

## Quality Parts

OS 2.0

Valid for machine number..... 401250AA-

Only valid for machine number..... 

--	--	--	--	--	--	--	--	--

Ordering number ..... 180138

Date ..... 2000-12-05

Language..... GB SE DE FR / ITS / ESIF

CLICK HERE TO **DOWNLOAD** THE COMPLETE MANUAL

- Thank you very much for reading the preview of the manual.
- You can download the complete manual from: [www.heydownloads.com](http://www.heydownloads.com) by clicking the link below



- Please note: If there is no response to CLICKING the link, please download this PDF first and then click on it.

CLICK HERE TO **DOWNLOAD** THE COMPLETE MANUAL



**0390-085 Battery compartment parts**

[2000-05-16]

Batteriutrymmesdelar; Batterieraumteile; Pièce de compartiment batterie

			345 OS 2.0	361605 -
Pos	Description	Pcs	Part No	Note
11	<b>Screw</b> Skruv; Schraube; Vis	1	20192	
12	<b>Washer</b> Bricka; Scheibe; Rondelle	1	20404	
13	<b>Hook</b> Hake; Haken; Crochet	1	173150-001	L = 240 mm
13	<b>Hook</b> Hake; Haken; Crochet	1	173150-002	L = 310 mm
13	<b>Hook</b> Hake; Haken; Crochet	1	173150-003	L = 380 mm
14	<b>Bush</b> Bussning; Bague; Bague	1	173149	
15	<b>Ring</b> Ring; Ring; Bague	1	173444	
16	<b>Bracket</b> Fäste; Halterung; Support	1	173147-002	
17	<b>Screw</b> Skruv; Schraube; Vis	4	21141	
18	<b>Washer</b> Bricka; Scheibe; Rondelle	12	22553	
19	<b>Plate</b> Plåt; Platte; Plaque	1	173445	
20	<b>Screw</b> Skruv; Schraube; Vis	2	20074	
21	<b>Nut</b> Mutter; Mutter; Ecrou	2	20016	
22	<b>Consol</b> Konsol; Konsole; Console	1	173145-001	A = 243 mm
22	<b>Consol</b> Konsol; Konsole; Console	1	173145-002	A = 313 mm
22	<b>Consol</b> Konsol; Konsole; Console	1	173145-003	A = 383 mm
23	<b>Washer</b> Bricka; Scheibe; Rondelle	3	20348	
24	<b>Screw</b> Skruv; Schraube; Vis	1	20439	B = 16 mm
24	<b>Screw</b> Skruv; Schraube; Vis	1	23932	B = 50 mm
25	<b>Screw</b> Skruv; Schraube; Vis	2	20074	
26	<b>Nut</b> Mutter; Mutter; Ecrou	2	20016	
27	<b>Distance piece</b> Distans; Distanz; Distance	1	171157	
28	<b>Damper</b> Dämpare; Dämpfer; Attenteur	1	171158	
29	<b>Roller(Complete)</b> Rulle(Komplett); Rolle(Komplett); Roleau(Complet)	10	163259-014	



**2550-029 Mechanical drive gear unit**

[1999-08-25]

Drivaggregat/-växel; Antriebsaggregat/-getriebe; Groupe de traction, réducteur

Steering arm without servo, Steering wheel system; Manöverarmsstyrning utan servo, Rattstyrning; Steuerarm ohne servo, Lenkrad steuerung; Bras de manoeuvre sans servo, Volant de direction		345 OS 2.0	346578 -	
Pos	Description	Pcs	Part No	Note
01	Driving gear compl. Drivväxel kompl.; Antriebsatz kompl.; Groupe de entraînement compl.	1	139715	
11	Nut Mutter; Mutter; Ecrou	1	139713	
12	Washer Bricka; Scheibe; Rondelle	1	20013	
13	Gear wheel Kuggghjul; Zahnrad; Roue dentée	1	139710	
14	Roller bearing Rullager; Rollenlager; Palier à rouleaux	1	27208	
15	Screw Skruv; Schraube; Vis	2	28343	
16	Shim(0,05 mm) Shims; Schim; Cale		140100-001	
16	Shim(0,2 mm) Shims; Schim; Cale		140100-003	
16	Shim(0,3 mm) Shims; Schim; Cale		140100-004	
16	Shim(0,5 mm) Shims; Schim; Cale		140100-005	
16	Shim(1 mm) Shims; Schim; Cale		140100-006	
17	Shim(0,05 mm) Shims; Schim; Cale		140102-001	
17	Shim(0,1mm) Shims; Schim; Cale		140102-002	
17	Shim(0,2 mm) Shims; Schim; Cale		140102-003	
17	Shim(0,3 mm) Shims; Schim; Cale		140102-004	
17	Shim(0,5 mm) Shims; Schim; Cale		140102-005	
17	Shim(1 mm) Shims; Schim; Cale		140102-006	
18	Bearing Lager; Lager; Roulement	1	29569	
19	O-ring O-ring; O-ring; Joint torique	1	23620	
20	Spare part kit : Bevel gear Reservdelssats : Koniskt kuggghjul; Satz : Kegelrad; Jeux : Roue conique à denture droite	1	142932	
21	Washer Bricka; Scheibe; Rondelle	1	140097	
22	Nut Mutter; Mutter; Ecrou	1	139714	
23	Cap Lock; Deckel; Couvercle	1	139705	
24	Screw Skruv; Schraube; Vis	6	21141	
25	Bearing Lager; Lager; Roulement	1	29570	
26	Gear housing Växelhus; Getriebhäuse; Carter étauche	1	139700	
27	Bearing Lager; Lager; Roulement	1	26312	
28	Shim(0,05 mm) Shims; Schim; Cale		140101-001	
28	Shim(0,1mm) Shims; Schim; Cale		140101-002	

**3180-009 Electrically controlled travel brake**

[2000-05-08]

El.reglerad färdbröms; Elektrisch geregelte Betriebsbremse; Frein de route électrique

		345 OS 2.0		361605 -	
Pos	Description	Pcs	Part No	Note	
11	<b>Brake compl.</b> Broms kompl.; Brems Kompl.; Frein compl.	1	171520		
12	<b>Spring</b> Fjäder; Feder; Ressort	1	158880		
13	<b>Screw</b> Skruv; Schraube; Vis	3	24352		
14	<b>Spring</b> Fjäder; Feder; Ressort	4	173611		
15	<b>Sleeve</b> Hylsa; Hülse; Douille	3	158882		
16	<b>Brake disc</b> Bromsskiva; Innenlamelle; Disque de freinage	1	173612		
17	<b>Hub</b> Nav; Nabe; Moyeu	1	150853		
18	<b>Plate</b> Plåt; Platte; Plaque	1	142542		
19	<b>Screw</b> Skruv; Schraube; Vis	4	21141		
20	<b>Plate</b> Plåt; Platte; Plaque	1	140578		
21	<b>Locking ring</b> Spårring; Schliessring; Circlip	2	20043		
22	<b>Packing</b> Packning; Packung; Étanchage	1	145054		



CLICK HERE TO **DOWNLOAD** THE COMPLETE MANUAL

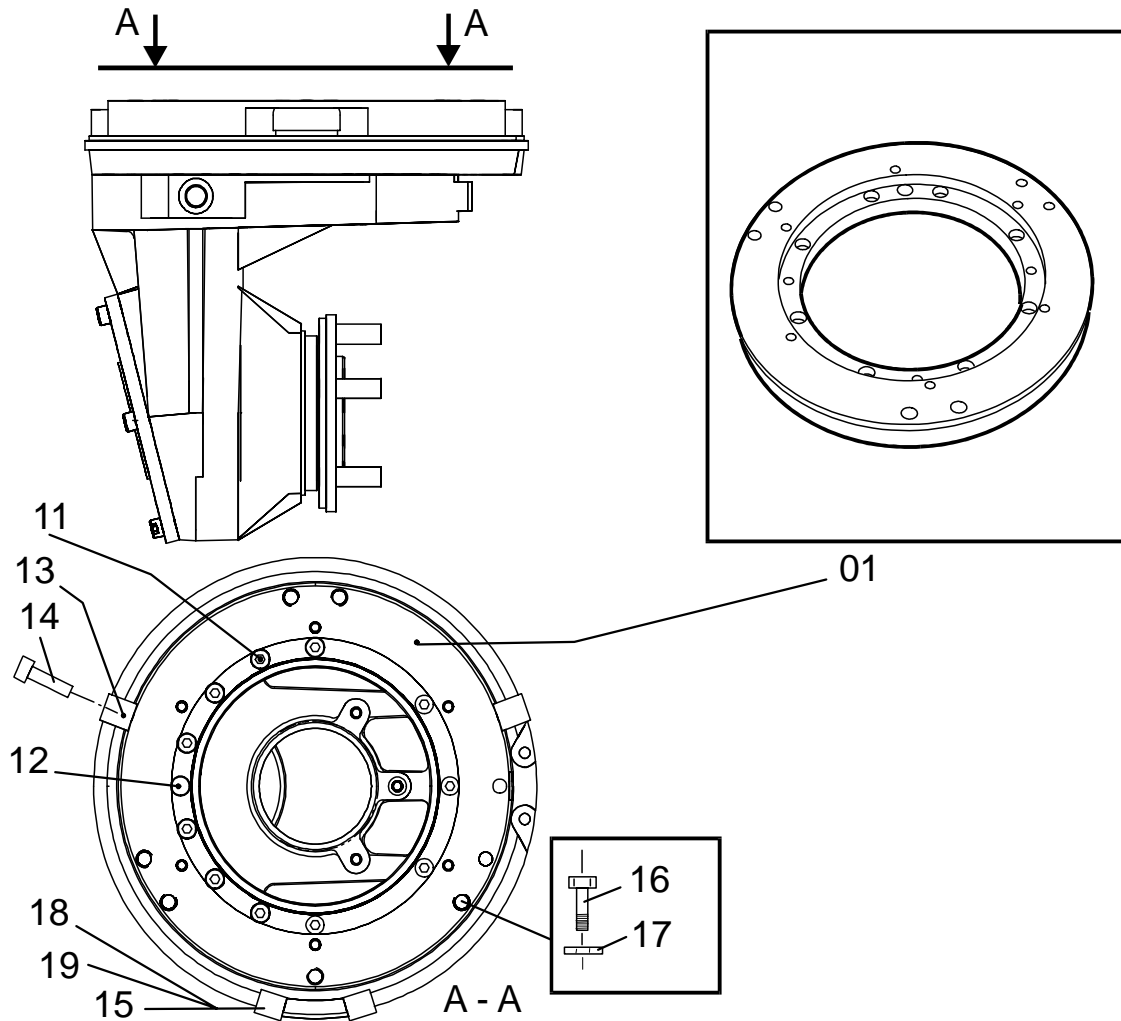
- Thank you very much for reading the preview of the manual.
- You can download the complete manual from: [www.heydownloads.com](http://www.heydownloads.com) by clicking the link below



- Please note: If there is no response to CLICKING the link, please download this PDF first and then click on it.

CLICK HERE TO **DOWNLOAD** THE COMPLETE MANUAL

## 4180-014



## 4180-014 Steering bearings, radial bearing

[2000-05-18]

Styrlagring/-krans ; Führungslagerung, Lenkkranz; Paliers de direction, paliers radials

Steering arm without servo, Steering wheel system; Manöverarmsstyrning utan servo, Rattstyrning; Steuerarm ohne servo, Lenkrad steuerung; Bras de manoeuvre sans servo, Volant de direction		345	OS 2.0	336996 -
Pos	Description	Pcs	Part No	Note
01	Bearing complete Lager komplett; Lager komplett; Roulement complete	1	156740	
11	Screw Skruv; Schraube; Vis	8	20192	
12	Air bleeder Luftventil; Luftnippel; Soupape ( air )	1	27211	
13	Stopper Stoppaordning; Abstellvorrichtung; Dispositif d'arrêt	2	141235	
14	Screw Skruv; Schraube; Vis	2	20192	
15	Buffer Buffert; Puffer; Atténateur	2	170153	
16	Screw Skruv; Schraube; Vis	6	26618	
17	Washer Bricka; Scheibe; Rondelle	6	21394	
18	Washer Bricka; Scheibe; Rondelle	2	22474	
19	Cylinder pin Cylindrisk pinne; Zylinderstift; Goupille cylindre	2	29425	

**5200-009 Instrument panel, display**

[1999-04-07]

Instrumentpanel, display; Instrumentpanel, Display; Tableau de bord, afficheur

Inching speed; Krypfast; Kriechgeschwindigkeit; Vitesse de fluage		345 OS 2.0		336996 -
Pos	Description	Pcs	Part No	Note
11	<b>Box, set(Complete)</b> Låda, sats(Komplett); Büchse, satz(Komplett); Boite, jeux(Complett)	1	157164-001	Pos. = 13, 14, 15, 17, 18, 19, 23, 24
11	<b>Box, set(Complete)</b> Låda, sats(Komplett); Büchse, satz(Komplett); Boite, jeux(Complett)	1	157164-002	Pos. = 13, 14, 15, 17, 18, 19, 20, 21, 22, 25
11	<b>Box, set(Complete)</b> Låda, sats(Komplett); Büchse, satz(Komplett); Boite, jeux(Complett)	1	157164-003	Pos. = 13, 14, 15, 17, 18, 19, 20, 21, 22, 24
12	<b>Box, set(Complete)</b> Låda, sats(Komplett); Büchse, satz(Komplett); Boite, jeux(Complett)	1	157165-001	Pos. = 13, 14, 15, 17, 18, 19, 23, 24
12	<b>Box, set(Complete)</b> Låda, sats(Komplett); Büchse, satz(Komplett); Boite, jeux(Complett)	1	157165-002	Pos. = 13, 14, 15, 17, 18, 19, 20, 21, 22, 25
12	<b>Box, set(Complete)</b> Låda, sats(Komplett); Büchse, satz(Komplett); Boite, jeux(Complett)	1	157165-003	Pos. = 13, 14, 15, 17, 18, 19, 20, 21, 22, 24
13	<b>Screw</b> Skruv; Schraube; Vis	2	28545	
14	<b>Push-button(Red)</b> Tryckknapp(Röd); Druckknopf(Rot); Bouton(Rouge)	1	155567	
15	<b>Contact device</b> Kontaktblock; Kontakteinheit; Unite de contact	1	155568	
17	<b>Bracket</b> Fäste; Halterung; Support	1	150490	
18	<b>Guide</b> Genomföring; Durgführung; Guide	1	21312	
19	<b>Cap</b> Lock; Deckel; Couvercle	1	150489	
20	<b>Sign</b> Skylt; Schild; Vignette	1	71573	
21	<b>Switch(Complete)</b> Brytare(Komplett); Schalter(Komplett); Rupteur(Complett)	1	132573	
22	<b>Symbol plate</b> Symbolplatta; Zeichenplatte; Plaque de symbole	1	132575-004	
23	<b>Cap</b> Lock; Deckel; Couvercle	1	132577	
24	<b>Push-button switch(Complete)</b> Tryckknappsbrytare(Komplett); Druckknopfschalter(Komplett); Bouton rupteur(Complett)	2	146151	
25	<b>Plug</b> Plugg; Pfropf; Bouchon	2	139240-300	
26	<b>Push-button</b> Tryckknapp; Druckknopf; Bouton	2	153195	
27	<b>Contact device</b> Kontaktblock; Kontakteinheit; Unite de contact	2	153196	

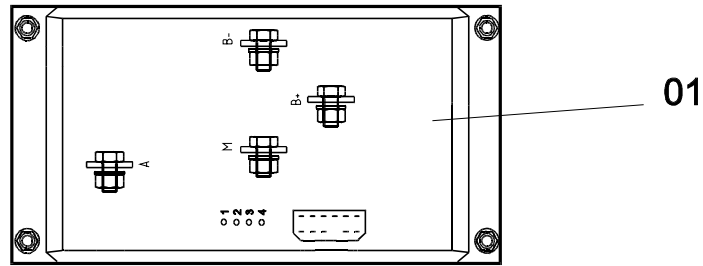
## 5330-027 Speed control

[1998-08-26]

Fartreglering; Geschwindigkeitsreglung; Régulation de vitesse

		345 OS 2.0		325962 -
Pos	Description	Pcs	Part No	Note
02	Micro switch Mikrobrytare; Mikroschalter; Interrupteurs	2	152321	Cold stores Fryshus; Gefrieranlage; Chambre frigorifique
02	Micro switch Mikrobrytare; Mikroschalter; Interrupteurs	2	156279	Standard design Standardutförande; Normalaus-rüstung
03	Operating device Manöverdon; Steuerungsvorrichtung; Bras de commande	2	156919	Cold stores Fryshus; Gefrieranlage; Chambre frigorifique
13	Screw Skruv; Schraube; Vis	2	20720	
14	Bracket Fäste; Halterung; Support	2	134065	
15	Screw Skruv; Schraube; Vis	2	21134	
18	Washer Bricka; Scheibe; Rondelle	2	21392	
19	Nut Mutter; Mutter; Ecrou	2	20255	
20	Screw Skruv; Schraube; Vis	2	24354	
22	Washer Bricka; Scheibe; Rondelle	2	20236	
23	Nut Mutter; Mutter; Ecrou	2	20235	
25	Potentiometer(Complete) Potentiometer(Komplett); Potentiometer(Komplett); Potentiometre(Com-plet)	1	166303	
26	Heater(With wiring harness) Värmare(Med kablage); Heizer(Mit Kabelsatz); Calorie(Avec Câblage)	2	153396	Cold stores Fryshus; Gefrieranlage; Chambre frigorifique

5460-015



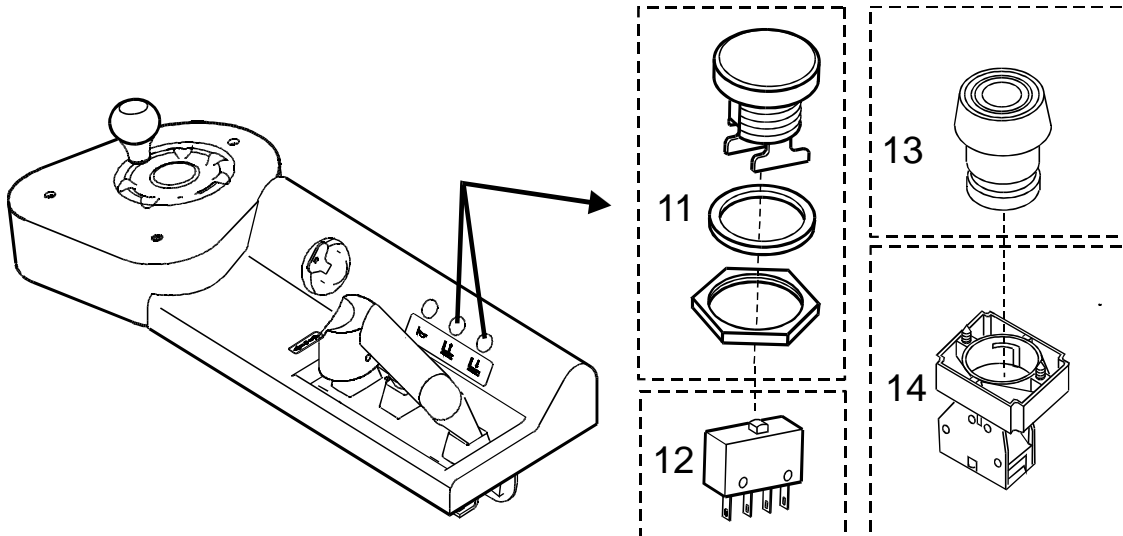
5460-015 Transistor panel

[1996-08-12]

Transistorpanel ; Transistorpanel; Panneau transistor

		345 OS 2.0		275189 -
Pos	Description	Pcs	Part No	Note
01	Transistor controller Transistorregulator; Transistorregulator; Regulateur des transistors	1	149194-003	

5510-017



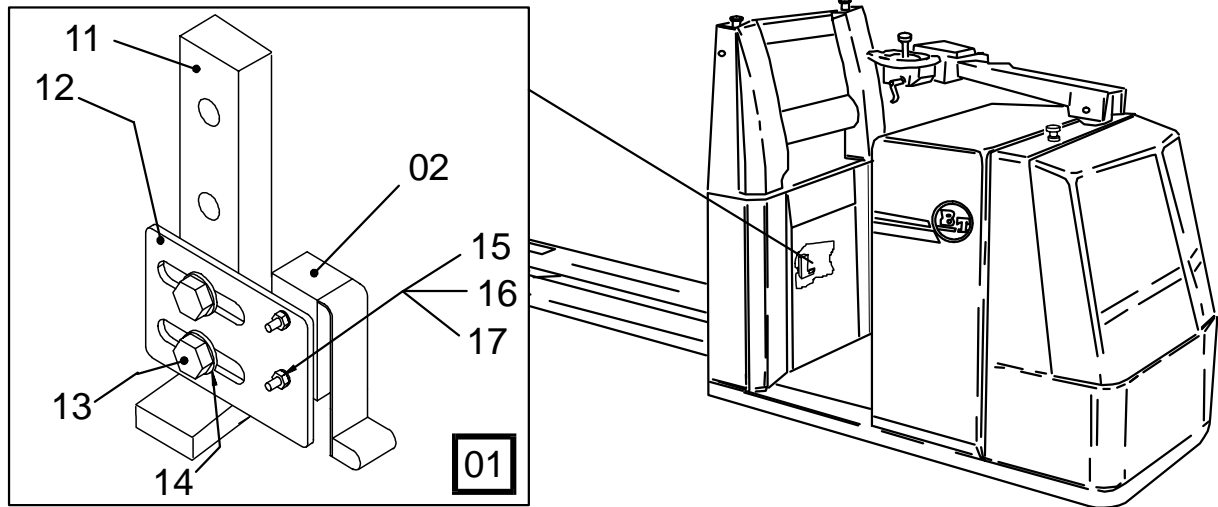
5510-017 Work function micro switches, potentiometers

[1996-09-10]

Arbetsfunktionsbrytare/-potentiometer; Schalter/Potentiometer Arbeitsfunktion; Rupteurs (switches)/ potentiomètres

		345 OS 2.0		289679 -
Pos	Description	Pcs	Part No	Note
11	Push-button Tryckknapp; Druckknopf; Bouton	2	151221	
12	Micro switch Mikrobrytare; Mikroschalter; Interrupteurs	2	149794	
13	Push-button Tryckknapp; Druckknopf; Bouton	2	28235	Cold stores Fryshus; Gefrieranlage; Chambre frigorifique
14	Contact device Kontaktblock; Kontakteinheit; Unite de contact	2	25624	Cold stores Fryshus; Gefrieranlage; Chambre frigorifique

## 5820-011



## 5820-011 Lift/lowering/reach movement probes/sensors

[1999-04-06]

Lyft-/sänk-/skjutrörelse-givare/-sensor; Hub-/Senk-/Schubgeber/-sensor; Capteurs de levage/descente/rétraction

			345 OS 2.0	336996 -
Pos	Description	Pcs	Part No	Note
01	Limit switch(Complete) Gränslägesbrytare(Komplett); Grenzschalter(Komplett); Limiteur de course(Complett)	1	143559	
02	Micro switch Mikrobrytare; Mikroschalter; Interrupteurs	1	21811	
11	Bracket Fäste; Halterung; Support	1	148146	
12	Bracket Fäste; Halterung; Support	1	145314	
13	Screw Skruv; Schraube; Vis	2	20031	
14	Washer Bricka; Scheibe; Rondelle	2	20404	
15	Screw Skruv; Schraube; Vis	2	20720	
16	Washer Bricka; Scheibe; Rondelle	2	22417	
17	Nut Mutter; Mutter; Erou	2	20255	

**6230-010 Hydraulic lines chassis**

[1999-04-07]

Chassimonterade hydraulledningar; Hydraulikleitungen Chassis; Circuits hydrauliques châssis

Driver lift; Förarlyft; Aufheben Führer; Radeau de soulèvement, conducteur		345 OS 2.0	336996 -	
Pos	Description	Pcs	Part No	Note
11	Hollow screw Hålskruv; Hohlschraube; Vis à torage	2	29661	
12	Washer(Copper) Bricka(Koppar); Scheibe(Kupfer); Rondelle(Cuivre)	4	25996	
13	Hose Slang; Schlauch; Tuyau flexible	1	145039	
14	Connection Koppling; Kupplung; Raccord	1	28777	
15	Hose Slang; Schlauch; Tuyau flexible	1	135298	
16	Hose Slang; Schlauch; Tuyau flexible	1	135679	
17	Connection Koppling; Kupplung; Raccord	1	28943	
19	Hose Slang; Schlauch; Tuyau flexible	1	143754	
20	Connection Koppling; Kupplung; Raccord	1	28943	
21	Washer Bricka; Scheibe; Rondelle	1	149545	
23	Bracket Fäste; Halterung; Support	4	129399	
24	Screw Skruv; Schraube; Vis	4	27565	
25	Clamp Klamma; Rohrschelle; Collier	6	20942	

## 9420-016 Truck log device, code locking device

[2000-10-03]

Truck logg utrustn., kodlås; Truck Log System, Codesperre; Système Optigest, verrouillage (blocage)  
code

Truck log, EV1		345	OS 2.0	401250 -
Pos	Description	Pcs	Part No	Note
11	EV1(Kit) EV1(Sats); EV1(satz); EV1(Jeux)	1	179734	Steering arm Manöverarmsstyrning; Steuerarm; Bras de manoeuvre
11	EV1(Kit) EV1(Sats); EV1(satz); EV1(Jeux)	1	179735	Steering arm, cold store Manöverarmsstyrning, fryshus; Steuerarm, Gefrieranlage; Bras de manoeuvre, chambre frigorifique
11	EV1(Kit) EV1(Sats); EV1(satz); EV1(Jeux)	1	179830	Steering wheel system Rattstyrning; Lenkrad steuerung; Volant de direction
11	EV1(Kit) EV1(Sats); EV1(satz); EV1(Jeux)	1	179831	Steering wheel system, cold store Rattstyrning, fryshus; Lenkrad steuerung, Gefrieranlage; Volant de direction, chambre frigorifique
12	Keypad(With wiring harness) Tangentbord(Med kablage); Tastatur(Mit Kabelsatz); Tablette à clefs(Avec Câblage)	1	179337	Cold stores Fryshus; Gefrieranlage; Chambre frigorifique
12	Keypad(With wiring harness) Tangentbord(Med kablage); Tastatur(Mit Kabelsatz); Tablette à clefs(Avec Câblage)	1	179442	
13	Keypad Tangentbord; Tastatur; Tablette à clefs	1	179353	Cold stores Fryshus; Gefrieranlage; Chambre frigorifique
13	Keypad Tangentbord; Tastatur; Tablette à clefs	1	179355	
14	Wiring harness Kablage; Kabelsatz; Câblage	1	179441	
15	Bracket Fäste; Halterung; Support	1	179614	
16	Screw Skruv; Schraube; Vis	4	24354	
17	Screw Skruv; Schraube; Vis	4	29810	
18	Nut Mutter; Mutter; Ecrou	4	20016	
20	Wiring harness Kablage; Kabelsatz; Câblage	1	179494	Steering wheel system Rattstyrning; Lenkrad steuerung; Volant de direction
20	Wiring harness Kablage; Kabelsatz; Câblage	1	179806	Steering arm Manöverarmsstyrning; Steuerarm; Bras de manoeuvre
21	Fuse holder Säkringshållare; Sicherungshalter; Porte-fusibles	2	135421	
22	Fuse(3A) Säkring; Sicherung; Fusible	2	122308-030	
23	Relay socket Reläsocket; Relais Fassung; Support de relais	1	179322	
24	Relay Relä; Relais; Relais	1	179321-024	
25	Screw Skruv; Schraube; Vis	1	22334	
26	Temperature regulator Termostat; Thermostat; Régulateur de température	1	179775	Cold stores Fryshus; Gefrieranlage; Chambre frigorifique
27	Nit Nit; Niet; Rivet	1	28959	
28	Bracket Fäste; Halterung; Support	1	135422	
29	Washer Bricka; Scheibe; Rondelle	1	21392	
30	Nut Mutter; Mutter; Ecrou	1	20255	

CLICK HERE TO **DOWNLOAD** THE COMPLETE MANUAL

- Thank you very much for reading the preview of the manual.
- You can download the complete manual from: [www.heydownloads.com](http://www.heydownloads.com) by clicking the link below



- Please note: If there is no response to CLICKING the link, please download this PDF first and then click on it.

CLICK HERE TO **DOWNLOAD** THE COMPLETE MANUAL