

Quality Parts

OS 1.0

Valid for machine number..... 262700AA-268926AA

Only valid for machine number.....

--	--	--	--	--	--	--	--	--

Ordering number 145514

Date 1995-03-23 / ITS / ESIF

Language..... GB; SE; DE; FR

CLICK HERE TO **DOWNLOAD** THE COMPLETE MANUAL

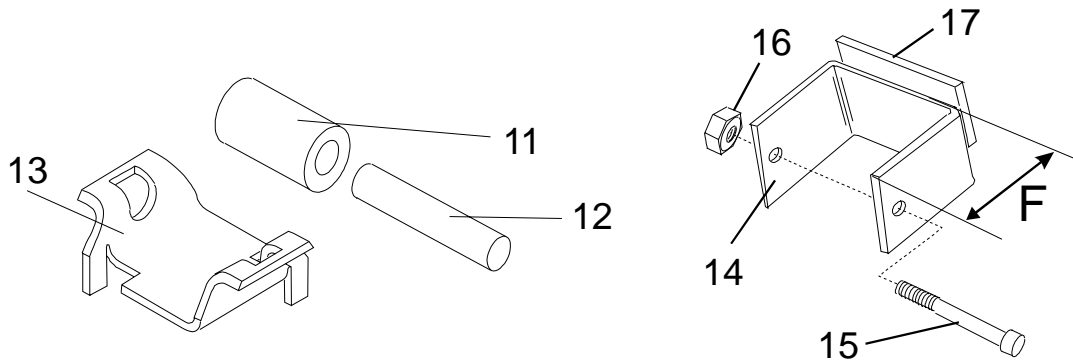
- Thank you very much for reading the preview of the manual.
- You can download the complete manual from: www.heydownloads.com by clicking the link below



- Please note: If there is no response to CLICKING the link, please download this PDF first and then click on it.

CLICK HERE TO **DOWNLOAD** THE COMPLETE MANUAL

0390-006



0390-006 Battery compartment parts

[1994-09-14]

Batteriutrymmesdelar; Batterieraumteile; Pièce de compartiment batterie

			348 OS 1.0	262700 - 275188
Pos	Description	Pcs	Part No	Note
11	Roller Rulle; Rolle; Roleau	8	138553	
12	Axle Axel; Achse; Axe	8	142596	
13	Bracket Fäste; Halterung; Support	8	138542	
14	Distance piece(F = 55 mm) Distans; Distanz; Distance	1	142107-001	F = 55 mm
14	Distance piece(F = 89 mm) Distans; Distanz; Distance	1	142107-002	F = 89 mm
14	Distance piece(F = 128 mm) Distans; Distanz; Distance	1	142107-003	F = 128 mm
15	Screw Skruv; Schraube; Vis	2	22638	
16	Nut Mutter; Mutter; Ecrou	2	20016	
17	Buffer Buffert; Puffer; Atténateur	1	143546	

1700-005 Electric drive motor

[1995-04-27]

Elektrisk åkmotor; Elektro-Fahrmotor; Moteur de traction électrique

		348 OS 1.0		262700 - 275188	
Pos	Description	Pcs	Part No	Note	
01	Motor(Complete) Motor(Komplett); Motor(Komplett); Moteur(Complet)	1	140324		
02	Carbon brush Kolborste; Kohlebürste; Charbon	4	143826		
03	Brush bridge(Complete) Borstbrygga(Komplett); Bürstenbrücke(Komplett); Support de porte balais(Complet)	1	143820		
09	Rotor Rotor; Rotor; Rotor	1	143815		
10	Stator Stator; Ständer; Stator	1	143816		
11	Key Kil; Keil; Clavette	1	21132		
12	Screw Skruv; Schraube; Vis	4	20219		
13	Locking ring Spärring; Schliessring; Circlip	2	29515		
14	Ball bearing Kullager; Kugellager; Roulement a billes	1	28885		
15	Ring Ring; Ring; Bague	1	143821		
16	End shield Lagersköld; Lagerschild; Bouclier	1	143819		
17	Screw Skruv; Schraube; Vis	8	20831		
18	Spring Fjäder; Feder; Ressort	8	143814		
19	Screw Skruv; Schraube; Vis	8	25064		
20	Washer Bricka; Scheibe; Rondelle	8	21307		
21	Screw Skruv; Schraube; Vis	6	20743		
22	Fan Fläkt; Kühlgebläse; Ventilateur	1	143817		
23	Expanding sleeve Spännbussning; Dehningshülse; Douille expansion	1	143813		
24	Sealing Tätning; Dichtung; Joint	1	28884		
25	Locking ring Spärring; Schliessring; Circlip	1	20923		
26	Key Kil; Keil; Clavette	1	20150		
27	Ball bearing Kullager; Kugellager; Roulement a billes	1	26102		
28	Locking ring Spärring; Schliessring; Circlip	1	20019		
29	End shield Lagersköld; Lagerschild; Bouclier	1	143818		
30	O-ring O-ring; O-ring; Joint torique	1	29453		

Quality Parts

3540-004

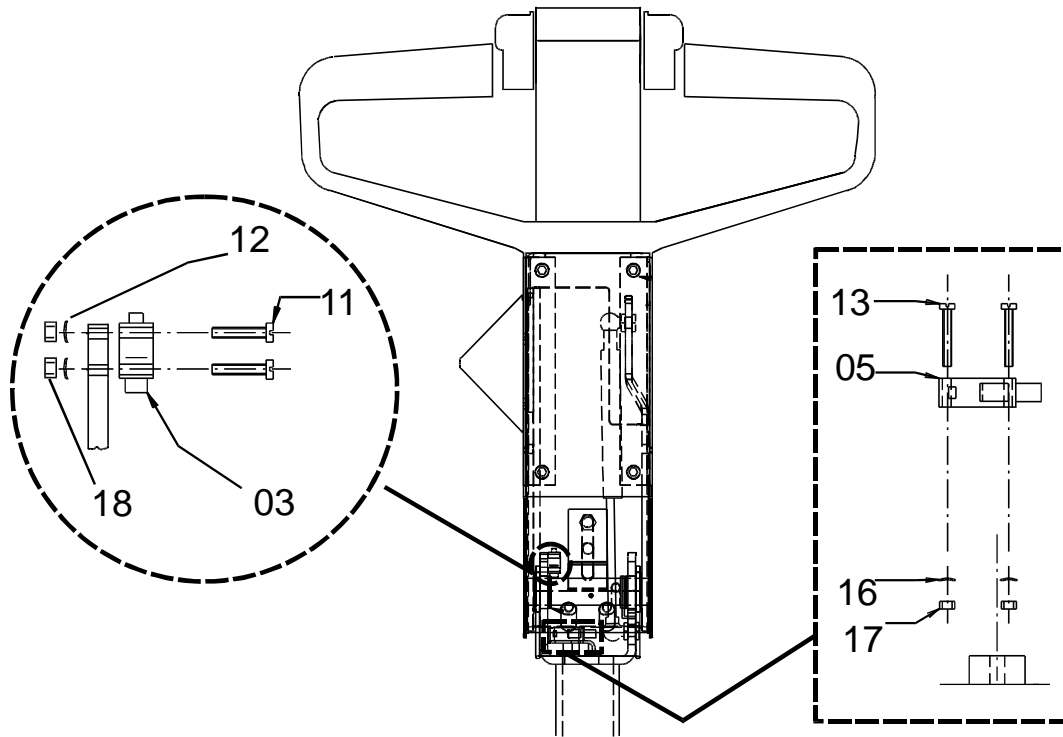
Pos	Description	Pcs	Part No	Note
26	Screw Skruv; Schraube; Vis	4	20338	
27	Washer Bricka; Scheibe; Rondelle	4	126723-006	

Quality Parts

4110-007

Pos	Description	Pcs	Part No	Note
61	Locking ring Spårring; Schliessring; Circlip	1	21439	
62	Washer Bricka; Scheibe; Rondelle	3	20404	
63	Axle Axel; Achse; Axe	2	142224	
64	Nut Mutter; Mutter; Ecrou	2	21110	
65	Locking ring Spårring; Schliessring; Circlip	1	20885	
66	Washer Bricka; Scheibe; Rondelle	2	20404	
67	Bracket Fäste; Halterung; Support	1	142221	
68	Locking pin Spännstift; Spannstift; Goupille	1	20189	
69	Axle Axel; Achse; Axe	1	138444	
70	Bush Bussning; Bague; Bague	2	140177	
71	Bush Bussning; Bague; Bague	1	142834	
72	Handle Handtag; Handgriff; Poignée.	1	143486	
73	Wire(S = 389 mm) Wire; Drahtseil; Filament	1	143488-001	
73	Wire(S = 529 mm) Wire; Drahtseil; Filament	1	143488-002	
74	Push-button Tryckknapp; Druckknopf; Bouton	1	142830	
75	Spring Fjäder; Feder; Ressort	4	27309	
76	Consol Konsol; Konsole; Console	1	109850	
77	Cover(Left steering wheel) Huv(Vänster ratt); Haube(Links lenkrad); Capot(Gauge volant)	1	142820	
77	Cover(Right steering wheel) Huv(Höger ratt); Haube(Recht Lenkrad); Capot(Droit volant)	1	142821	
78	Cover(Left steering wheel) Huv(Vänster ratt); Haube(Links lenkrad); Capot(Gauge volant)	1	142822	
78	Cover(Right steering wheel) Huv(Höger ratt); Haube(Recht Lenkrad); Capot(Droit volant)	1	142823	
79	Nut Mutter; Mutter; Ecrou	4	25437	
80	Screw Skruv; Schraube; Vis	4	28545	
81	Screw Skruv; Schraube; Vis	4	21424	
82	Nut Mutter; Mutter; Ecrou	4	20081	
83	Arm Arm; Arm; Bras	1	146234	
84	Bracket Fäste; Halterung; Support	1	146233	

5310-008

**5310-008 Start/stop switch**

[1996-09-09]

Start/stopströmställare; Schalter Fahren/Anhalten; Interrupteur (coupe-circuit) démarrage/arrêt

Pos	Description	Pcs	Part No	Note
			348 OS 1.0	262700 - 268926
03	Switch Brytare; Schalter; Rupteur	1	143171	
03	Switch(Cold stores) Brytare(Fryshus); Schalter(Gefrieranlage); Rupteur(Chambre frigorifique)	1	148039	
05	Switch Brytare; Schalter; Rupteur	1	143171	
05	Switch(Cold stores) Brytare(Fryshus); Schalter(Gefrieranlage); Rupteur(Chambre frigorifique)	1	148039	
11	Screw Skruv; Schraube; Vis	2	22256	
12	Washer Bricka; Scheibe; Rondelle	2	21392	
13	Screw Skruv; Schraube; Vis	2	21438	
16	Washer Bricka; Scheibe; Rondelle	2	21392	
17	Nut Mutter; Mutter; Erou	2	20255	
18	Nut Mutter; Mutter; Erou	2	20255	

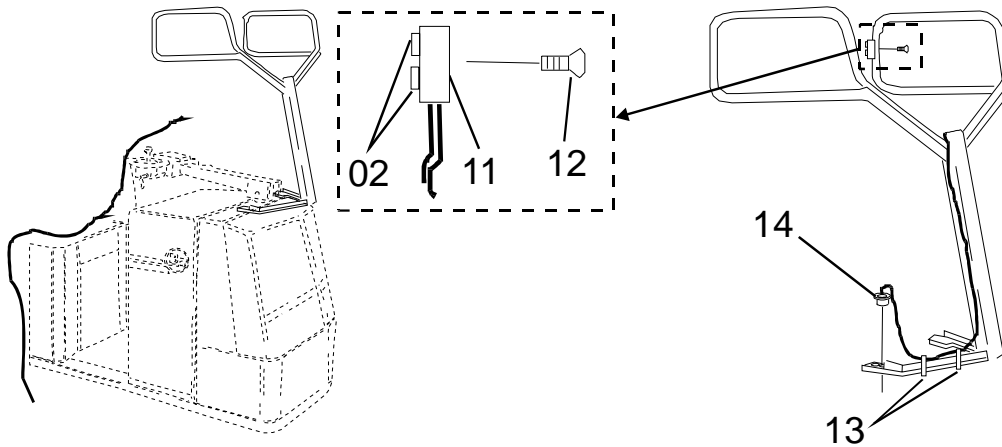
5390-014 Driving function harnesses/ fuse

[1995-03-07]

Åkfunktionskablage/-säkring; Verkabelung, Sicherung Fahrfunktion; Câblage/ fusible fonction de déplacement

			348 OS 1.0	262700 - 275188
Pos	Description	Pcs	Part No	Note
11	Wiring harness Kablage; Kabelsatz; Câblage	1	142570	Steering arm Manöverarmsstyrning; Steuerarm; Bras de manoeuvre
11	Wiring harness(Cold stores) Kablage(Fryshus); Kabelsatz(Gefrieranlage); Câblage(Chambre frigorifique)	1	147953	Steering arm Manöverarmsstyrning; Steuerarm; Bras de manoeuvre
12	Wiring harness Kablage; Kabelsatz; Câblage	1	142571	Steering wheel Ratt; lenkrad; Volant
12	Wiring harness(Cold stores) Kablage(Fryshus); Kabelsatz(Gefrieranlage); Câblage(Chambre frigorifique)	1	147954	Steering wheel Ratt; lenkrad; Volant
13	Wiring harness Kablage; Kabelsatz; Câblage	1	143694	Steering wheel Ratt; lenkrad; Volant
14	Wiring harness Kablage; Kabelsatz; Câblage	1	143695	Steering arm Manöverarmsstyrning; Steuerarm; Bras de manoeuvre
15	Wiring harness Kablage; Kabelsatz; Câblage	1	145993	
16	Wiring harness Kablage; Kabelsatz; Câblage	1	145992	
17	Screw Skruv; Schraube; Vis	8	27500	
18	Insulator Isolator; Isolator; Isolateur	4	65183	
19	Fuse(125 A) Säkring; Sicherung; Fusible	1	29584	
20	Fuse(100A) Säkring; Sicherung; Fusible	1	29228	
21	Washer Bricka; Scheibe; Rondelle	4	21393	
22	Nut Mutter; Mutter; Ecrou	4	20045	
23	Washer Bricka; Scheibe; Rondelle	4	65184	
24	Clamp Klamma; Rohrschelle; Collier	3	20942	
25	Fuse(10A) Säkring; Sicherung; Fusible	1	122308-100	
26	Fuse(20A) Säkring; Sicherung; Fusible	1	122308-200	Steering wheel Ratt; lenkrad; Volant
27	Fuse holder Säkringshållare; Sicherungshalter; Porte-fusibles	1	135421	
28	Bracket Fäste; Halterung; Support	1	135422	
29	Nit Nit; Niet; Rivet	1	28959	
30	Screw Skruv; Schraube; Vis	4	29481	
31	Clamp Klamma; Rohrschelle; Collier	4	20942	
32	Bracket Fäste; Halterung; Support	4	129399	
33	Wiring harness Kablage; Kabelsatz; Câblage	1	145773	

5750-020



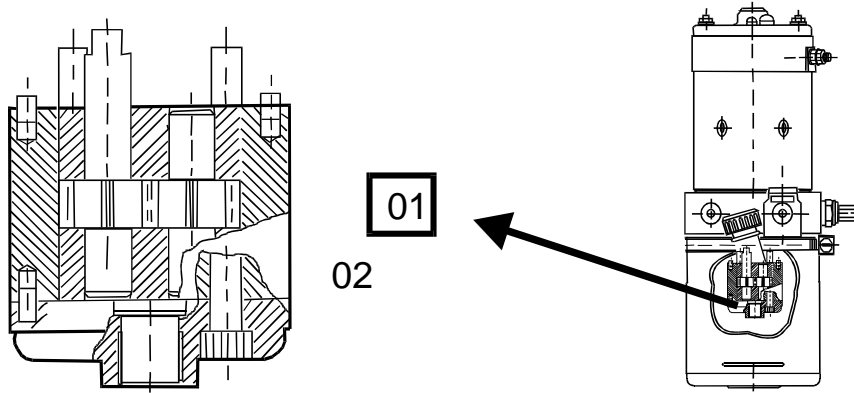
5750-020 Safety/ position probes/ sensors

[1995-03-21]

Skydds-/ läges-givare/-sensor; Schutz- / Positions-schalter/-geber; Emetteurs/capteurs (sondes) de sécurité/ position

Driver lift; Förarlyft; Aufheben Führer; Radeau de soulèvement, conducteur		348 OS 1.0	262700 - 282236	
Pos	Description	Pcs	Part No	Note
02	Push-button Tryckknapp; Druckknopf; Bouton	2	145383-001	
11	House. Hus; Haus.; Carter	1	142367	
12	Screw Skruv; Schraube; Vis	1	29737	
13	Clamp Klamma; Rohrschelle; Collier	2	20942	
14	Conduit entry Kabelgenomföring; Kabeldurchgang; Traversée de câble	1	134334	

6140-004



6140-004 Hydraulic pump

Hydraulpump; Hydraulikpumpe; Pompe hydraulique

[1996-09-09]

			348 OS 1.0	262700 - 361604
Pos	Description	Pcs	Part No	Note
01	Pump Pump; Pump; Pumpe	1	143377	
02	Sealing kit Tätningssats; Dichtungssatz; Jeux d'étanchéité	1	143378	

CLICK HERE TO **DOWNLOAD** THE COMPLETE MANUAL

- Thank you very much for reading the preview of the manual.
- You can download the complete manual from: www.heydownloads.com by clicking the link below



- Please note: If there is no response to CLICKING the link, please download this PDF first and then click on it.

CLICK HERE TO **DOWNLOAD** THE COMPLETE MANUAL