

Quality Parts

LT 2200

Valid for machine number..... 328787AA-

Only valid for machine number.....

--	--	--	--	--	--	--	--

Ordering number..... 170833

Date 1999-08-10 / ESDG

Language..... GB; SE; DE; FR

CLICK HERE TO **DOWNLOAD** THE COMPLETE MANUAL

- Thank you very much for reading the preview of the manual.
- You can download the complete manual from: www.heydownloads.com by clicking the link below



- Please note: If there is no response to CLICKING the link, please download this PDF first and then click on it.

CLICK HERE TO **DOWNLOAD** THE COMPLETE MANUAL

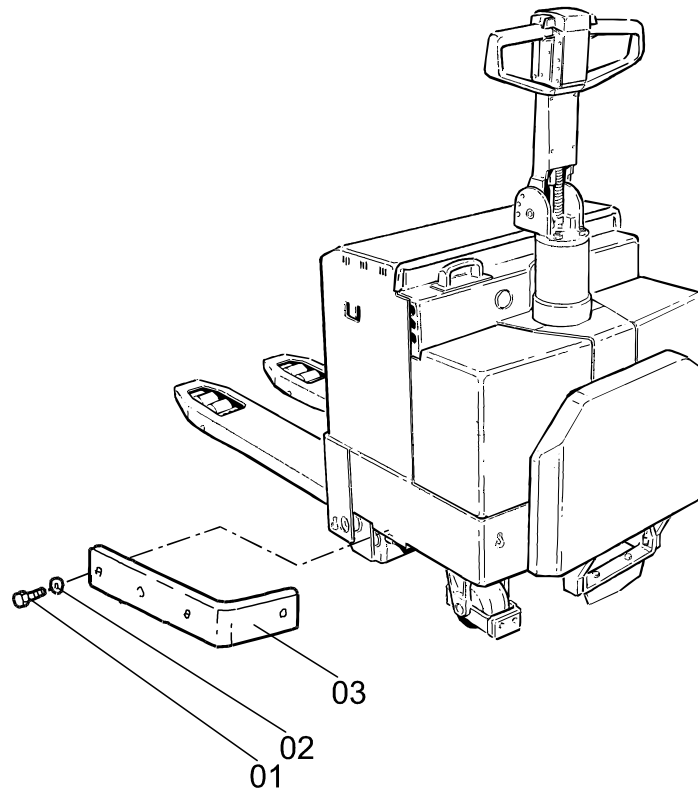
0380-048 Fork frame

[1998-05-12]

Gaffelstomme (Låglyftande); Gabelgeruest (Niederhubwagen); Tablier porte-fourch

Pos		Description	Pcs	Part No	Note
<i>Pressed fork; Bockad gaffel; Gepreßte Gabel; Appuyée fourchette</i>			184 288	LT2200-8 LT 2200	224036 - 224036 -
01	Link	Länk; Gelenk; Bras	2	109319	
02	Locking pin	Spännstift; Spannstift; Goupille	4	20014	
03	Washer	Bricka; Scheibe; Rondelle	4	20013	
04	Bush	Bussning; Bague; Bague	2	140173	
05	Sleeve	Hylsa; Hülse; Douille	2	134391	
06	Axle	Axel; Achse; Axe	2	125872	
06	Axle(Stainless Steel)	Axel(Rostfri); Achse(Nichtrostende); Axe(Inoxydable)	2	126936	
07	Bush	Bussning; Bague; Bague	4	140169	
12	Bush	Bussning; Bague; Bague	2	140171	
13	Axle(Stainless Steel)	Axel(Rostfri); Achse(Nichtrostende); Axe(Inoxydable)	2	130590	
13	Axle	Axel; Achse; Axe	2	132005	
14	Link	Länk; Gelenk; Bras	2	130587	
15	Link	Länk; Gelenk; Bras	2	130586	
16	Locking pin	Spännstift; Spannstift; Goupille	2	20014	
17	Axle	Axel; Achse; Axe	2	110723	
18	Locking pin	Spännstift; Spannstift; Goupille	2	22128	
19	Bush	Bussning; Bague; Bague	2	140173	
20	Bush	Bussning; Bague; Bague	2	140173	
21	Torsion tube(W= 570 mm)	Vridrör; Drehrohr; Levier de tringle	1	101117-001	
21	Torsion tube(W= 685 mm)	Vridrör; Drehrohr; Levier de tringle	1	101117-002	
21	Torsion tube(W= 450 mm)	Vridrör; Drehrohr; Levier de tringle	1	101117-003	
21	Torsion tube(W= 520 mm)	Vridrör; Drehrohr; Levier de tringle	1	101117-004	
22	Washer	Bricka; Scheibe; Rondelle	4	30410	
23	Axle	Axel; Achse; Axe	1	101112	
24	Locking pin	Spännstift; Spannstift; Goupille	1	20686	

0830-002

**0830-002 Collision bumpers**

Kollitionsbåge; Anfahrschutzbügel; Bouclier pare-choc

[1998-01-30]

Pos	Description	Pcs	Part No	Note
			184 LT2200-8 288 LT 2200	285755 - 285755 -
01	Screw Skruv; Schraube; Vis	8	29447	
02	Washer Bricka; Scheibe; Rondelle	8	20404	
03	Buffer(Steel) Buffert(Stål); Puffer(Stahl); Atténateur(Acier)	2	135246	
03	Buffer(Rubber) Buffert(Gummi); Puffer(Gummi); Atténateur(Gomme)	2	149714	

3540-021 Support/Swivel wheels

[1998-03-14]

Stöd-/länkhjul; Stützrad/Gelenkrolle; Roue pivotante

Pos	Description	Pcs	Part No	Note
			184 LT2200-8 288 LT 2200	271117 - 271117 -
01	Ball bearing Kullager; Kugellager; Roulement a billes	2	20908	
02	Ball bearing Kullager; Kugellager; Roulement a billes	2	22641	
03	Wheel fork Hjulgaffel; Radgabel; Fourche de roue	2	141654	
04	Washer Bricka; Scheibe; Rondelle	2	21394	
05	Nut Mutter; Mutter; Ecrou	2	20777	
06	Protection Skydd; Schutz; Protègege	4	138906	
07	Deflector Avisare; Abweiser; Borne	4	49751	
08	Screw Skruv; Schraube; Vis	8	139248	
09	Hub cap Navkapsel; Nabenkappe; Capot de moyeu	4	145982	
10	Washer Bricka; Scheibe; Rondelle	4	145983	
11	Bearing Lager; Lager; Roulement	4	28484	
12	Wheel(Vulkollan) Hjul; Rad; Roue	2	46106	
16	Distance tube Distanshylsa; Abstandhülse; Douille entretoise	2	30725	
17	Axle Axel; Achse; Axe	2	47751	
18	Screw Skruv; Schraube; Vis	2	21935	
19	Washer Bricka; Scheibe; Rondelle	2	21275	
20	Wheel complete(Vulkollan) Hjul komplett; Rad komplett; Roue complete	2	12252	

5310-025 Start/stop switch

[1998-02-03]

Start/stopströmställare; Schalter Fahren/Anhalten; Interrupteurs depart/arret

Pos	Description	Pcs	Part No	Note
			184 LT2200-8 288 LT 2200	271117 - 271117 -
01	Screw Skruv; Schraube; Vis	4	28835	Cold stores Fryshus; Gefrieranlage; Chambre frigorifique
02	Guide(Rubber) Genomföring(Gummi); Durcgführung(Gummi); Guide(Gomme)	1	22687	Cold stores Fryshus; Gefrieranlage; Chambre frigorifique
03	Cap Lock; Deckel; Couvercle	1	142934	Cold stores Fryshus; Gefrieranlage; Chambre frigorifique
04	Fitting Förskruvning; Verschraubung; Presse-étoupe	1	27659	Cold stores Fryshus; Gefrieranlage; Chambre frigorifique
05	Screw Skruv; Schraube; Vis	2	27872	Cold stores Fryshus; Gefrieranlage; Chambre frigorifique
06	Washer Bricka; Scheibe; Rondelle	2	21317	Cold stores Fryshus; Gefrieranlage; Chambre frigorifique
07	Switch Brytare; Schalter; Rupteur	1	26864	Cold stores Fryshus; Gefrieranlage; Chambre frigorifique
08	Screw Skruv; Schraube; Vis	2	28835	Cold stores Fryshus; Gefrieranlage; Chambre frigorifique
09	Washer Bricka; Scheibe; Rondelle	2	21317	Cold stores Fryshus; Gefrieranlage; Chambre frigorifique
10	Plate Plåt; Platte; Plaque	1	126088	Cold stores Fryshus; Gefrieranlage; Chambre frigorifique
11	Screw Skruv; Schraube; Vis	2	20250	Cold stores Fryshus; Gefrieranlage; Chambre frigorifique
12	Washer Bricka; Scheibe; Rondelle	2	21307	Cold stores Fryshus; Gefrieranlage; Chambre frigorifique
13	Cam Nock; Nocken; Came	1	130528	Cold stores Fryshus; Gefrieranlage; Chambre frigorifique
14	Screw Skruv; Schraube; Vis	2	22256	
15	Washer Bricka; Scheibe; Rondelle	2	21392	
16	Switch Brytare; Schalter; Rupteur	1	28441	
17	Bracket Fäste; Halterung; Support	1	134218	
18	Washer Bricka; Scheibe; Rondelle	2	21392	
19	Screw Skruv; Schraube; Vis	2	22256	
20	Ignition switch Startlås; Zündschloss; Contact-démarrreur	1	26701	8 km / h
20	Ignition switch Startlås; Zündschloss; Contact-démarrreur	1	28554	

5430-034 Drive motor cables/resistors/fuse

[1998-08-29]

Drivmotorkablar/-motstånd/-säkring; Fahrmotorkabel/-widwrstand/-sicherung; Câbles/résitances/fusible moteur de traction

<i>Resistance; Motstånd; Widerstand; Recistance</i>			184 LT2200-8 288 LT 2200	255134 - 255134 -
Pos	Description	Pcs	Part No	Note
01	Cable Kabel; Kabel; Câble	1	106080	
02	Battery connector with cable complete Batterihandske med kabel komplett; Stromstecker mit Kabel komplett; Connec- tion fiche avec câble complete	1	127879	
03	Cable Kabel; Kabel; Câble	1	164446	
04	Cable Kabel; Kabel; Câble	1	166493	
05	Cable Kabel; Kabel; Câble	1	106074	
06	Cable Kabel; Kabel; Câble	1	164445	
07	Cable Kabel; Kabel; Câble	1	106076	
08	Cable Kabel; Kabel; Câble	1	106077	
09	Cable Kabel; Kabel; Câble	1	118650	
10	Cable Kabel; Kabel; Câble	1	106078	
11	Cable Kabel; Kabel; Câble	1	157209	
12	Cable Kabel; Kabel; Câble	1	118649	
13	Cable Kabel; Kabel; Câble	1	106082	

5710-023 Logic card / box /combination

[1998-03-06]

Elektronikkort åkning/kombination; Steuerkarte (Fahren) /kombination; Boite / carte de logique /combination

<i>Resistance; Motstånd; Widerstand; Recistance</i>			184 LT2200-8 288 LT 2200	319125 - 319125 -
Pos	Description	Pcs	Part No	Note
01	Nut Mutter; Mutter; Ecrou	4	21110	
02	Washer Bricka; Scheibe; Rondelle	4	21275	
03	Resistance Motstånd; Widerstand; Résistance	1	40887	
04	Resistance Motstånd; Widerstand; Résistance	1	48781	
05	Nut Mutter; Mutter; Ecrou	4	20081	
07	Bush Bussning; Bague; Bague	8	40742	
08	Screw Skruv; Schraube; Vis	2	28071	
09	Washer Bricka; Scheibe; Rondelle	8	42993	
10	Copper bar Kopparskena; Kupferstab; Plaque de cuivre	1	41702	
11	Screw Skruv; Schraube; Vis	2	28071	
12	Washer Bricka; Scheibe; Rondelle	2	21351	
13	Screw Skruv; Schraube; Vis	2	24488	
14	Clamp Klamma; Rohrschelle; Collier	1	111277	
15	Nut Mutter; Mutter; Ecrou	2	20249	
16	Protection Skydd; Schutz; Protègee	1	124793	
17	Distance tube Distanshylsa; Abstandhülse; Douille entretoise	2	124775	
18	Clamp Klamma; Rohrschelle; Collier	1	24647	
19	Washer Bricka; Scheibe; Rondelle	1	21351	
20	Nut Mutter; Mutter; Ecrou	1	20249	
21	Sleeve Hylsa; Hülse; Douille	1	119600	
22	Clamp Klamma; Rohrschelle; Collier	1	119574	
23	Washer Bricka; Scheibe; Rondelle	1	21351	
24	Nut Mutter; Mutter; Ecrou	1	20249	
25	Screw Skruv; Schraube; Vis	4	20056	
26	Washer Bricka; Scheibe; Rondelle	4	21307	
27	Plate(Complete) Plåt(Komplett); Platte(Komplett); Plaque(Complet)	1	156018	
28	Fuse holder(Complete) Säkringshållare(Komplett); Sicherungshalter(Komplett); Porte-fusibles(Complet)	1	21758	
29	Washer Bricka; Scheibe; Rondelle	2	21307	
30	Screw Skruv; Schraube; Vis	2	21661	

5830-035 Safety switches / sensors

[1999-05-25]

S akerhetsgivare/sensorer; Sicherungs- geber / f uhler; Capteur / rupteur securite

Man-on-platform detection; Avk�anning, f�orarn�arvaro; Fahrer auf Plattformabfragung; D�etection de conducteur sur la plateforme		184 LT2200-8 288 LT 2200	328787 - 328787 -	
Pos	Description	Pcs	Part No	Note
11	Screw Skruv; Schraube; Vis	1	20351	
12	Washer Bricka; Scheibe; Rondelle	1	20404	
13	Nut Mutter; Mutter; Ecrou	1	20016	
14	Wiring harness(Including switch) Kablage(Inklusive brytare); Kabelsatz(Inklusive Shalter); C�ablage(Inclus Rupteur)	1	166837	
15	Bracket F�aste; Halterung; Support	1	166834	
16	Screw Skruv; Schraube; Vis	1	20351	
17	Washer Bricka; Scheibe; Rondelle	1	20404	
18	Nut Mutter; Mutter; Ecrou	1	20016	
19	Cam Nock; Nocken; Came	1	166836	
20	Screw Skruv; Schraube; Vis	2	28341	
21	Nut Mutter; Mutter; Ecrou	2	25699	

CLICK HERE TO **DOWNLOAD** THE COMPLETE MANUAL

- Thank you very much for reading the preview of the manual.
- You can download the complete manual from: www.heydownloads.com by clicking the link below



- Please note: If there is no response to CLICKING the link, please download this PDF first and then click on it.

CLICK HERE TO **DOWNLOAD** THE COMPLETE MANUAL