

Quality Parts

LSV 1600

Valid for machine number..... 406473 AA-

Only valid for machine number.....

--	--	--	--	--	--	--	--

Ordering number 180659

Date 2001-02-14 / ITS / ESID

Language..... GB SE DE FR

CLICK HERE TO **DOWNLOAD** THE COMPLETE MANUAL

- Thank you very much for reading the preview of the manual.
- You can download the complete manual from: www.heydownloads.com by clicking the link below

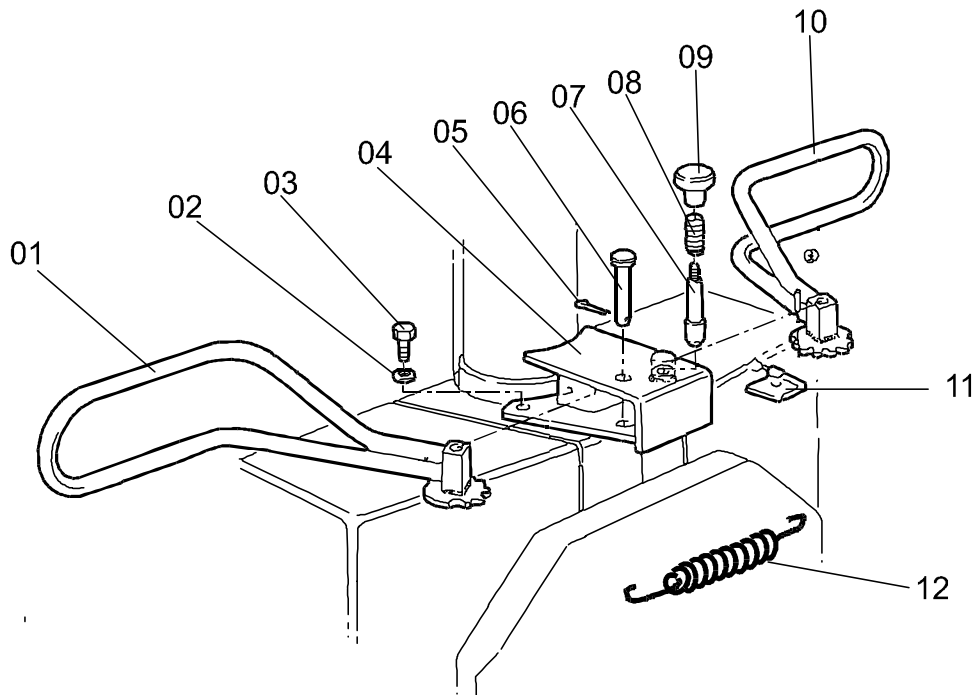


- Please note: If there is no response to CLICKING the link, please download this PDF first and then click on it.

CLICK HERE TO **DOWNLOAD** THE COMPLETE MANUAL

0840-021

P0008636

**0840-021 Driver protection**

Förarskydd; Fahrerschutz; Protection de cariste

[2001-01-18]

			276 LSV 1600	292314 -
Pos	Description	Pcs	Part No	Note
01	Gate(Left) Grind(Vänster); Schranke(Links); Barrière(Gauche)	1	127043	
02	Washer Bricka; Scheibe; Rondelle	2	21394	
03	Screw Skruv; Schraube; Vis	2	21816	
04	Consol Konsol; Konsole; Console	1	152313	
05	Split pin Håmålssprint; Splint; Goupiller	2	179801	
06	Pin Tapp; Zapfen; Pivot	2	28477	
07	Lock plunger Låskolv; Schlossriegel; Fermeture	1	127052	
08	Spring Fjäder; Feder; Ressort	1	24055	
09	Knob Knopp; Knopf; Bouton	1	127053-002	
10	Gate(Right) Grind(Höger); Schranke(Recht); Barrière(Droit)	1	127044	
11	Clamp Klamma; Rohrschelle; Collier	2	127523	
12	Spring Fjäder; Feder; Ressort	1	29954	

2550-042 Mechanical drive gear unit

[2001-02-14]

Drivaggregat/-växel; Antriebsaggregat/-getriebe; Groupe de traction, réducteur

			276 LSV 1600	406473 -
Pos	Description	Pcs	Part No	Note
01	Driving gear compl. Drivväxel kompl.; Antriebsatz kompl.; Groupe de entrainement compl.	1	170540	
11	Dip stick Oljesticka; Ölmesstab; Jauge d'huile	1	135915	
12	Washer Bricka; Scheibe; Rondelle	1	28998	
13	Shim(0,05mm) Shims; Schim; Cale		27220	
13	Shim(0,1mm) Shims; Schim; Cale		27221	
13	Shim(0,2mm) Shims; Schim; Cale		27222	
13	Shim(0,3mm) Shims; Schim; Cale		27223	
13	Shim(0,5mm) Shims; Schim; Cale		27224	
13	Shim(1 mm) Shims; Schim; Cale		27225	
14	Screw Skruv; Schraube; Vis	4	21141	
15	Shim(0,05mm) Shims; Schim; Cale		27232	
15	Shim(0,1mm) Shims; Schim; Cale		27233	
15	Shim(0,2mm) Shims; Schim; Cale		27234	
15	Shim(0,3mm) Shims; Schim; Cale		27235	
15	Shim(0,5 mm) Shims; Schim; Cale		27236	
15	Shim(1 mm) Shims; Schim; Cale		27237	
16	Roller bearing Rullager; Rollenlager; Palier à roleaux	1	27208	
17	Spare part kit : Bevel gear Reservdelssats : Koniskt kugghjul; Satz : Kegelrad; Jeux : Roue conique à denture droite	1	101092	
18	Nut Mutter; Mutter; Ecrou	1	101098	
19	Washer Bricka; Scheibe; Rondelle	1	23604	
20	Roller bearing Rullager; Rollenlager; Palier à roleaux	1	27206	
21	Shim(0,05mm) Shims; Schim; Cale		27238	
21	Shim(0,1mm) Shims; Schim; Cale		27239	
21	Shim(0,2mm) Shims; Schim; Cale		27240	
21	Shim(0,3mm) Shims; Schim; Cale		27241	
21	Shim(0,5mm) Shims; Schim; Cale		27242	
21	Shim(1 mm) Shims; Schim; Cale		27243	
22	Screw Skruv; Schraube; Vis	2	28519	
24	Screw Skruv; Schraube; Vis	2	20276	
25	Cap Lock; Deckel; Couvercle	1	127280	

4110-081 Steering arm / wheel / lever

[1999-05-07]

Styr- arm/ratt/spak; Deichsel, Lenkrad-hebel; Timon/volant/levier de direction

Machine with driver platform; Maskin med förarplattform; Maschine mit Fahrerplattform; Machine avec plateforme du conducteur		276 LSV 1600	277198 -	
Pos	Description	Pcs	Part No	Note
01	Cap Lock; Deckel; Couvercle	1	142975	Cold stores Fryshus; Gefrieranlage; Chambre frigorifique
02	Cap Lock; Deckel; Couvercle	1	142252	
03	Screw Skruv; Schraube; Vis	8	28545	
04	Screw Skruv; Schraube; Vis	2	24470	
05	Nut Mutter; Mutter; Ecrou	2	25437	
06	Handle Handtag; Handgriff; Poignée.	1	141846	
07	Nut Mutter; Mutter; Ecrou	2	20016	
08	Washer Bricka; Scheibe; Rondelle	2	20404	
09	Guide Genomföring; Durcgführung; Guide	1	21957	
10	Screw Skruv; Schraube; Vis	4	28545	Cold stores Fryshus; Gefrieranlage; Chambre frigorifique
11	Heater(With wiring harness) Värmare(Med kablage); Heizer(Mit Kabelsatz); Calorie(Avec Câblage)	1	153396	
12	Cap Lock; Deckel; Couvercle	1	142250	
13	Screw Skruv; Schraube; Vis	2	20276	
14	Cap Lock; Deckel; Couvercle	1	141816	
15	Locking pin Spännstift; Spannstift; Goupille	1	22128	
16	Axle Axel; Achse; Axe	1	101202	
17	Screw Skruv; Schraube; Vis	1	28338	
18	Nut Mutter; Mutter; Ecrou	2	20130	
19	Washer Bricka; Scheibe; Rondelle	2	21393	240 Ah 320 Ah 280 Ah
20	Stud screw Pinnskruv; Stiftschraube; Prisonnier	3	142817-001	
20	Stud screw Pinnskruv; Stiftschraube; Prisonnier	3	142817-003	
20	Stud screw Pinnskruv; Stiftschraube; Prisonnier	3	142817-004	
21	Washer Bricka; Scheibe; Rondelle	1	21393	
22	Nut Mutter; Mutter; Ecrou	1	20130	
23	Distance pipe Distansrör; Abstandsrohr; Tube entretoise	1	118571-002	240 Ah
23	Distance pipe Distansrör; Abstandsrohr; Tube entretoise	1	142797-003	320 Ah
23	Distance pipe Distansrör; Abstandsrohr; Tube entretoise	1	142797-004	280 Ah
24	Guide Genomföring; Durcgführung; Guide	1	130184	
26	Bracket Fäste; Halterung; Support	1	126829	

CLICK HERE TO **DOWNLOAD** THE COMPLETE MANUAL

- Thank you very much for reading the preview of the manual.
- You can download the complete manual from: www.heydownloads.com by clicking the link below

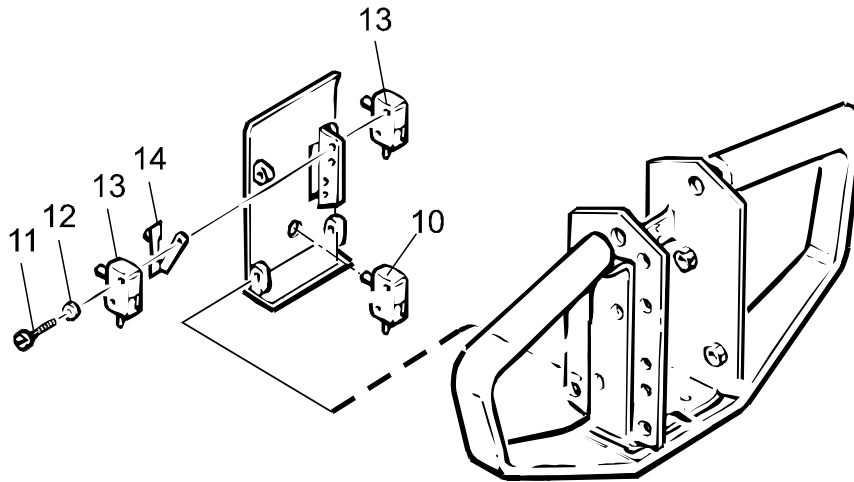


- Please note: If there is no response to CLICKING the link, please download this PDF first and then click on it.

CLICK HERE TO **DOWNLOAD** THE COMPLETE MANUAL

5510-035

P0007811

**5510-035 Work function micro switches, potentiometers**

[1998-07-30]

Arbetsfunktionsbrytare/-potentiometer; Schalter/Potentiometer Arbeitsfunktion; Rupteurs (switches)/potentiomètres

		276 LSV 1600		277234 -	
Pos	Description	Pcs	Part No	Note	
10	Micro switch Mikrobrytare; Mikroschalter; Interrupteurs	1	21945		
11	Screw Skruv; Schraube; Vis	4	23638	Electric lifting / sinking Elektrisk lyft / sänkning; Elektrische hebe / senkung; Levage / dépression de électrique	
12	Washer Bricka; Scheibe; Rondelle	4	21392	Electric lifting / sinking Elektrisk lyft / sänkning; Elektrische hebe / senkung; Levage / dépression de électrique	
13	Micro switch Mikrobrytare; Mikroschalter; Interrupteurs	2	156278	Electric lifting / sinking Elektrisk lyft / sänkning; Elektrische hebe / senkung; Levage / dépression de électrique	
14	Operating device Manöverdon; Steuerungsvorrichtung; Bras de commande	2	156919	Electric lifting / sinking Elektrisk lyft / sänkning; Elektrische hebe / senkung; Levage / dépression de électrique	

6300-009 Hydraulic system mast mounted

[2001-02-14]

Hydraulsystem stativmonterat; Hydraulikanlage Hubeinrichtung; Système hydraulique mât

		276 LSV 1600	406473 -
Pos	Description	Pcs	Part No
11	Pipe Rör; Rohr; Tube	1	147301
12	Nut Mutter; Mutter; Ecrou	2	29475
13	Ferrule Skärring; Schneidring; Cone de raccord	2	29476
14	Screw Skruv; Schraube; Vis	2	22073
15	Connection Koppling; Kupplung; Raccord	1	27491
16	Screw Skruv; Schraube; Vis	2	22006
17	Washer Bricka; Scheibe; Rondelle	2	20236
18	Operating device Manöverdon; Steuerungsvorrichtung; Bras de commande	1	133755
19	Reducer Reducering; Reduzierung; Réduction	1	26273
20	Connection Koppling; Kupplung; Raccord	1	29663
21	Bracket Fäste; Halterung; Support	1	168089
22	Screw Skruv; Schraube; Vis	2	21935
23	Washer Bricka; Scheibe; Rondelle	2	20404

6610-006 Main lift cylinders

[1998-05-16]

Huvudlyftcylindrar; Haupthubzylinder; Vérin de levage, principal

Duplex Tele		276 LSV 1600	310750 -	
Pos	Description	Pcs	Part No	Note
01	Lifting cylinder compl Lyftcylinder kompl.; Hubzylinder Kompl.; Verin de levage compl.	2	157998-235	Lift height = 2350 mm Lyfthöjd = 2350 mm; Hubhöhe = 2350 mm; Hauteur d'élévation = 2350 mm
01	Lifting cylinder compl Lyftcylinder kompl.; Hubzylinder Kompl.; Verin de levage compl.	2	157998-285	Lift height = 2850 mm Lyfthöjd = 2850 mm; Hubhöhe = 2850 mm; Hauteur d'élévation = 2850 mm
01	Lifting cylinder compl Lyftcylinder kompl.; Hubzylinder Kompl.; Verin de levage compl.	2	157998-290	Lift height = 2900 mm Lyfthöjd = 2900 mm; Hubhöhe = 2900 mm; Hauteur d'élévation = 2900 mm
01	Lifting cylinder compl Lyftcylinder kompl.; Hubzylinder Kompl.; Verin de levage compl.	2	157998-335	Lift height = 3350 mm Lyfthöjd = 3350 mm; Hubhöhe = 3350 mm; Hauteur d'élévation = 3350 mm
01	Lifting cylinder compl Lyftcylinder kompl.; Hubzylinder Kompl.; Verin de levage compl.	2	157998-375	Lift height = 3750 mm Lyfthöjd = 3750 mm; Hubhöhe = 3750 mm; Hauteur d'élévation = 3750 mm
01	Lifting cylinder compl Lyftcylinder kompl.; Hubzylinder Kompl.; Verin de levage compl.	2	157998-415	Liftheigt = 4150 mm Lyfthöjd = 4150 mm; Hubhöhe = 4150 mm; Hauteur d'élévation = 4150 mm
03	Cylinder pipe Cylinderrör; Zylinderrohr; Tube de cylindre	2	139975-235	
03	Cylinder pipe Cylinderrör; Zylinderrohr; Tube de cylindre	2	139975-285	
03	Cylinder pipe Cylinderrör; Zylinderrohr; Tube de cylindre	2	139975-290	
03	Cylinder pipe Cylinderrör; Zylinderrohr; Tube de cylindre	2	139975-335	
03	Cylinder pipe Cylinderrör; Zylinderrohr; Tube de cylindre	2	139975-375	
03	Cylinder pipe Cylinderrör; Zylinderrohr; Tube de cylindre	2	139975-415	
04	Piston Kolv; Kolben; Piston	2	120494	
05	Piston rod Kolvstång; Kolbenstange; Tige de piston	2	139977-235	
05	Cylinder pipe Cylinderrör; Zylinderrohr; Tube de cylindre	2	139977-285	
05	Piston rod Kolvstång; Kolbenstange; Tige de piston	2	139977-290	
05	Piston rod Kolvstång; Kolbenstange; Tige de piston	2	139977-335	
05	Piston rod Kolvstång; Kolbenstange; Tige de piston	2	139977-375	
05	Piston rod Kolvstång; Kolbenstange; Tige de piston	2	139977-415	
11	Recondition set Renoveringssats; Renovierungssatz; Jeux a´renovation	2	160341	
12	Sealing kit(Piston) Tätningssats(Kolv); Dichtungssatz(Kolben); Jeux d´étanchéite(Piston)	2	160018	
13	Shim(1 mm) Shims; Schim; Cale		105454	
14	Shim(0,5 mm) Shims; Schim; Cale		120531	
15	Stop screw Stoppskruv; Einstellschraube; Vis de arretoire	2	21346	
16	Screw Skruv; Schraube; Vis	4	28308	
17	Washer Bricka; Scheibe; Rondelle	4	21393	

6620-003 Free lift cylinder

[1998-05-18]

Frilyftscylinder; Freihubzylinder; Vérin de levée libre

Duplex HiLo		276 LSV 1600	287167 -	
Pos	Description	Pcs	Part No	Note
01	Cylinder compl.(L = 775 mm) Cylinder kompl.; Zylinder kompl.; Verin compl.	1	152729-235	Lift height = 2350 mm Lyfthöjd = 2350 mm; Hubhöhe = 2350 mm; Hauteur d'élévation = 2350 mm
01	Cylinder compl.(L = 912 mm) Cylinder kompl.; Zylinder kompl.; Verin compl.	1	152729-290	Lift height = 2900 mm Lyfthöjd = 2900 mm; Hubhöhe = 2900 mm; Hauteur d'élévation = 2900 mm
01	Cylinder compl.(L = 1025 mm) Cylinder kompl.; Zylinder kompl.; Verin compl.	1	152729-335	Lift height = 3350 mm Lyfthöjd = 3350 mm; Hubhöhe = 3350 mm; Hauteur d'élévation = 3350 mm
01	Cylinder compl.(L = 1125 mm) Cylinder kompl.; Zylinder kompl.; Verin compl.	1	152729-375	Lift height = 3750 mm Lyfthöjd = 3750 mm; Hubhöhe = 3750 mm; Hauteur d'élévation = 3750 mm
01	Cylinder compl.(L = 1225 mm) Cylinder kompl.; Zylinder kompl.; Verin compl.	1	152729-415	Lift height = 4150 mm Lyfthöjd = 4150 mm; Hubhöhe = 4150 mm; Hauteur d'élévation = 4150 mm
02	Packing set Packningssats; Packungssatz; Jeux d' étanchéité.	1	152988	
03	Cylinder pipe Cylinderrör; Zylinderrohr; Tube de cylindre	1	152990-235	
03	Cylinder pipe Cylinderrör; Zylinderrohr; Tube de cylindre	1	152990-290	
03	Cylinder pipe Cylinderrör; Zylinderrohr; Tube de cylindre	1	152990-335	
03	Cylinder pipe Cylinderrör; Zylinderrohr; Tube de cylindre	1	152990-375	
03	Cylinder pipe Cylinderrör; Zylinderrohr; Tube de cylindre	1	152990-415	
04	Piston Kolv; Kolben; Piston	1	152989	
05	Piston rod Kolvstång; Kolbenstange; Tige de piston	1	139988-235	
05	Piston rod Kolvstång; Kolbenstange; Tige de piston	1	139988-290	
05	Piston rod Kolvstång; Kolbenstange; Tige de piston	1	139988-335	
05	Piston rod Kolvstång; Kolbenstange; Tige de piston	1	139988-375	
05	Piston rod Kolvstång; Kolbenstange; Tige de piston	1	139988-415	
13	Cylinder top Cylindertopp; Zylinderkopf; Culasse	1	152991	
17	Locking ring Spärring; Schliessring; Circlip	1	20019	
18	Valve Ventil; Ventil; Soupape	1	27182	
19	Air bleeder Luftventil; Luftnippel; Soupape (air)	1	24325	
20	Screw Skruv; Schraube; Vis	2	20996	

7100-029 Main mast

[2000-03-29]

Huvudstativ/-mast; Haupthubgerüst/-mast; Mât principal

Triplex Hi - Lo		276 LSV 1600	354260 -	
Pos	Description	Pcs	Part No	Note
11	Chain wheel(Complete) Kedjehjul(Komplett); Kettenrad(Komplett); Roue de chaine(Compleat)	1	176013	
13	Distance piece Distans; Distanz; Distance	2	101237	
17	Roller Rulle; Rolle; Roleau	1	101339	
18	Bush Bussning; Bague; Bague	1	126883-002	
19	Washer Bricka; Scheibe; Rondelle	1	20013	
20	Locking ring Spårring; Schliessring; Circlip	1	20019	
21	Chain wheel(Complete) Kedjehjul(Komplett); Kettenrad(Komplett); Roue de chaine(Compleat)	2	176012	
25	Locking ring Spårring; Schliessring; Circlip	2	20076	
26	Distance piece Distans; Distanz; Distance	2	101341	
27	Axle Axel; Achse; Axe	2	137853	
28	Screw Skruv; Schraube; Vis	2	28835	
31	Distance piece(30 x 42 x 0,1) Distans; Distanz; Distance		21881	
31	Distance piece(30 x 42 x 0,2) Distans; Distanz; Distance		21882	
31	Distance piece(30 x 42 x 0,3) Distans; Distanz; Distance		21883	
31	Distance piece(30 x 42 x 0,5) Distans; Distanz; Distance		21884	
31	Distance piece(30 x 42 x 1,0) Distans; Distanz; Distance		21885	
32	Roller(A = 78,2 mm, marked A) Rulle(A = 78,2 mm, märkt A); Rolle(A = 78,2 mm, marke A); Roleau(A = 78,2 mm, marqué A)	4	101423	
32	Roller(A = 78,6 mm, marked B) Rulle(A = 78,6 mm, märkt B); Rolle(A = 78,6 mm, marke B); Roleau(A = 78,6 mm, marqué B)		126011	
32	Roller(A = 78 mm, marked C) Rulle(A = 78 mm, märkt C); Rolle(A = 78 mm, marke C); Roleau(A = 78 mm, marqué C)		127698	
33	Chain wheel(Complete) Kedjehjul(Komplett); Kettenrad(Komplett); Roue de chaine(Compleat)	1	176013	
34	Distance piece Distans; Distanz; Distance	2	101237	
39	Wheel fork Hjulgaffel; Radgabel; Fourche de roue	1	139067	
40	Locking pin Spännstift; Spannstift; Goupille	1	21316	
41	Axle Axel; Achse; Axe	1	101298	
42	Washer Bricka; Scheibe; Rondelle	1	20236	
43	Screw Skruv; Schraube; Vis	1	23006	
44	Screw Skruv; Schraube; Vis	1	28708	
45	Washer Bricka; Scheibe; Rondelle	1	126723-006	

CLICK HERE TO **DOWNLOAD** THE COMPLETE MANUAL

- Thank you very much for reading the preview of the manual.
- You can download the complete manual from: www.heydownloads.com by clicking the link below



- Please note: If there is no response to CLICKING the link, please download this PDF first and then click on it.

CLICK HERE TO **DOWNLOAD** THE COMPLETE MANUAL