



BT Europe

BT Europe AB,  
SE-595 81 Mjölby

## CATALOGO PARTI DI RICAMBIO

# C4E 250NV

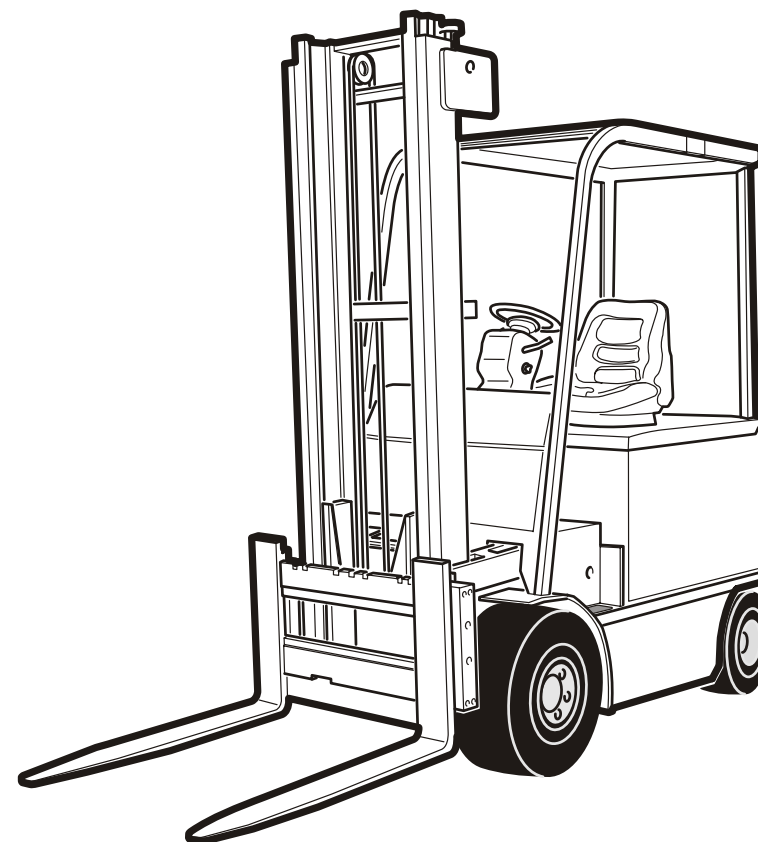
N°di Matricola  
Serial Number

# CE25XXXX

Codice  
Code

Edizione  
Issuing date

**0350177R1- 0** 03 - 2004



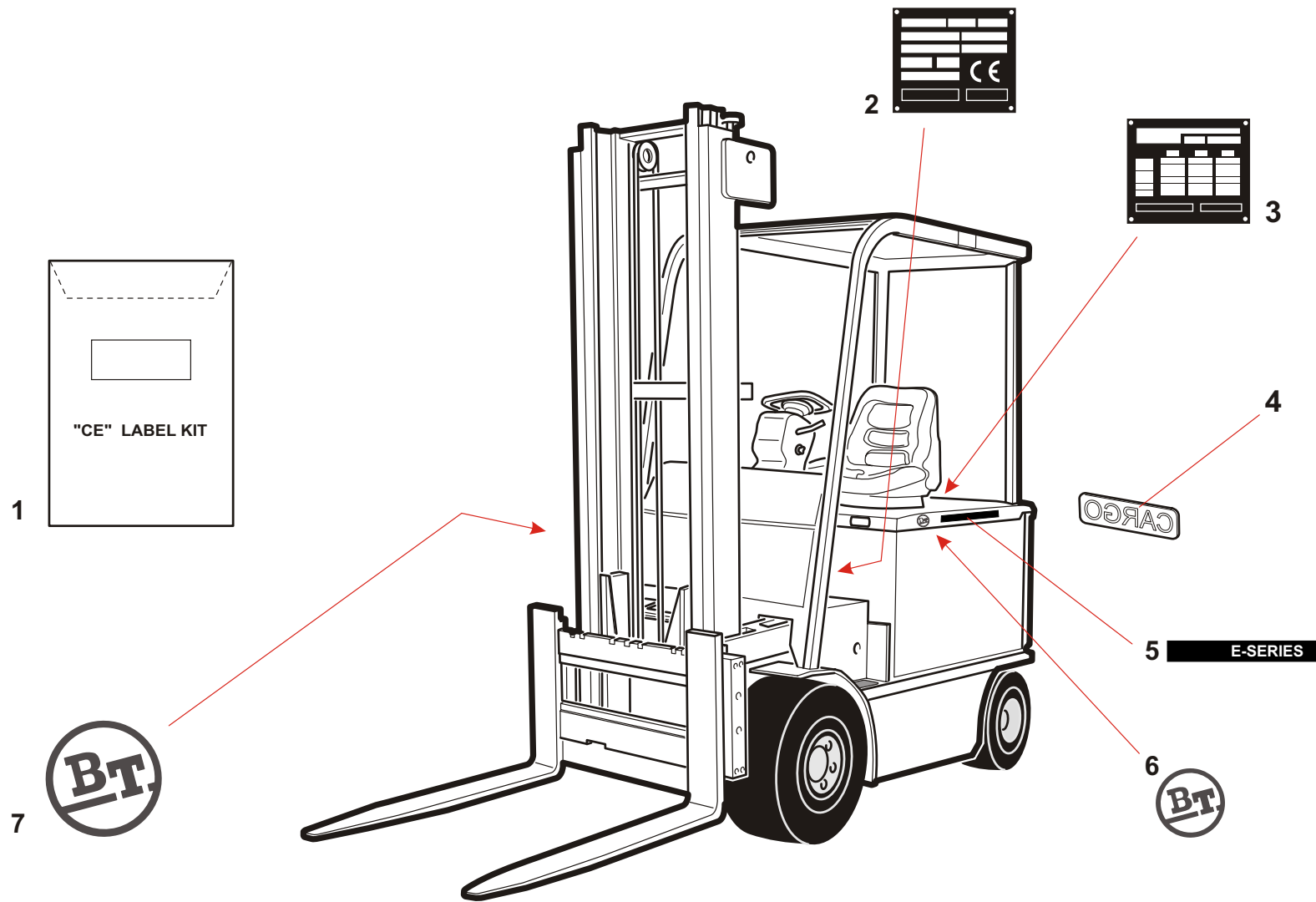
CLICK HERE TO **DOWNLOAD** THE COMPLETE MANUAL

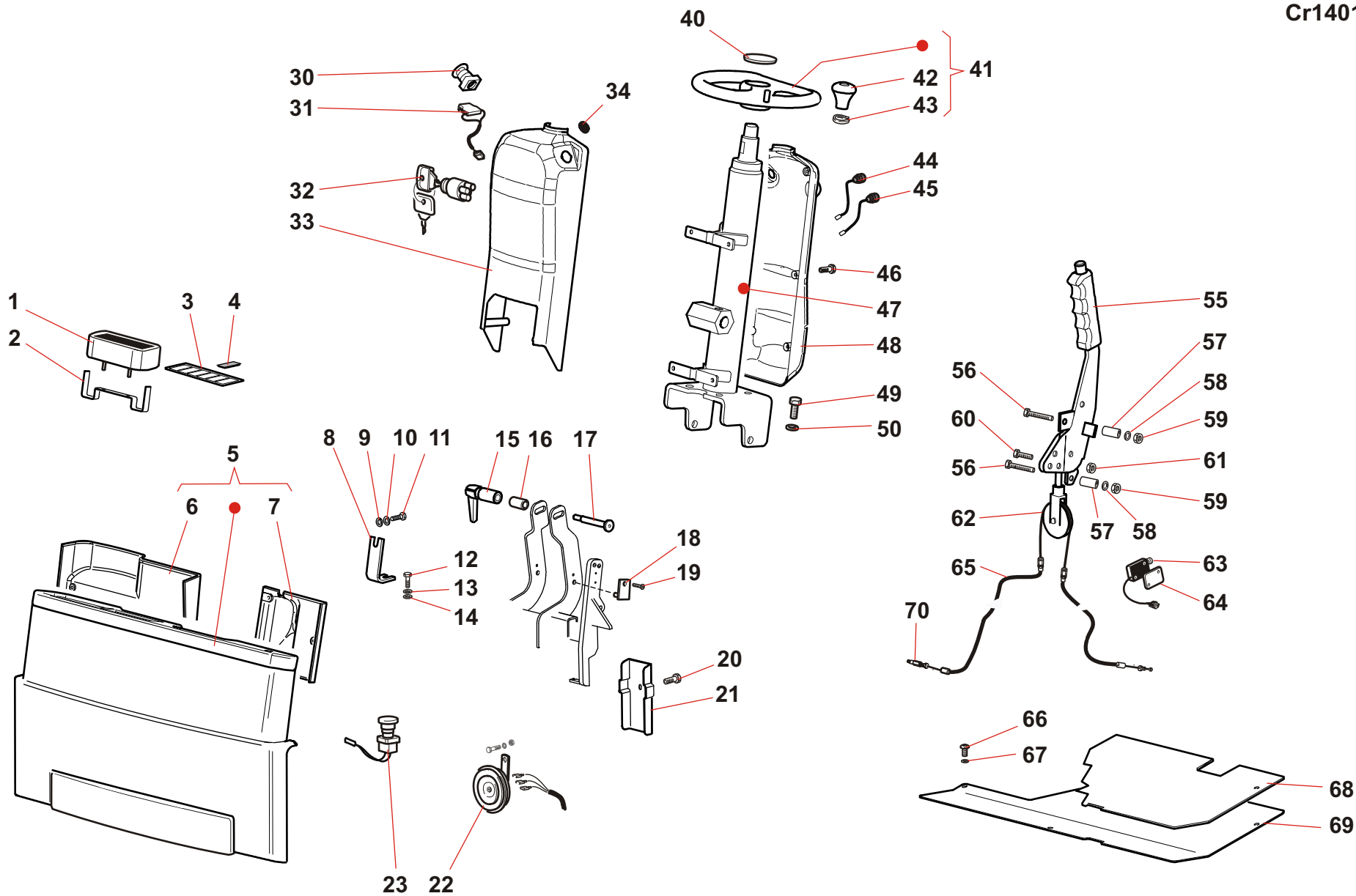
- Thank you very much for reading the preview of the manual.
- You can download the complete manual from: [www.heydownloads.com](http://www.heydownloads.com) by clicking the link below

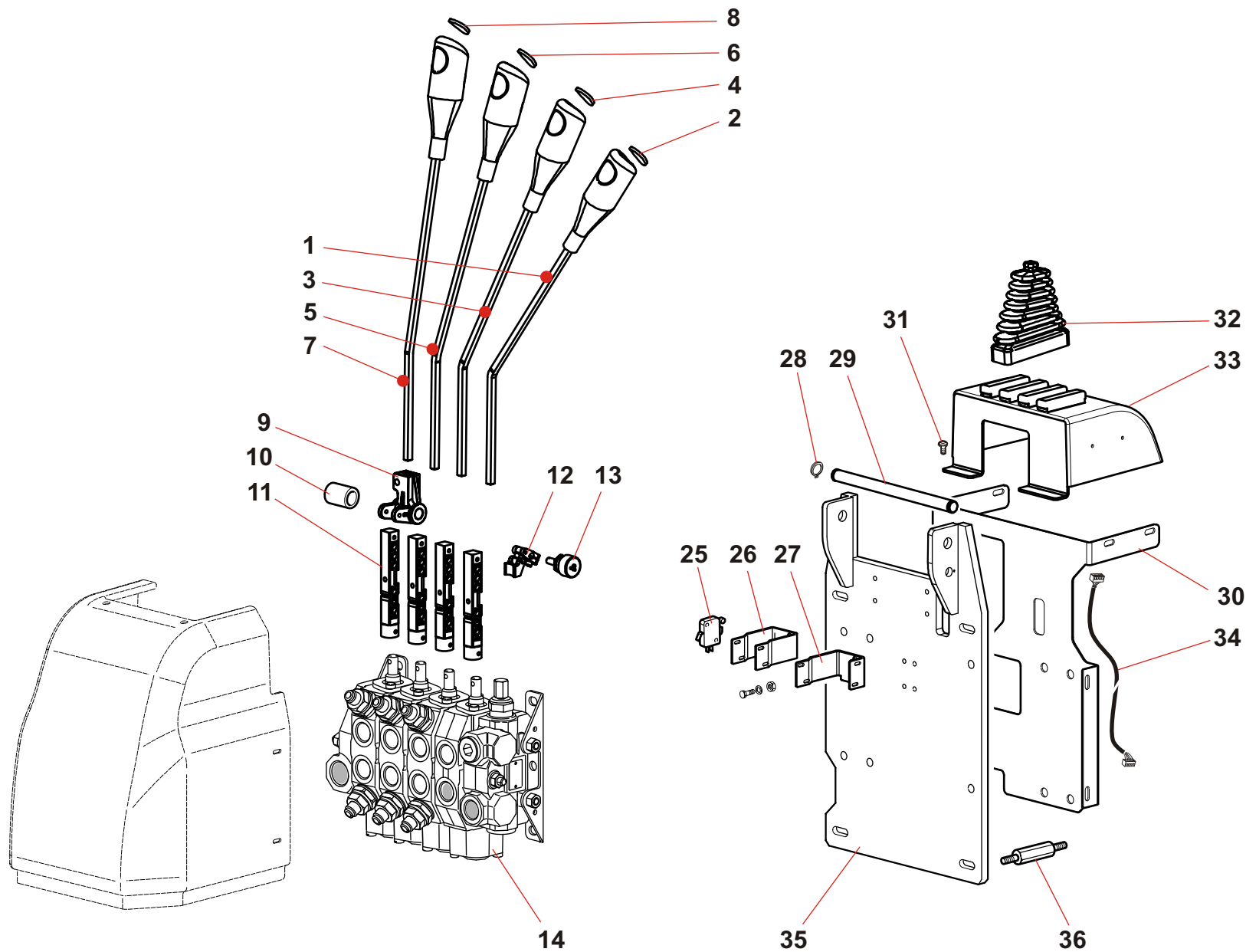


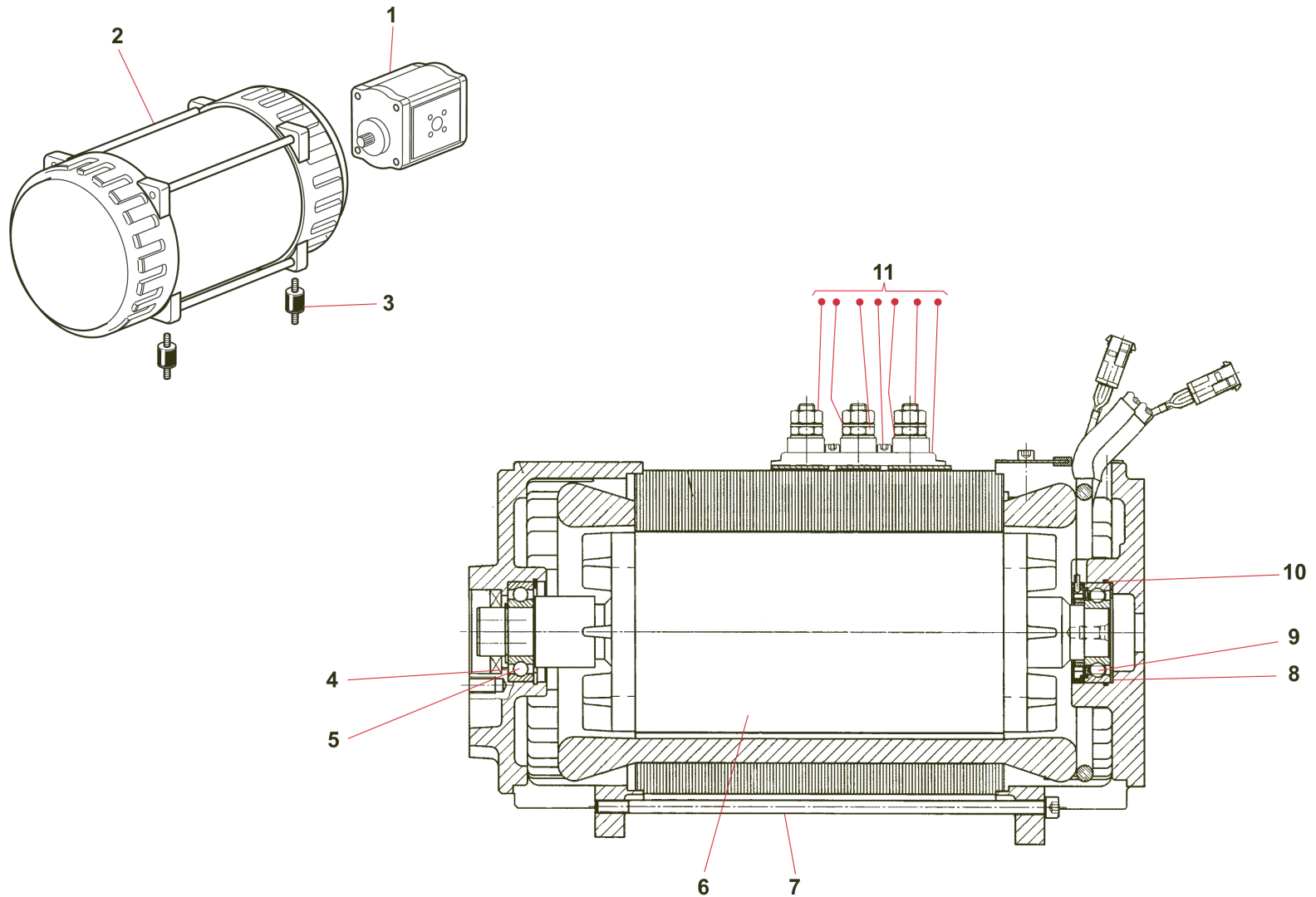
- Please note: If there is no response to CLICKING the link, please download this PDF first and then click on it.

CLICK HERE TO **DOWNLOAD** THE COMPLETE MANUAL

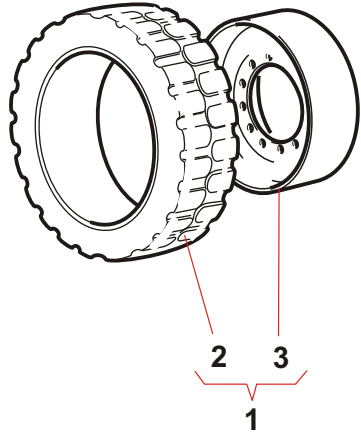




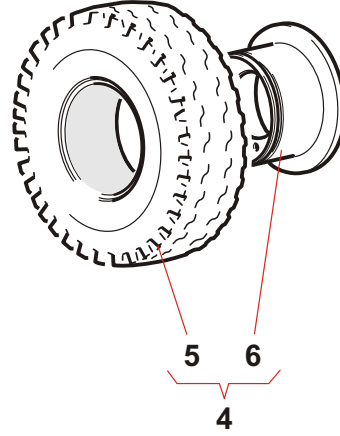




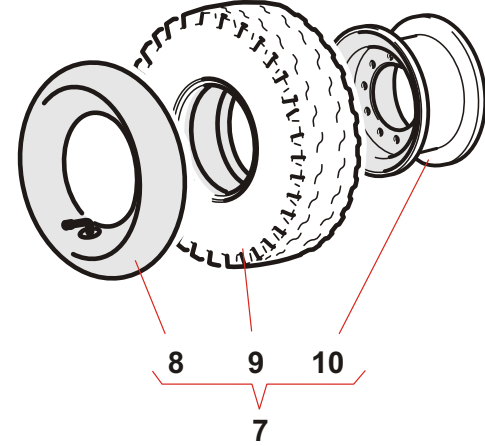
CU



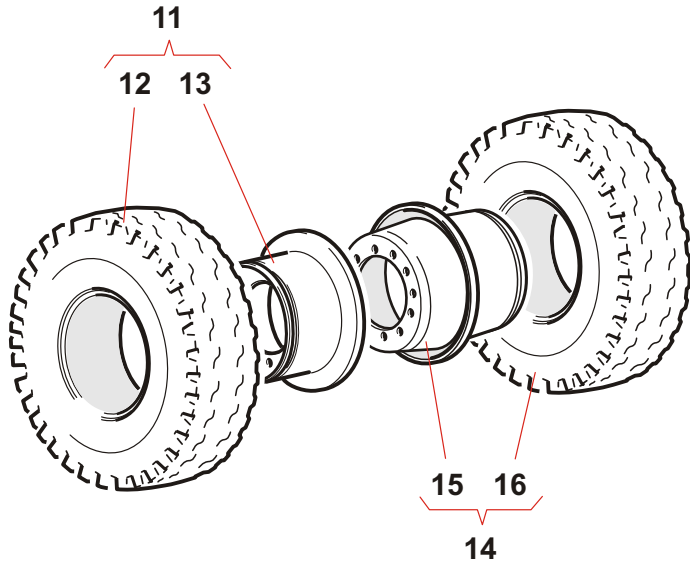
SE



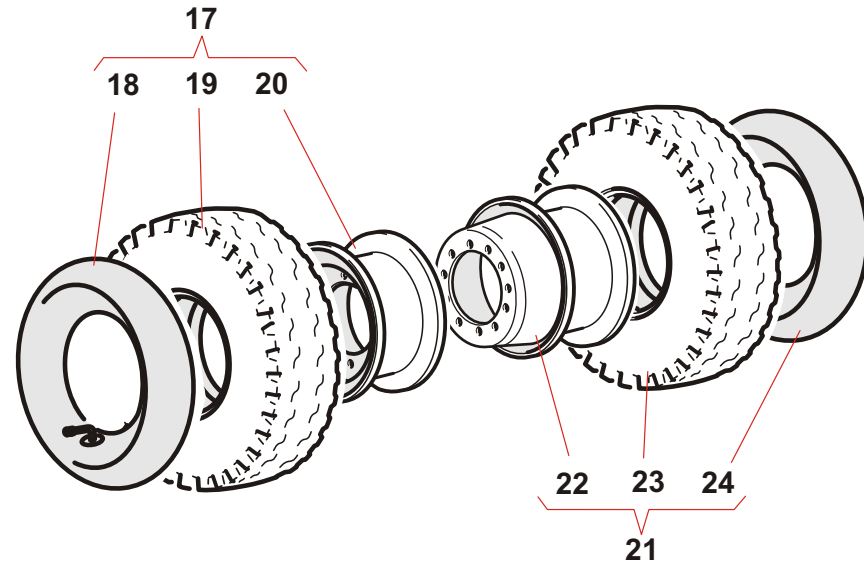
PN

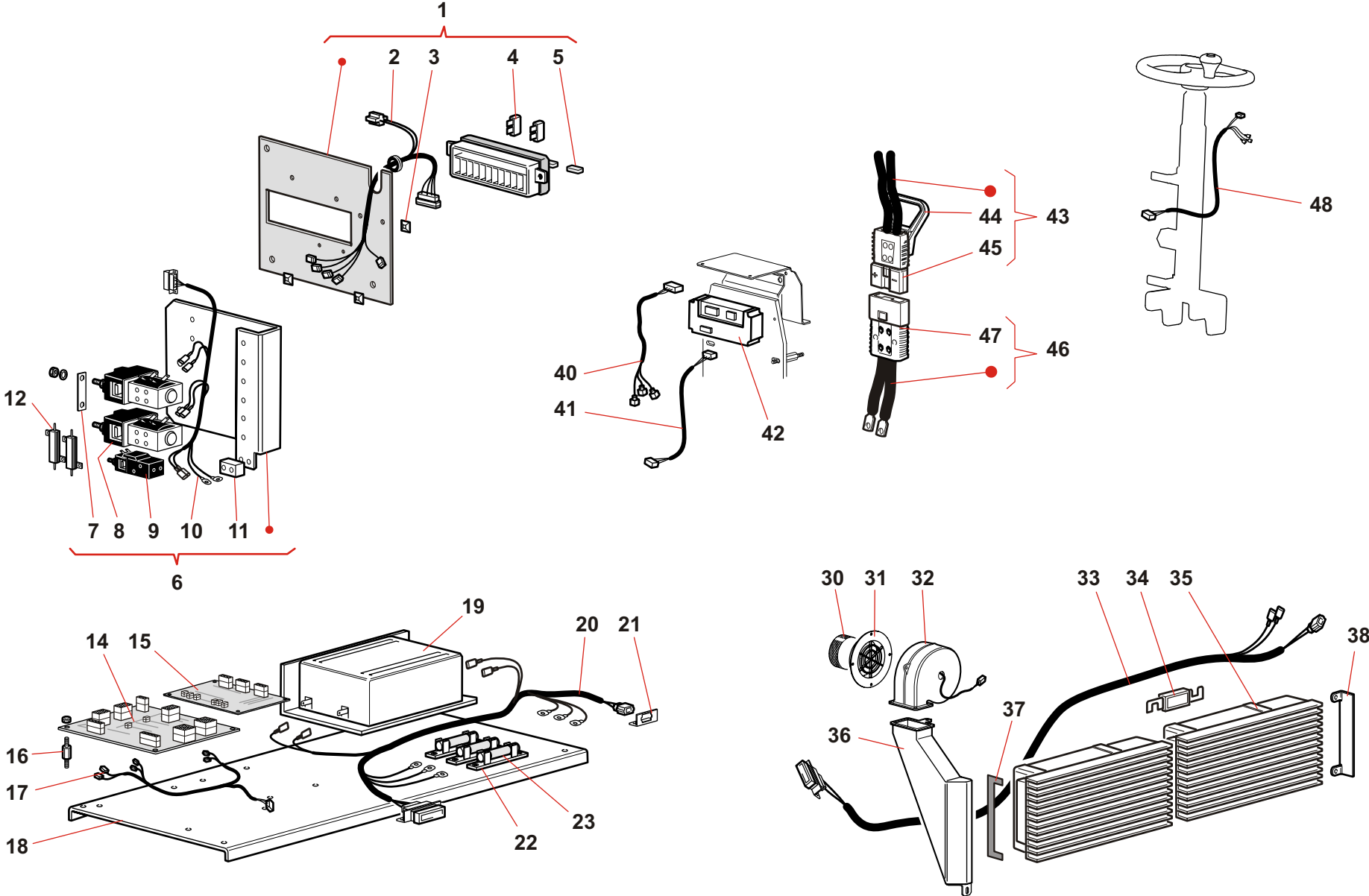


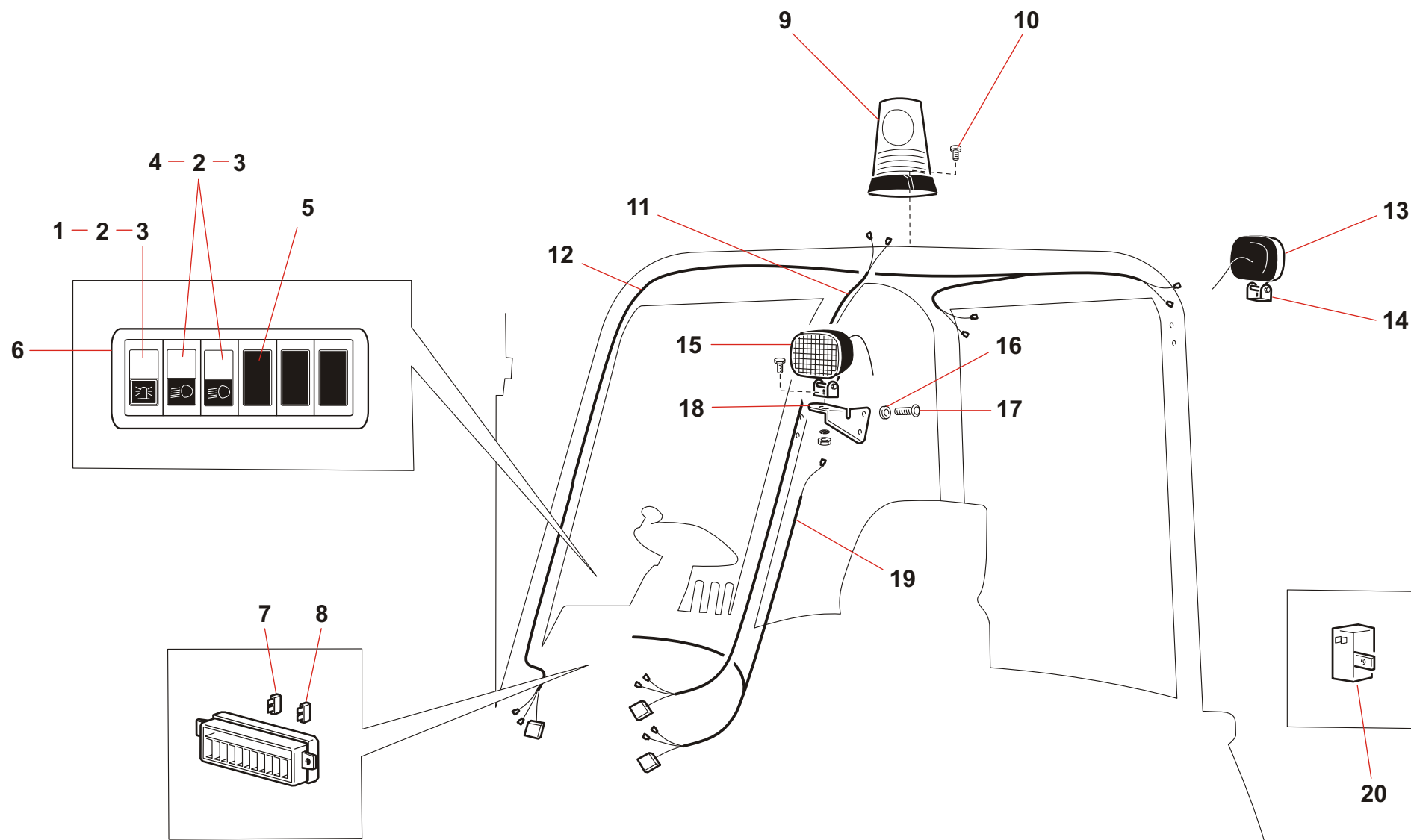
SEG



PNG







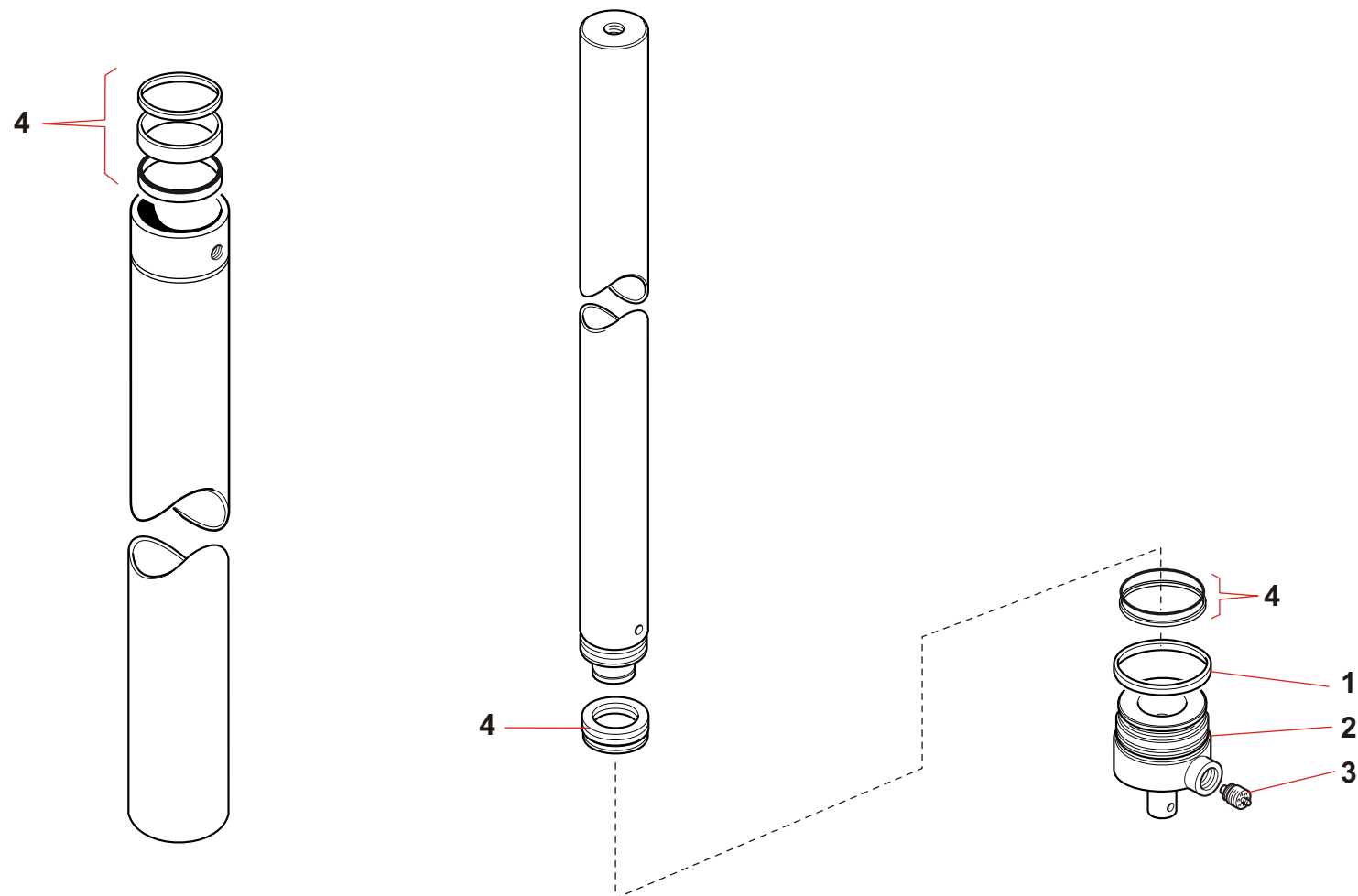
CLICK HERE TO **DOWNLOAD** THE COMPLETE MANUAL

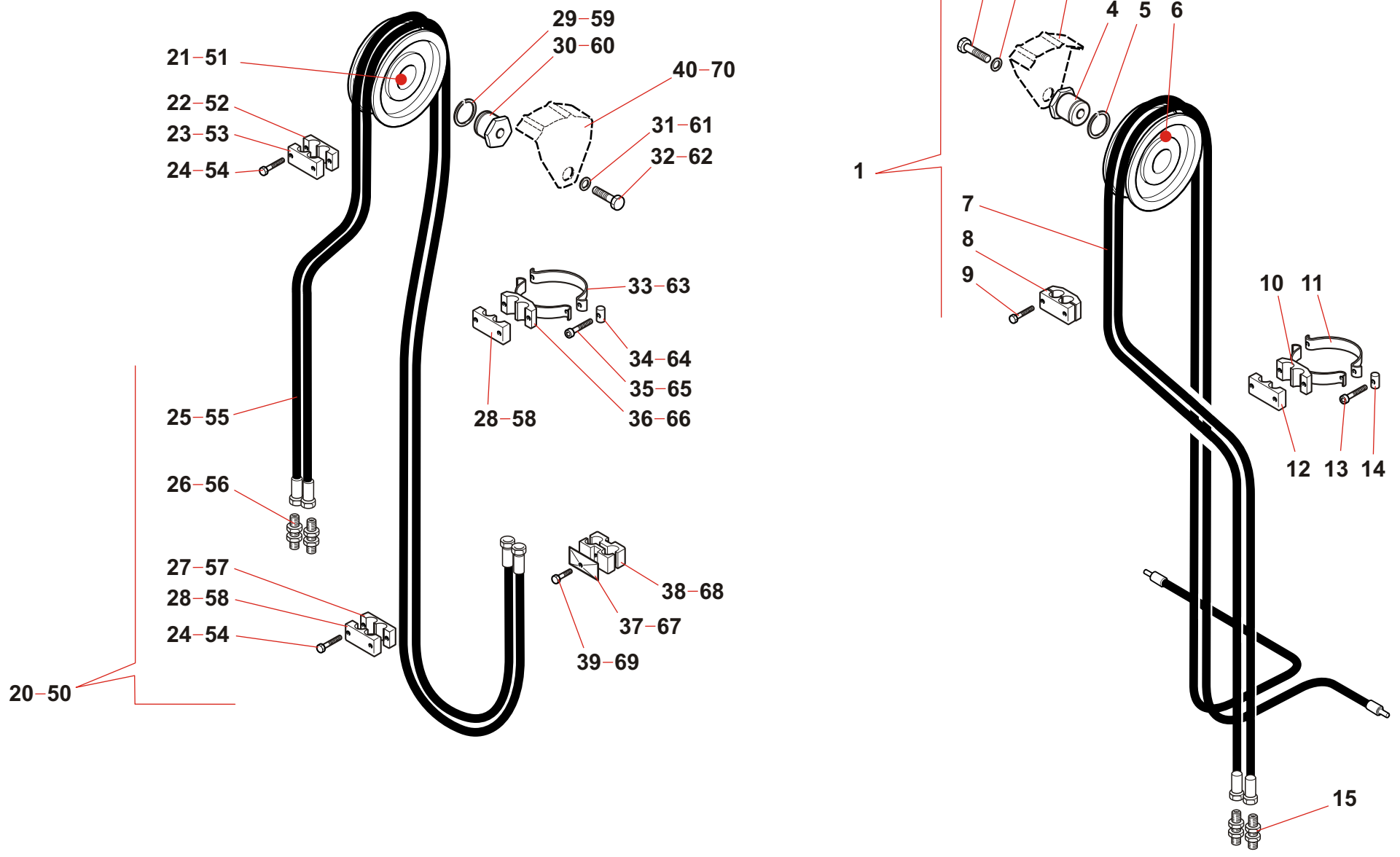
- Thank you very much for reading the preview of the manual.
- You can download the complete manual from: [www.heydownloads.com](http://www.heydownloads.com) by clicking the link below

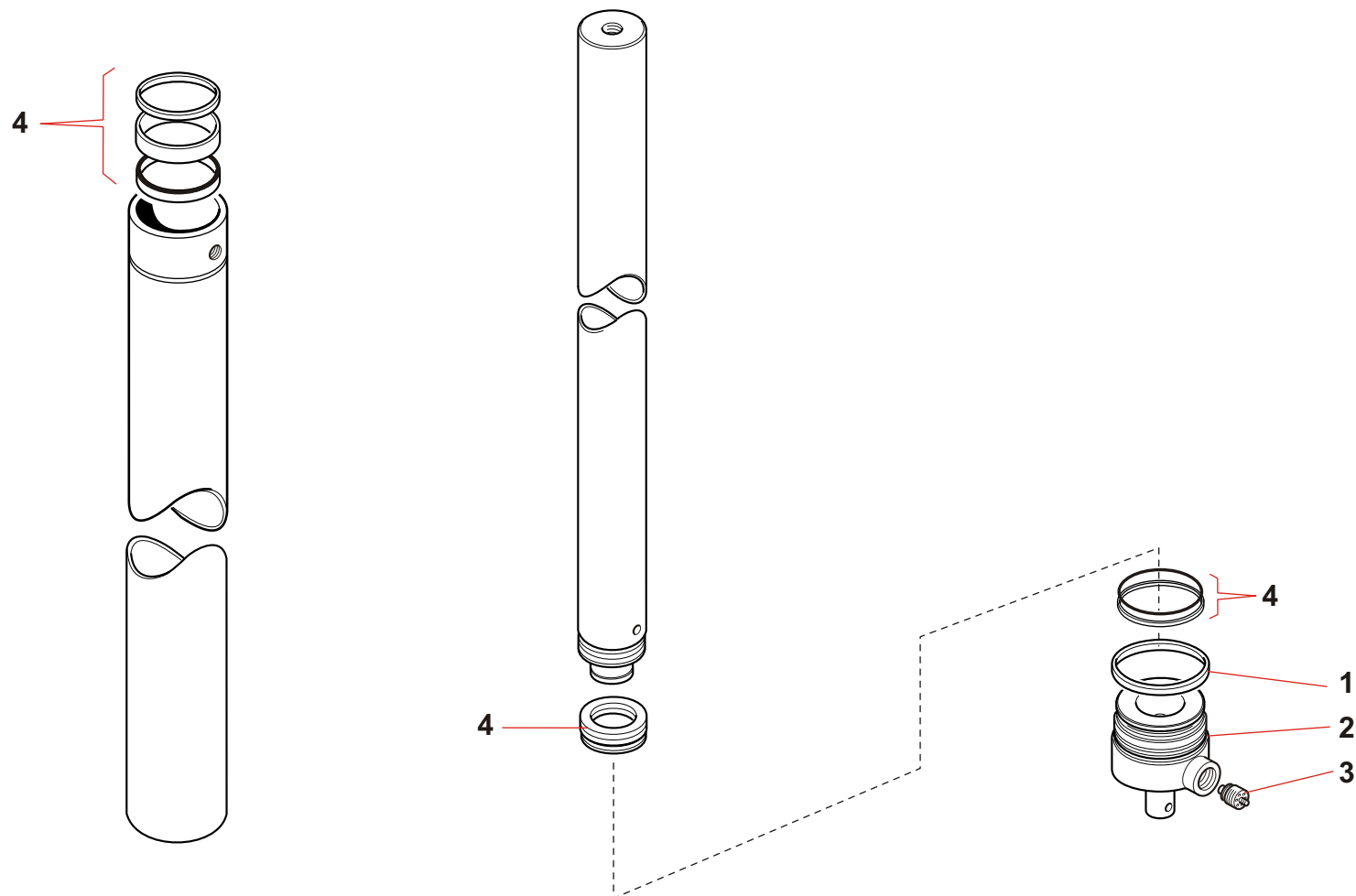


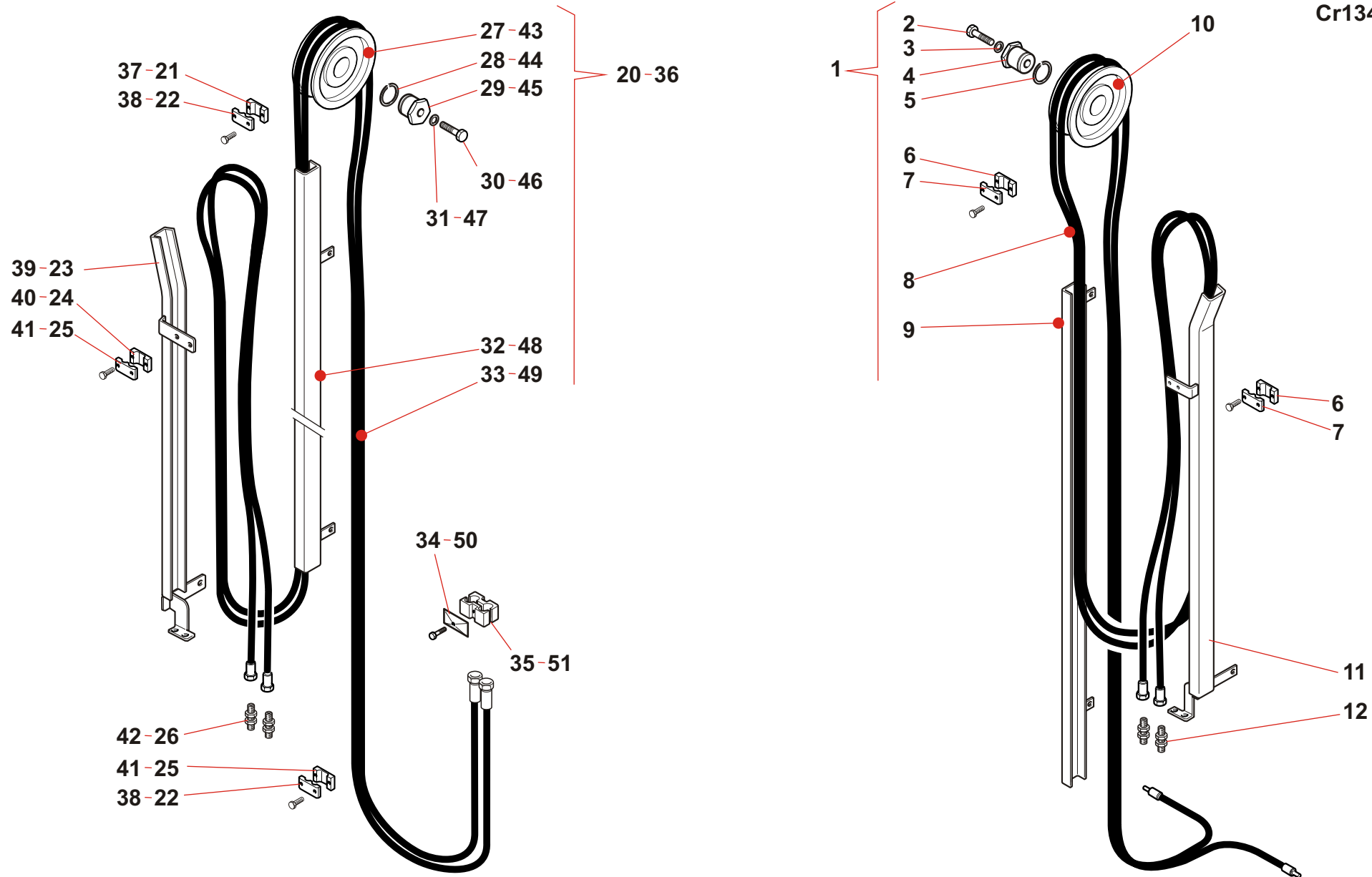
- Please note: If there is no response to CLICKING the link, please download this PDF first and then click on it.

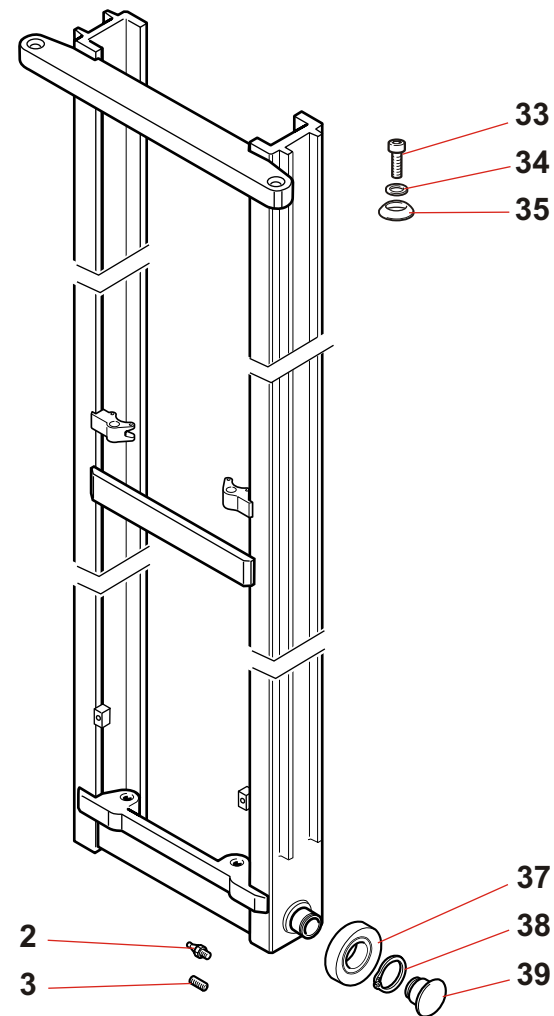
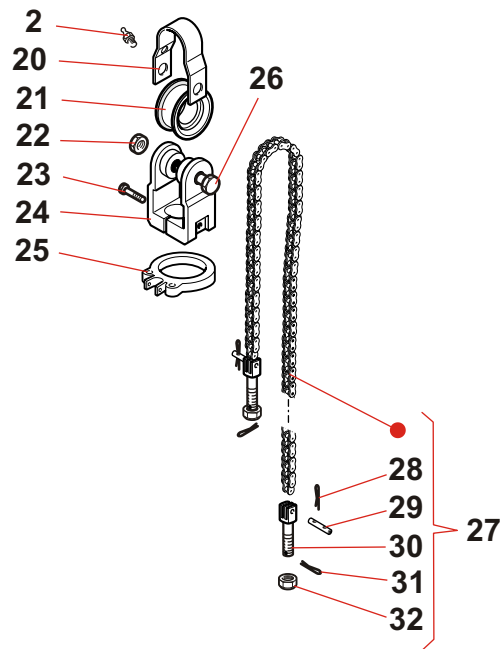
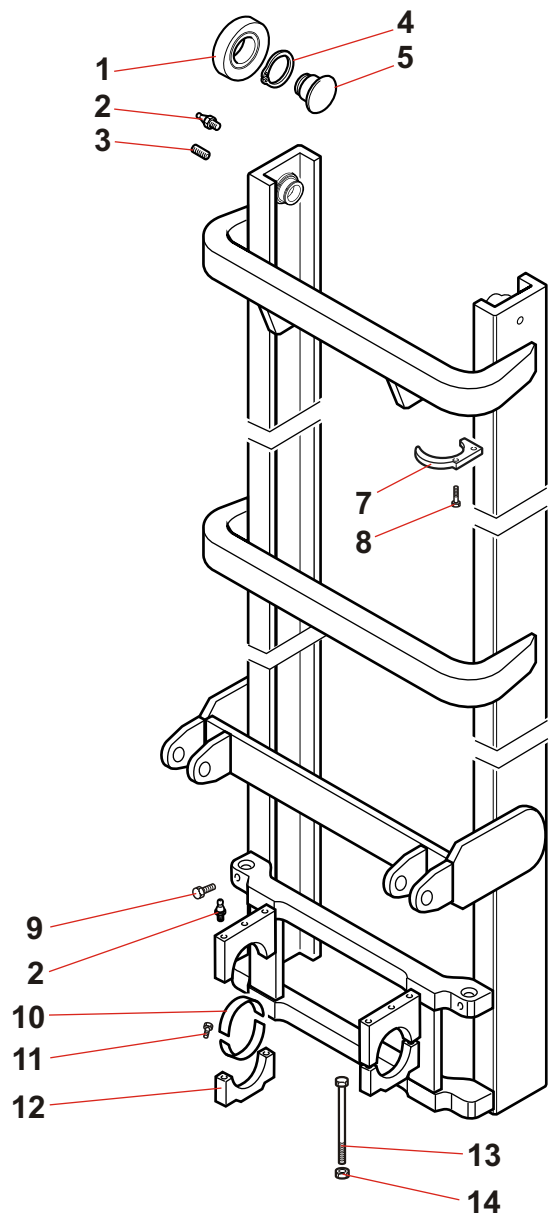
CLICK HERE TO **DOWNLOAD** THE COMPLETE MANUAL

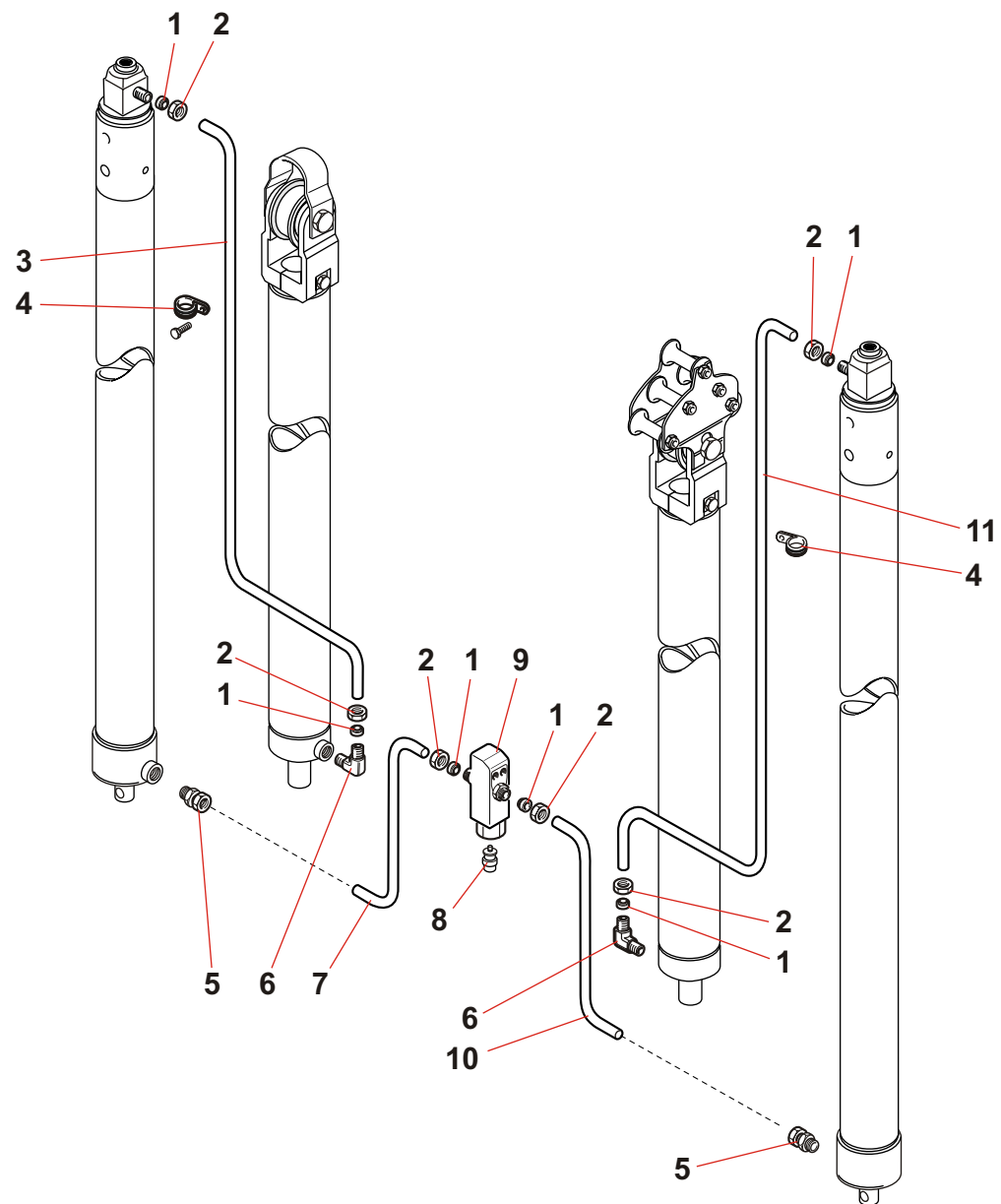


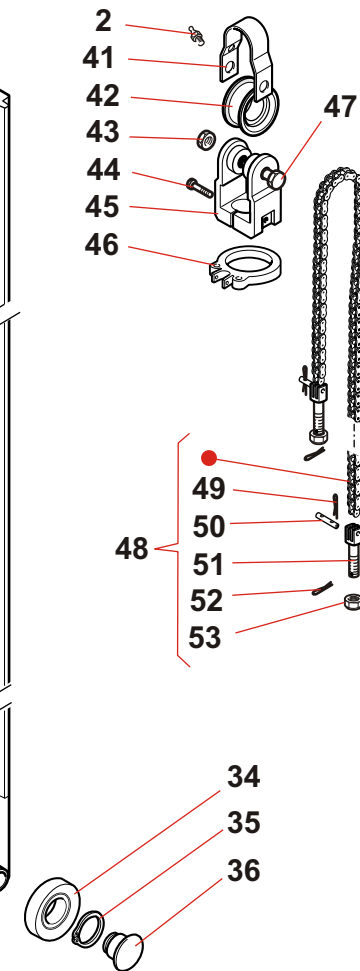
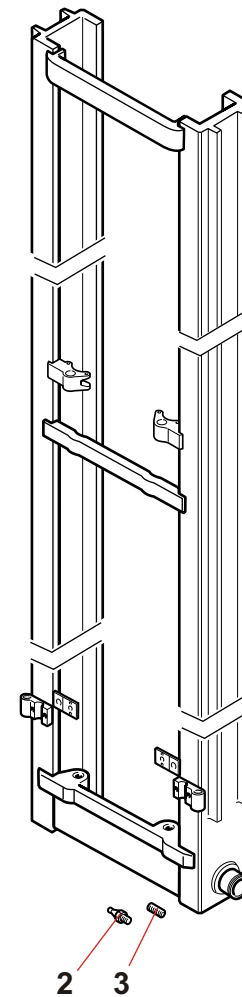
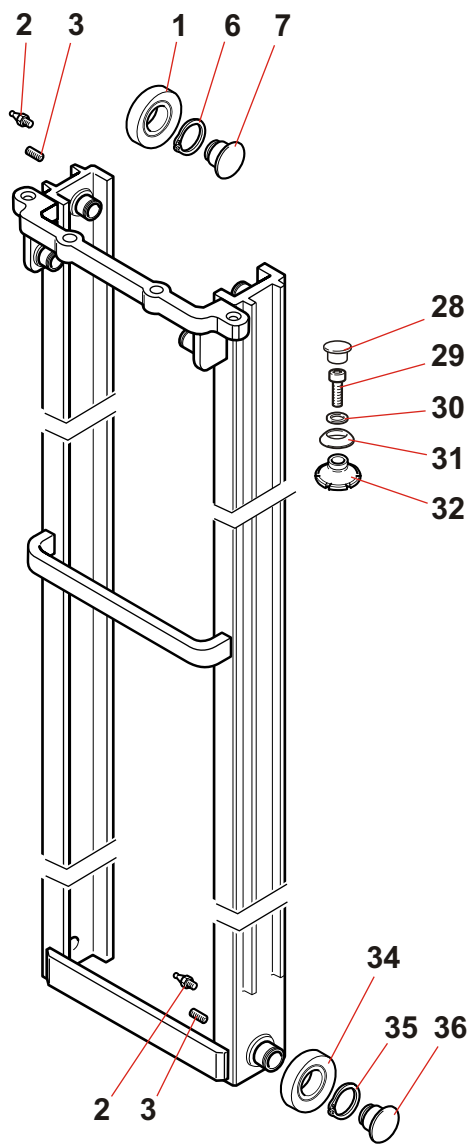
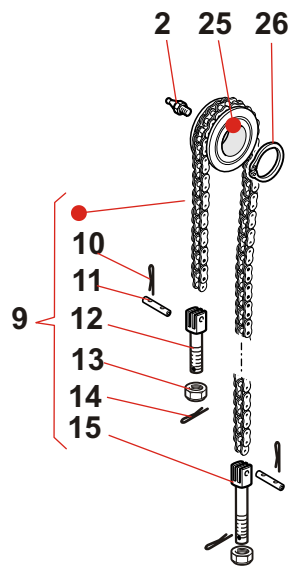
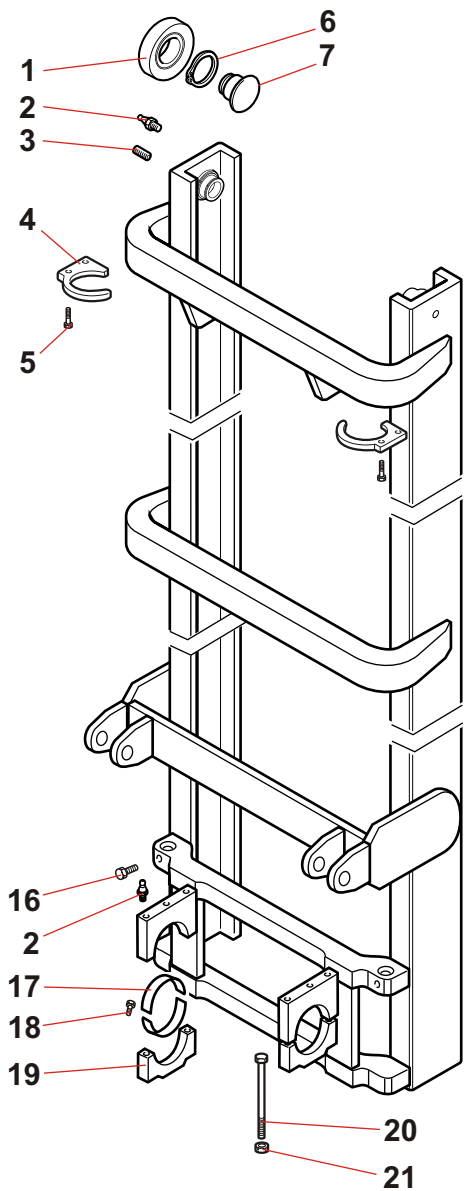


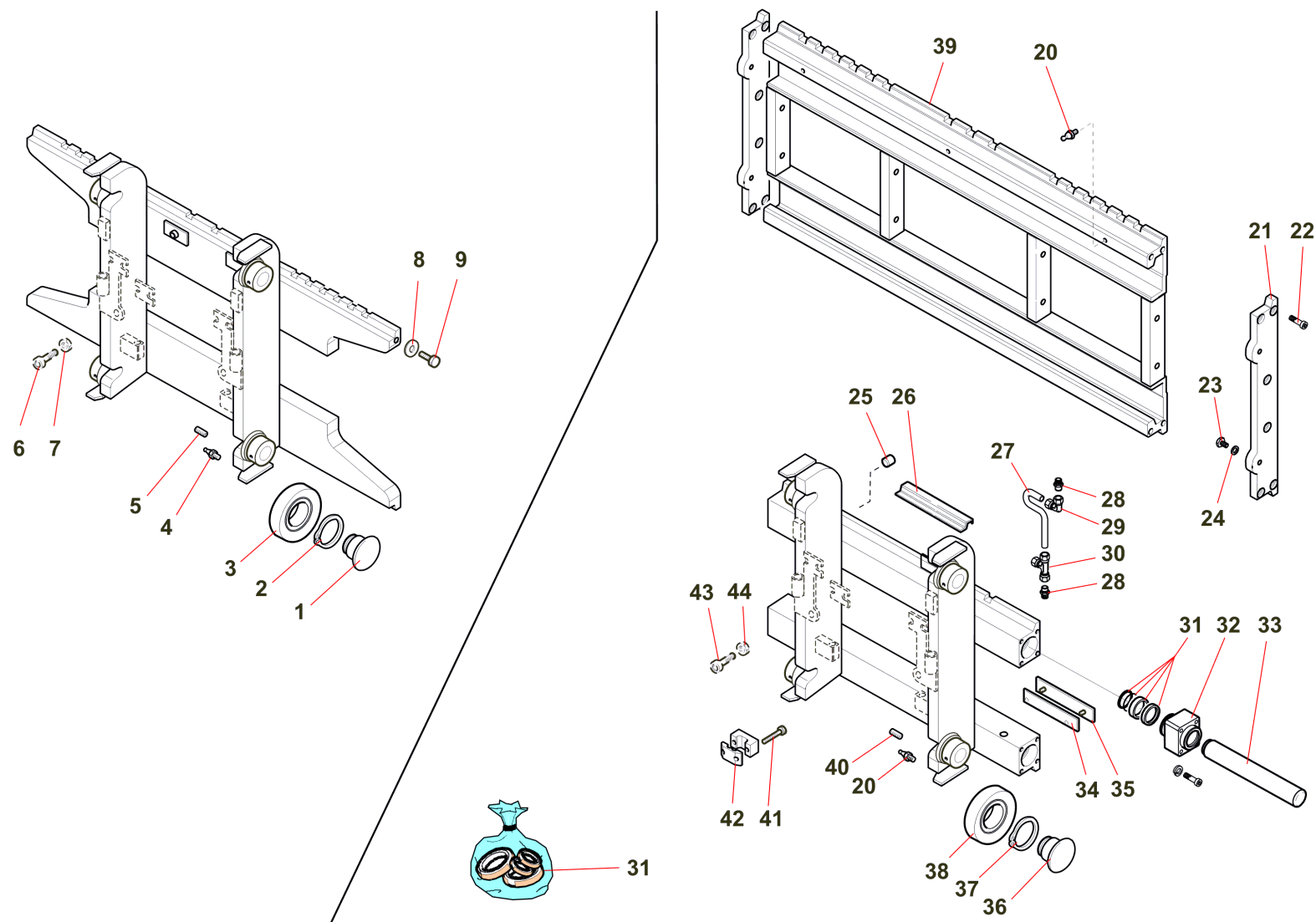












CLICK HERE TO **DOWNLOAD** THE COMPLETE MANUAL

- Thank you very much for reading the preview of the manual.
- You can download the complete manual from: [www.heydownloads.com](http://www.heydownloads.com) by clicking the link below



- Please note: If there is no response to CLICKING the link, please download this PDF first and then click on it.

CLICK HERE TO **DOWNLOAD** THE COMPLETE MANUAL