

## Quality Parts

C15

Valid for machine number..... 564221AA -

Only valid for machine number..... 

--	--	--	--	--	--	--	--

Ordering number ..... 211455

Date ..... 2003-10-21

Language..... GB SE DE FR / ITS / ESIF

CLICK HERE TO **DOWNLOAD** THE COMPLETE MANUAL

- Thank you very much for reading the preview of the manual.
- You can download the complete manual from: [www.heydownloads.com](http://www.heydownloads.com) by clicking the link below



- Please note: If there is no response to CLICKING the link, please download this PDF first and then click on it.

CLICK HERE TO **DOWNLOAD** THE COMPLETE MANUAL

**Quality Parts**

---

<b>5460-00053</b>	<b>Transistor panel</b> Transistorpanel ; Transistorpanel; Panneau transistor;	<b>Initial lift</b>
<b>5510-00101</b>	<b>Work function micro switches, potentiometers</b> Arbetsfunktionsbrytare/-potentiometer; Schalter/Potentiometer Arbeitsfunktion; Rupteurs (switchs)/potentiomètres;	<b>Frame pivot</b>
<b>5520-00005</b>	<b>Work function relays</b> Arbetsfunktionsrelä; Relais Arbeitsfunktion; Relais fonction de travail;	<b>Cabin</b>
<b>5520-00006</b>	<b>Work function relays</b> Arbetsfunktionsrelä; Relais Arbeitsfunktion; Relais fonction de travail;	<b>Chassis</b>
<b>5590-00094</b>	<b>Work function harnesses/ fuse</b> Arbetsfunktionskablage/ -säkring; Steurstromverkabelung/ -Sicherung; Câblage/ fusible fonction de travail;	<b>Mast</b>
<b>5590-00095</b>	<b>Work function harnesses/ fuse</b> Arbetsfunktionskablage/ -säkring; Steurstromverkabelung/ -Sicherung; Câblage/ fusible fonction de travail;	<b>Cabin / turret head-three-way fork unit</b>
<b>5590-00097</b>	<b>Work function harnesses/ fuse</b> Arbetsfunktionskablage/ -säkring; Steurstromverkabelung/ -Sicherung; Câblage/ fusible fonction de travail;	<b>Frame pivot</b>
<b>5680-00101</b>	<b>Battery/motor cables, fuse</b> Batteri-/motorkablar, säkring; Batterie-/Motor kabel, Sicherung; Câbles de batterie/moteur, fusible;	
<b>5710-00094</b>	<b>Drive/multi-function PCBs</b> Elektronikkort åkning/kombination; Elektronikkarten Fahren/kombination; Cartes électroniques déplacement/combinaison;	<b>MCU</b>
<b>5720-00005</b>	<b>Work function PCBs</b> Elektronikkort arbetsfunktion; Elektronikkarten Arbeitsfunktion; Cartes électroniques fonction de travail;	<b>FCU</b>
<b>5790-00019</b>	<b>Safely electronics harnesses, fuse</b> Skyddselektronikkablage/-säkring; Verkabelung, Sicherung Schutzelektronik; Faisceaux/câbles de commande, fusible, électronique de protection;	
<b>5830-00112</b>	<b>Safety probes/ sensors</b> Säkerhets-givare/-sensorer; Sicherheitsgeber/-sensor; Capteurs de sécurité;	
<b>5830-00122</b>	<b>Safety probes/ sensors</b> Säkerhets-givare/-sensorer; Sicherheitsgeber/-sensor; Capteurs de sécurité;	
<b>5840-00013</b>	<b>Aisle probes/sensors</b> Gångindikeringsgivare/-sensor; "Im Gang"-geber/-sensor; Capteurs d'indication "en allée";	<b>Means of attachment / Wiring harness</b>
<b>5840-00014</b>	<b>Aisle probes/sensors</b> Gångindikeringsgivare/-sensor; "Im Gang"-geber/-sensor; Capteurs d'indication "en allée";	<b>Aisle indication</b>
<b>5840-00015</b>	<b>Aisle probes/sensors</b> Gångindikeringsgivare/-sensor; "Im Gang"-geber/-sensor; Capteurs d'indication "en allée";	<b>End of aisle brake</b>
<b>5840-00017</b>	<b>Aisle probes/sensors</b> Gångindikeringsgivare/-sensor; "Im Gang"-geber/-sensor; Capteurs d'indication "en allée";	<b>Individual aisle idetification</b>
<b>5840-00018</b>	<b>Aisle probes/sensors</b> Gångindikeringsgivare/-sensor; "Im Gang"-geber/-sensor; Capteurs d'indication "en allée";	<b>Aisel end stop</b>

## 0340-00357 Inspection covers

[2003-06-17]

Huvar, luckor; Hauben, Abdeckungen; Capots, couvercles;

			712 C15	564221 -
Pos	Description	Pcs	Part No	Note
11	Lock Lås; Schloss; Verrou	1	209871	
12	Arm Arm; Arm; Bras	1	209872	
13	Consol Konsol; Konsole; Console	1	212805	
14	Screw Skruv; Schraube; Vis	2	29592	
15	Nut Mutter; Mutter; Ecrou	2	173037	
16	Guide ring Styrring; Steuerring; Anneau de guidage	1	136937	
17	Screw Skruv; Schraube; Vis	2	24488	
18	Link Länk; Gelenk; Bras	1	209874	
19	Spring Fjäder; Feder; Ressort	1	25969	
20	Ear Öra; Halter; Etrier	1	209873	
21	Nut Mutter; Mutter; Ecrou	2	29790	
22	Lock Lås; Schloss; Verrou	1	208433	
23	Screw Skruv; Schraube; Vis	2	21141	
24	Washer Bricka; Scheibe; Rondelle	2	20404	
25	Nut Mutter; Mutter; Ecrou	2	173037	
26	Consol Konsol; Konsole; Console	1	202825	
27	Nut Mutter; Mutter; Ecrou	2	20081	
28	Washer Bricka; Scheibe; Rondelle	2	20404	
29	Pin Tapp; Zapfen; Pivot	1	202824	
30	Guide pin Styrtapp; Führungstift; Goupille de guidage	1	136936	
31	Washer Bricka; Scheibe; Rondelle	2	20228	
32	Nut Mutter; Mutter; Ecrou	1	20777	
33	Cotter pin Saxpinne; Gespalter stift; Goupille fendue	4	21445	
34	Gas suspension Gasfjäder; Gasfederung; Suspension à gaz	1	211659	
35	Washer Bricka; Scheibe; Rondelle	1	20348	
36	Nut Mutter; Mutter; Ecrou	1	20045	
37	Catch Spärr; Sperre; Arret	1	213226	
38	Nut Mutter; Mutter; Ecrou	1	20016	
39	Washer Bricka; Scheibe; Rondelle	1	42993	
40	Washer Bricka; Scheibe; Rondelle	2	20348	
41	Screw Skruv; Schraube; Vis	2	20439	

**0510-00015 Cabin fixing points**

[2003-10-01]

Hyttinfästning; Kabinenbefestigung; Points de fixation cabine;

Roller; Rulle; Rolle; Roleau		712 C15	564221 -	
Pos	Description	Pcs	Part No	Note
11	<b>Roller(Complete)</b> Rulle(Komplett); Rolle(Komplett); Roleau(Comple)	4	145716	
12	<b>Bracket</b> Fäste; Halterung; Support	4	145718	
13	<b>Axle</b> Axel; Achse; Axe	4	145719	
14	<b>Locking ring</b> Spärring; Schliessring; Circlip	8	20019	
15	<b>Roller</b> Rulle; Rolle; Roleau	8	29764	
16	<b>Washer</b> Bricka; Scheibe; Rondelle	16	47886	
17	<b>Shim(0,5 mm)</b> Shims; Schim; Cale		146012-001	
17	<b>Shim(1 mm)</b> Shims; Schim; Cale		146012-002	
17	<b>Shim(0,8 mm)</b> Shims; Schim; Cale		146012-003	
18	<b>Screw</b> Skruv; Schraube; Vis	16	20400	
19	<b>Roller</b> Rulle; Rolle; Roleau		147497	A = 108,9 mm
19	<b>Roller</b> Rulle; Rolle; Roleau		147498	A = 109,4 mm
19	<b>Roller</b> Rulle; Rolle; Roleau		211300	A = 109,9 mm
19	<b>Roller</b> Rulle; Rolle; Roleau		211301	A = 110,4 mm
19	<b>Roller</b> Rulle; Rolle; Roleau		211302	A = 110,9 mm
20	<b>Shim(1 mm)</b> Shims; Schim; Cale		27237	
21	<b>Shim(0,5 mm)</b> Shims; Schim; Cale		200392-001	
21	<b>Shim(0,8 mm)</b> Shims; Schim; Cale		200392-002	
21	<b>Shim(1 mm)</b> Shims; Schim; Cale		200392-003	
22	<b>Stop bar</b> Anslag; Anschlag; Arret	2	211878	
23	<b>Screw</b> Skruv; Schraube; Vis	4	28447	
24	<b>Screw</b> Skruv; Schraube; Vis	6	28232	
25	<b>Friction block</b> Glidkloss; Gleitstück; Curseur	2	200391	





**1710-00080 Electric pump motor**

[2003-06-17]

Elektrisk pumpmotor; Elektro-Pumpenmotor; Moteur de pompe électrique;

Steering; Styrning; Steuern; Commande		712 C15	564221 -	
Pos	Description	Pcs	Part No	Note
01	Motor(Complete) Motor(Komplett); Motor(Komplett); Moteur(Complet)	1	171927	
11	Rotor Rotor; Rotor; Rotor	1	180122	
12	Stator Stator; Ständer; Stator	1	180123	
13	Bearing Lager; Lager; Roulement	1	28887	
14	Washer Bricka; Scheibe; Rondelle	1	21656	
15	End shield Lagersköld; Lagerschild; Bouclier	1	173910	
16	Sealing ring Tätningring; Dichtungsring; Bague d'étanchéité	1	22290	
17	Screw Skruv; Schraube; Vis	6	20343	
18	Washer Bricka; Scheibe; Rondelle	6	21307	
25	Fan Fläkt; Kühlgebläse; Ventilateur	1	28322	
27	Screw Skruv; Schraube; Vis	4	22780	
28	Washer Bricka; Scheibe; Rondelle	4	21307	
29	Nut Mutter; Mutter; Ecrou	4	20235	
30	Washer Bricka; Scheibe; Rondelle	4	26101	
31	End plate Ändplatta; Endplatte; Plaque terminale	1	180125	
32	Screw(With cable) Skruv(Med kabel); Schraube(Mit Kabel); Vis(Avec Câble)	1	180126	
33	Washer Bricka; Scheibe; Rondelle	6	21275	
34	Nut Mutter; Mutter; Ecrou	6	20081	
35	Insulation plate Isolerplatta; Isolierplatte; Plaque isolation	1	180142	
36	Screw Skruv; Schraube; Vis	2	26654	
37	Plate Plåt; Platte; Plaque	2	180129	
38	Screw Skruv; Schraube; Vis	4	21661	
39	Carbon brush Kolborste; Kohlebürste; Charbon	8	180128	
40	End shield Lagersköld; Lagerschild; Bouclier	1	173909	
41	Screw Skruv; Schraube; Vis	6	26652	
42	Washer Bricka; Scheibe; Rondelle	6	21307	
43	Protection Skydd; Schutz; Protègee	1	26656	
44	Brush bridge Borstbrygga; Bürstenbrücke; Support de porte balais	1	180124	
45	Locking ring Spårring; Schliessring; Circlip	1	26651	
46	Ball bearing Kullager; Kugellager; Roulement a billes	1	28886	
47	Cover Lock; Deckel; Couvercle	1	180141	

**2550-00064 Mechanical drive gear unit**

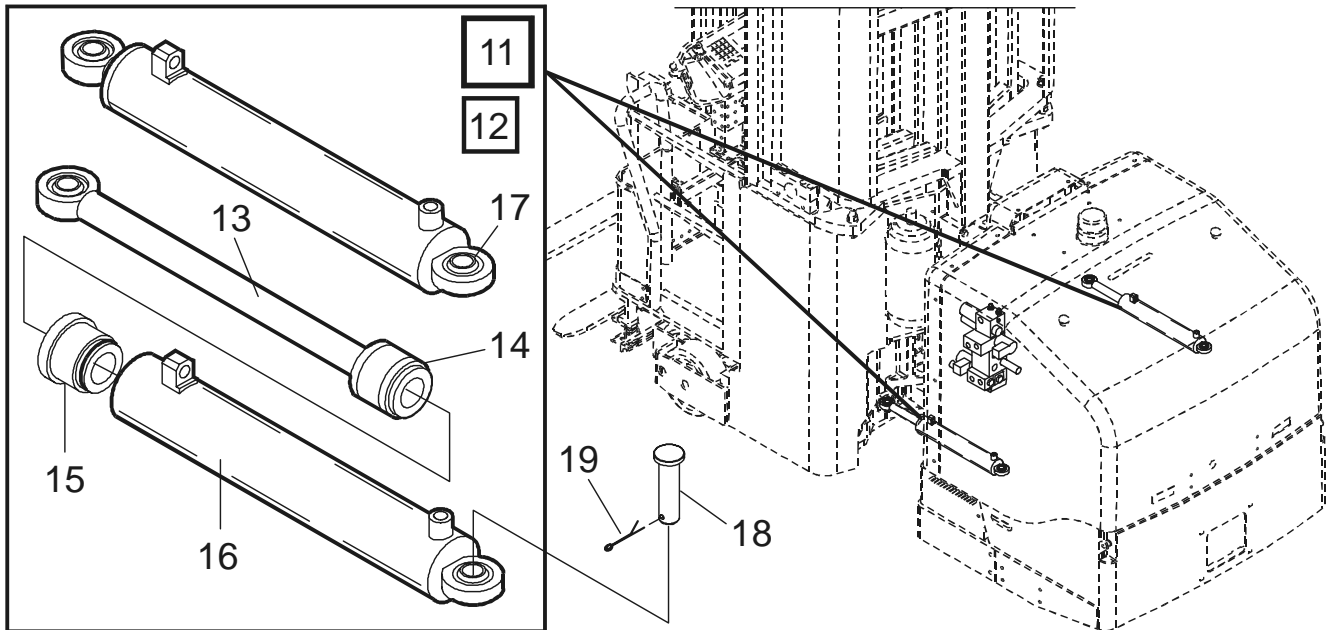
[2003-06-17]

Drivaggregat/-växel; Antriebsaggregat/-getriebe; Groupe de traction, réducteur;

			712 C15	564221 -
Pos	Description	Pcs	Part No	Note
01	Driving gear compl. Drivväxel kompl.; Antriebsatz kompl.; Groupe de entrainement compl.	2	171464	
11	Screw Skruv; Schraube; Vis	4	26327	
12	Washer Bricka; Scheibe; Rondelle	2	27213	
13	Screw Skruv; Schraube; Vis	2	27212	
14	Screw Skruv; Schraube; Vis	12	20078	
16	Screw Skruv; Schraube; Vis	16	23932	
17	Screw Skruv; Schraube; Vis	4	28344	
18	Gear wheel Kuggjul; Zahnrad; Roue dentée	2	150898	
19	Spare part kit : Bevel gear Reservdelssats : Koniskt kuggjul; Satz : Kegelfrad; Jeux : Roue conique à denture droite	2	150869	
20	Protection Skydd; Schutz; Protègee	2	182728	
21	Screw Skruv; Schraube; Vis	14	150881	
22	Axle Axel; Achse; Axe	2	150868	
23	Sealing Tätning; Dichtung; Joint	2	29888	
24	Shim(0,05 mm) Shims; Schim; Cale		150885-001	
24	Shim(0,1mm) Shims; Schim; Cale		150885-002	
24	Shim(0,2 mm) Shims; Schim; Cale		150885-003	
24	Shim(0,3 mm) Shims; Schim; Cale		150885-004	
24	Shim(0,5 mm) Shims; Schim; Cale		150885-005	
24	Shim(0,15 mm) Shims; Schim; Cale		150885-006	
25	Roller bearing Rullager; Rollenlager; Palier à rouleaux	2	29864	
26	Shim(0,05 mm) Shims; Schim; Cale		150884-001	
26	Shim(0,1mm) Shims; Schim; Cale		150884-002	
26	Shim(0,2 mm) Shims; Schim; Cale		150884-003	
26	Shim(0,3 mm) Shims; Schim; Cale		150884-004	
26	Shim(0,5 mm) Shims; Schim; Cale		150884-005	
26	Shim(0,15 mm) Shims; Schim; Cale		150884-006	
27	Roller bearing Rullager; Rollenlager; Palier à rouleaux	2	29865	
28	O-ring O-ring; O-ring; Joint torique	2	29886	
29	Washer Bricka; Scheibe; Rondelle	2	150900	
30	Nut Mutter; Mutter; Ecrou	2	139714	

4160-00004

P0017494

**4160-00004 Servo-motor/cylinder**

[2003-06-17]

Servo-motor/cylinder; Servomotor, Lenkhilfezylindersteuerzylinder; Moteur hydraulique, vérin de direction;

Hydraulic steering; Hydraulisk styrning; Hydraulische steuerung; Com- mande hydraulique		712 C15	564221 -	
Pos	Description	Pcs	Part No	Note
11	Cylinder(Complete) Cylinder(Komplett); Zylinder(Komplett); Verin(Complet)	2	202868	
12	Packing set Packningssats; Packungssatz; Jeux d' étanchéité.	2	174234	
13	Piston rod Kolvstång; Kolbenstange; Tige de piston	2	210511	
14	Piston Kolv; Kolben; Piston	2	210510	
15	Guide Styrning; Steuerung; Guidage	2	210509	
16	Cylinder pipe Cylinderrör; Zylinderrohr; Tube de cylindre	2	210512	
17	Bearing Lager; Lager; Roulement	4	211307	
18	Cylinder bolt Cylindrisk bult; Zylinderbolzen; Boulon de cylindrique	4	28283	
19	Cotter pin Saxpinne; Gespalter stift; Goupille fendue	4	23602	





CLICK HERE TO **DOWNLOAD** THE COMPLETE MANUAL

- Thank you very much for reading the preview of the manual.
- You can download the complete manual from: [www.heydownloads.com](http://www.heydownloads.com) by clicking the link below



- Please note: If there is no response to CLICKING the link, please download this PDF first and then click on it.

CLICK HERE TO **DOWNLOAD** THE COMPLETE MANUAL

**5590-00094 Work function harnesses/ fuse**

[2003-10-17]

Arbeitsfunktionskablage/ -säkring; Steurstromverkabelung/ -Sicherung; Câblage/ fusible fonction de travail;

Mast; Stativ; Hubgerüst; Mât		712 C15	564221 -	
Pos	Description	Pcs	Part No	Note
18	Roller Rulle; Rolle; Roleau	1	183141	
19	Roller Rulle; Rolle; Roleau	1	183142	
26	Wiring harness Kablage; Kabelsatz; Câblage	1	202525-101	H12 = 4100 mm
26	Wiring harness Kablage; Kabelsatz; Câblage	1	202525-106	H12 = 4700 mm
26	Wiring harness Kablage; Kabelsatz; Câblage	1	202525-111	H12 = 5300 mm
26	Wiring harness Kablage; Kabelsatz; Câblage	1	202525-116	H12 = 6050 mm
26	Wiring harness Kablage; Kabelsatz; Câblage	1	202525-121	H12 = 7400 mm
26	Wiring harness Kablage; Kabelsatz; Câblage	1	202525-126	H12 = 8600 mm
26	Wiring harness Kablage; Kabelsatz; Câblage	1	202525-131	H12 = 9800 mm
26	Wiring harness Kablage; Kabelsatz; Câblage	1	202525-136	H12 = 11000 mm
26	Wiring harness Kablage; Kabelsatz; Câblage	1	202525-141	H12 = 11600 mm
26	Wiring harness Kablage; Kabelsatz; Câblage	1	202525-146	H12 = 12650 mm
27	Wiring harness Kablage; Kabelsatz; Câblage	1	202524-101	H12 = 4100 mm
27	Wiring harness Kablage; Kabelsatz; Câblage	1	202524-106	H12 = 4700 mm
27	Wiring harness Kablage; Kabelsatz; Câblage	1	202524-111	H12 = 5300 mm
27	Wiring harness Kablage; Kabelsatz; Câblage	1	202524-116	H12 = 6050 mm
27	Wiring harness Kablage; Kabelsatz; Câblage	1	202524-121	H12 = 7400 mm
27	Wiring harness Kablage; Kabelsatz; Câblage	1	202524-126	H12 = 8600 mm
27	Wiring harness Kablage; Kabelsatz; Câblage	1	202524-131	H12 = 9800 mm
27	Wiring harness Kablage; Kabelsatz; Câblage	1	202524-136	H12 = 11000 mm
27	Wiring harness Kablage; Kabelsatz; Câblage	1	202524-141	H12 = 11600 mm
27	Wiring harness Kablage; Kabelsatz; Câblage	1	202524-146	H12 = 12650 mm
28	Bracket Fäste; Halterung; Support	1	169376-007	
29	Screw Skruv; Schraube; Vis	2	20400	
30	Pulley wheel Brythjul; Umlenkrollen; Galet de renvoi	1	183109	
31	Screw Skruv; Schraube; Vis	2	20259	
32	Washer Bricka; Scheibe; Rondelle	2	20375	
33	Nut Mutter; Mutter; Ecrou	4	20255	
33	Screw Skruv; Schraube; Vis	4	21252	
33	Washer Bricka; Scheibe; Rondelle	8	22417	



**5840-00014 Aisle probes/sensors**

[2003-06-17]

Gångindikeringsgivare/-sensor; "Im Gang"-geber/-sensor; Capteurs d'indication "en allée";

Aisle indication; Gångindikering; Gangerkennung; Indicateurs d'allée		712 C15	564221 -	
Pos	Description	Pcs	Part No	Note
11	<b>Magnet switch(Kit)</b> Magnetbrytare(Sats); Magnetschalter(satz); Rupteur de bobine(Jeux)	1	183467	Aisle indication Gångindikering; Gangerkennung; Indicateurs d'allée
12	<b>Bracket</b> Fäste; Halterung; Support	2	213600	
13	<b>Screw</b> Skruv; Schraube; Vis	4	20259	
14	<b>Washer</b> Bricka; Scheibe; Rondelle	4	20375	
15	<b>Nut</b> Mutter; Mutter; Ecrou	16	20255	
16	<b>Washer</b> Bricka; Scheibe; Rondelle	16	21392	
17	<b>Damper</b> Dämpare; Dämpfer; Attenteur	8	136060	
18	<b>Magnet switch</b> Magnetbrytare; Magnetschalter; Rupteur de bobine	2	213594-070	
19	<b>Magnet switch</b> Magnetbrytare; Magnetschalter; Rupteur de bobine	2	213594-070	

**6120-00199 Hydraulic tank lines**

[2003-06-17]

Tankhydraulledning; Hydrauliktankleitungen; Tuyaux réservoir hydraulique;

Pos	Description	Pcs	Part No	Note
			712 C15	564221 -
11	Clamp Klamma; Rohrschelle; Collier	1	21239	
12	Hose Slang; Schlauch; Tuyau flexible	1	200271	
13	Clamp Klamma; Rohrschelle; Collier	1	20710	
14	Screw Skruv; Schraube; Vis	4	20276	
15	Washer Bricka; Scheibe; Rondelle	4	21275	
16	Connection Koppling; Kupplung; Raccord	1	142350	
17	O-ring O-ring; O-ring; Joint torique	1	28116	
18	Clamp Klamma; Rohrschelle; Collier	1	26969	
19	Hose Slang; Schlauch; Tuyau flexible	1	201721	
20	Clamp Klamma; Rohrschelle; Collier	1	28691	
21	Pipe Rör; Rohr; Tube	1	133645-005	
22	Connection Koppling; Kupplung; Raccord	1	28781	
23	Clamp Klamma; Rohrschelle; Collier	1	20710	
24	Hose Slang; Schlauch; Tuyau flexible	1	173434-002	
25	Connection Koppling; Kupplung; Raccord	1	29716	
26	Hose Slang; Schlauch; Tuyau flexible	1	203015	
27	Washer Bricka; Scheibe; Rondelle	4	21351	
28	Screw Skruv; Schraube; Vis	4	20871	
29	Clamp Klamma; Rohrschelle; Collier	1	20710	
30	Connection Koppling; Kupplung; Raccord	1	141175	
31	O-ring O-ring; O-ring; Joint torique	1	21761	
32	Connection Koppling; Kupplung; Raccord	1	28781	
33	Connection Koppling; Kupplung; Raccord	1	28781	
34	Hose Slang; Schlauch; Tuyau flexible	1	203016	
35	Connection Koppling; Kupplung; Raccord	1	26202	
38	Clamp Klamma; Rohrschelle; Collier	1	21239	
39	Hose Slang; Schlauch; Tuyau flexible	1	200272	
40	Connection Koppling; Kupplung; Raccord	1	28064	
41	Hose Slang; Schlauch; Tuyau flexible	1	202982	
42	Connection Koppling; Kupplung; Raccord	1	28947	

**6230-00089 Hydraulic lines chassis**

[2003-06-17]

Chassimonterade hydraulledningar; Hydraulikleitungen Chassis; Circuits hydrauliques châssis;

		712 C15		564221 -	
Pos	Description	Pcs	Part No	Note	
11	Connection Koppling; Kupplung; Raccord	2	28781	H12 < = 8600 mm	
11	Connection Koppling; Kupplung; Raccord	4	28781	H12 > 8600 mm	
12	Connection Koppling; Kupplung; Raccord	2	28801	H12 < = 8600 mm	
12	Connection Koppling; Kupplung; Raccord	4	28801	H12 > 8600 mm	
13	Pipe Rör; Rohr; Tube	1	200686	H12 < = 8600 mm	
13	Pipe Rör; Rohr; Tube	2	200686	H12 > 8600 mm	
14	Connection Koppling; Kupplung; Raccord	1	28781		
15	Pipe Rör; Rohr; Tube	1	200687		
16	Connection Koppling; Kupplung; Raccord	1	29532		
17	Connection Koppling; Kupplung; Raccord	2	28781		
18	Pipe Rör; Rohr; Tube	1	181244		
19	Pipe Rör; Rohr; Tube	1	181245		
20	Connection Koppling; Kupplung; Raccord	2	29532		
21	Connection Koppling; Kupplung; Raccord	2	28801		
22	Connection Koppling; Kupplung; Raccord	4	28797		
23	Pipe Rör; Rohr; Tube	1	182750		
24	Pipe Rör; Rohr; Tube	1	182749		
25	Connection Koppling; Kupplung; Raccord	2	28781		
26	Connection Koppling; Kupplung; Raccord	2	28781		
27	Hose Slang; Schlauch; Tuyau flexible	1	202664	L = 1150 mm	
28	Hose Slang; Schlauch; Tuyau flexible	1	202665	L = 1160 mm	
29	Hose Slang; Schlauch; Tuyau flexible	1	202666	L = 1580 mm	
30	Hose Slang; Schlauch; Tuyau flexible	1	202667	L = 1560 mm	
31	Nut Mutter; Mutter; Ecrou	2	20130		
32	Washer Bricka; Scheibe; Rondelle	2	20348		
33	Stud screw Pinnskruv; Stiftschraube; Prisonnier	2	25173		
34	Clamp Klamma; Rohrschelle; Collier	2	201718		
35	Plate Plåt; Platte; Plaque	1	201719		
36	Nut Mutter; Mutter; Ecrou	4	28931		
37	Bracket Fäste; Halterung; Support	1	203133		
38	Washer Bricka; Scheibe; Rondelle	2	20348		

**6320-00172 Mast hydraulic lines**

[2003-08-25]

Stativhydraulledning; Hydraulikleitungen Hubeinrichtung; Circuits hydrauliques mât;

Cabin; Hytt; Kabine; Cabine		712 C15	564221 -	
Pos	Description	Pcs	Part No	Note
11	Chain complete Kedja komplett; Ketten komplett ; Chaîne complete	1	208449-101	H12 = 4100 mm
11	Chain complete Kedja komplett; Ketten komplett ; Chaîne complete	1	208449-106	H12 = 4700 mm
11	Chain complete Kedja komplett; Ketten komplett ; Chaîne complete	1	208449-111	H12 = 5300 mm
11	Chain complete Kedja komplett; Ketten komplett ; Chaîne complete	1	208449-116	H12 = 6050 mm
11	Chain complete Kedja komplett; Ketten komplett ; Chaîne complete	1	208449-121	H12 = 7400 mm
11	Chain complete Kedja komplett; Ketten komplett ; Chaîne complete	1	208449-126	H12 = 8600 mm
11	Chain complete Kedja komplett; Ketten komplett ; Chaîne complete	1	208449-131	H12 = 9800 mm
11	Chain complete Kedja komplett; Ketten komplett ; Chaîne complete	1	208449-136	H12 = 11000 mm
11	Chain complete Kedja komplett; Ketten komplett ; Chaîne complete	1	208449-141	H12 = 11600 mm
11	Chain complete Kedja komplett; Ketten komplett ; Chaîne complete	1	208449-146	H12 = 12650 mm
12	Bracket Fäste; Halterung; Support	1	208668	
13	Chain link Kedjelänk; Kettengelink; Tôle de chaîne		208667	
14	Support Stöd; Stütze; Appui		208735	
15	Bracket Fäste; Halterung; Support	1	208648	
16	Hose Slang; Schlauch; Tuyau flexible	2	183117-101	H12 = 4100 mm
16	Hose Slang; Schlauch; Tuyau flexible	2	183117-106	H12 = 4700 mm
16	Hose Slang; Schlauch; Tuyau flexible	2	183117-111	H12 = 5300 mm
16	Hose Slang; Schlauch; Tuyau flexible	2	183117-116	H12 = 6050 mm
16	Hose Slang; Schlauch; Tuyau flexible	2	183117-121	H12 = 7400 mm
16	Hose Slang; Schlauch; Tuyau flexible	2	183117-126	H12 = 8600 mm
16	Hose Slang; Schlauch; Tuyau flexible	2	183117-131	H12 = 9800 mm
16	Hose Slang; Schlauch; Tuyau flexible	2	183117-136	H12 = 11000 mm
16	Hose Slang; Schlauch; Tuyau flexible	2	183117-141	H12 = 11600 mm
16	Hose Slang; Schlauch; Tuyau flexible	2	183117-146	H12 = 12650 mm
17	Connection Koppling; Kupplung; Raccord	2	28776	
18	Clamp Klamma; Rohrschelle; Collier	2	29811	
19	Screw Skruv; Schraube; Vis	4	20750	
20	Screw Skruv; Schraube; Vis	4	21116	
21	Connection Koppling; Kupplung; Raccord	2	28064	
22	Pipe Rör; Rohr; Tube	1	200685	
23	Pipe Rör; Rohr; Tube	1	200684	

## Quality Parts

6320-00182

Pos	Description	Pcs	Part No	Note
35	Protection Skydd; Schutz; Protègee	1	209206	
36	Nut Mutter; Mutter; Erou	2	20249	
37	Washer Bricka; Scheibe; Rondelle	4	20375	
38	Clamp Klamma; Rohrschelle; Collier	2	183183	
39	Screw Skruv; Schraube; Vis	2	22635	
40	Screw Skruv; Schraube; Vis	2	20154	
41	Bracket Fäste; Halterung; Support	1	183334	
42	Connection Koppling; Kupplung; Raccord	2	28856	
43	Connection Koppling; Kupplung; Raccord	1	28801	
44	Connection Koppling; Kupplung; Raccord	1	29532	

Quality Parts

7100-00074

Pos	Description	Pcs	Part No	Note
20	Shim(1 mm) Shims; Schim; Cale		27237	



**7710-00008 Traversing function fork unit**

[2003-09-25]

Traverseringsfunktion gaffelaggr.; Querschubfunktion Gabelaggregat; Fonction translation tête tri-directionnelle;

		712 C15		564221 -	
Pos	Description	Pcs	Part No	Note	
11	Screw Skruv; Schraube; Vis	4	211872		
12	Plate Plåt; Platte; Plaque	4	201137		
13	Slide plate Glidplatta; Gleitplatte; Plaque de incline	2	208356-001	AL = 500-850 mm	
13	Slide plate Glidplatta; Gleitplatte; Plaque de incline	2	208356-002	AL = 900-1500 mm	
14	Washer Bricka; Scheibe; Rondelle	3	20228		
15	Screw Skruv; Schraube; Vis	1	28450		
16	Screw Skruv; Schraube; Vis	1	22342		
17	Hydraulic motor Hydraulmotor; Hydraulikmotor; Moteur hydraulique	1	181567		
18	Key Kil; Keil; Clavette	1	23114		
19	Screw Skruv; Schraube; Vis	3	20276		
20	Washer Bricka; Scheibe; Rondelle	6	20404		
21	Nut Mutter; Mutter; Ecrou	3	20081		
22	Motor bracket Motorfäste; Motorhalterung; Moteur de Support	1	200193		
23	Screw Skruv; Schraube; Vis	1	20276		
24	Nut Mutter; Mutter; Ecrou	1	20170		
25	Roller Rulle; Rolle; Roleau	1	201133		
26	Washer Bricka; Scheibe; Rondelle	1	55464		
27	Screw Skruv; Schraube; Vis	1	20683		
28	Belt Rem; Riemen; Courroie	1	200190		
29	Locking ring Spårring; Schliessring; Circlip	2	23228		
30	Washer Bricka; Scheibe; Rondelle	7	201123		
31	Washer Bricka; Scheibe; Rondelle	2	201122		
32	Roller Rulle; Rolle; Roleau	2	180650		
33	Clamping device Klämbussning; Klemmbuchse; Bague de serrage	3	180651		
34	Locking pin Spännstift; Spannstift; Goupille	1	20686		
35	Guide Genomföring; Durchführung; Guide	1	29524		
36	Screw Skruv; Schraube; Vis	1	21119		
37	Consol Konsol; Konsole; Console	1	201132		
38	Nut Mutter; Mutter; Ecrou	1	20235		
39	Clamp Klamma; Rohrschelle; Collier	1	200192		

**7710-00011 Traversing function fork unit**

[2003-09-23]

Traverseringsfunktion gaffelaggr.; Querschubfunktion Gabelaggregat; Fonction translation tête tri-directionnelle;

		712 C15		564221 -	
Pos	Description	Pcs	Part No	Note	
11	Protection(L = 252 mm) Skydd; Schutz; Protègee	1	203790	SL = 1150-1400 mm	
11	Protection(L = 537 mm) Skydd; Schutz; Protègee	1	203792	SL = 1450-2000 mm	
12	Protection(L = 252 mm) Skydd; Schutz; Protègee	1	203789	SL = 1150-1400 mm	
12	Protection(L = 537 mm) Skydd; Schutz; Protègee	1	203791	SL = 1450-2000 mm	
13	Protection Skydd; Schutz; Protègee	1	203794		
14	Protection Skydd; Schutz; Protègee	1	203793		
16	Plate(L = 1210 mm) Plåt; Platte; Plaque	2	183399-122	SL = 1050 mm	
16	Plate(L = 1260 mm) Plåt; Platte; Plaque	2	183399-127	SL = 1100 mm	
16	Plate(L = 1310 mm) Plåt; Platte; Plaque	2	183399-132	SL = 1150 mm	
16	Plate(L = 1360 mm) Plåt; Platte; Plaque	2	183399-137	SL = 1200 mm	
16	Plate(L = 1410 mm) Plåt; Platte; Plaque	2	183399-142	SL = 1250 mm	
16	Plate(L = 1460 mm) Plåt; Platte; Plaque	2	183399-147	SL = 1300 mm	
16	Plate(L = 1510 mm) Plåt; Platte; Plaque	2	183399-152	SL = 1350 mm	
16	Plate(L = 1560 mm) Plåt; Platte; Plaque	2	183399-157	SL = 1400 mm	
16	Plate(L = 1610 mm) Plåt; Platte; Plaque	2	183399-162	SL = 1450 mm	
16	Plate(L = 1660 mm) Plåt; Platte; Plaque	2	183399-167	SL = 1500 mm	
16	Plate(L = 1710 mm) Plåt; Platte; Plaque	2	183399-172	SL = 1550 mm	
16	Plate(L = 1760 mm) Plåt; Platte; Plaque	2	183399-177	SL = 1600 mm	
16	Plate(L = 1810 mm) Plåt; Platte; Plaque	2	183399-182	SL = 1650 mm	
16	Plate(L = 1860 mm) Plåt; Platte; Plaque	2	183399-187	SL = 1700 mm	
16	Plate(L = 1910 mm) Plåt; Platte; Plaque	2	183399-192	SL = 1750 mm	
16	Plate(L = 1960 mm) Plåt; Platte; Plaque	2	183399-197	SL = 1800 mm	
16	Plate(L = 2010 mm) Plåt; Platte; Plaque	2	183399-202	SL = 1850 mm	
16	Plate(L = 2060 mm) Plåt; Platte; Plaque	2	183399-207	SL = 1900 mm	
16	Plate(L = 2110 mm) Plåt; Platte; Plaque	2	183399-212	SL = 1950 mm	
16	Plate(L = 2160 mm) Plåt; Platte; Plaque	2	183399-217	SL = 2000 mm	
17	Screw Skruv; Schraube; Vis	8	29606		
21	Beam(L = 1212 mm) Balk; Balken; Poutre	1	208700-122		
21	Beam(L = 1262 mm) Balk; Balken; Poutre	1	208700-127		
21	Beam(L = 1312 mm) Balk; Balken; Poutre	1	208700-132		

CLICK HERE TO **DOWNLOAD** THE COMPLETE MANUAL

- Thank you very much for reading the preview of the manual.
- You can download the complete manual from: [www.heydownloads.com](http://www.heydownloads.com) by clicking the link below



- Please note: If there is no response to CLICKING the link, please download this PDF first and then click on it.

CLICK HERE TO **DOWNLOAD** THE COMPLETE MANUAL