

국제트랙터(TRACTOR)

20R series

본체부(CHASSIS PART'S)
부품명세서(PART'S CATALOG)



국제종합기계주식회사

CLICK HERE TO **DOWNLOAD** THE COMPLETE MANUAL

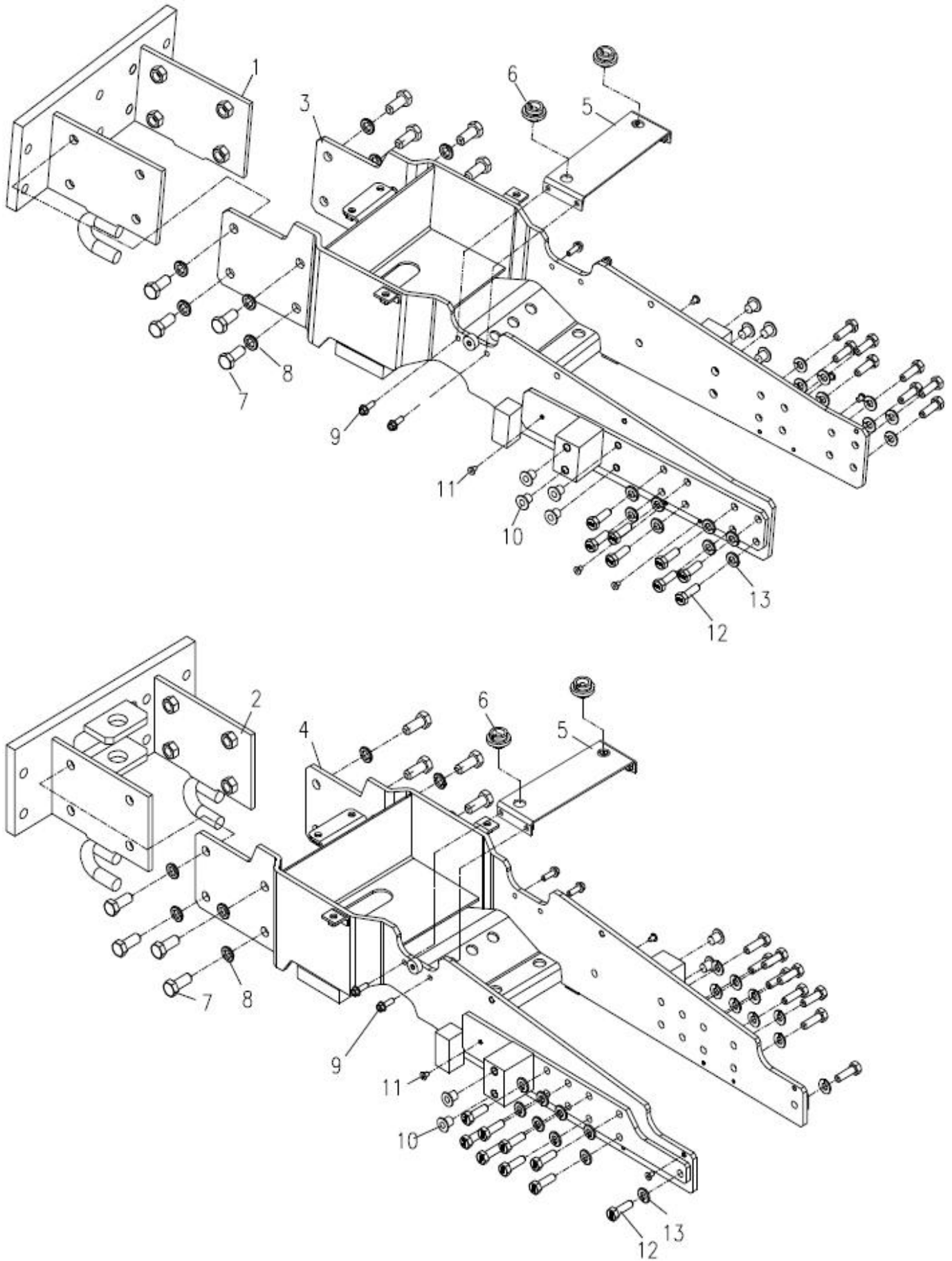
- Thank you very much for reading the preview of the manual.
- You can download the complete manual from: www.heydownloads.com by clicking the link below



- Please note: If there is no response to CLICKING the link, please download this PDF first and then click on it.

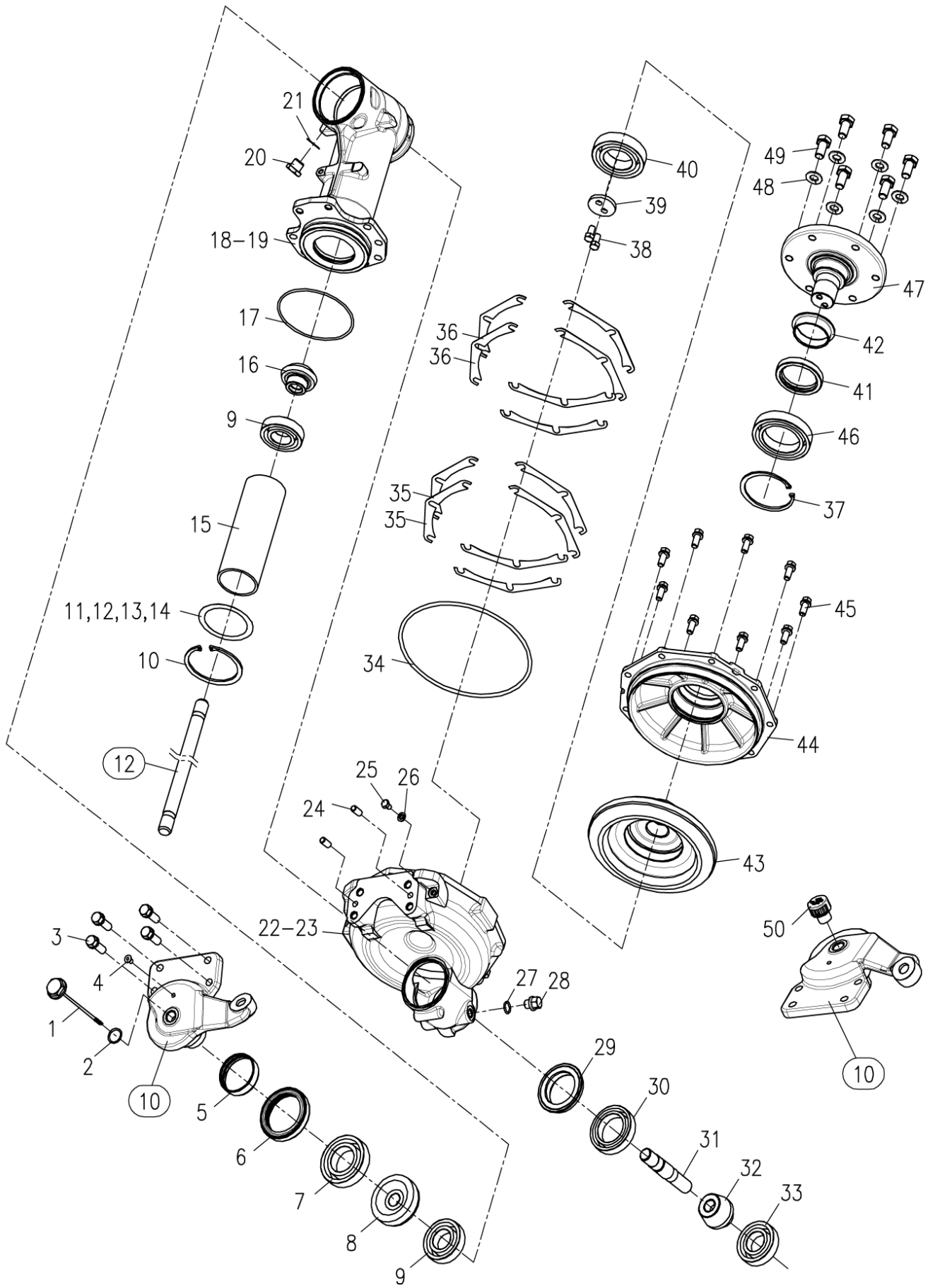
CLICK HERE TO **DOWNLOAD** THE COMPLETE MANUAL

프런트액슬 브래킷 (FRONT AXLE BRACKET)-4



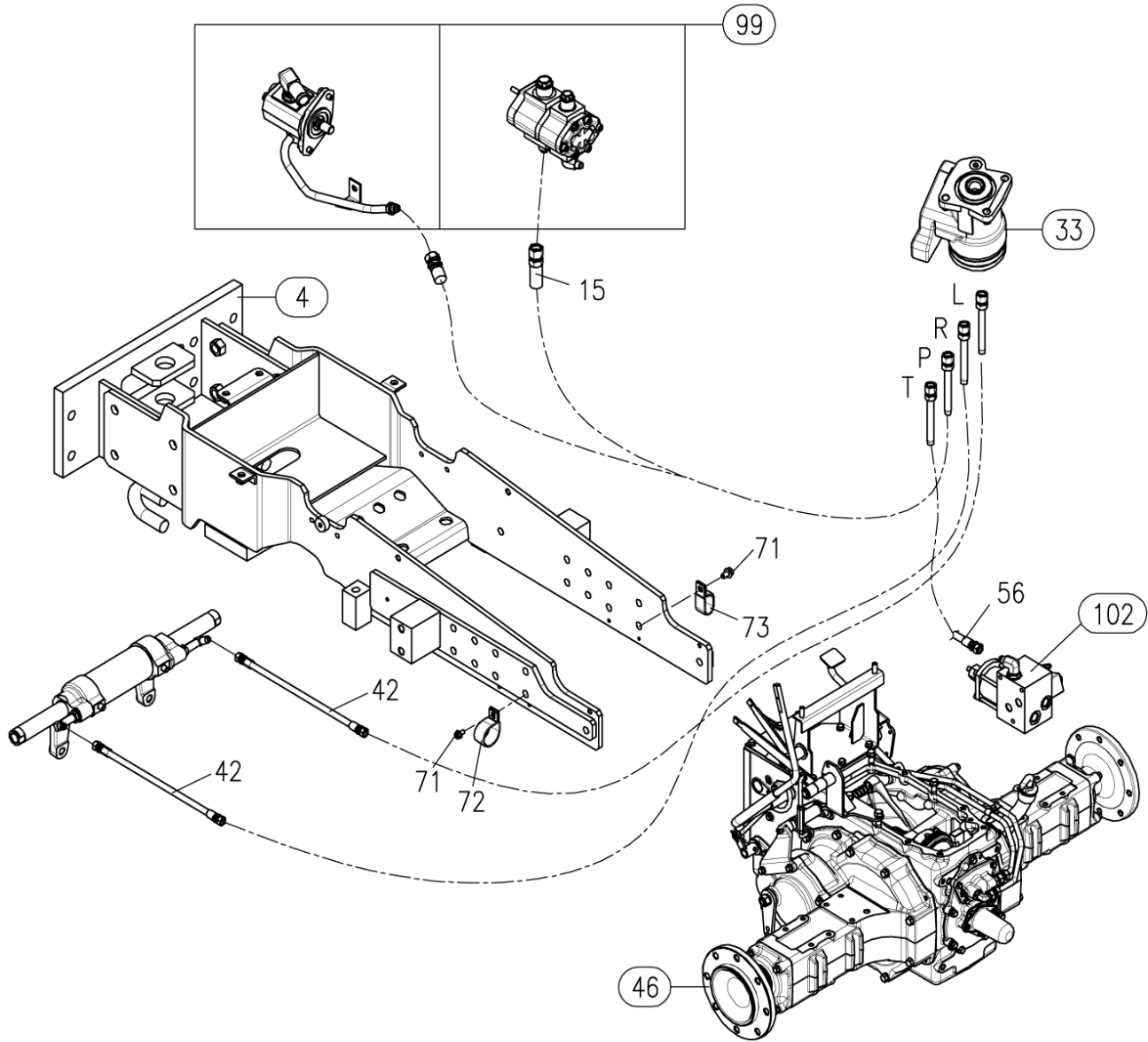
본체 (CHASSIS)

전륜기어케이스 (GEAR CASE, FRONT AXLE)-19



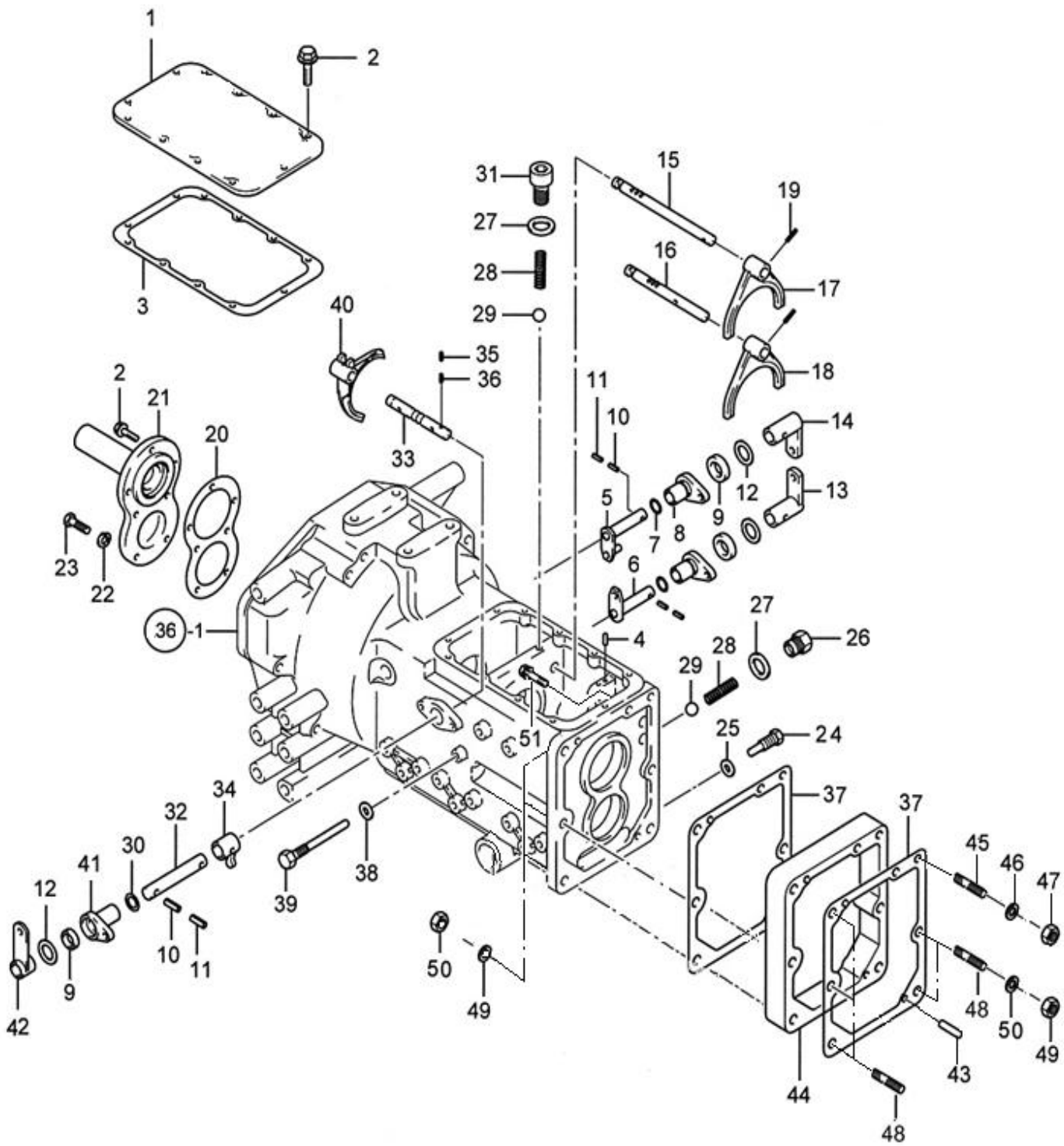
본체(CHASSIS)

P.S.T 파이프 (P.S.T PIPE)-34



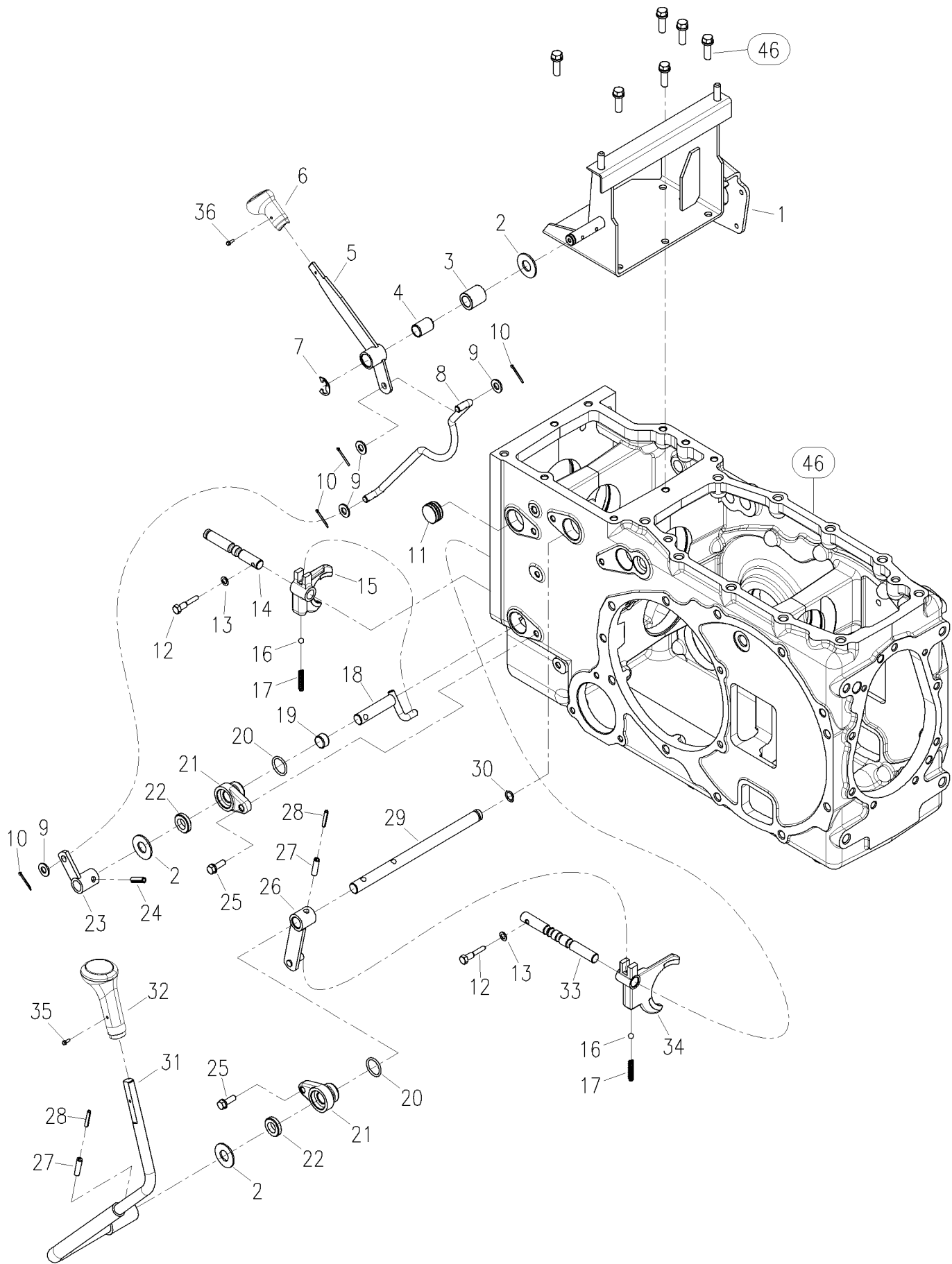
본체 (CHASSIS)

미션케이스 시프트 (TRANSMISSION CASE SHIFT)-41



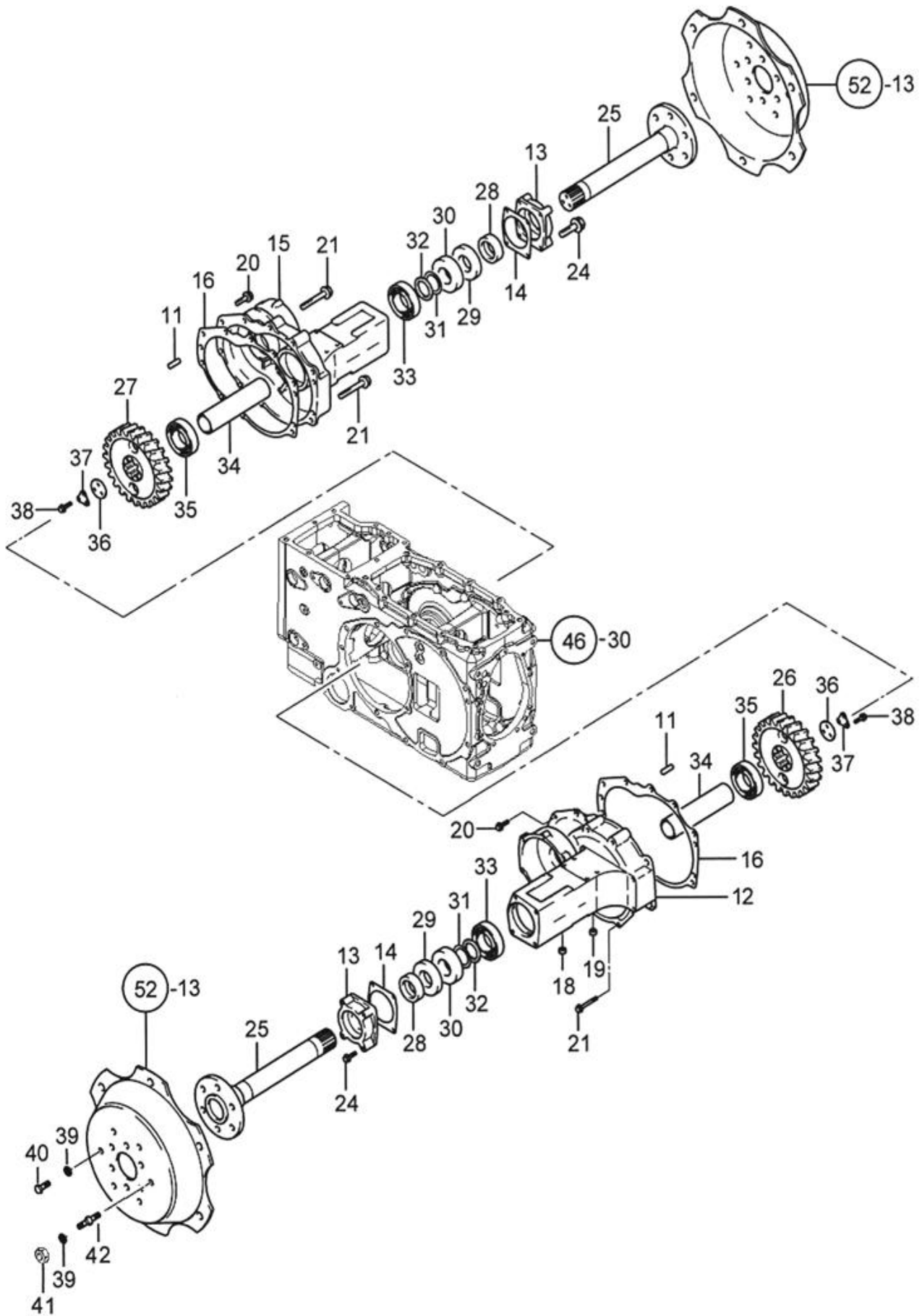
본체 (CHASSIS)

전륜, 부변속, 초저속레버 (FRONT DRIVE & RANGE SHIFT LEVER)-44



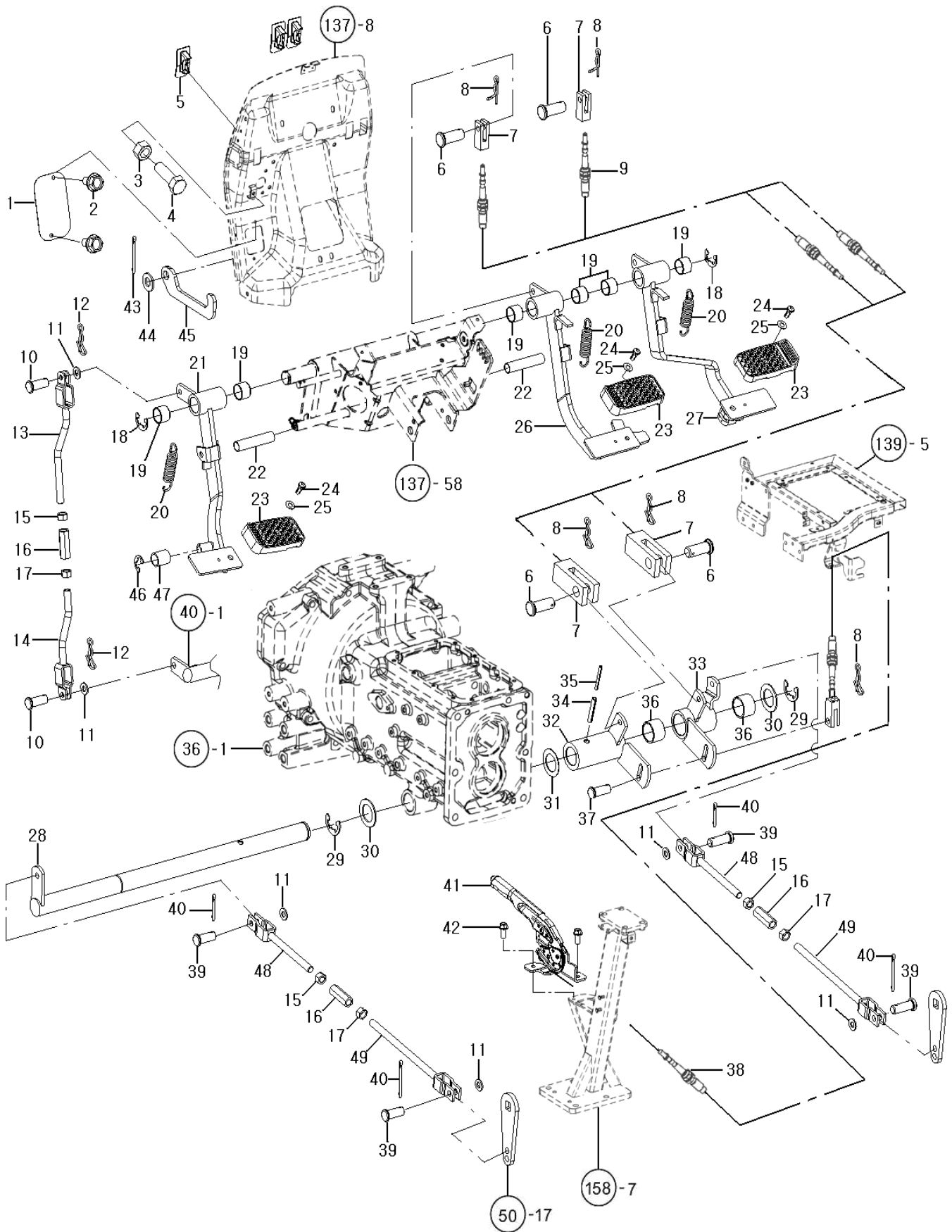
본체(CHASSIS)

후차축하우징 (HOUSING, REAR AXLE)-48



본체(CHASSIS)

브레이크, 클러치페달 (BRAKE, CLUTCH PEDAL)-53



본체(CHASSIS)

CLICK HERE TO **DOWNLOAD** THE COMPLETE MANUAL

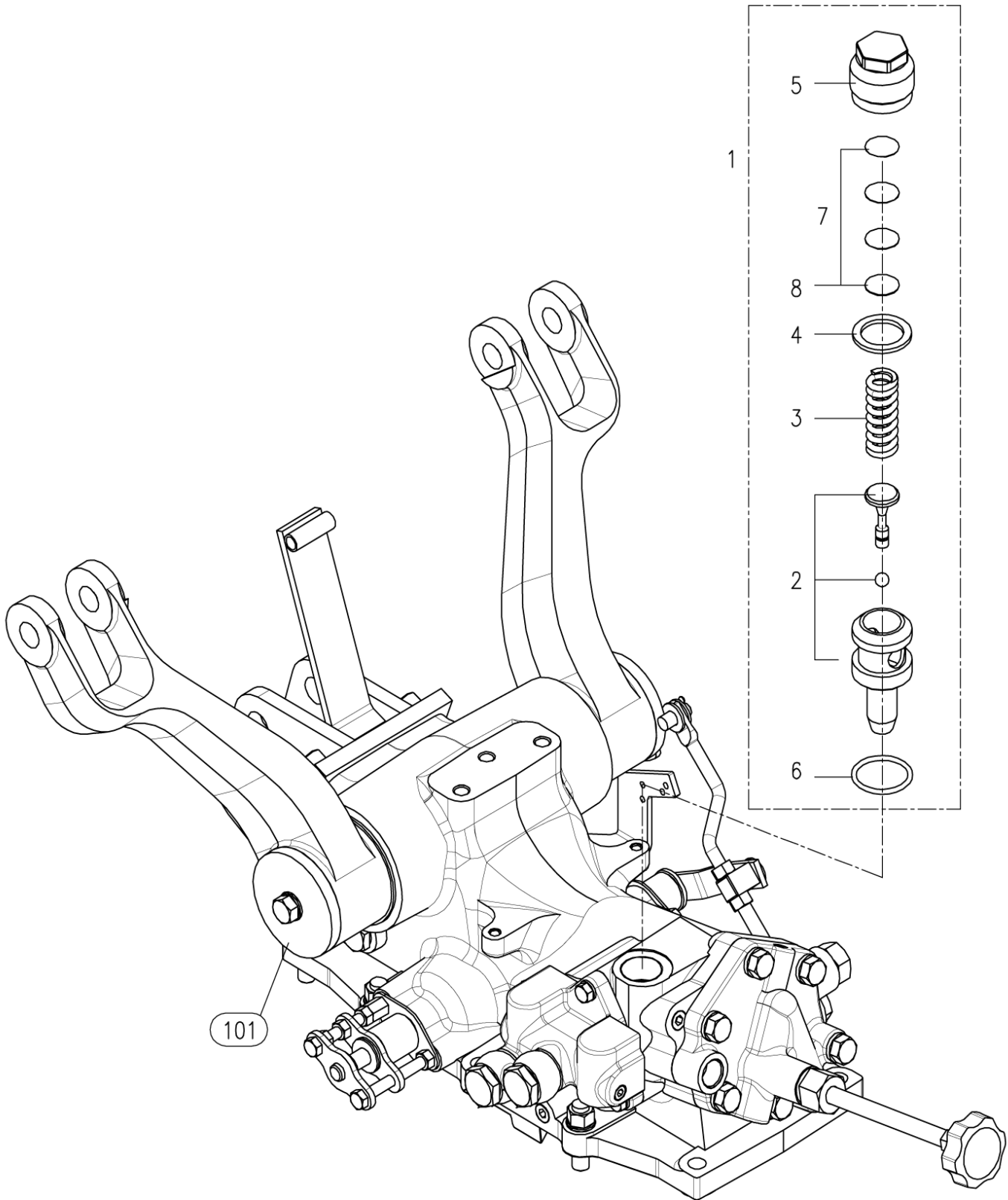
- Thank you very much for reading the preview of the manual.
- You can download the complete manual from: www.heydownloads.com by clicking the link below



- Please note: If there is no response to CLICKING the link, please download this PDF first and then click on it.

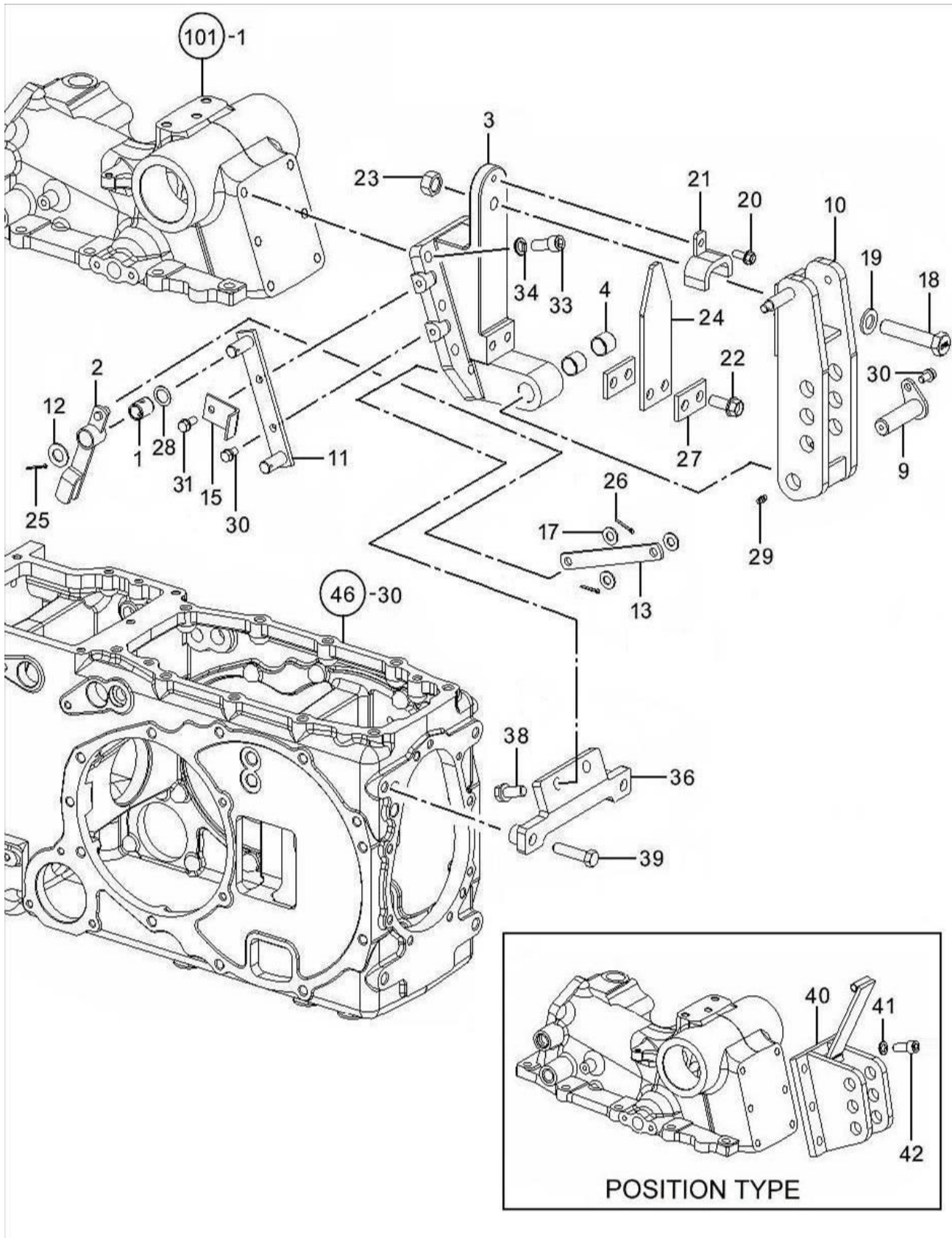
CLICK HERE TO **DOWNLOAD** THE COMPLETE MANUAL

릴리프 밸브 (RELIEF VALVE)-108



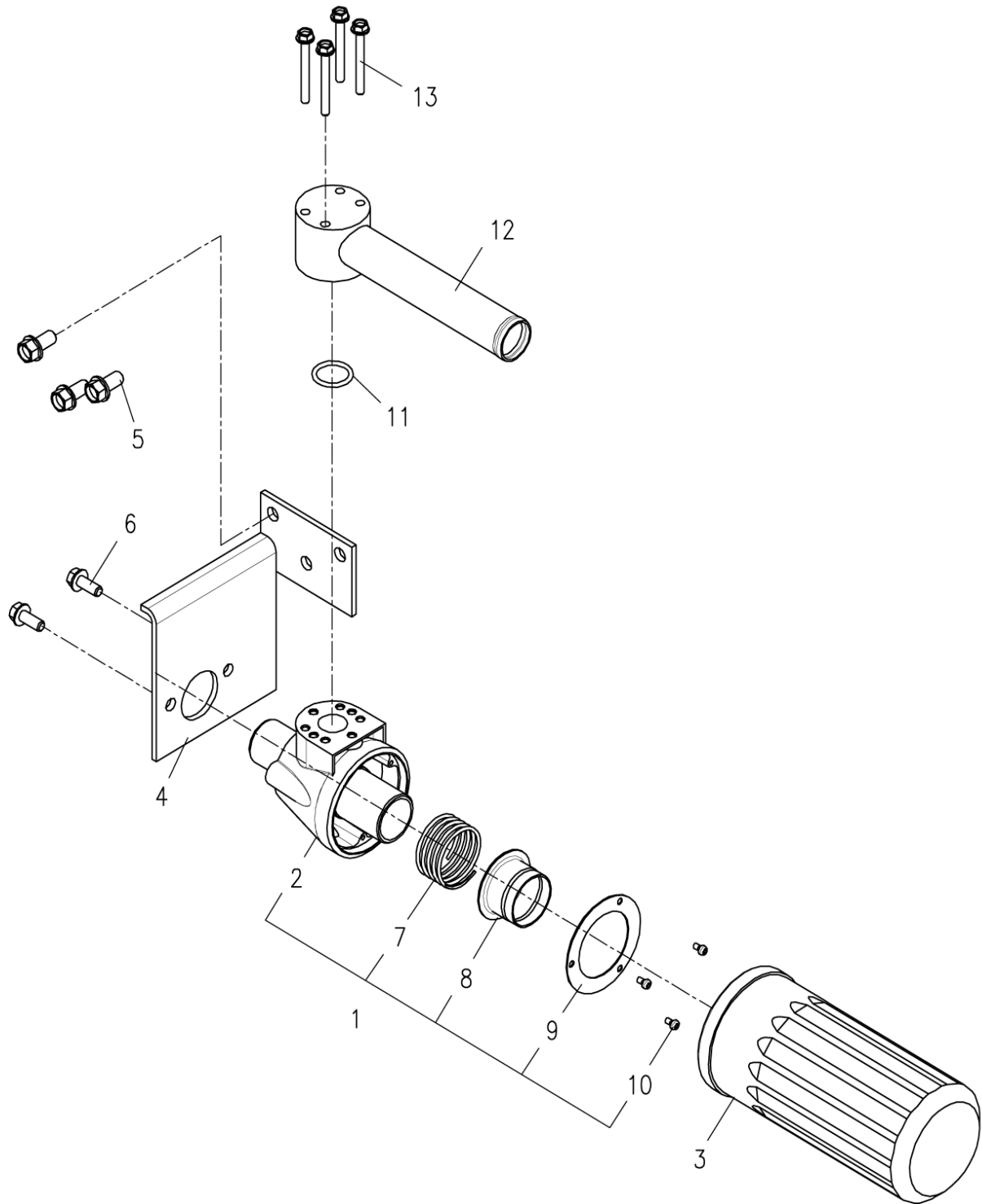
본체 (CHASSIS)

드래프트 컨트롤(DRAFT CONTROL)-(113)



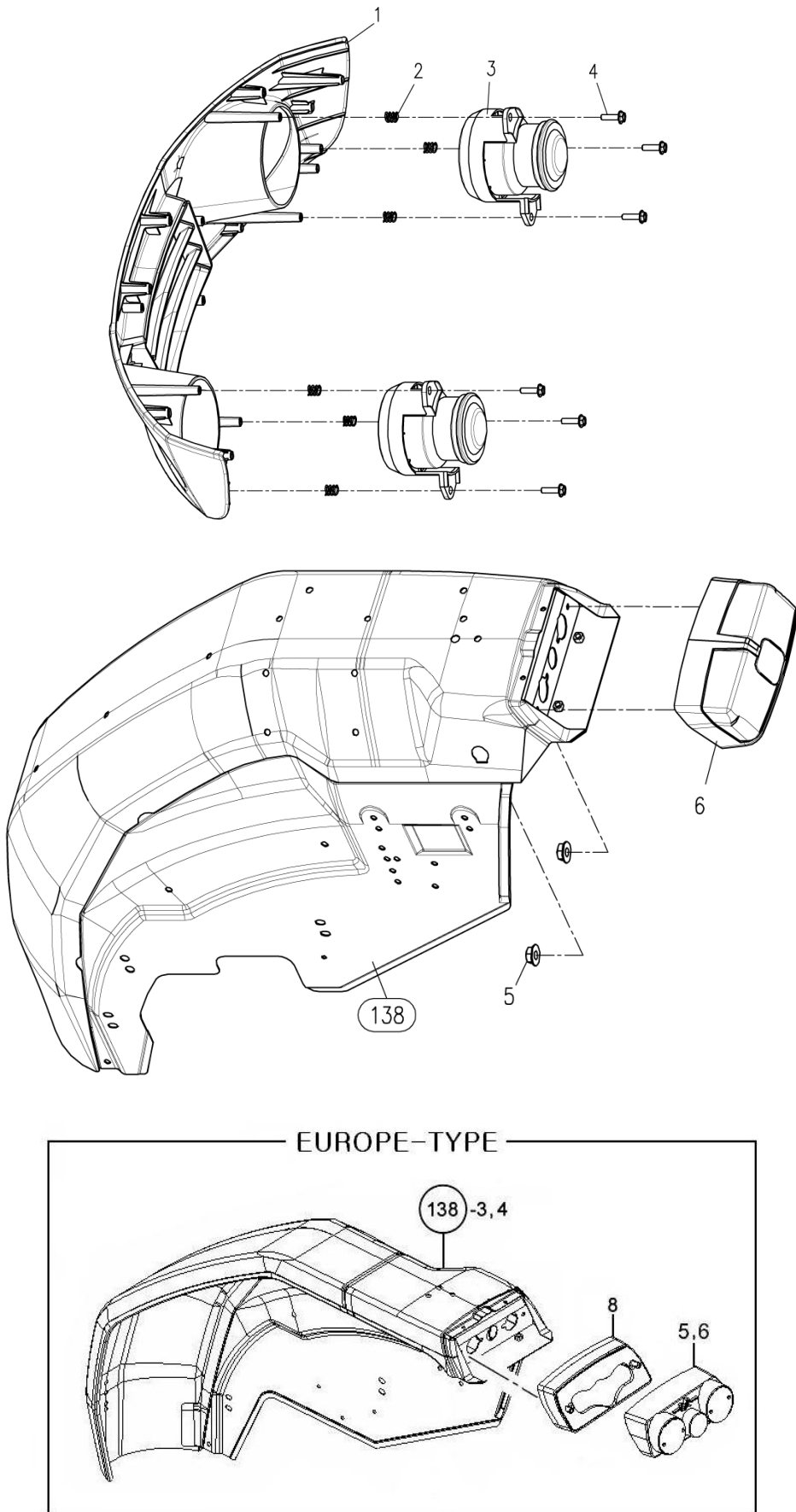
본체(CHASSIS)

유압필터(HYD FILTER)-118



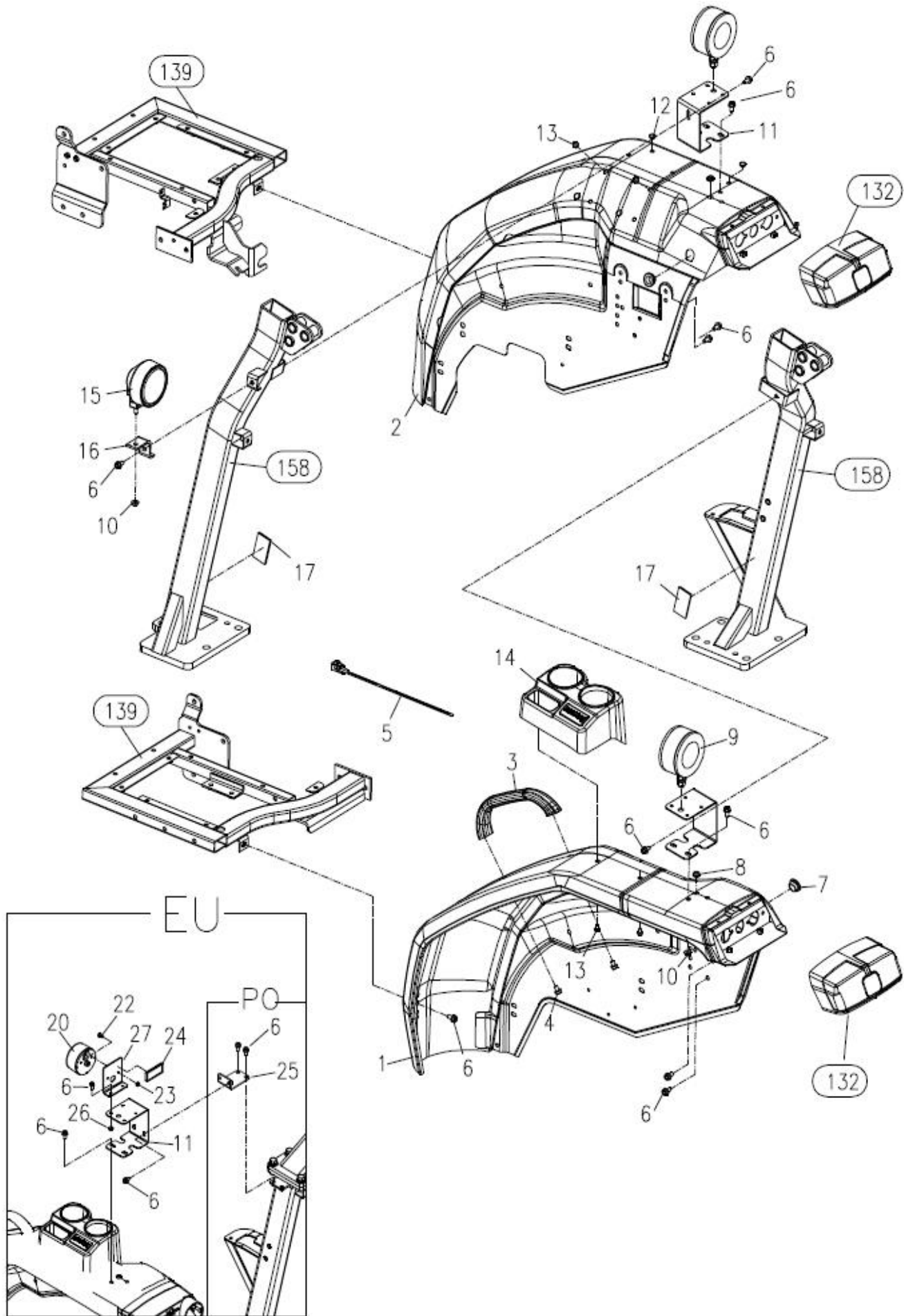
본체 (CHASSIS)

램프 (LAMP)-132



본체 (CHASSIS)

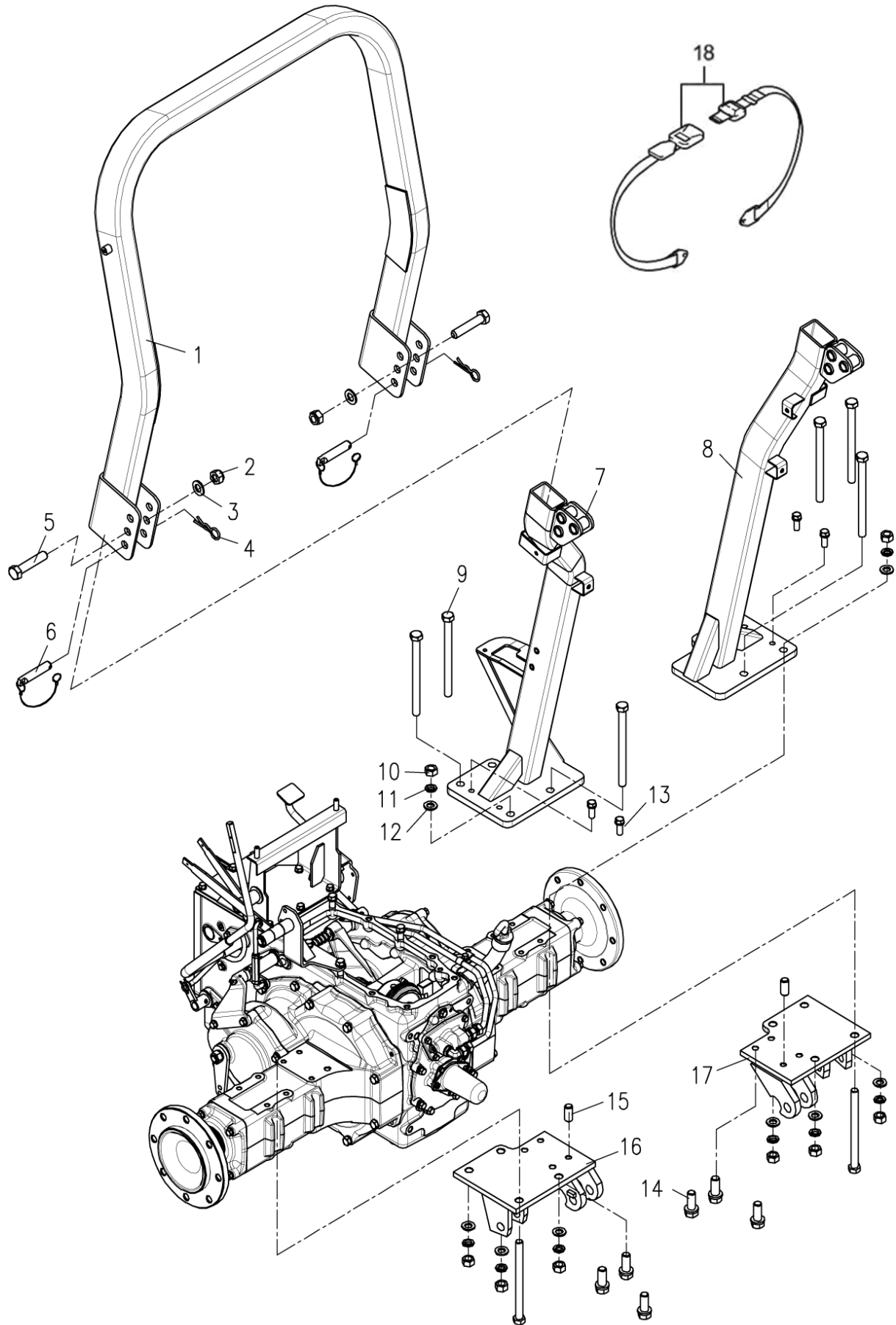
휠더 (FENDER)-138



본체 (CHASSIS)

본체 (CHASSIS)

안전 프레임 (SAFETY FRAME ASS'Y)-158



본체(CHASSIS)

CLICK HERE TO **DOWNLOAD** THE COMPLETE MANUAL

- Thank you very much for reading the preview of the manual.
- You can download the complete manual from: www.heydownloads.com by clicking the link below



- Please note: If there is no response to CLICKING the link, please download this PDF first and then click on it.

CLICK HERE TO **DOWNLOAD** THE COMPLETE MANUAL