

8

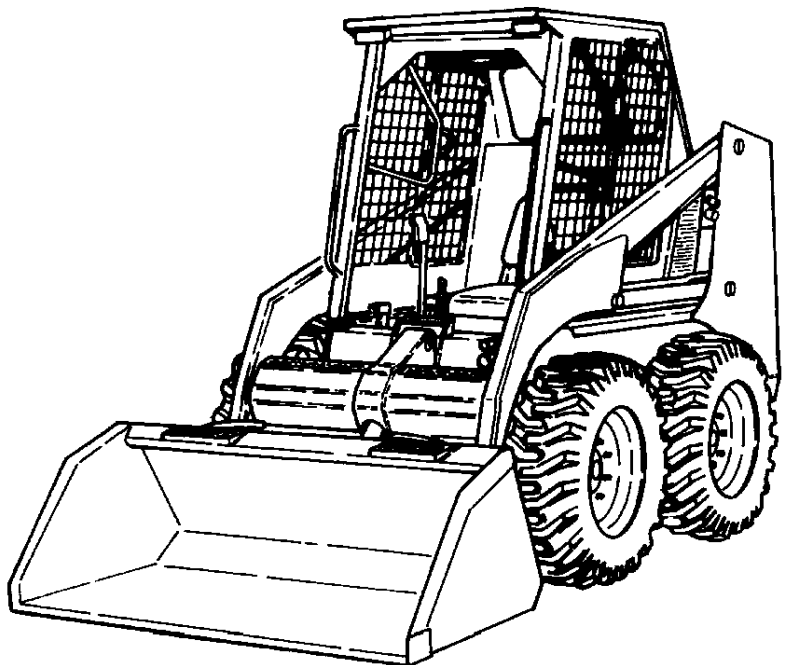
5

3



# Parts Manual

**S/N 5084 11001 & Above**  
**S/N 5097 11001 & Above**



CLICK HERE TO **DOWNLOAD** THE COMPLETE MANUAL

- Thank you very much for reading the preview of the manual.
- You can download the complete manual from: [www.heydownloads.com](http://www.heydownloads.com) by clicking the link below



- Please note: If there is no response to CLICKING the link, please download this PDF first and then click on it.

CLICK HERE TO **DOWNLOAD** THE COMPLETE MANUAL

# NOTE D'INFORMATION

Pour toute référence au numéro de série de l'engin, toujours donner le numéro complet.

Le chiffré apparaissant dans la colonne des quantités de ce manuel représentent le nombre de pièces nécessaires pour l'illustration reprise sur la page. Dans certains cas, on lira un "x" dans la colonne des quantités. Cet "x" indique que la quantité nécessaire est "selon besoin".

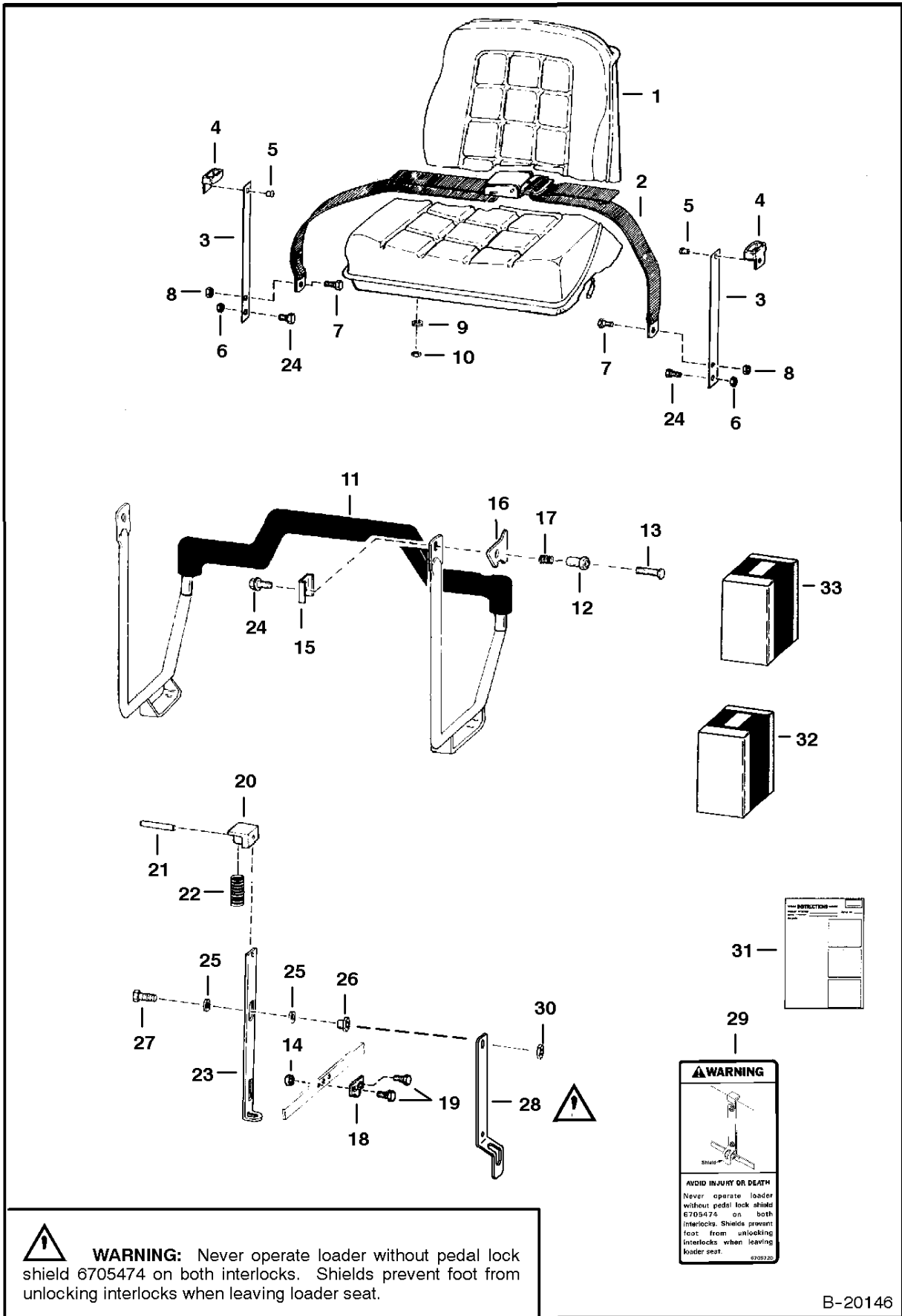
Pour toute référence vers la GAUCHE ou la DROITE dans ce manuel, considérer que la personne se trouve assise dans le siège de l'opérateur, en position de fonctionnement en marche avant.

Certaines illustrations et informations reprises dans ce manuel de pièces de rechange ont été fournies à Melroe Company, une société du groupe Clark Equipment Company, par des fabricants de composants.

## ABREVIATIONS & SYMBOLES

<b>SALES</b>	= Commander au Service Ventes à Bruxelles
<b>NSS</b>	= Pas vendu séparément
<b>NAP</b>	= Non disponible comme pièce de rechange
<b>*</b>	= Chapitre, page ou numéro de pièce modifié ou supplémentaire
<b>BTI</b>	= Bobcat Technical Information Bulletin : voir à la fin de la microfiché du modèle concerné ou la microfiche générale reprenant l'ensemble des "BTI".
<b>was 6535403</b>	= était avant 6535403
<b>adj. (adjustment)</b>	= réglage
<b>Assembly</b>	= ensemble
<b>available W/Ref.</b>	= disponible avec réf.
<b>bulk/sold per foot</b>	= en vrac/vendu par pied
<b>does not include</b>	= ne comprend pas
<b>included with</b>	= compris dans
<b>I.D.</b>	= D.I. (diamètre intérieur)
<b>O.D.</b>	= D.E. (diamètre extérieur)
<b>not in kit</b>	= pas en kit
<b>W/ - WO/</b>	= inclus/ - non inclus/
<b>Qty</b>	= quantité requise
<b>see page/ref.</b>	= voir page/réf.
<b>used with ref/</b>	= utilisé avec réf.
<b>0,05 inch thickness</b>	= 0,05 pouce d'épaisseur (un pouce = 25.4 mm)
<b>weld on</b>	= à souder

# SEAT & SEAT BAR

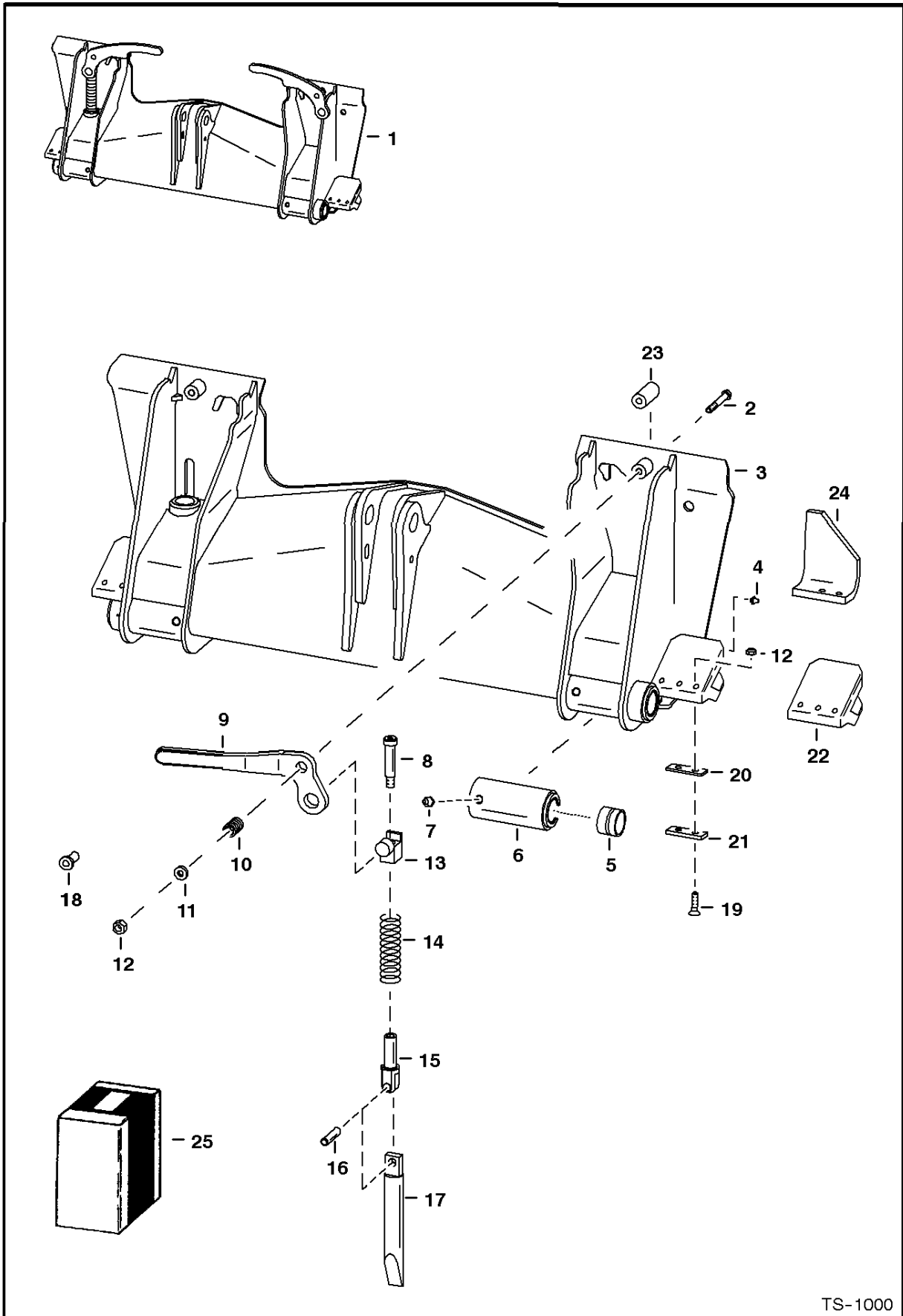


**WARNING:** Never operate loader without pedal lock shield 6705474 on both interlocks. Shields prevent foot from unlocking interlocks when leaving loader seat.

**WARNING**  
 AVOID INJURY OR DEATH  
 Never operate loader without pedal lock shield 6705474 on both interlocks. Shields prevent foot from unlocking interlocks when leaving loader seat.  
 6705220

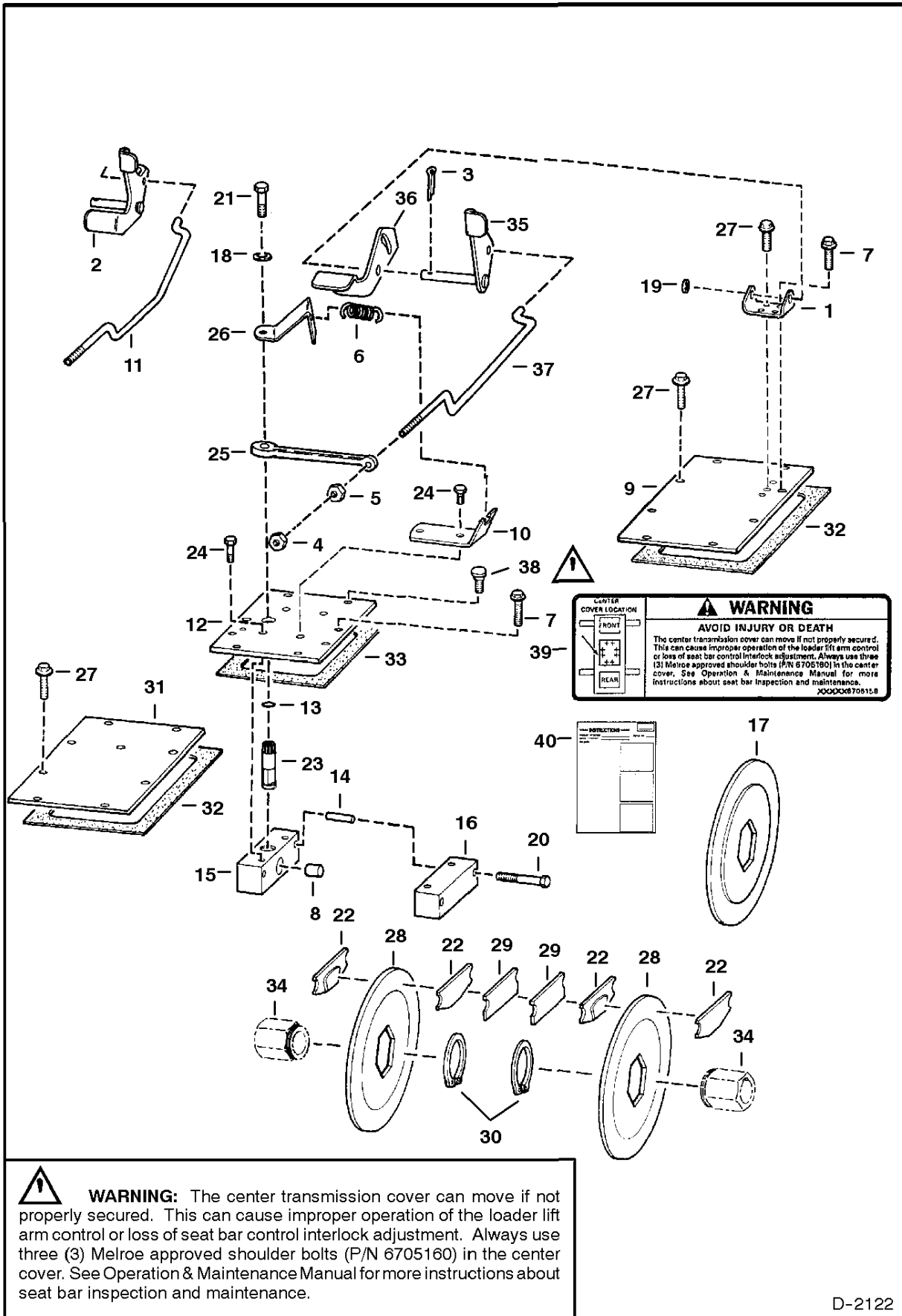
B-20146

# BOB-TACH



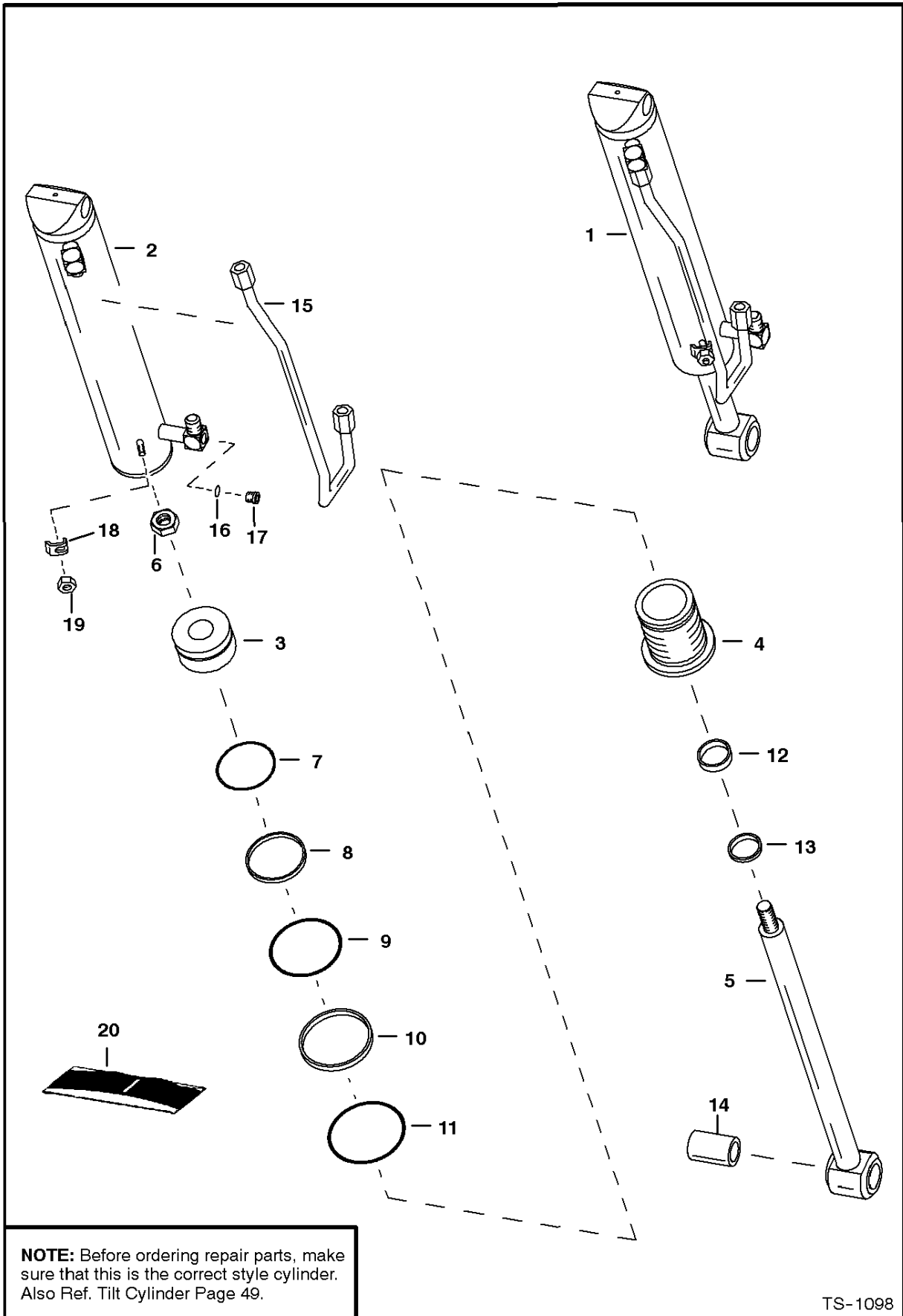
TS-1000

# DISC BRAKE



D-2122

# TILT CYLINDER



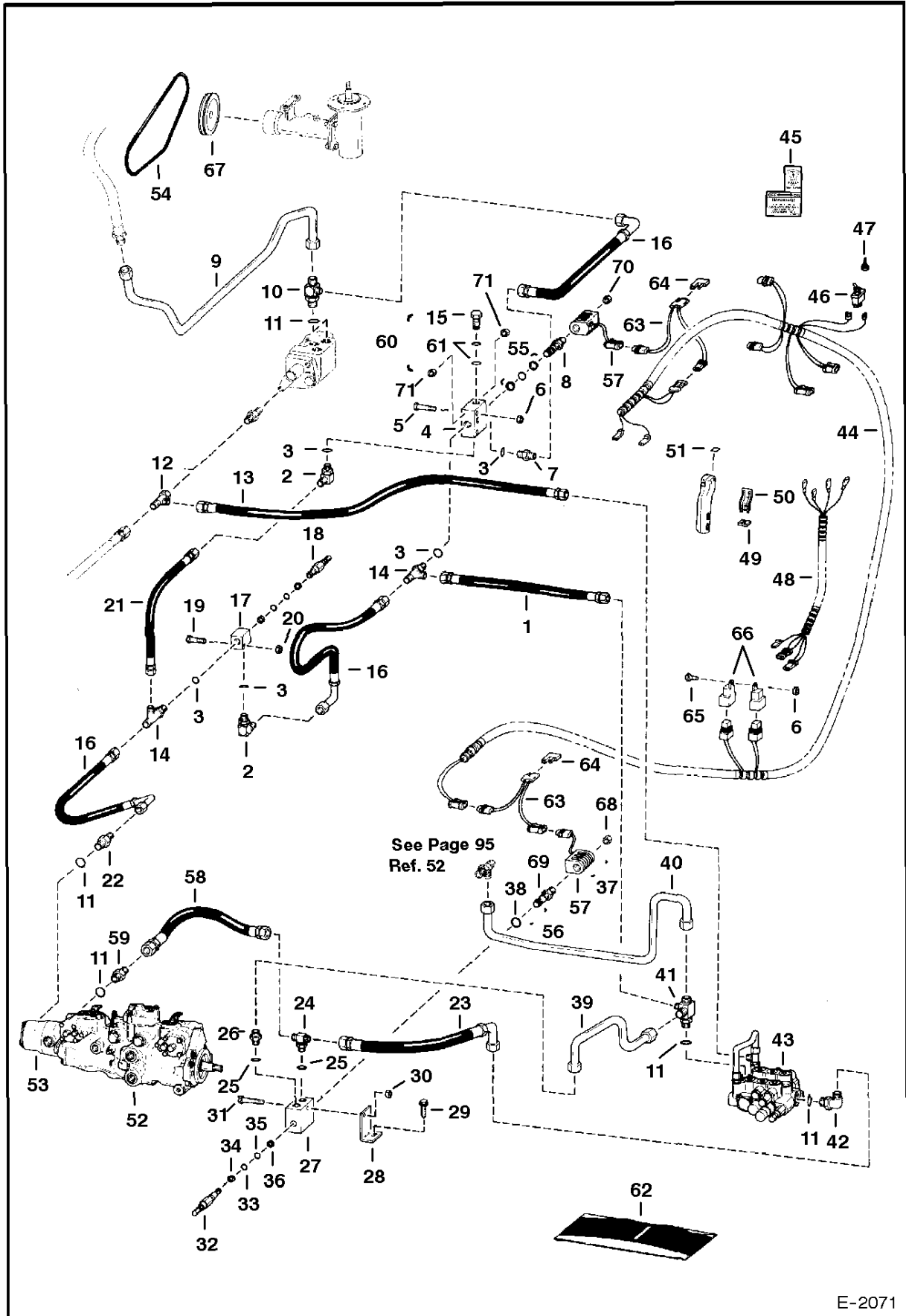
**NOTE:** Before ordering repair parts, make sure that this is the correct style cylinder. Also Ref. Tilt Cylinder Page 49.

TS-1098

## HYDRAULIC CONTROL VALVE

Ref.N°	Part N°	Description	Remarks	Serial N°	Qty.
40	6588166	SCREW	Was 74G-416 [B]		1
41	6592109	ADAPTER			1
42	6588164	SCREW	.75' long - Use W/NAP 6538574 End Cap - Was 69G-412 [B]		2
42	6588982	SCREW	1' long-Use W/6588981 End Cap		4
43	NAP	END CAP	.375' thick - Order 6588981 End Cap & (2) of 6588982 Screws - Was 6538574 [A]		2
43	6588981	END CAP	.625' thick		2
44	58K-124	O-RING			2
45	6530899	SPRING			2
46	6537096	WASHER	Was 6530898 [A]		2
47	6592720	PLUG	W/Ref. HYDRAULIC CONTROL VALVE(16)-HYDRAULIC CONTROL VALVE(18)		1
48	6534973	PLUG	W/Ref. HYDRAULIC CONTROL VALVE(49)		2
49	79K-7	O-RING			2
50	6534917	ADAPTER	W/Ref. HYDRAULIC CONTROL VALVE(51)-HYDRAULIC CONTROL VALVE(53)		1
51	79K-12	O-RING			1
52	80K-18	RING	back-up		1
53	58K-18	O-RING	Was 25K-20024 [B]		1
54	6665089	SEAL	lip - See S/L 31 Aug. 92 - Was 6659554 [A]		4
54	6646372	SEAL	See S/L 31 Aug. 92		4
55	6538466	BUSHING	Was 6534576 [A]		4
56	6588163	SCREW	7/8' long		2
56	6588982	SCREW	1' long		2
57	6662848	CAP			1
58	6664373	VALVE	optional - port relief & anti-cav. - W/Ref. HYDRAULIC CONTROL VALVE(16) - 2500 PSI - use in tilt cylinder base end port		1
59	6532633	ORIFICE	.153		1
60	6803605	SEAL KIT	one spool - Ref. HYDRAULIC CONTROL VALVE(4), HYDRAULIC CONTROL VALVE(54) & HYDRAULIC CONTROL VALVE(56) - See S/L 31 Aug. 92 - W		x
60	6596311	SEAL KIT	complete - Ref. HYDRAULIC CONTROL VALVE(4), HYDRAULIC CONTROL VALVE(13), HYDRAULIC CONTROL VALVE(16)-HYDRAULIC CONTROL VALVE(18)		x
60	6632279	SEAL KIT	Ref. HYDRAULIC CONTROL VALVE(21)-HYDRAULIC CONTROL VALVE(24) - Was 6532868 [A]		x
60	6586461	SEAL KIT	Ref. HYDRAULIC CONTROL VALVE(13) & HYDRAULIC CONTROL VALVE(16)-HYDRAULIC CONTROL VALVE(18) Was 6592475 [A]		x

# HIGH HORSEPOWER HYDRAULICS (Hydrostatic Circuitry)

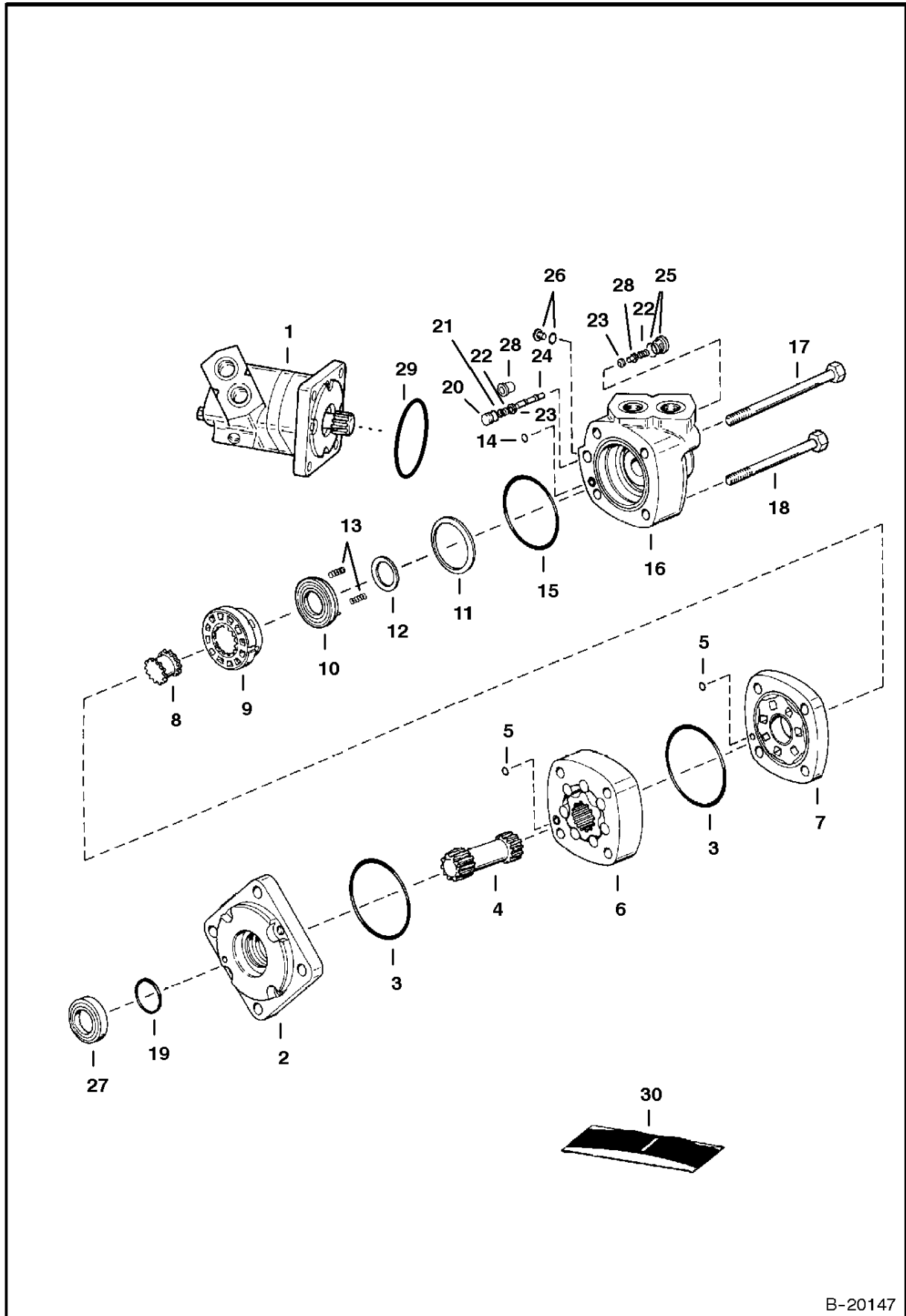


E-2071

## HYDROSTATIC CIRCUITRY

Ref.N°	Part N°	Description	Remarks	Serial N°	Qty.
46	6704548	HOSE			1
47	6704547	HOSE			1
48	77E-1616	ELBOW			1
49	75K-16	O-RING			x

# HYDROSTATIC MOTOR



B-20147

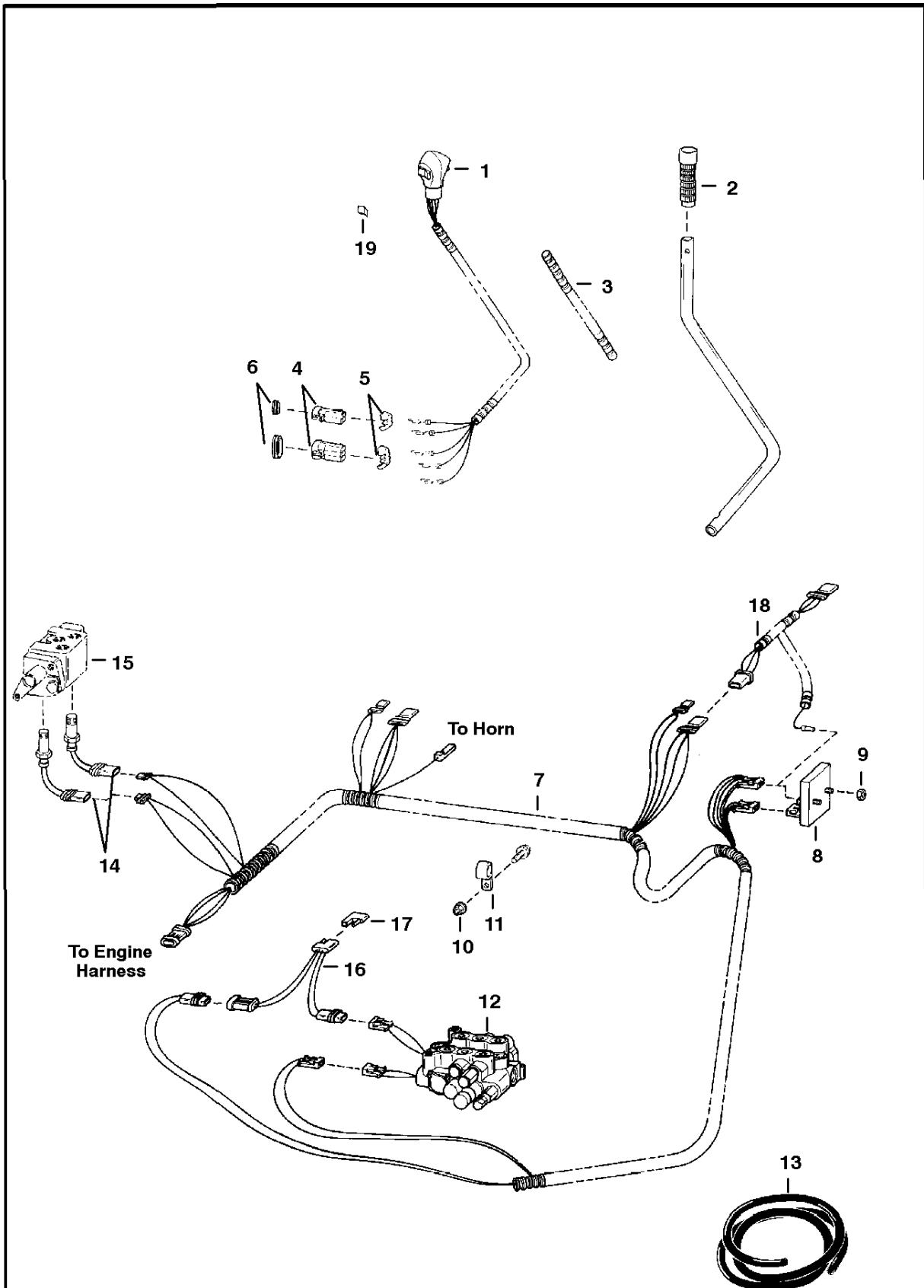
## GEAR PUMP

Ref.N°	Part N°	Description	Remarks	Serial N°	Qty.
1	NAP	PUMP	Ref. GEAR PUMP(2)-GEAR PUMP(14) -Order 666555 1inD1}Pump - See Page GEAR PUMP(1)Was 6657327 [A]		1
2	NSS	BOLT	Was 6658124 [A]		4
3	6658123	COVER			1
4	NSS	O-RING	seal		2
5	NSS	SEAL			2
6	NSS	RING	Was 6658119 [A]		2
7	NSS	BODY			1
8	6658118	BEARING			1
9	NSS	GEAR	idler - 20 mm dia. - Was 6658121 [A]		1
10	NSS	GEAR	drive - 20 mm dia. - Was 6658120[A]		1
11	6658122	COVER			1
12	NSS	SEAL			2
13	NSS	WASHER	Was 6658125 [A]		4
14	NSS	BEARING	Was 6658117 [A]		1
15	17C-616	BOLT			2
16	28E-6	WASHER			2
17	6645080	O-RING			1
18	6658126	SEAL KIT	Ref. GEAR PUMP(4)-GEAR PUMP(6) & GEAR PUMP( 12)		1

## ENGINE ELECTRICAL SYSTEM

Ref.N°	Part N°	Description	Remarks	Serial N°	Qty.
1	30H-35	CLIP	Was 30H-33 [D]		2
2	6577504	LENS			1
3	6665922	LAMP	W/Ref. ENGINE ELECTRICAL SYSTEM(4) - Was 6661353 [A]		2
3	6665431	SOCKET	threaded bulb		2
4	898731	LIGHT BULB			2
5	6706517	SCREW	Was 6579119 [A]		8
6	6577505	LENS			1
7	6577648	HARNESS	lights		1
8	NAP	HARNESS	engine - Was 6579653 [A]		1
9	6610510	NYLON TIE	Was 1715312 [A]		4
10	6648326	SWITCH	coolant level		1
11	6660316	SWITCH	vacuum - Was 6651570 [A]		1
12	6651975	SOLENOID	relay		2
13	6658958	SENSOR	fuel - Was 6576946 [A]		1
13	79K-14	O-RING			1
14	17C-412	BOLT			2
15	61D-4	NUT			2
16	6654200	SENSOR	hydro. temp		1
17	6660204	SENSOR	eng. oil pressureAWas 6649476 [A]		1
18	6654202	SENSOR	eng. temp.		1
19		ALTERNATOR	See Page ALTERNATOR(1)		1
20	30H-46	CLAMP			1
21	6563922	SNUBBER	W/Filter		1
21	6563920	FILTER			1
22	2CM-1016	BOLT	Was 1CM-1016 [B]		1
23	30H-57	CLAMP			2
24	84G-3712	BOLT			1
25	6707040	ELBOW	Was 6658634 [A]		1
26	6560172	COVER			1
27	4DM-10	NUT			1
28	4DM-5	NUT			1
29		STARTER	See Page STARTER(1)		1
30	NAP	CABLE	pos. - 34" (863,6mm) long - Order 6576188 Cable - W/30" (762 mm) of Ref. ENGINE ELECTRICAL SYSTEM(45) - Was 6579809 [A]		1
30	6576188	CABLE	pos. - 40" (101,6mm) long		1
31	6579806	CABLE	ground		1
32	6563025	CABLE	ground		1
33	2356058	BOOT			1
34	6599652	BOOT			1
35	6665032	BATTERY	Was 6631611 [A]		1
35	6630153	BATTERY CAP			2
36	59D-5	NUT			2
37	25E-15	WASHER			2
38	6569203	CLAMP			1
39	6712536	MOUNT	Was 6577809 [A]		1
40	6576280	BOLT			2
41	84G-3716	BOLT			2
42	6555455	WASHER			2
43	6579989	BRACKET			1
44	6701392	CLIP			4
45	6563505	CONDUIT	bulk - Sold Per Foot		x
46	6667828	BOSS	initialized - Was 6661214 [A]		1
46	6664133	BOSS	not initialized - Was 6722444 [A]		1
46	6666918	BOSS	backup - Was 6661110 [A]		1

**CONTROLS ELECTRICAL**  
 (S/N 5084 11354 & Above) (S/N 5097 11001 & Above)



**NOTE:** Switches for Ref. 1 are not sold separately. Order 6704454 handle assy.

D-2150

## COOLING SYSTEM

Ref.N°	Part N°	Description	Remarks	Serial N°	Qty.
1	6579535	RADIATOR			1
2	6646678	CAP	14 PSI		1
3	NAP	MOULDING	3" (76,2 mm) long-Order Ref. COOLING SYSTEM(32)		2
4	6702697	SPACER			2
5	35C-508	BOLT			2
6	6515575	CLAMP			1
7	NAP	HOSE	32"(812,8 mm) longAOrder Ref. COOLING SYSTEM(50)		1
8	NAP	HOSE	32" (812,8mm) longAOrder Ref. COOLING SYSTEM(52)		1
9	NAP	LOUVER	L.H. - plastic - Order 6713308 Louver & (3) each of 6661209 Rivets & Ref. COOLING SYSTEM(53)Was 6700419 [A]		1
9	6713308	LOUVER	L.H. - steel		1
10	6700329	HOUSING			1
11	NAP	LOUVER	R.H. - plastic - Order 6713306 & (3) each of 6661209 Rivets & Ref. COOLING SYSTEM(53) - Was 6700418 [A]		1
11	6713306	LOUVER	R.H. - steel		1
12	6706517	SCREW	Use W/Plastic Louver - Was6579119 [A]		8
12	6661209	RIVET	Use W/Steel Louver		6
13	86D-8	NUT			1
14	6803867	WASHER	Was 6558956 [A]		1
15	6715142	FAN	Was 6700334 [A]		1
16	6577382	SPACER			2
17	6704907	SPACER	Was 6701593		2
18	NAP	COVER	10.5'(266,7 mm) longAOrder Ref. COOLING SYSTEM(46)		2
19	61D-6	NUT			6
20	6577227	INLET			1
21	17C-6116	BOLT			4
22	6518820	CLAMP			4
23	6700737	HOSE			1
24	6700738	HOSE			1
25	17C-616	BOLT			6
26	6702139	HOUSING ASSY.	See Page COOLING FAN DRIVE ASSY.(1)		1
27	6701265	BELT	cooling fan drive		1
27	6703924	BELT	cooling fan drive - 853HHH - See Page HIGH HORSEPOWER HYDRAULICS(50)		1
28	6702797	CAP			1
29	6578861	TANK	coolant over flow		1
30	84G-3708	BOLT			2
31	6579529	MOUNT			1
31	6706242	MOUNT			1
32	6649402	MOULDING	bulk - Sold Per Foot		x
33	6511855	FOAM STRIP	bulk - Sold Per Foot		x
34	6650076	ENGINE	See Page ENGINE & GASKET KITS(1)		1
35	6577822	HOSE	bulk - Sold Per Foot		x
36	1303932	GROMMET			1
37	6646626	BREATHER			1
38	NAP	HOSE	19.5' (495,3 mm) long - Order Ref. COOLING SYSTEM(35)		1
39	6657376	ELBOW			1
40	6610510	NYLON TIE	Was 1715312 [A]		1
41	NAP	PULLEY	5.75" O.D. - Was 6579541 [A]		1
41	6710665	PULLEY	6.00" O.D. deep groove		1
41	6703483	PULLEY	HHH option - See Page HIGH HORSEPOWER HYDRAULICS(67)		1

## ENGINE &amp; ATTACHING PARTS

Ref.N°	Part N°	Description	Remarks	Serial N°	Qty.
38	6704484	WASHER			1
39	35C-612	BOLT			1
40	6660967	CAP	grease		1
41	NAP	BRACKET	3 grooveAOrder 6708607 Bracket, Ref. ENGINE & ATTACHING PARTS(58) 6708598 Red & Ref. ENGINE & ATTACHING PARTS(14) 61D-6 Nut - Wa		1
41	NAP	BRACKET	4 groove - Order Ref. ENGINE & ATTACHING PARTS(14), ENGINE & ATTACHING PARTS(57) & ENGINE & ATTACHING PARTS(58) - Was 6705859 [A]		1
42	17C-620	BOLT			1
43	NAP	BRACKET	Order Ref. ENGINE & ATTACHING PARTS(31) - Was 6703283 [A]		1
44	6653758	SNAP RING			2
45	NAP	PULLEY	idler - Order Ref. ENGINE & ATTACHING PARTS(31) - Was 6702951 [A]		1
46	NAP	BEARING	Order Ref. ENGINE & ATTACHING PARTS(31) - Was 6651452 [A]		1
47	17C-612	BOLT			1
48	17C-636	BOLT		& Abv	1
49	6704443	BUSHING	spacer	& Abv	1
50	6660995	RING	grease - Was 6660955[D]	& Abv	2
51	6662997	PULLEY	cooling fan drive idler	& Abv	1
52	6661405	OIL	quart can - For Use W/Ref. ENGINE & ATTACHING PARTS(31)		x
53	6633583	SEALANT	Use W/Ref. ENGINE & ATTACHING PARTS(34) & ENGINE & ATTACHING PARTS(41) and W/Ref. ENGINE & ATTACHING PARTS(37) & ENGINE & ATTACH		x
54	6722248	REPAIR KIT	bearing - Ref. ENGINE & ATTACHING PARTS(34)- ENGINE & ATTACHING PARTS(36) & ENGINE & ATTACHING PARTS(40)		1
55	6704444	WASHER		& Abv	1
56	1CM-870	BOLT			1
57	6708567	BRACKET			1
58	6708598	ROD			1
59	6708607	BRACKET			1
60	6711698	IDLER ASSY.	spring loaded to replace 3groove fixed Idler - also Order Ref. ENGINE & ATTACHING PARTS(58) & ENGINE & ATTACHING PARTS(61)- W/R		1
61	6709030	DECAL	belt tension - spring loaded Idler		1
62	6708767	BRACKET			1
63	6705491	SPRING	tension		1
64	NAP	HUB ASSY	Order Ref. ENGINE & ATTACHING PARTS(50)		1
65	6704391	PULLEY			1
66	6661112	SEAL			1
67	6703168	BEARING	thrust		1
68	6664209	SEAL			1
69	NAP	BEARING	ball - order Ref. ENGINE & ATTACHING PARTS(50)		1
70	6658536	SNAP RING			1
71	6658847	SNAP RING			1
72	6704393	BEARING	bronze sleeve		1
73	6705231	WASHER			1
74	6710585	WASHER	wave spring		1
75	14J-1808	PIN			2
76	6705232	WASHER			1
77	17C-610	BOLT			1
78	6708770	CAP	grease		1

CLICK HERE TO **DOWNLOAD** THE COMPLETE MANUAL

- Thank you very much for reading the preview of the manual.
- You can download the complete manual from: [www.heydownloads.com](http://www.heydownloads.com) by clicking the link below



- Please note: If there is no response to CLICKING the link, please download this PDF first and then click on it.

CLICK HERE TO **DOWNLOAD** THE COMPLETE MANUAL

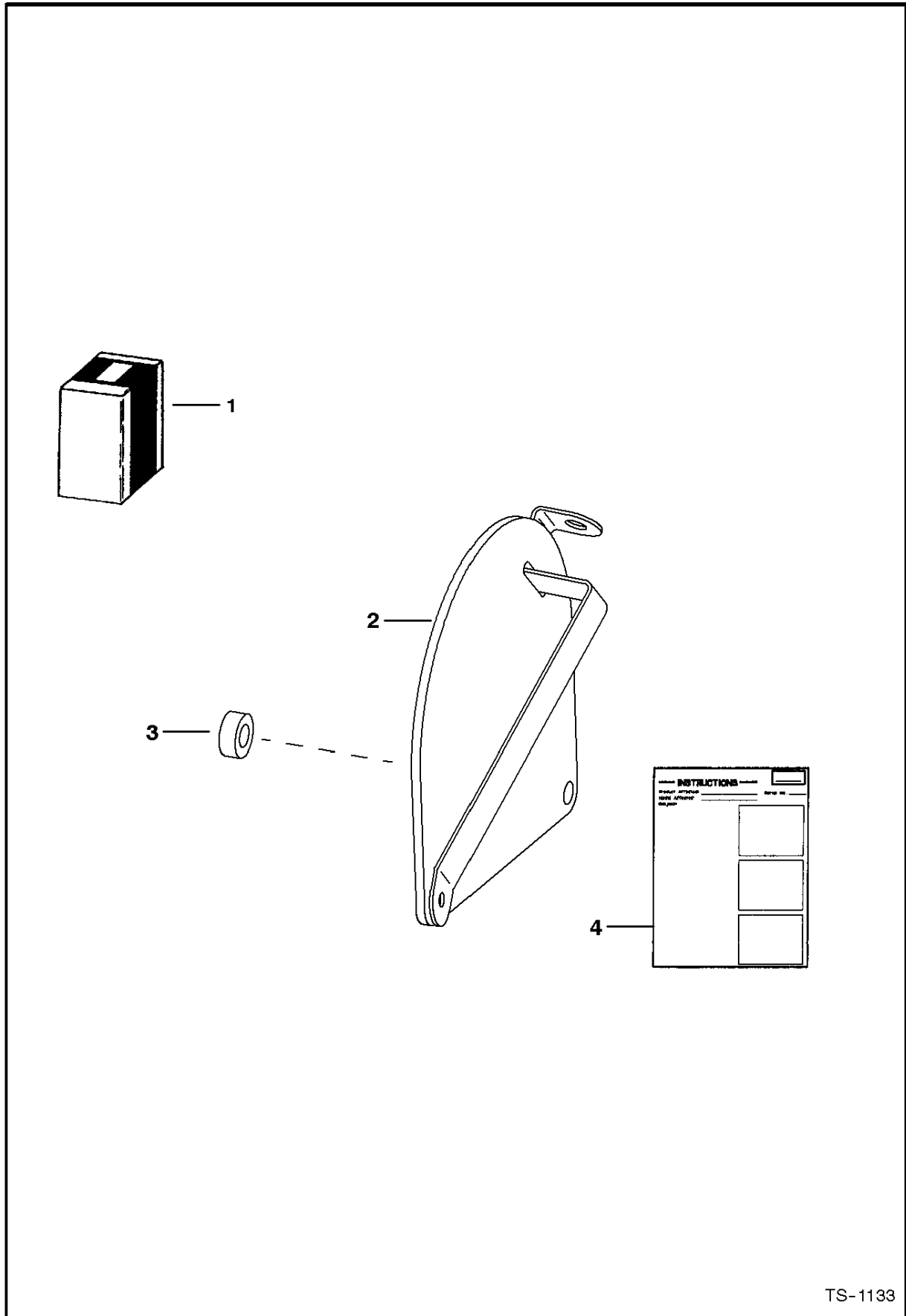
## MANIFOLDS

Ref.N°	Part N°	Description	Remarks	Serial N°	Qty.
1	6513035	NUT			2
2	6512736	WASHER			2
3	6631885	STUD	Was 6658215 [A]		2
4	6658201	MANIFOLD	Exhaust - 2 bolt flange		1
5	6659933	MANIFOLD	Exhaust - 4 bolt flange - Was 6659953 [D]		1
6	6631802	GASKET	Was 6661095 [D]		1
7	6654908	MANIFOLD	Intake		1
8	6664012	GASKET	Was 6662954 [A]		1
9	6655098	PIPE			1
10	909498	BOLT			2
11	6661091	BOLT	Was 3676970 [A]		6
12	3674002	WASHER			1
13	6667578	NUT	Was 6631736 [A]		2
14	6631884	STUD			2
15	6513049	BOLT			6
16	6660989	GASKET	Was 6631801 [A]		1

## THERMOSTAT HOUSING

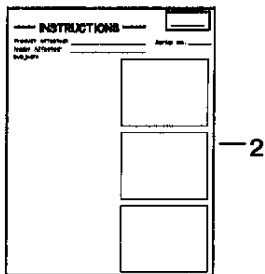
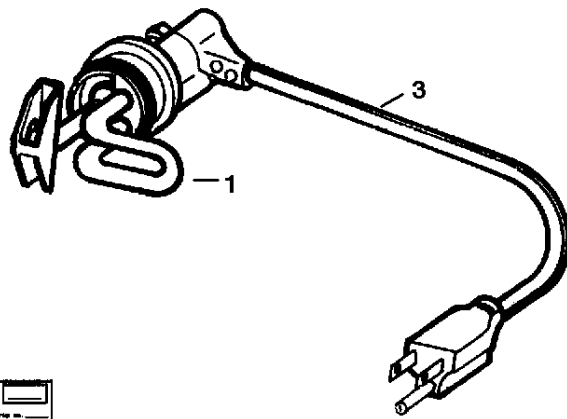
Ref.N°	Part N°	Description	Remarks	Serial N°	Qty.
1	6651938	HOUSING	outlet		1
2	6661097	GASKET	Was 6655319		1
3	6631692	THERMOSTAT			1
4	6631869	GASKET			1
5	6631774	HOUSING			1
6	3768067	BOLT			3
7	6654202	SENSOR	eng. temp. - See Page ENGINE ELECTRICAL SYSTEM (18)		1
8	6655311	CLAMP			2
9	6658187	HOSE	Was 6631873		1
10	6658214	BOLT			2
11	6654910	PIPE			1
12	6631856	GASKET			1
13	6513004	BOLT			2
14	6EM-100	WASHER			2
15	1CM-870	BOLT			2

**ACCESS COVER  
(Hyd. Tank Fill Cap)**



TS-1133

# BLOCK HEATER (Engine)

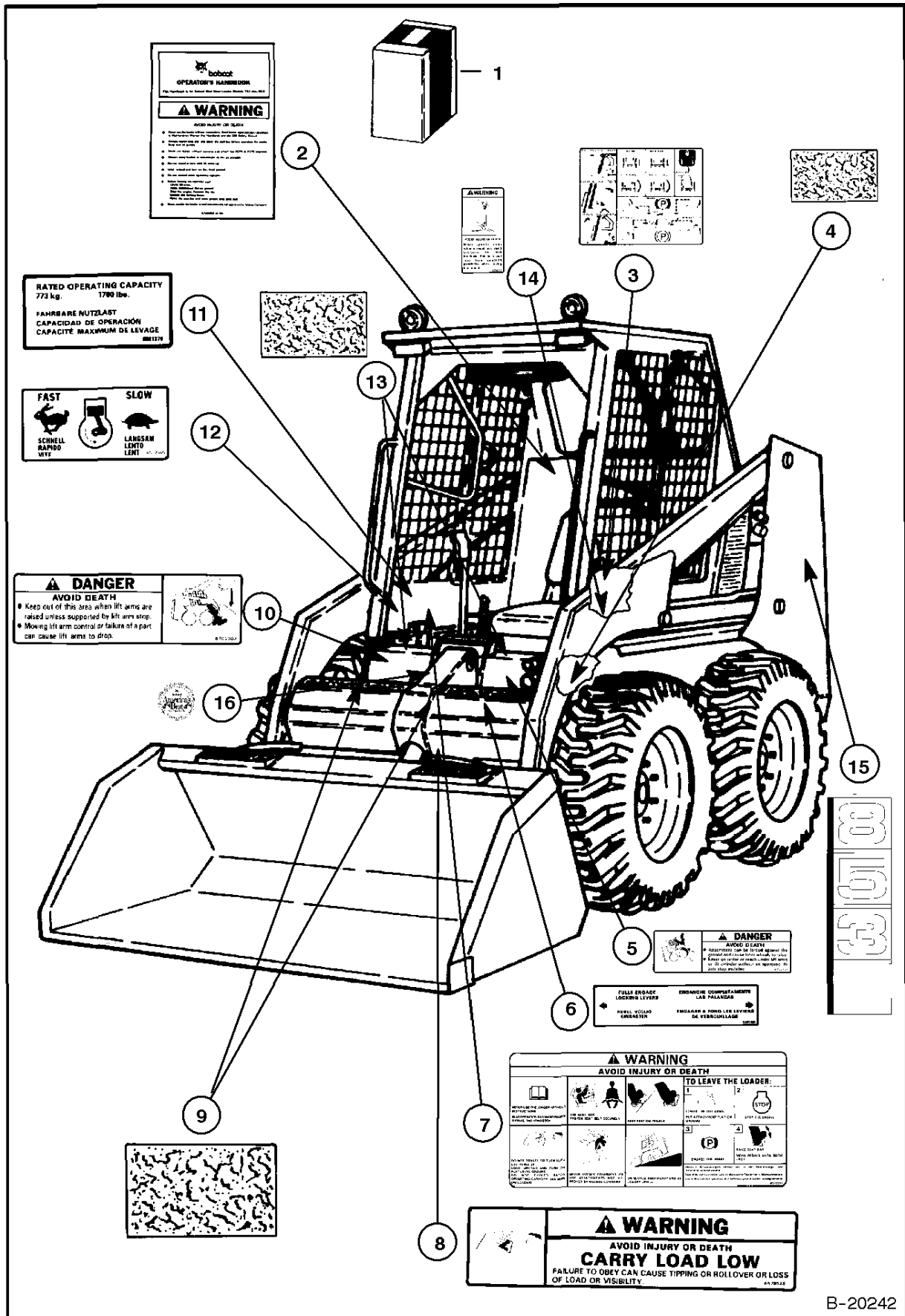


B-12299

## CAB DOOR

Ref.N°	Part N°	Description	Remarks	Serial N°	Qty.
1	6708973	KIT	door - Ref. CAB DOOR(2)-CAB DOOR(4), CAB DOOR(6)-CAB DOOR(29), CAB DOOR(32),CAB DOOR(37)-CAB DOOR(43), CAB DOOR(48)-CAB DOOR(55)		1
1	SALES	KIT	door - special applications - Ref. CAB DOOR(4), CAB DOOR(5), CAB DOOR(7)-CAB DOOR(17), CAB DOOR(21), CAB DOOR(24)-CAB DOOR(37),		1
2	30H-37	CLAMP			1
3	NAP	HARNESS	Order 6712259 Harness - Was6708269 [A]		1
3	6712259	HARNESS	W/(2) diodes		1
4	6707179	SHIELD			1
5	35C-616	BOLT			2
6	6665707	SWITCH			1
7	10C-512	BOLT			6
8	6707216	HINGE			2
9	83D-5	NUT	for standard door		10
9	83D-5	NUT	for special applications door		15
10	6707220	DOOR			1
11	6707225	WINDOW	.25" thick - safety glass - for standard door		1
11	6708499	WINDOW	.5" thick - plexiglass - for special applications door		1
12	25G-528	BOLT			1
13	6665530	LATCH	W/Ref. CAB DOOR(14) - Also order Ref. CAB DOOR(59)		1
14	6647635	KNOB			1
15	6665531	LATCH			1
16	6568047	NUT	bushing		1
17	17C-712	BOLT			1
18	6665532	MOTOR	wiper		1
18	6631927	GEAR			1
18	6670163	SHAFT	w/spline		1
18	6670164	LINK			1
18	6670165	CLIP			1
19	6665605	CAP			1
20	6707178	TANK			1
21	35C-416	BOLT			4
22	6664554	PUMP	wiper washer		1
23	6664555	NOZZLE	washer		1
24	6707221	ROD	latch release		1
25	6707222	MOUNT	latch		1
26	25G-512	BOLT	for standard door		7
26	25G-512	BOLT	for special applications door		14
27	35C-510	BOLT			4
28	6707223	COUPLING			2
29	6707224	COUPLING			2
30	6707239	SHIELD	bolts to cab		1
31	6707236	SHIELD	bolts to mainframe		1
32	6707852	DECAL			1
33	NAP	SEAL	91"(2311 mm)long-Order Ref. CAB DOOR(34)		1
33	NAP	CORD	91"(2311 mm)long-Order Ref. CAB DOOR(34)		1
34	6665568	SEAL	bulk - Sold Per Foot		x
34	6554149	CORD	bulk - Sold Per Foot		x
35	NAP	SEAL	137"(3480mm)long-Order Ref. CAB DOOR(36)		1
36	6513152	SEAL	bulk - Sold Per Foot		x
37	6708096	BUSHING			1
38	NAP	HOSE	26"(660,4 mm)long-Order Ref. CAB DOOR(39)		1
39	6708310	HOSE	bulk - Sold Per Foot - 5/32" I.D.		x
40	45G-1008	BOLT			4

# DECALS



B-20242

## EXPORT ACCESSORIES

Ref.N°	Part N°	Description	Remarks	Serial N°	Qty.
1	6704849	SOUND KIT	Ref. EXPORT ACCESSORIES(2) - EXPORT ACCESSORIES(31) - Was SALES		1
2	6659982	MUFFLER	Was 6703648 [A]		1
3	6579385	DECAL	sound level warning - 85 decibel		1
4	6579406	DECAL	sound level warning-106 decibel - Was 6579403 [A]		1
5	6631548	LOOP	scotchmate		2
6	6631549	LOOP	scotchmate		2
7	84G-3724	BOLT			1
8	NAP	MOUNT	rubber - Order 6705333inD1} Mount & Ref. EXPORT ACCESSORIES(7) & EXPORT ACCESSORIES(18) - Was 6705333 [C]		1
8	6705333	MOUNT	rubber		1
9	6700875	RETAINER	window		4
10	6703461	HOSE			1
11	6703462	HOSE			1
12	17C-410	BOLT			6
13	17K-8	ELBOW	W/Ref. 14		2
14	79K-12	O-RING			2
15	61D-4	NUT			6
16	85D-6	NUT	Was 61D-6 [B]		2
17	35C-616	BOLT			2
18	6562619	BUSHING			2
19	6633583	SEALANT			x
20	6703331	INSULATION	air inlet		1
21	6703453	INSULATION	blower housing		1
22	6703454	INSULATION	blower housing		1
23	6703456	INSULATION	rear door		1
24	6555351	SEAL	Bulk - Sold Per Foot		x
25	6702731	WINDOW	cab		2
26	6579511	DECAL	warning		1
27	6708212	DECAL	service - Was 6578218 [A]		1
28	6703329	DECAL	filters		1
29	6633498	STA-STRAP			1
30	6715744	BUSHING			1
31	6722242	INSTRUCTIONS			1

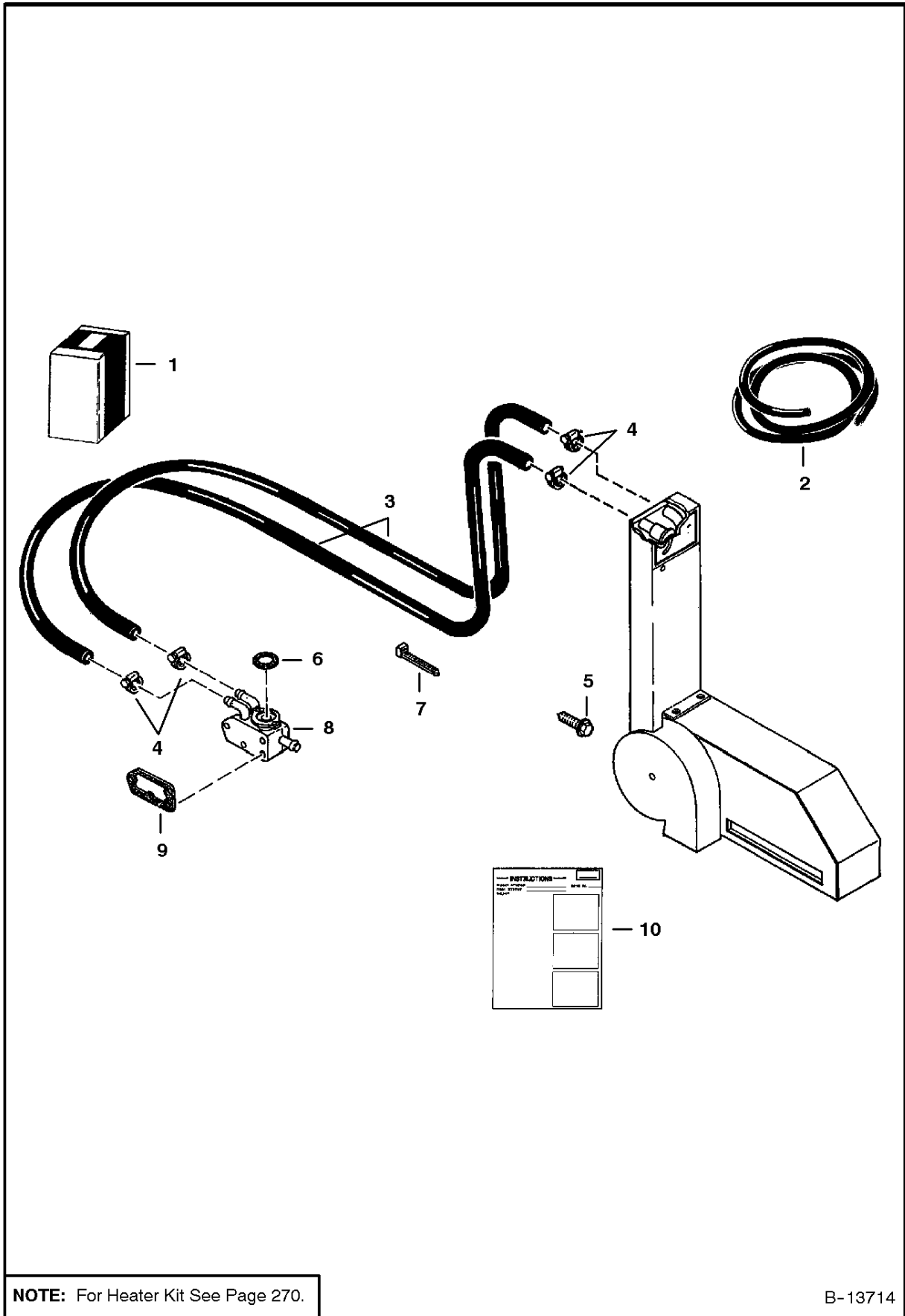
## \* FIRE EXTINGUISHER

Ref.N°	Part N°	Description	Remarks	Serial N°	Qty.
1	6569112	KIT	fire extinguisher - Ref. * FIRE EXTINGUISHER(2) - * FIRE EXTINGUISHER(10)		1
2	1908806	EXTINGUISHERinD 1}	fire		1
3	85G-1008	BOLT			4
4	12D-10	NUT			4
5	25G-410	BOLT			2
6	35C-516	BOLT			1
7	83D-4	NUT			2
8	83D-5	NUT			1
9	6569095	MOUNT			1
10	6570040	INSTRUCTIONS			1

## HAND CONTROLS KIT

Ref.N°	Part N°	Description	Remarks	Serial N°	Qty.
41	6558310	SLEEVE	wire rope		2
42	6724035	MANUAL	operator - Was 6720916 [A]		1
43	8D-6	NUT			4
44	6703463	SPRING			2
45	619021	WASHER			2
46		LINK	Not in Kit - See Page CONTROL PEDALS(17)		1
47	38C-612	BOLT			1
48	59D-6	NUT			1
49	6649551	DAMPENER	Not in Kit - Was 6649557 [B,D]		1
50	6599744	BALL JOINT	Not in Kit		2
51	6662857	PIN			3
51	6706568	KIT	L.H. Multi switch - includes Ref. HAND CONTROLS KIT(51), HAND CONTROLS KIT(53), HAND CONTROL S KIT(54), HAND CONTROLS KIT(56) & H		1
51	6706340	HANDLE ASSY.	R.H. - Multi switch - Also Order Ref. HAND CONTROLS KIT(53), HAND CONTROLS KIT(54), HAND CONTROL S KIT(57), HAND CONTROLS KIT(58)		1
51	6640690	PIN			9
51	6641176	SEAL			9
51	6706567	KIT	R.H. Multi switch - includes Ref. HAND CONTROLS KIT(51), HAND CONTROLS KIT(53), HAND CONTROL S KIT(54), HAND CONTROLS KIT(57), HA		1
51	6707976	HANDLE ASSY	L.H. - Multi switch - Also Order Ref. HAND CONTROLS KIT(53), HAND CONTROLS KIT(54), HAND CONTROL S KIT(56), HAND CONTROLS KIT(59)		1
51	6640690	PIN			5
51	6640691	PIN			2
51	6641176	SEAL			7
52	NAP	LEVER ASSY.	R.H. - Cobra style - W/Ref. HAND CONTROLS KIT(2) - HAND CONTROLS KIT(4), HAND CONTROLS KIT(6), HAND CONTROLS KIT(33), HAND CONTR		1
52	NAP	LEVER ASSY.	L.H. - Cobra style - W/Ref. HAND CONTROLS KIT(2) - HAND CONTROLS KIT(5), HAND CONTROLS KIT(33), HAND CONTROLS KIT(51), HAND CONT		1
52	NAP	LEVER ASSY.	R.H. - Multi switch style - W/Ref. HAND CONTROLS KIT(2) - HAND CONTROLS KIT(4), HAND CONTROLS KIT(6), HAND CONTROLS KIT(33), HAN		1
52	NAP	LEVER ASSY.	L.H. - Multi switch style - W/Ref. HAND CONTROLS KIT(2) - HAND CONTROLS KIT(5), HAND CONTROLS KIT(33), HAND CONTROLS KIT(51), HA		1
52	NAP	LEVER ASSY.	R.H. - Order component parts - Was 6707365 [A]		1
52	NAP	LEVER ASSY.	L.H.- Order component parts - Was 6707366 [A]		1
53	6641179	CONNECTOR	2 - pin		2
54	6641180	LOCK	2 - pin		2
55	6666534	SEAL			4
56	6641178	CONNECTOR	2 - pin		1
57	6641173	CONNECTOR	6 - pin		1
58	6641181	LOCK	6 - pin		1
59	6664599	CONNECTOR	2 - pin - Was 6664184 [A]		1
60	6664800	LOCK	2 - pin - Was 6664186 [A]		1
61	6640699	CONNECTOR	3 - pin		2
62	6640700	LOCK	3 - pin		2
63	6704454	HANDLE ASSY	Cobra - Also Order Ref. HAND CONTROLS KIT(53) - HAND CONTROLS KIT(55) - See Page CONTROLS ELECTRICAL(1)		2
64	6722847	INSTRUCTIONS	Was 6720917 [A]		1

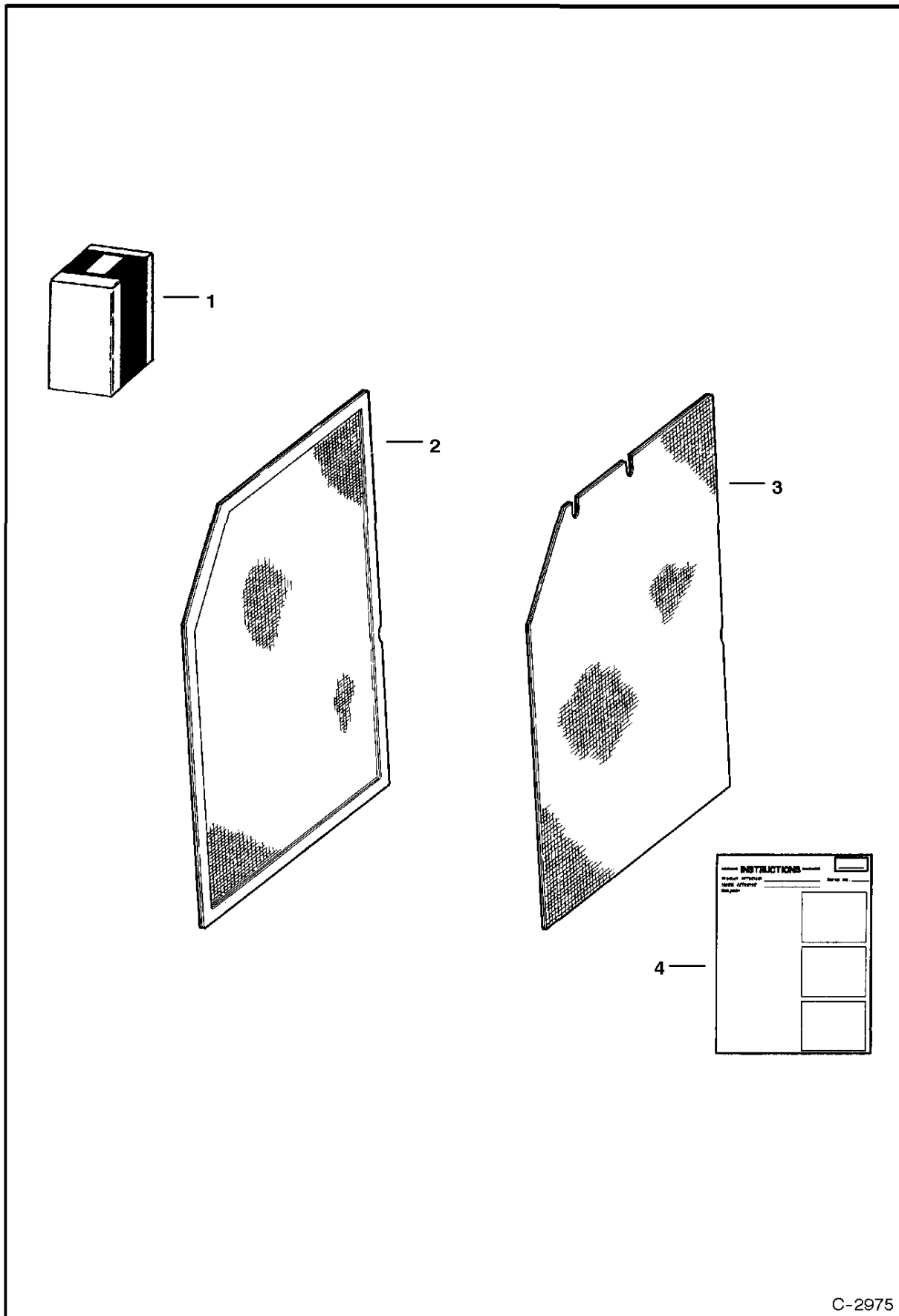
# HEATER PLUMBING KIT (Fresh Air)



**NOTE:** For Heater Kit See Page 270.

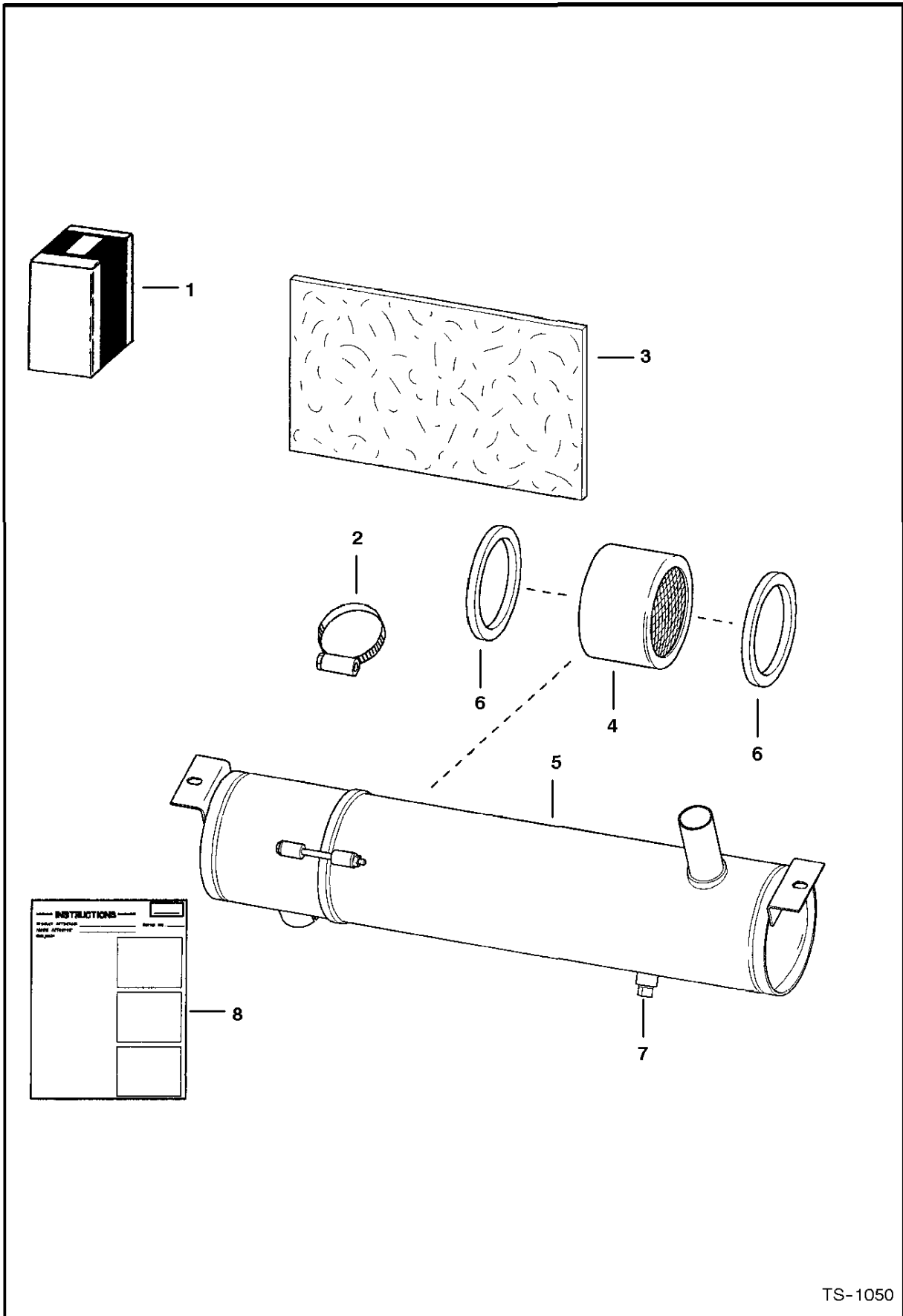
B-13714

# INSECT SCREEN KIT



C-2975

# MUFFLER/PURIFIER KIT (For Plastic Hood)



TS-1050

## REAR AUXILIARY

Ref.N°	Part N°	Description	Remarks	Serial N°	Qty.
37	6720341	INSTRUCTIONS		5084 11353 & Bel	1
37	6720952	INSTRUCTIONS		5084 11354 & Abv	1

## \* SEAT BAR KIT

Ref.N°	Part N°	Description	Remarks	Serial N°	Qty.
1	6714285	KIT	Ref. * SEAT BAR KIT(2) - * SEAT BAR KIT(16) & * SEAT BAR KIT(20)Was 6713853 [A]		1
2	6716779	SEAT BAR	W/Ref. * SEAT BAR KIT(15) - Was 6714282 [A]		1
3		BUSHING			2
4		MOUNT			2
5		BOLT			2
6		PIN	clevis		2
7	6713589	CLEVIS			2
8	6631418	PIN			2
9		BOLT			2
10		NUT			2
11		SPRING			2
12		NUT	jam		2
13		WASHER			2
14	6664882	BUSHING			2
15	6714629	DECAL			1
16	17C-612	BOLT			2
17	25E-17	WASHER			2
18	6706962	BUSHING			1
19	35C-608	BOLT			2
20	6900096	INSTRUCTIONS			1

## \* STROBE LIGHT

Ref.N°	Part N°	Description	Remarks	Serial N°	Qty.
1	6712696	STROBE KIT	Strobe light - Ref. * STROBE LIGHT(2)-* STROBE LIGHT(10)		1
2	6668816	SWITCH			1
3	6660988	RETAINER			2
4	6669191	LIGHT	Strobe - magnetic base		1
4	6665022	FLASH TUBE	bulb		1
5	6708318	HARNESS	beacon		1
6	6711708	MOUNT	switch		1
7	6712258	HARNESS	strobe		1
8	35C-412	BOLT			2
9	6669308	RETAINER			2
10	6724071	INSTRUCTIONS			1

## TIRES &amp; RIMS

Ref.N°	Part N°	Description	Remarks	Serial N°	Qty.
1	6519249	TIRE	12 x 16.5 6 Ply Rating - Goodyear		4
1	6670145	TIRE	12 x 16.5, 8 Ply Rating - Firestone - Was 6543468 [A]		4
1	6590832	TIRE	12 x 16.5, 8 Ply Rating - Goodyear		4
1	NAP	TIRE	12 x 16.5, 6 Ply Rating - General - Was 6631614 [A]		4
1	6662754	TIRE	12 x 16.5, 8 Ply - Trac 2 Dico		4
1	6667888	TIRE	Dico - Heavy Duty - 12x16.5, 10 Ply Rating		4
2	NAP	TIRE	8.25 x 15, 6 Ply Rating - Use Ref. TIRES & RIMS(1) - Was 6519248 [A]		4
2	6665725	TIRE	8.25 x 15, 6 Ply Rating - IDT (Industrial Deep Tread) Dico		4
3	6565240	RIM	Used W/Ref. TIRES & RIMS(1) - See BTI 197inD1}v		4
3	6562498	RIM	Used W/Ref. TIRES & RIMS(2) - See BTI 197		4
4	6564669	NUT	wheel - Was 6519169		32
5	1614765	VALVE	valve		4
6	6513971	TIRE	31 x 15.5, 8 Ply Terra Grip		4
6	6667892	TIRE	12 x 16.5, 8 Ply - Trac 2 Dico		4
6	6666668	TIRE	31 X 15.5, 8 Ply - Ultra Grip - Goodyear		4
7	6561095	RIM	Use W/Ref. TIRES & RIMS(6)		4
8	6591447	STEM	valve - Use W/Ref. TIRES & RIMS(7)		4
9	6661601	TIRE	12.00-16.5, 10 Ply Rating - Bobcat Brand		4

CLICK HERE TO **DOWNLOAD** THE COMPLETE MANUAL

- Thank you very much for reading the preview of the manual.
- You can download the complete manual from: [www.heydownloads.com](http://www.heydownloads.com) by clicking the link below



- Please note: If there is no response to CLICKING the link, please download this PDF first and then click on it.

CLICK HERE TO **DOWNLOAD** THE COMPLETE MANUAL