

**763**



**Bobcat®**

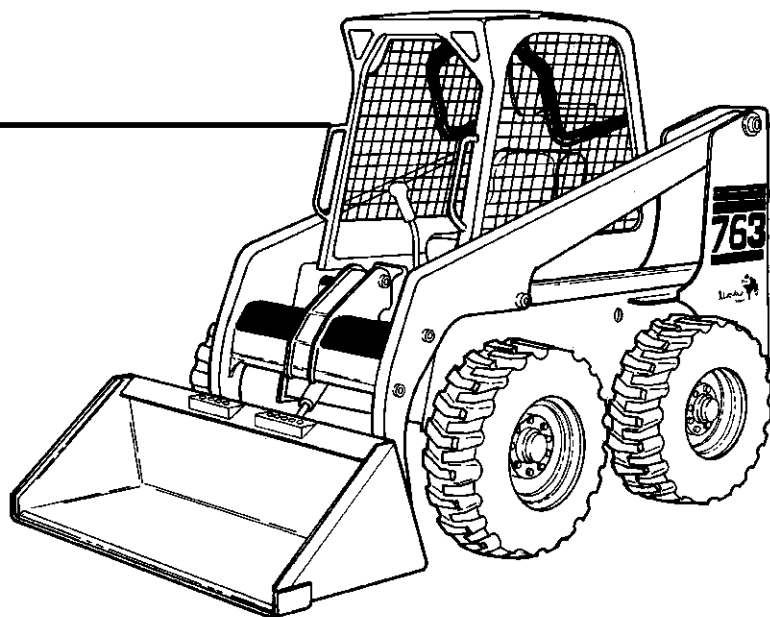
**G-SERIES**

# **Parts Manual**

**S/N 5122 50001 & ABOVE**

**S/N 5124 50001 & ABOVE**

**S/N 5126 20001 & ABOVE**



**EQUIPPED WITH  
BOBCAT INTERLOCK  
CONTROL SYSTEM (BICS™)**



CLICK HERE TO **DOWNLOAD** THE COMPLETE MANUAL

- Thank you very much for reading the preview of the manual.
- You can download the complete manual from: [www.heydownloads.com](http://www.heydownloads.com) by clicking the link below



- Please note: If there is no response to CLICKING the link, please download this PDF first and then click on it.

CLICK HERE TO **DOWNLOAD** THE COMPLETE MANUAL

# NOTE D'INFORMATION

Pour toute référence au numéro de série de l'engin, toujours donner le numéro complet.

Le chiffré apparaissant dans la colonne des quantités de ce manuel représentent le nombre de pièces nécessaires pour l'illustration reprise sur la page. Dans certains cas, on lira un "x" dans la colonne des quantités. Cet "x" indique que la quantité nécessaire est "selon besoin".

Pour toute référence vers la GAUCHE ou la DROITE dans ce manuel, considérer que la personne se trouve assise dans le siège de l'opérateur, en position de fonctionnement en marche avant.

Certaines illustrations et informations reprises dans ce manuel de pièces de rechange ont été fournies à Bobcat Company par des fabricants de composants.

## ABREVIATIONS & SYMBOLES

<b>SALES</b>	= Commander au Service Ventes à Bruxelles
<b>NSS</b>	= Pas vendu séparément
<b>NAP</b>	= Non disponible comme pièce de rechange
	= Chapitre, page ou numéro de pièce modifié ou supplémentaire
<b>BTI</b>	= Bobcat Technical Information Bulletin : voir à la fin de la microfiché du modèle concerné ou la microfiche générale reprenant l'ensemble des "BTI".
<b>was 6535403</b>	= était avant 6535403
<b>adj. (adjustment)</b>	= réglage
<b>Assembly</b>	= ensemble
<b>available W/Ref.</b>	= disponible avec réf.
<b>bulk/sold per foot</b>	= en vrac/vendu par pied
<b>does not include</b>	= ne comprend pas
<b>included with</b>	= compris dans
<b>I.D.</b>	= D.I. (diamètre intérieur)
<b>O.D.</b>	= D.E. (diamètre extérieur)
<b>not in kit</b>	= pas en kit
<b>W/ - WO/</b>	= inclus/ - non inclus/
<b>Qty</b>	= quantité requise
<b>see page/ref.</b>	= voir page/réf.
<b>used with ref/</b>	= utilisé avec réf.
<b>0,05 inch thickness</b>	= 0,05 pouce d'épaisseur (un pouce = 25.4 mm)
<b>weld on</b>	= à souder

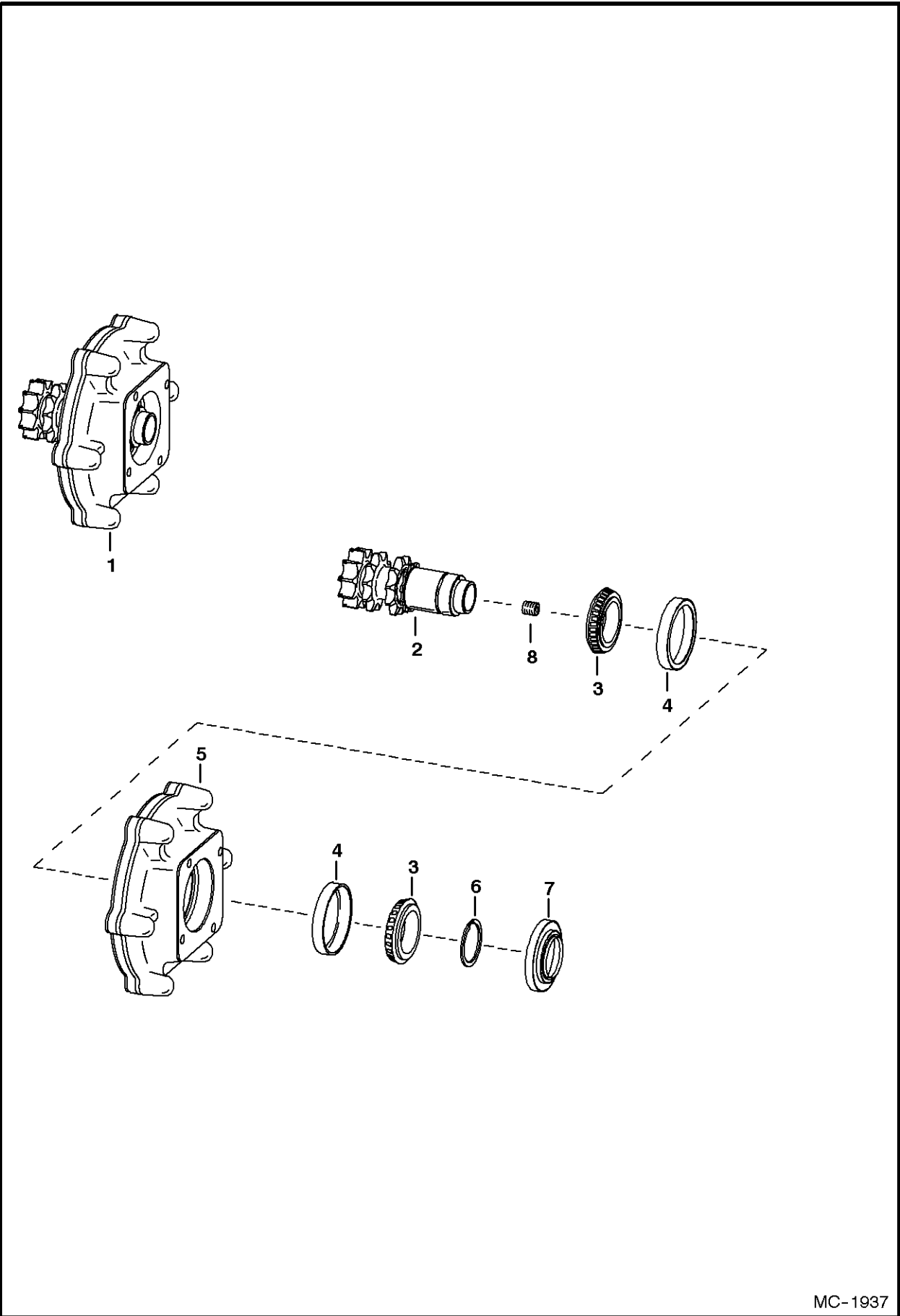
## OPERATOR CAB

Ref.N°	Part N°	Description	Remarks	Serial N°	Qty.
1	6719672	OPERATOR CAB	includes cab decals		1
2	6675033	INSERT	See Page CAB ELECTRICAL CIRCUITRY(1)		6
3		SEAT BAR	See Page SEAT & SEAT BAR(1)		1
4	6669135	SEAT	See Page SEAT(1)		1
5	6719504	INSULATION	W/Ref. OPERATOR CAB(7)		1
6	6718101	COVER			6
7	6719503	CONTAINER	manuals		1
7	6675524	CLIP			2
7	6725301	COVER			1
7	6725303	FRAME			1
8	17C-612	BOLT			2
9	17C-716	BOLT			2
10	85D-7	NUT			2
11	85D-6	NUT			2
12	NAP	SEAT BELT	Order 6675074inD1} Seat Belt & (2) of Ref. OPERATOR CAB(13) (6725373inD1} Spring Plate) - Was 6667875 [A]		1
12	NAP	SEAT BELT	W/Spring Plates - Order 6675074inD1} Seat Belt - Was 6725403 [A]		1
12	6675074	SEAT BELT	W/O spring plates		1
13	NAP	GUIDE	Order 6711908inD1} Spring Plate, 6565355inD1} Guide & (2) of 6630207inD1} Rivet - Was 6711907 [A]		2
13	6711908	SPRING PLATE	Use W/Ref. OPERATOR CAB(12) (NAP/6667875 Seat Belt)		1
13	6725373	SPRING PLATE	(Use W/Ref. OPERATOR CAB(12) (6675074inD1} Seat Belt)		1
13	6565355	GUIDE			1
13	6630207	RIVET			2
14	6718489	INSULATION	steering panel		1
15	NSS	PLATE	R.H. - weld on		1
15	NSS	PLATE	L.H. - weld on		1
16	6674403	COVER	no lights		2
17	6718200	DECAL	load		1
18	6804790	DECAL	capacity		1

## REAR DOOR

Ref.N°	Part N°	Description	Remarks	Serial N°	Qty.
1	38C-840	BOLT	carriage		1
2	6809734	BUSHING			1
3	6809727	CHANNEL			1
4	6719525	BAR	threaded striker		1
5	6675273	WASHER	lock		2
6	6809726	ROLLER			2
7	17C-820	BOLT			2
8	6655399	BUMPER			2
9	61D-5	NUT			4
10	6729991	REAR DOOR			1
11	59D-6	NUT			3
12	6719766	STOP			1
13	6714126	DOOR STOP			1
14	6711526	HINGE	weld on		2
15	38C-856	BOLT			2
16	38C-824	SCREW			1
17	6729939	LATCH PLATE	weld on		1
18	6811910	LATCH	latch		1
19	6732715	LATCH	Was 6729685 [A]		1
20	6810132	SPRING			1
21	6810141	SPRING			1
22	85D-6	NUT			1
23	6564452	GRIP			1
24	6718796	PLUG			1
25	6670287	COVER			2

**MOTOR CARRIER  
(Drive Motor Mount Assy.)**



MC-1937

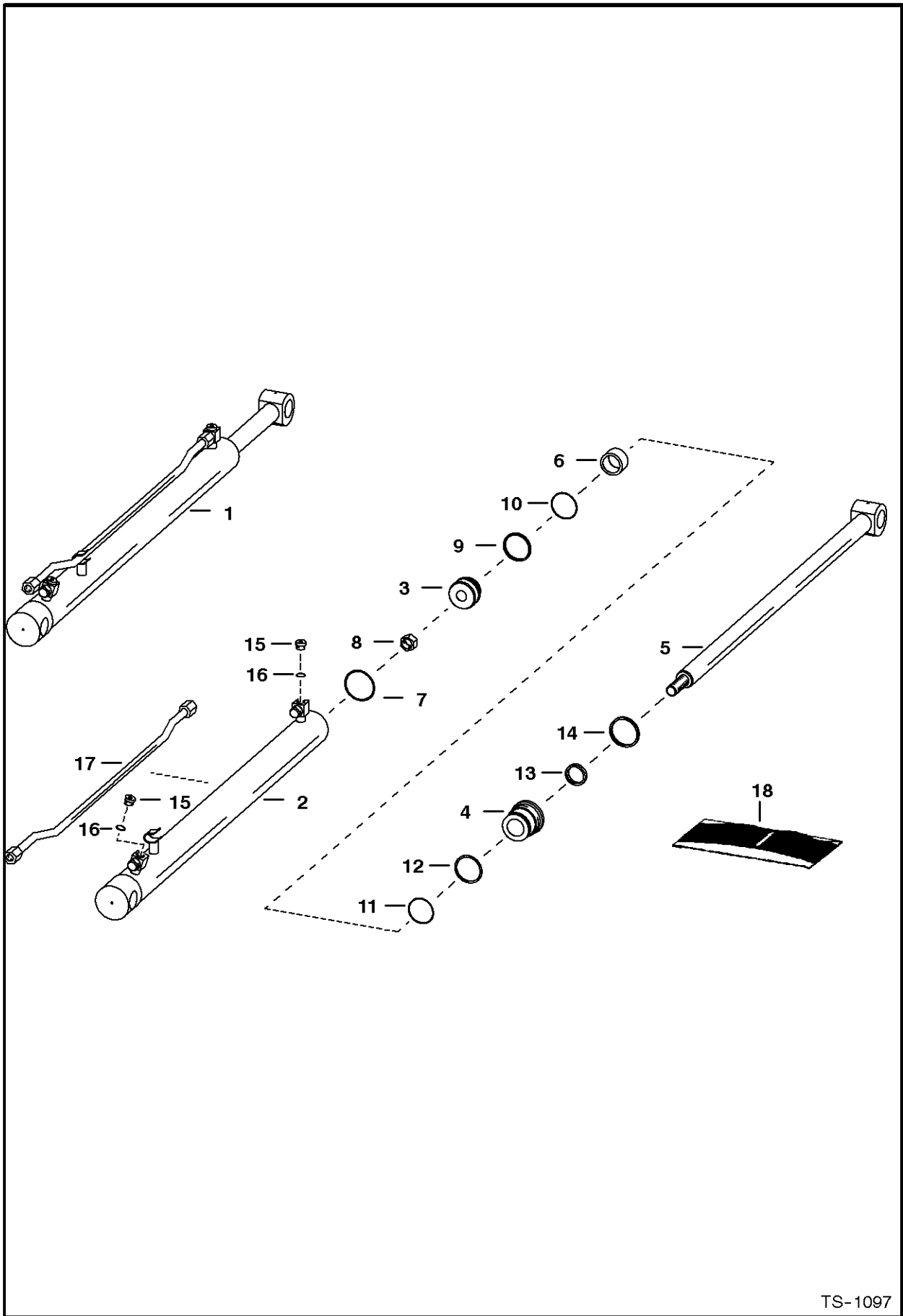
## HYDRAULIC CIRCUITRY

Ref.N°	Part N°	Description	Remarks	Serial N°	Qty.
41	6718099	TUBE	lift		1
42	36K-7	CAP			1
43	77FN-7	ELBOW			1
43	97K-10	O-RING	flared end		1

# MANUAL LIFT RELEASE SYSTEM

Ref.N°	Part N°	Description	Remarks	Serial N°	Qty.
1	15KV-5	ADAPTER	W/Ref. MANUAL LIFT RELEASE SYSTEM(2)		2
1	97K-6	O-RING	flared end		2
2	99K-6	O-RING			x
3	6719653	HOSE	Was 6711656 [B,D]		1
4	17C-428	BOLT			2
5	6711280	MOUNT			1
6	35C-416	BOLT	Was 84G-3716 [B,D]		2
7	7D-4	NUT			1
8	6667844	VALVE	manual lift release - See Page MANUAL LIFT RELEASE VALVE(1)		1
9	6707101	WASHER	neoprene		1
10	6668913	KNOB	red square		1
11	83D-4	NUT			4
12	17KV-5	ELBOW	W/Ref. MANUAL LIFT RELEASE SYSTEM(2)		2
12	97K-6	O-RING	flared end		2
13	6535451	HOSE			1
14	6578804	HOSE			1
15	43C-532	BOLT			6
16	6628571	VALVE	BICS Control - See Page BICS CONTROL VALVE(1)		1
17		VALVE	control - See Page HYDRAULIC CONTROL VALVE(1)		1
18	15KN-8	ADAPTER	W/Ref. MANUAL LIFT RELEASE SYSTEM(19)		2
18	97K-12	O-RING	flared end		2
19	99K-12	O-RING			x
20	6729145	HOSE	Was 6712848 [A]		1
21	18KV-8	ELBOW	W/Ref. MANUAL LIFT RELEASE SYSTEM(19)		1
21	97K-12	O-RING	flared end		1
22	36K-5	CAP			1
23	21KV-5	TEE	W/Ref. MANUAL LIFT RELEASE SYSTEM(2) - connects to bottom of hydraulic reservoir		1
23	97K-6	O-RING	flared end		2

# LIFT CYLINDER



TS-1097

## HYDRAULIC CONTROL VALVE

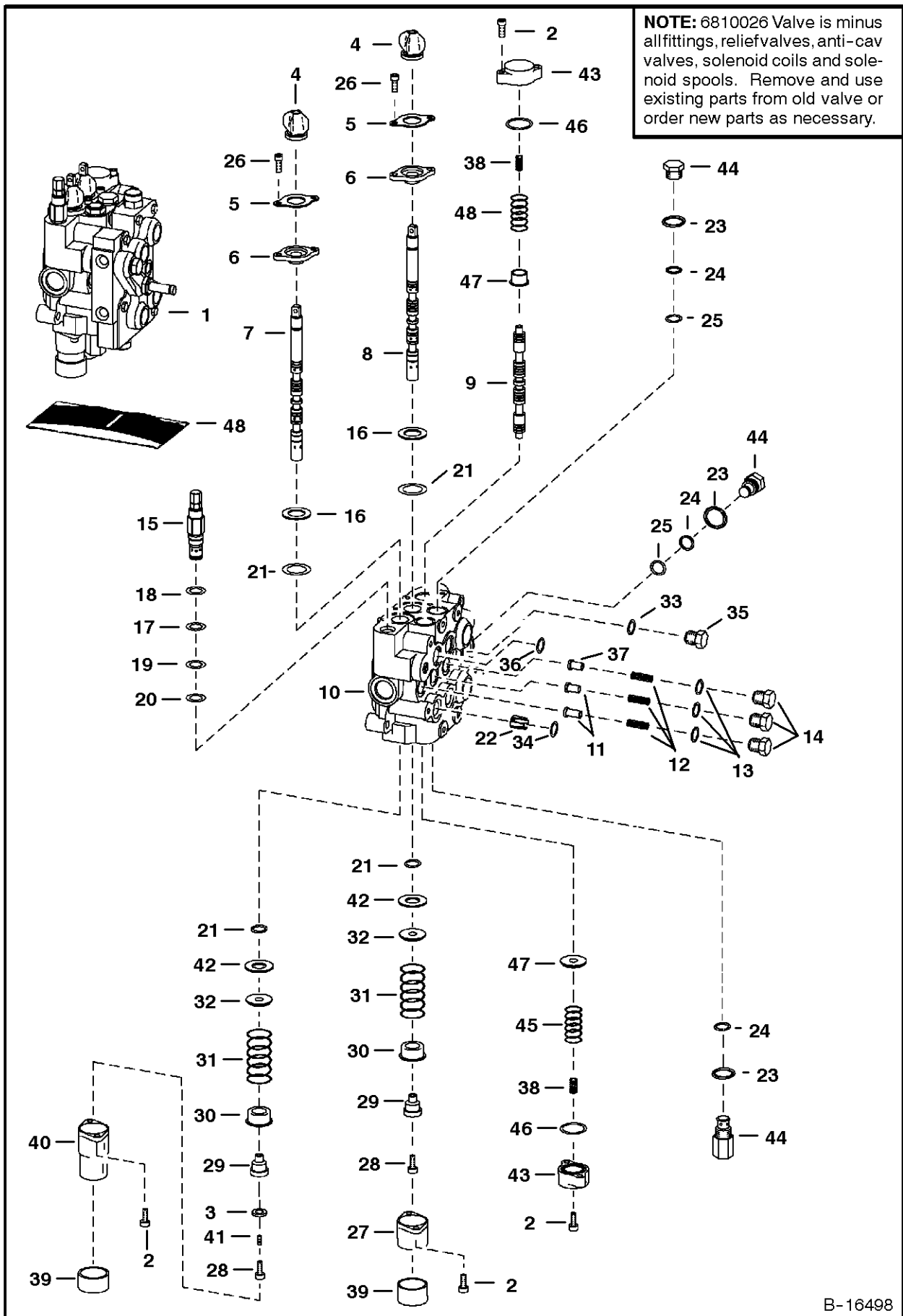
Ref.N°	Part N°	Description	Remarks	Serial N°	Qty.
1	NAP	VALVE	W/Fittings - Ref. HYDRAULIC CONTROL VALVE(2) - HYDRAULIC CONTROL VALVE(18), HYDRAULIC CONTROL VALVE(20) - HYDRAULIC CONTROL VALV		1
1	6628571	VALVE	BICS control - See Page BICS CONTROL VALVE(1)		1
2	29G-444	BOLT			4
3	6589564	RETAINER			2
4	6587763	BOOT			2
5	6812031	BLOCK	lock - Was 6805657 [A]		1
6	29G-416	SCREW			8
7	6674808	SPOOL	lift - # 1 or Red		1
7	6674809	SPOOL	lift - # 2 or Green		1
7	6674810	SPOOL	lift - # 3 or Black		1
8	6674814	SPOOL	tilt - # 1 or Red		1
8	6674815	SPOOL	tilt - # 2 or Green		1
8	6674816	SPOOL	tilt - # 3 or Black		1
9	6588074	SPOOL	auxiliary		3
10	NSS	BODY			1
11	6592115	SEAT	load check		3
12	6592117	SPRING			3
13	79K-8	O-RING			3
14	6592116	NUT	load check		3
15	6671632	VALVE	relief		1
16	79K-10	O-RING			2
17	80K-14	WASHER	back-up		5
18	58K-14	O-RING	back-up washer required		5
18	6677106	O-RING	back-up washer not required		5
19	6677383	SOLENOID	W/Ref. HYDRAULIC CONTROL VALVE(13) - 5'(127 mm) wire		2
20	6676197	VALVE	main relief - W/Ref. HYDRAULIC CONTROL VALVE(2 1)-HYDRAULIC CONTROL VALVE(24) - Was 666111 3 [A]		1
21	58K-17	O-RING			1
22	6665569	WASHER	back-up		1
23	25K-20016	O-RING			1
24	6665570	RING	glide		1
25	6595663	BUSHING			2
26	6587523	WASHER			2
27	6587580	SPRING			2
28	6592100	COLLAR			2
29	6596807	PLUG			1
30	6586918	SCREW			1
31	6587575	ADAPTER			1
32	6592107	SPRING			2
33	6592105	BALL			4
34	6531270	SLEEVE			1
35	6592098	WASHER			1
36	799119	RETAINER			1
37	6589226	BONNET	.625' flange		1
38	6660644	CAP			1
39	6587633	BONNET			1
40	30G-416	SCREW			1

## HYDRAULIC CONTROL VALVE

Ref.N°	Part N°	Description	Remarks	Serial N°	Qty.
39	6801167	PLUG	plastic		1
40	6803092	BONNET	.625' flange		1
41	6665084	VALVE	solenoid - W/Ref. HYDRAULIC CONTROL VALVE(16) & HYDRAULIC CONTROL VALVE(54) - Was 6653395 [B,D]		2
41	6586459	SEAL KIT			x
42	6805241	CROSS	W/Ref. HYDRAULIC CONTROL VALVE(45)		1
42	97K-6	O-RING	flared end		1
43	6588781	END CAP			2
44	6592720	PLUG	W/Ref. HYDRAULIC CONTROL VALVE(23)-HYDRAULIC CONTROL VALVE(25)		1
45	79K-6	O-RING			x
46	58K-124	O-RING			2
47	6595951	SLEEVE			2
48	6596332	SPRING			2
49	6577690	TUBE			1
50	6805243	TEE	W/Ref. HYDRAULIC CONTROL VALVE(45) - flat boss face - W/ flared end O-ring		1
50	97K-6	O-RING	flared end		1
51	6595663	BUSHING			2
52	6662848	CAP			1
53	6534630	RESTRICTOR	.134/.141		1
54	6717706	COIL	10 volt - W/Nut		2
55	6665846	SEAL			4
56	58K-127	O-RING			2
57	6671632	VALVE	port relief - 3400-3600 PSI - W/Ref. HYDRAULIC CONTROL VALVE(23)-HYDRAULIC CONTROL VALVE(25)		1
58	6803605	SEAL KIT	one spool - Ref. HYDRAULIC CONTROL VALVE(4), HYDRAULIC CONTROL VALVE(26) & HYDRAULIC CONTROL VALVE(55)		x
58	6632279	SEAL KIT	main relief - Ref. HYDRAULIC CONTROL VALVE(17)-HYDRAULIC CONTROL VALVE(20) - main relief		x
58	6809425	SEAL KIT	Ref. HYDRAULIC CONTROL VALVE(13) & HYDRAULIC CONTROL VALVE(23)-HYDRAULIC CONTROL VALVE(25) - Was 6586461 [A]		x
58	6809448	SEAL KIT	complete - Ref. HYDRAULIC CONTROL VALVE(4), HYDRAULIC CONTROL VALVE(13), HYDRAULIC CONTROL VALVE(17)-HYDRAULIC CONTROL VALVE(20)		x

# HYDRAULIC CONTROL VALVE (Service Valve) (ACS)

**NOTE:** 6810026 Valve is minus all fittings, relief valves, anti-cav valves, solenoid valves and solenoid spools. Remove and use existing parts from old valve or order new parts as necessary.



# BUCKET POSITIONING VALVE

Ref.N°	Part N°	Description	Remarks	Serial N°	Qty.
1	6666341	VALVE	Ref. BUCKET POSITIONING VALVE(2)-BUCKET POSITIONING VALVE(20)		1
2	6647784	PLUG	W/Ref. BUCKET POSITIONING VALVE(3)		2
3	79K-8	O-RING			2
4	6647785	SPRING			2
5	6647783	LOAD CHECK			2
6	NSS	SPOOL			1
7	58K-116	O-RING	Was 80K-116 [A]		3
8	6647780	PLUG	W/Ref. BUCKET POSITIONING VALVE(7)		2
9	6667176	PLUG	W/Ref. BUCKET POSITIONING VALVE(7)		1
10	6667680	SNAP RING			1
11	6648294	SPRING			1
12	NSS	SPOOL			1
13	NSS	BODY			1
14	6667676	COVER			1
15	6631561	NUT			1
16	6648293	SCREW			1
17	6647778	CAP			1
18	79K-6	O-RING	Was 6634874 [B]		1
19	6647777	PIN			1
20	6667677	O-RING			1
21	6647786	SEAL KIT	Ref. BUCKET POSITIONING VALVE(3), BUCKET POSITIONING VALVE(7), BUCKET POSITIONING VALVE(14), BUCKET POSITIONING VALVE(18) & BUCK		1

## HIGH FLOW HYDRAULICS

Ref.N°	Part N°	Description	Remarks	Serial N°	Qty.
1	6667382	PUMP			1
2	NSS	BOLT			8
3	NSS	SEAL			1
4	945412	WASHER			1
5	NSS	COVER			1
6	NSS	O-RING			2
7	NSS	O-RING	moulded		1
8	NSS	SEAL	bearing		1
9	NSS	SEAL			1
10	NSS	PLATE	wear		1
11	6661020	KEY			1
12	NSS	GEAR			1
13	NSS	GEAR			1
14	NSS	BODY			1
15	NSS	O-RING			1
16	NSS	COVER			1
17	6668013	SEAL KIT	Ref. HIGH FLOW HYDRAULICS(3), HIGH FLOW HYDRAULICS(4) & HIGH FLOW HYDRAULICS(6)-HIGH FLOW HYDRAULICS(10)		1

## HAND CONTROLS

Ref.N°	Part N°	Description	Remarks	Serial N°	Qty.
41	98D-6	NUT	AHC - See Page CONTROLS ELECTRICAL(1)		4
42	25E-17	WASHER	AHC - See Page CONTROLS ELECTRICAL(1)		8
43	6673789	BEARING	roller - AHC - See Page CONTROLS ELECTRICAL(1)		4

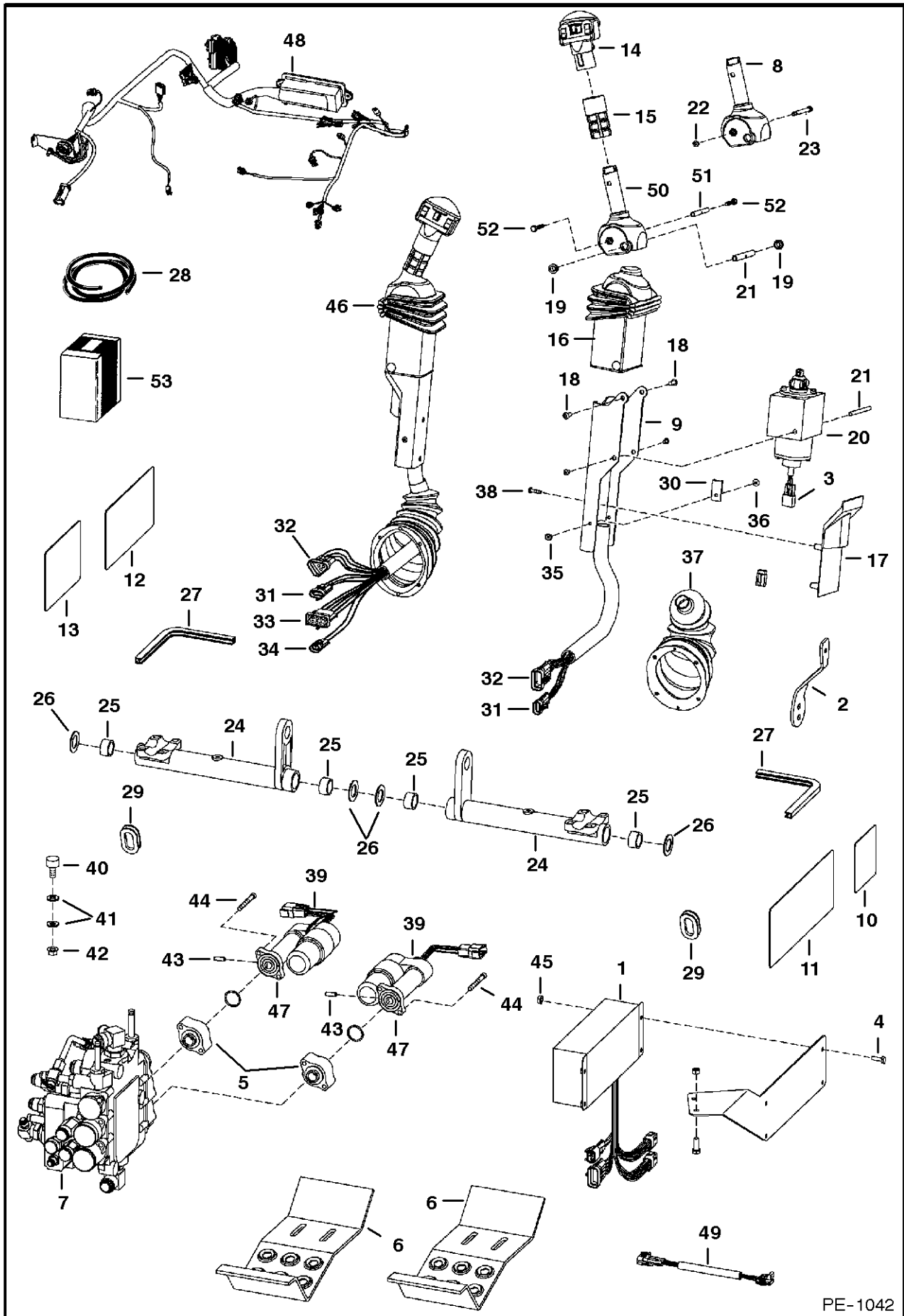
## GEAR PUMP

Ref.N°	Part N°	Description	Remarks	Serial N°	Qty.
1	6672513	PUMP	Model B5501-36836		1
2	6671042	SEAL KIT			1

## CAB ELECTRICAL CIRCUITRY

Ref.N°	Part N°	Description	Remarks	Serial N°	Qty.
1	6727178	HARNESS			1
2	6678680	PANEL	%L.H. - W/Ref. CAB ELECTRICAL CIRCUITRY(6) - Was 6672346 [A]		1
2	6675982	PLUG	backlighting service hole		1
2	6679855	BULB	Was 6675337 [A]		2
3	6678681	PANEL	R.H. - keyed - W/Ref. CAB ELECTRICAL CIRCUITRY(8) & CAB ELECTRICAL CIRCUITRY(9) - Was 6677175 [A]		1
3	6678682	PANEL	R.H. - deluxe - keyless - Was 6672348 [A]		1
3	NAP	INSTRUCTIONS	for deluxe panel - See Service Manual - Was 6900860 [A]		1
4	NAP	CROSSMEMBER	Order 6679845 Crossmember - See Page CAB ELECTRICAL CIRCUITRY(1) - Was 6674317 [A]		1
5	6675033	INSERT	threaded		6
6	6679856	ALARM	W/nut - Was 6675390 [A]		1
7	6719084	BOLT			6
8	6679842	SWITCH	ignition - W/Ref. CAB ELECTRICAL CIRCUITRY(9) - Was 6675470 [A]		1
9	6674202	NUT			2
10	6709527	KEY	ignition		1
11	NAP	KIT	keyless ign. - Order 6672348inD1S Panel - See Service Manual		1
12	6719038	PLUG	Was 6807730 [A]		x
13	6674403	COVER			2
14	6675171	CLAMP			1
15	84G-3712	BOLT			1
16	6E-5	WASHER			1
17	6676536	SWITCH	park brake		1

# CONTROLS ELECTRICAL (AHC Option) (W/O Push Button Float)

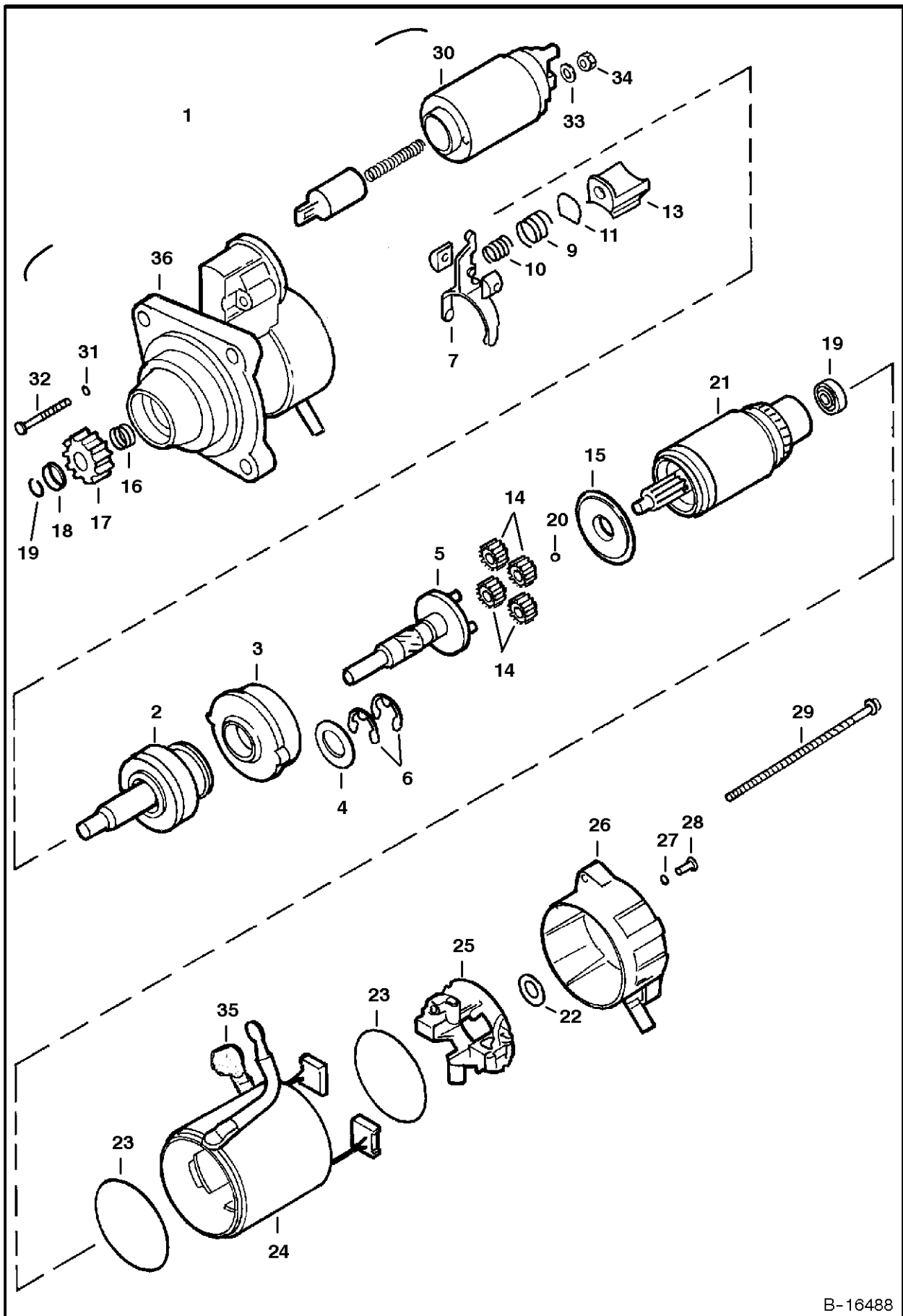


PE-1042

## CONTROLS ELECTRICAL

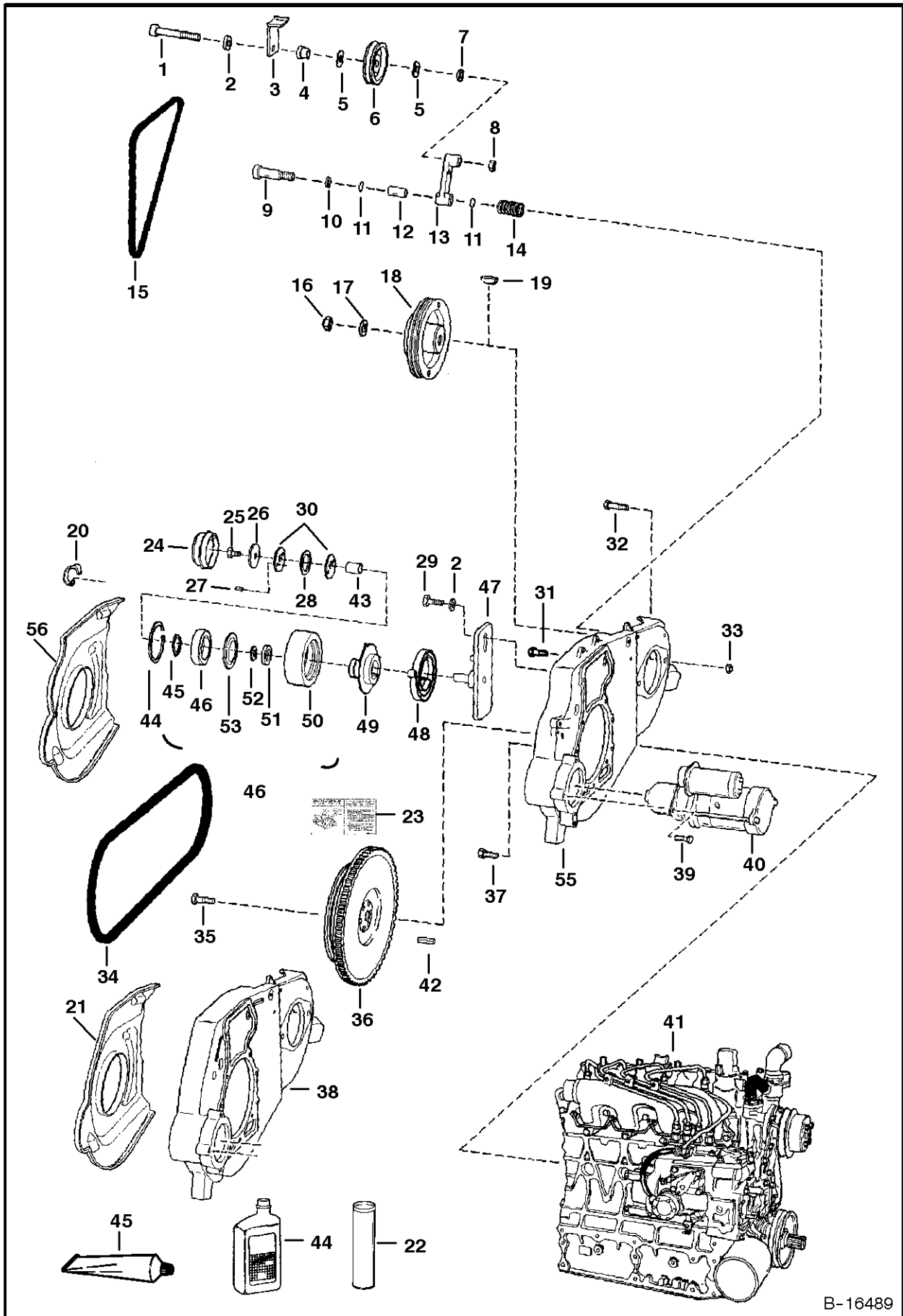
Ref.N°	Part N°	Description	Remarks	Serial N°	Qty.
1	6676333	LEVER	tilt - R.H.		1
1	6676497	LEVER	lift - L.H.		1
2	6677536	HANDLE	lift - R.H.		1
2	6675749	HANDLE	lift - L.H.		1
3	6713349	GRIP			2
4	6729594	HANDLE			2
4	6729595	HANDLE	L.H.		1
5	6729600	SPACER	threaded		1
6	6727065	BOLT			6
7	25GT-410	BOLT			8
8	6702990	BUSHING			4
9	6713043	SPACER			4
10	6713898	COVER			2
11	6719715	STRAP	stop		1
12	25E-13	WASHER			1
13	6719835	SLEEVE			4
14	6719834	SPACER	threaded		2
15	6675741	SENSOR			2
15	6670706	CONNECTOR			1
15	6670715	SOCKET			3
15	6670710	LOCK			1
16	6665322	RIVET	female		2
17	6665321	RIVET	male		2
18	6665000	CLIP			2
19	6670707	CONNECTOR			1
19	6670715	SOCKET			3
19	6670711	LOCK			1
20	6719712	CHANNEL	R.H.		1
20	6719711	CHANNEL	L.H.		1
21	6532127	BOOT			2
22	6640692	CONNECTOR	10-pin		1
22	6640690	PIN			8
22	6640694	LOCK			1
22	6641176	SEAL			8
22	6646582	PLUG	cavity		1
23	6640699	CONNECTOR	3-pin		2
23	6640690	PIN			3
23	6641176	SEAL			3
23	6640700	LOCK			3
24	6667144	CONNECTOR	5-pin		2
24	6640690	PIN			3
24	6641176	SEAL			3
24	6646582	PLUG	cavity		1
24	6641180	LOCK			1
25	6641179	CONNECTOR	2-pin		1
25	6640690	PIN			2
25	6641176	SEAL			2
25	6641180	LOCK			1
26	6675745	SPRING			1
27	6676029	SOLENOID			1

**\*STARTER  
(Valeo)**



B-16488

# ENGINE & ATTACHING PARTS (Belt Drive System)



B-16489

## GEARCASE

Ref.N°	Part N°	Description	Remarks	Serial N°	Qty.
1	6674164	CASE ASSY.			1
2	6675517	FILTER	oil filter - 6 Pack - Was 3974896 [A]		1
3	6667425	PLUG	pin		2
4	3966515	O-RING			2
5	3966530	O-RING			1
6	6652592	PIN	start spring		1
7	3974395	PIN	straight		2
8	6653806	GASKET	gearcase		1
9	3974888	BOLT			2
10	1CM-870	BOLT			5
11	2EM-8	WASHER			1
12	1CM-880	BOLT			2
13	6653808	BOLT			3
14	1CM-895	BOLT			2
15	6EM-80	WASHER			9
16	6653809	ADAPTER			1
17	15EM-180	WASHER			1
18	6652652	SPRING			1
19	3974893	SEAT	valve		1
20	10J-13	BALL			1
21	3974894	FLANGE	water return		1
22	3974895	GASKET	water return flange		1
23	4CM-620	BOLT			3
24	6714543	GASKET			1
25	6652764	STUD			4
26	1DM-6	NUT			4
27	6EM-60	WASHER	spring		4
28	6653807	BOLT			1
29	6655162	O-RING			1
30	6703736	CAP			1
31	6719048	MOUNT			1

CLICK HERE TO **DOWNLOAD** THE COMPLETE MANUAL

- Thank you very much for reading the preview of the manual.
- You can download the complete manual from: [www.heydownloads.com](http://www.heydownloads.com) by clicking the link below



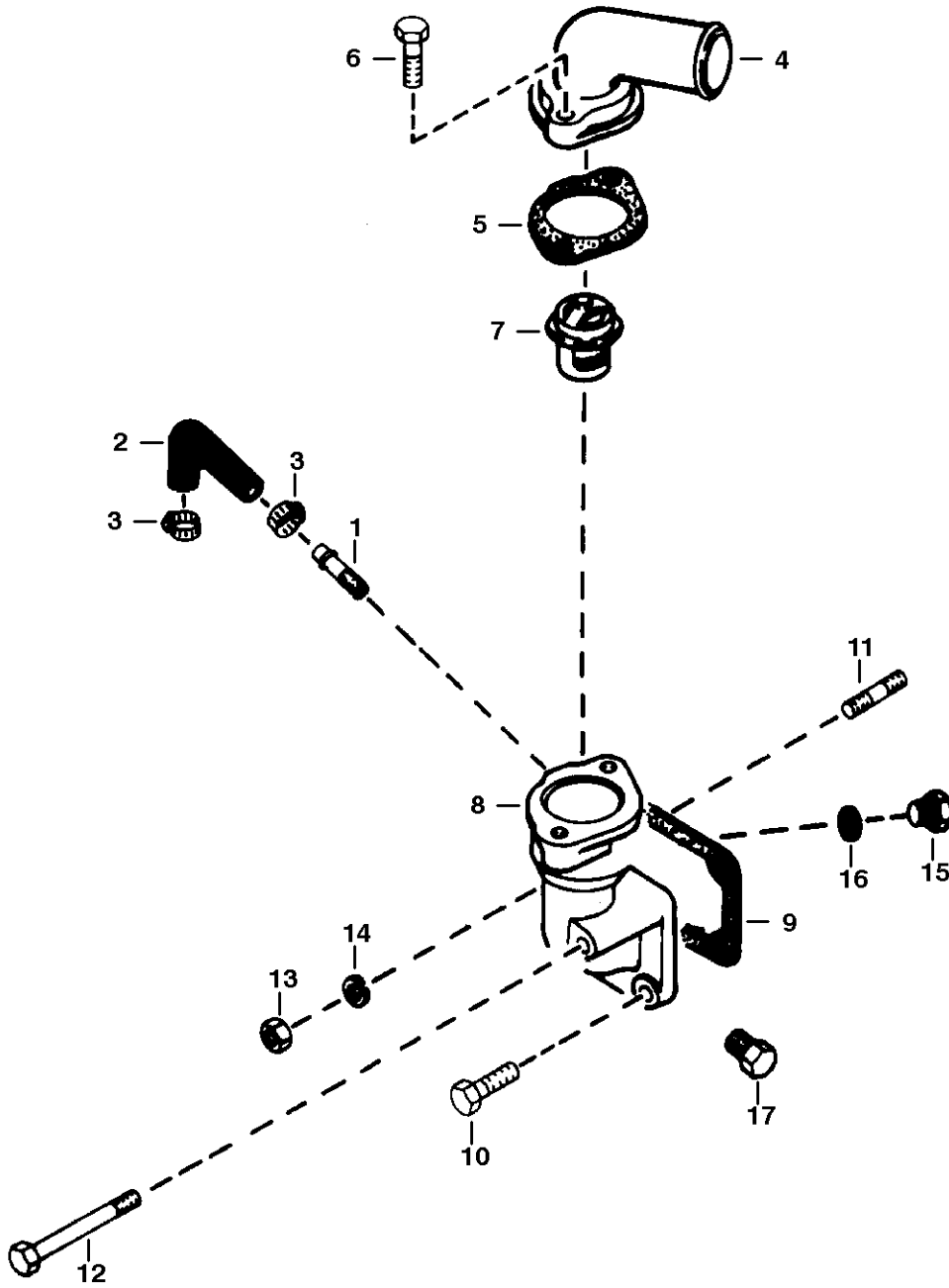
- Please note: If there is no response to CLICKING the link, please download this PDF first and then click on it.

CLICK HERE TO **DOWNLOAD** THE COMPLETE MANUAL

## OIL PAN

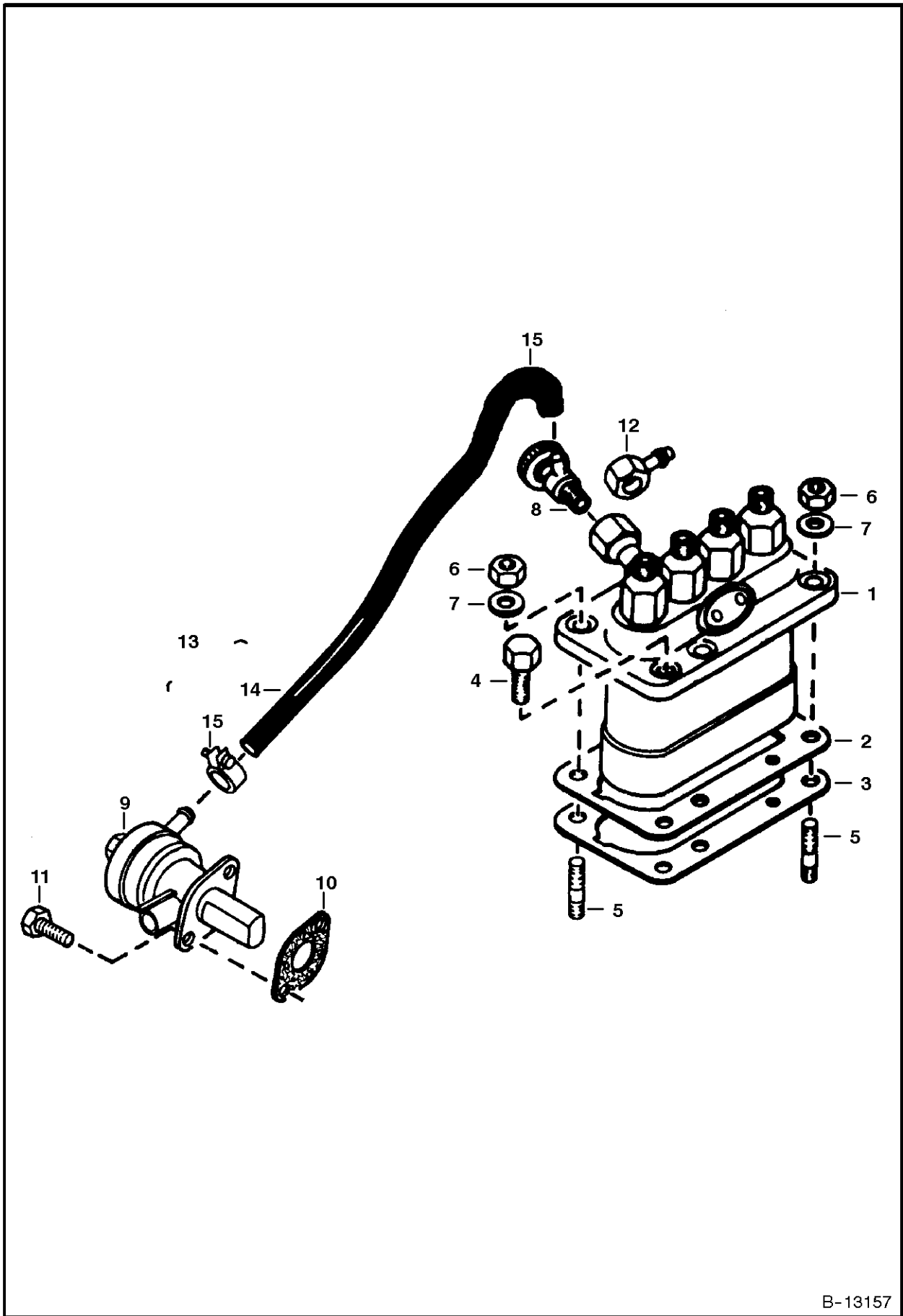
Ref.N°	Part N°	Description	Remarks	Serial N°	Qty.
1	6655151	OIL PAN			1
2	3975449	GASKET	oil pan		1
3	6653798	BOLT			24
4	3974402	PLUG	drain		1
5	3974403	GASKET			1
6	6655194	OIL FILTER			1
7	4CM-816	BOLT			1
8	3966516	O-RING			1
9	NAP	DIPSTICK	oil - Order 6677202 Dipstick & Ref. OIL PAN(10) - Was 6658245 [A]		1
9	6677202	DIPSTICK	oil - long		1
10	6677203	TUBE	for long dipstick		1

# WATER FLANGE & THERMOSTAT



B-13141

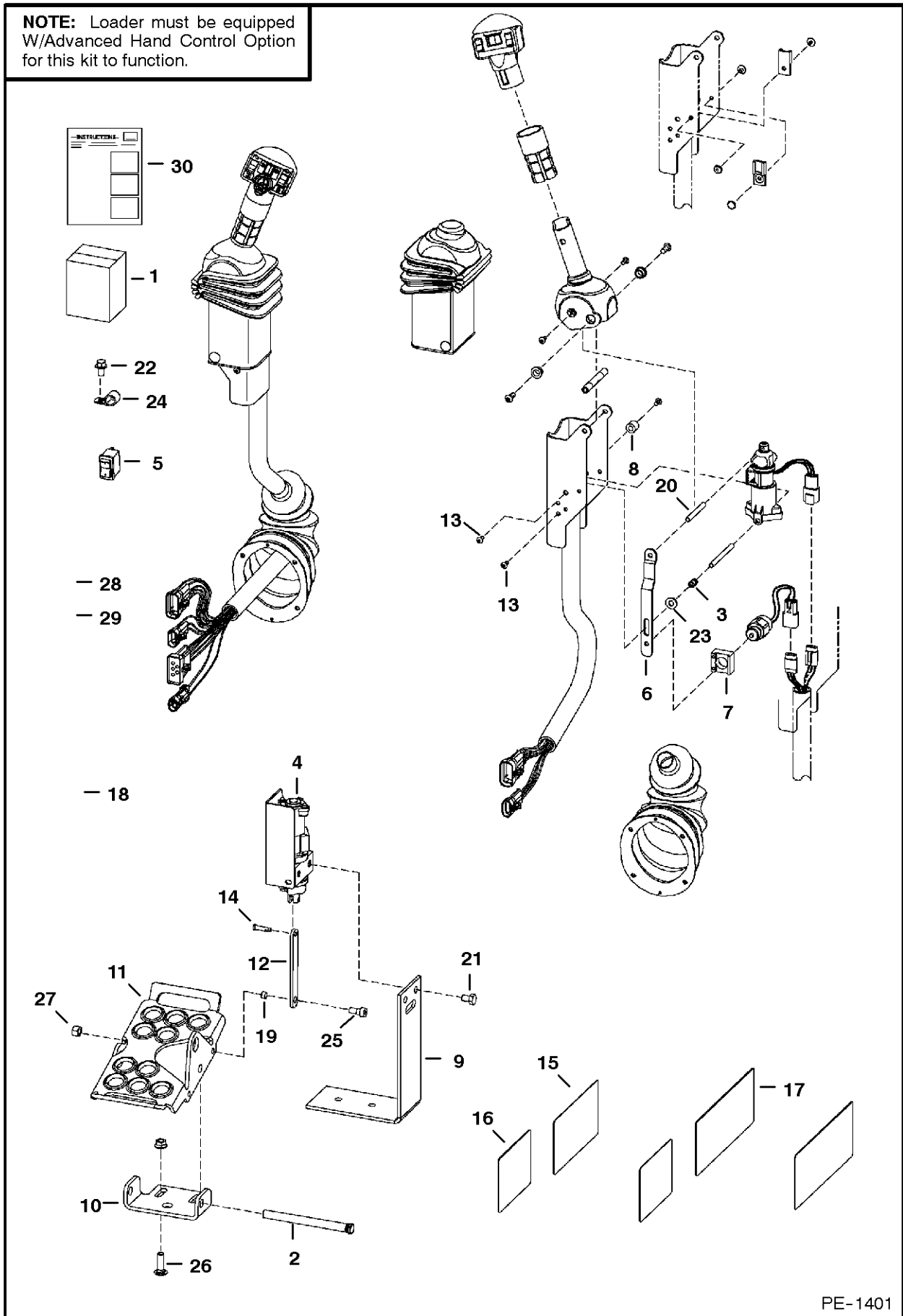
# INJECTION PUMP



B-13157

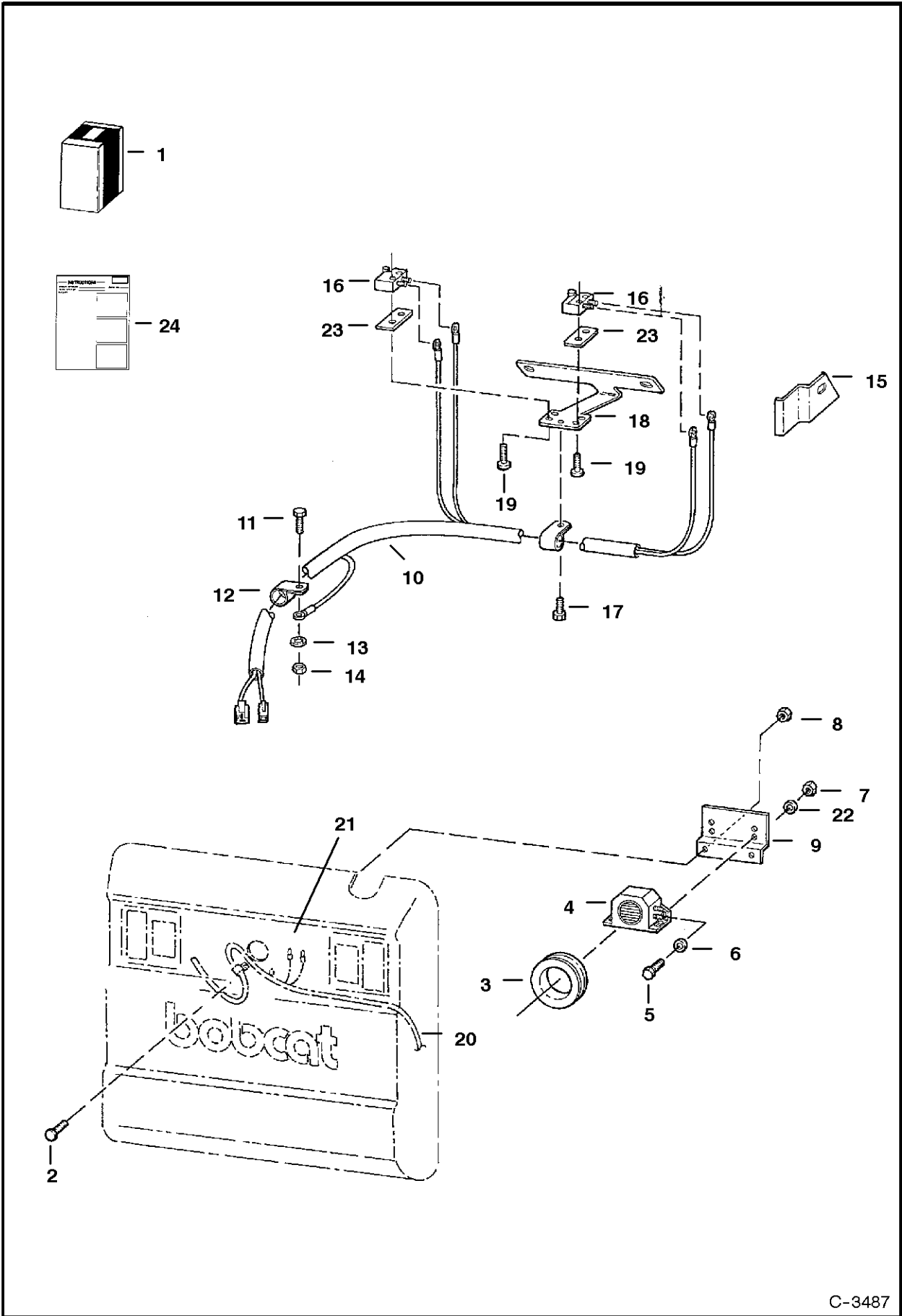
# ACS CONVERSION KIT

**NOTE:** Loader must be equipped W/Advanced Hand Control Option for this kit to function.



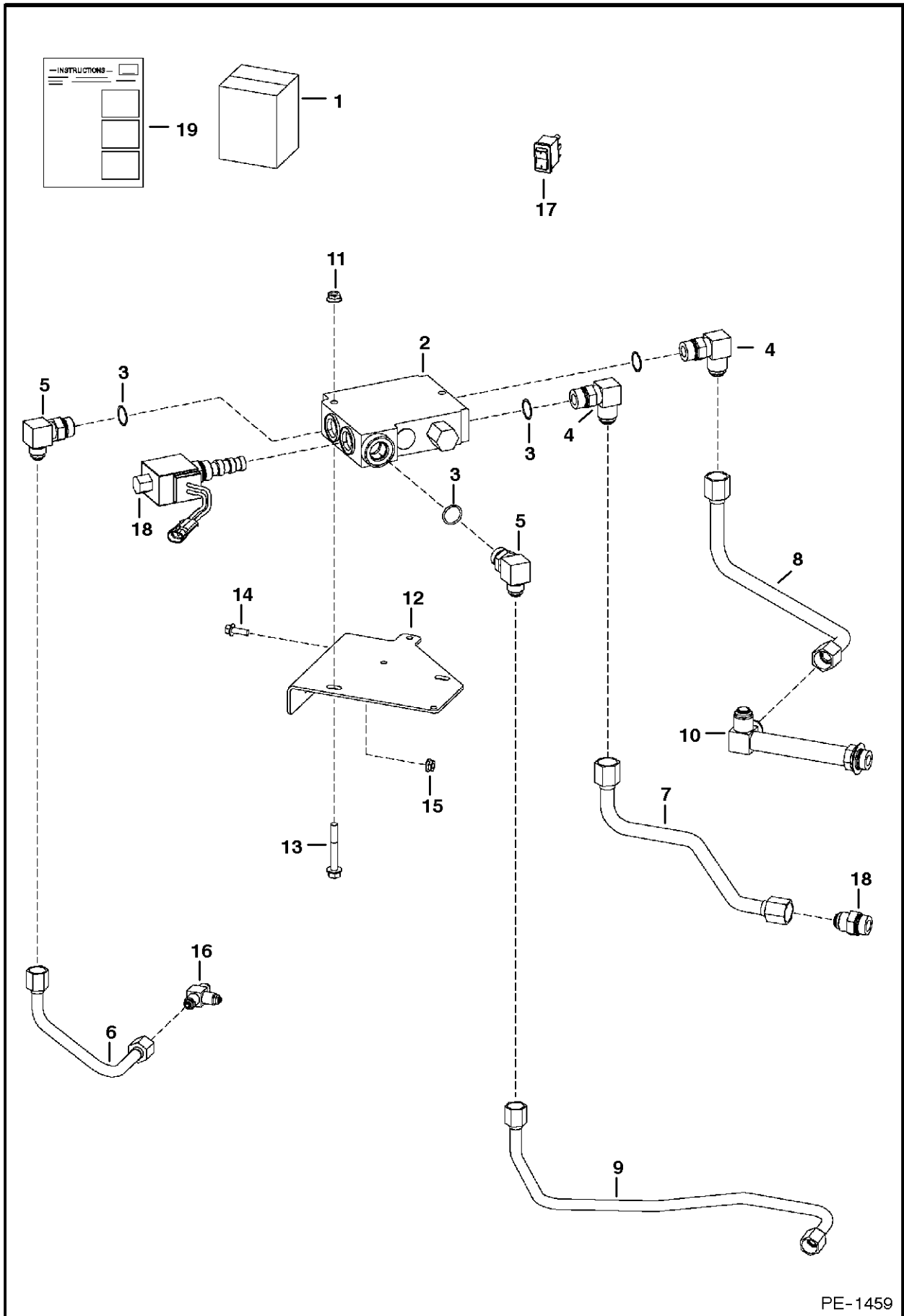
PE-1401

BACK-UP ALARM



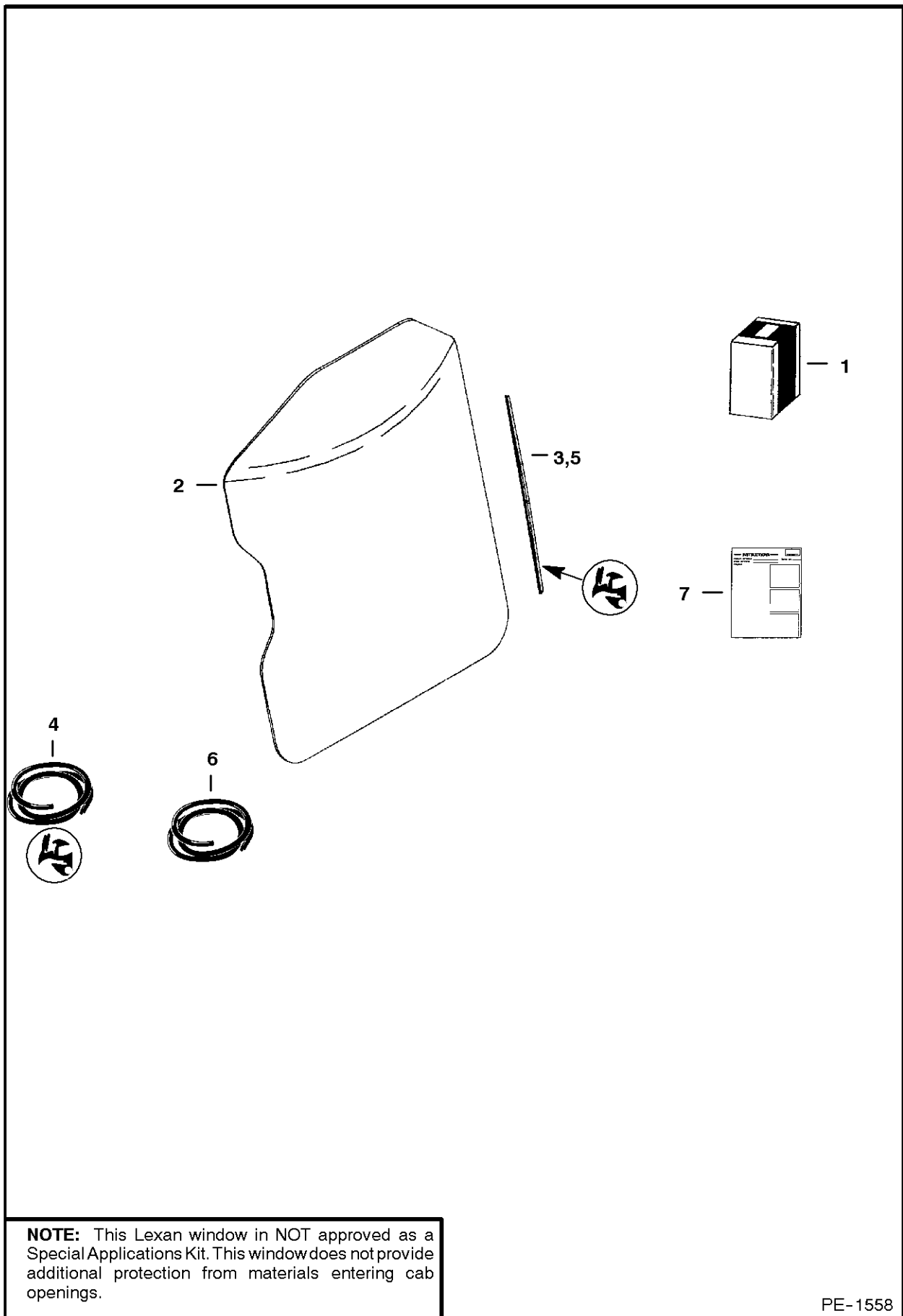
C-3487

**\* BUCKET POSITIONING VALVE KIT**



PE-1459

# CAB DOOR (Lexan Window)



**NOTE:** This Lexan window is NOT approved as a Special Applications Kit. This window does not provide additional protection from materials entering cab openings.

PE-1558

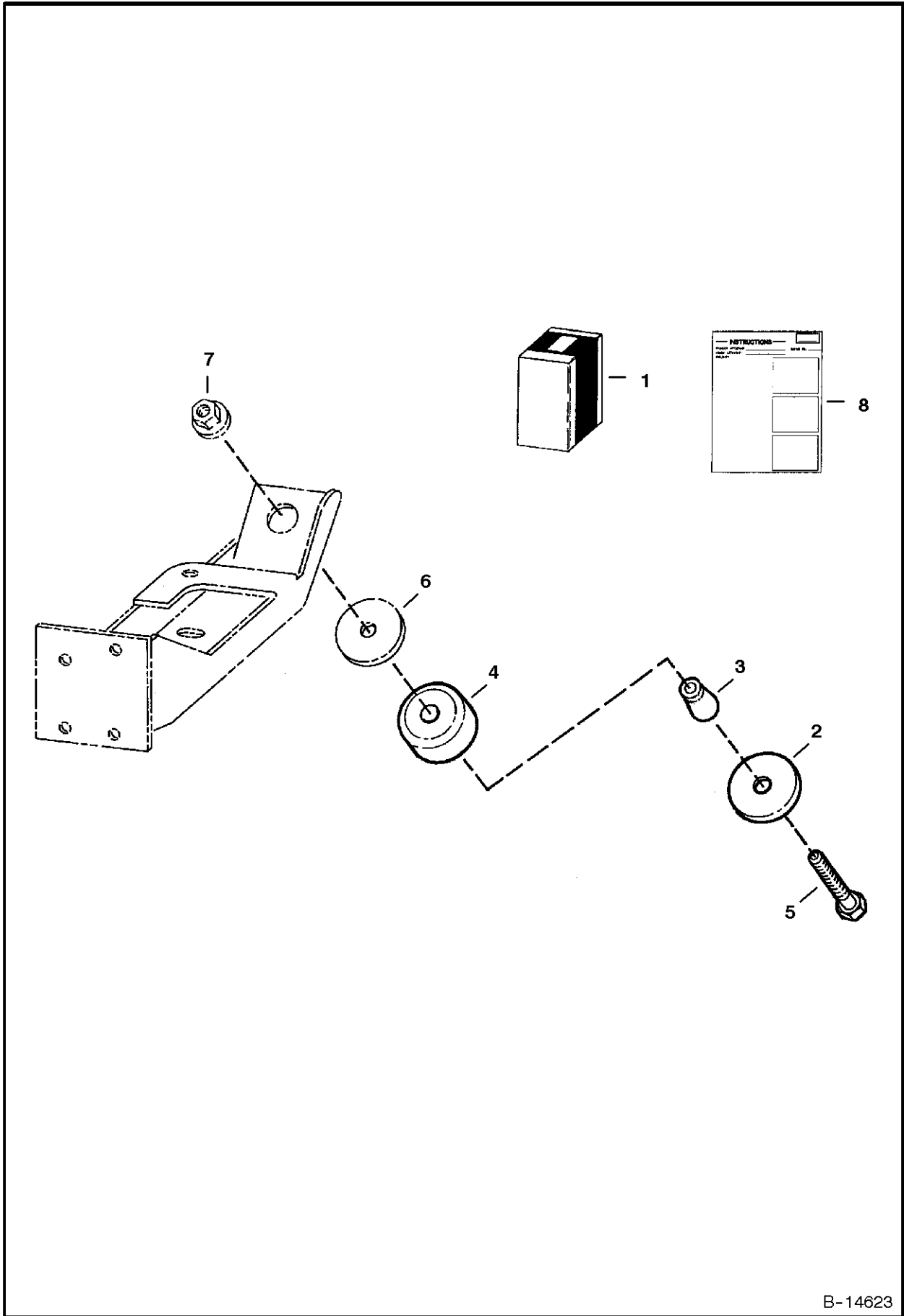
## CAB WINDOWS

Ref.N°	Part N°	Description	Remarks	Serial N°	Qty.
1	6725946	KIT	Ref. CAB WINDOWS(2) - CAB WINDOWS(4)		1
2	6725421	HANDLE			1
3	6726303	DECAL			1
4	6901029	INSTRUCTIONS			1

## DELUXE CAB

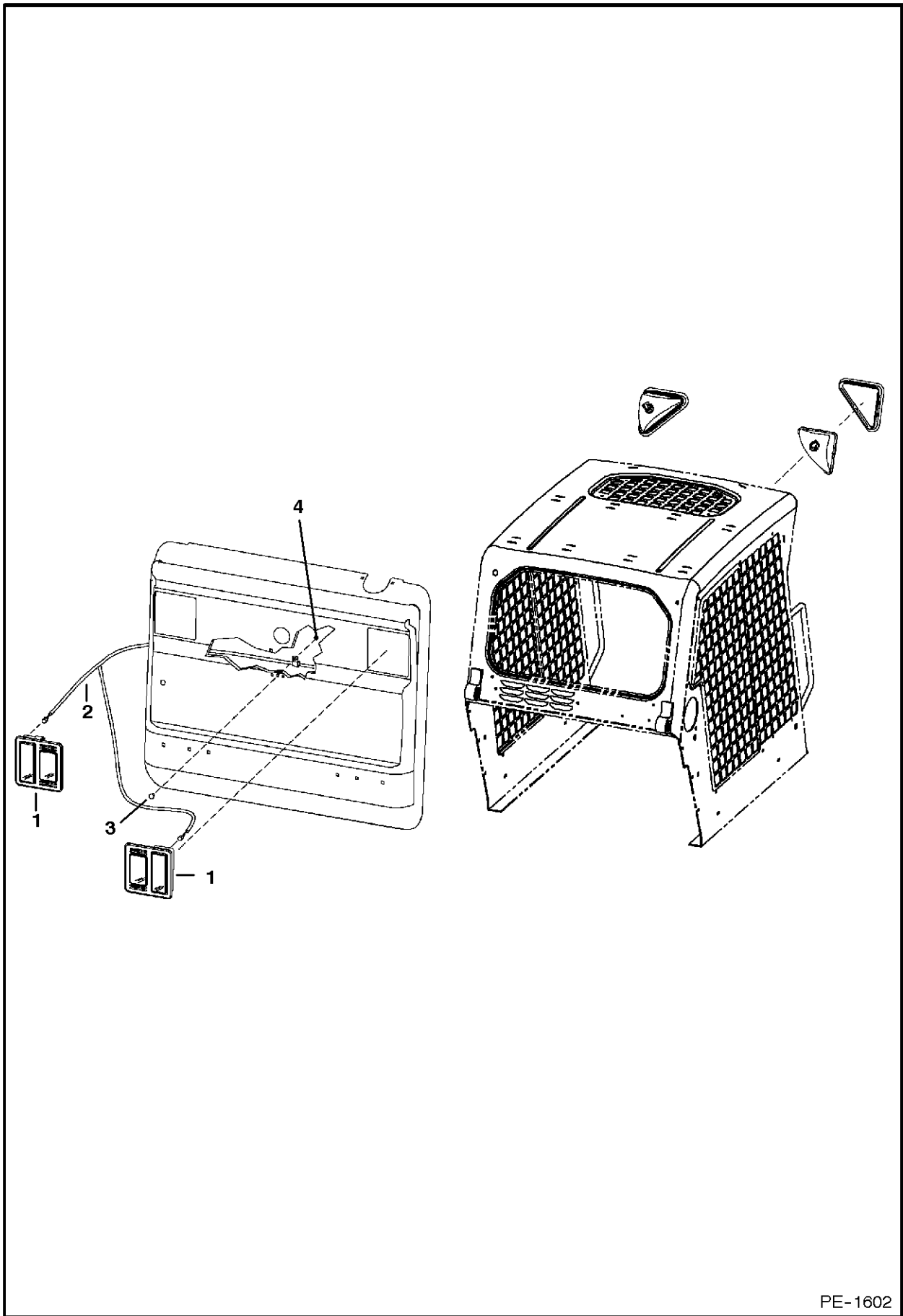
Ref.N°	Part N°	Description	Remarks	Serial N°	Qty.
1	6718804	KIT	deluxe cab - Ref. DELUXE CAB(8) - DELUXE CAB(37 )	5122 57999 & Bel	1
1				5124 50999 & Bel	1
1	6729233	KIT	deluxe cab - SEE NOTE	5122 58000 & Abv	1
1				5124 51000 & Abv	1
2	91G-416	BOLT	Was 88G-1216 [B,D]		4
3	6664085	BUSHING	nylon		4
4	6674741	KNOB			4
5	6675545	GROMMET			4
6	6728629	WINDOW	assy. - W/Ref. DELUXE CAB(5) & DELUXE CAB(7)		1
7	NAP	SEAL	Order Ref. DELUXE CAB(6)		x
8	6731478	EXIT TAG	Was 6559515 [A]		1
9	NAP	HARNESS	'Order 6725273inD19 Harness & 6725275inD17 Harness - Was 6715366 [A]	5122 -	1
9				5124 -	1
9	6725273	HARNESS		5122 - 57999	1
9				5124 - 50999	1
9	6727190	HARNESS	deluxe accessories	5122 58000 & Abv	1
9				5124 51000 & Abv	1
10	6674895	RETAINER	snap in		4
11	6717515	INSULATION	headliner		1
12	6678682	PANEL	R.H. - deluxe - keyless - Was 6672348 [A]		1
12	NAP	INSTRUCTIONS	See Loader Service Manual - Was 6900860 [A]		1
13	6664221	RETAINER	snap in		2
14	6664368	DOME LIGHT	dome		1
14	6665367	BULB			1
15	6669091	CLIP			4
16	6718580	PANEL			1
17	6669224	BOLT			4
18	6719038	PLUG			5
19	6675387	SEA;	bulk - Sold Per Foot - Was 6674524 [A]		x
19	6554149	CORD	bulk - Sold Per Foot		x
20	6664224	CAP			1
21	6664223	OUTLET			1
22	6717519	INSULATION			1
23	6610510	NYLON TIE			6
24	5289686	PLUG	black - for .375' dia. hole		5
25	6649949	PLUG	for .50' dia. hole		2
26	6657719	PLUG	for .75' dia. hole		1
27	6717520	INSULATION			1
28	6727299	INSULATION	cab back - Was 6719425 [A]		1
29	NAP	EXTRUSION	75.75'(1924 mm) long - Order Ref. DELUXE CAB(19)		x
29	NAP	CORD	75.75'(1924 mm) long - Order Ref. DELUXE CAB(19)		x
30	6717518	INSULATION			1
31	6717874	WINDOW	rear		1
32	6717517	INSULATION			1
33	6668742	SWITCH	travel control - export		1
34	NAP	WINDOW	Order Ref. DELUXE CAB(6) - Was 6725360 [A]		1
35	NAP	SEAL	Order Ref. DELUXE CAB(6)		x
36	NAP	SEAL	bulk - Sold Per Foot - Order Ref. DELUXE CAB(6) - Was 6675546 [A]		x

# ENGINE MOUNT KIT (For Rough Application)



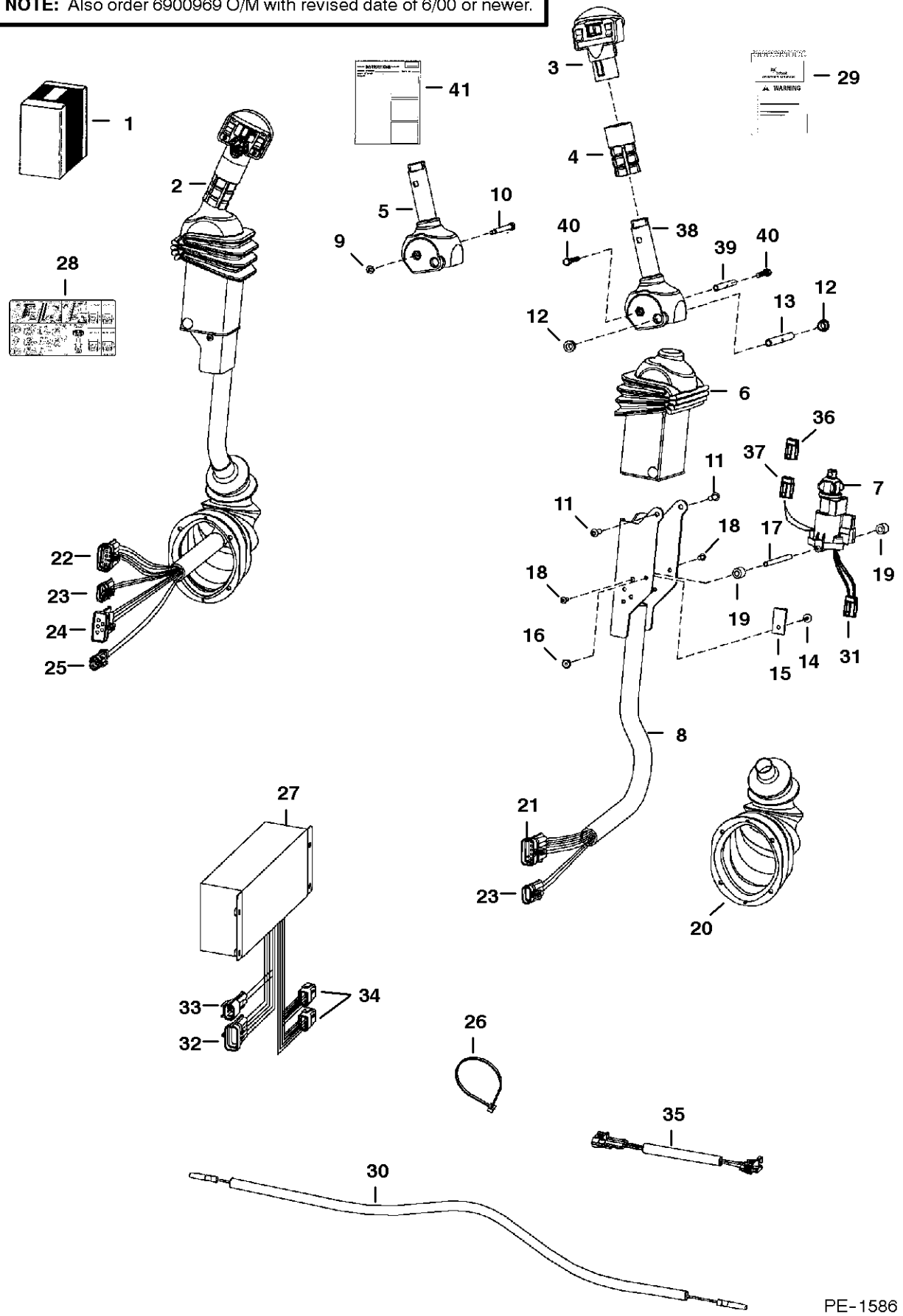
B-14623

**EUROPEAN ACCESSORIES**  
**(Rear Door Lights)**



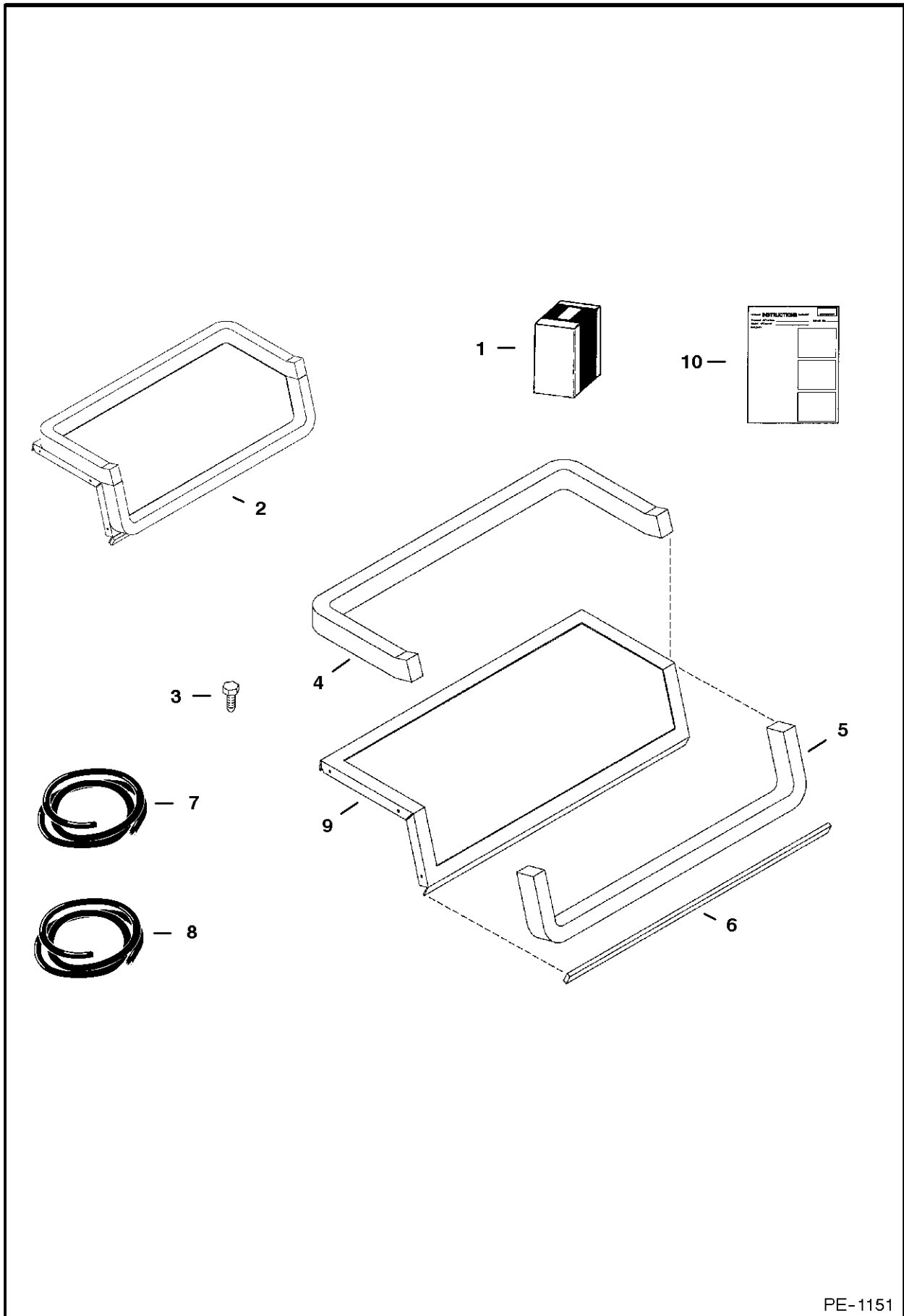
# HAND CONTROL KIT (W/Push Button Float)

**NOTE:** Also order 6900969 O/M with revised date of 6/00 or newer.



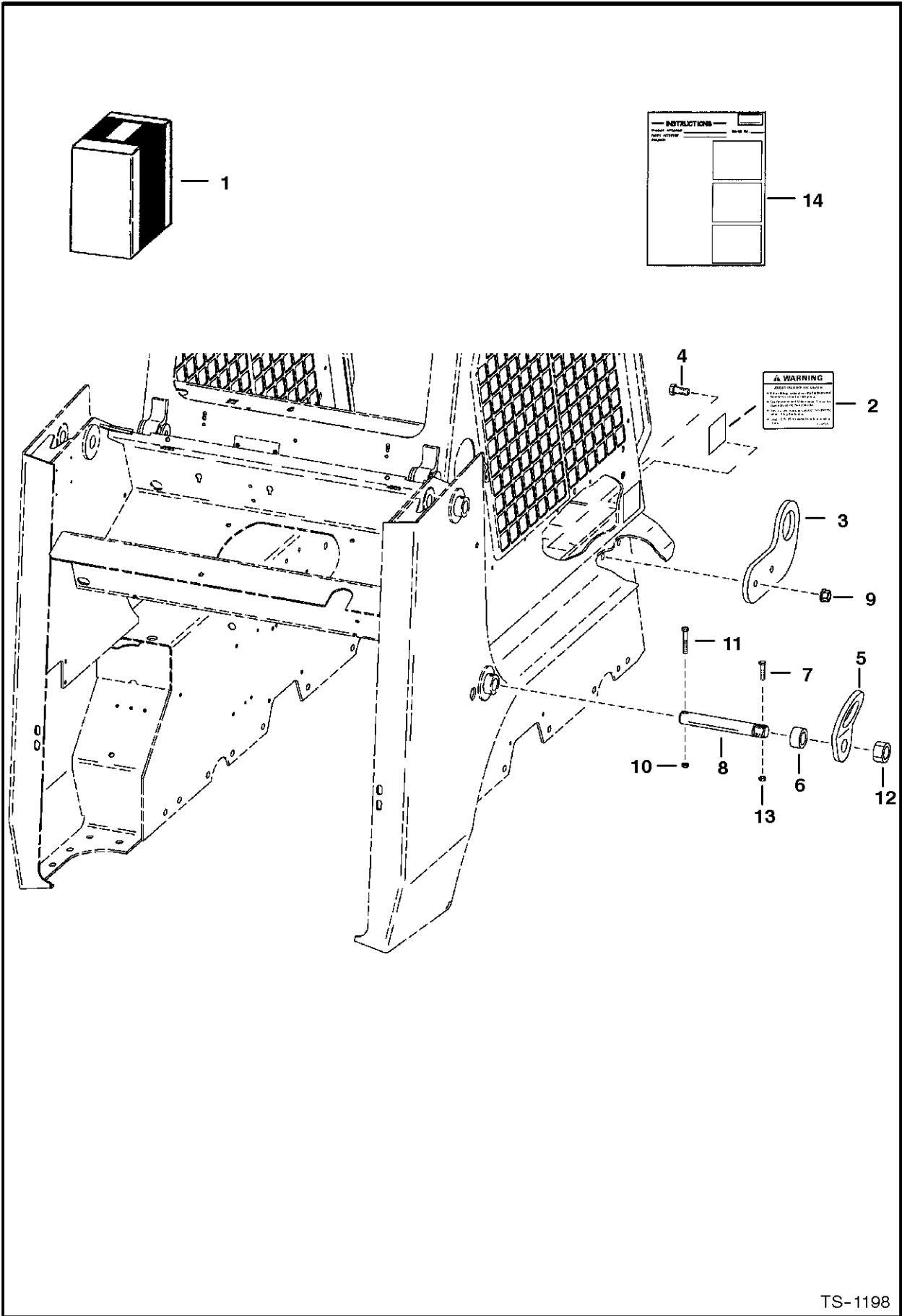
PE-1586

# HEATER (Blower Seal Kit)



PE-1151

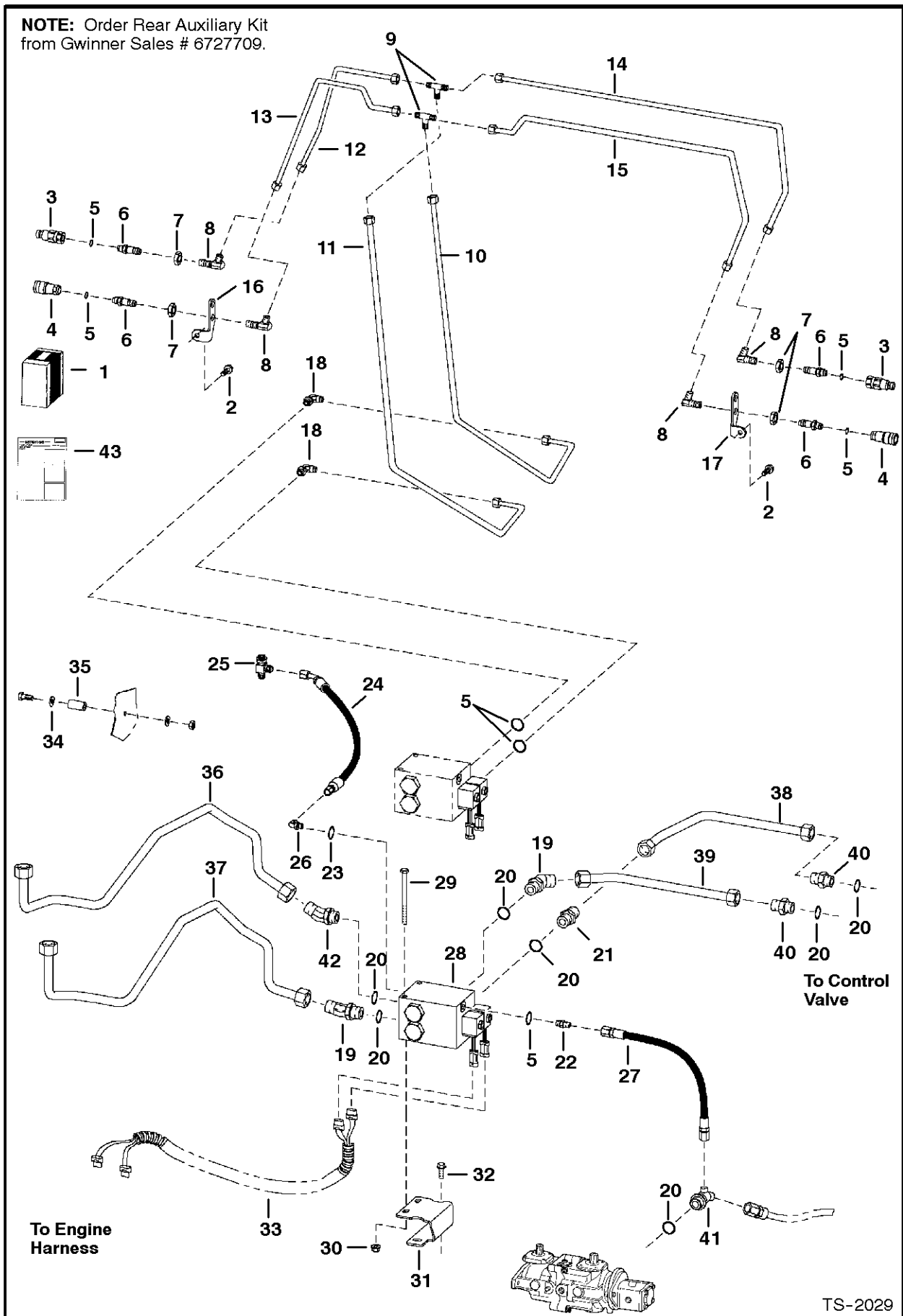
# LIFT KIT (Four Point)



TS-1198

# REAR AUXILIARY KIT

**NOTE:** Order Rear Auxiliary Kit from Gwinner Sales # 6727709.

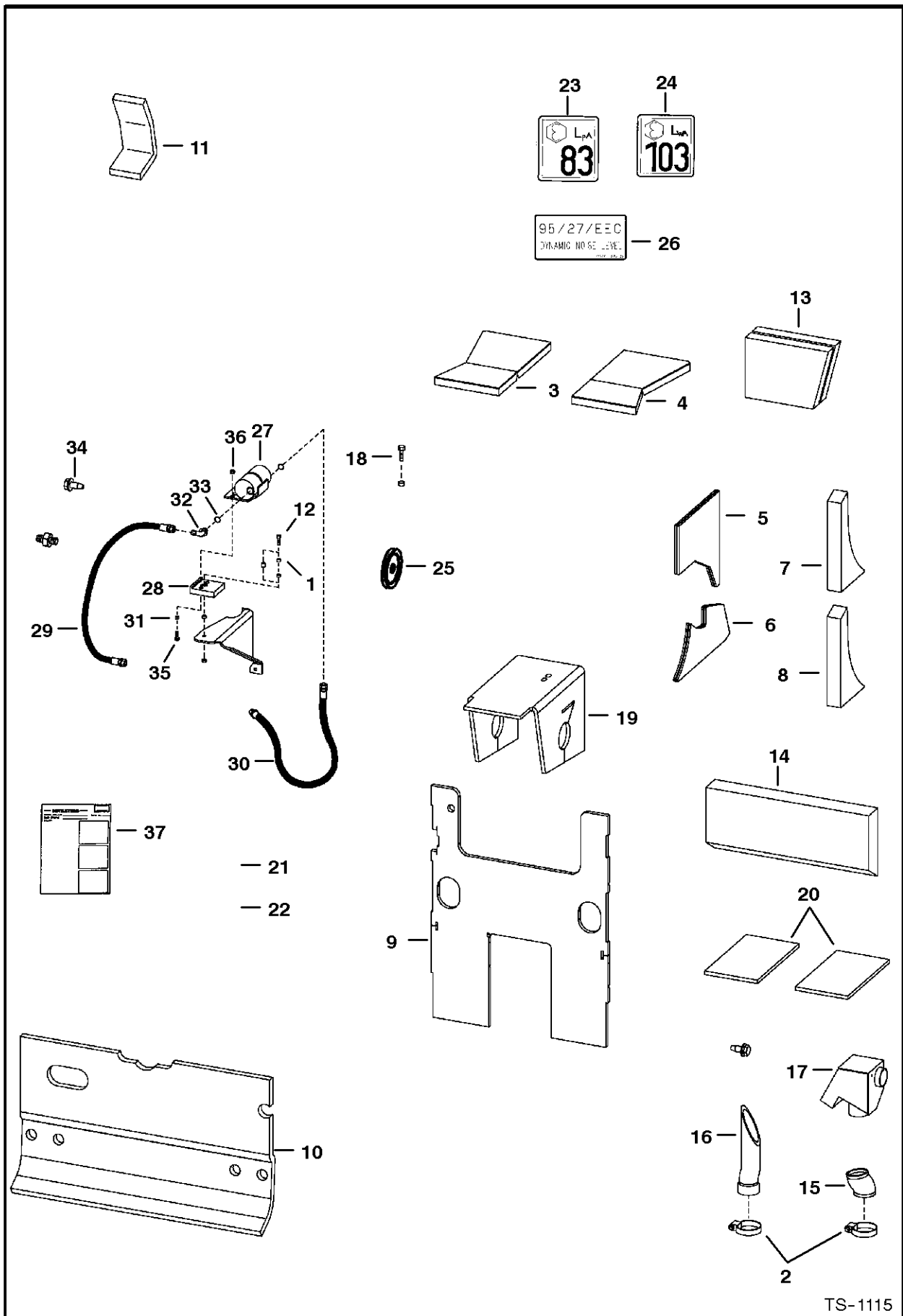


TS-2029

## SEAT

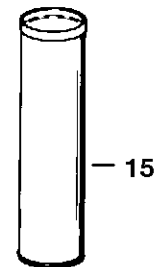
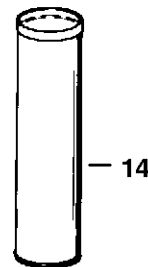
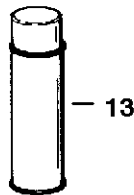
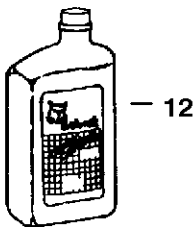
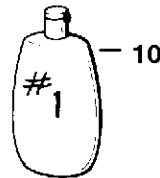
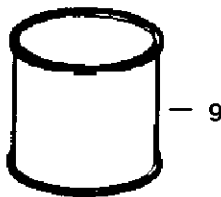
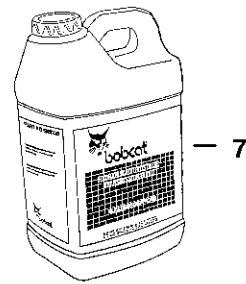
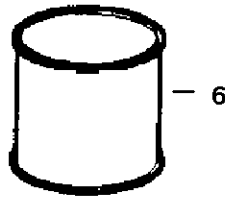
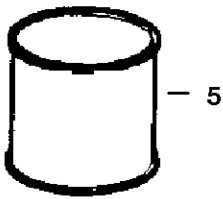
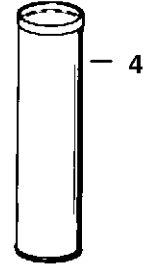
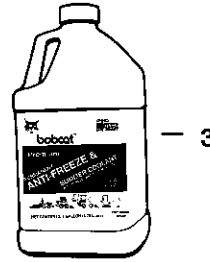
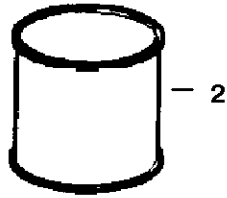
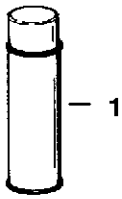
Ref.N°	Part N°	Description	Remarks	Serial N°	Qty.
1	NAP	KIT	vinyl seat - Order Ref. SEAT(2), SEAT(3) & SEAT(64) - Was 6718868 [A]		1
1	NAP	KIT	fabric seat - Order Ref. SEAT(2), SEAT(3) & SEAT(64) - Was 6718869 [A]		1
2	NAP	SEAT	vinyl - W/Ref. SEAT(4) - SEAT(61) - W/R.H. recliner lever - Order 6675595inD1}v Seat - Was 6674896 [A]		1
2	6675595	SEAT	vinyl - W/Ref. SEAT(4) - SEAT(61) - W/L.H. recliner lever		1
2	NAP	SEAT	fabric - W/Ref. SEAT(4) - SEAT(61) - W/R.H. recliner lever - Order 6675596inD1}t Seat - Was 6674404 [A]		1
2	6675596	SEAT	fabric - W/Ref. SEAT(4) - SEAT(61) - W/L.H. recliner lever		1
3	6675170	SEAT BELT	lap		1
4	6675320	SEAT	seat - fabric		1
4	6675322	SEAT	seat - vinyl		1
5	6675319	SEAT	backrest - fabric - W/Ref. SEAT(58)		1
5	6675321	SEAT	backrest - vinyl - W/Ref. SEAT(58)		1
6	6675317	SCISSORS			1
7	6675323	KNOB	recliner		1
8	NSS	NUT			6
9	619021	WASHER			2
10	NSS	SLIDE	slave		1
11	NSS	BOLT			4
12	NSS	SLIDE	locking		1
13	NSS	NUT			2
14	NSS	BELT	tether		2
15	NSS	WASHER	cross pivot		4
16	NSS	BOLT	pivot		2
17	NSS	RING	retaining		2
18	NSS	ROLLER			4
19	NSS	NUT			2
20	NSS	BUSHING	weight adjustment		4
21	NSS	RIVET			2
22	NSS	BLOCK	up stop		2
23	NSS	WASHER			3
24	NSS	STOP	armrest		1
25	NSS	PUSHNUT			2
26	NSS	BUMPER			1
27	NSS	NUT			1
28	NSS	SHAFT	bearing		1
29	NSS	RIVET	female snap		1
30	NSS	INDICATOR	weight		1
31	NSS	RIVET	male snap		1
32	NSS	DIAL	weight indicator		1
33	NSS	POP RIVET			2
34	NSS	SPACER			1
35	NSS	NUT			1
36	NSS	BEARING	thrust		1
37	NSS	RACE	thrust		2
38	NSS	SHEAR PIN			1
39	NSS	HANDLE	weight adjustment		1
40	NSS	PLATE	wear		1

# SOUND OPTION



TS-1115

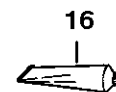
**BULK ITEMS  
(SEE NOTE)**



**NOTE:** Some of these bulk items may not be used on this particular model Bobcat.

**NOTE:** See Merchandising catalog for more products & information.

**NOTE:** Paint spray cans are packaged 6 per box.  
Motor oil quarts are packaged 12 per box.  
Motor oil 5 qt. jugs are packaged 4 per box.  
Motor oil 2.5 gal. jugs are packaged 2 per box.



B-16462

**NUMERICAL INDEX (Cont'd)**

<b>Part No.</b>	<b>Description</b>	<b>Was</b>	<b>Code</b>	<b>Page</b>
6649536	PLUG			244
6649551	SHOCK			144
6649949	PLUG			320
6650239	SCREEN			32
6650388	SEALANT			416
6650407	ADHESIVE			204, 416
6650627	PLATE			148, 152
6650629	PIN			148, 152
6650630	RETAINER			148, 152
6650634	GASKET			148, 152
6650635	BEARING			148, 152
6650636	PIN			148, 152
6650637	BOLT			148, 152
6650646	O-RING			148
6650647	O-RING			148
6650648	PLUG			148
6650652	RELIEF			148
6650668	BOLT			148, 152
6650675	COUPLER			148
6651482	MANIFOLD			246
6651489	COVER			244
6651542	BALL			146
6651709	SEAL			28
6651934	RIVET			238
6652018	BOLT			152
6652487	BOLT			214
6652574	PLUG			226
6652575	PLUG			226
6652580	BOLT			242, 248
6652592	PIN			224
6652624	JOINT			228
6652633	PLUG			236
6652652	SPRING			224
6652653	CAP			228
6652670	STUD			232, 246, 254
6652688	CLAMP			258
6652689	CLAMP			258
6652762	BOLT			242
6652764	STUD			224, 252
6652792	NUT			230, 232, 242, 244, 246, 254
6652818	ADHESIVE			416
6652918	NUT			210, 332
6653484	VALVE			390
6653485	SEAL KIT			390
6653487	SEAL KIT			390
6653490	PLUG			390
6653517	REDUCER			416
6653518	PRIMER			416
6653519	PRIMER			416
6653562	GASKET			244
6653702	SEAL			220

Code for disposition of old part number  
A — Use up  
B — Use on other application (See PNI)

C — File PDR Report with Bobcat Parts Sales  
D — Part Number Error

**NUMERICAL INDEX (Cont'd)**

<b>Part No.</b>	<b>Description</b>	<b>Was</b>	<b>Code</b>	<b>Page</b>
6671025	COIL			114, 130
6671026	COIL			130
6671027	LIGHT			342
6671042	SEAL KIT			156
6671116	TERMINALS			200
6671117	TERMINALS			200
6671118	PINION			200
6671119	CLUTCH ASSY			200
6671120	TERMINAL			200
6671121	COVER			200
6671122	BALL			200
6671123	HOUSING			200
6671124	HOUSING			200
6671125	WASHER			200
6671126	SCREW			200
6671127	BEARING			200
6671128	BEARING			200
6671129	BEARING			200
6671509	COUPLER			152
6671510	RELIEF VALVE			150, 154
6671512	BLOCK ASSY			150, 152
6671513	SWASH PLATE			148, 152
6671514	VALVE PLATE			152
6671515	VALVE PLATE			148
6671516	SEAL KIT			150, 154
6671518	BOLT			148
6671527	NUT			284, 286
6671617	MOTOR			146
6671628	NUT			130
6671629	NUT			130
6671632	VALVE			78, 82, 86, 96, 100, 102, 106
6671667	MUFFLER			208
6671713	HOSE			138
6671714	HOSE			138
6672021	BELT			214
6672026	O-RING			64, 122
6672051	PUMP			148, 152
6672126	GEROLER			146
6672190	DRAINCOCK			226
6672272	WASHER			378
6672273	SCREW			378
6672274	SCREW			378
6672275	GASKET			378
6672276	LENS			378
6672277	BRACKET			378
6672279	MOUNT			378
6672281	CLAMP			136
6672348	PANEL			164, 166
6672448	VALVE ASSY			130
6672449	VALVE ASSY			130
6672450	VALVE ASSY			130

Code for disposition of old part number  
A — Use up  
B — Use on other application (See PNI)

C — File PDR Report with Bobcat Parts Sales  
D — Part Number Error

**NUMERICAL INDEX (Cont'd)**

<b>Part No.</b>	<b>Description</b>	<b>Was</b>	<b>Code</b>	<b>Page</b>
6705112	COUPLER			126
6705129	COUPLER			126
6705231	WASHER			214
6705232	WASHER			214
6705333	MOUNT			344, 406
6705436	TUBE			126
6705442	HOSE			126
6705452	LEVER			218
6705471	MOUNT			126
6705491	SPRING			216
6705700	MOUNT			28
6705711	BRACKET			212
6705749	COVER			52, 126
6705780	PULLEY			126
6705847	SEAL			38
6705848	INSULATION			344, 404, 406
6705849	INSULATION			344, 404, 406
6705850	INSULATION			344, 404, 406
6705920	HANDLE			176
6705921	HANDLE ASSY			372
6706042	COVER			12, 40, 42
6706043	BUSHING			210
6706093	HOSE			124
6706095	MOUNT			142
6706096	MOUNT			142, 150
6706098	GUIDE			142
6706104	RETAINING NUT			76
6706105	YOKE			76
6706106	MOUNT			142
6706144	CONNECTOR			384
6706285	SCREEN			382
6706349	MOUNT			14
6706393	SHIELD			208
* 6706427	AXLE			44
6706485	HOOK			12
6706517	SCREW			32, 204
6706558	DECAL			318
6706565	KIT			176
6706572	SET SCREW			218
6706633	ADAPTER			384, 388
6706718	MOUNT			40, 42
6706737	GASKET			40, 42
6706807	PIN			374
6706825	LIFT EYE			374
6706939	KIT			382
6706968	GASKET			40, 42
6707040	ELBOW			168, 172
6707077	HOUSING ASSY			220
6707078	HOUSING ASSY			220
6707101	SEAL			60, 62, 116
6707172	KIT			414

Code for disposition of old part number  
A — Use up  
B — Use on other application (See PNI)

C — File PDR Report with Bobcat Parts Sales  
D — Part Number Error

**NUMERICAL INDEX (Cont'd)**

<b>Part No.</b>	<b>Description</b>	<b>Was</b>	<b>Code</b>	<b>Page</b>
6726574	RETAINER			194
6726601	HARNESS			172
6726608	COVER			358
6726621	SCREW			364, 366
6726679	MOUNT			266
6726679	MOUNT	6564658	A	76
6726680	PEDAL			266
6726680	PEDAL	6564656	A	76
6726681	LINK			188, 266
6726695	STOP PLATE			194
6726898	BELT			214
6726925	HARNESS			186
6726932	DOOR			296
6726933	FLYWHEEL			214
6726938	SHIELD			214, 216
6726945	MOUNT			328
6727065	BOLT			180, 182, 186, 190, 266, 352, 354
6727084	BRACKET			212
6727129	HARNESS	6727130	B	186
6727140	FILTER			356
6727155	DECAL			184, 354
6727176	KIT			324
6727178	HARNESS			166
6727190	HARNESS			320
6727231	SHIELD			188, 194
6727284	SHIELD			188, 194
6727298	KIT			180, 352
6727299	INSULATION	6719425	A	320
6727308	DECAL	6702827	A	318
6727309	DECAL	6702826	A	318
6727310	DECAL	6711329	A	316
6727311	DECAL	6714139	A	318
6727328	HARNESS			354
6727345	MOUNT	6704342	A	140
6727347	TUBE			140
6727468	HARNESS			270
6727475	CAP	6577785	A	136
6727496	PIN			188, 266
6727528	CABLE			172
6727544	PLATE			28
6727545	PLATE			28
6727580	MOUNT			188
* 6727619	KIT			286
* 6727626	TUBE			58, 286
* 6727627	TUBE			56, 286
* 6727628	TUBE			56, 286
* 6727629	TUBE			58, 286
* 6727630	TUBE			50
6727639	ELBOW			46, 50, 52, 56
* 6727659	TEE			50, 56
* 6727686	HOSE			50, 56

Code for disposition of old part number  
A — Use up  
B — Use on other application (See PNI)

C — File PDR Report with Bobcat Parts Sales  
D — Part Number Error

CLICK HERE TO **DOWNLOAD** THE COMPLETE MANUAL

- Thank you very much for reading the preview of the manual.
- You can download the complete manual from: [www.heydownloads.com](http://www.heydownloads.com) by clicking the link below



- Please note: If there is no response to CLICKING the link, please download this PDF first and then click on it.

CLICK HERE TO **DOWNLOAD** THE COMPLETE MANUAL