



**B3/30 AC Series 5**

**Articulated Counterbalance Forklift  
Parts Manual**



**LANDOLL CORPORATION**

1900 North Street

Marysville, Kansas 66508

(785) 562-5381

800-428-5655 ~ [WWW.LANDOLL.COM](http://WWW.LANDOLL.COM)

CLICK HERE TO **DOWNLOAD** THE COMPLETE MANUAL

- Thank you very much for reading the preview of the manual.
- You can download the complete manual from: [www.heydownloads.com](http://www.heydownloads.com) by clicking the link below



- Please note: If there is no response to CLICKING the link, please download this PDF first and then click on it.

CLICK HERE TO **DOWNLOAD** THE COMPLETE MANUAL

---

## Brake Pedal and Line Installation

---

ITEM	PART NUMBER	DESCRIPTION	QTY.
1	1-654-010047-06	SCREW, HEX CP 1/4 - 20 UNC X 1, GR5	4
2	1-861-010032-07	WASHER, FLAT 1/4, ZP	4
3	1-861-010034-09	WASHER, LKG HLCL SPR, 1/4	4
4	108417	NUT SPIRAL 1/4-20HEX FG	6
5	10K2	FITTING, TEE SAE37	1
6	129609	BRAKE LINE ASSEMBLY, B3-4 LH	1
7	129610	BRAKE LINE ASSEMBLY, B3-4 RH	1
8	199676	BRAKE LINE ASSEMBLY, B3-5 CTR	1
9	162290	CLAMP, CABLE 1/4 SST	6
10	167017	PEDAL ASSEMBLY, B3-3 BRAKE (SEE PAGE 1-7)	1

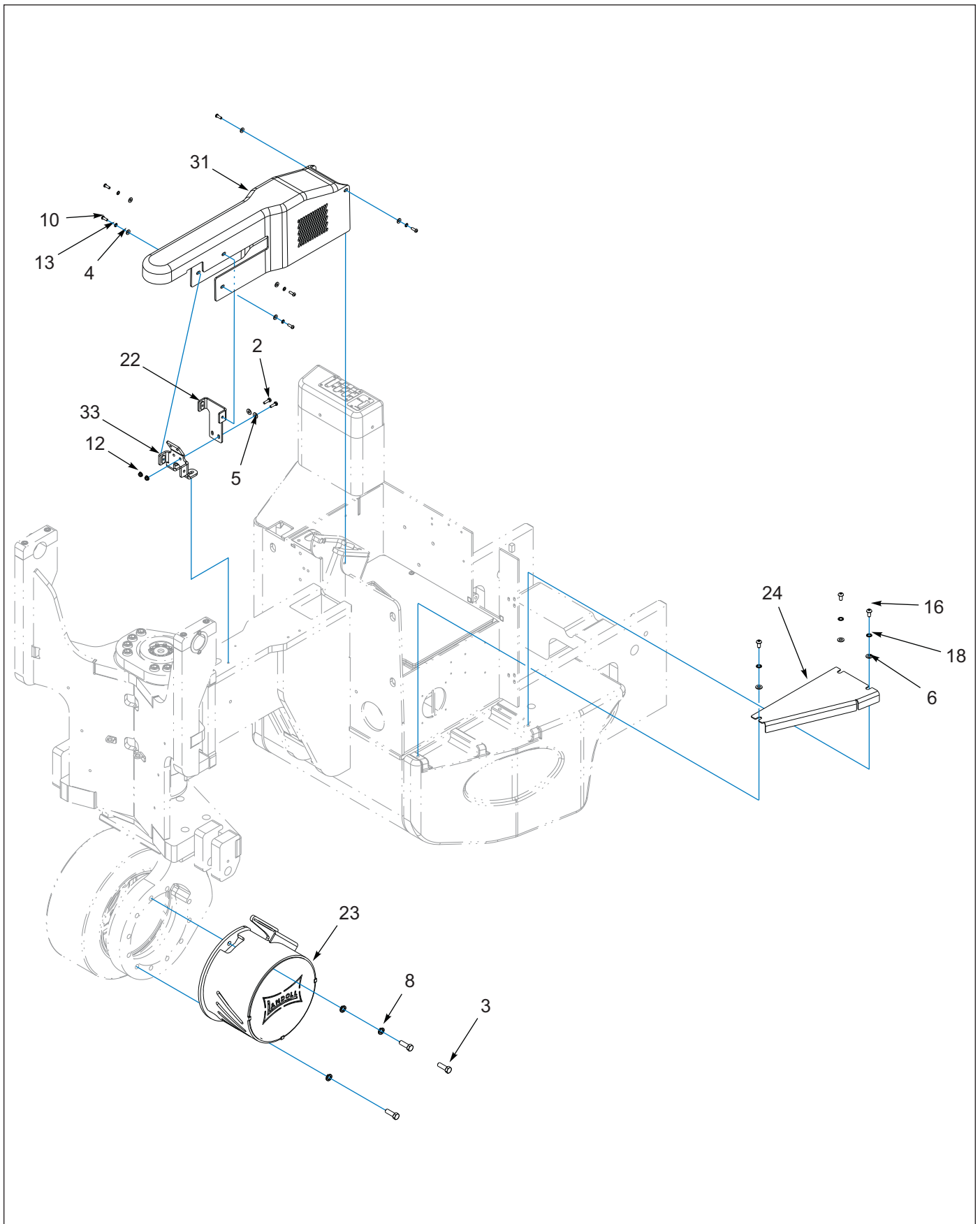


Figure 2-5: Covers Installation (2 of 3)



## Controller - Pump (After 06/18/2019)

ITEM	PART NUMBER	DESCRIPTION	QTY.
1	1-654-010165-03	SCREW, HHC M4 X 0 7 X 12, GR5	2
2	1-654-010166-04	SCREW, M8-1 25 X 20 HCS 8.8, ZP	5
3	1-861-010032-07	WASHER,FLAT 1/4 ZP	3
4	101375	SCREW HEX,SKT 1/4-20X5/8	1
5	107-0984	SCREW,SET 3/8-16UNCX.75KNRLCPT	1
6	108417	NUT SPIRAL 1/4-20HX FG	1
7	143547	MOUNT,SW CONTACTOR B3-2	1
8	146072	SCREW, HEX/SKT, 1/4-20X1-1/4	1
9	146613	WASHER, 5/16-M8, PLAIN DS	5
10	146632	STANDOFF, FUSE INSULATOR	1
11	149439	WASHER,FLAT M4 STD ZP	2
12	149441	WASHER, LOCKING HLCL SPR M4, ZP	2
13	152144	CONTACTOR,SW60 48V DC ENCLSD	1
14	161963	CONTACTOR,SW200 24V DUST SHLD	1
15	182627	FUSE, 700A ANN	1
16	18EM1019ER	WASHER FL HS M10 PLATED	2
17	197217	CONTROLLER, 36-48V 600A 1236SE	1
18	1CM612ER	SCREW HX HD M6X12MM CL8.8 ZP	2
19	1CM630ER	SCREW, HEX HEAD, M6 X 1.0-30, CL 8.8	4
20	40-0933	INSULATOR, POWER FUSE	1
21	6EM60ER	WASHER, LOCK SPRING M6, ZP	6

## Pump Motor Assembly

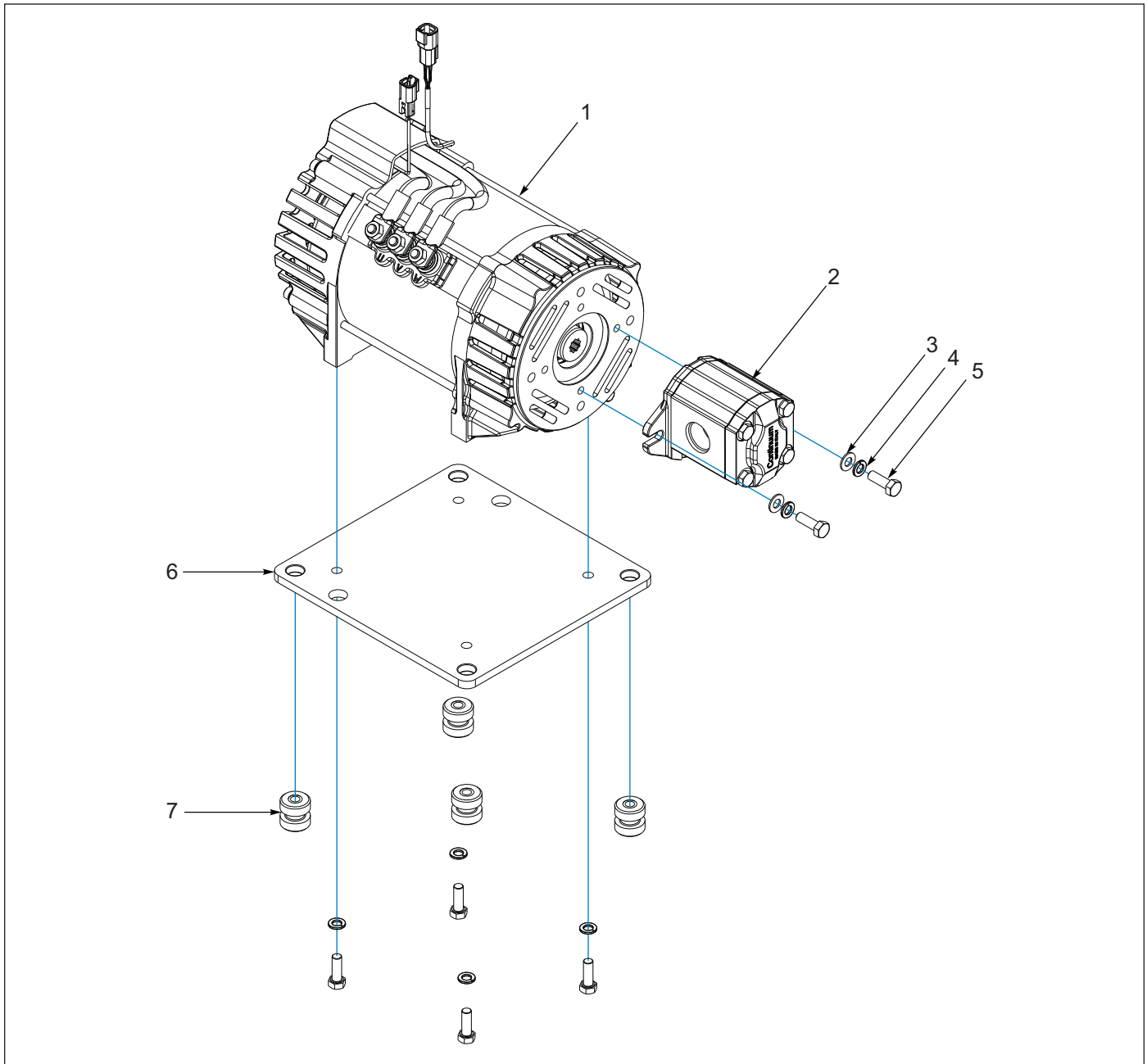


Figure 4-12: Pump Motor Assembly

## Pump Motor Assembly

ITEM	PART NUMBER	DESCRIPTION	QTY.
	201923	PUMP/MOTOR ASSEMBLY 20KW/25CC (SEE PAGE 5-9)	--
1	163960	MOTOR, SCH 20KW AC LIFT PUMP (SEE PAGE 1-54)	1
2	171510	PUMP, 25CC, SAE A, 9 TOOTH, ROTARY	1
3	1-861-010032-10	WASHER, FLAT 3/8 N, ZP/CD	2
4	6EM100ER	LOCKWASHER, M10, ZP	6
5	7CM1030ER	SCREW, M10-1.5 X 30 HCS 10.9, ZP	6
6	165738	PLATE, PUMP MOTOR MOUNT SL	1
7	154016	MOUNT, BT/AC HYDRAULIC MOTOR ANTI-VIB	

---

## Wiring Diagram

---

ITEM	PART NUMBER	DESCRIPTION	QTY.
47	219689	LIGHT,12-48V,W/SW,DOME (SEE PAGE 4-17)	REF
48	217718	HARNESS,BT-6 SGL HT LIFT LIMIT	REF
49	219672	SWITCH,30MM LVR, COMPACT LIMIT (SEE PAGE 10-4)	REF
50	211830	ADAPTER, B3-5 CE STR CLMN HRNS	REF
51	175484	HARNESS ASM SLAC RR WORK LIGHT (NOT SHOWN)	REF

---

CLICK HERE TO **DOWNLOAD** THE COMPLETE MANUAL

- Thank you very much for reading the preview of the manual.
- You can download the complete manual from: [www.heydownloads.com](http://www.heydownloads.com) by clicking the link below



- Please note: If there is no response to CLICKING the link, please download this PDF first and then click on it.

CLICK HERE TO **DOWNLOAD** THE COMPLETE MANUAL



---

## Valve Installation

ITEM	PART NUMBER	DESCRIPTION	QTY.
1	154004	VALVE, 3SPL HUSCO AX30454-180	1
2	106429	SCREW,HX SKTCTSK3/8-16X1-1/4	3
3	107470	NUT, SPIRALOCK 3/8-16HX	3
4	152120	ADAPTER, #10ORB X #10ORS ST	1
5	127621	ADAPTER,#4 ORS X #8 ORB CONN	1
6	127165	ADAPTER 6-8 ORS/ORB, 45	1
7	154541	ADAPTER, #8ORS X #10ORB,45ELB	4
8	154542	ADAPTER,#10ORS X #10ORB,45ELB	1
9	0018119	ADAPTER,#12ORS X #10ORB, 90ELB	1



## Overhead Guard Installation

ITEM	PART NUMBER	DESCRIPTION	QTY.
1	0010931	LATCH, COVER HOLD-UP	1
2	0011269	MIRROR REAR VIEW	1
3	1-512-010003-05	NUT, HEX SLFLKG W/NYL 10-32	2
4	1-861-010032-04	WASHER, FLAT 3/16, ZP	2
5	1-861-010032-06	WASHER, FLAT 1/4 N, ZP/CD	3
6	10-32X1	SCREW, MACH HEX SLOT HEAD STL	2
7	101909	SHIM, BT SERIES III OHG	1
8	106534	NUT, HEX FLG 5/8-11, GR8, ZP	4
9	106954	SCREW, BHSC 1/4 - 20 UNC X 5/8	4
10	106955	SCREW, BHSC 1/4 - 20 UNC X 3/4	3
11	107920	LATCH RELEASE KNOB	1
12	108151	SCREW, 5/8 - 11UNC X 1-1/2 FLG HD	4
13	108417	NUT SPIRAL 1/4 - 20 HEX FG	3
14	108797	WASHER, 1/4 LKG INT TOOTH	4
15	110470	SURFACE RACEWAY	1
16	111360	SCREW, BHSC 5/8-11UNC X 3	4
17	118710	BASE WLDMT, B40-4 OHG	1
18	183201	NUT, T-SLOT, 5/8-11 X 3/4	2
19	202922	CLAMP, PART CUSH ALUM, 1/2	1
20	206515	PLATE, BT-6 OHG WIRING COVER	1
21	206520	OHG WELDMENT, B 30/40 - 6	1





## Lift Limit Switch

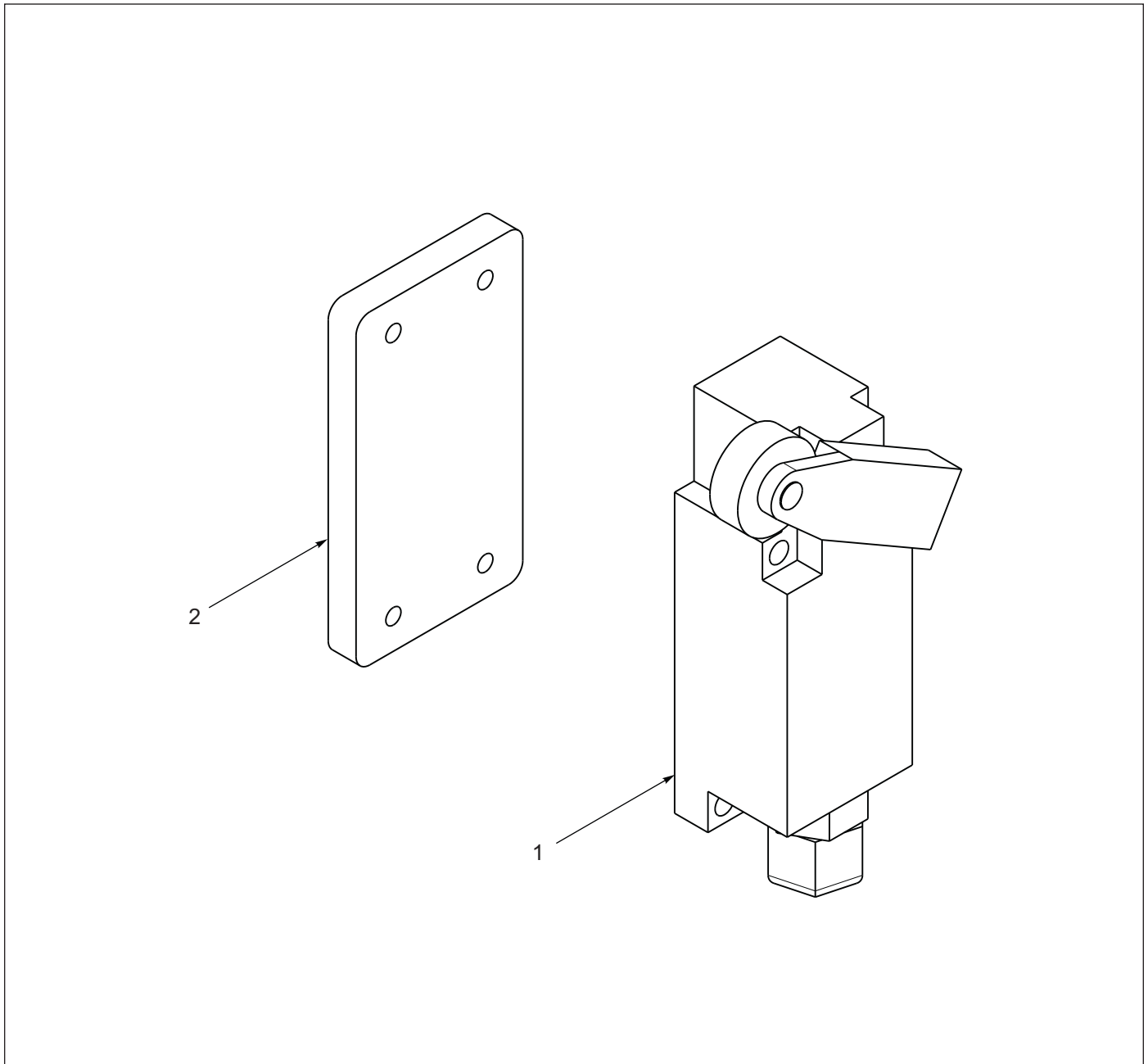


Figure 10-3: Lift Limit Switch

## Lift Limit Switch

ITEM	PART NUMBER	DESCRIPTION	QTY.
	219676	KIT,B3-5 SGL HT LIFT LIMIT	1
1	219672	SWITCH,30MM LVR, COMPACT LIMIT	1
2	219675	PLATE,219672 MOUNT	1
3	189871	SPACER,LIFT INT RAMP MOUNT	1
4	217718	HARNESS,BT-6 SGL HT LIFT LIMIT (SEE PAGE 4-25)	1
5	189870	PLATE,LIFT INT SWITCH CAM	1
6	85G808E	SCREW,PAN.HD., 8-32 X 1/2	4
7	110470	SURFACE RACEWAY	REF

---

**R**

**RH** ..... Righthand  
**RND** ..... Round

---

**S**

**SER** ..... Series  
**SHCS** ..... Socket Head Cap Screw  
**SHLD** ..... Shield  
**SKT** ..... Socket  
**SLFLKG** ..... Selflocking  
**SOC** ..... Socket  
**SPDT** ..... Single Pole Double Throw  
**SPR** ..... Spring

**SQ** ..... Square  
**SRTD** ..... Serrated  
**SSCR** ..... Setscrew  
**SST** ..... Stainless Steel  
**STD** ..... Standard

---

**U**

**UPR** ..... Upper

---

**W**

**WHL** ..... Wheel  
**WLD OR WLDMT** ..... Weldment

CLICK HERE TO **DOWNLOAD** THE COMPLETE MANUAL

- Thank you very much for reading the preview of the manual.
- You can download the complete manual from: [www.heydownloads.com](http://www.heydownloads.com) by clicking the link below



- Please note: If there is no response to CLICKING the link, please download this PDF first and then click on it.

CLICK HERE TO **DOWNLOAD** THE COMPLETE MANUAL