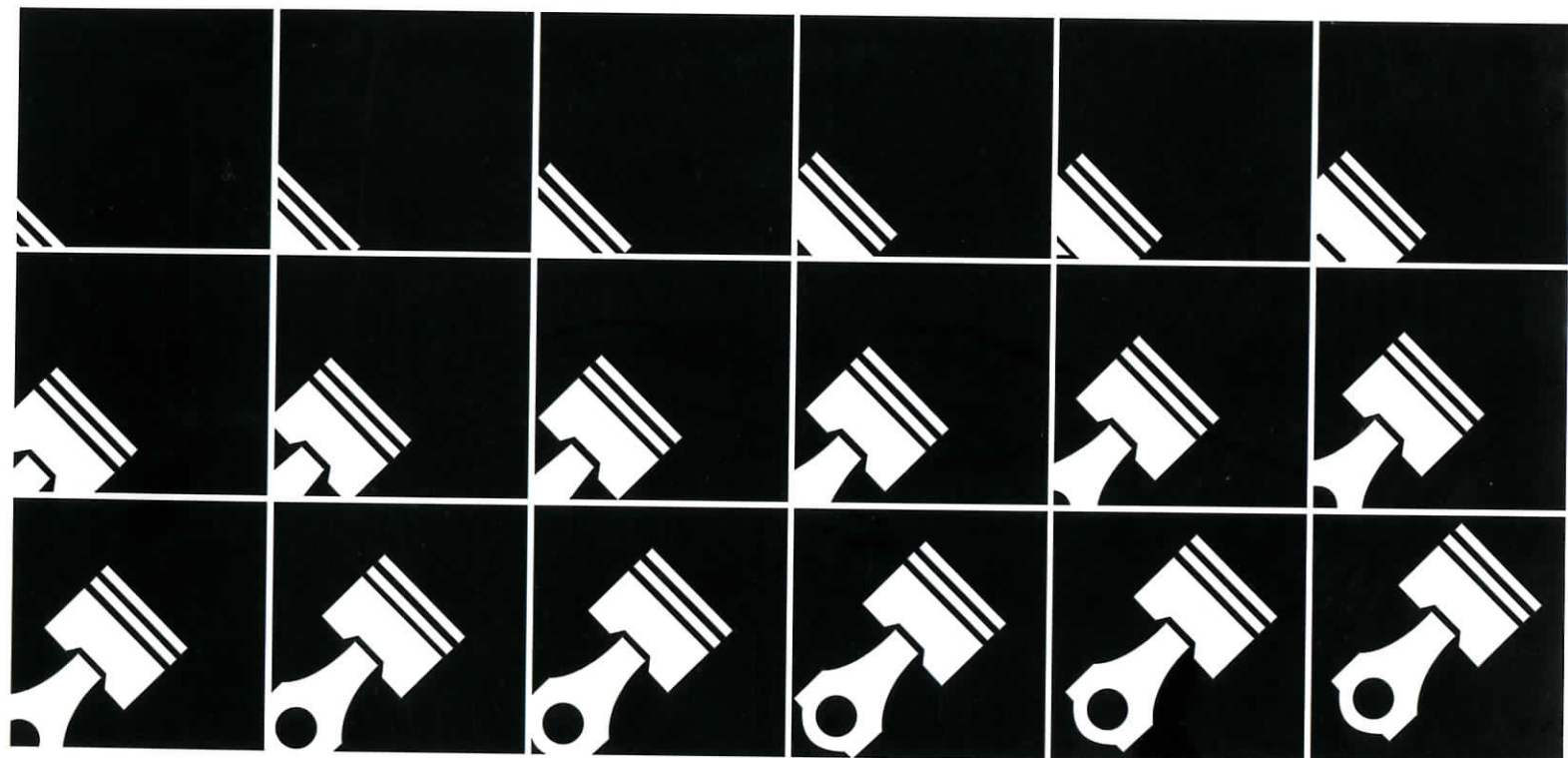




零件目录

4G64 ZL.ZG '06



OCT., '06

CLICK HERE TO **DOWNLOAD** THE COMPLETE MANUAL

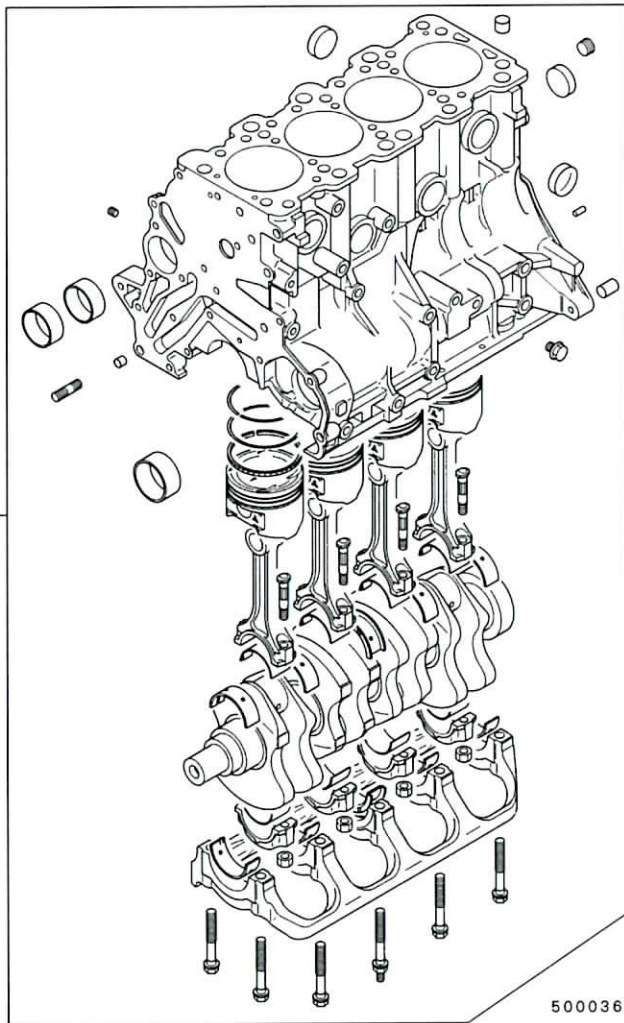
- Thank you very much for reading the preview of the manual.
- You can download the complete manual from: www.heydownloads.com by clicking the link below



- Please note: If there is no response to CLICKING the link, please download this PDF first and then click on it.

CLICK HERE TO **DOWNLOAD** THE COMPLETE MANUAL

11-020 SHORT ENGINE SAAY
短发动机组件



P N C	MODEL APPLICABLE		P A R T N O. (REPL P/NO.)	Q T Y	R E M A R K S
	FROM-UP-TO	TYPE			
01010A			ENGINE ASSY,SHORT 短发动机组件		
0603.1-		ALL		MD316045	1 0101014G64

01010A

500036

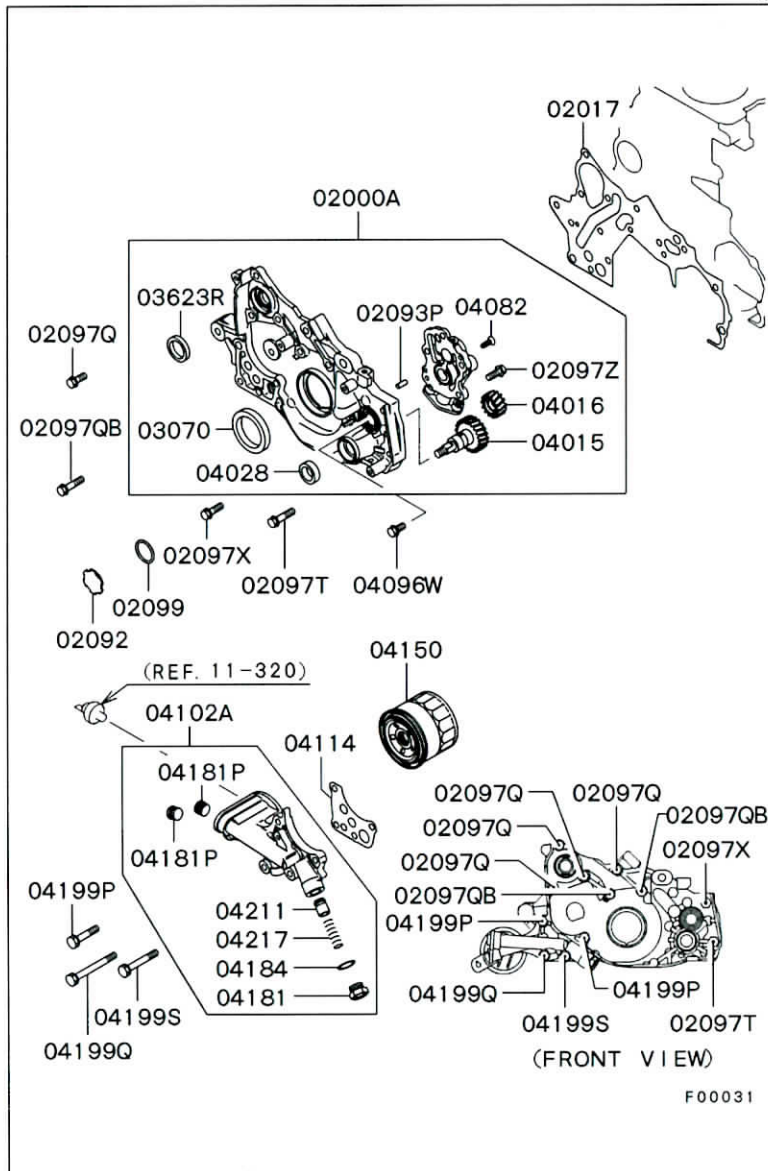
11-140 COVER,REAR PLATE & OIL PAN

后板大油盘盖

P N C		MODEL APPLICABLE		RE P	PART NO. (REPL/P.NO.)	QTY	REMARKS	P N C		MODEL APPLICABLE		RE P	PART NO. (REPL/P.NO.)	QTY	REMARKS
FROM-UP-TO	TYPE	DESCRIPTION	FROM-UP-TO					TYPE	DESCRIPTION						
01500		OIL PAN,ENG 发动机油盘						02105		COVER,FLYWHEEL HOUSING,FR LWR 钟状罩盖					
0603.1-	ALL				MD340262	1	10101	0603.1-	ALL				MR577270	1	10101
01512		PLUG,ENG OIL PAN... 发动机油盘放油塞规						02178Q		WASHER,FLYWHEEL HOUSING 后壳垫					
0603.1-	ALL				MD050316	1	10101	0603.1-	ALL				MD000436	2	020101PLAIN,10
01521		GASKET,ENG OIL PAN DRAIN PLUG 发动机油盘放油塞衬垫						02192Q		BOLT,FLYWHEEL HOUSING 后壳螺栓					
0603.1-	ALL				MD050317	7	1010114	0603.1-	ALL				MF140201	4	040101FLANGE,6X8
01597		BOLT,ENG OIL PAN 发动机油盘螺栓						02192S		BOLT,FLYWHEEL HOUSING 后壳螺栓					
0603.1-	ALL				MD097012	17	170101FLANGE,6X10	0603.1-	ALL				MD330698	2	020101FLANGE,10X25
01597P		BOLT,ENG OIL PAN 发动机油盘螺栓						02192U		BOLT,FLYWHEEL HOUSING 后壳螺栓					
0603.1-	ALL				MF140201	2	020101FLANGE,6X8	0603.1-	ALL				MU000434	2	020102WASHER ASSEMBLE10x35
02007P		COVER,TIMING BELT 同步带盖						02994PC		BOLT,TIMING BELT COVER 同步盖螺栓					
0603.1-	ALL				MD158591	1	10101	0603.1-	ALL				MF140209	2	020101FLANGE,6X25
02007Q		COVER,TIMING BELT 同步带盖						02994PH		BOLT,TIMING BELT COVER 同步盖螺栓					
0603.1-	ALL				MD193993	1	10101	0603.1-	ALL				MF140213	1	010101FLANGE,6X35
02011		COVER,TIMING BELT ACCESS 同步带入口盖						02994PH		BOLT,TIMING BELT COVER 同步盖螺栓					
0603.1-	ALL				MD006668	2	20101	0603.1-	ALL				MF247868	1	010102WASHER ASSEMBLE6x25
02012		COVER,TIMING BELT UNDER 同步带底盖						02994PJ		BOLT,TIMING BELT COVER 同步盖螺栓					
0603.1-	ALL				MD189740	1	10101	0603.1-	ALL				MF140214	1	010101FLANGE,6X38
02018		INDICATOR,IGNITION TIMING 正时下装置						02994Q		BOLT,TIMING BELT COVER 同步盖螺栓					
0603.1-	4G64 31ZG				MD322823	1	10101	0603.1-	ALL				MF140206	1	090101FLANGE,6X18
02100		INDICATOR,IGNITION TIMING 发动机后壳						02994T		BOLT,TIMING BELT COVER 同步盖螺栓					
0603.1-	ALL				MD317115	1	10101	0603.1-	ALL				MF140021	1	010101FLANGE,8X12

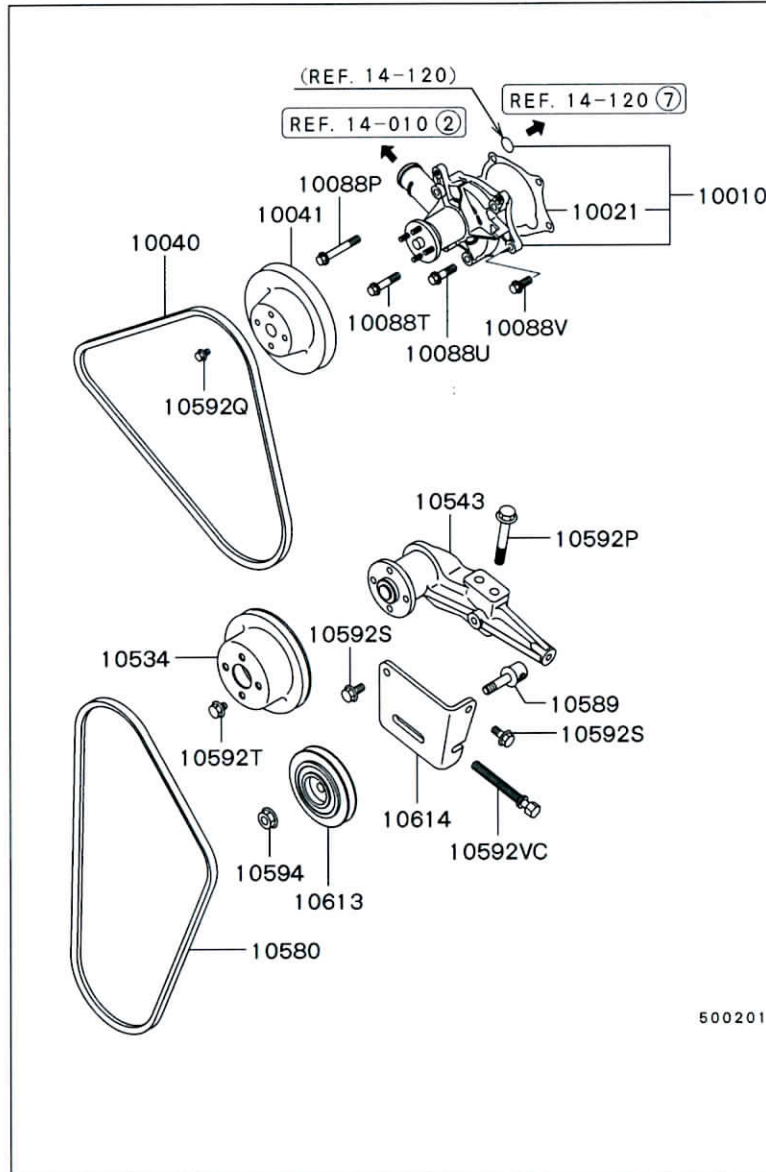
12-110 OLL PUMP & OIL FILTER

油泵与过滤器



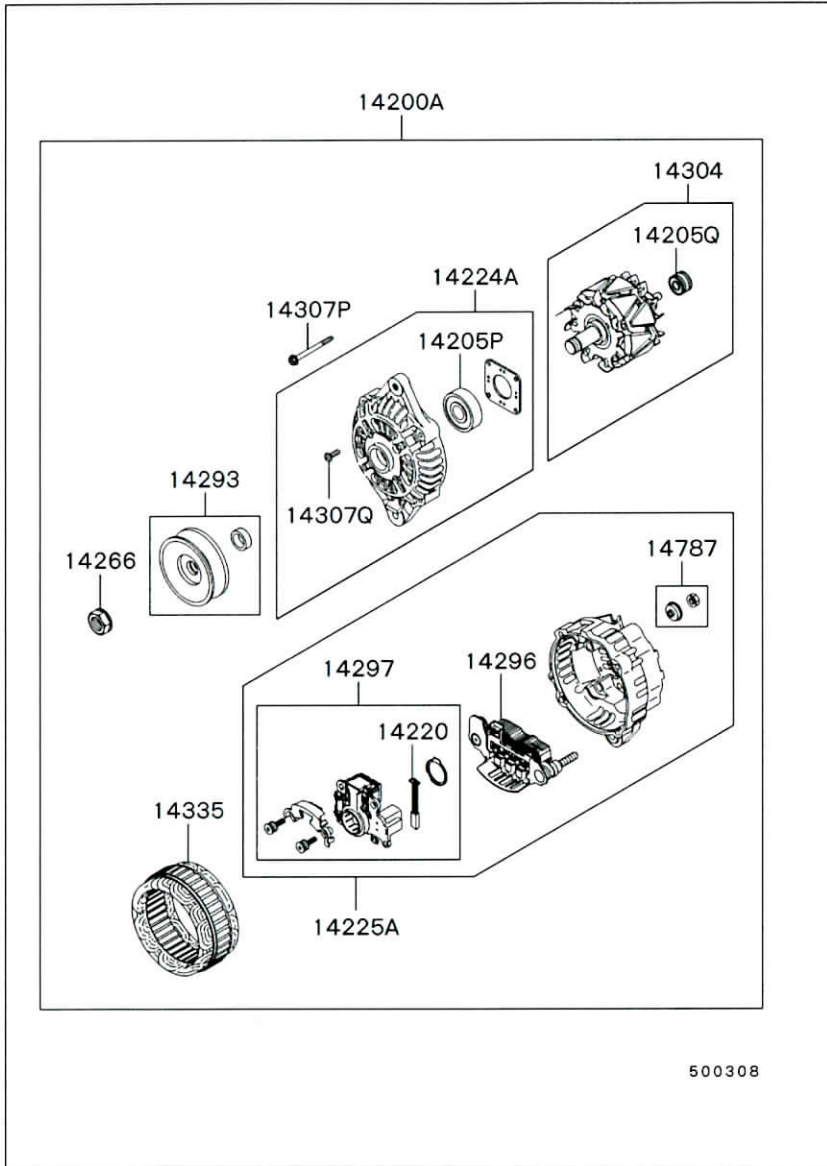
P N C	MODEL APPLICABLE		REPL	PART NO. (REPL P/NO.)	QTY	REMARKS
	FROM-UP-TO	TYPE				
02000A						CASE ASSY,CYLINDER BLOCK,FR 机油泵组件
0603.1-				MD194005	1	10102
02017						GASKET,ENG FR CASE 机油泵衬垫
0603.1-				1064A040	1	10101
02092						PLUG,ENG FR CASE 机油泵箱塞
0603.1-				MD125376	1	10101
02093P						PIN,ENG FR CASE 机油泵箱销
0603.1-				MF472403	2	020101DOWEL,6X14
02097Q						BOLT,ENG FR CASE 机油泵螺栓
0603.1-				MF140225	4	040101FLANGE,8X20
02097QB						BOLT,ENG FR CASE 机油泵螺栓
0603.1-				MF241254	2	020102WASHER ASSEMBLY,8X22
02097T						BOLT,ENG FR CASE 机油泵螺栓
0603.1-				MF140230	1	010101FLANGE,8X32
02097X						BOLT,ENG FR CASE 机油泵螺栓
0603.1-				MF140227	1	010101FLANGE,8X25
02097Z						BOLT,ENG FR CASE 机油泵螺栓
0603.1-				MF140025	4	040101FLANGE,8X20
02099						O-RING,ENG FR CASE O型环
0603.1-				MD041021	1	010101D=26.2
03070						OIL SEAL,CRANKSHAFT,FR 曲轴前油封
0603.1-				Y MD168061	1	10202

14-110 WATER PUMP
水泵

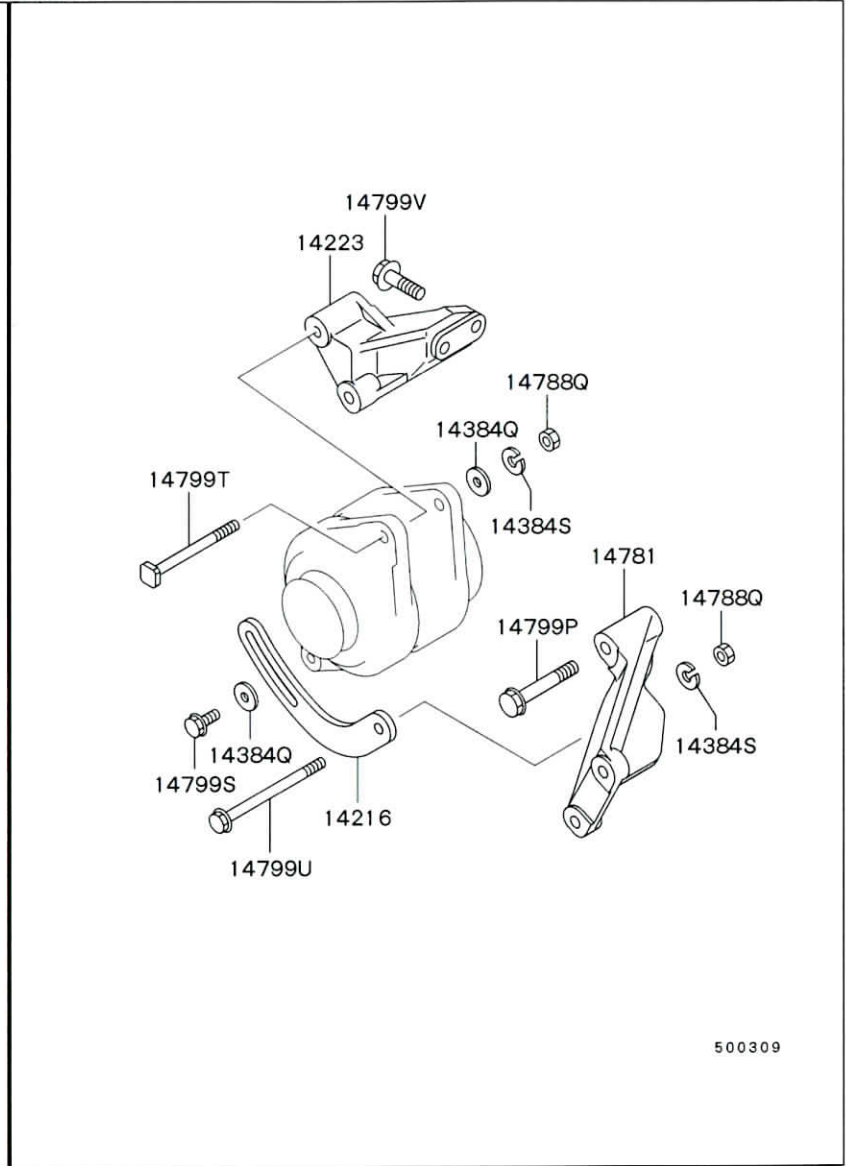


P N C	MODEL APPLICABLE		R E P	P A R T N O. (R E P L P / N O.)	Q T Y	R E M A R K S
	FROM-UP-TO	TYPE				
10010						WATER PUMP KIT 水泵组件
0603.1-				MD972457	1	10101
10021						GASKET,WATER PUMP 水泵衬垫
0603.1-				MD169859	1	10101
10040						BELT,ALTERNATOR & OTHERS 水泵皮带
0603.1-				MD060903	1	101011005
10041						PULLEY,WATER PUMP 水泵滑轮
0603.1-				MD087658	1	010101V-DITCH;(1)
10088P						BOLT,WATER PUMP 螺栓
0603.1-				MF140036	1	010101FLANGE,8X55
10088T						BOLT,WATER PUMP 螺栓
0603.1-				MF140033	1	010101FLANGE,8X40
10088U						BOLT,WATER PUMP 螺栓
0603.1-				MF140029	2	020101FLANGE,8X30
10088V						BOLT,WATER PUMP 螺栓
0603.1-				MF140025	1	010101FLANGE,8X20
10534						PULLEY,COOLING FAN 滑轮
0603.1-				MD313187	1	010101V-DITCH;(1)
10543						SUPPORT,COOLING FAN DRIVE 支架
0603.1-				MD369801	1	10101
10580						BELT,COOLING FAN 发电机皮带
0603.1-				MD368293	1	101011100

16-110 ALTERNATOR
交流发电机



500308



500309

CLICK HERE TO **DOWNLOAD** THE COMPLETE MANUAL

- Thank you very much for reading the preview of the manual.
- You can download the complete manual from: www.heydownloads.com by clicking the link below



- Please note: If there is no response to CLICKING the link, please download this PDF first and then click on it.

CLICK HERE TO **DOWNLOAD** THE COMPLETE MANUAL