

# Spare Parts Catalogue

# Legend

USA



MODEL NO.: 00300728

CLICK HERE TO **DOWNLOAD** THE COMPLETE MANUAL

- Thank you very much for reading the preview of the manual.
- You can download the complete manual from: [www.heydownloads.com](http://www.heydownloads.com) by clicking the link below



- Please note: If there is no response to CLICKING the link, please download this PDF first and then click on it.

CLICK HERE TO **DOWNLOAD** THE COMPLETE MANUAL

PLATE NO. : 37  
FRONT HUB ASSLY. /  
FRONT SHOCK ABSORBER

PAGE NO.:  
37

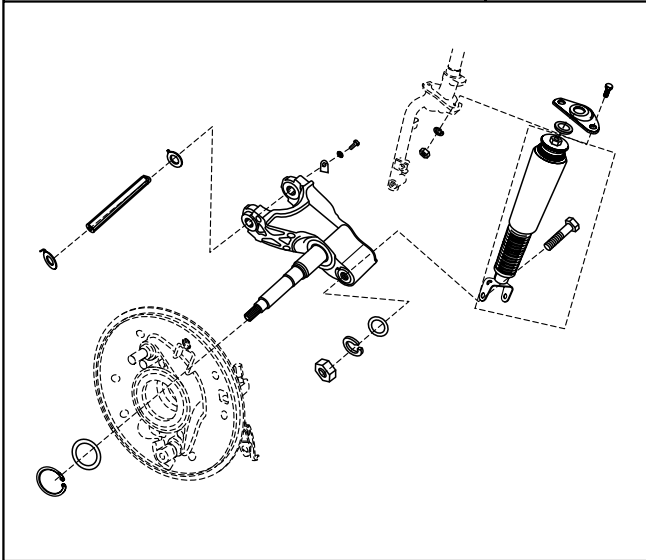


PLATE NO. : 39  
REAR SHOCK ABSORBER

PAGE NO.:  
39

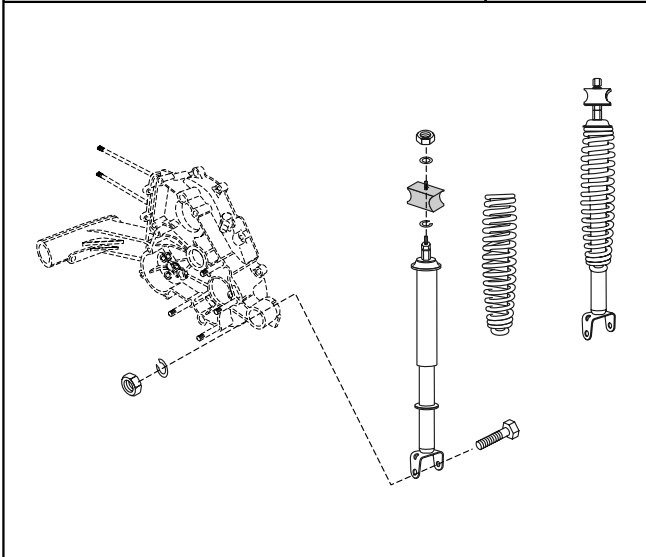


PLATE NO. : 41  
HANDLE BAR / COVERS

PAGE NO.:  
41

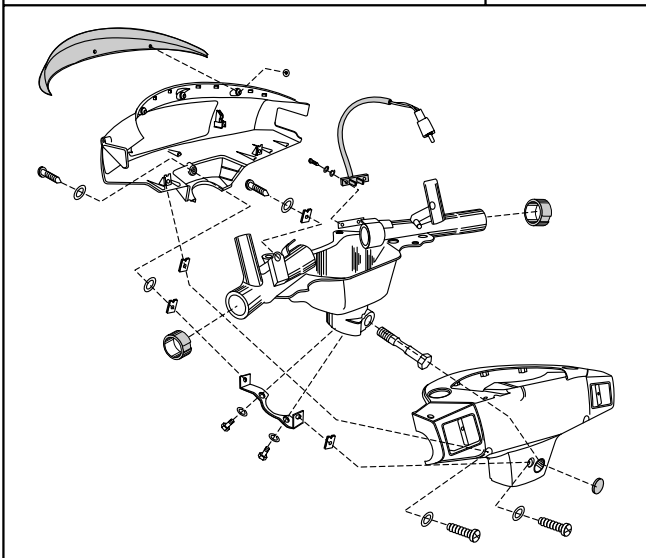


PLATE NO. : 38  
ANTIDIVE LINK ASSLY.

PAGE NO.:  
38

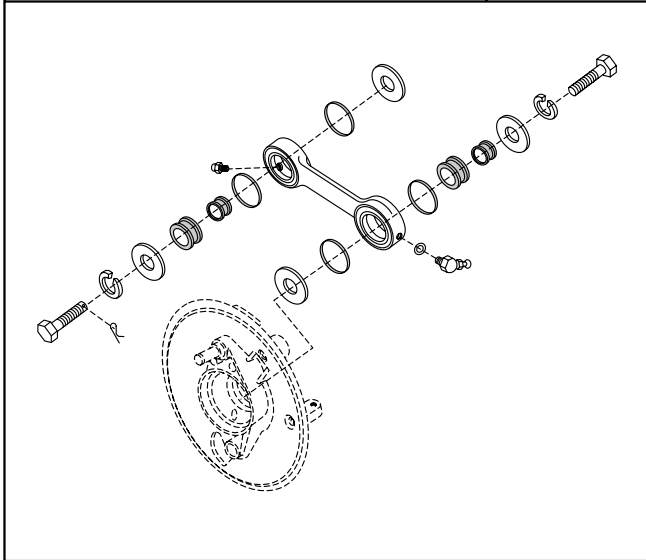


PLATE NO. : 40  
STEERING COLUMN ASSLY.

PAGE NO.:  
40

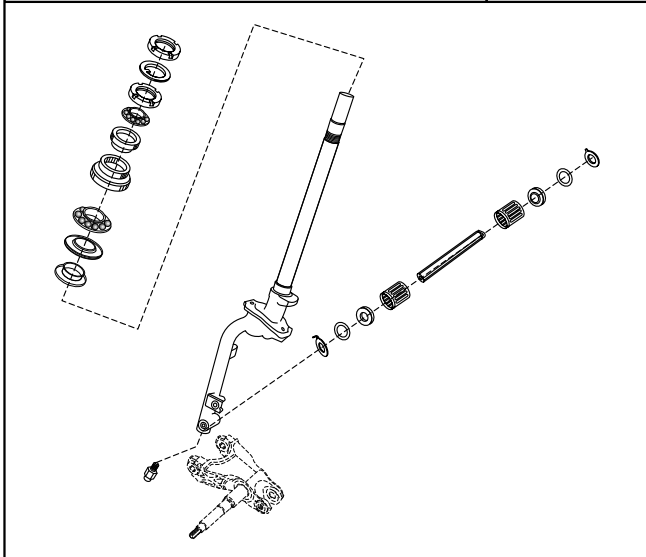
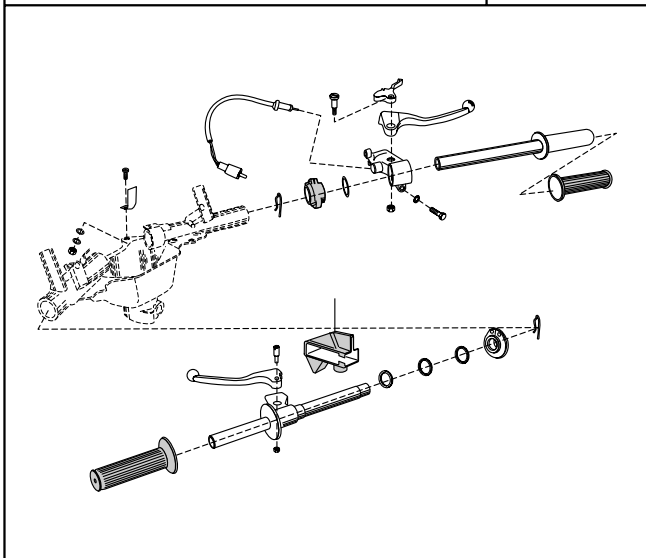


PLATE NO. : 42  
HANDLE BAR CONTROLS

PAGE NO.:  
42



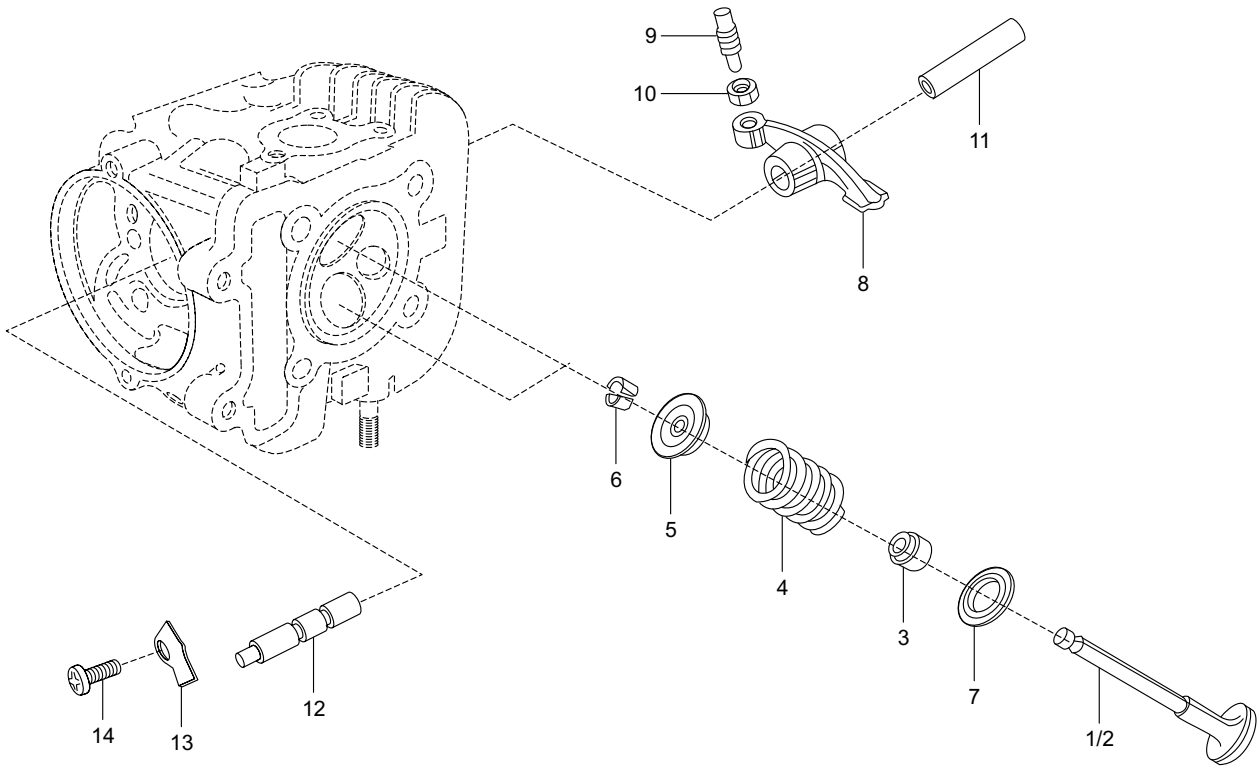


FIG. NO.	PART NO.	DESCRIPTION	QTY. PER VEH.	REMARKS
1	28101242	VALVE-INTAKE	1	
2	28101243	VALVE-EXHAUST	1	
3	39103519	SEAL OIL	2	
4	DD101211	SPRING ENGINE VALVE	2	
5	31101018	RETAINER VALVE SPRG	2	
6	31101019	COLLET	4	
7	28101129	SEAT SPRING	2	
8	28101032	ARM ROCKER	2	
9	39102401	SCREW	2	
10	39097315	HEXAGON NUT-M5X0.5	2	
11	28101013	ROCKER ARM SHAFT (IN)	1	
12	13101024	ROCKER ARM SHAFT	1	
13	28101057	STOPPER	1	
14	39074601	SCREW PAN CROSS-M6	1	

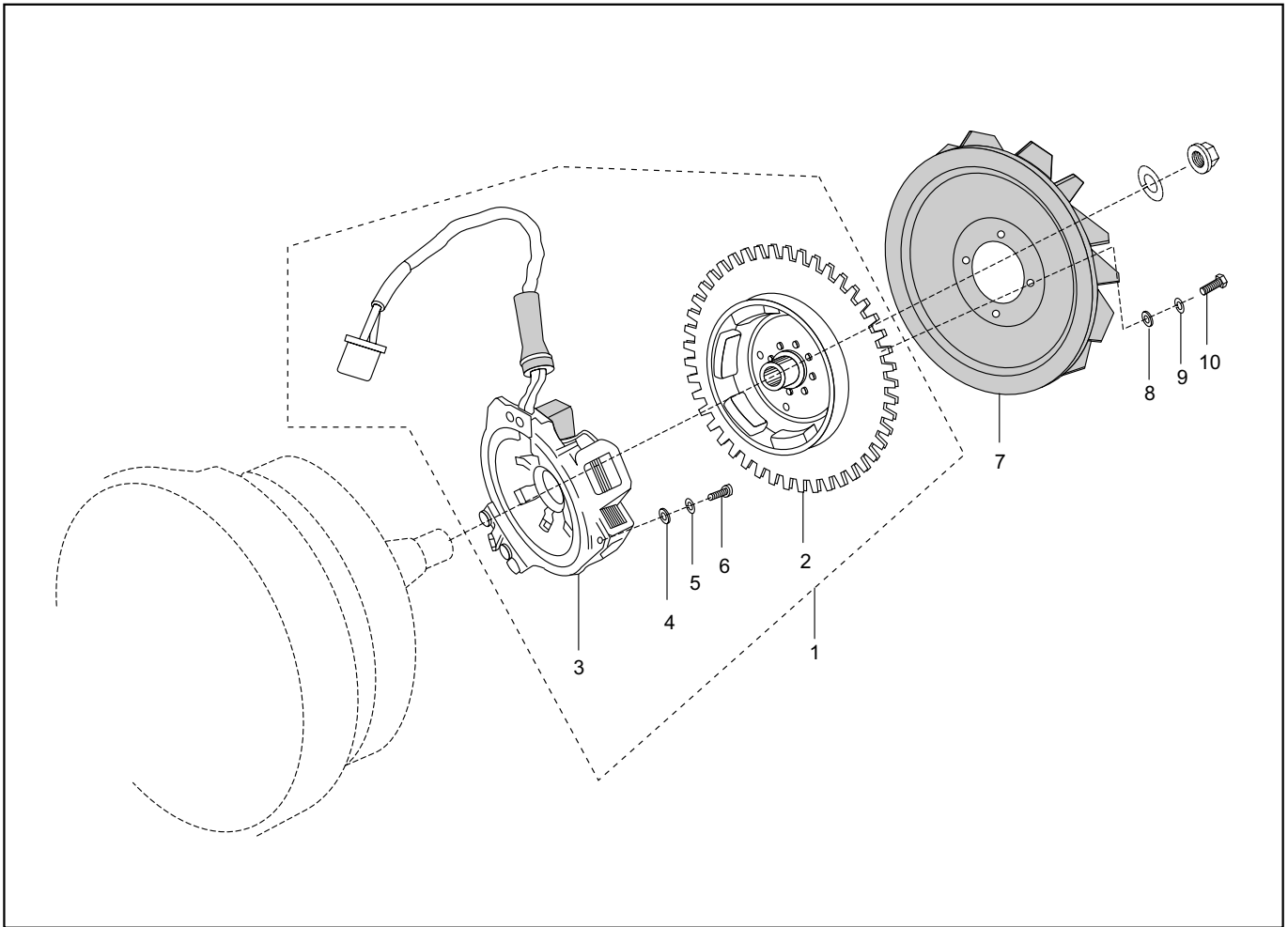


FIG. NO.	PART NO.	DESCRIPTION	QTY. PER VEH.	REMARKS
1	28111065	MAGNETO ASSEMBLY	1	DC SYSTEM FOR USA
2	CH111005	R0TOR ASSEMBLY	1	
3	28111066	STATOR ASSEMBLY COMPL.	1	
4	39019711	PLAIN WASHER	3	
5	39026212	SPRING WASHER	3	
6	39075701	SCREW PAN CROSS-M5	3	
7	28111020	FAN	1	
8	39019811	PLAIN WASHER	4	
9	39026312	SPRING WASHER	4	
10	22150451	SCREW	4	

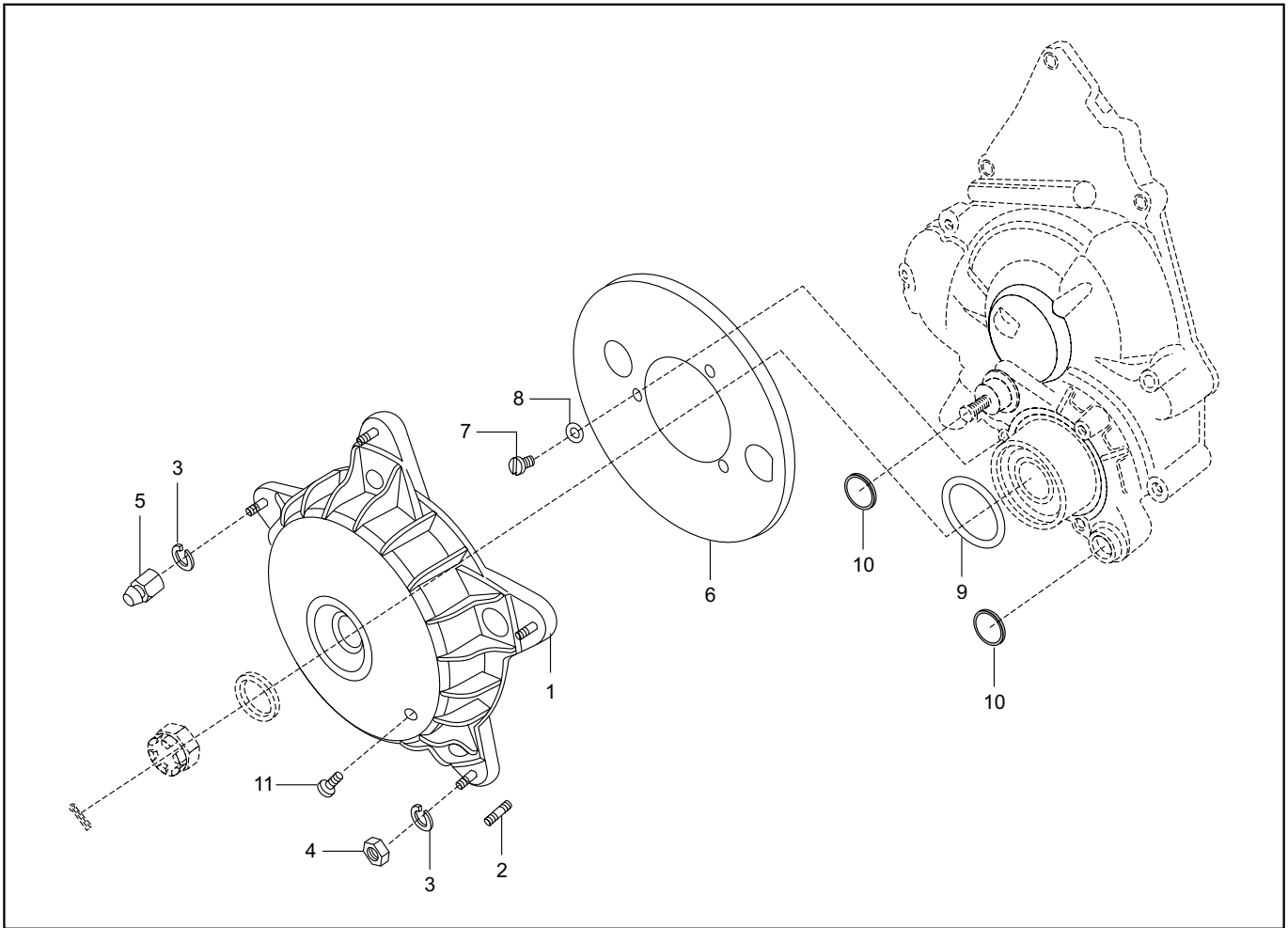


FIG. NO.	PART NO.	DESCRIPTION	QTY. PER VEH.	REMARKS
1	28151028	REAR BRAKE DRUM ASSEMBLY	1	
2	06150112	STUD	5	
3	39026512	SPRING WASHER	5	
4	39069415	HEX LOCK NUT-M8X1.25	2	
5	06151023	SPECIAL NUT	3	
6	28151003	BACK PLATE	1	
7	39128601	SLOTTED CH HEAD SCREW	3	
8	39026312	SPRING WASHER	3	
9	03150224	GASKET	1	
10	03150225	"O" RING	2	
11	07150103	SPECIAL SCREW	1	PLUG FOR INSPECTION WINDOW

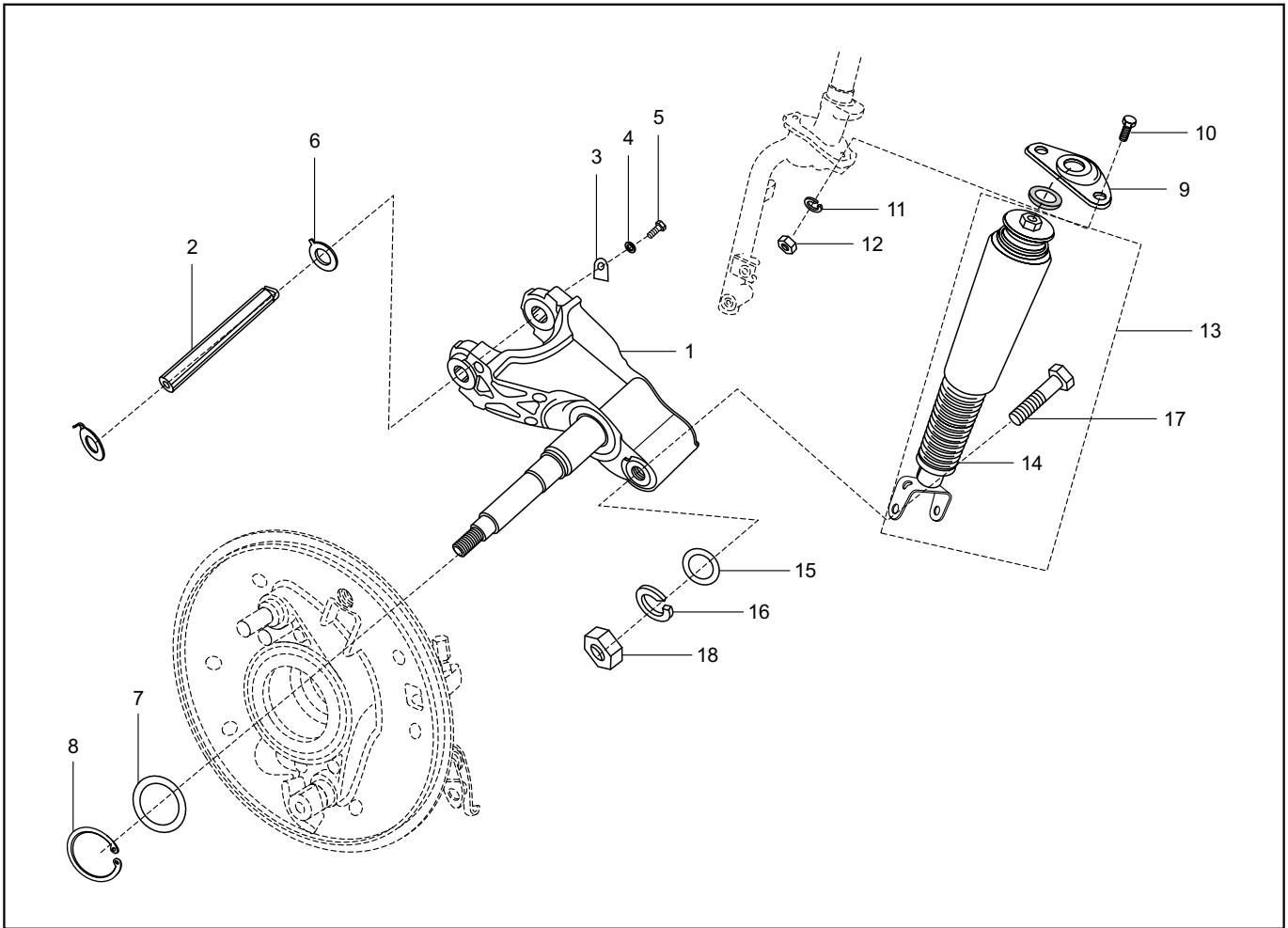


FIG. NO.	PART NO.	DESCRIPTION	QTY. PER VEH.	REMARKS
1	35171044	FRONT WHEEL HUB ASSEMBLY	1	
2	35171004	HUB PIN	1	
3	35171005	LOCK PLATE	1	
4	39026312	SPRING WASHER	1	
5	39006204	HEXAGON HD SCREW	1	
6	39145321	"O" RING	1	
7	39145411	PLAIN WASHER	1	
8	21100324	CIRCLIP	1	
9	35171014	SHOCK ABS MTG BKT	1	
10	39010004	BOLT HEXAGON HEAD	2	
11	39026512	SPRING WASHER	2	
12	39069415	HEX LOCK NUT-M8X1.25	2	
13	CD171001	FRONT SHOCK ABSORBER WITH SPRING	1	
	CD171005	FRONT SHOCK ABSORBER WITH SPRING	1	ALTERNATE
14	35171017	FR SUSPENSION SPRING	1	
15/16	15171060	BUSH ASSEMBLY	2	
17	39185004	HEX. BOLT WITH FLANGE	1	FOR MOUNTING FSA LOWER MOUNTING
18	39042215	NYLOC NUT M-10	1	

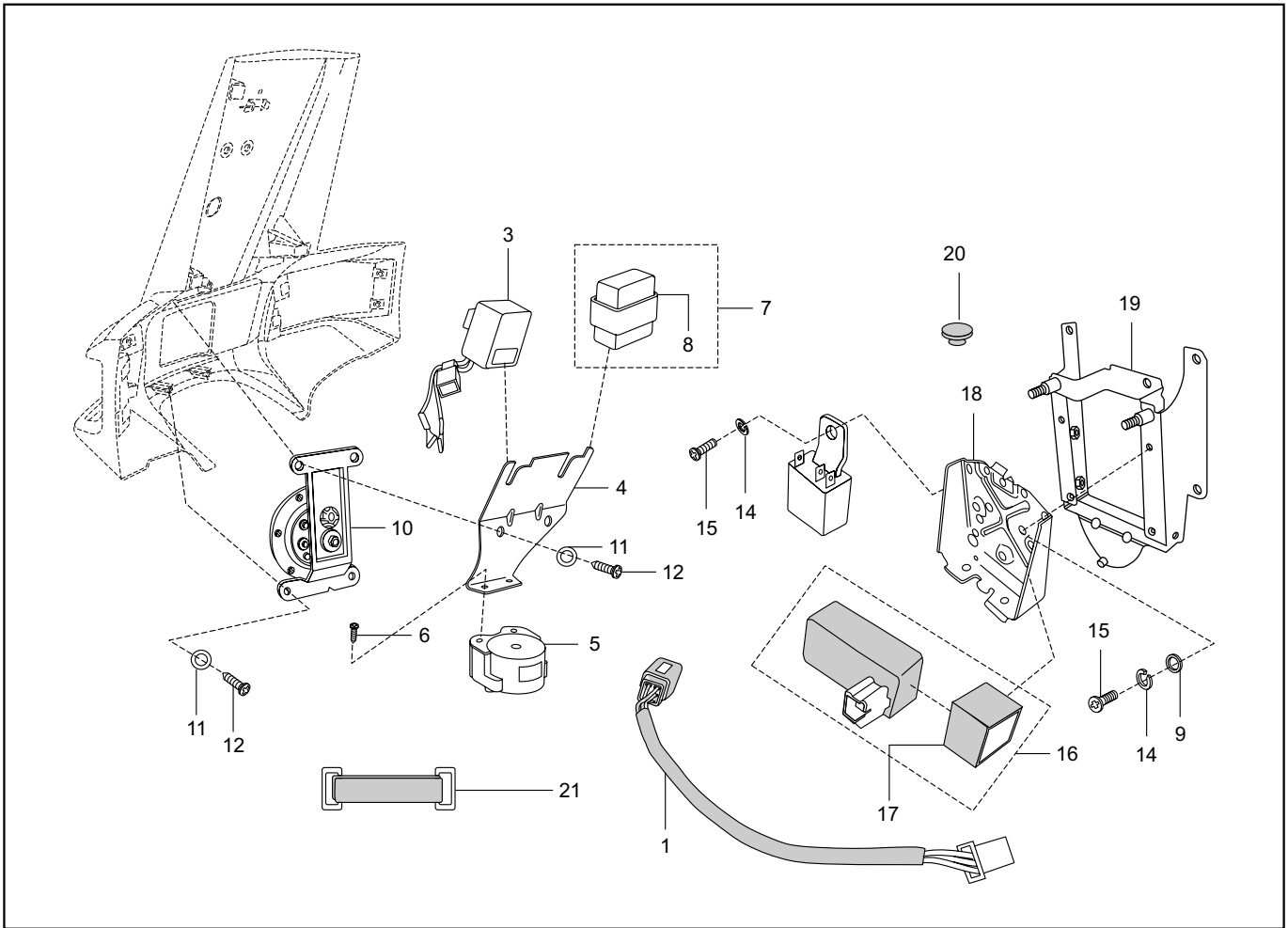


FIG. NO.	PART NO.	DESCRIPTION	QTY. PER VEH.	REMARKS
1	28201067	MAIN WIRING HARNESS	1	NOT ILLUSTRATED
2	28201056	CLAMP FOR HARNESS	2	
3	35201091	A.C. / D.C. UNIT	1	NOT APPLICABLE / FOR W/O EL.START
4	28161071	BEEPER -FLASHER BRACKET	1	
5	35201122	BEEPER -DC OPERATION	1	
6	39083902	SLOT PN HD TAP SCREW	2	
7	31201003	TURN SIGNAL RELAY ASSEMBLY	1	
8	29201032	HOLDER FOR RELAY	1	
9	39019811	PLAIN WASHER	4	
10	28201034	HORN 12 V D C	1	
11	35150511	PLAIN WASHER	4	
12	39183702	CRS R.PN HD TP SCREW	4	
14	39026312	SPRING WASHER	5	
15	39074501	SCREW PAN CROSS-M6	5	
16	28111058	C D I UNIT WITH DAMPER	1	ALTERNATE 28111072
17	22111054	DAMPER	1	
18	28 1610 25	BATTERY BRACKET	1	
19	28161127	SPARE WHEEL BRACKET	1	
20	06161295	RUBBER PLUG FOR BATTERY BRACKET	5	
21	28 2010 84	RUBBER STRAP FOR BATTERY	1	

CLICK HERE TO **DOWNLOAD** THE COMPLETE MANUAL

- Thank you very much for reading the preview of the manual.
- You can download the complete manual from: [www.heydownloads.com](http://www.heydownloads.com) by clicking the link below



- Please note: If there is no response to CLICKING the link, please download this PDF first and then click on it.

CLICK HERE TO **DOWNLOAD** THE COMPLETE MANUAL