

**CV 25 - CVH 25**

CLICK HERE TO **DOWNLOAD** THE COMPLETE MANUAL

- Thank you very much for reading the preview of the manual.
- You can download the complete manual from: [www.heydownloads.com](http://www.heydownloads.com) by clicking the link below



- Please note: If there is no response to CLICKING the link, please download this PDF first and then click on it.

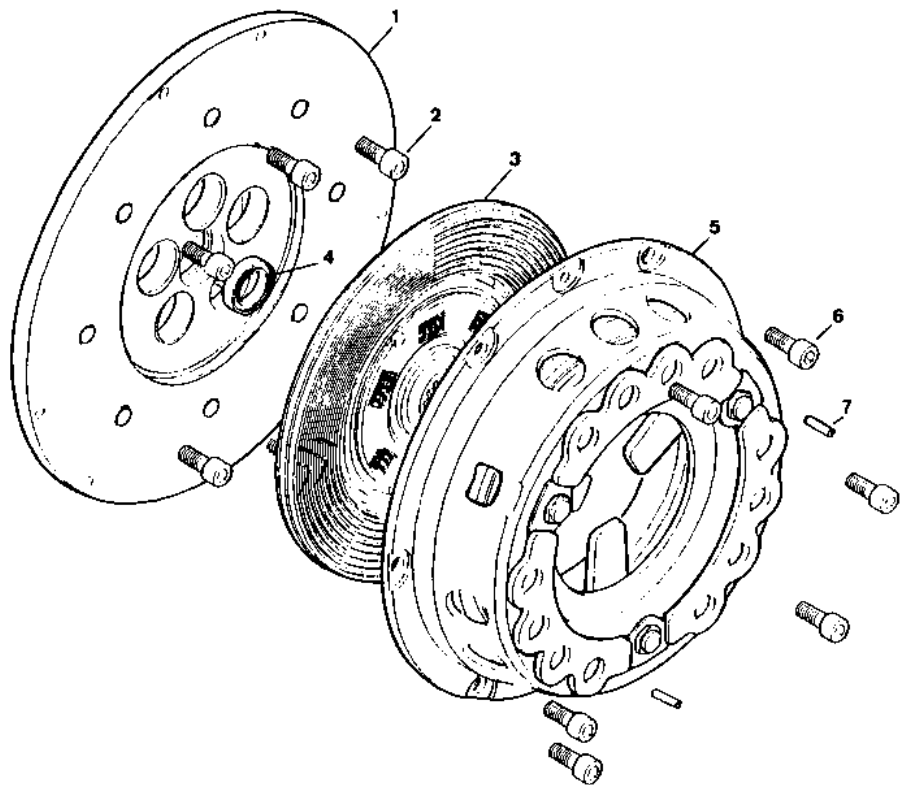
CLICK HERE TO **DOWNLOAD** THE COMPLETE MANUAL

## Motor Engine

Embrague  
Clutch

(CV25)

Fig. N° Fig. N°	Referencia Part N°	Cantidad Quantity	Fig. N° Fig. N°	Referencia Part N°	Cantidad Quantity
1	43.50901.00	1	5	43.50202.00	1
2	621.51625.86	8	6	621.09025.86	6
3	43.50201.00	1	7	402.07030.00	2
4	309.17012.00	1			



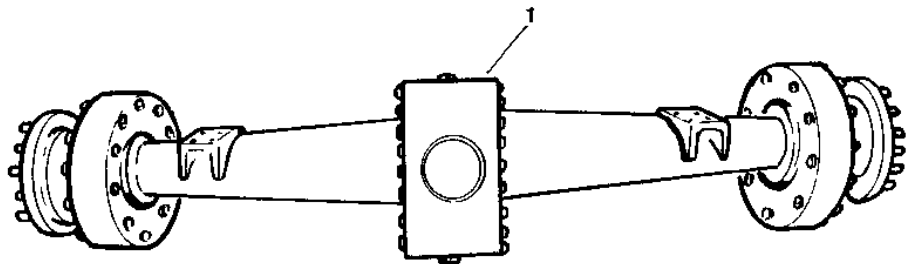
# Transmisión

## Transmission

Puente delantero  
Front axle

(CV25)

Fig. N° Fig. N°	Referencia Part N°	Cantidad Quantity
1	43.50400.01	1

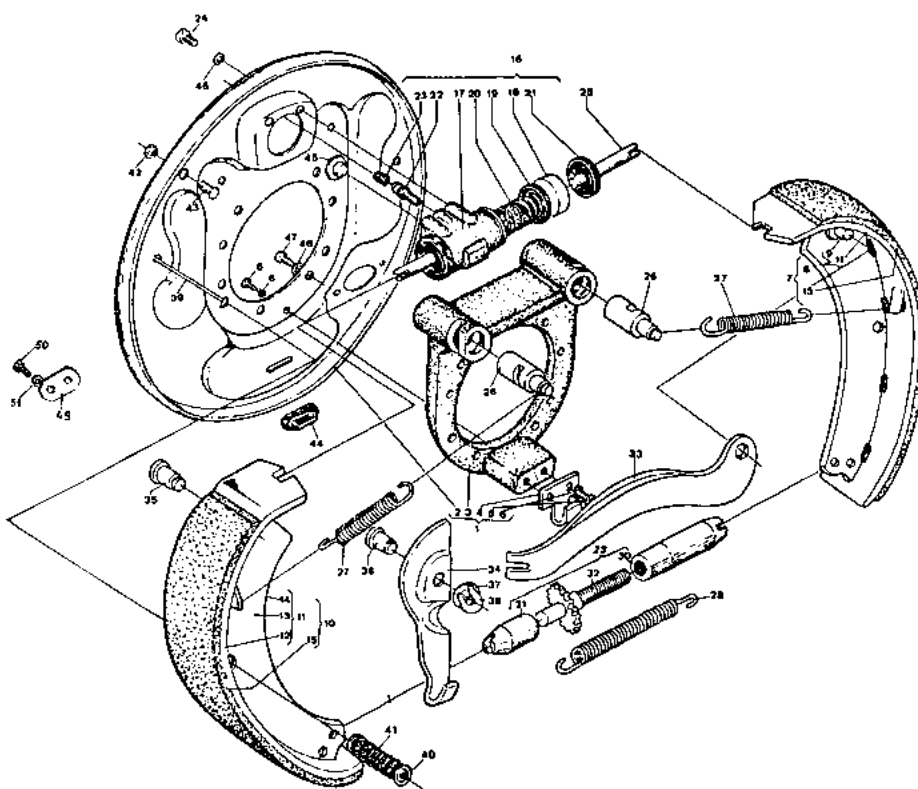


# Transmisión

## Transmission

Freno  
Brake  
(CVH25)

Fig. N° Fig. N°	Referencia Part N°	Cantidad Quantity	Fig. N° Fig. N°	Referencia Part N°	Cantidad Quantity
	43.00408.01	(1)	23	45.00408.41	1
	43.00407.01	(1)	24	43.00408.42	2
1	43.00408.20	1	25	43.00408.43	2
1	43.00407.20	1	26	43.00408.44	2
2	43.00408.21	1	27	43.00408.45	2
2	43.00407.21	1	28	43.00408.46	1
3	43.00408.22	1	29	43.00408.47	1
4	45.00408.23	1	30	43.00408.48	1
5	43.00408.24	5	31	43.00408.49	1
6	45.00408.25	5	32	43.00408.50	1
7	43.00408.26	(1)	33	43.00408.51	1
7	43.00407.26	(1)	33	43.00407.51	1
8	43.00408.27	(1)	34	43.00408.52	1
8	43.00407.27	2	34	43.00407.52	1
9	43.00408.28	1	35	43.00408.53	1
10	43.00408.29	2	36	43.00408.54	1
10	43.00407.29	2	37	45.00408.53	3
11	43.00408.30	2	38	45.00408.54	3
11	43.00407.30	2	39	43.00408.56	2
12	43.00408.31	2	40	45.00408.56	4
13	43.00408.32	2	41	45.00408.57	2
14	43.00408.33	2	42	45.00408.58	2
15	43.00408.34	2	43	45.00408.59	2
16	43.00408.35	(1)	44	45.00408.60	1
16	43.00407.35	(1)	45	45.00408.61	1
17	43.00408.36	1	46	45.00408.62	2
17	43.00407.36	1	47	604.10045.86	16
18	43.00408.37	2	48	105.10000.66	16
19	43.00408.38	2	49	43.50415.00	2
20	43.00408.39	1	50	603.08010.86	4
21	43.00408.40	2	51	105.08000.66	4
22	43.00408.41	1			



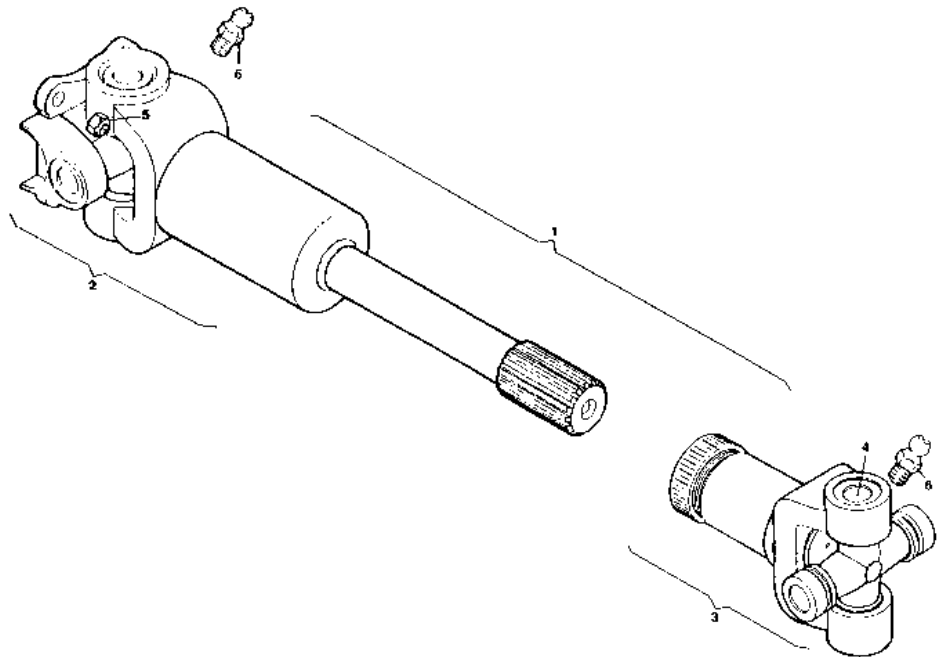
# Transmisión

## Transmission

Junta cardán  
Universal drive joint

(CV25)

Fig. N° Fig. N°	Referencia Part N°	Cantidad Quantity	Fig. N° Fig. N°	Referencia Part N°	Cantidad Quantity
1	43.00481.20	(1)	4	15.48110.00	2
2	55.00482.00	(1)	5	722.11000.86	4
3	15.04812.00	(1)	6	901.08000.33	2



CLICK HERE TO **DOWNLOAD** THE COMPLETE MANUAL

- Thank you very much for reading the preview of the manual.
- You can download the complete manual from: [www.heydownloads.com](http://www.heydownloads.com) by clicking the link below



- Please note: If there is no response to CLICKING the link, please download this PDF first and then click on it.

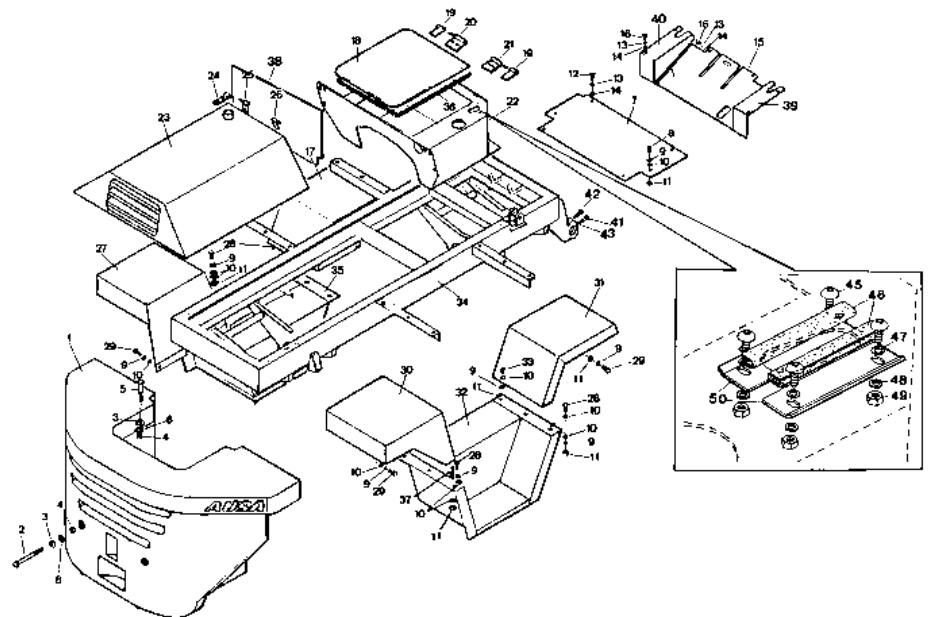
CLICK HERE TO **DOWNLOAD** THE COMPLETE MANUAL

# Chasis Chassis

Bastidor,  
Protectores y Contrapesos  
*Chassis, Protectors and  
Counterweights*

(CV25)

Fig. N° Fig. N°	Referencia Part N°	Cantidad Quantity	Fig. N° Fig. N°	Referencia Part N°	Cantidad Quantity
1	43.50952.26	1	26	43.10733.00	1
2	604.20230.86	2	27	43.50774.00	1
3	15.00561.00	6	28	604.10030.86	10
4	701.20000.66	6	29	603.10020.86	8
5	604.20130.86	4	31	43.50770.00	1
6	105.20000.66	6	32	43.51430.00	1
7	43.50776.01	1	33	604.10025.86	2
8	605.10030.66	2	34	43.50800.03	(1)
9	105.10000.66	22	35	43.51540.00	1
10	101.10000.66	26	36	43.51543.00	1
11	701.10000.66	16	37	58.00796.00	1
12	603.08015.86	4	38	43.50819.00	1
13	105.08000.66	10	39	43.50860.10	1
14	101.08000.66	10	40	43.50860.11	1
15	43.50860.13	1	41	604.12070.80	2
16	603.08020.86	6	42	604.12080.80	2
17	43.50772.00	1	43	105.12000.66	4
18	43.50779.00	1	44	43.50725.00	1
19	43.50511.00	2	45	630.06015.86	4
20	43.50512.02	1	46	43.50241.00	2
21	43.50512.01	1	47	101.06000.66	4
22	43.50778.01	1	48	105.06000.66	4
23	43.50781.02	1	49	701.06000.66	4
24	43.10734.00	2	50	43.50242.00	2
25	43.10732.00	1	51	43.50815.01	1

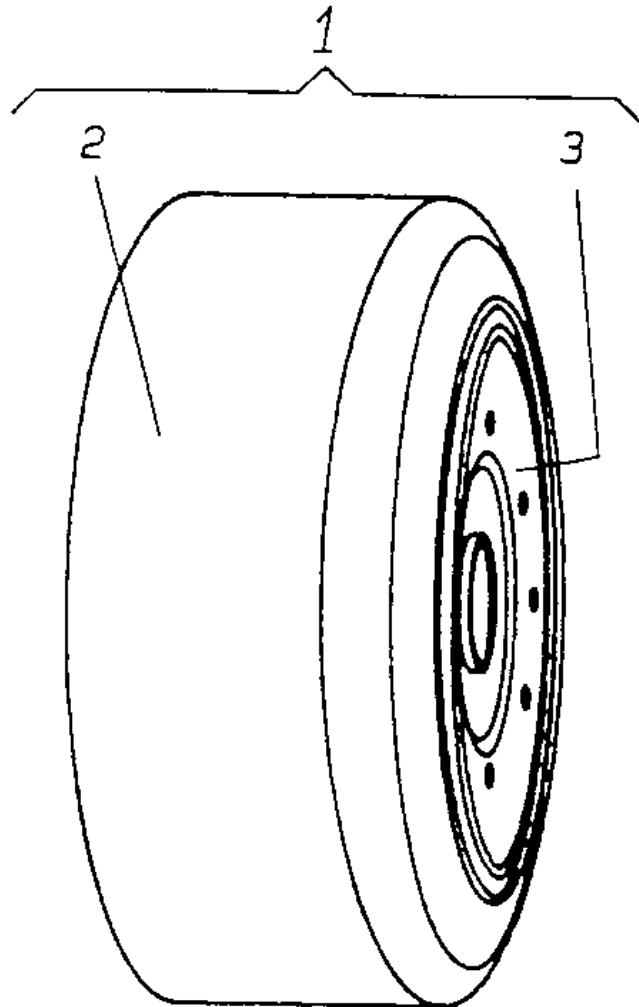


## Ruedas Wheels

Ruedas  
Wheels

Fig. N° Fig. N°	Referencia Part N°	Cantidad Quantity	Fig. N° Fig. N°	Referencia Part N°	Cantidad Quantity
Puente delantero y Puente trasero CV 25 Puente trasero CVH 25			Puente delantero CVH 25		
1 *	43.50903.10	(4)	1	43.00903.00	(2)
**		(2)	2	43.00913.01	1
2	43.00913.01	1	3	43.00911.00	1
3	43.50911.00	1	4	43.00912.00	1
	43.00912.00	1			

\* (CV-25)  
\*\* (CVH-25)

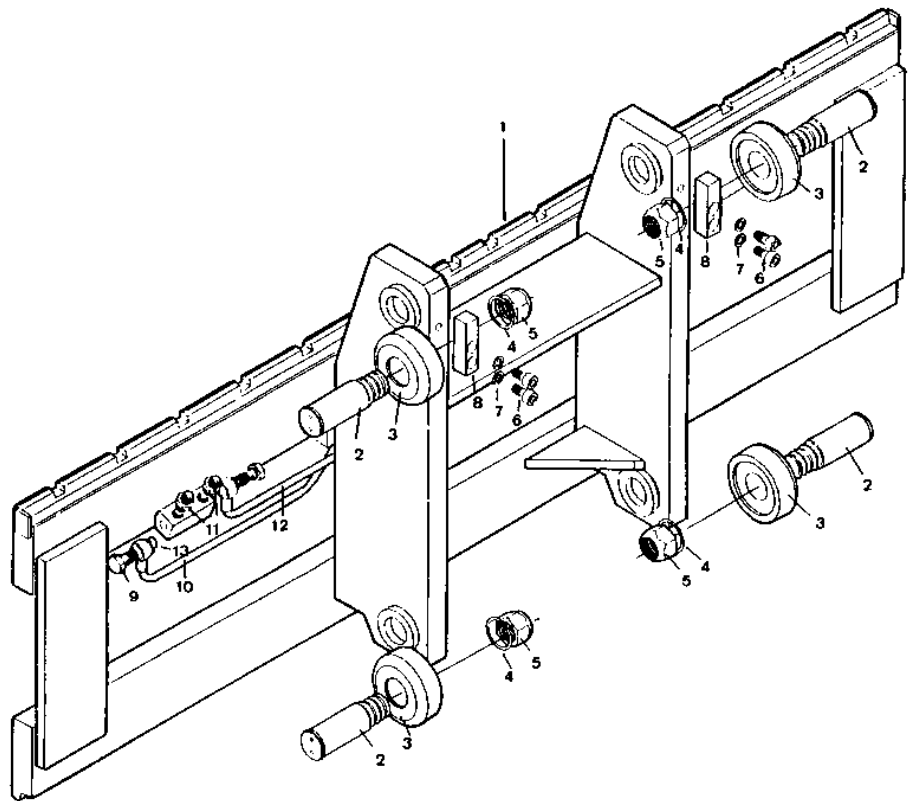


**Implementos  
funcionamiento  
máquina**

*Machine  
operation  
tools*

Placa portahorquillas  
*Portforks plate*

Fig. N° Fig. N°	Referencia Part N°	Cantidad Quantity	Fig. N° Fig. N°	Referencia Part N°	Cantidad Quantity
1	51.20401.06	(1)	4	51.01342.14	Var.
1	51.20401.04	(1)	5	720.30000.66	4
1	51.20401.02	(1)	6	601.10025.86	4
1	51.20401.00	(1)	7	104.10000.66	4
1	51.20401.08	(1)	8	51.20431.00	2
			9	28.00340.00	4
2	51.01347.10	4	10	19.00530.11	1
3	51.01341.10	4	11	19.00720.00	2
4	51.01342.11	Var.	12	19.00530.10	1
4	51.01342.12	Var.	13	28.00341.00	8
4	51.01342.13	Var.			

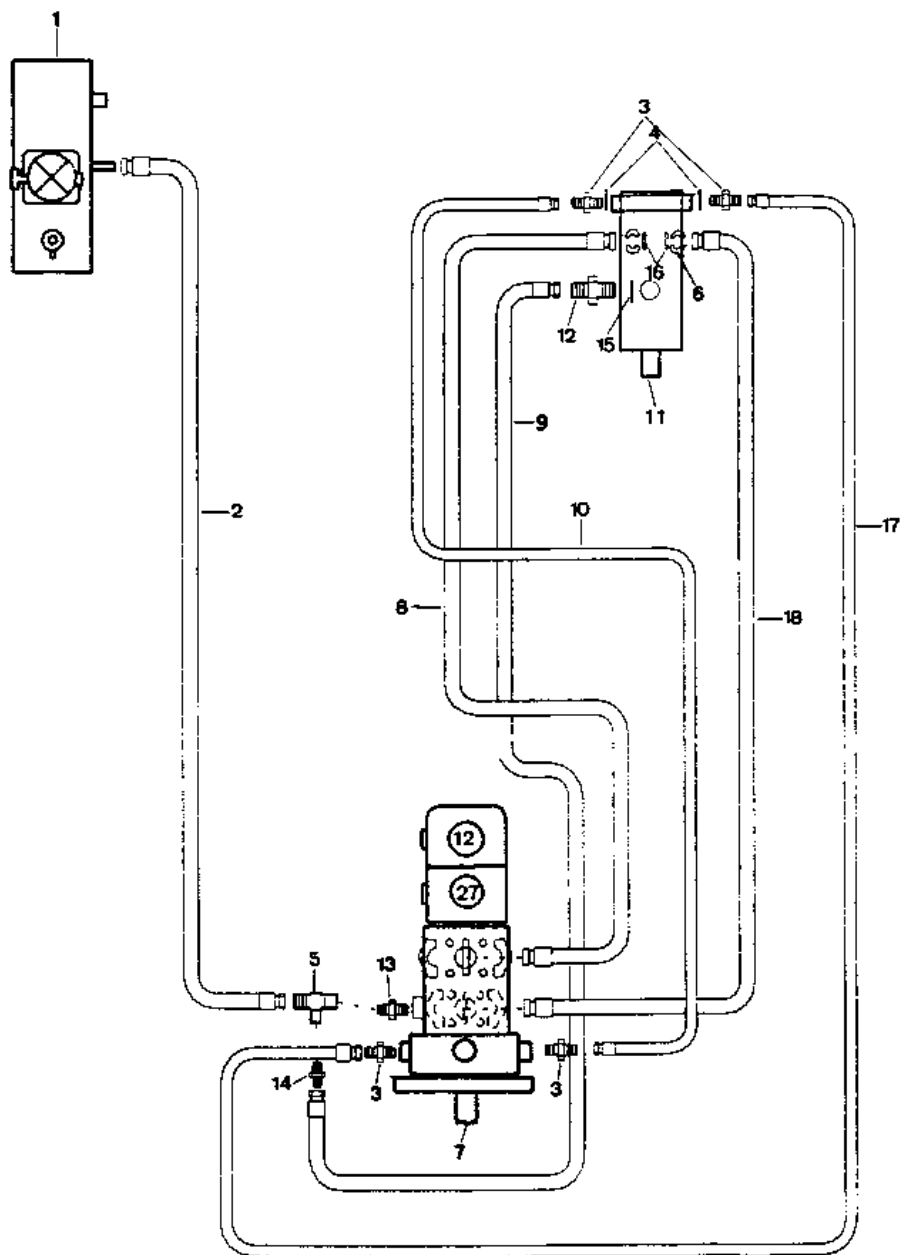


**Instalación  
hidráulica**  
*Hydraulic  
circuit*

Instalación hidráulica  
*Hydraulic installation*

(CVH25)

Fig. N° Fig. N°	Referencia Part N°	Cantidad Quantity	Fig. N° Fig. N°	Referencia Part N°	Cantidad Quantity
1	43.61430.01	1	10	52.01473.00	1
2	43.61441.00	1	11	52.01490.01	1
3	52.01441.00	3	12	52.01445.00	1
4	107.12000.10	2	13	52.01442.00	1
5	52.01486.00	1	14	52.01487.00	1
6	52.01493.00	2	15	107.22000.10	1
7	52.01492.01	1	16	201.33035.50	2
8	52.01470.01	1	17	52.01472.00	1
9	58.01439.00	1	18	52.01470.20	1

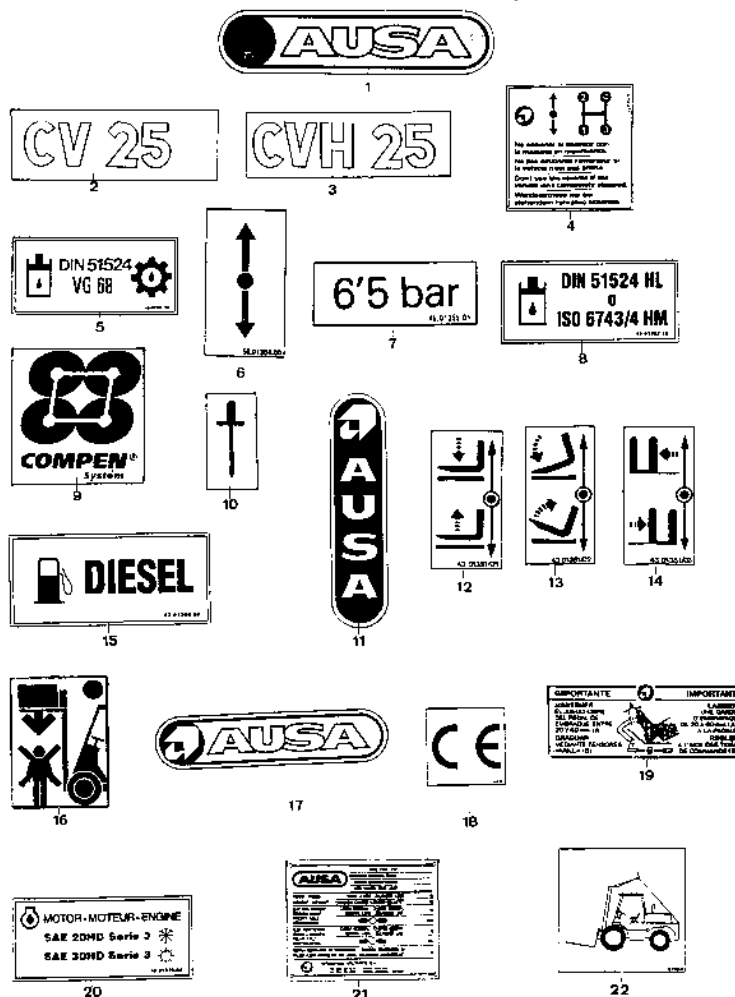


# Acabados Finishing

Placas  
Plates

Fig. N° Fig. N°	Referencia Part N°	Cantidad Quantity	Fig. N° Fig. N°	Referencia Part N°	Cantidad Quantity
1	43.51906.00	2	22	58.01353.00	1
2 *	43.50102.00	2	23	43.51904.00	1
3 **	43.60102.00	2	24	43.51905.00	1
4	45.01354.10	1	25	43.11350.50	1
5	60.01352.00	1	26	43.01354.03	1
6	58.01354.00	1	27	43.01351.50	1
7	45.01355.01	4	28	02.00774.00	1 (E)
8	43.01352.10	2	29	02.00777.00	1 (GB)
9	43.00395.00	2	30	02.00778.00	1 (F)
10	502.03000.60	4	31	02.00779.00	1 (A)
11	10.00788.00	2	32	43.02187.00	1 (E)
12	43.01351.01	1	33	43.02187.01	1 (F)
13	43.01351.02	1	34	43.02187.02	1 (GB)
14	43.01351.03	1	35	43.02187.03	1 (A)
15	43.01356.00	1	36	02.00773.04	1 (P)
16	45.01352.00	2	37	02.00771.04	1 (P)
17	43.01904.10	1	38	14.00775.04	2 (P)
18	45.19101.00	1	39	46.01361.04	1 (P)
19	45.00760.00	1	40	01.00779.21	1 (F)
20	43.01170.00	1	41	43.00396.01	1
21	01.00779.21	1			

\* CV25  
\*\* CVH25  
(E) Español  
(GB) Inglés  
(F) Francés  
(A) Alemán  
(P) Portugués



Referencia Reference	Tabla Board	Fig. N° Fig. Nr	Denominación Denomination
43.50776.01	1.2 51 61	18	
	1.2 51 61	19	
43.50778.01	1.2 51 61	20	
43.50779.00	1.2 51 61	21	
43.50781.02	1.2 51 61	22	
	1.2 51 61	23	
43.50781.04	1.2 51 61	24	
	1.2 51 61	25	
43.50781.91-85	1.2 51 61	26	
43.50781.92	1.2 51 61	27	
43.50781.93-86-87	1.2 51 61	28	
43.50781.94	1.2 51 61	29	
43.50800.03	1.2 51 61	30	BASTIDOR FRAME
43.50815.01	1.2 51 61	31	
	1.2 51 61	32	
43.50819.00	1.2 51 61	33	
	1.2 51 61	34	
43.50860.10	1.2 51 61	35	
	1.2 51 61	36	
43.50860.11	1.3 51 61	1	
	1.3 51 61	2	
43.50860.12	1.3 51 61	3	
43.50860.13	1.3 51 61	4	
43.50870.00	1.3 51 61	5	
43.50891.00	1.3 51 61	6	PROT. CONDUCTOR DRIVER GUARD
43.50892.00	1.3 51 61	7	TUBO MONTANTE TUBE GUARD
43.50893.00	1.3 51 61	8	TUBO MONTANTE TUBE GUARD
43.50894.00	1.3 51 61	9	
43.50895.00	1.3 51 61	10	TUBO MONTANTE TUBE GUARD
43.50901.00	1.3 51 61	11	ACOP. CIL/CIL COUPLING CYL/CYL
43.50903.10	1.3 51 61	12	RUEDA WHEEL RIM
43.50911.00	1.3 51 61	13	RUEDA WHEEL RIM
43.50920.00	1.3 51 61	14	CAJA. BOX.
	1.3 51 61	15	CAJA. BOX.
43.50921.00	1.3 51 61	16	TAPA SOP. FLANGE
	1.3 51 61	17	TAPA SOP. FLANGE
43.50929.00	1.3 51 61	18	EJE CIL/ROS AXLE 'CIL/ROS'
43.50941.00	1.3 51 61	19	TORNILLO DIN923* SCREW DIN923*
43.50942.00	1.3 51 61	20	CRISTAL GLASS
43.50943.00	1.3 51 61	21	CRISTAL GLASS
43.50949.00	1.3 51 61	22	INDICADOR INDICATOR
43.50951.00	1.3 51 61	23	SOP. PAS. REC. STRIP SUPPORT
43.50952.00	1.3 51 61	24	
43.50952.26	1.3 51 61	25	CONTRAPESO BALLAST WEIGHT
	1.3 51 61	26	CONTRAPESO BALLAST WEIGHT
43.50965.00	1.3 51 61	27	
43.50981.29	1.3 51 61	28	
43.50991.00	1.3 51 61	29	
43.51008.00	1.3 51 61	30	
	1.3 51 61	31	
43.51036.00	1.3 51 61	32	BRIDA FORU CLAMP U
	1.3 51 61	33	BRIDA FORU CLAMP U
	1.3 51 61	34	BRIDA FORU CLAMP U
43.51150.00	1.3 51 61	35	
	1.4 51 61	1	
43.51150.01	1.4 51 61	2	CILINDRO D/E CYLINDER D/E
43.51157.01	1.4 51 61	3	
43.51159.01	1.5 51 61	1	
43.51250.01	1.5 51 61	2	
	1.5 51 61	3	
43.51430.00	1.5 51 61	4	DEPOSITO TANK
43.51430.01	1.5 51 61	5	DEPOSITO TANK
43.51440.10	1.8 51 61	1	
43.51452.00	1.8 51 61	2	
43.51481.00	1.8 51 61	3	TUBO RIG.10 TUBE COPPER10
43.51489.00	1.8 51 61	4	TUBO MET. TUBE MET.
43.51490.00	1.8 51 61	5	
43.51498.00	1.8 51 61	6	
43.51522.00	1.8 51 61	7	
43.51540.00	1.8 51 61	8	
	1.8 51 61	8	
43.51540.01	1.8 51 61	9	DEPOSITO TANK

Referencia Reference	Tabla Board	Fig. N° Fig. Nr	Denominación Denomination
43.51543.00	1.1 51 61	1	
43.51544.00	1.1 51 61	2	
	1.1 51 61	3	
43.51606.00	1.1 51 61	4	
	1.1 51 61	5	
43.51766.01	1.1 51 61	6	VALVULA VALVE
43.51904.00	1.1 51 61	6	
43.51905.00	1.1 51 61	7	
43.51906.00	1.1 51 61	8	PLACA AD. INDI. PLATE AD. INDI
43.55400.02	1.1 51 61	8	
43.55400.03	1.1 51 61	9	BRAZO VIR. TURNABLE ARM
43.60102.00	1.1 51 61	10	PLACA AD. INDI. PLATE AD. INDI
43.60118.01	1.1 51 61	11	
43.60152.00	1.1 51 61	12	AMORTIGUADOR. SHOCK ABSORVER
	1.1 51 61	13	AMORTIGUADOR. SHOCK ABSORVER
43.60171.00	1.1 51 61	14	SOP. MOTOR ENGINE SUPPORT
43.60172.00	1.1A 51 61	1	SOP. MOTOR ENGINE SUPPORT
43.60173.00	1.1A 51 61	2	SOP. MOTOR ENGINE SUPPORT
43.60179.00	1.1A 51 61	3	
43.60179.91	1.1A 51 61	4	
43.60212.00	6.8 51 61	1	
43.60232.00	6.8 51 61	2	RACOR TOR. SIMPLE NIPPLE SCREW SIM.
43.60233.00	6.8 51 61	3	RACOR M/H NIPPLE M/H
43.60400.02	6.8 51 61	4	
43.60500.03	6.8 51 61	5	
43.60503.01	6.8 51 61	6	
43.60506.00	6.8 51 61	7	TRAMO I/E LENGTH ELEC. INSTAL.
43.60601.00	6.8 51 61	8	CARCASA CASING
43.60602.00	6.8 51 61	9	CARCASA CASING
43.60603.00	6.8 51 61	10	ENGRANAJE. GEAR
43.60604.00	6.8 51 61	11	EJE CIL/EST
43.60605.01	6.8 51 61	12	ACOP. CIL/CIL COUPLING CYL/CYL
	6.8 51 61	13	ACOP. CIL/CIL COUPLING CYL/CYL
43.60606.00	6.8 51 61	14	
43.60607.00	6.8 51 61	15	EJE CIL/CIL SHAFT 'CIL/CIL'
43.60608.00	6.8 51 61	16	
43.60615.01	6.8 51 61	17	
43.60750.00	6.8 51 61	18	
43.60778.02	6.8 51 61	19	
43.60779.00	2.1 51 61	1	
43.60800.01	2.1 51 61	2	BASTIDOR FRAME
43.60828.00	2.1 51 61	3	SOP. PAS. FOR. STRIGHT SUPPORT
43.60852.00	2.1 51 61		
43.61423.02	2.1 51 61	1	
43.61430.01	2.1 51 61	2	
	2.1 51 61	3	
	2.1 51 61	4	DEPOSITO TANK
43.61437.01	3.3 51 61	1	
43.61441.00	3.3 51 61	2	TUBO REFOR. B/P HOSE RUBBER L/P
43.61447.00	3.3 51 61	3	
43.61463.00	3.3 51 61	4	
43.61522.00	3.3 51 61	5	BOMBA HIDR. HYDR. PUMP
43.61543.00	3.3 51 61	6	
43.61694.00	3.3 51 61	7	
43.61695.00	3.3 51 61	8	
43.64430.01	3.3 51 61	9	
43.91303.00	3.3 51 61	10	EQUIPO ENGANCHE HITCH ASSEMBLY
43.99019.01	3.3 51 61	11	JUEGO JUNTAS GASKET SET
43.99403.00	3.4 51 61	1	
44.00706.02	3.4 51 61	2	CABLE FRENO BRAKE CABLE
45.00031.11	3.4 51 61	3	
45.00031.12	3.4 51 61	4	
45.00031.13	3.4 51 61	5	
45.00139.00	3.4 51 61	6	RESORTE TRAC. SPRING TENSION
	3.4 51 61	7	RESORTE TRAC. SPRING TENSION
45.00155.03	3.4 51 61	8	ACOP. ELASTICO ELASTIC COUPLING
45.00210.00	3.4 51 61	9	ARANDELA DIN125* WASHER DIN125*
	3.4 51 61	10	ARANDELA DIN125* WASHER DIN125*
45.00215.00	3.4 51 61	11	EJE ROS/ROS AXLE 'ROS/ROS'
	3.4 51 61	12	EJE ROS/ROS AXLE 'ROS/ROS'
45.00338.00	3.4 51 61	13	SOP. ART. SUPPORT ART.
45.00354.00	3.4 51 61	14	ACOP. CIL/CIL COUPLING CYL/CYL

CLICK HERE TO **DOWNLOAD** THE COMPLETE MANUAL

- Thank you very much for reading the preview of the manual.
- You can download the complete manual from: [www.heydownloads.com](http://www.heydownloads.com) by clicking the link below



- Please note: If there is no response to CLICKING the link, please download this PDF first and then click on it.

CLICK HERE TO **DOWNLOAD** THE COMPLETE MANUAL