

PARTS MANUAL

CLICK HERE TO **DOWNLOAD** THE COMPLETE MANUAL

- Thank you very much for reading the preview of the manual.
- You can download the complete manual from: www.heydownloads.com by clicking the link below



- Please note: If there is no response to CLICKING the link, please download this PDF first and then click on it.

CLICK HERE TO **DOWNLOAD** THE COMPLETE MANUAL

014	01.00380.00	SCREW DIN931*	8
016	01.01302.00	NUT	8
017	711.08000.66	NUT DIN982 M8	1
018	52.00365.00	CAP	1
019	107.14000.10	WASHER AL 14x20x1.5	3
020	601.10040.86	SCREW DIN912 M10X40	2
021	10.00192.00	FLANGE	1
022	10.03001.00	GEAR	1
023	80.01035.01	CAP	2
024	10.00191.01	COVER 278X382	1
025	603.10030.86	SCREW DIN933	5

018	10.03606.00	CON ROD	2
020	718.14000.66	NUT DIN985 M14x1,5	4
021	718.24000.66	BUSHING 20x23x30 DIN 1494	2
022L	10.03607.00	STUB AXLE	1
022R	10.03608.00	RIGHT KNUCKLE	1
023	46.00552.20	MAT. TUBO MET. CIL.	2
024	330.25037.00	ROLLING BEARING	2
025	202.36008.50	SEAL DIN3760	2
026	10.00553.02	NUT	2
027	10.00560.00	RING 0,5 MM.	2
028	45.00550.00	WHEEL HUB	2
030	401.25045.60	FITTING M/M M18x3/8BSP	2
031	01.01314.10	NUT	2
032	00.05806.00	CAP	2
033	10.03610.00	CYLINDER D/E	1
034	939.01625.00	BUSH	2
035	10.03615.01	CABEZA VASTAGO M27X1,5-D40X80	2
036	702.27000.66	WASHER DIN125*	2
037	233.30005.50	WIPER RING	2

**TRANSMISSION
REAR AXLE**

FIGURA	REFERENCIA	DENOMINACIÓN	CANTIDAD
038	232.30008.50	GASKET	2
039	10.03612.00	MALE CROSS SHAFT 22X86	2
040	201.05003.50	SCREW DIN933	2
041	235.50525.50	NIPPLE	2
042	236.44042.50	BEARING DIN720	1
043	10.13603.00	SPINDLE D30x530 COMP.	1
044	234.30925.50	GUIDE	4
045	10.99110RE02	GASKET SET	1

4X4 TRANSMISSION

REAR AXLE

BASTIDOR: 39943

- ① PUENTE DIRECTRIZ 4X4 /
GUIDELINE AXLE 4X4

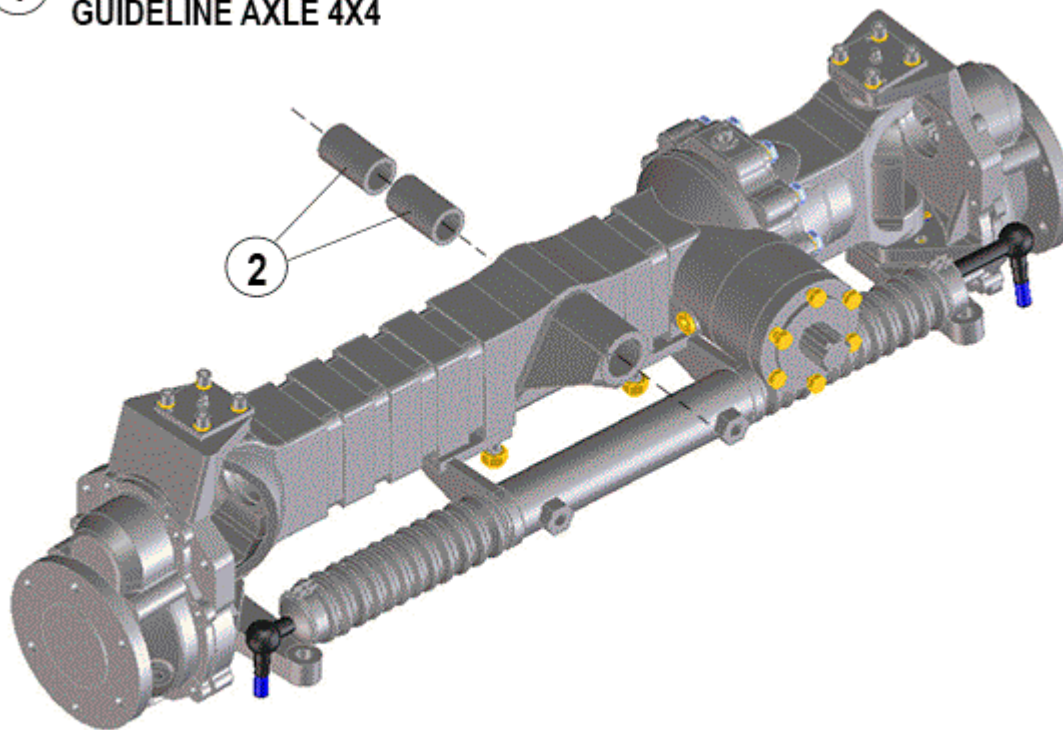


FIGURA	REFERENCIA	DENOMINACIÓN	CANTIDAD
001	45.00500.05	PUENTE DIRECTRIZ 4X4	1
002	39.10616.01	BUSH	2

OBSERVACIONES

MOD.3011 Se mejora la reductora del puente x4

023	301.30016.00	BEARING DIN625	4
024	39.10611.01	GEAR	2
025	39.10630.00	BUSHING	2
026	201.03002.50	O-RING DIN3770	2
027	601.08025.86	SCREW DIN912	7
028	104.08000.00	WASHER DIN7980 D8	7
029	39.10632.00	NUT DIN982 M20x1.5	2

OBSERVACIONES

MOD.2768 Modificacion cubo rueda puente trasero

4X4 TRANSMISSION

STEERING CYLINDER MOUNTING

BASTIDOR: 27638

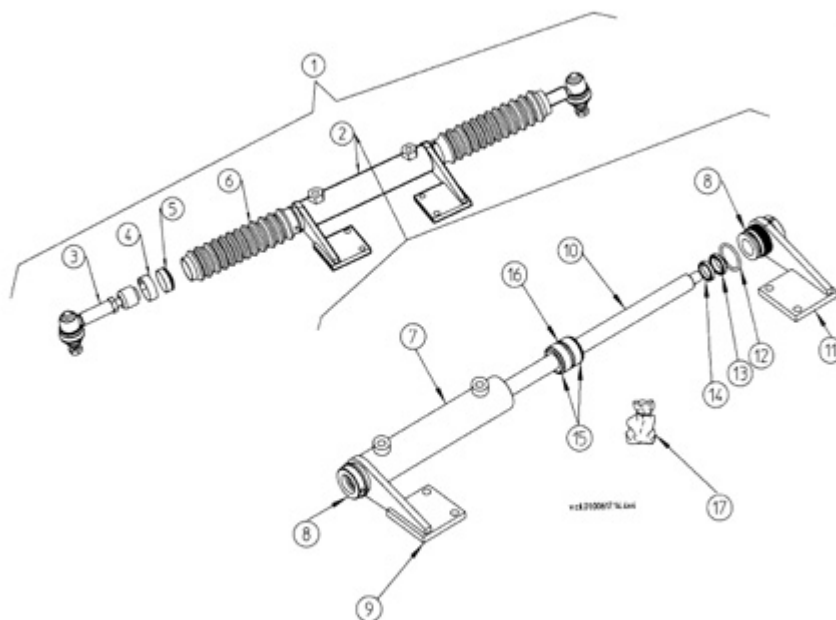


FIGURA	REFERENCIA	DENOMINACIÓN	CANTIDAD
001	39.00617RE13	CYLINDER D/E	1
002	01.00617.14	CYLINDER D/E	1
003	10.09101.01	L BALL	2
004	912.32050.66	CLAMP DIN3017	4
005	00.05806.01	CAP	2
006	45.01492.00	DUST EXCLUDER	2
007	10.13602.01	GUIDE	1
008	10.13602.01	GUIDE	2
009	39.10624.02	SUPPORT SHEET	1
010	10.13603.01	SPINDLE	1
011	01.00617.14	CYLINDER D/E	1
012	201.18003.50	O-RING DIN3770	2
013	233.30005.50	WIPER RING	2
014	232.30008.50	GASKET	2
015	235.50525.50	NIPPLE	2
016	236.44042.50	BEARING DIN720	1
017	10.99110RE02	GASKET SET	1

STEERING

STEERING

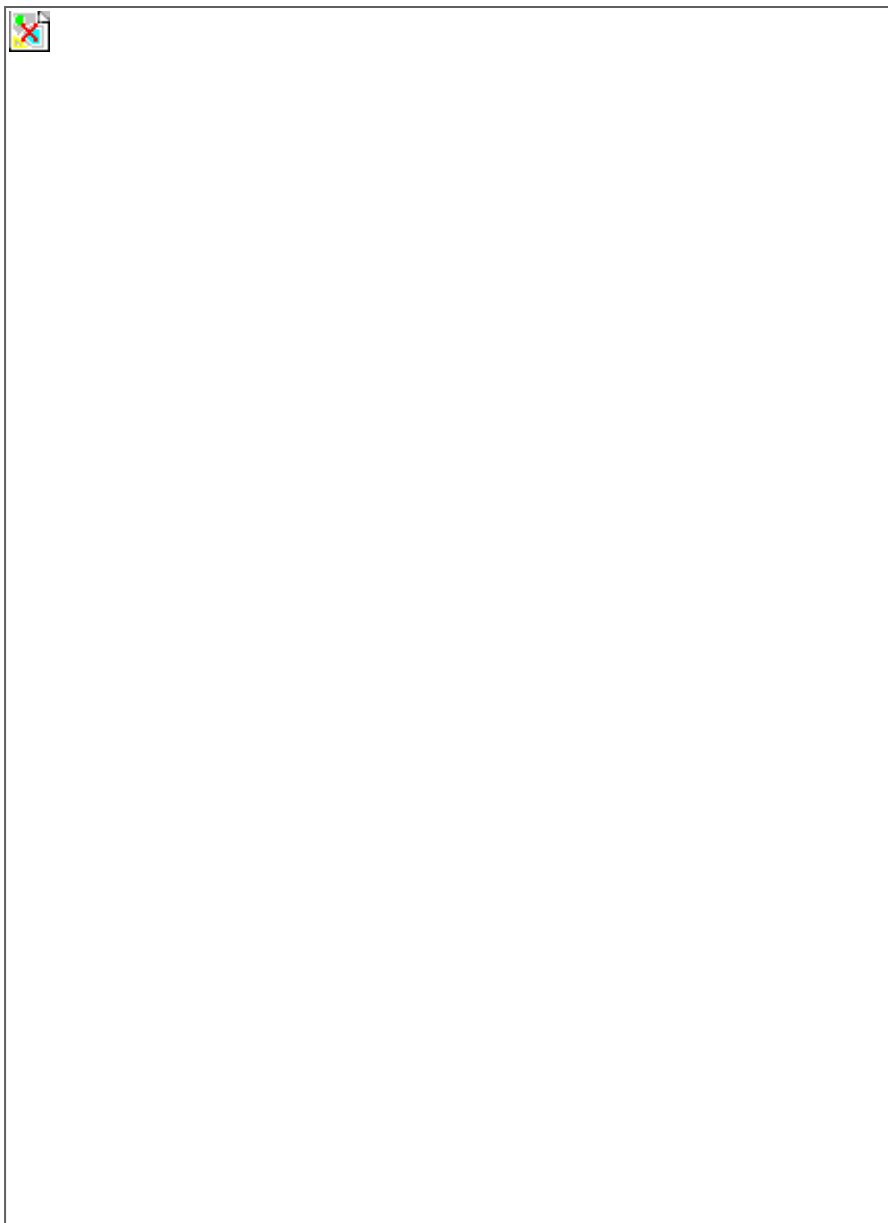


FIGURA	REFERENCIA	DENOMINACIÓN	CANTIDAD
001	15.01016.01	STEERING WHEEL D21-315 WITH POMMEL	1
002	00.00626.03	TRIM	1
003	15.10161.01	KNOB	1
004	IM.20014.00	SWITCH	1
005	IM.20012.00	WORK-OUR METER	1
006	IM.20017.00	SWITCH	1
007	IM.20016.00	WORKING LIGHT SWITCH	1
008	IM.20015.00	SWITCH	1
009	IM.20010.00	FLANGE	1
010	IM.20013.00	SWITCH	1
011	IM.20005.00	BOARD SUPPORT	1

CLICK HERE TO **DOWNLOAD** THE COMPLETE MANUAL

- Thank you very much for reading the preview of the manual.
- You can download the complete manual from: www.heydownloads.com by clicking the link below



- Please note: If there is no response to CLICKING the link, please download this PDF first and then click on it.

CLICK HERE TO **DOWNLOAD** THE COMPLETE MANUAL

BODY FUEL TANK

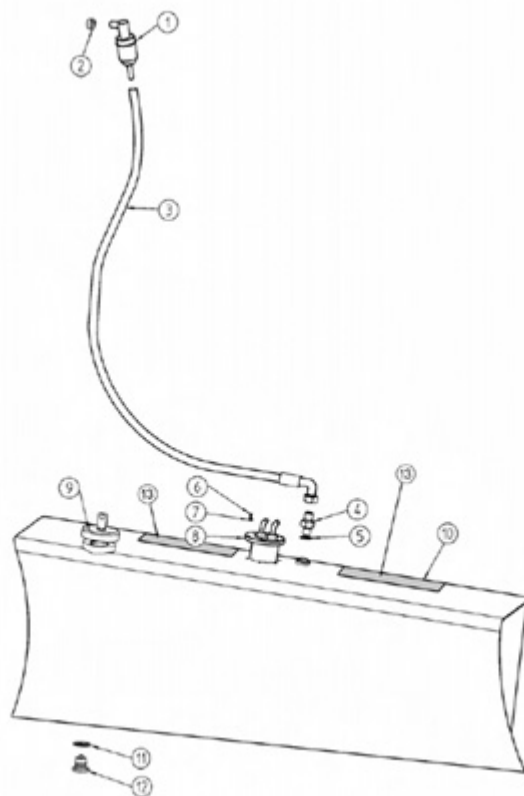


FIGURA	REFERENCIA	DENOMINACIÓN	CANTIDAD
001	45.01526.00	PREFILTER FUEL/HYDRAULIC	1
002	912.08016.66	CLAMP DIN3017	1
003	10.11125.00	HOSE RUBBER B/P	1
004	43.70442.00	NIPPLE M/M	1
005	107.14000.10	WASHER AL 14x20x1.5	1
006	615.04015.66	SCREW DIN84 M4x15	6
007	104.04000.00	WASHER DIN7980 D4	6
008	10.14287.00	LEVEL	1
009	15.01524.01	CAP	1
010	10.11050.00	TANK	1
011	107.14000.10	WASHER AL 14x20x1.5	1
012	10.00921.00	CAP M14X150 DIN908	1
013	10.01465.00	PLACA ANTIDESLIZANTE 105X300	1

IMPLEMENTS

TILTING CYLINDER

FIGURA	REFERENCIA	DENOMINACIÓN	CANTIDAD
019	901.08000.33	GREASER DIN71412-A M8x1,25	2
020	904.42000.00	RING 0,5 MM.	2
021*	10.99500RE00	GASKET SET	1
022	08.00527.00	BEARING	2

HYDRAULIC INSTALLATION CYLINDERS

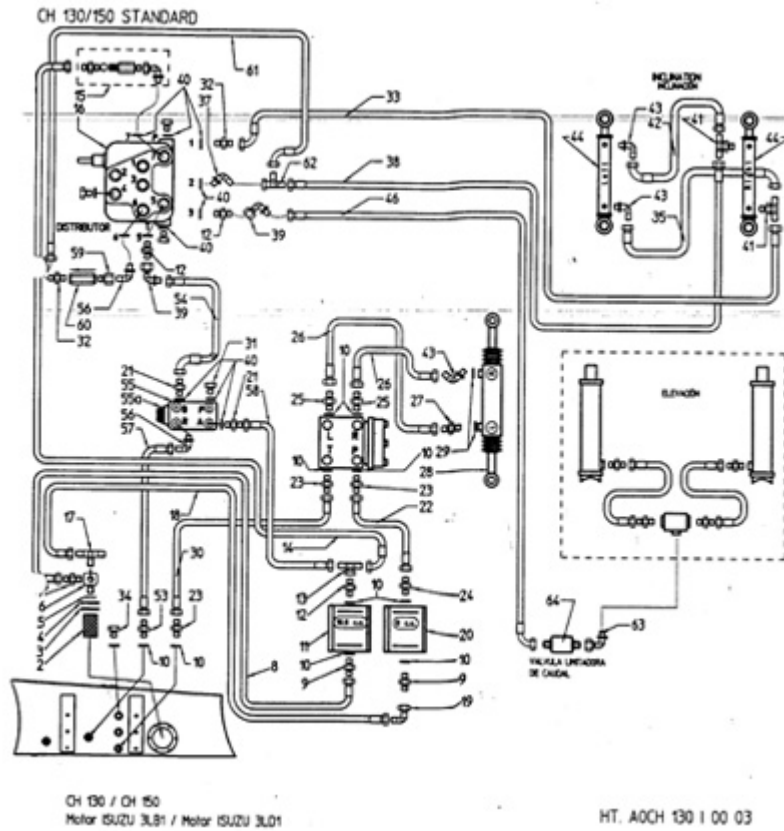


FIGURA	REFERENCIA	DENOMINACIÓN	CANTIDAD
002	58.01810.00	HIDRAULIC CATRIDGE INTANK	1
003	201.95003.50	O-RING DIN3770	1
004	43.70408.00	STRIP	1
005	201.45035.50	O-RING DIN3770	1
006	43.70407.00	AD. FILTER SUPPORT	1
007	55.01448.00	NIPPLE M/M	1
008	10.13431.00	HOSE R1T3/4	1
008	43.70934.00	HOSE R1T3/4	1
009	52.01451.00	NIPPLE M/M 1/2 G-1,1/16 JIC	2
010	08.00316.00	METALLIC GASKET BUNA D1/2 G	11
011	15.01157.00	HYDR. PUMP (ISUZU)	1
012	10.13141.00	THREE-WAY UNION M/O/M	1
013	10.13459.00	HOSE	1
014	10.13117.00	THREE-WAY UNION M/TL/M	1
015	09.01203RE03	VALVE	1
016	10.00330.01	CONTROL VALVE 2E	1
017	10.13118.00	THREE-WAY UNION M/O/M	1
018	10.16781.00	HOSE	1



018	10.14310.00	CAP	1
019	10.14299.00	LENGTH ELEC. INSTAL.	1
019	10.14299.00	LENGTH ELEC. INSTAL.	1

12. FINISHES STICKERS & PLATES (PART 2)

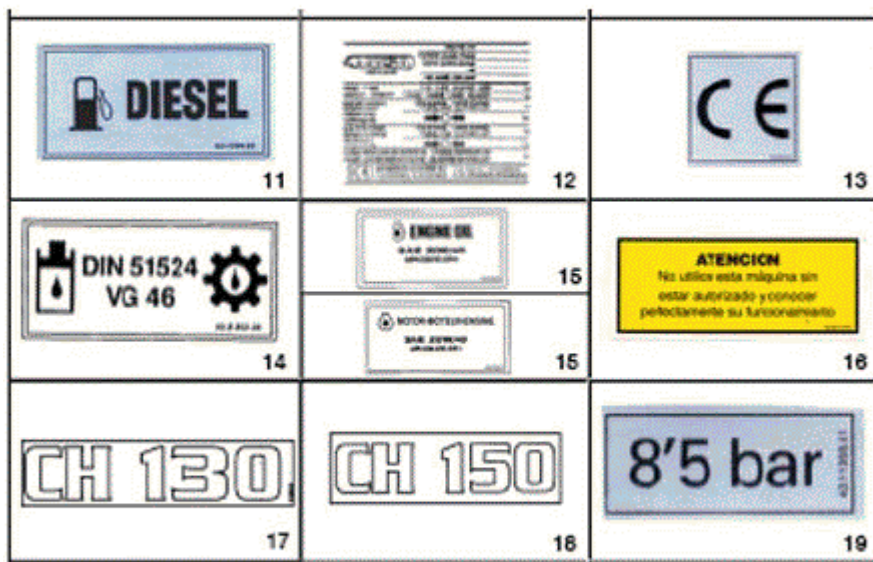


FIGURA	REFERENCIA	DENOMINACIÓN	CANTIDAD
011	43.01356.00	PLATE AD. INDI	1
012	01.00779.26	PLATE CHARAC.	1
013	45.19101.00	PLATE AD. INDI	1
014	43.01352.20	PLATE AD. INDI	1
015	43.01170.02	PLATE AD. INDI	1
016	02.00774.00	PLATE AD. INDI	1
016	02.00777.00	PLATE AD. INDI	1
017	10.15001.00	PLATE AD. INDI	1
018	10.15002.00	PLATE AD. INDI	1
019	43.11355.01	PLATE AD. INDI	2

OPTION AND VARIANTS

DOUBLE MAST (FREE ELEVATION)(2,6 M.)



FIGURA	REFERENCIA	DENOMINACIÓN	CANTIDAD
001	EL.10077.00	MASTIL EXTERIOR	1
001	10.12300.00	MAST WITHOUT DISPLACEMENT	1
002	EL.10078.00	NUT	1
003	EL.10022.00	ROLLING BEARING	4
004	EL.10079.00	BRIDA	2
005	104.08000.00	WASHER DIN7980 D8	4
006	601.08035.86	SCREW DIN912	4
007	EL.10081.00	NUT	2
008	EL.10082.00	CHAIN PIN BL634	2
009	EL.10083.00	CHAIN ADJUSTABLE TENSOR FOR BL634	2
010	EL.10084.00	MASTIL INTERIOR	1
011	EL.10085.00	CLAMP U	1

OPTION AND VARIANTS

CYLINDERS- TRIPLEX MAST

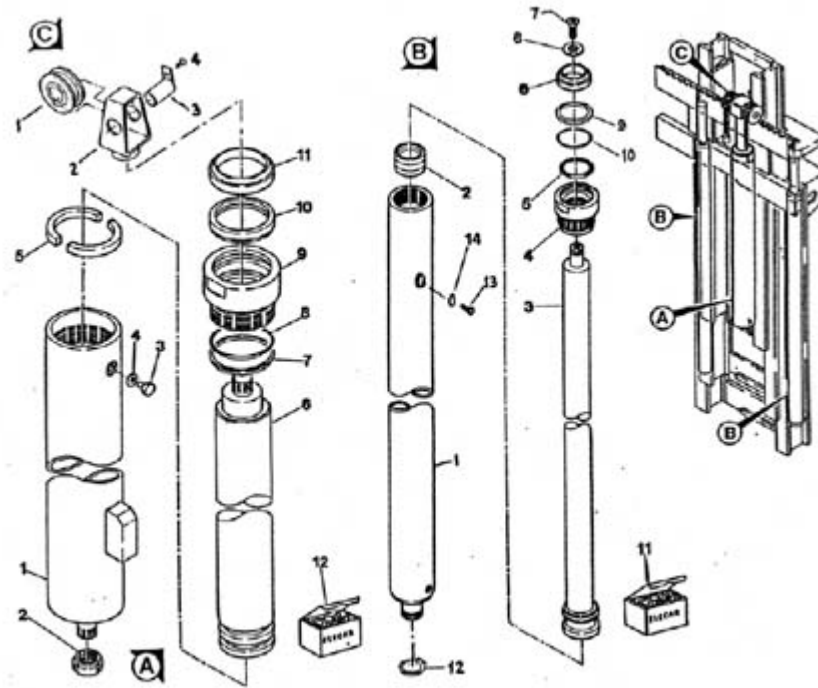


FIGURA	REFERENCIA	DENOMINACIÓN	CANTIDAD
001	EL.10036.00	CUERPO CIL. LAT. TRIPLEX 4	1
001	EL.10107.00	PULLEY	1
001	EL.10087.00	CUERPO CIL. CENTRAL 2,6M	1
001	EL.10086.00	CYLINDER S/E	1
001	EL.10035.00	CYLINDER S/E	1
001	EL.10108.00	PULLEY	1
002	EL.10037.00	RING	1
002	EL.10088.00	NUT	1
002	EL.10109.00	SOP. POLEA	1
003	EL.10110.00	EJE CIL/CPL	1
003	603.06010.86	SCREW DIN933 M6x10	1
003	EL.10038.00	SPINDLE	1
004	EL.10039.00	GUIDE	1
004	EL.10111.00	SCREW TE M8X16 UNI 5739 8.8	1
004	106.06000.20	WASHER CU	1
005	EL.10089.00	RING	1
005	EL.10046.00	GASKET SET	1
006	EL.10046.00	GASKET SET	1

OPTION AND VARIANTS

4. VALVE/

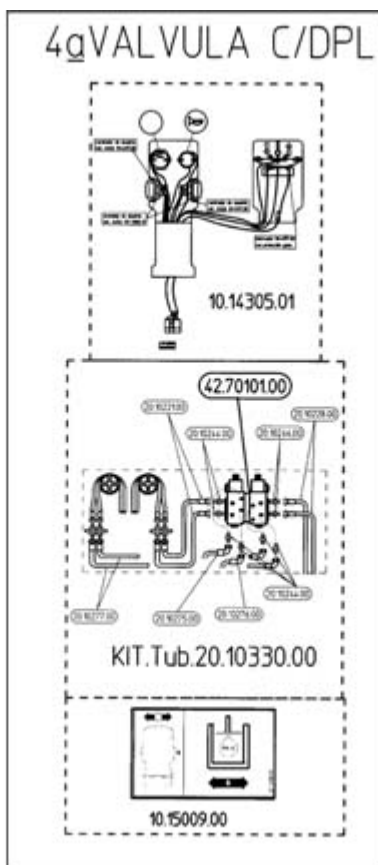


FIGURA	REFERENCIA	DENOMINACIÓN	CANTIDAD
001	10.14305.03	CONTROL LEVER	1
001	10.14305.03	CONTROL LEVER	1
001	10.14305.03	CONTROL LEVER	1
001	10.14305.03	CONTROL LEVER	1
001	20.10330.00	PIPING KIT	1
001	20.10221.00	TUBE 491	2
001	20.10244.00	NIPPLE	8
001	20.10228.00	TUBE 491	2
001	20.10277.00	TUBE 491	2
001	20.10275.00	TUBE 491	1
001	20.10276.00	TUBE 491	1
001	10.15009.00	PLATE AD. INDI	1
001	10.14305.03	CONTROL LEVER	1
002	42.70101.00	SHUTTLE VALVE 8 WAYS	1
002	42.70101.00	SHUTTLE VALVE 8 WAYS	1
002	42.70101.00	SHUTTLE VALVE 8 WAYS	1
002	42.70101.00	SHUTTLE VALVE 8 WAYS	1
002	42.70101.00	SHUTTLE VALVE 8 WAYS	1

CLICK HERE TO **DOWNLOAD** THE COMPLETE MANUAL

- Thank you very much for reading the preview of the manual.
- You can download the complete manual from: www.heydownloads.com by clicking the link below



- Please note: If there is no response to CLICKING the link, please download this PDF first and then click on it.

CLICK HERE TO **DOWNLOAD** THE COMPLETE MANUAL