

PARTS MANUAL

CLICK HERE TO **DOWNLOAD** THE COMPLETE MANUAL

- Thank you very much for reading the preview of the manual.
- You can download the complete manual from: www.heydownloads.com by clicking the link below



- Please note: If there is no response to CLICKING the link, please download this PDF first and then click on it.

CLICK HERE TO **DOWNLOAD** THE COMPLETE MANUAL

ENGINE SUPPORTS

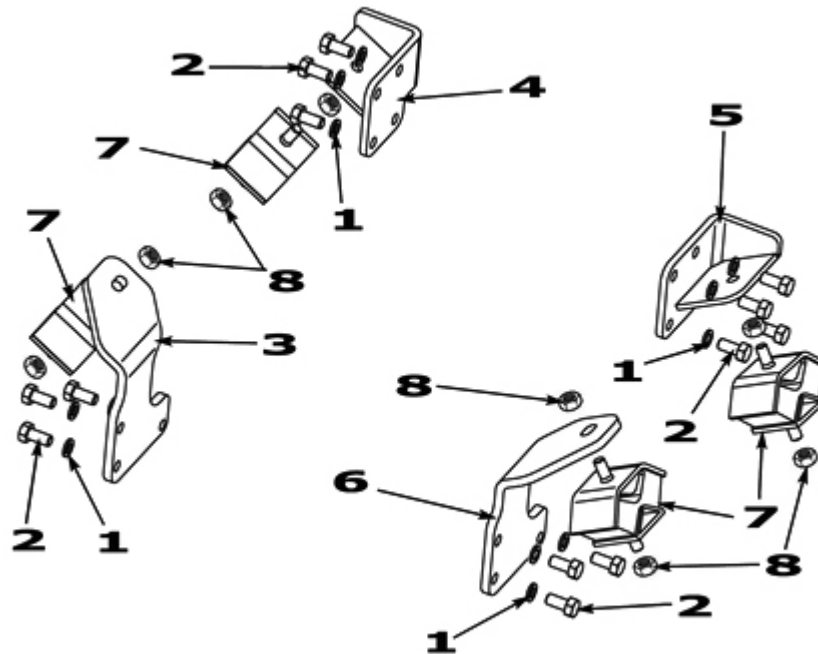


FIGURE	REFERENCE	DENOMINATION	AMOUNT
001	104.12000.00	CIR-CLIP EXT. DIN7980	14
002	617.12025.86	SCREW DIN931	14
003	57.02066.00	ENGINE SUPPORT	1
004	57.02068.00	ENGINE SUPPORT	1
005	57.02069.00	ENGINE SUPPORT	1
006	57.02067.00	ENGINE SUPPORT	1
007	57.02070.00	SHOCK ABSORBER	4
008	720.12000.66	NUT DIN985	8

TRANSMISSION INCHING PEDAL

FIGURE	REFERENCE	DENOMINATION	AMOUNT
019	104.08000.00	WASHER D8	2
020	603.08025.86	SCREW DIN933	2

TRANSMISSION

DIFFERENTIAL (STEERING DRIVE AXLE)

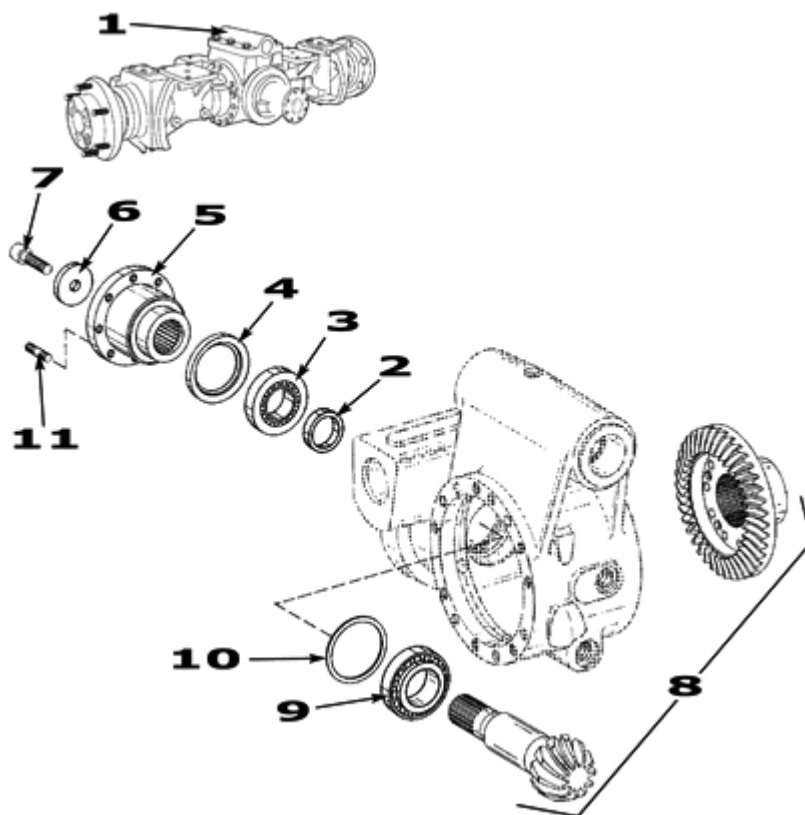


FIGURE	REFERENCE	DENOMINATION	AMOUNT
001	57.03800.00	REAR AXLE	1
002	ZF0730162821	RING 5,60 MM	1
002	ZF0730162822	RING 5,65 MM	1
002	ZF0730162824	RING 5,75 MM	1
002	ZF0730162825	RING 5,80 MM	1
002	ZF0730162826	RING 5,85 MM	1
002	ZF0730162827	RING 5,90 MM	1
002	ZF0730162828	RING 5,95 MM	1
002	ZF0730162829	RING 6,10 MM	1
002	ZF0730162830	RING 6,15 MM	1
002	ZF0730162834	RING 6,20 MM	1
002	ZF0730162836	RING 6,30 MM	1
002	ZF0730162838	RING 6,40 MM	1
002	ZF0730162839	RING 6,45 MM	1
002	ZF0730162840	RING 6,50 MM	1
002	ZF0730162841	RING 6,55 MM	1
002	ZF0730162842	RING 6,60 MM	1
002	ZF0730162844	RING 6,70 MM	1

TRANSMISSION

STEERING (STEERING DRIVE AXLE)

FIGURE	REFERENCE	DENOMINATION	AMOUNT
011	ZF0750145006	BUSH	2
012	ZF0750112077	BUSH	1
013	ZF0501209455	OFFSPRING	1

BODY CAB AND PROTECTORS (PART 1)

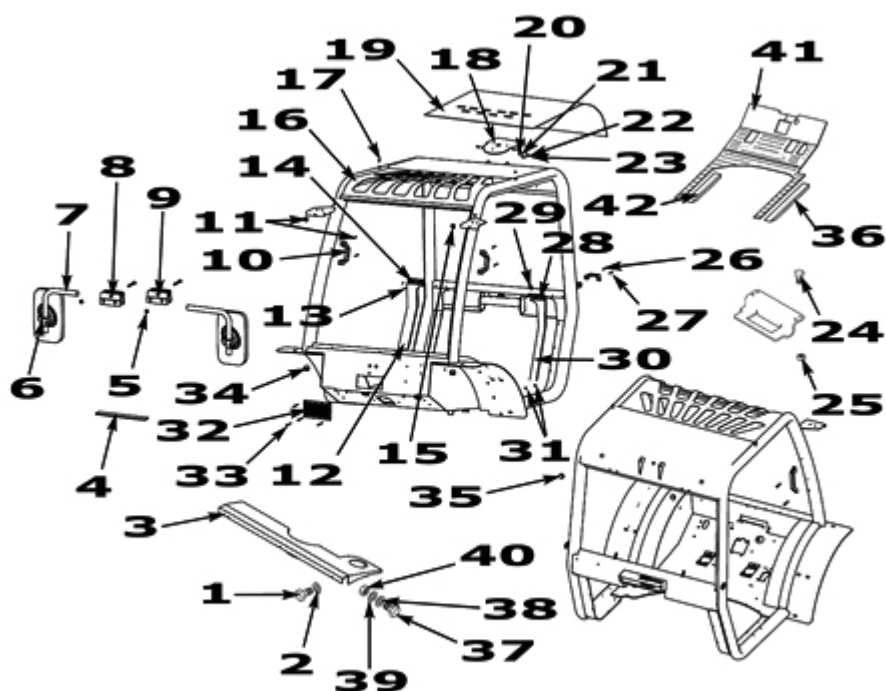


FIGURE	REFERENCE	DENOMINATION	AMOUNT
001	619.05016.86	SCREW DIN7971	3
002	112.05000.66	CIR-CLIP INT. DIN9021	3
003	57.08008.00	SUPPORT COVER	1
004	MA.20013.00	LOWER REAR JOINT	1
005	701.08000.66	NUT DIN934 M8X1,25	2
006	MA.10021.00	DRIVING MIRROR	2
007	MA.10022.00	FIXING SUPPORT	2
008	603.08035.86	SCREW DIN933	2
009	MA.20045.00		2
010	46.82054.00	KNOB	3
011	624.06018.66	SCREW DIN965	6
012	MA.20073.00	CARPET PANEL	1
013	MA.20019.00	SCREW	4
014	MA.20081.00	REAR TRIMMING FIXATION SUPPORT	2
015	MA.10025.00	GROMMET	3
016	57.08001.00	DRIVER PROTECTION	1
017	46.82083.00	PLASTIC CAP	2
018	70.08106.00	SUPPORT	1

CLICK HERE TO **DOWNLOAD** THE COMPLETE MANUAL

- Thank you very much for reading the preview of the manual.
- You can download the complete manual from: www.heydownloads.com by clicking the link below



- Please note: If there is no response to CLICKING the link, please download this PDF first and then click on it.

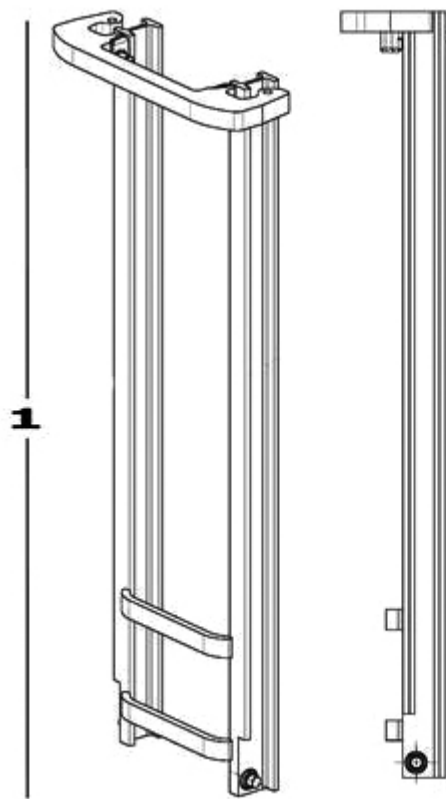
CLICK HERE TO **DOWNLOAD** THE COMPLETE MANUAL

BODY
REAR CABIN LOCK

FIGURE	REFERENCE	DENOMINATION	AMOUNT
019	711.04000.66	NUT DIN982	2

MACHINE OPERATION TOOLS

INTERNAL MAST (DUPLEX)



DUPLEX

ST. : 3'3 m

OP. : 4 m

USA

OP. : 3'3 m, 4 m

FIGURE	REFERENCE	DENOMINATION	AMOUNT
001	EL.50002.00		1
001	EL.50010.00		1

MACHINE OPERATION TOOLS

GENERAL MAST (TRIPLEX) PART 3

FIGURE	REFERENCE	DENOMINATION	AMOUNT
041	EL.50068.00		2
043	EL.50069.00		1

MACHINE OPERATION TOOLS

4TH. VALVE (OPTIONAL TRIPLEX) PART 2

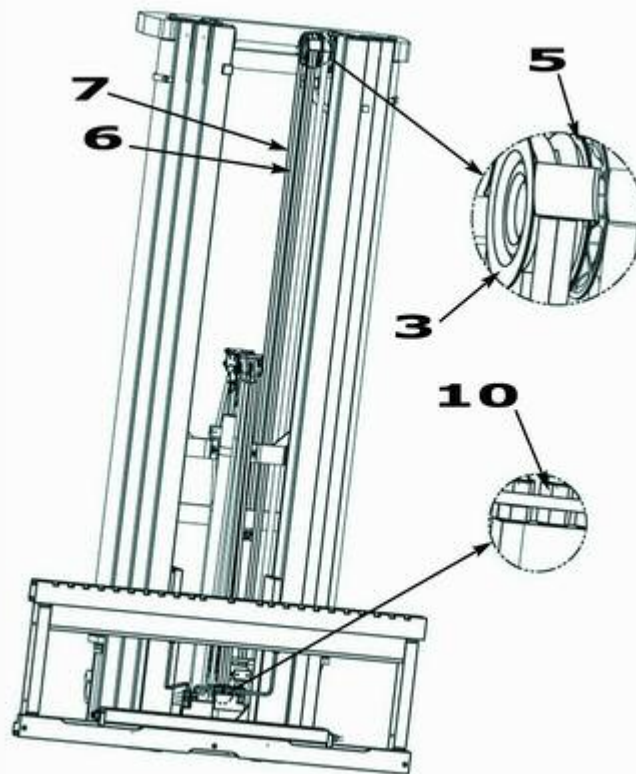


FIGURE	REFERENCE	DENOMINATION	AMOUNT
003	EL.50057.00		1
005	EL.40120.00		1
006	EL.50023.00		1
007	EL.50023.00		1
010	EL.30055.00	NIPPLE M/M	2

HYDRAULIC DIAGRAM INSTALLATION TRANSMISSION (PART 2)

FIGURE	REFERENCE	DENOMINATION	AMOUNT
032	57.10315.00	TUBE	1
033	57.10316.00	RACORD	6
034	57.10317.00	RACORD	2
035	12.10307.00	NIPPLE M/M M12X1,5-M10X1	1
036	57.10318.00	TUBE	1
038	57.10321.00	TUBE	1
041	57.10300.00	TRANSMISSION HOSE KIT	1

ELECTRIC INSTALLATION BATTERY

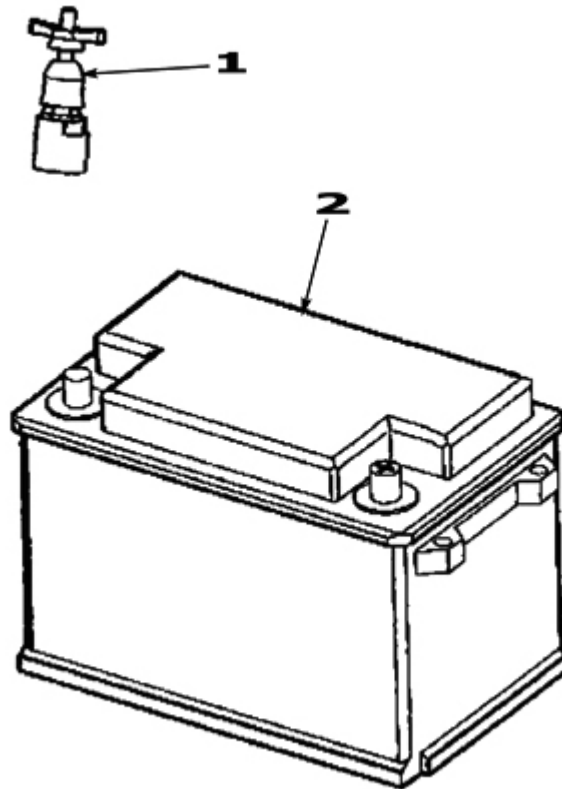


FIGURE	REFERENCE	DENOMINATION	AMOUNT
001	20.11007.00	BATTERY NEG.DISCONNECTOR	1
002	64.11110.00	BATTERY	1

CLICK HERE TO **DOWNLOAD** THE COMPLETE MANUAL

- Thank you very much for reading the preview of the manual.
- You can download the complete manual from: www.heydownloads.com by clicking the link below



- Please note: If there is no response to CLICKING the link, please download this PDF first and then click on it.

CLICK HERE TO **DOWNLOAD** THE COMPLETE MANUAL