

PARTS MANUAL

CLICK HERE TO **DOWNLOAD** THE COMPLETE MANUAL

- Thank you very much for reading the preview of the manual.
- You can download the complete manual from: www.heydownloads.com by clicking the link below



- Please note: If there is no response to CLICKING the link, please download this PDF first and then click on it.

CLICK HERE TO **DOWNLOAD** THE COMPLETE MANUAL

ENGINE (ISUZU 4LE2) PUMP COUPLING

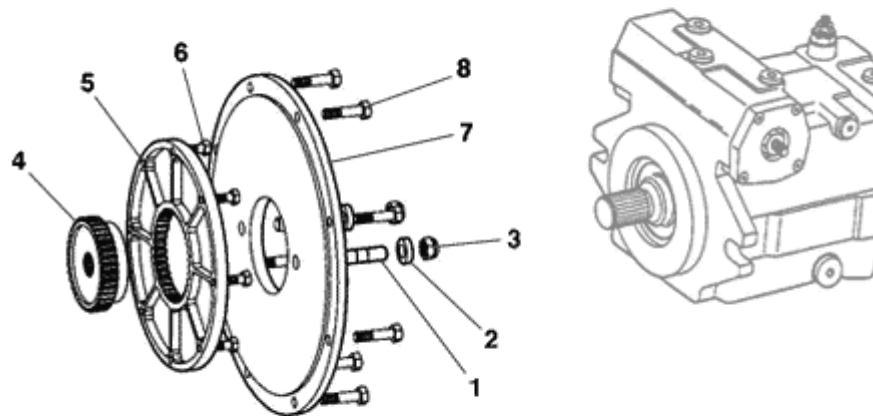


FIGURE	REFERENCE	DENOMINATION	AMOUNT
001	43.40129.00	STUD DIN939	2
002	15.30110.00	WASHER 14X7X26	2
003	711.14000.66	NUT DIN982 M14 8.8 K	2
004	63.01002.01	COUPLING 13/32 PITCH Z=15	1
005	62.20912.01	COUPLING D241X20	1

03. TRANSMISSION INCHING PEDAL

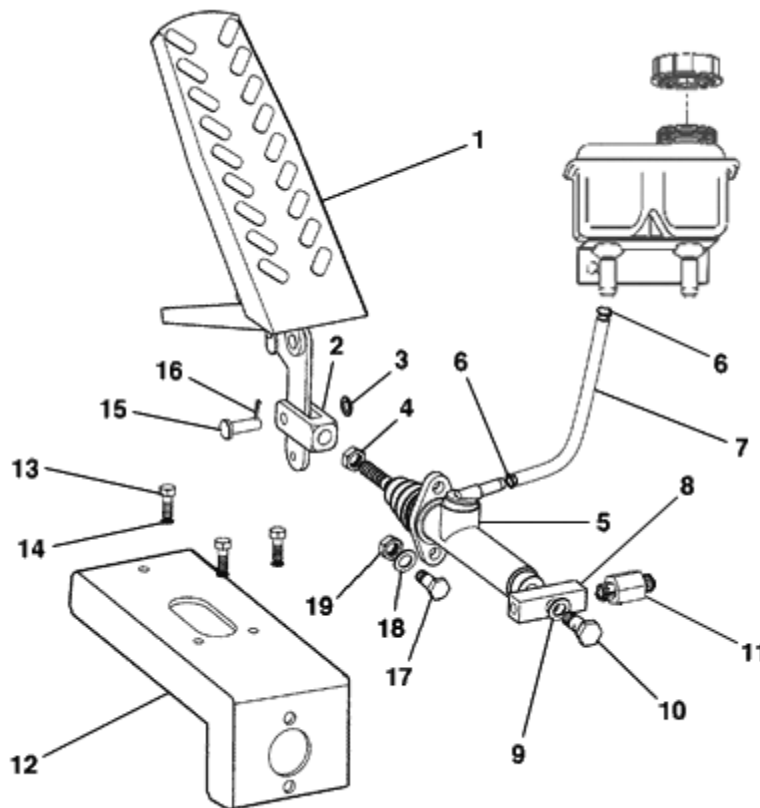


FIGURE	REFERENCE	DENOMINATION	AMOUNT
001	43.80250.01	PEDAL EMBR. 55X116X250	1
002	20.05040.00	ART. FORK	1
003	101.08000.66	WASHER DIN125 D8	1
004	701.10000.66	NUT DIN934 M10x1.5	1
005	20.03070.00	FOOT BRAKING PUMP D15.8X38 OIL MIN.	1

TRANSMISSION (FRONT AXLE)

RING & PINION

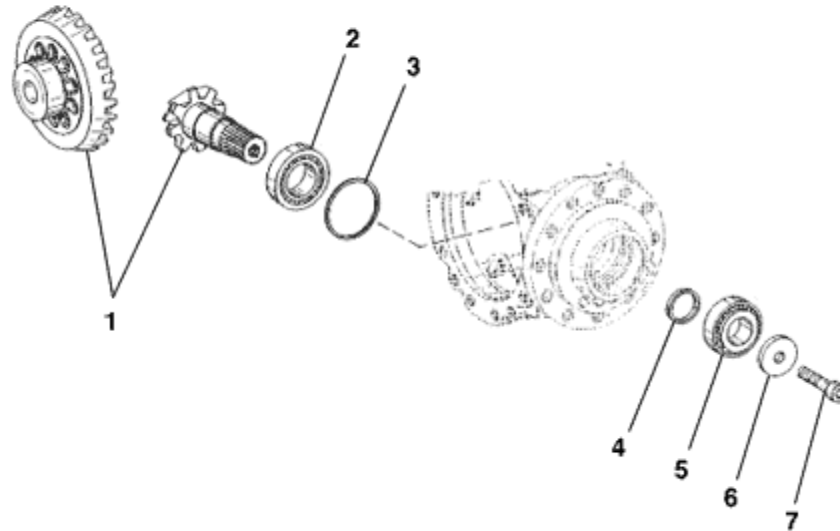


FIGURE	REFERENCE	DENOMINATION	AMOUNT
001	ZF4472204007	BEVEL GEAR SET	1
002	ZF0750117443	BEARING	1
003	ZF0730101584	WASHER 1,80 MM	1
003	ZF0730101585	WASHER 1,60 MM	1
003	ZF0730107374	WASHER 1,65 MM	1
003	ZF0730107378	WASHER 1,90 MM	1
003	ZF0730107375	WASHER 1,70 MM	1
003	ZF0730107376	WASHER 1,75 MM	1
003	ZF0730107377	WASHER 1,85 MM	1
003	ZF0730107358	WASHER 0,80 MM	1
003	ZF0730107359	WASHER 0,85 MM	1
003	ZF0730107360	WASHER 0,90 MM	1
003	ZF0730107361	WASHER 0,95 MM	1
003	ZF0730107362	WASHER 1,00 MM	1
003	ZF0730107363	WASHER 1,05 MM	1
003	ZF0730107364	WASHER 1,10 MM	1

TRANSMISSION (FRONT AXLE) BRAKE DISC (PART 2)

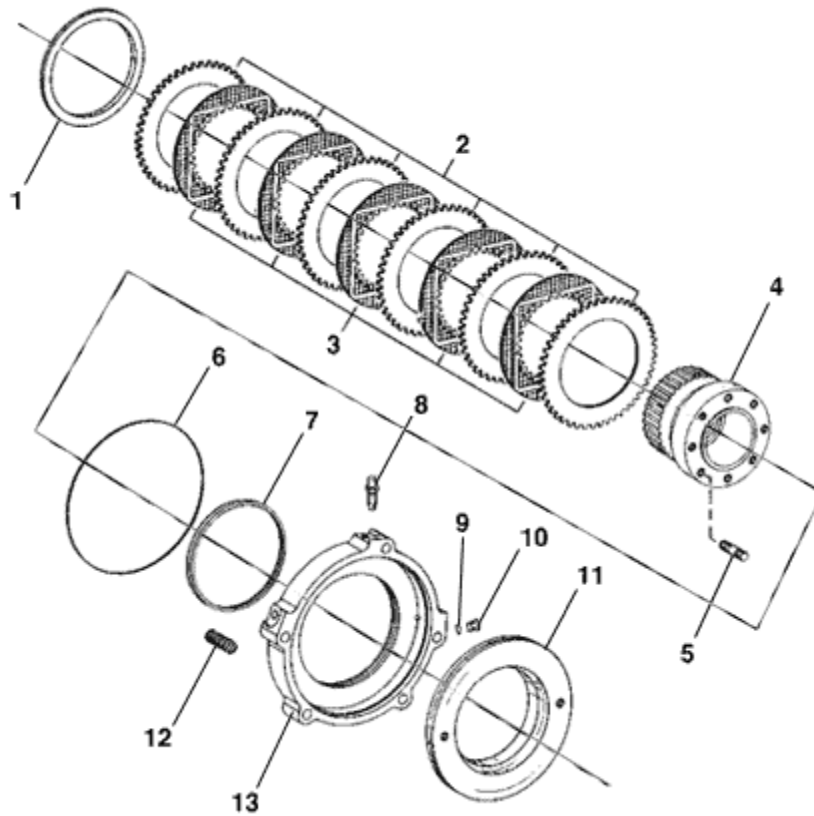


FIGURE	REFERENCE	DENOMINATION	AMOUNT
001	ZF4472330146	END SHIM	1
002	ZF4143351034	CLUTCH DISC 2,80 MM	6
002	ZF4143351035	CLUTCH DISC 3,00 MM	6
002	ZF4143351036	CLUTCH DISC 3,20 MM	6
003	ZF4143251005	INTERIOR CLUTCH DISC	5
004	ZF4472330145	INPUT FLANGE	1
005	ZF0636610083		8

TRANSMISSION (FRONT WIDE AXLE) BRAKE DISC (PART 1)

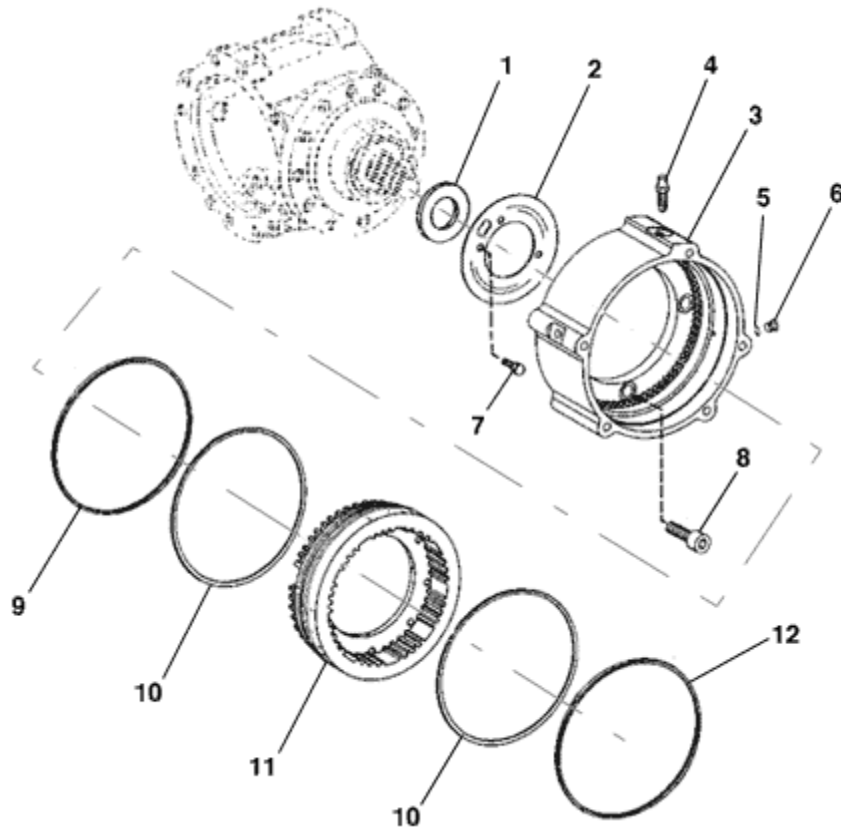


FIGURE	REFERENCE	DENOMINATION	AMOUNT
001	ZF0730004473	WASHER	1
002	ZF4472230022	OIL DAM	1
003	ZF4472330136	BRAKE HOUSING	1
004	ZF0501209067	CAP	2
005	ZF0634801205	WASHER	4
006	ZF0636302024	SCREW PLUG	4

TRANSMISSION (REAR AXLE) STEERING AXLE SUPPORT

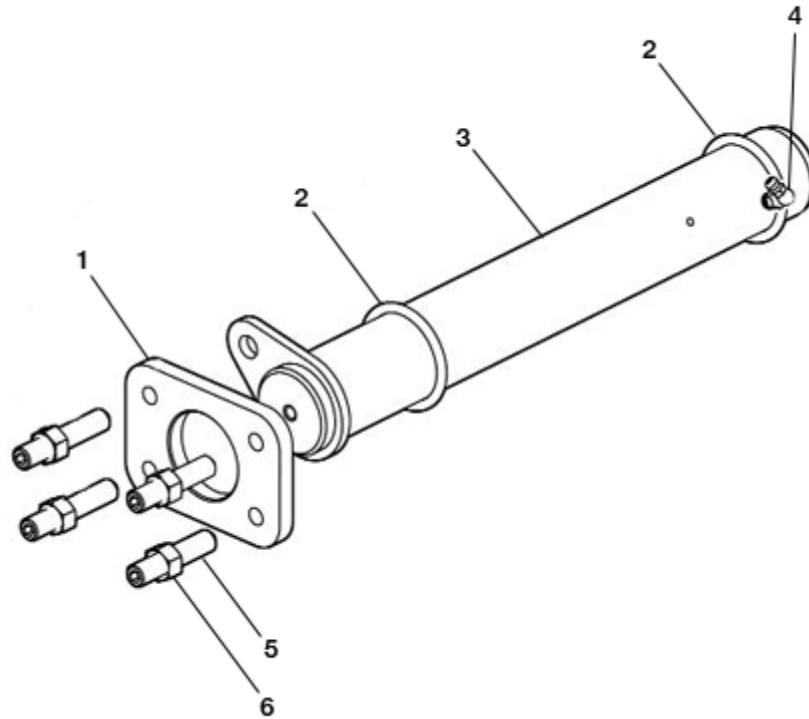


FIGURE	REFERENCE	DENOMINATION	AMOUNT
001	57.04114.00	PLATE	1
002	201.05153.50	O-RING DIN3770	2
003	57.03853.01	SHAFT CYL/CYL	1
004	92.08000.33		1
005	612.12060.86	BOLT DIN914 M12x60	4
006	701.12000.66	NUT DIN934 M12x1.75	4

FRONT WHEELS (OPTIONALS) ON ROAD

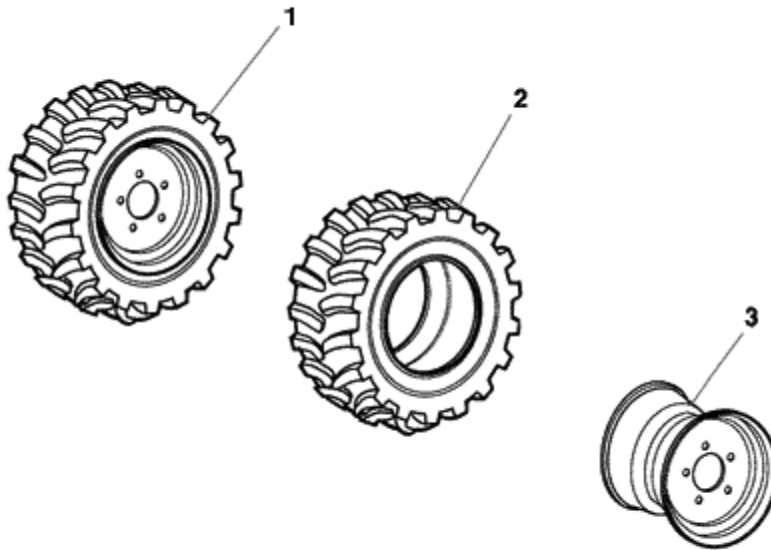


FIGURE	REFERENCE	DENOMINATION	AMOUNT
001	20.07037.00	WHEEL RIM	2
002	43.00913.10	TYRE LS	2
003	43.00911.00	WHEEL RIM	2

BODY SHEETS (PART 3)

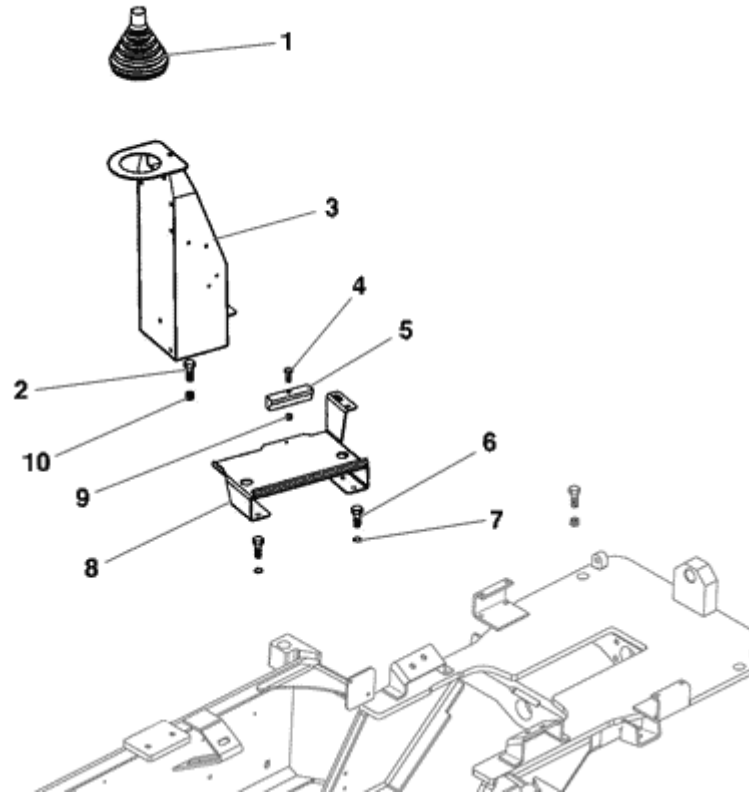


FIGURE	REFERENCE	DENOMINATION	AMOUNT
001	43.50349.00	DUST PROTECTOR	1
002	603.12025.86	SCREW DIN933	2
003	12.10011.00	FIXING SUPPORT	1
004	604.06030.86	SCREW DIN931	1
005	20.11101.00	FIXATION SUPPORT 2X10X70	1

OPENED CAB OPENED CAB (PART 3)

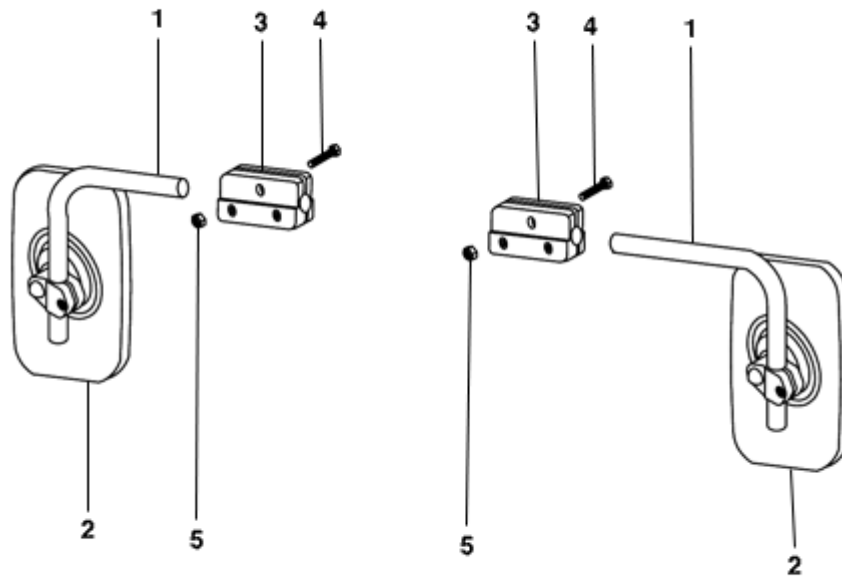


FIGURE	REFERENCE	DENOMINATION	AMOUNT
001	12.08012.00	DRIVIMR MIRROR SUPPORT	2
002	12.08011.00	REARVIEW MIRROR	2
003	MA.20045.00	MIRROR FIXING FLANGE	2
004	603.08035.86	SCREW DIN933	2
005	701.08000.66	NUT DIN934 M8x1,25	2

HALF-CLOSED CAB HALF-CLOSED CAB (PART 3)

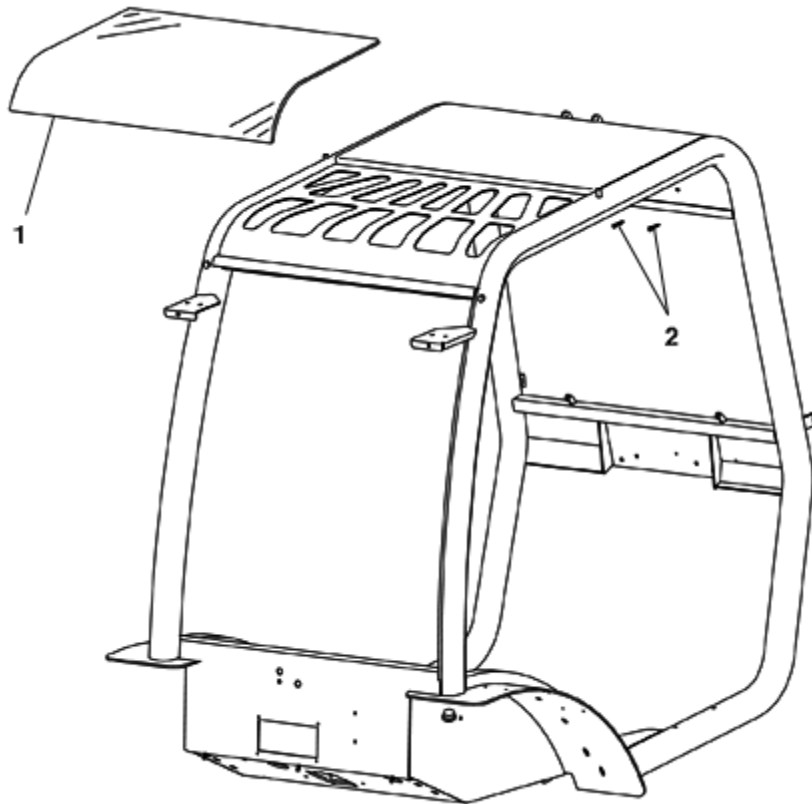


FIGURE	REFERENCE	DENOMINATION	AMOUNT
001	MA.10044.00	GLASS	1
002	MA.20019.00	SCREW DIN7984	4

CLICK HERE TO **DOWNLOAD** THE COMPLETE MANUAL

- Thank you very much for reading the preview of the manual.
- You can download the complete manual from: www.heydownloads.com by clicking the link below



- Please note: If there is no response to CLICKING the link, please download this PDF first and then click on it.

CLICK HERE TO **DOWNLOAD** THE COMPLETE MANUAL

CLOSED CAB
CLOSED CAB (PART 5)

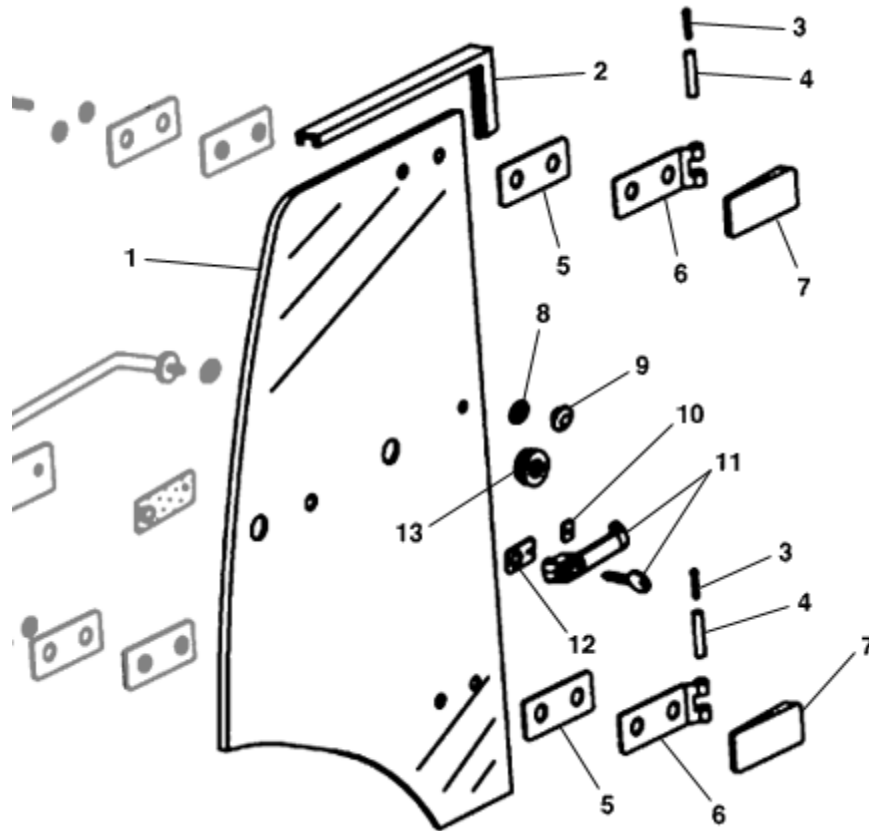


FIGURE	REFERENCE	DENOMINATION	AMOUNT
001	MA.20031.00	LEFT DOOR GLASS	1
001	MA.20060.00	RIGHT DOOR GLASS	1
002	MA.20055.00	WINDSCREEN RUBBER PROFILE 8769 L=5M	1
003	901.06000.33	GREASER DIN71412-A	4
004	MA.20058.00	PIN HINGE	4
005	MA.10054.00	JUNTA GOMA REC. BISAGRA	8
006	MA.20056.00	HINGE	4
007	MA.20057.00	HINGE	4
008	MA.10050.00	RUBBER WASHER 20X40	4
009	MA.10027.00	INSERTED NUT M8	2
010	MA.10052.00	RUBBER GASKET	2
011	MA.10045.00	LEFT EXTERIOR LOCK WITH KEY	1
011	MA.10046.00	RIGHT LOCK WITHOUT KEY	1
012	MA.10051.00	RUBBER GASKET	2
013	MA.20044.00	FIXATION DOOR KIT	2

MAST DUPLEX 2.6M
FORK CARRIAGE 1600/1260MM

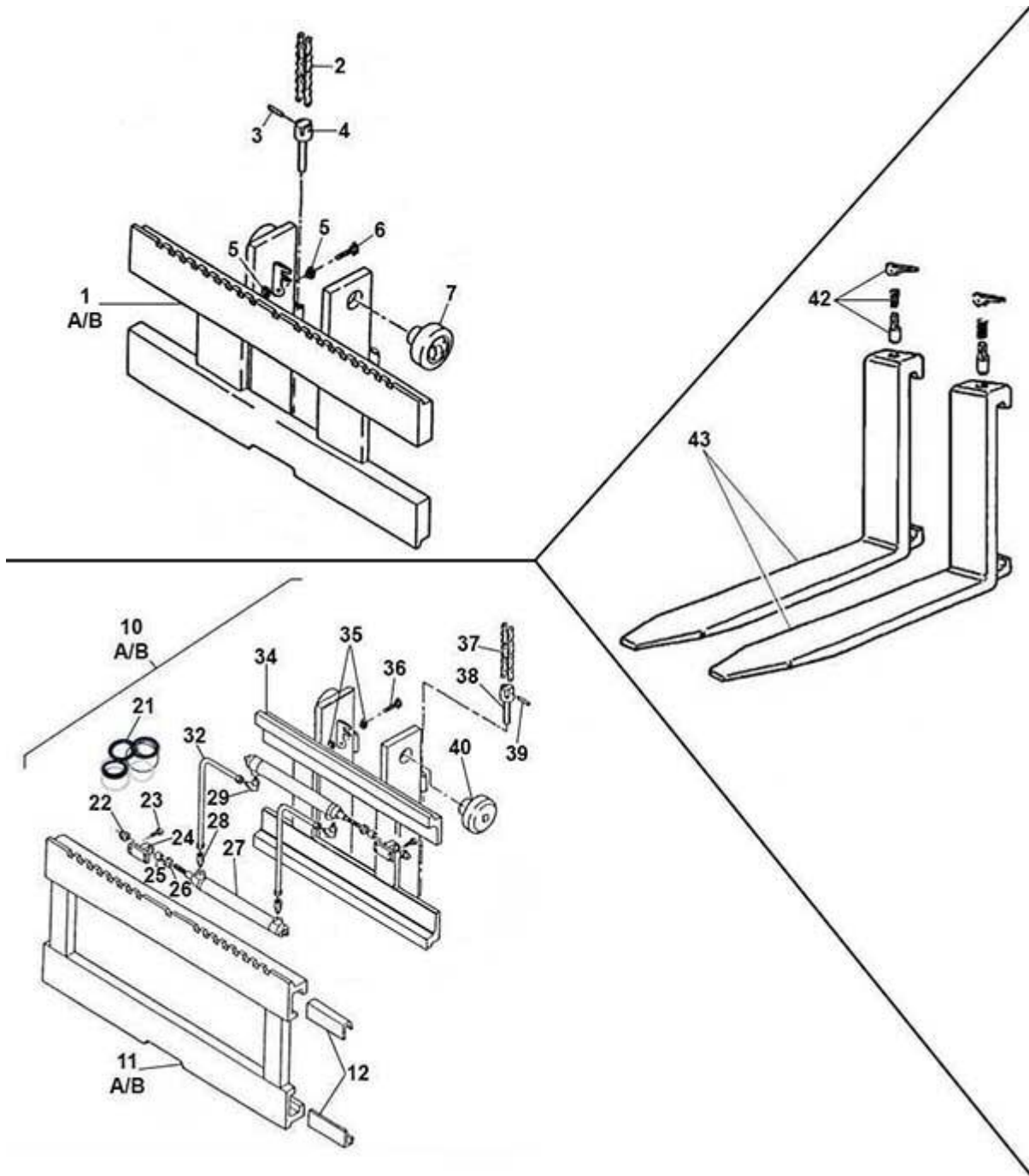


FIGURE	REFERENCE	DENOMINATION	AMOUNT
001A	20.09020.00	FIXED FORK CARRIAGE 1260MM	1
001B	20.09022.00	FIXED FORK CARRIAGE 1600MM	1
002	EL.30035.00	CHAIN 2.6M	2
003	EL.10082.00	CHAIN PIN BL634	2
004	EL.10083.00	CHAIN ADJUSTABLE TENSOR FOR BL634	2

MAST 3.6M DUPLEX KINEMATIC LIFTING

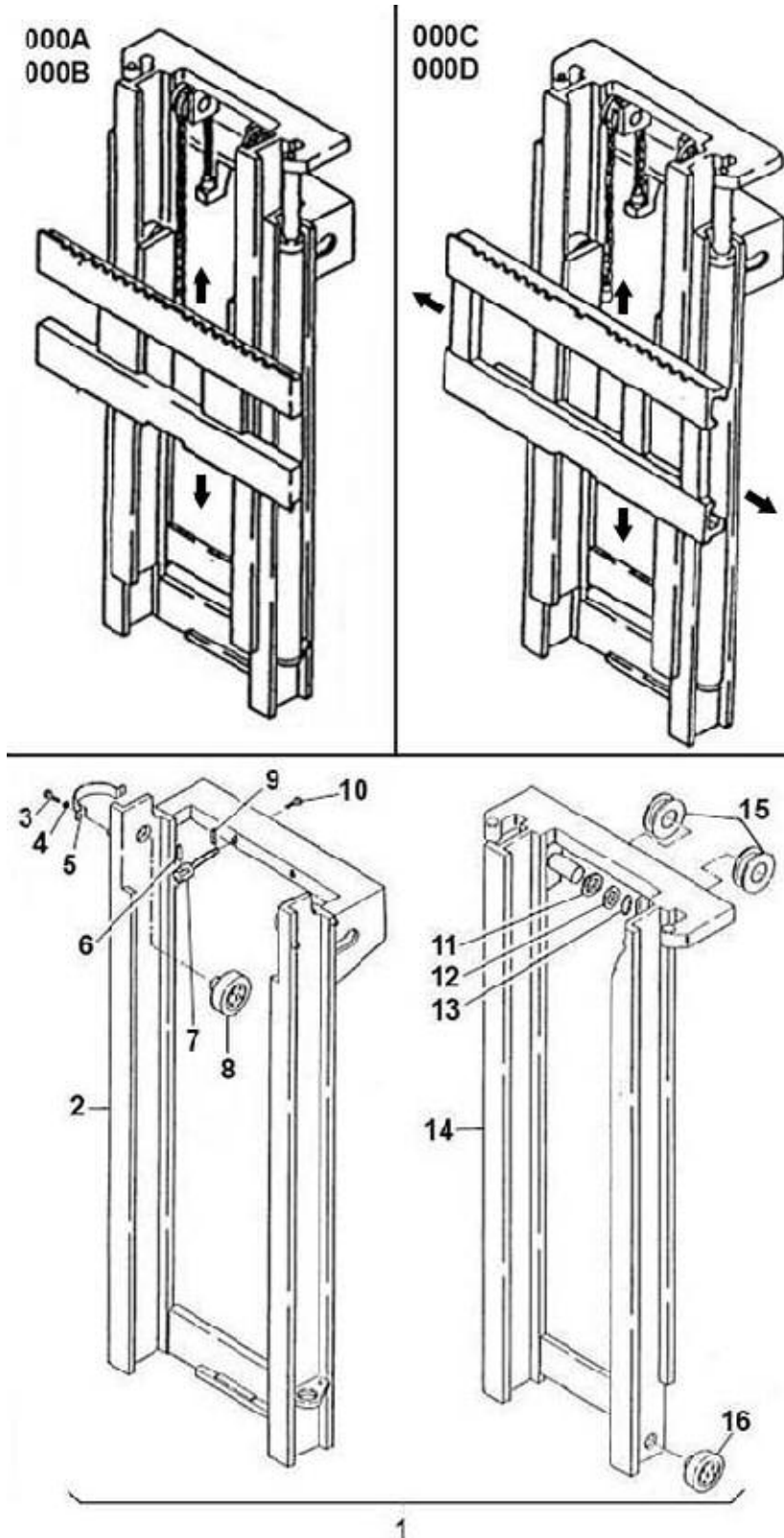


FIGURE	REFERENCE	DENOMINATION	AMOUNT
--------	-----------	--------------	--------

MAST 4.5M DUPLEX

LIFTING CYLINDER 4.5M

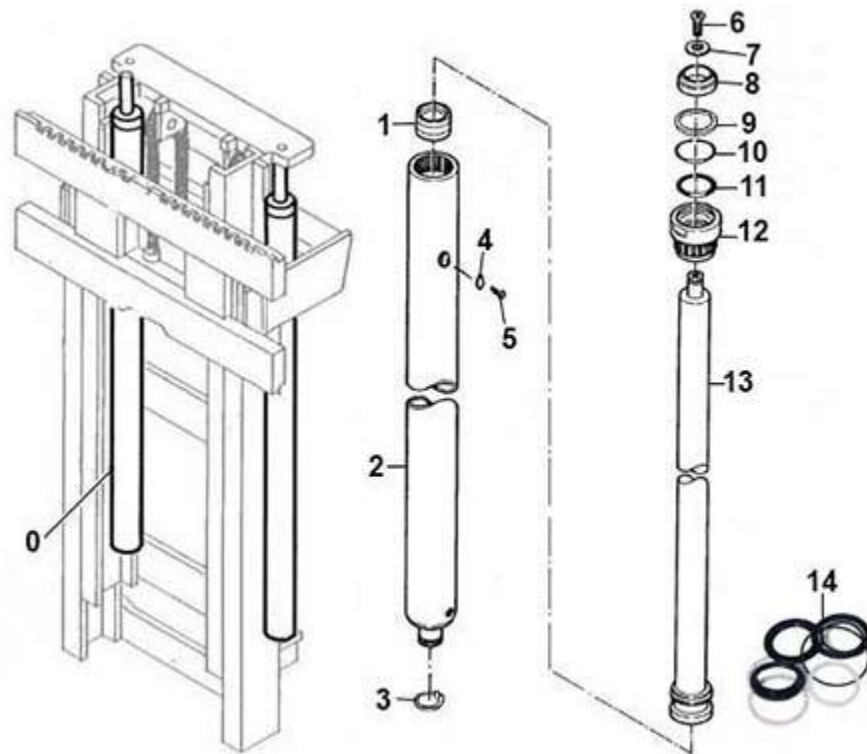


FIGURA	REFERENCIA	DENOMINACIÓN	CANTIDAD
000	EL.30017.00	LIFTING CYLINDER 4.5M	2
001	EL.30022.00	GUIDE RING	1
002	EL.30021.00	CYLINDER BODY 4.5M	1
003	EL.30033.00	ANILLO DIN471	2
004	EL.10049.00	WASHER 6x11x1.5	1
005	EL.10048.00	SCREW DIN933 D6X10	1
006	EL.10042.00	SCREW DIN933 = 603.12025.86	1
007	EL.10043.00	WASHER	1
008	EL.30029.00	RASCADOR	1
009	EL.30030.00	SEAL DIN6505	1
010	EL.30031.00	ANILLO OBTURADOR	1
011	EL.30028.00	JUNTA DIN3770	1
012	EL.30027.00	CAP	1
013	EL.30026.00	SPINDLE	1
014	EL.30032.00	JOINTS KIT LIFTING CYLINDER	1

007	EL.30005.00	BEARING DIN618	8
008	EL.30007.00	CHAIN SUPPORT	2
009	EL.30012.00	SCREW	2
010	EL.30130.00	INTERMEDIATE MAST 4.3M	1
011	EL.10108.00	PULLEY	2
012	EL.10136.00	HALF PULLEY	1
013	EL.30068.00	PULLEY BOLT PIPE	1
014	EL.10132.00	RING	1
015	EL.30005.00	BEARING DIN618	8
016	EL.30062.00	SCREW	1
018	EL.10155.00	WASHER ADJUST.	1
019	EL.10225.00	WASHER ADJUST. D40XD50X0.5MM	1
020	EL.10034.00	O RING DIN471 E40	2
021	EL.30132.00	INNER MAST 4.3M	1
022	EL.30131.00	SIDE CYLINDER CHAIN 4.3M	2
023	EL.10082.00	CHAIN PIN BL634	6
024	EL.10083.00	CHAIN ADJUSTABLE TENSOR FOR BL634	2
025	EL.10078.00	NUT	1
026	EL.30069.00	BAR FOR CYLINDER LOCK	2
027	EL.10080.00	SCREW	4
028	EL.30067.00	CYLINDER CLAMP	1
029	EL.30005.00	BEARING DIN618	8

MAST 5.4M TRIPLEX LIFTING CYLINDERS

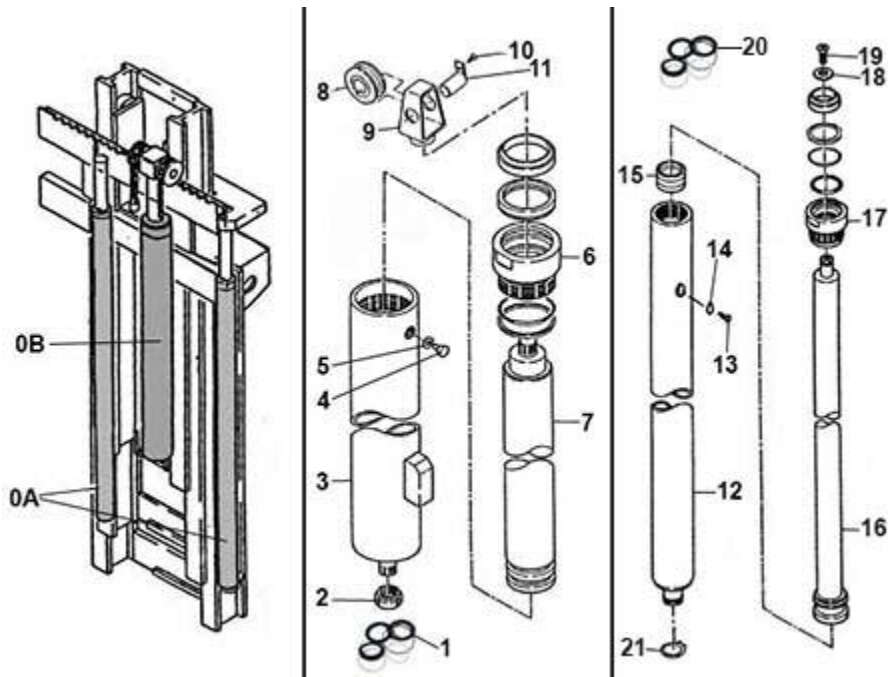


FIGURA	REFERENCIA	DENOMINACIÓN	CANTIDAD
000A	EL.30086.00	SIDE CYLINDER 5.4M	2
000B	EL.30071.00	CENTRAL CYLINDER 5.4M	1
001	EL.30077.00	CENTRAL CYLINDER GASKET KIT	1
002	EL.30074.00	NUT	1
003	EL.30073.00	CAJA CILINDRO	1
004	EL.30075.00	EJE CIL/CPA POLEA	1
005	EL.30076.00	WASHER	1
006	EL.30082.00	NUT	1
007	EL.30079.00	SPINDLE	1
008	EL.30091.00	PULLEY	1
009	EL.30092.00	CHAIN HEAD	1
010	EL.30094.00	SCREW DIN933	1
011	EL.30093.00	AXLE CIL/CPA	1
012	EL.30088.00	CYLINDER S/E	1
013	EL.10048.00	SCREW DIN933 D6X10	1
014	EL.10049.00	WASHER 6x11x1.5	1
015	EL.30027.00	CAP	1
016	EL.30090.00	SPINDLE CYLINDER 5.4M	1
017	EL.30027.00	CAP	1
018	EL.10043.00	WASHER	1

ELECTRIC INSTALLATION LIGHTS WIRING HARNESS

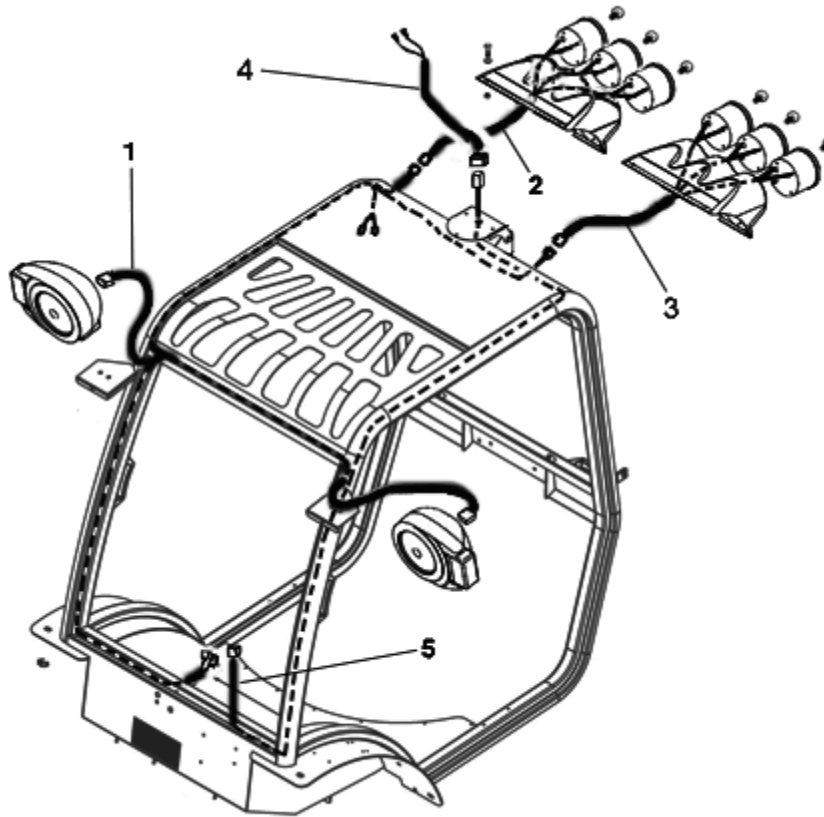


FIGURA	REFERENCIA	DENOMINACIÓN	CANTIDAD
001	12.11010.00	MAIN LIGHTS WIRING HARNESS	1
002	12.11011.00	REAR RIGHT LIGHTS WIRING HARNESS	1
003	12.11012.00	REAR LEFT LIGHTS WIRING HARNESS	1
004	10.14304.00	LENGTH ELEC. INSTAL.	1
005	10.14301.00	LENGTH ELEC. INSTAL.	1

018	20.10236.00	TUBE	1
019	20.10252.00	NIPPLE	1

10. HYDRAULIC DIAGRAM INSTALLATION TRANSMISSION

FIGURA	REFERENCIA	DENOMINACIÓN	CANTIDAD
020	20.10285.00	ELBOW C90MO/M NIPPLE	1
021	57.10315.00	HYDRAULIC HOSE R1T1/4 760 TL - C90 TL	1
023	20.10225.00	TUBE	1
024	52.00109.00	NIPPLE	1
025	70.10239.00	FITTING M/M M16X1,5 - 1/4GAS	1
027	57.10314.00	HYDRAULIC HOSE R1T1/4 1010 TL-C90 TL 1/	1
028	20.10274.00	THREE-WAY UNION M/TL/M	1
029	20.10273.00	ACOP. MAN. M14X1.5	1
030	20.10241.00	NIPPLE M/M	1
031	70.10210.00	FITTING M/M M26xM22	1
032	20.10272.00	ACOP. MAN. M12X1.5	1
033	20.10287.00	TUBE	1
034	20.10288.00	NIPPLE	1
035	57.10316.00	FITTING M/M M14X1.5-M12X1.5	2
036	57.10317.00	FITTING M/M M14X1.5-7/16-20H UNF	1
037	20.10290.02	TRANSMISSION PIPES KIT	1
037	20.10290.02	TRANSMISSION PIPES KIT	1
038	57.05010.00	BRAKE PUMP	1
039	20.03070.00	FOOT BRAKING PUMP D15.8X38 OIL MIN.	1
040	20.02051.01	RADIATOR	1
041	20.05005.00	SELECTION VALVE 3 WAYS	1
042	20.03270.00	HYDR. PUMP	1
043	60.20101.00	COMPLETE OIL FILTER	1
044	20.03280.00	HYDRAULIC ENGINE REXROTH	1
045	20.10050.01	HYDRAULIC TANK	1

ACCESSORIES SAUER PUMP COUPLING

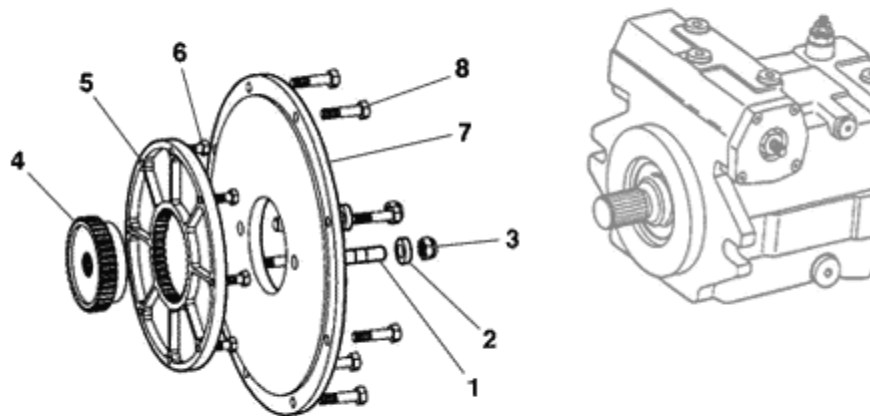


FIGURA	REFERENCIA	DENOMINACIÓN	CANTIDAD
001	43.40129.00	STUD DIN939	2
001	43.40129.00	STUD DIN939	2
002	15.30110.00	WASHER 14X7X26	2
002	15.30110.00	WASHER 14X7X26	2
003	711.14000.66	NUT DIN982 M14 8.8 K	2
003	711.14000.66	NUT DIN982 M14 8.8 K	2
004	63.01002.00	COUPLING GEA/GEA	1
004	63.01002.00	COUPLING GEA/GEA	1
006	601.08035.86	SCREW DIN912	8
006	601.08035.86	SCREW DIN912	8
007	63.01003.03	coupling D102XD356X24	1
007	63.01003.03	coupling D102XD356X24	1
008	604.10040.86	SCREW DIN931	8
008	604.10040.86	SCREW DIN931	8



009	20.03105.01	1
009	20.03105.01	1

FINISHINGS

STICKERS & PLATES (PART 4)



FIGURA	REFERENCIA	DENOMINACIÓN	CANTIDAD
001	43.01170.02	PLATE AD. INDI	1
002	02.00774.00	PLATE AD. INDI	1
003	58.01353.01	PLATE AD. INDI	1
004	09.12013.00	ADHESIVE	1
005	45.01352.00	PLATE AD. INDI	2

ACCESSORIES
BUCKET STANDARD
BASTIDOR: 74433

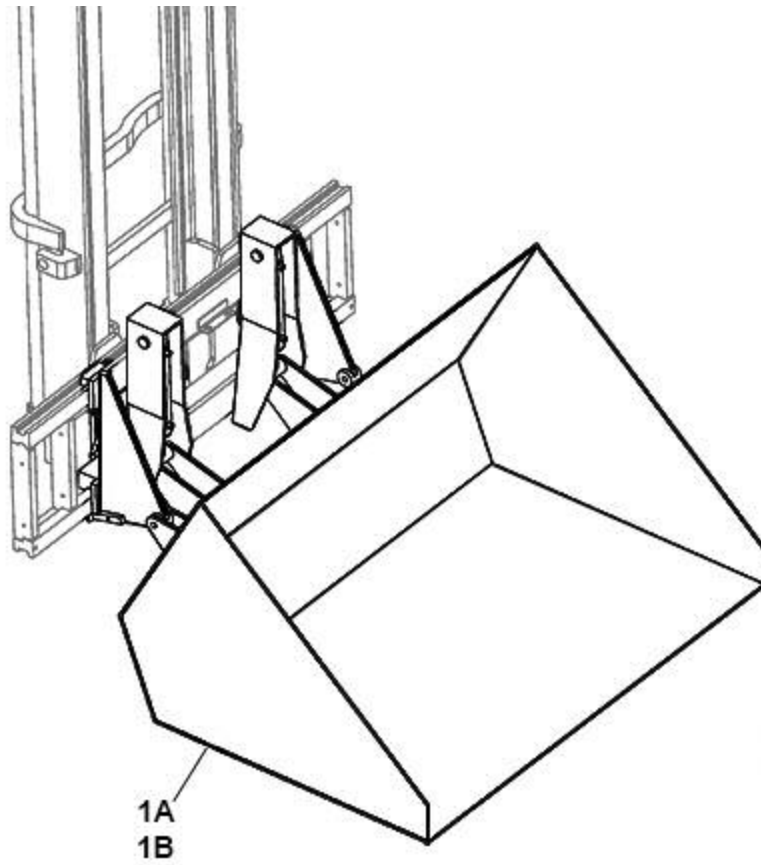


FIGURA	REFERENCIA	DENOMINACIÓN	CANTIDAD
001A	20.09110.01	400L SHOVEL FEMII	1
001B	20.09100.02	600L SHOVEL FEMII	1

CLICK HERE TO **DOWNLOAD** THE COMPLETE MANUAL

- Thank you very much for reading the preview of the manual.
- You can download the complete manual from: www.heydownloads.com by clicking the link below



- Please note: If there is no response to CLICKING the link, please download this PDF first and then click on it.

CLICK HERE TO **DOWNLOAD** THE COMPLETE MANUAL