

# Parts Manual

*Machine: X-Ergo*

*Manual No: 159254*

*Edition: 2013B*

Arbetsledarinstruktion  
Works Manager Instructions  
Betriebsleiterinstruktion  
Instruction de chef d'atelier

Serviceföreskrifter  
Service Instructions  
Wartungsanweisung  
Instructions d'entretien

Förarinstruktion  
Driver Instruction  
Fahrerinstruktion  
Instruction de conducteur

*Edition: 2013B* Chassi  
Chassis  
Rahmenteile  
Châssis

*Edition: 2010B* Drivenhet  
Drive Unit  
Antrieb  
Unité de traction

*Edition: 2012B* Mast  
Mast  
Mast  
Mât

*Edition: 2010B* Styrning  
Steering  
Lenkung  
Commande et direction

*Edition: 2013B* Hydraulsystem  
Hydraulic System  
Hydraulikanlage  
Unité Hydraulique

*Edition: 2012B* Lyftcylinder  
Lift Cylinder  
Hubzylinder  
Vérin de levage

*Edition: 2013B* Elsystem  
Electrical System  
Elektrische Anlage  
Système Électrique

*Edition: 2008B* Fart- och bromssystem  
Drive and Brake system  
Fahr- und Bremsesystem  
Système Vitesse Et Freinage

*Edition: 2010B* Övrigt  
Miscellaneous  
Sonstiges  
Divers

CLICK HERE TO **DOWNLOAD** THE COMPLETE MANUAL

- Thank you very much for reading the preview of the manual.
- You can download the complete manual from: [www.heydownloads.com](http://www.heydownloads.com) by clicking the link below



- Please note: If there is no response to CLICKING the link, please download this PDF first and then click on it.

CLICK HERE TO **DOWNLOAD** THE COMPLETE MANUAL



**Länkhjul X-Ergo - Castor wheel X-Ergo**  
**Lenkrolle X-Ergo - Roulette pivot X-Ergo**

Pos.	Beskrivning	Designation	Bezeichnung	Dénomination	Qty	Part No.
1	Hjulbygel	Castor fork	Radträger	Sup. roue directrice	1	104687
2	Vulkollanhjul	Vulkollan wheel	Vulkollan rad	Roue vulkollan	2	104684
	Länkhjul,Kpl antistat	Castorwheel,Cmpl antistat			2	123598
3	Skruv	Screw	Schraube	Vis	1	104685
4	Mutter	Nut	Mutter	Ecrou	1	104686
5	Mellanlägg	Shim, 5mm	5.0 M Einstellscheibe	Entretoise	1	053299
	Mellanlägg	Shim, 2.5mm	2.5 M Einstellscheibe	Entretoise	1	057683
6	Hex head screw				4	010271
7	Bricka, Nord-Lock	Washer, Nord-Lock	Scheibe	Rondelle	4	08534
1001	Länkhjul, kpl <i>Including pos. 1-4</i>	Castor wheel, assy.	Lenkrolle, kmpl.	Roulette pivot., cmpl.	1	104376

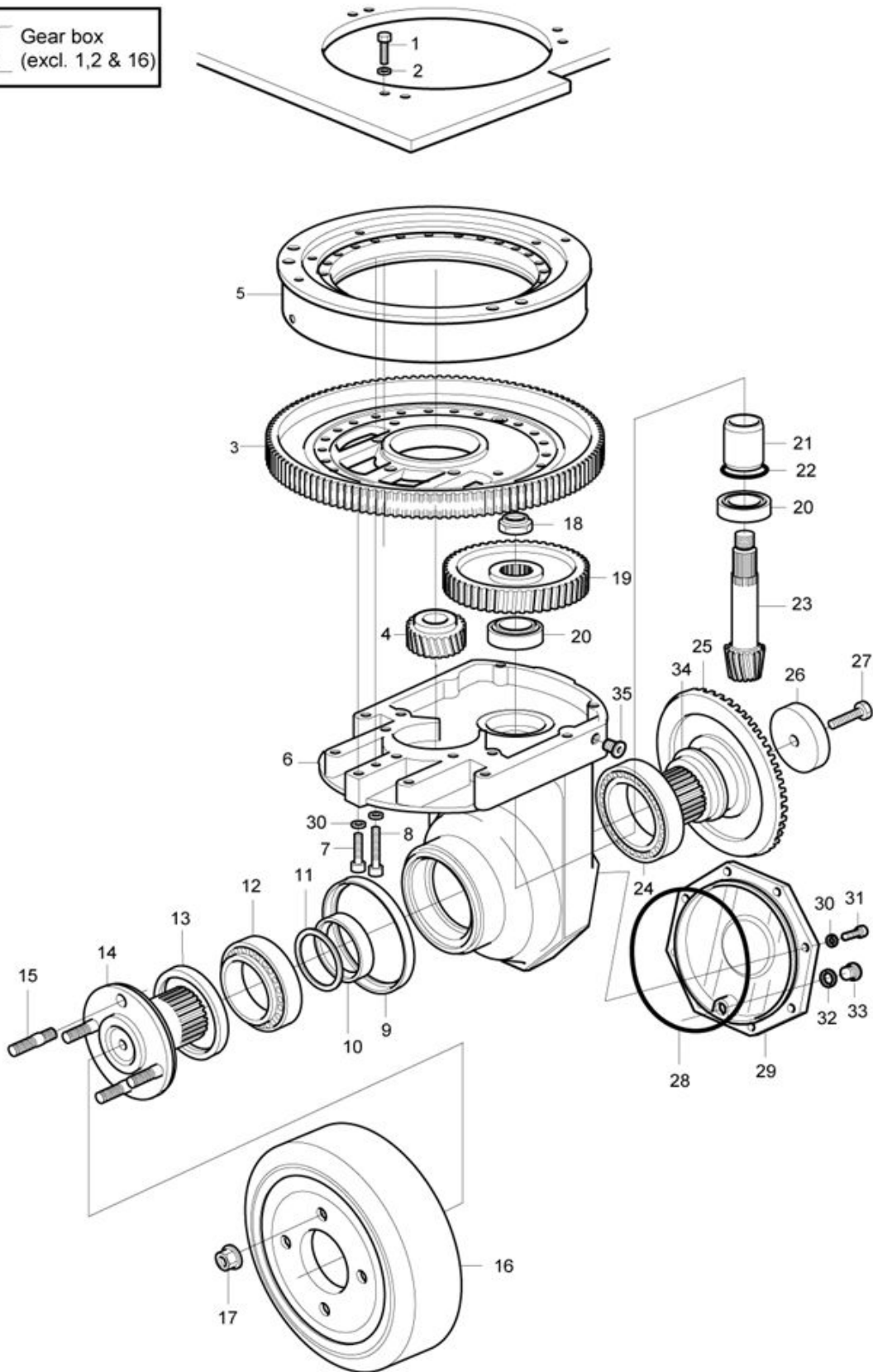
**Maskinskylt X-Ergo - Machine plate X-Ergo**

**Maschinenschild X-Ergo - Identificat. de mach. X-Ergo**

Pos.	Beskrivning	Designation	Bezeichnung	Dénomination	Qty	Part No.
1	Maskinskylt -06w36, USA	Machine Plate	Typenschild	Identificat. de mach.	1	059030
2	Maskinskylt, CE -06w36	Machine Plate, CE,Steel	Typenschild, CE, Blech	Identificat. de mach., CETôle	1	060203
	Maskinskylt -06w36, Rus	Machine Plate	Typenschild	Identificat. de mach.	1	060214
	Maskinskylt -06w36, Italy, Portugal, Spain	Machine Plate	Typenschild	Identificat. de mach.	1	122155
3	Maskinskylt -06w36. Adjust.strad.legs	Machine plate	Typenschild	Identificat. de mach.	1	039900
4	Maskinskylt -06w36	Machine plate	Maschinenschild	Identificat. de machine	1	078655
	Maskinskylt -06w36. Italy, Portugal, Spain	Machine plate	Maschinenschild	Identificat. de machine	1	122157
5	Maskinskylt -06w36. Rus	Machine plate	Maschinenschild	Identificat. de machine	1	078915
	Maskinskylt -06w36. USA	Machine plate	Maschinenschild	Identificat. de machine	1	100842
6	Maskinskylt, h. stödb. 06w37-, EU, adjust.strad.legs	M. plate, adj str legs	Typenschild	Identificat. de mach.	1	104892
	Maskinskylt, h. stödb. 06w37-, USA, adjust.strad.legs	M. plate, adj str legs	Typenschild	Identificat. de mach.	1	104893
7	M.skylt, lastfrigivning 06w37-, EU	M. plate, load deration 06w	Typenschild	06W37 Identificat. de mach. 06w37	1	104890
	M.skylt, lastfrigivning 06w37-, USA	M. plate, load deration	Typenschild	Identificat. de mach.	1	104891
8	Maskinskylt, mast 06w37- Eng	Machine plate, mast	Typenschild, mast	Ident. de mach., mât	1	104882
	Maskinskylt, mast 06w37- Ger/Eng	Machine plate, mast	Typenschild, mast	Ident. de mach., mât	1	104883
	Maskinskylt, mast 06w37- Spa/Eng	Machine plate, mast	Typenschild, mast	Ident. de mach., mât	1	104884
	Maskinskylt, mast 06w37- Rus/Eng	Machine plate, mast	Typenschild, mast	Ident. de mach., mât	1	104885
	Maskinskylt, mast 06w37- Por/Eng	Machine plate, mast	Typenschild, mast	Ident. de mach., mât	1	104886
	Maskinskylt, mast 06w37- Ita/Eng	Machine plate, mast	Typenschild, mast	Ident. de mach., mât	1	104887
	Maskinskylt, mast 06w37- USA	Machine plate, mast	Typenschild, mast	Ident. de mach., mât	1	104888
	Maskinskylt, mast 06w37- Fra/Eng	Machine plate, mast	Typenschild, mast	Ident. de mach., mât	1	104889
	Maskinskylt, mast 09w36- Swe/Eng	Machine plate, mast	Maschinenschild, mast	Identificat.de mach, mât	1	114475
	Maskinskylt, mast 09w36- Pol/Eng	Machine plate, mast	Maschinenschild, mast	Identificat.de mach, mât	1	114498
9	Maskinskylt, mast 09w36- Grc/Eng	Machine plate, mast	Maschinenschild, mast	Identificat.de mach, mât	1	114499

X-Ergo\_050200

1001 — Gear box  
(excl. 1, 2 & 16)



---

*Edition: 2003*

Gaffelvagn X-Ergo 200 SDFV 6.16  
Fork carriage X-Ergo 200 SDFV  
Gabelschlitten X-Ergo 200 SDFV  
Chariot de levage X-Ergo 200 SDFV

---

*Edition: 2003*

Gaffelvagn X-Ergo 200 BDFV 6.17  
Fork carriage X-Ergo 200 BDFV  
Gabelschlitten X-Ergo 200 BDFV  
Chariot de levage X-Ergo 200 BDFV

---

*Edition: 2003*

Gaffelvagn XLL-Ergo 6.18  
Fork carriage XLL-Ergo  
Gabelschlitten XLL-Ergo  
Chariot de levage XLL-Ergo

---

*Edition: 2008-12-16*

Gaffelvagn XTF-Ergo 100 TFV/DTFV 6.19  
Fork carriage XTF-Ergo 100 TFV/DTFV  
Gabelschlitten XTF-Ergo 100 TFV/DTFV  
Chariot de levage XTF-Ergo 100 TFV/DTFV

---

*Edition: 2008-12-17*

Gaffelvagn, rygg XTF-Ergo 100 TFV/DTFV 6.20  
Fork carriage, back XTF-Ergo 100 TFV/DTFV  
Gabelschlitten, rücken XTF-Ergo 100 TFV/DTFV  
Chariot de levage, dos XTF-Ergo 100 TFV/DTFV

---

*Edition: 2003*

Lastskydd/Gaffelförlängning X/XTF/XML-Ergo 6.21  
Load guard/Fork extension X/XTF/XML-Ergo  
Lastschutz/Gabelverlängerung X/XTF/XML-Ergo  
Prot. de charge/Ext. des fourches X/XTF/XML-Ergo

**Mast/Stödben X-Ergo 160 DTFV - Mast/Straddle legs X-Ergo 160 DTFV**  
**Mast/radarne X-Ergo 160 DTFV - Mât/longerons X-Ergo 160 DTFV**

Pos.	Beskrivning	Designation	Bezeichnung	Dénomination	Qty	Part No.
45	Lyftkedja <i>Including pos. 46-50. H4 = 4800</i>	Lift chain	Hubkette	Chaîne de levage	2	106341
	Lyftkedja <i>Including pos. 46-50. H4 = 5400</i>	Lift chain	Hubkette	Chaîne de levage	2	106342
	Lyftkedja <i>Including pos. 46-50. H4 = 6300</i>	Lift chain	Hubkette	Chaîne de levage	2	106343
46	Saxpinnebult	Split pin bolt	Splintbolzen	Axe à tête	2	105216
47	Saxpinne	Split pin	Splint	Goupille fendue	8	013103
48	Planbricka	Plain washer	Planscheibe	Rondelle plate	4	012371
49	Kedjebult	Chain bolt	Kettenbolzen	Chape de chaîne	2	105214
50	Saxpinnebult	Split pin bolt	Splintbolzen	Axe à tête	2	105213
51	Fjäderbricka	Spring washer	Federring	Rondelle grower	2	012289
52	Mutter M6M16	Nut	Mutter	Ecrou	4	012128

**Mast/Stödben XTF-Ergo 100 DTFV - Mast/Straddle legs XTF-Ergo 100 DTFV**  
**Mast/radarme XTF-Ergo 100 DTFV - Mât/longerons XTF-Ergo 100 DTFV**

Pos.	Beskrivning	Designation	Bezeichnung	Dénomination	Qty	Part No.
1	Yttermast + stödben	Outer mast + str. legs	Orc Auss. mast + radarme	Mât ext. + longerons	1	105863
	Yttermast + stödben <i>Low profile straddle legs</i>	Outer mast + str. legs	Auss. mast + radarme	Mât ext. + longerons	1	105865
2	Innermast, smal	Inner mast	Order I Innenmast	Mât intérieur	1	105665
3	Mellanmast, smal	Intermediate mast	Mittlerer mast	Mât intermédiaire	1	105663
4	Brytrulle, kpl	Hose pulley, cpl	Umlenkrolle, kpl	Poulie de renvoi, cpl	2	059299
7	Spårring	Circlip	Nutring	Circlip	4	012657
9	Smörjnippel	Lubricator	Schmiernippel	Graisser	8	008953
10	Distansbricka 1mm	Spacer ring 1mm	Distanzring 1mm	Rondel.décartement 1mm	1	105469
	Distansbricka 0.5mm	Spacer ring 0.5mm	Distanzring 0.5mm	Rondel.décartement 0.5mm	1	105470
11	Lastrulle Ø108.0	Load roller Ø108.0	Lastrolle Ø108.0	Poulie de charge Ø108.0	8	105318
	Lastrulle Ø108.5	Load roller Ø108.5	108 Lastrolle Ø108.5	Poulie cha.Ø108.5	8	105319
	Lastrulle Ø107.0	Load roller Ø107.0	D 1 Lastrolle Ø107.0	Poulie de charge Ø107.0	8	105328
	Lastrulle Ø107.5	Load roller Ø107.5	D 1 Lastrolle Ø107.5	Poulie de charge Ø107.5	8	105329
12	<i>See section 9</i>				1	
13	Skruv MC6S M12x60	Screw MC6S M12x60	Schraube	Vis	2	010773
14	Bricka	Washer	Scheibe	Rondelle	2	071541
16	Bricka, sfärisk	Washer, spherical	Scheibe	Rondelle	2	001452
17	Bricka, sfärisk	Washer, spherical	Scheibe	Rondelle	2	001453
20	Skruv	Screw MC6S M8x25	Schraube	Vis	2	010636
23	Dämpare	Damper	Dämpfer	Modérateur	1	060215
27	Spännstift FRP 6x50	Roll pin FRP 6x50	Spannstift FRP 6x50	Goupille FRP 6x50	2	012945
28	Axel	Axle	Achse	Axe	2	055343
30	Boggiehjul, kompl. <i>Including pos. 31-35</i>	Bogie wh. assmby.	Boggierad kompl.	Roue de bogg. compl.	2	075145
	Boggiestift	Bogie frame	Boggiestrahmen	Cadre de bogie	2	075146
31	Axel	Axle	Achse	Axe	4	075839
33	Spännstift FRP	Roll pin FRP	Spannstift FRP	Goupille FRP	4	012923
34	Glidlager	Slide bearing	Gleitlager	Coussinet lisse	4	008516
35	Vulkollanhjul, kpl	Vulkollan wheel, cpl	See Vulkollan rad, kpl	Roue Vulkollan, cpl	4	060734
38	Lasthjul <i>Including pos. 39</i>	Rail wheel	Lastrad	Roue portante	2	056821
39	Kullager	Roller bearing	Kugellager	Roulement à billes	4	008034
40	Distanselement	Spacer	Distanzring	Douille d'écartement	4	053958
41	Fjäderbricka	Spring washer	Federring	Rondelle grower	2	012279
42	Klamma	Clamp	Klammer	Bride	1	069216
43	Saxpinne SP	Split pin	Splint	Goupille fendue	2	013121
44	Skruv MC6S M10x16	Screw MC6S M10x16	Schraube, MC6S M10x16	Vis, MC6S M10x16	2	010687
45	Lyftkedja 5/8"	Lift chain 5/8"	Hubkette 5/8"	Chaîne de levage 5/8"	2	105215
	Lyftkedja <i>Including pos. 46-49</i>	Lift chain	Hubkette	Chaîne de levage	2	106194
46	Saxpinnebult	Split pin bolt	Splintbolzen	Axe à tête	4	105216
47	Saxpinne	Split pin	Splint	Goupille fendue	8	013103
48	Planbricka	Plain washer	Planscheibe	Rondelle plate	4	012371
49	Kedjebult	Chain bolt	Kettenbolzen	Chape de chaîne	2	105214
51	Fjäderbricka	Spring washer	Federring	Rondelle grower	2	012289

**Gaffelvagn X-Ergo 160 TV - Fork carriage X-Ergo 160 TV**  
**Gabelschlitten X-Ergo 160 TV - Chariot de levage X-Ergo 160 TV**

Pos.	Beskrivning	Designation	Bezeichnung	Dénomination	Qty	Part No.
1	Gaffelvagn BTV	Fork carriage	Schlitten	Tablier de fourches	1	105520
2	Lastrulle Ø78.2	Load roller Ø78.2	Lastrolle Ø78.2	Poulie de charge Ø78.2	4	105036
	Lastrulle Ø78.6	Load roller Ø78.6	Lastrolle Ø78.6	Poulie de charge Ø78.6	4	105037
	Lastrulle Ø79.0	Load roller Ø79.0	Lastrolle Ø79.0	Poulie de charge Ø79.0	4	106086
3	Distansbricka 1mm	Spacer ring 1mm	Distanzring 1mm	Rondel. décartement 1mm	4	105032
	Distansbricka 0.5mm	Spacer ring 0.5mm	Distanzring 0.5mm	Rondel. décartement 0.5mm	4	105280
4	Smörjnippel	Lubricator	Schmiernippel	Graisser	4	105287
5	Klämskydd	Protective plate	Schutzblech	Protection	2	105147
6	Skruv MFX-TT 6x16	Screw MFX-TT 6x16	Schraube	Vis	4	014785
7	Skruv MC6S M10x20	Screw MC6S M10x20	Schraube, MC6S M10x20	Vis, MC6S M10x20	2	010691
8	Fjäderbricka	Spring washer	Federring	Rondelle grower	2	012279
10	Lyftkedja 5/8"	Lift chain 5/8"	Hubkette 5/8"	Chaîne de levage 5/8"	2	105215
	Lyftkedja, kpl Including pos. 10-14	Lift chain, assy	Hubkette, kpl	Chaîne de levage, cpl	2	105517
11	Saxpinnebult	Split pin bolt	Splintbolzen	Axe à tête	2	105216
12	Saxpinne	Split pin	Splint	Goupille fendue	4	013103
13	Planbricka	Plain washer	Planscheibe	Rondelle plate	4	012371
14	Kedjebult	Chain bolt	Kettenbolzen	Chape de chaîne	2	105214
15	Mutter	Nut	Mutter	Ecrou	2	012150
16	Fjäderbricka	Spring washer	Federring	Rondelle grower	2	012289
17	Mutter M6M16	Nut	Mutter	Ecrou	2	012128
18	Saxpinne SP	Split pin	Splint	Goupille fendue	1	013121
20	Gaffel	Fork	Gabel	Fourche	2	066038
21	Låsanordning, kpl	Locking dev. assy.	Verschluss kompl.	Verrouillage, cpl.	2	071955
22	Shim, 1mm	Shim, 1mm	Einstellscheibe, 1mm	Cale de réglage, 1mm	2	068486
	Shim, 1.5mm	Shim, 1.5mm	Einstellscheibe, 1.5mm	Cale de réglage, 1.5mm	2	068487

**Gaffelvagn X-Ergo 200 SDTFV - Fork carriage X-Ergo 200 SDTFV**  
**Gabelschlitten X-Ergo 200 SDTFV - Chariot de levage X-Ergo 200 SDTFV**

Pos.	Beskrivning	Designation	Bezeichnung	Dénomination	Qty	Part No.
1	Gaffel	Fork	Gabel	Fourche	2	066038
2	Låsanordning, kpl	Locking dev. assy.	Verschluss kompl.	Verrouillage, cpl.	2	071955
3	Shim, 1mm	Shim, 1mm	Einstellscheibe, 1mm	Cale de réglage, 1mm	2	068486
	Shim, 1.5mm	Shim, 1.5mm	Einstellscheibe, 1.5mm	Cale de réglage, 1.5mm	2	068487
4	Gaffelvagn, smal SDTFV	Fork carriage	200D <sup>1</sup> Schlitten	Tablier de fourches	1	105831
5	Klämskydd	Protective plate	Schutzblech	Protection	2	105976
6	Skruv MFX-TT 6x16	Screw MFX-TT 6x16	Schraube	Vis	4	014785
10	<i>See section 9</i>				2	
11	Bricka	Washer	Scheibe	Rondelle	2	012375
12	Saxpinnebult	Split pin bolt	Splintbolzen	Axe à tête	1	066076
13	Saxpinne SP	Split pin	Splint	Goupille fendue	2	013117
14	Lastrulle Ø108.0	Load roller Ø108.0	Lastrolle Ø108.0	Poulie de charge Ø108.0	4	105318
	Lastrulle Ø108.5	Load roller Ø108.5	108 Lastrolle Ø108.5	Poulie cha.Ø108.5	4	105319
	Lastrulle Ø107.0	Load roller Ø107.0	D 1 <sup>1</sup> Lastrolle Ø107.0	Poulie de charge Ø107.0	4	105328
	Lastrulle Ø107.5	Load roller Ø107.5	D 1 <sup>1</sup> Lastrolle Ø107.5	Poulie de charge Ø107.5	4	105329
15	Distansbricka 1mm	Spacer ring 1mm	Distanzring 1mm	Rondel.décartement 1mm	4	105469
	Distansbricka 0.5mm	Spacer ring 0.5mm	Distanzring 0.5mm	Rondel.décartement 0.5mm	4	105470
16	Skruv MC6S M8x12	Screw MC6S M8x12	Schraube	Vis	2	010625
17	Fjäderbricka	Spring washer	Federring	Rondelle grower	2	012275
20	Smörjnippel	Lubricator	Schmiernippel	Graisseur	4	105287

**Gaffelvagn XTF-Ergo 100 TFV/DTFV - Fork carriage XTF-Ergo 100 TFV/DTFV**  
**Gabelschlitten XTF-Ergo 100 TFV/DTFV - Chariot de levage XTF-Ergo 100 TFV/DTFV**

Pos.	Beskrivning	Designation	Bezeichnung	Dénomination	Qty	Part No.
35	Rullfäste, enkel	Roller bracket, single	Rollenbef., einfach	Fix. de galet, simple	4	081148
37	Skruv M6S 6x18	Screw M6S 6x18	Schraube	Vis	2	010095
38	Fjäderbricka	Spring washer	Federring	Rondelle grower	2	012271
39	Konsol	Bracket	Konsole	Support	1	085104
40	Skruv M6S M8x50	Screw M6S M8x50	Schraube M6S M8x50-8.8	Vis M6S M8x50-8.8	2	010156
41	Sexkantsmutter	Hexagon nut	Sechskantmutter	Ecrou hexagonale	2	012120
42	Skruv M6S M6x30	Screw M6S M6x30	Schraube	Vis	4	010103
43	Bricka	Washer	Scheibe	Rondelle	4	012375
44	Motor, kompl.	Motor, assy.	Motor, kompl.	Moteur, compl.	1	085038
46	Fjäderbricka	Spring washer	Federring	Rondelle grower	8	012275
47	Sexkantsmutter	Hexagon nut	Sechskantmutter	Ecrou hexagonale	4	012120
48	Bricka	Washer	Scheibe	Rondelle	1	060116
49	Kil 5x5x18	Key	Keil	Clavette	1	013592
50	Kedjehjul	Chain wheel	Kettenzahnrad	Roue dentée de chaîne	1	060101
51	Bricka	Washer	Scheibe 8.5x32x2.5	Rondelle 8.5x32x2.5	1	012503
52	Bricka, SRB	Washer	Scheibe	Rondelle	3	012404
53	Skruv M6x12	Hexagon screw M6x12	Sechsk. Schraube M6x12	Vis hexagonal M6x12	1	010089
54	Stoppskruv	Locking screw	P6S6 Stoppschraube	Vis d'arrêt	8	011685
55	Skruv M6S M8x30	Screw M6S M8x30	Schraube	Vis	4	010148
56	Konsol	Bracket	Konsole	Support	1	084852
57	Distans	Spacer	Abstandhalter	Entretoise	1	084703
58	Vinkelkont.lager	Ball bearing	Kugellager	Roulement à billes	2	106754
59	Spärring SGA 17	Circlip	Nutring	Circlip	4	012639
60	Låsring	Retaining ring	Sicherungsring	Circlip	2	012744
61	Woodruffkil WK 6x22	Woodruff key	Scheibenkeil	Clavette woodruff	3	013510
62	Axel V=570	Axle	Achse	Axe	1	060071
	Axel V=670	Axle	Achse	Axe	1	060113
	Axel V=Alt.	Axle	Achse	Axe	1	060114
	Axel V=570, Cold store design	Axle	Achse	Axe	1	060117
	Axel V=670, Cold store design	Axle	Achse	Axe	1	060118
	Axel V=Alt., Cold store design	Axle	Achse	Axe	1	060119
63	Spärring SGA 17	Circlip	Nutring	Circlip	4	012639
65	Stoppning Including pos. 54	Adjuster ring	Halterring	Bague d'arrêt	35	008302
66	Låsring	Retaining ring	Sicherungsring	Circlip	2	012744
67	Plastring	Plastic bearing	Kunststofflager	Roulement plastique	1	084679
68	Lagerhus	Bearing housing	Lagergehäuse	Palier	1	085068
69	Rullkedja When order please state length	Chain	Rollenkette	Chaîne	1	008852
	Rullkedja, kpl Including pos. 85	Chain, cpl	Rollenkette, kpl	Chaîne, cpl	1	060110

CLICK HERE TO **DOWNLOAD** THE COMPLETE MANUAL

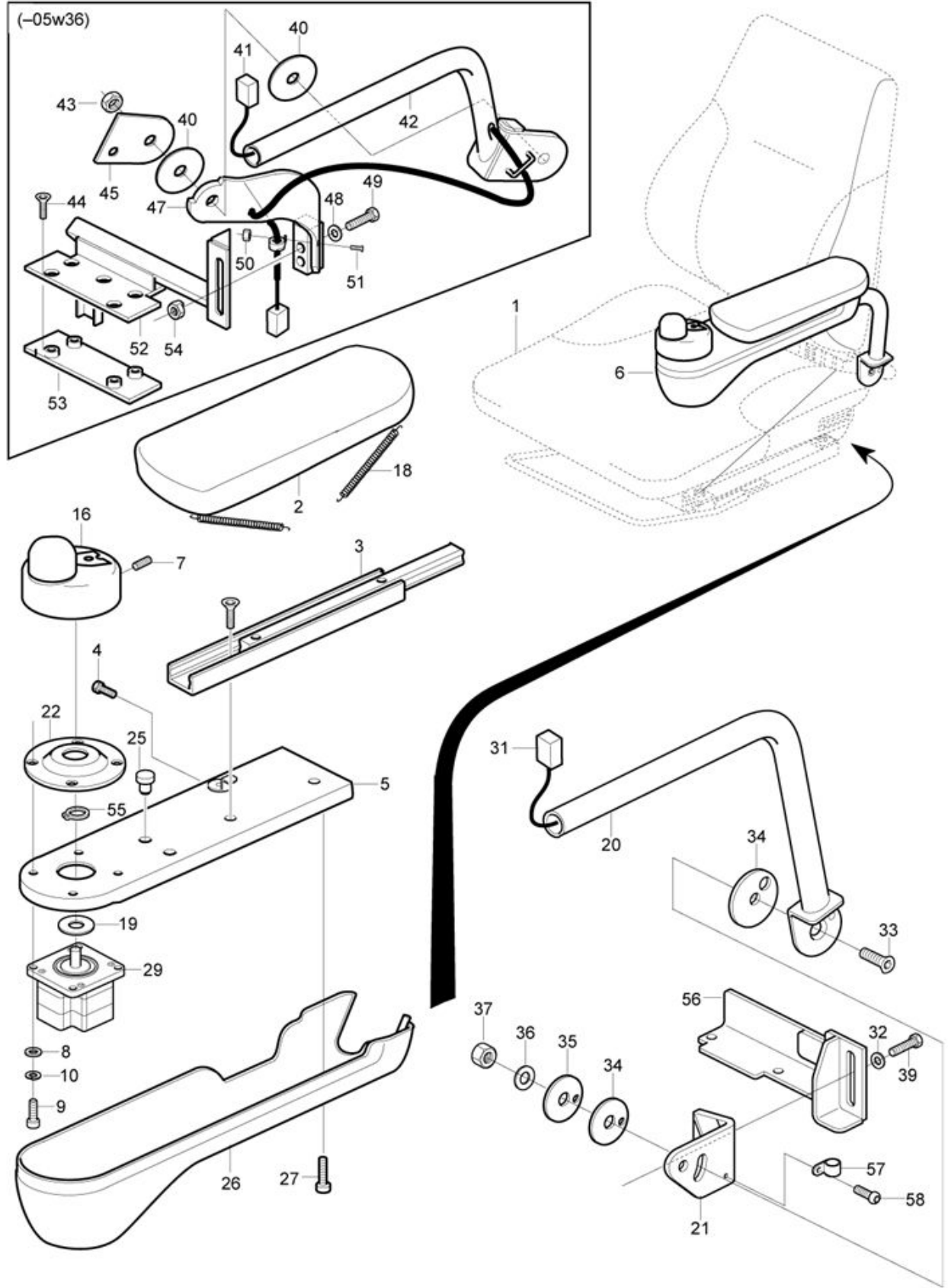
- Thank you very much for reading the preview of the manual.
- You can download the complete manual from: [www.heydownloads.com](http://www.heydownloads.com) by clicking the link below



- Please note: If there is no response to CLICKING the link, please download this PDF first and then click on it.

CLICK HERE TO **DOWNLOAD** THE COMPLETE MANUAL

X-Ergo\_070105\_-2007w16





**Hydraulsystem X-Ergo - Hydraulic system X-Ergo**  
**Hydraulische anlage X-Ergo - Unité hydraulique X-Ergo**

Pos.	Beskrivning	Designation	Bezeichnung	Dénomination	Qty	Part No.
1	Plåt, hydraulik	Bracket	Konsole	Support	1	104426
2	Flänskoppling	Flange union	Flanschverschraub.	Raccord à brides	1	009035
3	Flänskoppling	Flange union	Flanschverschraub.	Raccord à brides	1	009034
4	Fäste, hydraulaggregat	Holder, Hydraulic unit	Halter, Hydraulikagg.	Attache, Aggrégat hydr.	1	104083
5	Sexkantsmutter	Hexagon nut	Sechskantmutter	Ecrou hexagonale	8	012120
6	Stång, gängad M8	Threaded bar	Stange	Tige	4	104642
7	Sugslang	Suction hose	Saugschlauch	Tuyau d'aspiration	1	103921
8	Koppling	Coupling	Kupplung	Raccord	1	003637
9	Slanganslutning	Hose union	Schlauchanschluß	Raccord de tuyau	1	003581
10	Slangklämma	Hose clamp	Schlauchklammer	Collier de serrage	2	014014
11					1	
	<i>See section 8, "Proportional valve"</i>					
12					1	
	<i>See section 8, "Proportional valve"</i>					
13					1	
	<i>See section 8, "Proportional valve"</i>					
14					1	
	<i>See section 8, "Proportional valve"</i>					
15					1	
	<i>See section 8, "Proportional valve"</i>					
16	Koppling	Coupling	Kupplung	Raccord	1	009023
17	Hydraulrör	Hydraulic pipe	Hydraulikrohr	Tube hydraulique	1	104550
18	Skruv, MC6S M6x16	Screw, MC6S M6x16	Schraube, MC6S M6x16	Vis, MC6S M6x16	6	010579
19	Fjäderbricka	Spring washer	Federring	Rondelle grower	8	012271
21	Tank	Tank	Tank	Réservoir	1	104427
	Tank, kompl.	Tank, compl.	Tank, kompl.	Réservoir, compl.	1	104428
24	Skruv	Screw	Schraube	Vis	2	014994
25	Bricka	Washer	Scheibe	Rondelle	2	012494
26	Vibrationsdämpare	Shock absorber	Vibrationsdämpfer	Amort. de vibrations	4	100318
27	Skruv M6S M8x12	Screw M6S M8x12	Schraube	Vis	4	010134
28	Sexkantsmutter	Hexagon nut	Sechskantmutter	Ecrou hexagonale	4	012120
30	Skruv, M6S M4x10	Screw M6S M4x10	Schraube, M6S M4x10	Vis, M6S M4x10	1	010023
31	Fjäderbricka FBB	Spring washer	Federring	Rondelle grower	1	012267
32	Jordningskabel	Earth cable	Erdungskabel	Câble de liaison à la t.	1	104901
33	Skruv	Screw	Schraube	Vis	1	113075
34	O-ring	O-ring	O-ring	Joint torique	1	013751
35	Bricka	Flat washer	Scheibe	Rondelle	1	012379
36	Mutter M6M M10-8	Nut, M6M M10-8	Mutter, M6M M10-8	Ecrou, M6M M10-8	1	012122
37	O-ring	O-ring	O-ring	Joint torique	1	013732
38	O-ring	O-ring	O-ring	Joint torique	1	013761
44	Returfilter, kompl. <i>Including pos. 45-48</i>	Returnfilter, assembly	Filter, kompl.	Filtre, compl.	1	146024
45	Tätning	Sealing	Dichtung	Bague d'étanchéité	1	110895
46	Filterinsats, kit	Filter element kit	Filtereinsatz	Cartouche de filtre, kit	1	113644
47	Lock -09w39	Cover	Deckel	Couvercle	1	113645
	Lock 09w40-	Cover	Deckel	Couvercle	1	146950

**Hydraulsystem, mast X-Ergo 160 DTFV - Hydraulic system, mast X-Ergo 160 DTFV**  
**Hydraulische anlage, mast X-Ergo 160 DTFV - Unité hydraulique, mât X-Ergo 160 DTFV**

Pos.	Beskrivning	Designation	Bezeichnung	Dénomination	Qty	Part No.	
1	Koppling, 1/2"	Coupling, 1/2"	Kupplung, 1/2"	Raccord, 1/2"	4	009000	
2	Fjäderbricka	Spring washer	Federring	Rondelle grower	2	012275	
3	Skruv MC6S M8x55	Screw MC6S M8x55	Schraube, MC6S M8x55	Vis, MC6S M8x55	2	010649	
4	Fördelningsblock	Flowdivider	Mengenteiler	Bloc de connection	1	059846	
5	Hydraulslang, v	Hydraulic hose	Hydraulikschlauch	Tuyau métall.flexib.	1	105481	
6	Koppling	Coupling	Kupplung	Raccord	3	009012	
7	Hydraulrör	Hydraulic pipe	State Hydraulikrohr	Tube hydraulique	1	105482	
8	Hydraulrör ,h	Hydraulic pipe	Hydraulikrohr	Tube hydraulique	1	105480	
9	<i>See section 9</i>					1	
14	Koppling	Coupling	Kupplung	Raccord	4	009048	
15	Sänkbromsventilhus	Valve housing	Ventilgehäuse	Boîtier de soupape	1	003347	
16	Sänkbromsventil	Low.speed regulat	Senkautomatik	Limiteur réglable	1	003342	
18	Plastklamma	Clamp	Klammer	Bride	3	003465	
19	Gummiklamma	Rubber clamp	Gummiklammer	Bride	1	014063	
20	Koppling	Coupling	Kupplung	Raccord	4	009048	
24	Hydraulslang <i>When order please state liftheight</i>	Hydraulic hose repla	Hydraulikschlauch	Tuyau métall.flexib.	2	105478	
25	Brytrulle	Chain pulley	Umlenkrolle	Poulie de renvoi	2	105197	
26	Bricka	Washer	Scheibe	Rondelle	1	014770	
27	Spärring	Circlip	Nutring	Circlip	1	012647	
30	Klamma, 3/8"	Clamp, 3/8"	Klammer, 3/8"	Bride, 3/8"	1	071732	
31	Skruv MC6S M6x30	Screw MC6S M6x30	Schraube, MC6S M6x30	Vis, MC6S M6x30	1	010589	
32	Fjäderbricka	Spring washer	Federring	Rondelle grower	1	012271	
33	Skruv MC6S M6x12	Screw MC6S M6x12	Schraube, MC6S M6x12	Vis, MC6S M6x12	1	010570	
35	Bricka	Washer	Scheibe	Rondelle	2	012491	
36	Bricka	Flat washer	Scheibe	Rondelle	1	012424	
37	Koppling EVWO 15L	Coupling	Kupplung	Raccord	1	001756	

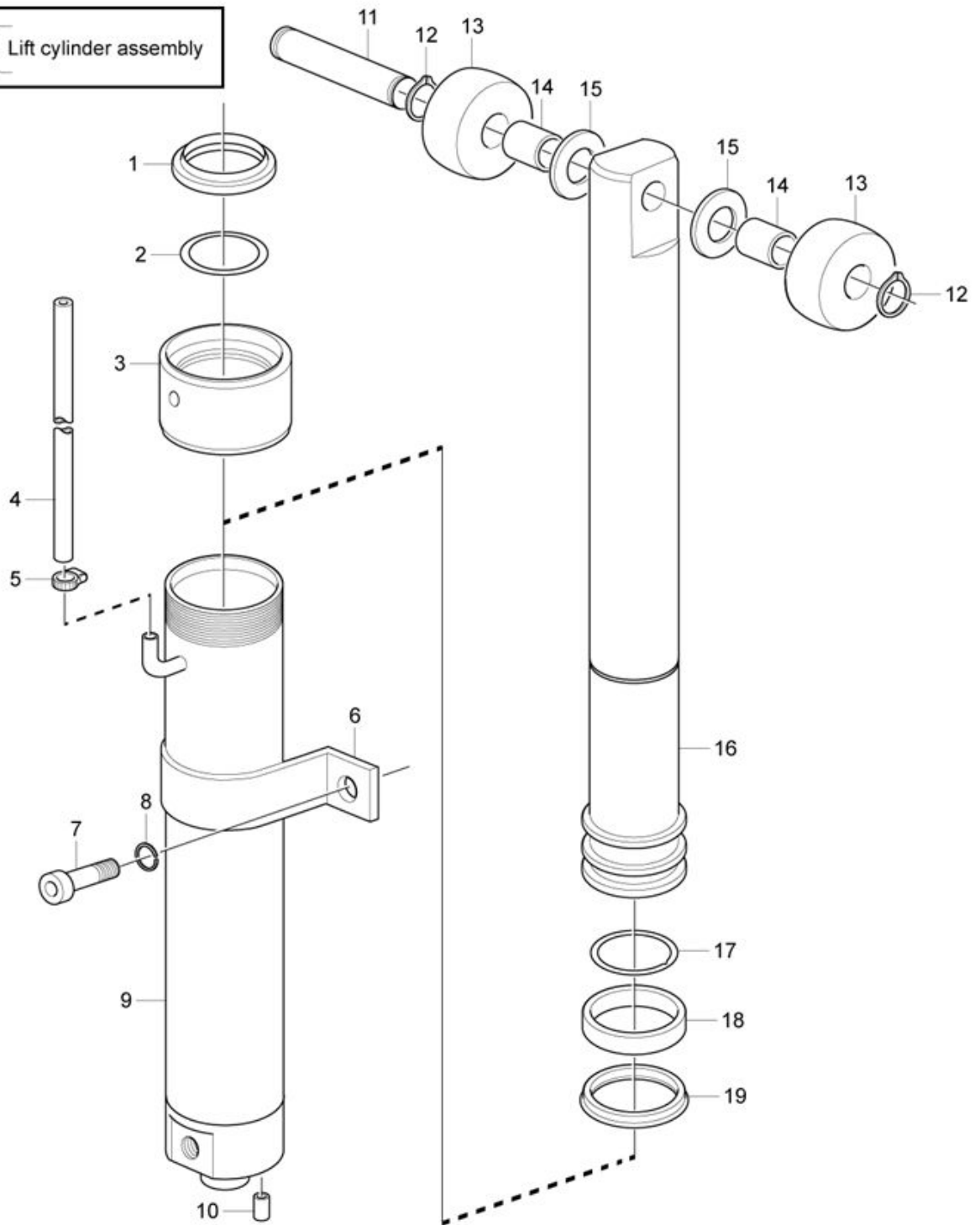
**Hydraulaggregat XLL-Ergo (2009w45-) - Hydraulic unit XLL-Ergo (2009w45-)**

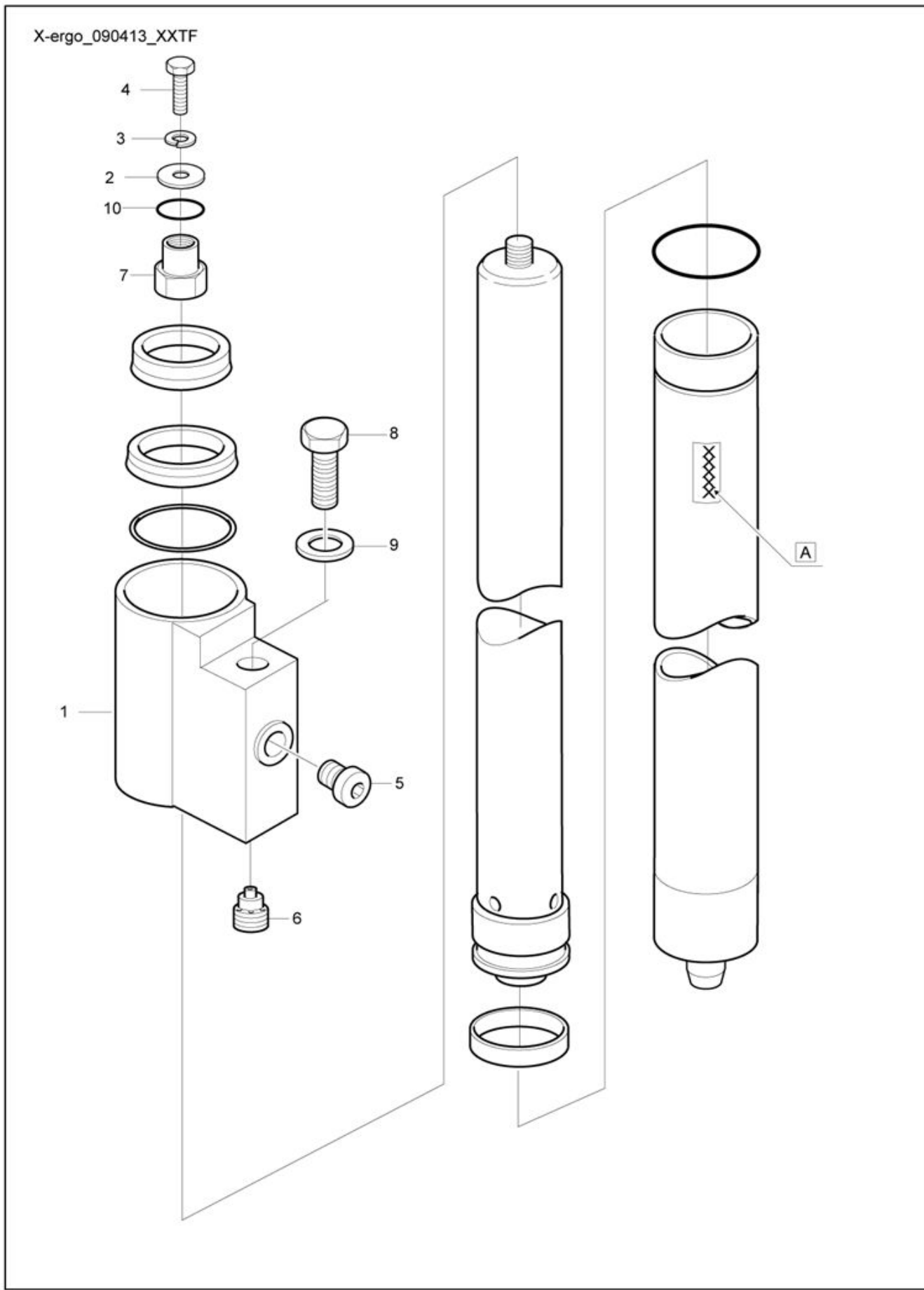
**Hydraulikaggregat XLL-Ergo (2009w45-) - Aggrégat hydraulique XLL-Ergo (2009w45-)**

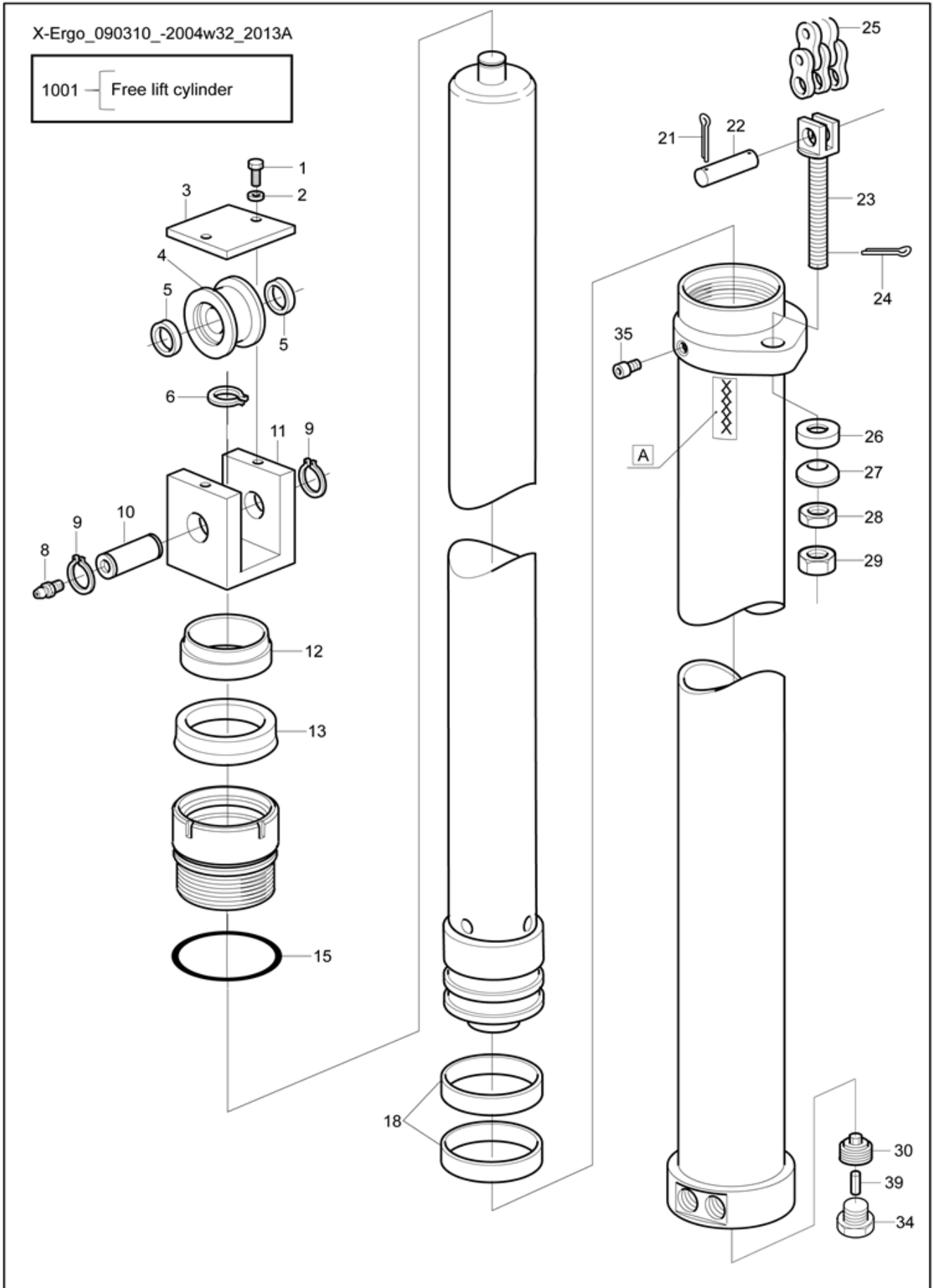
Pos.	Beskrivning	Designation	Bezeichnung	Dénomination	Qty	Part No.
2	Medbringarm	Carrier coupling	Mitnehmerarm	Bras d'entraînement	1	118818
3	Tryckbegr. ventil	Relief valve	Druckbegr. ventil	Soupape de refoulement	1	108148
5	Backventil	Check valve	Rückschlagventil	Clapet de retenue	1	116983
7	Magnet, 24V	Solenoid, 24V	Magnet, 24V	Aimant, 24V	1	116991
8	Returrör	Return tube	Rücklaufrohr	Buse	1	117815
9	Kugghjulpump	Gear pump	Zahnradpumpe	Pompe à engrenages	1	118817
10	Tank	Plastic tank	Tank	Réservoir	1	118819
1001	Hydraulaggregat	Hydraulic unit	Hydraulikaggregat	Aggrégat hydraulique	1	150777
1002	Servicesats <i>Service kit for 118706</i>	Service kit	Servicesatz	Kit de Service	1	119844

X-Ergo\_090105\_XLL

1001 — Lift cylinder assembly

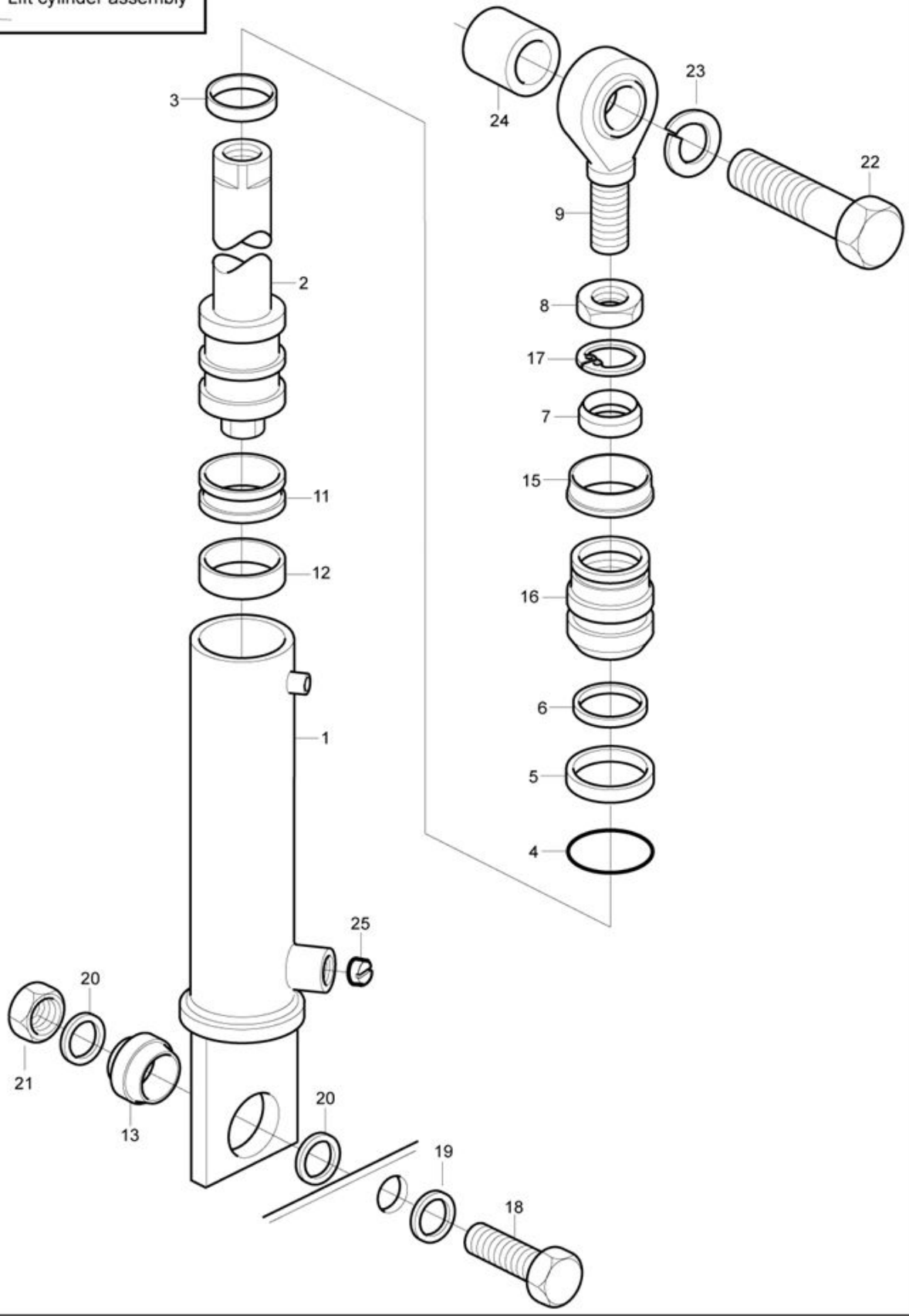






X-Ergo\_090202

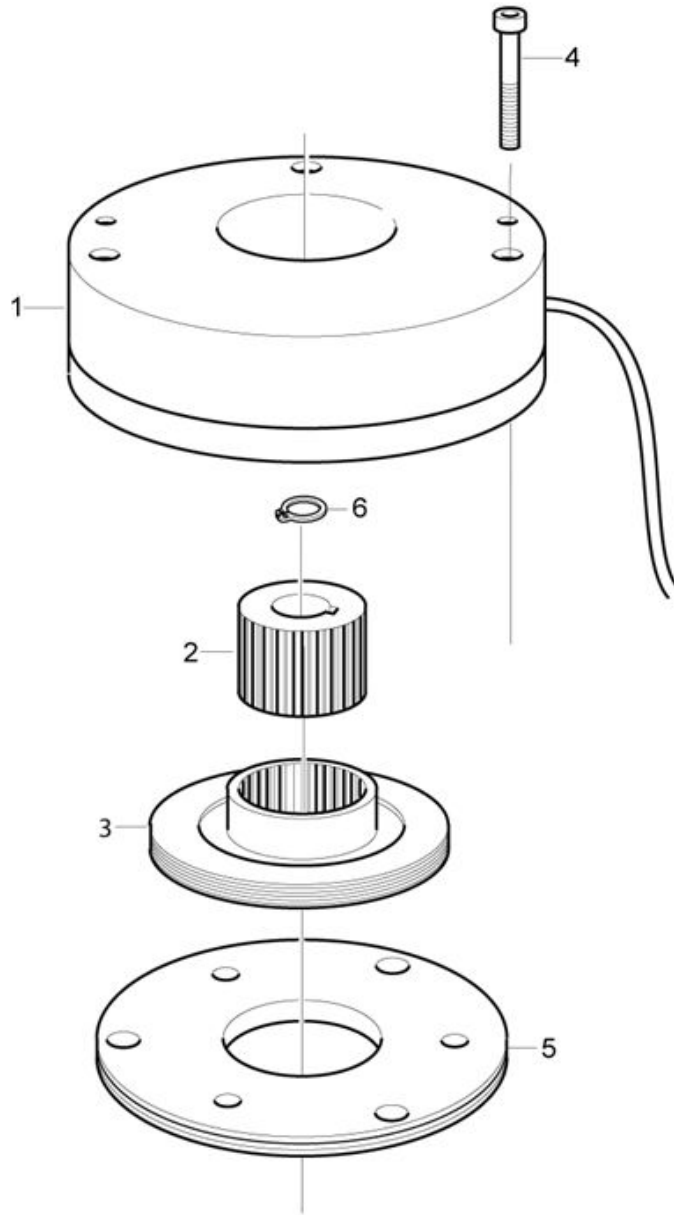
1001 — Lift cylinder assembly



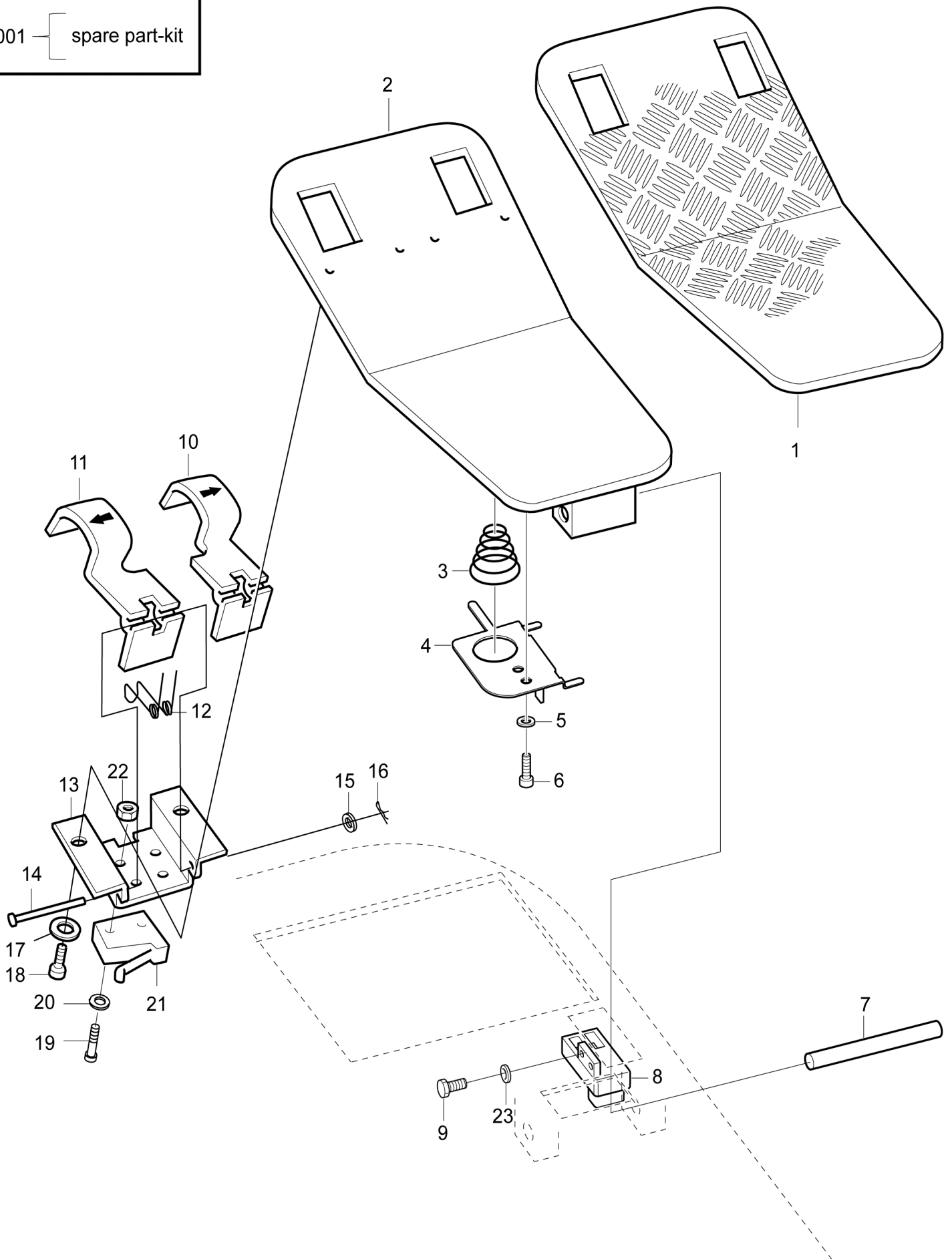
**Manöverkablage X-Ergo - Control cables X-Ergo**  
**Steuerhauptkabel X-Ergo - Câble multiple de commande X-Ergo**

Pos.	Beskrivning	Designation	Bezeichnung	Dénomination	Qty	Part No.
29	Gränslägesbrytare -2004w46. Stabilizers. Additional harness	Limit switch	Endschalter	Interrupteur	2	121495
32	Kablage, Stabilisatorer	Wiring harness, Stab.	Kabel, Stabilisatoren	Câble, Stabilisateurs	1	104603
33	Kabel, höjbara stödben -11w20	Cable, Adj.strad.legs	Kabel, Verstellb.Rad.	Câble, Longerons adj.	1	104654
	Kablage, höjbara 11w20-	Cable	Kabel	Câble	1	150099
34	Kabel, nyckelbrytare	Cable, key switch	Kabel, Schlüsselschalter	Câble, rupteur de porte	1	104848

X-Ergo\_110101\_2008B



1001 — spare part-kit



CLICK HERE TO **DOWNLOAD** THE COMPLETE MANUAL

- Thank you very much for reading the preview of the manual.
- You can download the complete manual from: [www.heydownloads.com](http://www.heydownloads.com) by clicking the link below



- Please note: If there is no response to CLICKING the link, please download this PDF first and then click on it.

CLICK HERE TO **DOWNLOAD** THE COMPLETE MANUAL