

ATLET

SPARE PARTS

Machine: TL

Manual No: 005846

Edition: 2005A

Approved 2005-03-01:

Per Bjällmark
Technical Documentation



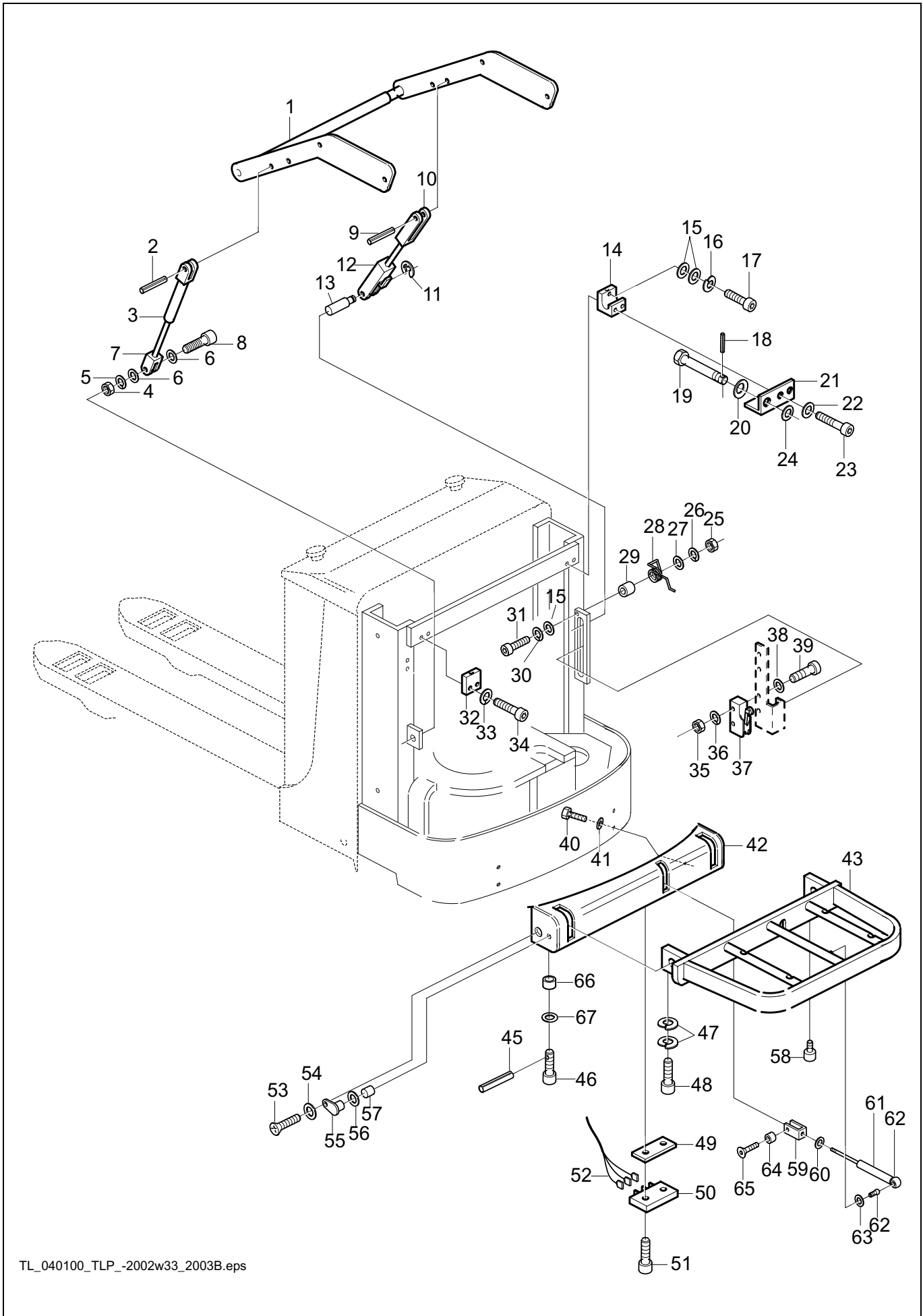
CLICK HERE TO **DOWNLOAD** THE COMPLETE MANUAL

- Thank you very much for reading the preview of the manual.
- You can download the complete manual from: www.heydownloads.com by clicking the link below



- Please note: If there is no response to CLICKING the link, please download this PDF first and then click on it.

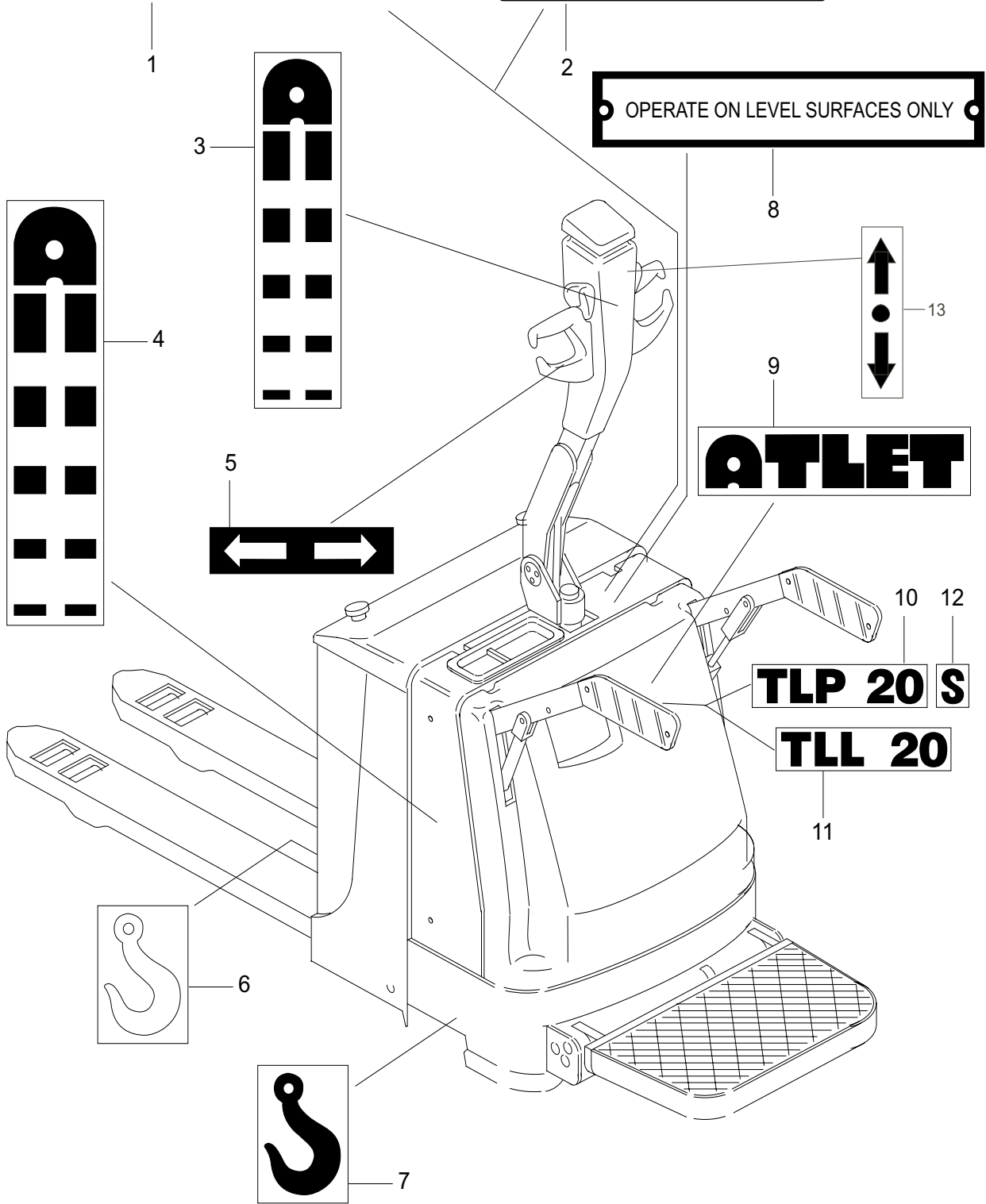
CLICK HERE TO **DOWNLOAD** THE COMPLETE MANUAL



TL_040100_TLP_-2002w33_2003B.eps

For other capacities consult Atlet AB		Atlet AB Malmö Sweden	
Model	██████████	CE	
Serial no.	██████████		
Actual capacity	██████████ lbs	Battery weight min.	██████████ lbs
Load centre distance	██████████ in	Battery weight max.	██████████ lbs
Approx. weight less battery	██████████ lbs	Battery voltage	██████████ Volts DC
Approx. weight with max battery	██████████ lbs	Identification of battery	██████████ EO

Model		CE	
Model	██████████		
Serie nr.	██████████	Vikt utan batteri	██████████ Kg
Serial no.	██████████	Weight without battery	██████████ Kg
Nr de serie	██████████	Gewicht ohne Batterie	██████████ Kg
Tillverkningsår	██████████	Poids propre sans batterie	██████████ Kg
Year of construction	██████████	Batteri vikt min.	██████████ Kg
Baujahr	██████████	Battery weight min.	██████████ Kg
Année de construction	██████████	Batteriegewicht min.	██████████ Kg
Tillsten last	██████████	Batteri vikt max.	██████████ Kg
Load capacity	██████████	Battery weight max.	██████████ Kg
Lastkapacitet	██████████	Batteriegewicht max.	██████████ Kg
Charge limite	██████████	Poids de batterie max.	██████████ Kg
Tungtpunktavstånd	██████████	Batterispänning	██████████ V-DC
Distance of load center	██████████	Battery voltage	██████████ V-DC
Lastöschepunktavstånd	██████████	Batteriespannung	██████████ V-DC
Distance de centre	██████████	Tension de la batterie	██████████ V-DC
Tillverkare	██████████	Atlet AB Malmö Sweden	
Manufacturer	██████████		
Fabrikkod	██████████		

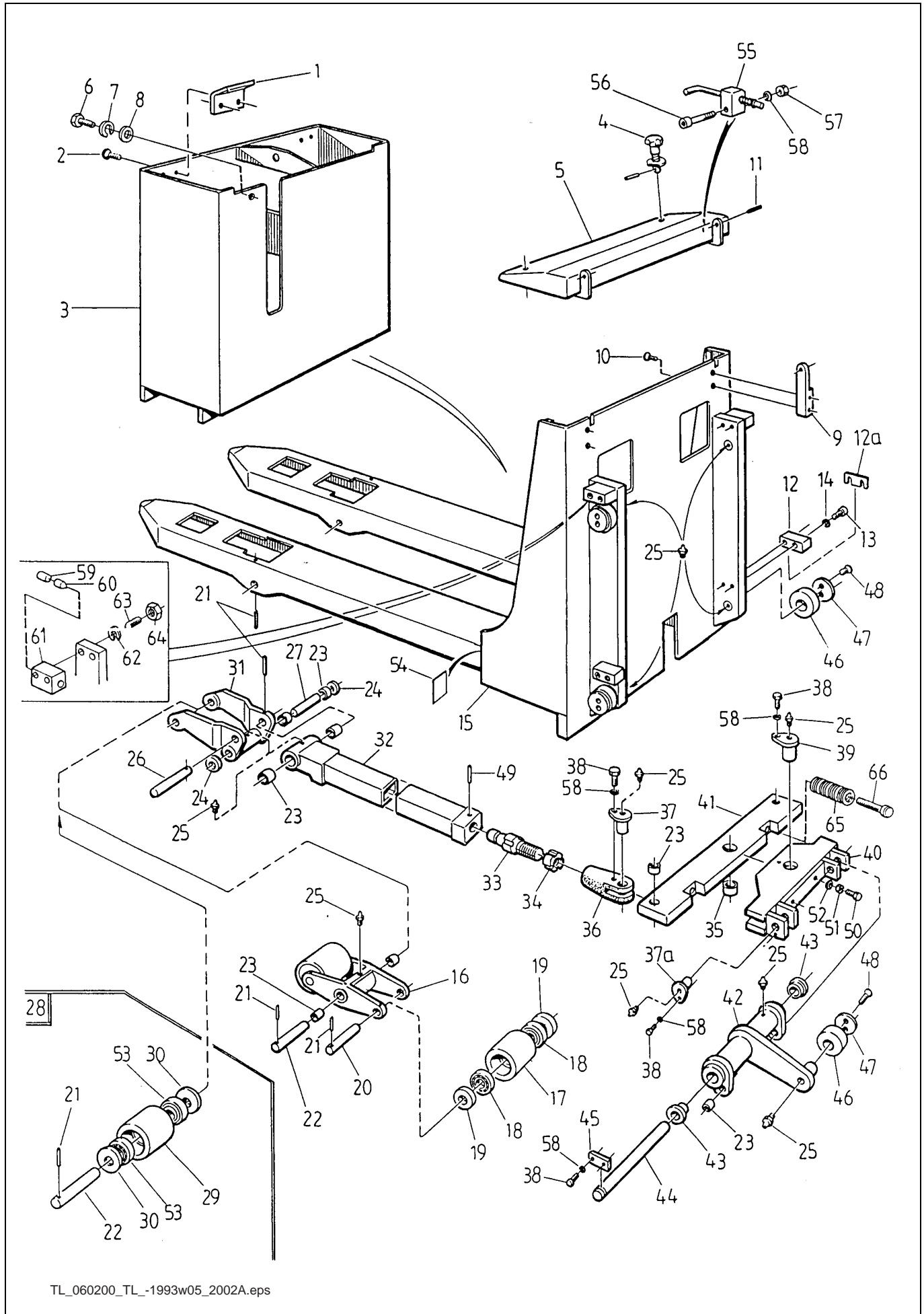


TL_040600_TL_2003A.eps

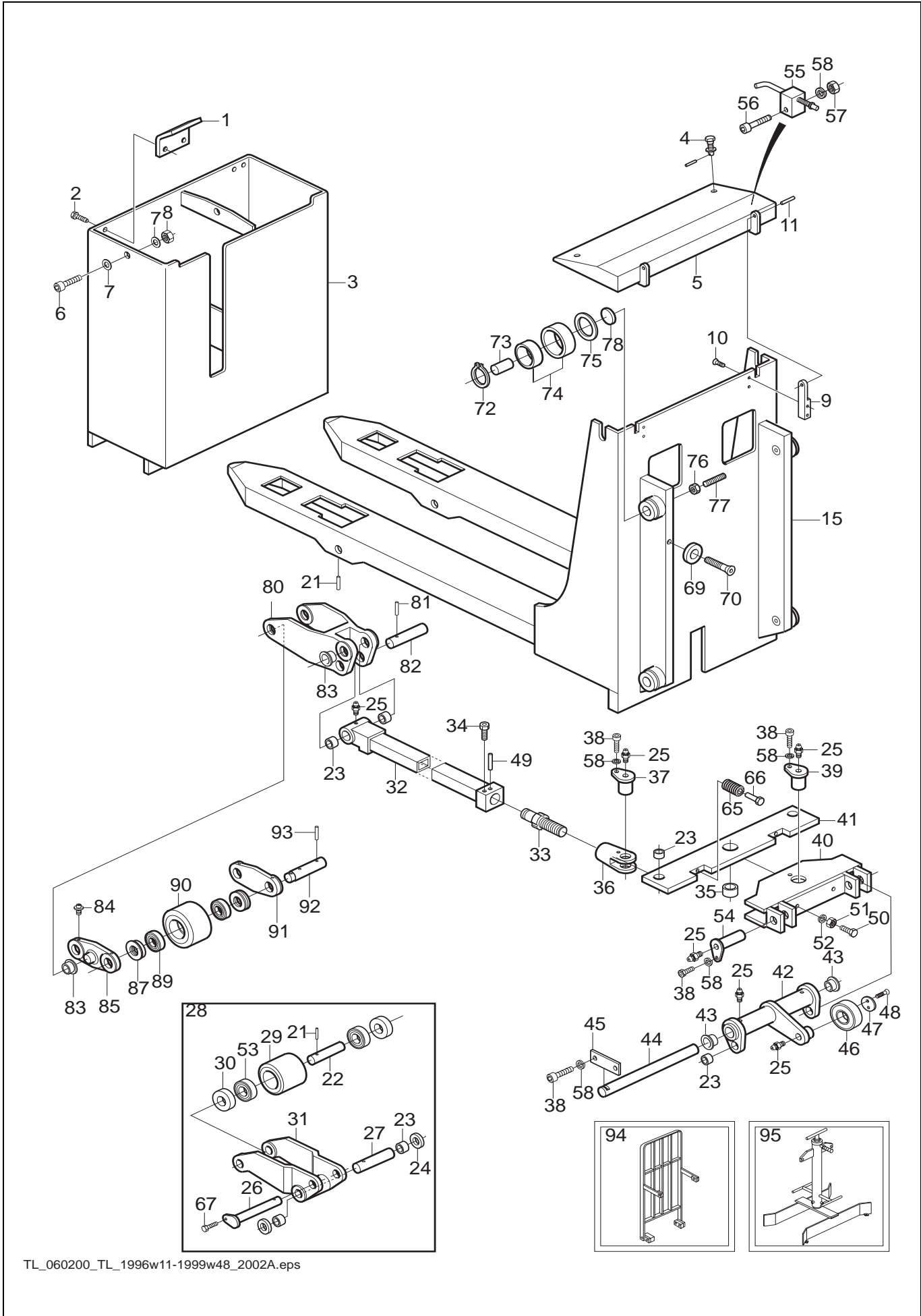
**VÄXELLÅDA - GEAR HOUSING -
GETRIEBEGEHÄUSE - RÉDUCTEUR**

TL

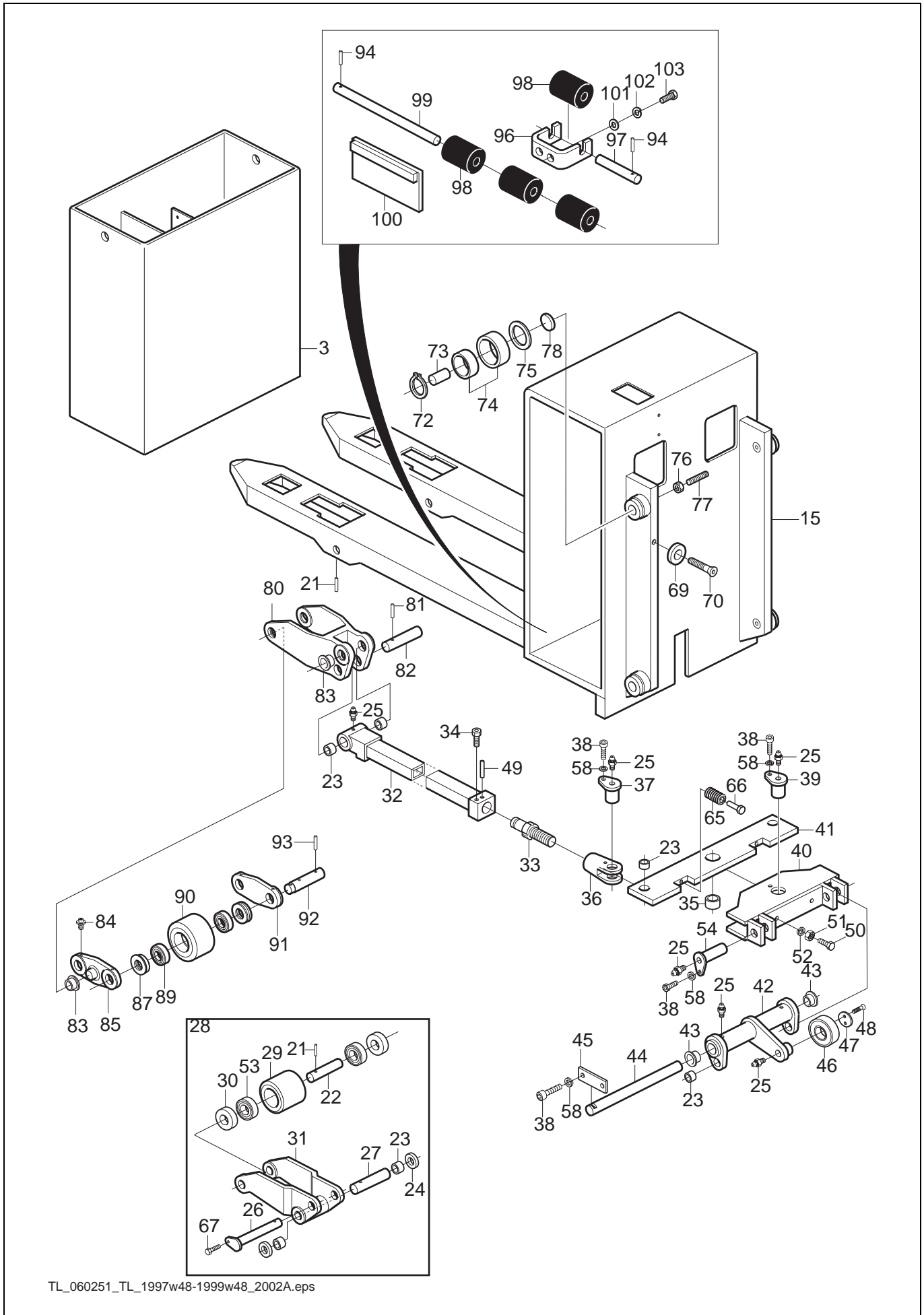
Pos.	Beskrivning	Designation	Bezeichnung	Dénomination	Qty	Part No.
29	Lock	Cover	Deckel	Couvercle	1	001355
30	Fj.bricka FBB 8,2	Spring washer	Federring	Rondelle grower	20	012275
31	Skruv MC6S 8x16	Screw	Schraube	Vis	8	010629
32	Tätningring	Sealing ring	Dichtring	Bague d'étanchéité	2	001358
33	Oljeavtappn.plugg	Oil drain plug	Ölablassschraube	Bouc.de vid.d'huile	1	001357
34	Shim	Shim	Einstellscheibe	Cale de réglage	1	001368 (60x75x0,1)
	Shim	Shim	Einstellscheibe	Cale de réglage	1	001369 (60x75x0,15)
	Shim	Shim	Einstellscheibe	Cale de réglage	1	001370 (60x75x0,25)
35	Oljepåfylln.plugg	Oil drain plug	Ölablassschraube	Bouc.de vid.d'huile	1	001371
36	Skyddsskiva	Protective plate	Schutzbleck	Plaque de protection	1	001820
(j)	Extra tillbehör	Optional equipm.	Sonderzubehör	Acess supplementair		
(k)	15:1					
(kk)	11:1					



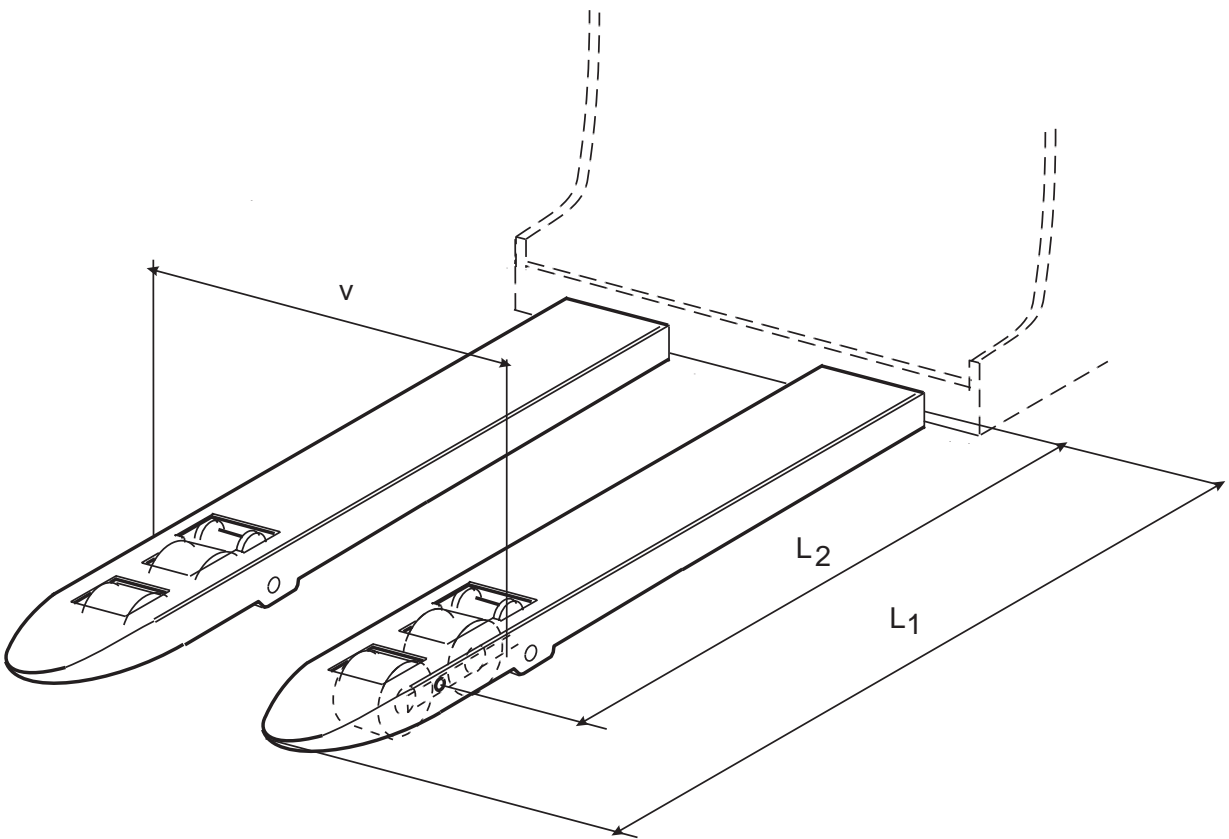
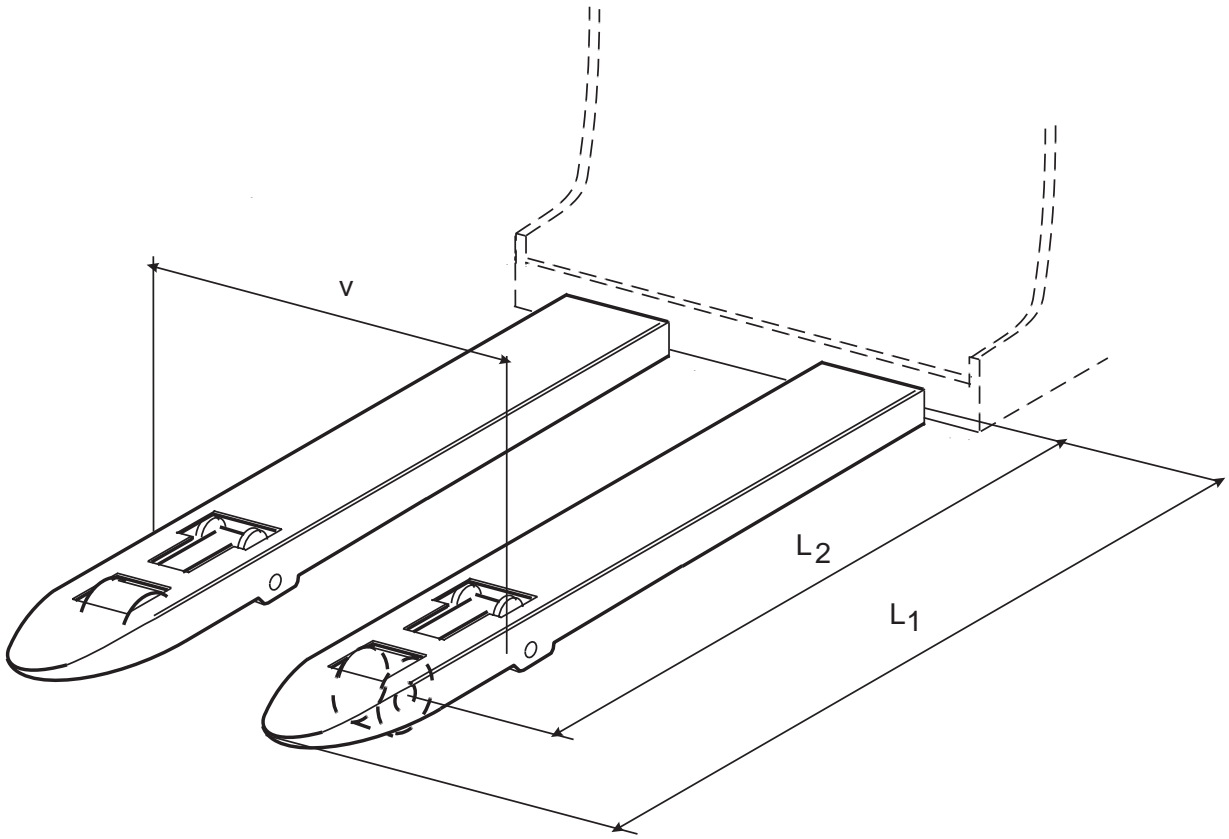
TL_060200_TL_-1993w05_2002A.eps



TL_060200_TL_1996w11-1999w48_2002A.eps



TL_060251_TL_1997w48-1999w48_2002A.eps



TL_060800_TLL TLP__2002A.eps

Edition 2002A

**STYRNING - STEERING -
LENKUNG - COMMANDE ET DIRECTION**

TLL (Old)

Pos.	Beskrivning	Designation	Bezeichnung	Dénomination	Qty	Part No.
1	Skruv MC6S 8x16	Screw	Schraube	Vis	8	010629
2	Fj.bricka FBB 8,2	Spring washer	Federring	Rondelle grower	11	012275
3a	Bussning	Bushing	Buchse	Bague	1	001479
3b	Lagerhus	Bearing housing	Lagergehäuse	Palier	1	078393
3c	Lagerhus	Bearing housing	Lagergehäuse	Palier	1	078603
4	Styraxel	Steering axle	Lenkachse	Axe de commande	1	078064
5	Flänslagerhus	Bearing housing	Lagergehäuse	Palier	2	008271
6	Mutter ML6M22x1,5	Nut	Mutter	Ecrou	1	012154
7	Vågad fjäderbricka	Waved washer	Wellfeder	Rond grower nervée	1	001434
8	Fäste	Holder	Halter	Porteoutil	1	078098
9	Kabelstyrning	Cable guidance	Kabel	Cable	1	078138
10	Skruv MCS 4x10	Screw	Schraube	Vis	1	011290
11	Fj.bricka FBB 4,1	Spring washer	Federring	Rondelle grower	1	012267
12	Kabellåsning	Cable	Kabel	Cable	1	078330
13	Skyddsplåt	Protective plate	Schützbleck	Plaque de protection	1	(See section 4)
14	Styraxel	Steering axle	Lenkachse	Axe de commande	1	078063
15	Sp.stift FRP 5x20	Pin	Spannstift	Goupille	1	012915
16	Manöverarm	Tiller arm	Steuerarm	Timon	1	076816 (See "Steering arm")
18	Kulled	Swivel joint	Kugelgelenk	Rotule d'articulat.	1	076593
19	Gasfjäder	Gas spring	Gasfeder	Ressort de gaz	1	001329
20	Flänslager	Bearing	Lager	Roulement	2	001415
21	Axel	Axle	Achse	Axe	1	078466
22	Fj.bricka FBB 5,1	Spring washer	Federring	Vis	3	012269
23	Skruv M6S 5x12	Screw	Schraube	Vis	3	010058
24	Skruv MCS 3x25	Screw	Schraube	Vis	2	011274
25	Fj.bricka FBB 3,1	Spring washer	Federring	Rondelle grower	4	012265
26	Induktiv givare	Inductive sensor	Induktiv geber	Capteur par induction	1	(See "Steering arm")
27	Bricka BRB 3,2x6	Washer	Scheibe	Rondelle	2	012365
28	Mutter M6M 3	Nut	Mutter	Ecrou	2	012110
29	Mutter M6M 6	Nut	Mutter	Ecrou	1	012116
30	Manöverarmsstopp	Tiller arm stop	Steuerarmstopp	Talon de butée	1	078281
31	Gummibuffert	Rubber bumper	Anschlaggummi	Tampon en caoutchouc	1	001187
33	Styrkedja	Steer.tr.chain	Kette	Chaîne	1	078085
34	Styrkedja	Steer.tr.chain	Kette	Chaîne	2	078084
35	Skruv MC6S 8x50	Screw	Schraube	Vis	2	010647
36	Mutter M6M 6	Nut	Mutter	Ecrou	2	012116
37	Skruv MC6S 6x30	Screw	Schraube	Vis	2	010589
38	Fäste	Holder	Halter	Porteoutil	1	078411
40	Kedjesträckare	Chain tensioner	Kettenspanner	Tendeur de la chaîne	2	078412
42	Skruv MF6S 8x35	Screw	Schraube	Vis	2	011035
43	Låsbricka AZV8x35	Lock washer	Sicherungsscheib.	Rondelle freine	2	012316
44	Kedjestopp	Chain stopp	Kettenanschlag	Stop de chaîne	2	078414
48	Rak kopplingslänk	Direct coupling	Verschraubung	Raccord droite	4	008864

TL_070100_TLL_Old_2002A.fm

CLICK HERE TO **DOWNLOAD** THE COMPLETE MANUAL

- Thank you very much for reading the preview of the manual.
- You can download the complete manual from: www.heydownloads.com by clicking the link below



- Please note: If there is no response to CLICKING the link, please download this PDF first and then click on it.

CLICK HERE TO **DOWNLOAD** THE COMPLETE MANUAL

Edition 2003A

**STYRNING - STEERING -
LENKUNG - UNITÉ DE COMMANDE**

TLP (TLP2149 =>2002w42)

Pos.	Beskrivning	Designation	Bezeichnung	Dénomination	Qty	Part No.	
1	Gaffel	Fork	Gabel	Fourche	1	078347	
2	Bricka SRB 9X18	Washer	Federring	Rondelle	1	012406	
3	Gasfjäder	Gas spring	Gasfeder	Ressort de gaz	1	100611	
4	Skruv M6S 8x35	Screw	Schraube	Vis	1	014726	
5	Fj. bricka FBB 8,2	Spring washer	Federring	Rondelle grower	1	012275	
6	Länkhuvud	Eye bolt	Gelenklager	Axe d'articulation	1	100612	
7	Bricka	Washer	Scheibe	Rondelle	4	012375	
8	Manöverarm	Tiller arm	Steuerarm	Timon		See 7.3	
9	Låsmutter M5	Locking nut	Mutter	Ecrou de blocage	2	012159	
10	Bricka	Washer	Scheibe	Rondelle	2	012369	
11	Mikrobrytare	Micro switch	Mikroschalter	Micro-interrupteur		See section 10	
12	Skruv MCS 5x22	Screw	Schraube	Vis	2	011331	
13	Flänslager	Bearing	Lager	Roulement	2	008548	
14	Kam	Cam	Nocke	Came	1	078556	
15	St.skruv P6SS 4x6	Locking screw	Stoppschraube	Vis d'arrêt	1	011662	
	St.skruv P6SS 5x6	Locking screw	Stoppschraube	Vis d'arrêt	1	011642 (jj)	
16	Mutter ML6M22x1,5	Nut	Mutter	Ecrou	1	012154	
17	Vågad fjäderbricka	Waved washer	Wellfeder	Rond élast. nervée	1	001434	
18	Anslagsbuffert	Stop sleeve	Anschlag	Butoir	1	003777	
19	Skruv MC6S 6x25	Screw	Schraube	Vis	1	010586	
20	Fj. bricka FBB 6,1	Spring washer	Federring	Rondelle grower	1	012271	
21	Plastklamma	Plastic clamp	Kunststoffklammer	Bride plastique	1	003467	
22	Skruv M6S 6x12	Screw	Schraube	Vis	1	010089	
23	Fj. bricka FBB 6,1	Spring washer	Federring	Rondelle grower	1	012271	
24	Bricka	Washer	Scheibe	Rondelle	1	012371	
25	Skruv M6S 5x12	Screw	Schraube	Vis	1	010089	
26	Fj. bricka FBB 5,1	Spring washer	Federring	Rondelle grower	1	012269	
27	Axel	Axle	Achse	Axe	1	078466	
28	Fj. bricka FBB 8,2	Spring washer	Federring	Rondelle grower	1	012275	
29	Skruv MC6S 8x10	Screw	Schraube	Vis	1	010623	
30	Fäste	Holder	Halter	Porteoutil	1	078383	
31	Bussning	Bushing	Buchse	Bague	1	001479	
32	Lagerhus	Bearing housing	Lagergehäuse	Roulement	1	078393	
34	Skruv MC6S 10x16	Screw	Schraube	Vis	2	010687	
35	Fj. bricka FBB 10,2	Spring washer	Federring	Rondelle grower	2	012279	
37	Styraxel	Steering axle	Lenkachse	Axe de commande	1	078062	
(j)	From machine no:	1459,1707,1792,1836-1838 1841,1896,1909,1912-1913 1916-1917,1926-1949,1952 1963-2049,2051-2093,2101, 2103-2118,2120-2129,2137, 2139-2143,2149					
(jj)	From: 1995-						
(r)	Machines manufactured after 1999w05						
(rr)	Machines manufactured before 1999w04						

Edition 2002A

**MANÖVERARM - STEERING ARM -
STEUERARM - TIMON**

TL (1993w48 =>TLL1717, 1719-1722/ TLP2049, 2051-2060, 2083-2093, 2103-2116, 2118-2129)

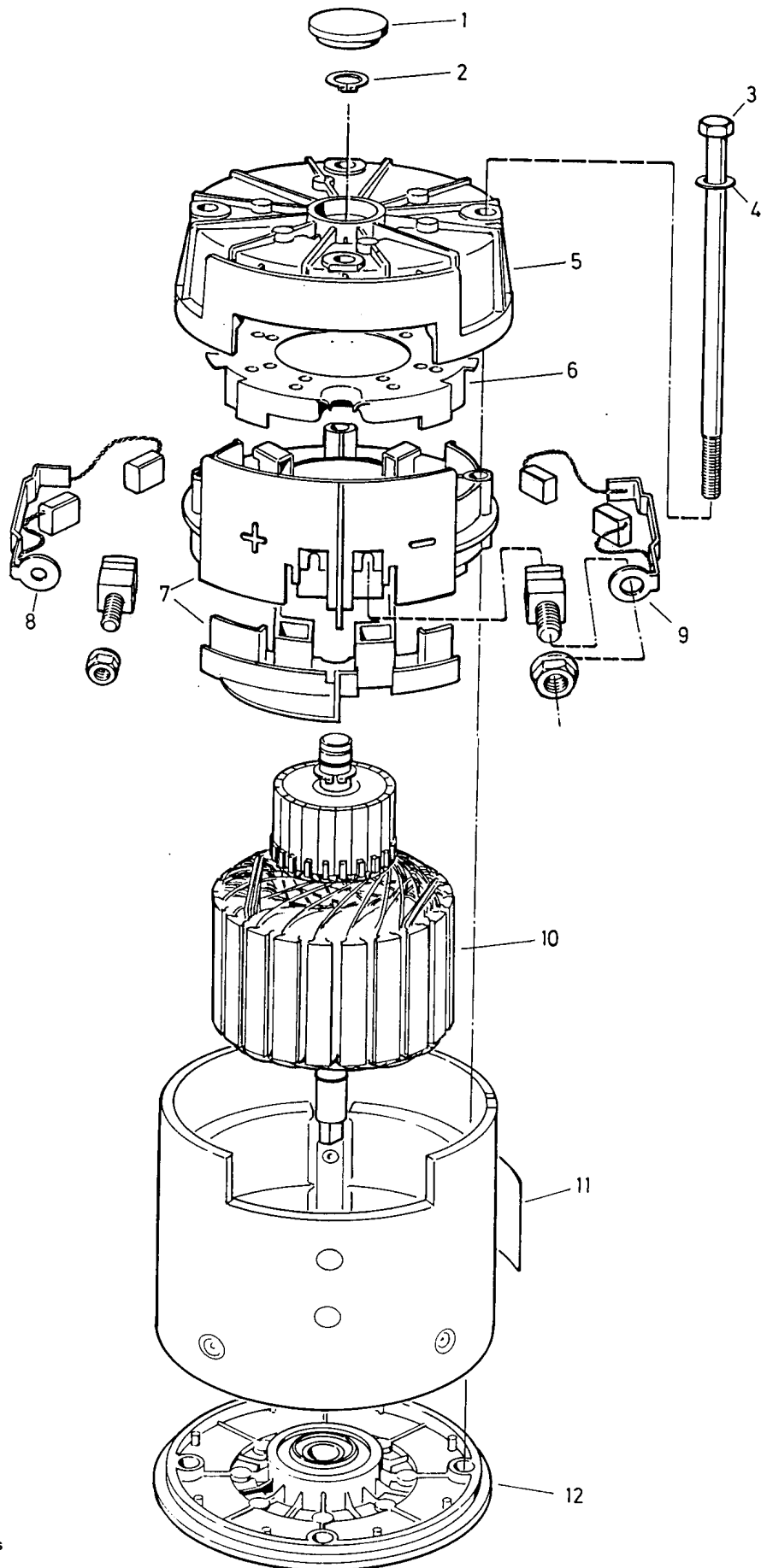
Pos.	Beskrivning	Designation	Bezeichnung	Dénomination	Qty	Part No.	
1	Manöverarm- kompl.	Steering arm- assy.	Steuerarm- vollst.	Timon- compl.	1	(TLL)(j)	
					1	(TLP)(jj)	
1	Nödbrytare	Emergency sw.	Notschalter	Contact de secour	1	078647	
2	Tryckfjäder	Spring	Druckfeder	Ressort	1	001327	
3	Fjäder	Spring	Feder	Ressort	1	076801	
4	Mutter	Nut	Mutter	Ecrou	2	See pos 33	
5	Manöverarm	Steering arm	Steuerarm	Timon	1	078606 (TLL)	
	Manöverarm	Steering arm	Steuerarm	Timon	1	078610 (TLP)	
6	Manövervinge	Operating wing	Bedienungsflüg.	Ailette de commande	2	078568	
7	Spårryttare	Lock washer	Sicherungssch.	Clip	2	015001	
8	Skruv MRX 4.8	Screw	Schraube	Vis	10	015037	
9	Handtag, undre	Handle	Handgriff	Poignée	2	076807 (k)	
10	Dekal,sidofskjutn.	Sticker,sideshift	Sticker,s.sch.	Autocollant,depl.latéral	1	078358	
11	Fäste	Holder	Halter	Porteoutil	2	076833	
12	Knapp	Button	Knopf	Bouton	2	076810	
13	Mikrobrytare	Micro switch	Mikroschalter	Micro-interrupteur	4	009845	
	Mikrobrytare	Micro switch	Mikroschalter	Micro-interrupteur	4	005484 (e)	
14	Kabelstam, - handtag	Cable assy, - handle	Stamkabel, - Handgriff	Cable circ.princip., - Poignée	2	078213	
15	Handtag, övre	Handle	Handgriff	Poignée	2	076808 (k)	
16	Kabelstam, - fartreglage	Main cable, - speed controller	Stamkabel, - Fahrschalter	Cable circ.principal, - réglage de commande	1	078604	
17	Kablage, - frysrum	Cable, - Coldstore	Kabel, - Gefrierraum	Cable, - Chambre frigorifique	1	078218 (e)	
18	Manöverkabel,- kompl.	Light curr.cable- assy.	Steuerleitung,- vollst.	Cable de commande,- compl.	1	078601	
19	Mutter	Nut	Mutter	Ecrou	10	078455	
20	Spårryttare	Lock washer	Sicherungssch.	Clip	2	015002	
21	Stoppring	Adjuster ring	Halterring	Bague d'arrêt	2	001487 (incl.pos 22)	
22	Skruv S6SS 4x5	Screw	Schraube	Vis	2	011411	
23	Bussning	Bushing	Buchse	Bague	2	078619	
24	Vridfjäder	Torsion spring	Drehfeder	Ressort de torsion	1	076804	
25	Axel,fartreglage	Axle,speed contr.	Achse,Fahr- schalt.	Axe	1	078579	
26	Mutter, nyloc	Nut	Mutter	Ecrou	2	012155	
27	Skruv M6S 6x20	Screw	Schraube	Vis	1	010097	
28	Hållare	Bracket	Konsole	Support	1	078565	
29	Plastnit	Plastic rivet	Kunststoffniet	Rivet plastique	4	001493	
(j)	From:	1653-1654,1661-1662, 1664-1667,1670-					
(jj)	From:	1455-1456,1460,1631-1633 1708-1712,1750-1753, 1758-1762,1775,1794-1804, 1809-1824,1826-1835,1839, 1842,1849-1851,1856-					
(k)	Can only be ordered in pairs						

TL_070200_TL_1993w48-TL1700_2002A.fm

**MANÖVERARM - TILLER ARM -
STEUERARM - TIMON**

TL (TLL 1995w36/ TLP 1995w40 => 2000w04)

Pos.	Beskrivning	Designation	Bezeichnung	Dénomination	Qty	Part No.
41	Skruv MCS 3x18	Screw	Schraube	Vis	4	011269
42	Bricka	Washer	Scheibe	Rondelle	4	012401
43	Bricka	Washer	Scheibe	Rondelle	4	012365
44	Låsmutter M6M3	Locking nut	Mutter	Ecrou de blocage	4	012155
45	Styrning	Steering	Lenkung	Commande et direction		See "Steering"
(k)	Can only be ordered in pairs					



TL_080601_TL_2002A.eps

MASTER MANUAL

Machine: TL

Manual No: 005814

TABLE OF CONTENT

Chapter 9

LYFTCYLINDER - LIFT CYLINDER - HUBZYLINDER - VÉRIN DE LEVAGE

Edition 2002B

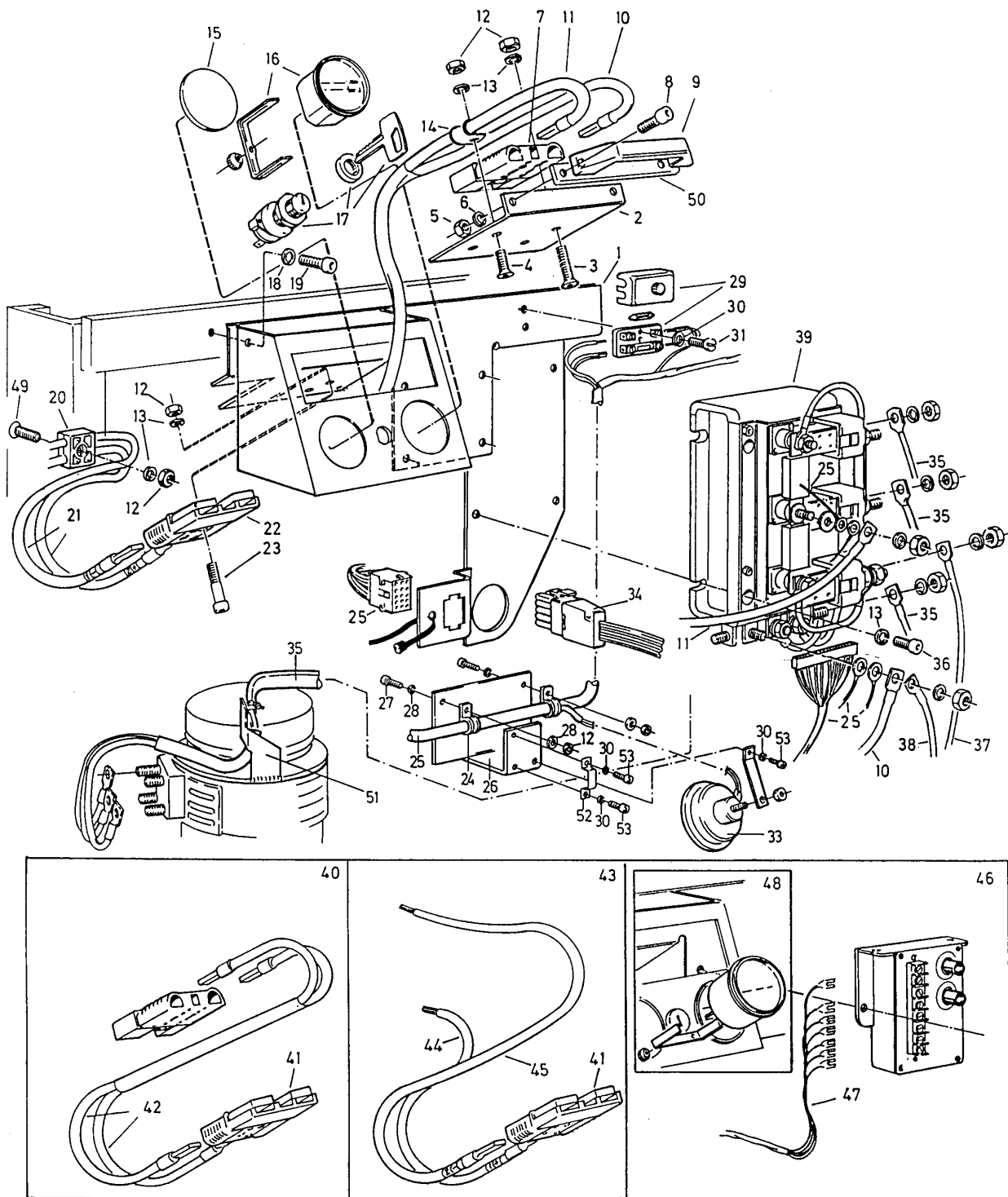
**LYFTCYLINDER - LIFT CYLINDER
HUBZYLINDER - VÉRIN DE LEVAGE**

TL 9.3

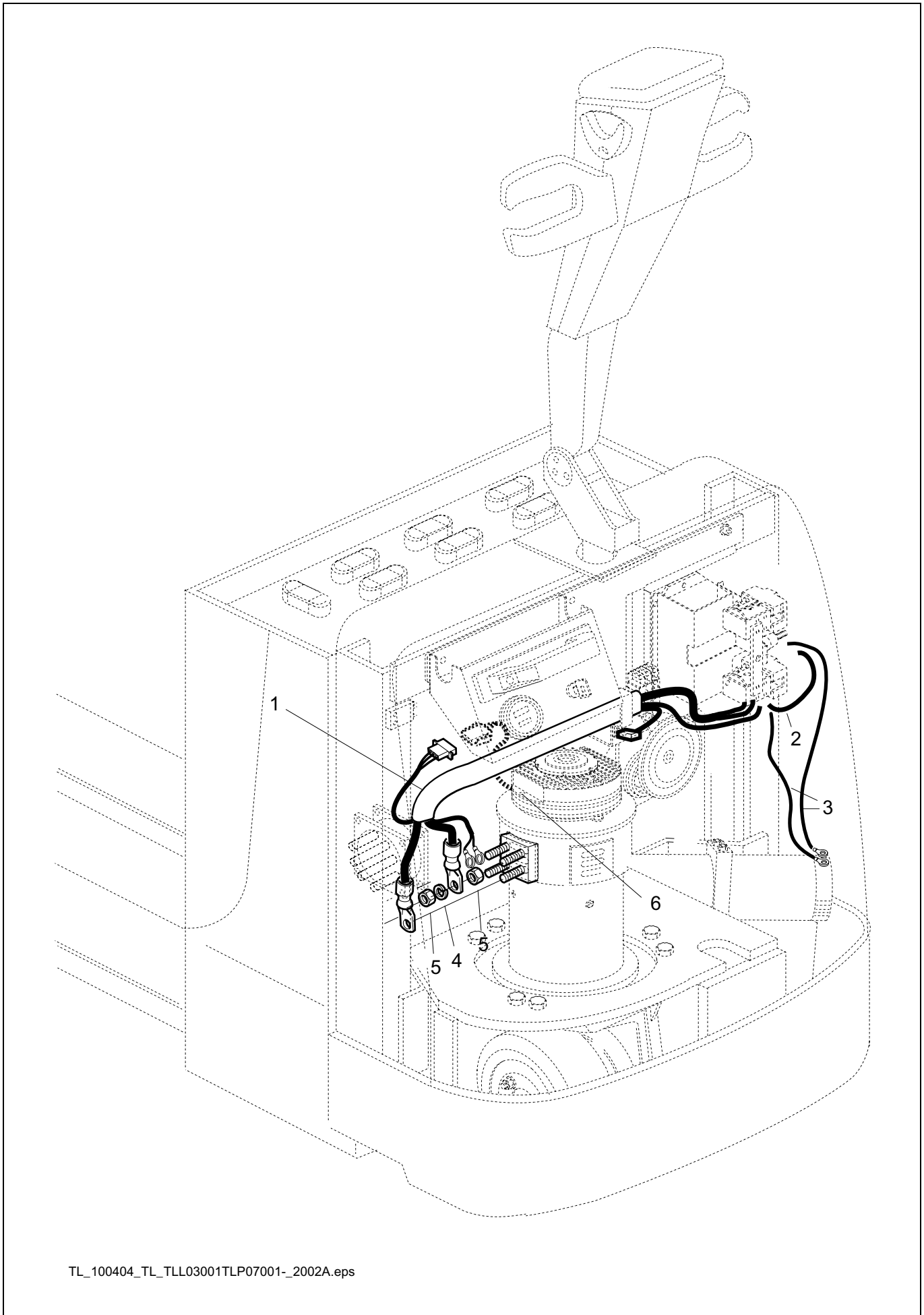
Edition 2002A

**SIDOFÖRSKJUTNINGSCYLINDER - SIDESHIFT CYLINDER
SEITENSCHIEBEZYLINDER - VÉRIN DEP. LATÉRAL**

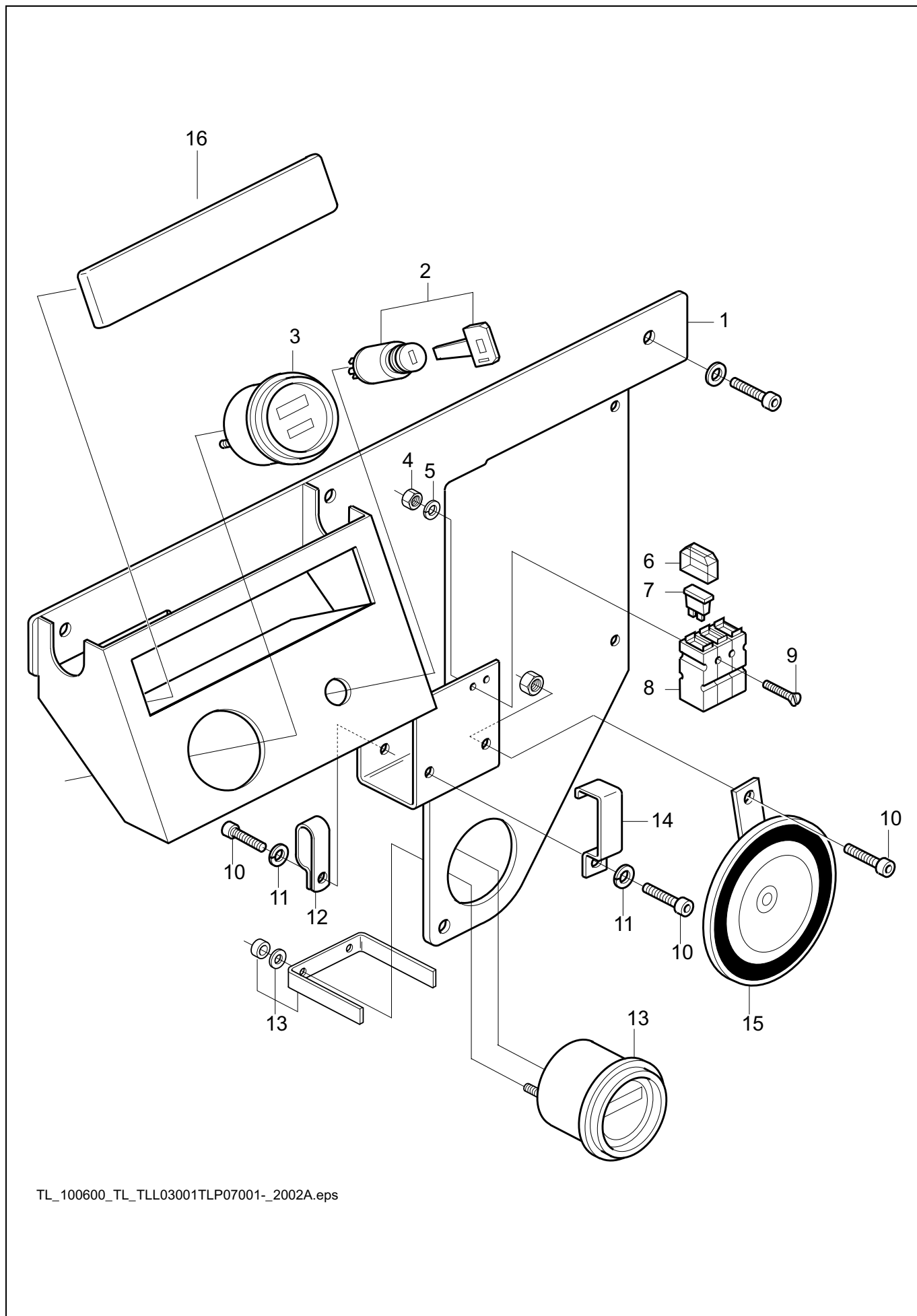
TLLS/TLPS (=> 2001w52) 9.5



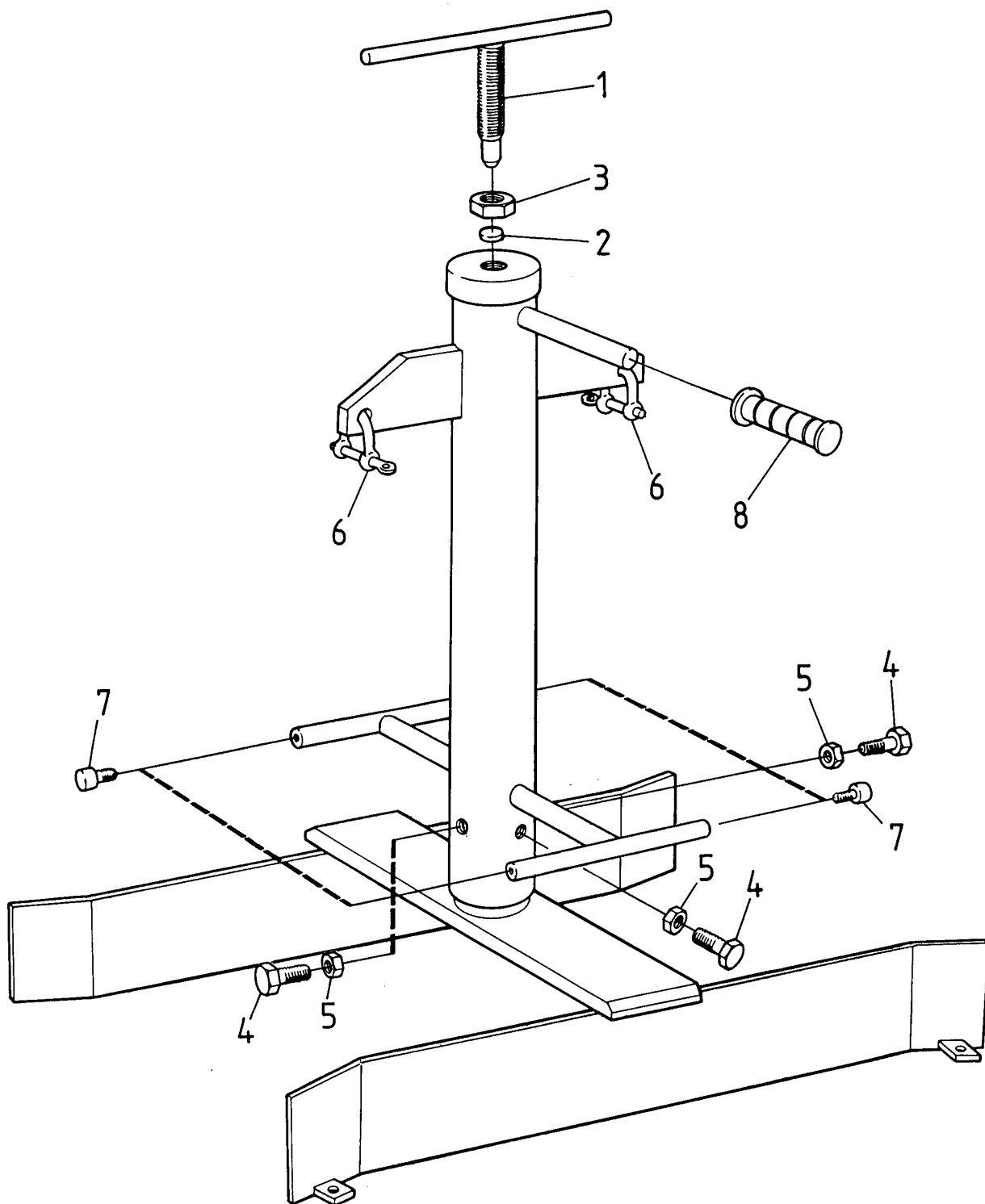
TL_100102_TL_-1996w02_2002A.eps



TL_100404_TL_TLL03001TLP07001-_2002A.eps



TL_100600_TL_TLL03001TLP07001-_2002A.eps



TL_120100_TL_2002A.eps

CLICK HERE TO **DOWNLOAD** THE COMPLETE MANUAL

- Thank you very much for reading the preview of the manual.
- You can download the complete manual from: www.heydownloads.com by clicking the link below



- Please note: If there is no response to CLICKING the link, please download this PDF first and then click on it.

CLICK HERE TO **DOWNLOAD** THE COMPLETE MANUAL