

Parts Manual

Machine: PS/PSH

Manual No: 159251

Edition: 2013B

Arbetsledarinstruktion
Works Manager Instructions
Betriebsleiterinstruktion
Instruction de chef d'atelier

Serviceföreskrifter
Service Instructions
Wartungsanweisung
Instructions d'entretien

Förarinstruktion
Driver Instruction
Fahrerinstruktion
Instruction de conducteur

Edition: 2012B Chassi
Chassis
Rahmenteile
Châssis

Edition: 2013B Drivenhet
Drive Unit
Antrieb
Unité de traction

Edition: 2013A Mast
Mast
Mast
Mât

Edition: 2012A Styrning
Steering
Lenkung
Commande et direction

Edition: 2011A Hydraulsystem
Hydraulic System
Hydraulikanlage
Unité Hydraulique

Edition: 2013A Lyftcylinder
Lift Cylinder
Hubzylinder
Vérin de levage

Edition: 2012A Elsystem
Electrical System
Elektrische Anlage
Système Électrique

Edition: 2008B Fart- och bromssystem
Drive and Brake system
Fahr- und Bremsesystem
Système Vitesse Et Freinage

Edition: 2010B Övrigt
Miscellaneous
Sonstiges
Divers

CLICK HERE TO **DOWNLOAD** THE COMPLETE MANUAL

- Thank you very much for reading the preview of the manual.
- You can download the complete manual from: www.heydownloads.com by clicking the link below



- Please note: If there is no response to CLICKING the link, please download this PDF first and then click on it.

CLICK HERE TO **DOWNLOAD** THE COMPLETE MANUAL

Länkhjul PS, PSH (-2007w39) - Castor wheel PS, PSH (-2007w39)
Lenkrolle PS, PSH (-2007w39) - Roulette pivot PS, PSH (-2007w39)

Pos.	Beskrivning	Designation	Bezeichnung	Dénomination	Qty	Part No.
1	Hjul	see 116677	Rad	Roue	1	109974
2	Hjulgaffel	Caster wheel fork	Radgabel	Fourche de roue	1	109046
3	Axel	Axle	Achse	Axe	1	108720
	Axel <i>Cold store design</i>	Axle	Achse	Axe	1	109142
4	Fj. rörpinne FRP	Spring pin	Federstift	Goupille élastique	1	012919
5	Axel	Axle	Achse	Axe	1	109038
	Axel <i>Cold store design</i>	Axle	Achse	Axe	1	109153
6	Fjäderbricka	Spring washer	Federring	Rondelle grower	1	012271
7	Skruv MC6S M6x12	Screw MC6S M6x12	Schraube	Vis	1	010575
8	Distansbussning	Distance bush	Distanzbuchse	Entretoise	2	109979
	Distansbussning <i>Cold store design</i>	Distance bush	Distanzbuchse	Entretoise	2	116193
9	Skruv MC6S M8x50	Screw MC6S M8x50	Schraube	Vis	2	010647
10	Glidlager	Sliding bearing	Gleitlager	Coussinet lisse	2	008503
11	Lagerhus	Bearing housing	Lagergehäuse	Palier	1	109047
12	Lager	Bearing	Lager	Roulement	1	109920
13	Tättningsbricka	Sealing washer	Dichtungsscheibe	Bague d'étanchéité	1	013936
14	Fästplatta	Anchor plate	Lagerplatte	Plaque de fixation	1	109045
15	Fjäderbricka	Spring washer	Federring	Rondelle grower	4	012279
16	Skruv M6S M10x30	Screw M6S M10x30	Schraube	Vis	4	010208
17	Mutter M6M Nyloc M8	Nut M6M Nyloc M8	Mutter M6M Nyloc M8	Ecrou M6M Nyloc M8	2	012163
18	Lager	Bearing see 001	Lager	Roulement	1	109917
19	Tättningsbricka	Sealing Washer	Dichtungsscheibe	Bague d'étanchéité	1	013935
20	Bricka	Washer	Scheibe	Rondelle	1	012395
21	Kronmutter	Castle nut	Kronenmutter	Ecrou à crenaux	1	012249
22	Saxpinne	Split pin 5*45	Splint	Goupille fendue	1	013176
23	Shim <i>Use as many as necessary</i>	Shims plate 2 mm	Einstellscheibe	Cale de réglage	1	115701
24	Shim <i>Use as many as necessary</i>	Shims plate 5mm	Einstellscheibe	Cale de réglage	1	115705
26	Bricka	Washer	Scheibe	Rondelle	4	012375
1001	Castor Wheel See 116670 <i>Incl. pos 1-22</i>	Caster wheel	Lenkrolle	Roulette pivotante	1	116653
	Länkhjul <i>Incl. pos 1-22. Cold store design</i>	Caster wheel	Lenkrolle	Roulette pivotante	1	116654

Maskinskylt PS/PSH - Machine plate PS/PSH
Maschinenschild PS/PSH - Identificat. de mach PS/PSH

Pos.	Beskrivning	Designation	Bezeichnung	Dénomination	Qty	Part No.
1	Maskinskylt <i>-06w36 PSH Straddle lift</i>	Machine plate	Typenschild	Identificat. de mach.	1	039900
	Maskinskylt <i>-06w36 USA</i>	Machine Plate	Typenschild	Identificat. de mach.	1	059030
	Maskinskylt, CE <i>-06w36 CE</i>	Machine Plate, CE,Steel	Typenschild, CE, Blech	Identificat. de mach., CETôle	1	060203
	Maskinskylt <i>-06w36 Rus</i>	Machine Plate	Typenschild	Identificat. de mach.	1	060214
	Maskinskylt <i>-06w36 Esp, Por, Ita</i>	Machine Plate	Typenschild	Identificat. de mach.	1	122155
2	Maskinskylt, mast <i>06w37- Eng</i>	Machine plate, mast	Typenschild, mast	Ident. de mach., mât	1	104882
	Maskinskylt, mast <i>06w37- Ger/Eng</i>	Machine plate, mast	Typenschild, mast	Ident. de mach., mât	1	104883
	Maskinskylt, mast <i>06w37- Spa/Eng</i>	Machine plate, mast	Typenschild, mast	Ident. de mach., mât	1	104884
	Maskinskylt, mast <i>06w37- Rus/Eng</i>	Machine plate, mast	Typenschild, mast	Ident. de mach., mât	1	104885
	Maskinskylt, mast <i>06w37- Por/Eng</i>	Machine plate, mast	Typenschild, mast	Ident. de mach., mât	1	104886
	Maskinskylt, mast <i>06w37- Ita/Eng</i>	Machine plate, mast	Typenschild, mast	Ident. de mach., mât	1	104887
	Maskinskylt, mast <i>06w37- USA</i>	Machine plate, mast	Typenschild, mast	Ident. de mach., mât	1	104888
	Maskinskylt, mast <i>06w37- Fra/Eng</i>	Machine plate, mast	Typenschild, mast	Ident. de mach., mât	1	104889
	Maskinskylt, mast <i>09w36- Swe/Eng</i>	Machine plate, mast	Maschinenschild, mast	Identificat.de mach, mât	1	114475
	Maskinskylt, mast <i>09w36- Pol/Eng</i>	Machine plate, mast	Maschinenschild, mast	Identificat.de mach, mât	1	114498
3	Maskinskylt, mast <i>09w36- Grc/Eng</i>	Machine plate, mast	Maschinenschild, mast	Identificat.de mach, mât	1	114499
	Maskinskylt, mast <i>09w36- Est/Eng</i>	Machine plate, mast	Maschinenschild, mast	Identificat.de mach, mât	1	114500
	Maskinskylt, mast <i>09w36- Nor/Eng</i>	Machine plate, mast	Maschinenschild, mast	Identificat.de mach, mât	1	114501
	Maskinskylt, mast <i>09w36- Tur/Eng</i>	Machine plate, mast	Maschinenschild, mast	Identificat.de mach, mât	1	114502
	Maskinskylt, mast <i>09w36- Fin/Eng</i>	Machine plate, mast	Maschinenschild, mast	Identificat.de mach, mât	1	114503
	Maskinskylt, mast <i>09w36- Lva/Eng</i>	Machine plate, mast	Maschinenschild, mast	Identificat.de mach, mât	1	114504
	Maskinskylt, mast <i>09w36- Ltu/Eng</i>	Machine plate, mast	Maschinenschild, mast	Identificat.de mach, mât	1	114505
	Maskinskylt, mast <i>09w36- Den/Eng</i>	Machine plate, mast	Maschinenschild, mast	Identificat.de mach, mât	1	114506
	Maskinskylt, mast <i>09w36- Nld/Eng</i>	Machine plate, mast	Maschinenschild, mast	Identificat.de mach, mât	1	114507

PS_050300_2007w48-_2013B

1001 — Drive motor, assy.

1002 — Service kit
External speed
sensor.

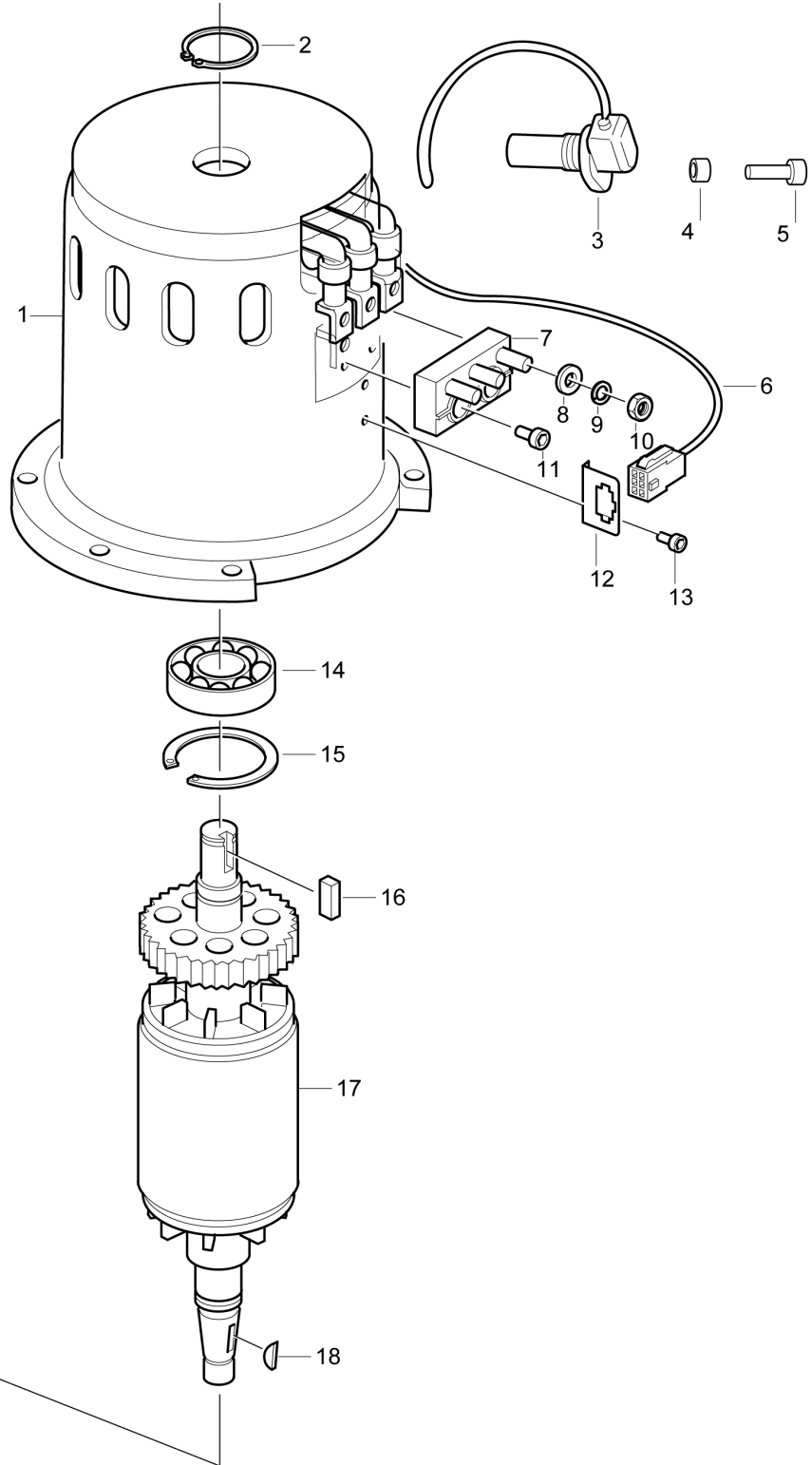
1003 — Service kit
Frame.

1004 — Service kit
Rotor.

1005 — Service kit
Hub.

1006 — Service kit
Ball bearings.

1007 — Service kit
Small parts.



Mast PS TV (-2006w31) - Mast PS TV (-2006w31)
Hubmast PS TV (-2006w31) - Mât PS TV (-2006w31)

Pos.	Beskrivning	Designation	Bezeichnung	Dénomination	Qty	Part No.
18	Gaffelvagn 1000 mm	Fork carriage	Schlitten	Tablier de fourches	1	115501
	Gaffelvagn 1000 mm. Cold store design	Fork carriage	Schlitten	Tablier de fourches	1	140398
	Gaffelvagn 1200 mm. Cold store design	Fork carriage	Schlitten	Tablier de fourches	1	140399
19	Mutter	Nut	Mutter	Ecrou	2	109860
20	Kedjebult L=91	Chain bolt	Kettenbolzen	Chape de chaîne	2	109778
21	Saxpinne	Split Pin	Replacin Splint	Goupille fendue	8	109905
22	Kedjebult	Chain bolt	Replaci Kettenbolzen	Chape de chaîne	4	109799
23	Skruv MC6S M6x30 -06w19	Screw MC6S M6x30	Schraube, MC6S M6x30	Vis, MC6S M6x30	6	010589
24	Bricka (gummi) -06w19	Washer (rubber)	Scheibe (gummi)	Rondelle (caoutchouc)	12	109811
25	Bricka -06w19	Washer	Scheibe	Rondelle	6	109809
26	Distans -06w19, L=10	Distance bush	Distanzbuchse	Entretoise	6	140067
	Distans -06w19, L=20	Distance bush	Distanzbuchse	Entretoise	6	140068
	Distans -06w19, L=30	Distance bush	Distanzbuchse	Entretoise	6	140069
27					6	115884
28	Bricka	Washer	Scheibe	Rondelle	6	109853
29	Stoppskruv MP6SS 6x8 Cold store design	Locking screw	Stoppschraube	Vis d'arrêt	4	011687
30	Smörjnippel Cold store design	Lubricator	Schmiernippel	Graisser	4	109934
31	Skyddsruta 06w20-, H4=2690	Protective pane	Schutzscheibe	Carreau de protection	1	116624
	Skyddsruta 06w20-, H4=2990	Protective pane	Schutzscheibe	Carreau de protection	1	116625
	Skyddsruta 06w20-, H4=3290	Protective pane	Schutzscheibe	Carreau de protection	1	116627
	Skyddsruta 06w20-, H4=3590	Protective pane	Schutzscheibe	Carreau de protection	1	116628
32	Skruv MC6S M5x16 06w20-	Screw MC6S M5x16	Schraube	Vis	10	010544
33	Bricka 06w20-	Washer	Scheibe	Rondelle	10	014995
34	Bricka (gummi) 06w20-	Washer (rubber)	Scheibe (gummi)	Rondelle (caoutchouc)	10	109811
35	Clips 06w20-	Clip	Klammer	Clip	10	014775
37	Saxpinne SP 06w20-	Split pin	Splint	Goupille fendue	4	013121

Mast PS TFV - Mast PS TFV
Hubmast PS TFV - Mât PS TFV

Pos.	Beskrivning	Designation	Bezeichnung	Dénomination	Qty	Part No.
41	Bricka 06w20-	Washer	Scheibe	Rondelle	610	014995
42	Bricka (gummi) 06w20-	Washer (rubber)	Scheibe (gummi)	Rondelle (caoutchouc)	610	109811
43	Clips 06w20-	Clip	Klammer	Clip	610	014775
44	Machine packer top	Machine packer top			2	115411
45	Saxpinne SP	Split pin	Splint	Goupille fendue	4	013121
46	Planbricka	Plain washer	Planscheibe	Rondelle plate	8	012371
47	Distans PS Combi. 2011w16-	Distance	Abstandshalter	Entretoise	1	150096

Mast/Stödben PSH 160 TV - Mast/Straddle legs PSH 160 TV
Mast/radarme PSH 160 TV - Mât/longerons PSH 160 TV

Pos.	Beskrivning	Designation	Bezeichnung	Dénomination	Qty	Part No.
47	Saxpinne	Split pin	Splint	Goupille fendue	4	013103
50	Saxpinnebult	Split pin bolt	Splintbolzen	Axe à tête	2	066077
51	Kåpa -06w12	Cover	Deckel	Carter	1	104738
52	Skruv, MC6S M6x20 -06w12	Screw, MC6S M6x20	Schraube, MC6S M6x20	Vis, MC6S M6x20	2	010583
53	Planbricka -06w12	Plain washer	Planscheibe	Rondelle plate	8	012371
54	Skruv	Screw	Schraube	Vis	8	109878
58	Skruv MC6S M6x30 -06w12	Screw MC6S M6x30	Schraube, MC6S M6x30	Vis, MC6S M6x30	6	010589
59	Bricka (gummi) -06w12	Washer (rubber)	Scheibe (gummi)	Rondelle (caoutchouc)	12	109811
60	Bricka -06w12	Washer	Scheibe	Rondelle	6	109809
61	Distans -06w12, L=10	Distance bush	Distanzbuchse	Entretoise	6	140067
	Distans -06w12, L=20	Distance bush	Distanzbuchse	Entretoise	6	140068
	Distans -06w12, L=30	Distance bush	Distanzbuchse	Entretoise	6	140069
62	Skyddsruta -06w12	Protective pane	Schutzscheibe	Carreau de protection	1	116605
63	Skyddsruta H4=2900, 06w13-	Protective pane	Schutzscheibe	Carreau de protection	1	116625
	Skyddsruta H4>2900, 06w13-	Protective pane	Schutzscheibe	Carreau de protection	1	116626
64	Skruv MC6S M5x16 06w13-	Screw MC6S M5x16	Schraube	Vis	68	010544
65	Bricka 06w13-	Washer	Scheibe	Rondelle	68	014995
66	Bricka (gummi) 06w13-	Washer (rubber)	Scheibe (gummi)	Rondelle (caoutchouc)	68	109811
67	Clips 06w13-	Clip	Klammer	Clip	68	014775

Mast/Stödben PSH 200 TFV - Mast/Straddle legs PSH 200 TFV
Mast/Radarme PSH 200 TFV - Mât/Longerons PSH 200 TFV

Pos.	Beskrivning	Designation	Bezeichnung	Dénomination	Qty	Part No.
1	Yttermast + stödben <i>STFV</i>	Outer mast + str. legs	Auss. mast + radarme	Mât ext. + longerons	1	105864
	Yttermast + stödben <i>BTFV</i>	Outer mast + str. legs	Orc Auss. mast + radarme	Mât ext. + longerons	1	105866
2	Innermast	Inner mast	Order I Innenmast	Mât intérieur	1	105868
3	Fingerskydd	Fing.prot.top	Fingerschutz	Protect.de doigt	1	150645
4	Bricka (gummi)	Washer (rubber)	Scheibe (gummi)	Rondelle (caoutchouc)	2	109811
5	Skruv MC6S M5x25	Screw MC6S M5x25	Schraube	Vis	2	010551
6	Bricka	Washer	Scheibe	Rondelle	2	014995
7	Fingerskydd <i>2012w42-, H4=2900, PSH 200TFV</i>	Finger prot.TFV-H H4=290	Fingerschutz	Protect.de doigt	1	150602
	Fingerskydd <i>2012w42-, H4=3600, PSH 200TFV</i>	Finger prot.TFV-H H4=360	Fingerschutz	Protect.de doigt	1	150603
	Fingerskydd <i>2012w42-, H4=1670, PSH 200TFV</i>	Finger prot.TFV-H H4=167	Fingerschutz	Protect.de doigt	1	150611
	Fingerskydd <i>2012w42-, H4=3200, PSH 200TFV</i>	Finger prot.	Fingerschutz	Protect.de doigt	1	150612
	Fingerskydd <i>2012w42-, H4=OTHER, L=H4/2-470, PSH 200TFV</i>	Fingr.prot.TFV-H H4=other	Fingerschutz	Protect.de doigt	1	150626
8	Clips <i>Cut to desired length</i>	Clip	Klammer	Clip	2	014775
9	Smörjnippel	Lubricator	Schmiernippel	Graisseur	4	008953
10	Distansbricka 1mm	Spacer ring 1mm	Distanzring 1mm	Rondel.décartement 1mm	14	105469
	Distansbricka 0.5mm	Spacer ring 0.5mm	Distanzring 0.5mm	Rondel.décartement 0.5mm	4	105470
11	Lastrulle Ø108.0 <i>Ø 108,0</i>	Load roller Ø108.0	Lastrolle Ø108.0	Poulie de charge Ø108.0	4	105318
	Lastrulle Ø108.5 <i>Ø 108,5</i>	Load rollerØ108.5	108 Lastrolle Ø108.5	Poulie cha.Ø108.5	4	105319
	Lastrulle Ø107.0 <i>Ø 107,0</i>	Load roller Ø107.0	D 1 Lastrolle Ø107.0	Poulie de charge Ø107.0	4	105328
	Lastrulle Ø107.5 <i>Ø 107,5</i>	Load roller Ø107.5	D 1 Lastrolle Ø107.5	Poulie de charge Ø107.5	4	105329
12	<i>See section 9</i>				1	
13	Skruv MC6S M12x70	Screw MC6S M12x70	Schraube	Vis	2	010777
14	Fjäderbricka	Spring washer	Federring	Rondelle grower	4	012283
15	Låsmutter	Locking nut	Mutter	Ecrou de blocage	2	012167
16	Bricka, sfärisk	Washer, spherical	Scheibe	Rondelle	2	001452
17	Bricka, sfärisk	Washer, spherical	Scheibe	Rondelle	2	001453
20	Skruv	Screw MC6S M8x25	Schraube	Vis	2	010636
23	Dämpare	Damper	Dämpfer	Modérateur	1	060215
27	Spännstift FRP 6x50	Roll pin FRP 6x50	Spannstift FRP 6x50	Goupille FRP 6x50	2	012945
28	Axel	Axle	Achse	Axe	2	055343
30	Boggiehjul, kompl. <i>Including pos. 30-35</i>	Bogie wh. assmby.	Boggierad kompl.	Roue de bogg. compl.	2	075145
	Boggiegaffel	Bogie frame	Boggierahmen	Cadre de bogie	2	075146
31	Axel	Axle	Achse	Axe	4	075839

Mast/Stödben PSH 200 DTFV - Mast/Straddle legs PSH 200 DTFV

Mast/Radarme PSH 200 DTFV - Mât/Longerons PSH 200 DTFV

Pos.	Beskrivning	Designation	Bezeichnung	Dénomination	Qty	Part No.
67	Clips 06w13-	Clip	Klammer	Clip	1	014775

Gaffelvagn PSH 160 ST/STFV/SDTFV - Fork carriage PSH 160 ST/STFV/SDTFV
Gabelschlitten PSH 160 ST/STFV/SDTFV - Chariot de levage PSH 160 ST/STFV/SDTFV

Pos.	Beskrivning	Designation	Bezeichnung	Dénomination	Qty	Part No.
1	Gaffelvagn <i>SDTFV</i>	Forkcarriage	150 fi Schlitten	Tablier de fourches	1	105139
	Gaffelvagn <i>STFV</i>	Fork carriage	Schlitten	Tablier de fourches	1	105200
	Gaffelvagn <i>SDTFV-H</i>	Fork carriage	DTFV Schlitten	Tablier de fourches	1	105443
	Gaffelvagn <i>ST</i>	Fork carriage	Schlitten	Tablier de fourches	1	105458
	Gaffelvagn <i>STFV-H</i>	Fork carriage	Schlitten	Tablier de fourches	1	105502
	Gaffelvagn <i>ST-H</i>	Fork carriage	150S1 Schlitten	Tablier de fourches	1	105526
10	<i>See section 9</i>				1	
11	Bricka	Washer	Scheibe	Rondelle	2	012375
12	Saxpinnebult	Split pin bolt	Splintbolzen	Axe à tête	2	066077
13	Saxpinne SP	Split pin	Splint	Goupille fendue	2	013117
16	Klämskydd	Protective plate	Schutzblech	Protection	2	105147
17	Skruv MFX-TT 6x16	Screw MFX-TT 6x16	Schraube	Vis	2	014785
20	Smörjnippel	Lubricator	Schmiernippel	Graisseur	4	105287
21	Distansbricka 1mm <i>1mm</i>	Spacer ring 1mm	Distanzring 1mm	Rondel. décartement 1mm	8	105032
	Distansbricka 0.5mm <i>0,5mm</i>	Spacer ring 0.5mm	Distanzring 0.5mm	Rondel. décartement 0.5mm	4	105280
22	Lastrulle Ø78.2 <i>Ø 78,2</i>	Load roller Ø78.2	Lastrolle Ø78.2	Poulie de charge Ø78.2	4	105036
	Lastrulle Ø78.6 <i>Ø 78,6</i>	Load roller Ø78.6	Lastrolle Ø78.6	Poulie de charge Ø78.6	4	105037
	Lastrulle Ø79.0 <i>Ø 79,0</i>	Load roller Ø79.0	Lastrolle Ø79.0	Poulie de charge Ø79.0	4	106086
23	Dämpare	Damper	Dämpfer	Modérateur	2	001385

Gaffelvagn PSH 200 SDTFV - Fork carriage PSH 200 SDTFV
Schlitten PSH 200 SDTFV - Forches PSH 200 SDTFV

Pos.	Beskrivning	Designation	Bezeichnung	Dénomination	Qty	Part No.
1	Gaffelvagn, smal SDTFV	Fork carriage	200D ¹ Schlitten	Tablier de fourches	1	105960
10	<i>See section 9</i>				1	
11	Bricka	Washer	Scheibe	Rondelle	2	012375
12	Saxpinnebult	Split pin bolt	Splintbolzen	Axe à tête	2	066077
13	Saxpinne SP	Split pin	Splint	Goupille fendue	2	013117
16	Klämskydd	Protective plate	Schutzblech	Protection	2	105147
17	Skruv MFX-TT 6x16	Screw MFX-TT 6x16	Schraube	Vis	2	014785
20	Smörjnippel	Lubricator	Schmiernippel	Graisseur	4	105287
21	Distansbricka 1mm 1,0mm	Spacer ring 1mm	Distanzring 1mm	Rondel. décartement 1mm	8	105032
	Distansbricka 0.5mm 0,5mm	Spacer ring 0.5mm	Distanzring 0.5mm	Rondel. décartement 0.5mm	4	105280
22	Lastrulle Ø108.0 Ø 108,0	Load roller Ø108.0	Lastrolle Ø108.0	Poulie de charge Ø108.0	4	105318
	Lastrulle Ø108.5 Ø 108,5	Load roller Ø108.5	108 Lastrolle Ø108.5	Poulie cha.Ø108.5	4	105319
	Lastrulle Ø107.0 Ø 107,0	Load roller Ø107.0	D 1 ¹ Lastrolle Ø107.0	Poulie de charge Ø107.0	4	105328
	Lastrulle Ø107.5 Ø 107,5	Load roller Ø107.5	D 1 ¹ Lastrolle Ø107.5	Poulie de charge Ø107.5	4	105329
23	Dämpare	Damper	Dämpfer	Modérateur	2	001385

CLICK HERE TO **DOWNLOAD** THE COMPLETE MANUAL

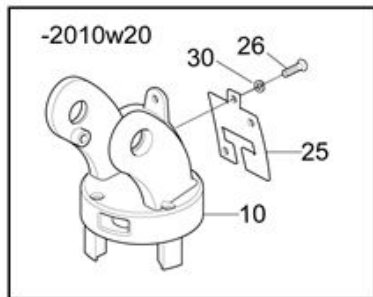
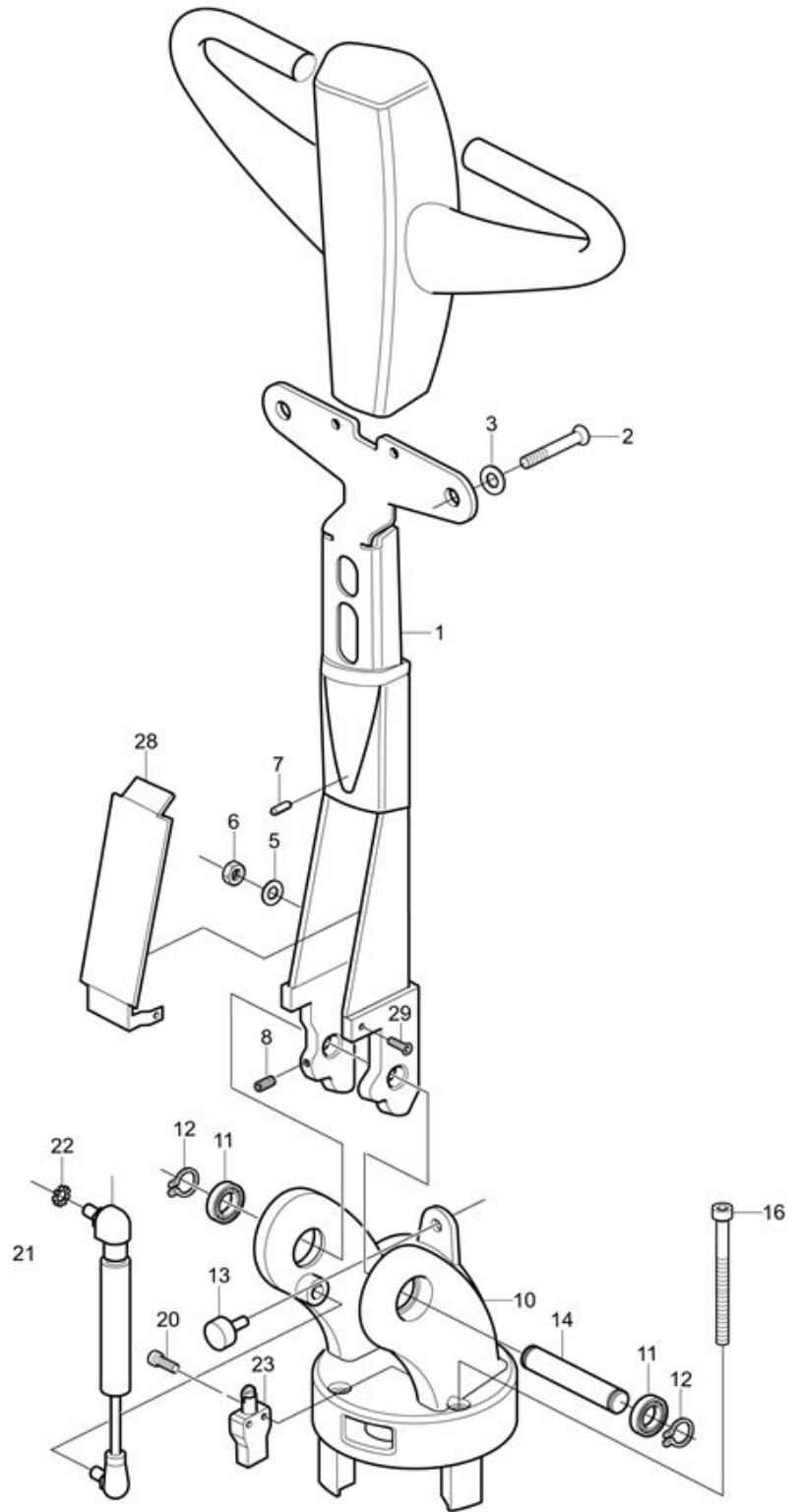
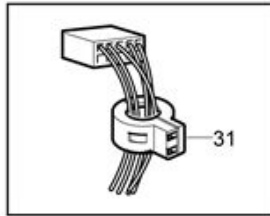
- Thank you very much for reading the preview of the manual.
- You can download the complete manual from: www.heydownloads.com by clicking the link below



- Please note: If there is no response to CLICKING the link, please download this PDF first and then click on it.

CLICK HERE TO **DOWNLOAD** THE COMPLETE MANUAL

PS_070202_2010B



Hydraulenhets PS (-2007w23) - Hydraulic unit PS (-2007w23)

Hydraulaggregat PS (-2007w23) - Aggregat hydraulique PS (-2007w23)

Pos.	Beskrivning	Designation	Bezeichnung	Dénomination	Qty	Part No.
1	Hus	Housing	Gehäuse	Carter	1	109324
2	Axeltätning	Axle sealing	Achsedichtung	Étanchéité d'Axe	1	108239
3	Tryckbegr. ventil	Relief valve	Druckbegr. ventil	Soupape de refoulement	1	108148
4	Ventil	Valve	Ventil	Valve	1	109325
5	Backventil	Check valve	Rückschlagventil	Clapet de retenue	1	108240
8	Packningssats	Gasket set	Dichtungssatz	Jeu de joints	1	108150
9	Filter	Filter	Filter	Filtre	1	108251
10	Skruv	Screw	Schraube	Vis	3	108252
11	Pump	Pump	Pumpe	Pompe	1	109326
12	Sugrör	Suction pipe	Ansaugrohr	Tube	1	109327
13	Tank	Tank			1	109328
14	Påfyllningsplugg	Filler plug	Einfüllschraube	Bouchon de remplissage	1	109329
17	Ventil	Valve	Ventil	Valve	1	109332
19	Valve	Valve			1	109334
20	Magnetventil	Solenoid valve	Magnetventil	Valve électromagnétique	1	109335
21	Medbringare, kit	Carrier, kit	Mitnehmer, satz	Entraîneur, kit	1	108146
22	Pumpmotor	Pumpmotor	Pumpenmotor	Moteur de pompe	1	108144
23	Kolsats	Brush set	Kohlenbürst. satz	Jeu de balai charbon	1	108145
24	Hållare, sats	Fixing kit for steel tankSee	Halter, satz	Support, kit	1	109317
25	Rak koppling	Direct coupling	Verschraubung	Raccord droit	1	109936
1001	Hydraulaggregat	Hydraulic unit	See 1' Hydraulikaggregat	Aggrégat hydraulique	1	109323

Hydraulenhet PSH höjbara stödben (2008w38-) - Hydraulic unit PSH straddle lift (2008w38-)
Hydraulaggregat PSH verstellbare radarme (2008w38-) - Aggregat hydraulique PSH longerons ajustables (2008w38-)

Pos.	Beskrivning	Designation	Bezeichnung	Dénomination	Qty	Part No.
1	Proportionalventil	Proportional valve	Proportionalventil	Valve proportionnelle	1	117822
2	Backventil	Check valve	Rückschlagventil	Clapet de retenue	1	116983
3	Koppling	Drive coupling	Fahrkupplung	Accouplement	1	117802
4	Ventilhus	Valve housing	Ventilgehäuse	Boîtier de soupape	1	117816
5	Ventilhus	Valve block	Ventilgehäuse	Boîtier de soupape	1	117811
6	Kuggghjulsump	Gear pump	Zahnradpumpe	Pompe à engrenages	1	117804
7	Pumpmotor	Pumpmotor	Pumpenmotor	Moteur de pompe	1	117805
8	Sugsil	Suction tube w. strainer	Filter	Filtre	1	117806
9	O-ring	O-Ring	O-Ring	Joint torique	1	117807
10	Slangklämma	Hose clamp	Schlauchklammer	Collier de serrage	1	117808
11	Klämma	Clamp	Klammer	Bride	4	117809
12	Tryckbegr. ventil	Relief valve	Druckbegr. ventil	Soupape de refoulement	1	108148
13	Tank	Tank	Tank	Réservoir	1	116648
14	Påfyllningsplugg	Filler cap	Einfüllschraube	Bouchon de remplissage	1	116613
15	Riktningventil	Directional valve	Richtungsventil	Distributeur	1	116611
16	Magnet 24V	Solenoid 24V	Magnet 24V	Aimant 24V	1	117823
17	Riktningventil	Directional valve	Richtungsventil	Distributeur	1	117812
18	Magnetventil, 24V	Solenoid, 24V	Magnetventil, 24V	Valve électromagnétique	1	116994
19	Riktningventil	Directional valve	Richtungsventil	Distributeur	1	117813
20	Magnet, 24V	Solenoid, 24V	Magnet, 24V	Aimant, 24V	1	116993
21	Returrör	Return tube	Rücklaufrohr	Buse	1	117815
22	O-ring	O-ring	O-Ring	Joint torique	1	117817
23	Gummimatta	Rubber mat	Gummimatte	Tapis caoutchouc	1	116992
24	Konsol	Bracket	Konsole	Support	1	119069
25	Skruv M6S 10x25	Screw M6S 10x25	Schraube	Vis	2	010205
26	Fjäderbricka	Spring washer	Federring	Rondelle grower	2	012279
27	Skruv M6S M8x25	Screw M6S M8x25	Schraube	Vis	1	010145
28	Skruv M6S M8x35	Screw M6S M8x35	Schraube	Vis	1	010150
29	Mutter M6M Nyloc M8	Nut M6M Nyloc M8	Mutter M6M Nyloc M8	Ecrou M6M Nyloc M8	1	012163
30	Adaptor	Adaptor	Adapter 3/8"	Adaptateur 3/8"	1	117824
1001	Hydraulaggregat <i>Incl. pos 1-22</i>	Hyd. Unit See 150081	Hydraulikaggregat	Aggrégat hydraulique	1	117821

Hydraulsystem PS TFV (2008w14-) - Hydraulic system PS TFV (2008w14-)
Hydraulik system PS TFV (2008w14-) - Unité hydraulique PS TFV (2008w14-)

Pos.	Beskrivning	Designation	Bezeichnung	Dénomination	Qty	Part No.
1	<i>See section 9</i>				2	
2	<i>See section 9</i>				2	
4	Koppling	Coupling	Kupplung	Raccord	2	009048
5	T-koppling EVTO 12L	T-coupling	T-Verschraubung	Raccord T	2	115632
6	Hydraulrör	Hydraulic tube	Hydraulikrohr	Tube hydraulique	1	115619
7	Hydraulrör	Hydraulic pipe	Hydraulikrohr	Tube hydraulique	1	115621
8	Hydraulrör <i>H4=2690</i>	Hydraulic tube	Hydraulikrohr	Tube hydraulique	1	115620
	Hydraulrör <i>H4=2990</i>	Hydraulic tube	Hydraulikrohr	Tube hydraulique	1	115628
	Hydraulrör <i>H4=3290</i>	Hydraulic tube	Hydraulikrohr	Tube hydraulique	1	115629
	Hydraulrör <i>H4=3590</i>	Hydraulic tube	Hydraulikrohr	Tube hydraulique	1	115630
9	Hydraulrör	Hydraulic tube	Hydraulikrohr	Tube hydraulique	1	115532
10	Skarvkoppling	Pipe coupling	Rohrverschraub	Raccord de tubes	1	115633
11	<i>See section 9</i>				1	
12	<i>See section 9</i>				1	
13	Rak koppling WSV 12L	Direct coupling	Verschraubung	Raccord droit	1	115940
14	Koppling	Coupling	Kupplung	Raccord	1	009013
15	Koppling	Coupling	Kupplung	Raccord	1	009041
16	Hydraulslang <i>H4=2690</i>	Hydraulic hose	Hydraulikschlauch	Tuyau métall.flexib.	1	115603
	Hydraulslang <i>H4=2990</i>	Hydraulic hose	Hydraulikschlauch	Tuyau métall.flexib.	1	115604
	Hydraulslang <i>H4=3290</i>	Hydraulic hose	Hydraulikschlauch	Tuyau métall.flexib.	1	115605
	Hydraulslang <i>H4=3590</i>	Hydraulic hose	Hydraulikschlauch	Tuyau métall.flexib.	1	115606
17	Koppling	Coupling	Kupplung	Raccord	1	009066

Hydraulsystem, mast PSH 200 TFV - Hydraulic system, mast PSH 200 TFV
Hydraulanlage, mast PSH 200 TFV - Unité hydraulique, mât PSH 200 TFV

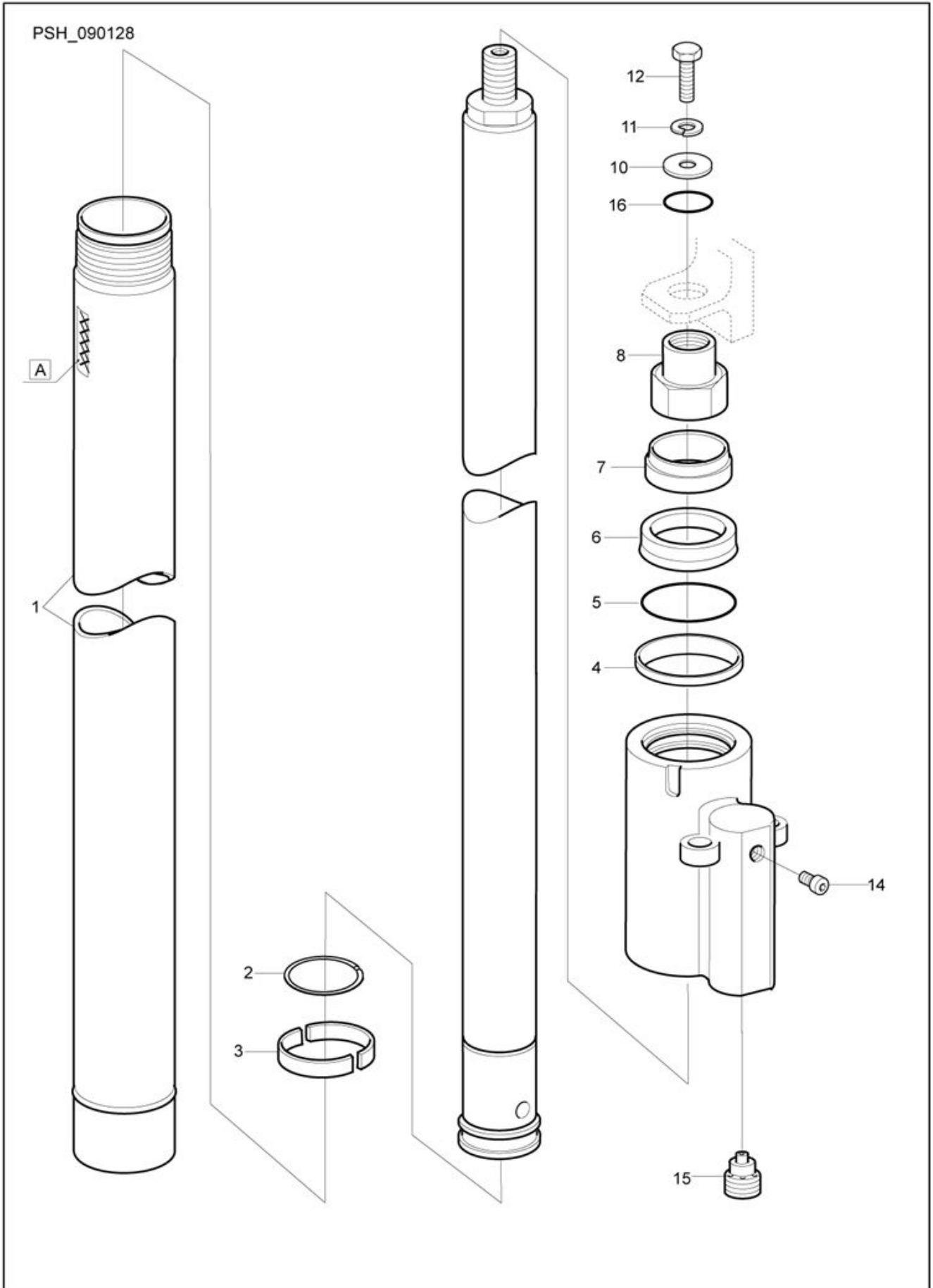
Pos.	Beskrivning	Designation	Bezeichnung	Dénomination	Qty	Part No.	
1	Koppling, 1/2"	Coupling, 1/2"	Kupplung, 1/2"	Raccord, 1/2"	4	009000	
2	Plugg	Plug	Propfen	Bouchon	2	013962	
3	Gummistålbricka	Washer	Scheibe	Rondelle	2	002413	
4	Fördelningsblock	Flowdivider	Mengenteiler	Bloc de connection	1	059846	
5	Hydraulslang, v	Hydraulic hose	Hydraulikschlauch	Tuyau métall.flexib.	1	106179	
6	Koppling EVWO 15L	Coupling	Kupplung	Raccord	1	001756	
7	Hydraulrör	Hydraulic pipe	Hydraulikrohr	Tube hydraulique	1	106046	
8	Hydraulrör, h	Hydraulic pipe	Hydraulikrohr	Tube hydraulique	1	106047	
9	<i>See section 9</i>					1	
10	Hydraulslang	Hydraulic hose	Hydraulikschlauch	Tuyau métall.flexib.	1	059329	
11	Slangskena	Hose rail	Schlauchschiene	Guide de flexible	1	106050	
12	Koppling	Coupling	Kupplung	Raccord	3	009012	
13	T-koppling	T-coupling	T-verschraubung	Raccord T	1	009018	
15	Sänkbromsventilhus	Valve housing	Ventilgehäuse	Boîtier de soupape	1	003347	
16	Sänkbromsventil <i>Q=45 l/min</i>	Low.speed regulat	Senkautomatik	Limiteur réglable	1	003345	
	Ventil sänkbroms <i>Q=30 l/min</i>	Lowering brake valve	Senkautomatik	Limiteur réglable	1	150481	
18	Plastklamma	Clamp	Klammer	Bride	13	003465	
19	Gummiklamma	Rubber clamp	Gummiklammer	Bride	1	014063	
20	Skruv MC6S M8x55	Screw MC6S M8x55	Schraube, MC6S M8x55	Vis, MC6S M8x55	1	010649	
21	Fjäderbricka	Spring washer	Federring	Rondelle grower	1	012275	
22	Skruv MC6S M6x12	Screw MC6S M6x12	Schraube, MC6S M6x12	Vis, MC6S M6x12	2	010570	
23	Fjäderbricka	Spring washer	Federring	Rondelle grower	2	012271	
24	Koppling EVWO 15L	Coupling	Kupplung	Raccord	1	001756	

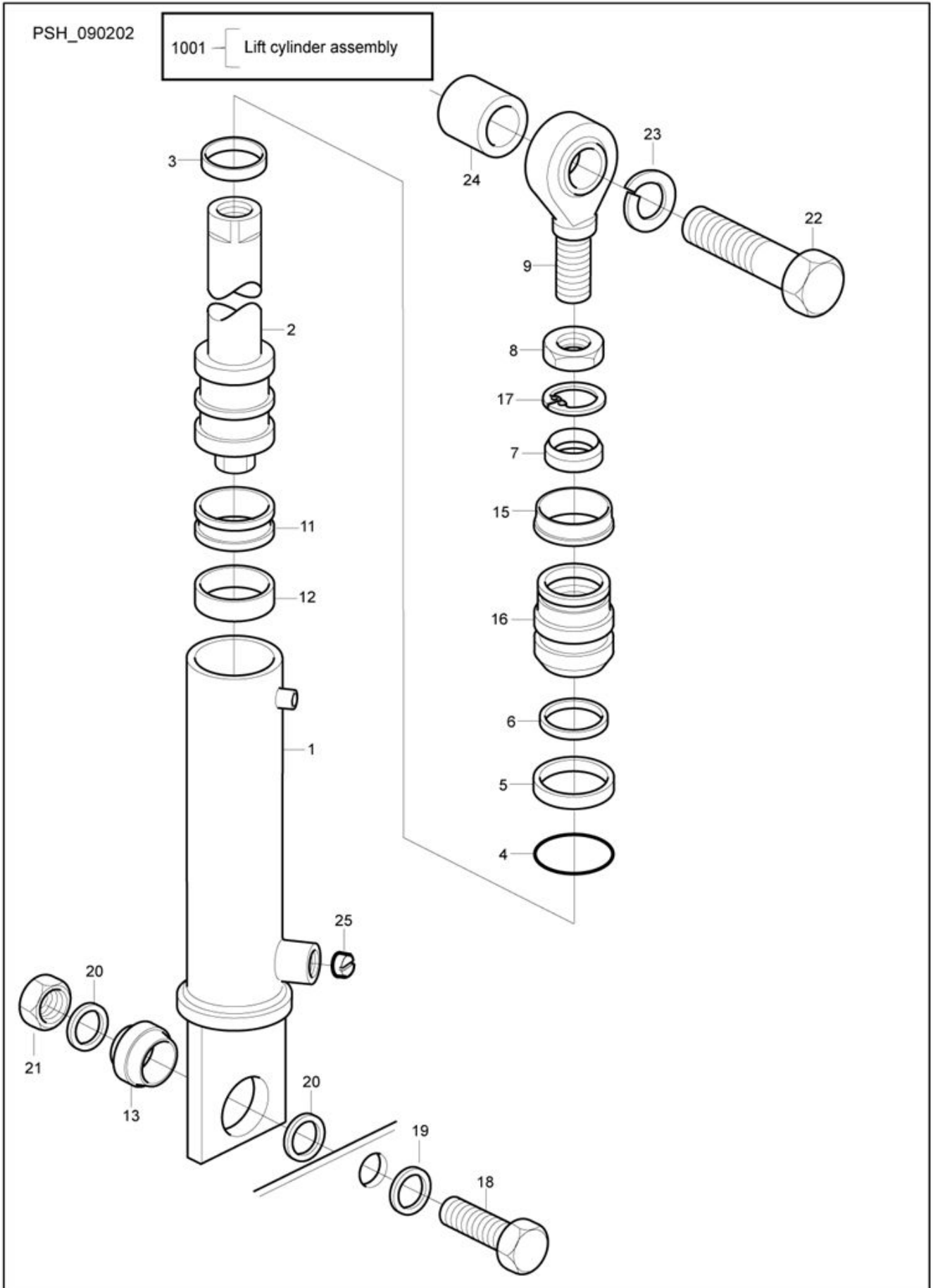
Edition: 2013A

Frilyftcylinder PSH 200 DTFV	9.7
Free lift cylinder PSH 200 DTFV	
Freihubzylinder PSH 200 DTFV	
Cyl. d'élévation libre PSH 200 DTFV	

Edition: 2006B

Lyftcylinder höjbara stödben PSH 160	9.8
Lift cylinder adjust. strad. legs PSH 160	
Hubzylinder verstellb. radarmes PSH 160	
Vérin de levage longerons adjustable PSH 160	





Manöverkablage PSH (-2006w21) - Control cables PSH (-2006w21)
Steuerkabel PSH (-2006w21) - Câble multiple de commande PSH (-2006w21)

Pos.	Beskrivning	Designation	Bezeichnung	Dénomination	Qty	Part No.
1	Huvudkablage	Master cable	Hauptkabel	Câble principal	1	118209
2	Kablage, ventil	Cable, valve	Kabel, Ventil	Câble, valve	1	104118
3	Kablage, enkoder	Cable harn., encoder	Hauptkabel, codiergerät	Câble multiple, encodeur	1	118206
4	Kablage, broms	Cable harness, brake	Hauptkabel, bremsse	Câble multiple, frein	1	118207
5	Kablage manöverarm	Cable harn., tiller arm	Hauptkabel, lenkarm	Câble multiple, timon	1	108068
6	Ferrit ring	Ferrite circle	Ferritring	Cercle de ferrite	1	118212
7	Ferrit ring	Ferrite circle	Ferritring	Cercle de ferrite	1	118213

Kraftkablage PSH (-2006w21) - Power cables PSH (-2006w21)

Stromhauptkabeln PSH (-2006w21) - Câble multiple d'alimentation PSH (-2006w21)

Pos.	Beskrivning	Designation	Bezeichnung	Dénomination	Qty	Part No.
1	Kablage, batterihandske	Cable h., battery plug	Hauptk., batteriestecker	Câble m., cable batterie	1	108602
2	Kablage, batterihandske	Cable h., battery plug	Hauptk., batteriestecker	Câble m., cable batterie	1	108605
3	Skruv	Screw	Schraube	Vis	2	109873
4	Fjäderbricka	Spring washer	Federring	Rondelle grower	2	109844
5	Kabel B+	Cable B+	Kabel B+	Câble B+	1	118260
6	Kabel B-	Cable B-	Kabel B-	Câble B-	1	118259
7					1	118358
8					1	118356
9					1	118357
10	Kabel, säkring - kont.	Cable, fuse - contactor	Kabel, sich. - schütz	Câble, fusible - cont.	1	118258
11	Kabel, pumpmotor+	Cable, pumpmotor+	Kabel	Câble	1	118422
12	Kabel, pumpmotor-	Cable, pumpm- See 11842	Kabel	Câble	1	118421

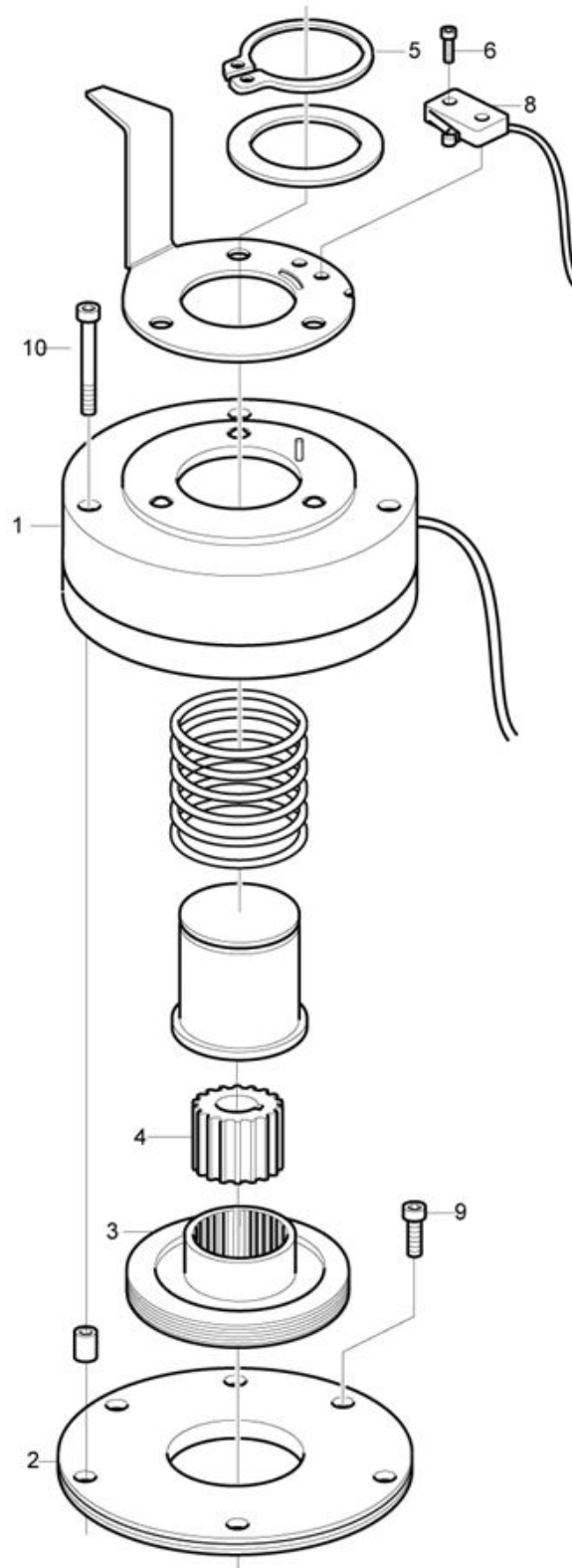
Elpanel PS PSH (2008w42-) - Electrical board PS PSH (2008w42-)
Schalttafel PS PSH (2008w42-) - Panneau électriques PS PSH (2008w42-)

Pos.	Beskrivning	Designation	Bezeichnung	Dénomination	Qty	Part No.	
1	Elpanelplåt	Elec. panel plate	Montageplatte Verkl.	Panneau électrique	1	116929	
2	Drivregulator	Traction cont. See 150010	Fahrsteuerung	Variateur de traction	1	150010	
3	Skruv MC6S M4x12	Screw MC6S M4x12	Schraube, MC6S M4x12	Vis, MC6S M4x12	4	010505	
4	Platt bricka	Flat washer	Planscheibe	Rondelle plate	4	012401	
5	Skruv MC6S M4x20	Screw, MC6S M4x20	Schraube, MC6S M4x20	Vis, MC6S M4x20	4	010513	
6	Platt bricka	Flat washer	Planscheibe	Rondelle plate	4	012401	
7	Skruv MC6S M4x12	Screw MC6S M4x12	Schraube, MC6S M4x12	Vis, MC6S M4x12	4	010505	
8	Kontaktor	Contacteur K1	Schütz	Contacteur	1	108619	
9	Kontaktor	Contacteur	Schütz	Contacteur	1	118268	
10	Skruv MC6S M4x20	Screw, MC6S M4x20	Schraube, MC6S M4x20	Vis, MC6S M4x20	2	010513	
11	Platt bricka	Flat washer	Planscheibe	Rondelle plate	2	012401	
12	Skruv, MC6S M6x16	Screw, MC6S M6x16	Schraube, MC6S M6x16	Vis, MC6S M6x16	4	010579	
13	Fjäderbricka	Spring washer	Federring	Rondelle grower	4	012271	
14	HVC	HVC	HVC	HVC	1	118365	
15	Sexkantsmutter	Hexagon nut	Sechskantmutter	Ecrou hexagonale	6	012120	
16	Fjäderbricka	Spring washer	Federring	Rondelle grower	4	012275	
17	Säkringshållare	Fuse holder	Repla Sicherungshalter	Support de fusible	1	115801	
18	Bricka	Washer	Scheibe	Rondelle	6	014777	
20	Säkring PSH	Fuse	Sicherung	Fusible	1	009972	
	Säkring, 125A PS	Fuse, 125 A	Sicherung	Fusible	1	109183	
21	Säkring	Fuse	Sicherung	Fusible	1	009971	
22	Bricka BRB	Washer	Scheibe	Rondelle	4	012367	
23	<i>See section 10 "Control cables"</i>					1	
24	Skruv MC6S M4x12 Tiller up drive	Screw MC6S M4x12	Schraube, MC6S M4x12	Vis, MC6S M4x12	1	010505	
25	Bricka BRB Tiller up drive	Washer	Scheibe	Rondelle	1	012367	
26	Värmeisolering	Thermal insulation	Wärmedämmung	Isolation thermique	1	014517	
31	Signalhorn, 24V	Horn, 24V	Hupe, 24V	Avertisseur, 24V	1	108165	
32	Skruv, MC6S M6x20	Screw, MC6S M6x20	Schraube, MC6S M6x20	Vis, MC6S M6x20	1	010583	
33	Buzzer, service kit Option	Buzzer, service kit	Summer, Service Kit	Vibreur, kit	1	119869	
34	Bricka BRB	Flat washer	Scheibe	Rondelle	1	012373	
35	Distans	Distance bushing	Abstandshalter	Entretoise	1	109067	

Manöverkablage PS (2011w16-) - Control cables PS (2011w16-)
Steuerkabel PS (2011w16-) - Câble multiple de commande PS (2011w16-)

Pos.	Beskrivning	Designation	Bezeichnung	Dénomination	Qty	Part No.
1	Manöverkablage	Control cable	Steuerkabel	Câble de commande	1	118953
2	Kablage, ventiler <i>HVC-Valve. PS</i>	Wiring harness, valves	Kabel, Ventil	Câble multiple, Valve	1	116950
	Kablage, ventiler <i>HVC-Valve. PSH</i>	Wiring harness, valves	Kabel, Ventil	Câble multiple, Valve	1	116951
3	Ferrit	Ferrite	Ferrit	Ferrite	1	014516
4	Kablage, broms	W Harness, Brake	Kabel, Bremse	Câble multiple, Frein	1	116943
5	Kablage, enkoder	W Harness, Encoder	Kabel, Kodierer	Câble multiple, Encodeur	1	116944
6	Kablage, Tiller <i>Incl pos 3</i>	W Harness, Tiller	Kabel, Tiller	Câble multiple, Tiller	1	116942
7	Kablage, tiller up drive	W Harness, Tiller up drive	Kabel, Tiller up drive	Câble, Tiller up drive	1	116945
8	Kablage, nyckelbrytare <i>PS. Option Keyswitch</i>	W Harness, Keyswitch	Kabel	Câble multiple	1	109425

PS_110100



CLICK HERE TO **DOWNLOAD** THE COMPLETE MANUAL

- Thank you very much for reading the preview of the manual.
- You can download the complete manual from: www.heydownloads.com by clicking the link below



- Please note: If there is no response to CLICKING the link, please download this PDF first and then click on it.

CLICK HERE TO **DOWNLOAD** THE COMPLETE MANUAL