

Parts Manual

Machine: PLL, PSD, PSL, PLE
Manual No: 159249
Edition: 2013B

Arbetsledarinstruktion
Works Manager Instructions
Betriebsleiterinstruktion
Instruction de chef d'atelier

Serviceföreskrifter
Service Instructions
Wartungsanweisung
Instructions d'entretien

Förarinstruktion
Driver Instruction
Fahrerinstruktion
Instruction de conducteur

Edition: 2013B Chassi
Chassis
Rahmenteile
Châssis

Edition: 2010A Drivenhet
Drive Unit
Antrieb
Unité de traction

Edition: 2012A Mast
Mast
Mast
Mât

Edition: 2012A Styrning
Steering
Lenkung
Commande et direction

Edition: 2013B Hydraulsystem
Hydraulic System
Hydraulikanlage
Unité Hydraulique

Edition: 2010A Lyftcylinder
Lift Cylinder
Hubzylinder
Vérin de levage

Edition: 2012A Elsystem
Electrical System
Elektrische Anlage
Système Électrique

Edition: 2006B Fart- och bromssystem
Drive and Brake system
Fahr- und Bremsesystem
Système Vitesse Et Freinage

Edition: 2010B Övrigt
Miscellaneous
Sonstiges
Divers

CLICK HERE TO **DOWNLOAD** THE COMPLETE MANUAL

- Thank you very much for reading the preview of the manual.
- You can download the complete manual from: www.heydownloads.com by clicking the link below



- Please note: If there is no response to CLICKING the link, please download this PDF first and then click on it.

CLICK HERE TO **DOWNLOAD** THE COMPLETE MANUAL

Paneler PLL/PSD/PSL/PLE (-2008w07) - Panels PLL/PSD/PSL/PLE (-2008w07)
Abdeckung PLL/PSD/PSL/PLE (-2008w07) - Panneau PLL/PSD/PSL/PLE (-2008w07)

Pos.	Beskrivning	Designation	Bezeichnung	Dénomination	Qty	Part No.
1	Batterikåpa	Battery cover	Deckel	Carter	1	108966
2	Kåpa 160Ah	Cover	Deckel	Carter	1	108888
	Kåpa 200 Ah	Cover	Deckel	Carter	1	108960
	Kåpa 160 Ah "Original" tiller head system.	Cover	Deckel	Carter	1	109441
	Kåpa 200 Ah "Original" tiller head system.	Cover	Deckel	Carter	1	109442
	Kåpa 06w01- 200Ah. 2006w01 the Fork carriage was modified (same P/N as before). The new cover (2006w01-) only fits the new Fork carriage.	Cover	Deckel	Carter	1	140120
	Kåpa 06w01- 200Ah. "Original" tiller head system. 2006w01 the Fork carriage was modified (same P/N as before). The new cover (2006w01-) only fits the r	Cover	Deckel	Carter	1	140121
	Kåpa 06w01- 160Ah. 2006w01 the Fork carriage was modified (same P/N as before). The new cover (06w01-) only fits the new Fork carriage.	Cover	Deckel	Carter	1	140122
	Kåpa 06w01- 160Ah. "Original" tiller head system. 2006w01 the Fork carriage was modified (same P/N as before). The new cover (2006w01-) only fits the r	Cover	Deckel	Carter	1	140123
3	Kåpa	Cover See 116922	Deckel	Carter	1	108724
4					1	109065
5	Mutter	Nut	Mutter	Ecrou	5	109863
6	Bricka	Washer	Scheibe	Rondelle	5	109835
7	Skruv	Screw	Schraube	Vis	3	014748
8	Skruv, K6S M5x12	Screw	Schraube	Vis	4	014992
10	Låsanordning	Locking device	Verschluss	Verrouillage	1	109968
11	Bricka	Washer	Scheibe	Rondelle	1	109818
12	Kabelskena	Cable guide	Kabelkanal	Tube gaine pour câbles	1	116428
13	Skruv K6S M6x16	Screw K6S M6x16	Schraube K6S M6x16 -10.9	Vis K6S M6x16 -10.9	2	014732
14	Fjäderbricka	Spring washer	Federring	Rondelle grower	2	012271
15	Nyckel Battery tray, battery on rollers.	Key	Schüssel	Clef	1	109801
16	Batterirumslucka Battery tray, battery on rollers.	Battery room flap	Deckel	Porte	1	109343
18	Bricka	Washer	Scheibe	Rondelle	4	014995
19	Bricka	Washer	Scheibe	Rondelle	2	109851
20	Cover "Original" tiller head system	Cover			1	109239
21	Skruv "Original" tiller head system	Screw	Schraube	Vis	2	109872
22	Fjäderbricka "Original" tiller head system	Spring washer	Federring	Rondelle grower	2	109844
23	Signalhorn, 24V PLL	Horn, 24V	Hupe, 24V	Avertisseur, 24V	1	108165
	Signalhorn PSD	Horn, 24V	Hupe	Avertisseur	1	108375

Maskinskylt PLL/PSD/PSL/PLE - Machine plate PLL/PSD/PSL/PLE
Maschinenschild PLL/PSD/PSL/PLE - Identificat. de mach. PLL/PSD/PSL/PLE

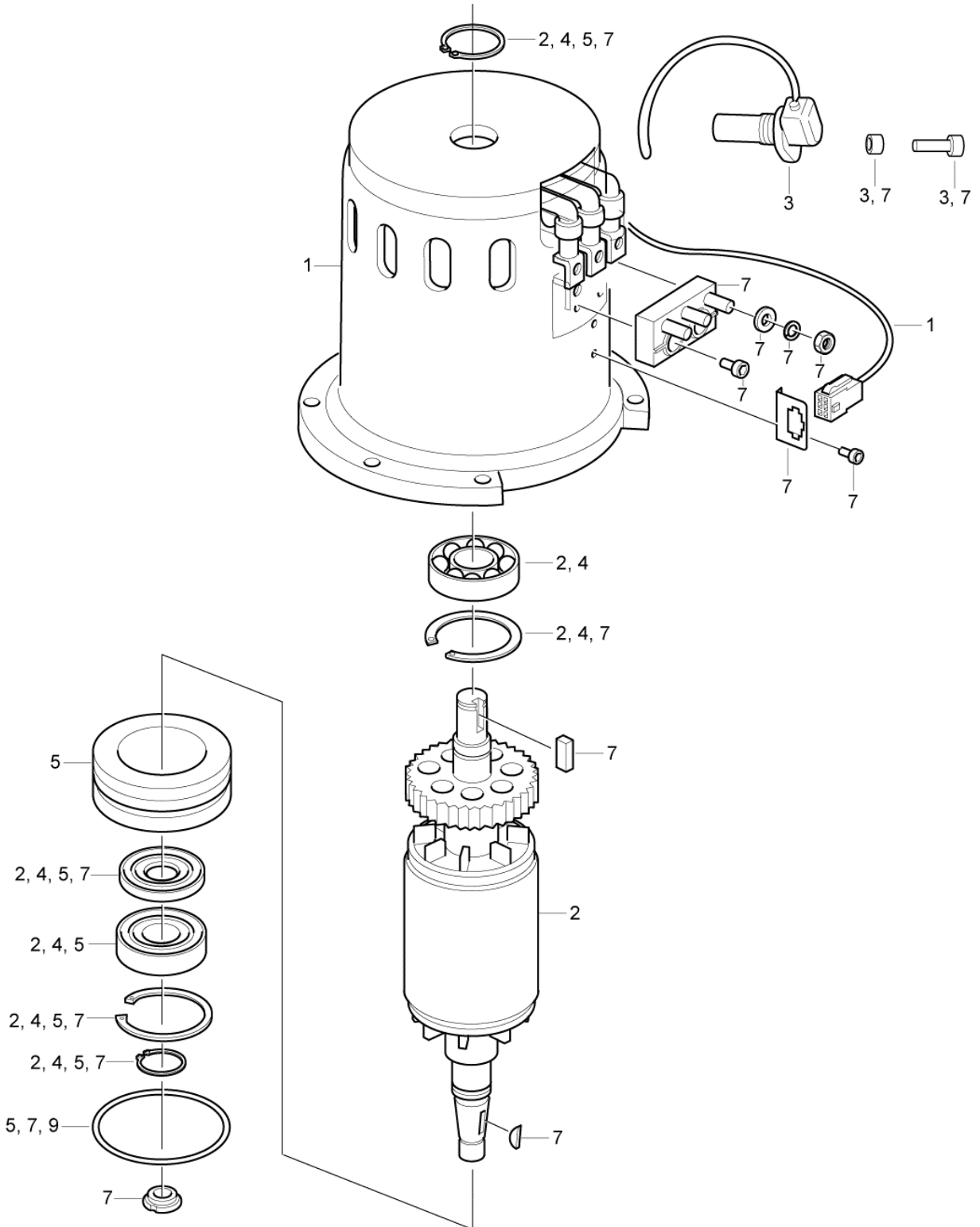
Pos.	Beskrivning	Designation	Bezeichnung	Dénomination	Qty	Part No.
1	Maskinskylt <i>-06w36 PSD Straddle lift</i>	Machine plate	Typenschild	Identificat. de mach.	1	039900
	Maskinskylt <i>-06w36 USA</i>	Machine Plate	Typenschild	Identificat. de mach.	1	059030
	Maskinskylt, CE <i>-06w36 CE</i>	Machine Plate, CE,Steel	Typenschild, CE, Blech	Identificat. de mach., CETôle	1	060203
	Maskinskylt <i>-06w36 Rus</i>	Machine Plate	Typenschild	Identificat. de mach.	1	060214
	Maskinskylt <i>-06w36 Esp, Por, Ita</i>	Machine Plate	Typenschild	Identificat. de mach.	1	122155
2	Maskinskylt, mast <i>06w37- Eng</i>	Machine plate, mast	Typenschild, mast	Ident. de mach., mât	1	104882
	Maskinskylt, mast <i>06w37- Ger/Eng</i>	Machine plate, mast	Typenschild, mast	Ident. de mach., mât	1	104883
	Maskinskylt, mast <i>06w37- Spa/Eng</i>	Machine plate, mast	Typenschild, mast	Ident. de mach., mât	1	104884
	Maskinskylt, mast <i>06w37- Rus/Eng</i>	Machine plate, mast	Typenschild, mast	Ident. de mach., mât	1	104885
	Maskinskylt, mast <i>06w37- Por/Eng</i>	Machine plate, mast	Typenschild, mast	Ident. de mach., mât	1	104886
	Maskinskylt, mast <i>06w37- Ita/Eng</i>	Machine plate, mast	Typenschild, mast	Ident. de mach., mât	1	104887
	Maskinskylt, mast <i>06w37- USA</i>	Machine plate, mast	Typenschild, mast	Ident. de mach., mât	1	104888
	Maskinskylt, mast <i>06w37- Fra/Eng</i>	Machine plate, mast	Typenschild, mast	Ident. de mach., mât	1	104889
	Maskinskylt, mast <i>09w36- Swe/Eng</i>	Machine plate, mast	Maschinenschild, mast	Identificat.de mach, mât	1	114475
	Maskinskylt, mast <i>09w36- Pol/Eng</i>	Machine plate, mast	Maschinenschild, mast	Identificat.de mach, mât	1	114498
3	Maskinskylt, mast <i>09w36- Grc/Eng</i>	Machine plate, mast	Maschinenschild, mast	Identificat.de mach, mât	1	114499
	Maskinskylt, mast <i>09w36- Est/Eng</i>	Machine plate, mast	Maschinenschild, mast	Identificat.de mach, mât	1	114500
	Maskinskylt, mast <i>09w36- Nor/Eng</i>	Machine plate, mast	Maschinenschild, mast	Identificat.de mach, mât	1	114501
	Maskinskylt, mast <i>09w36- Tur/Eng</i>	Machine plate, mast	Maschinenschild, mast	Identificat.de mach, mât	1	114502
	Maskinskylt, mast <i>09w36- Fin/Eng</i>	Machine plate, mast	Maschinenschild, mast	Identificat.de mach, mât	1	114503
	Maskinskylt, mast <i>09w36- Lva/Eng</i>	Machine plate, mast	Maschinenschild, mast	Identificat.de mach, mât	1	114504
	Maskinskylt, mast <i>09w36- Ltu/Eng</i>	Machine plate, mast	Maschinenschild, mast	Identificat.de mach, mât	1	114505
	Maskinskylt, mast <i>09w36- Den/Eng</i>	Machine plate, mast	Maschinenschild, mast	Identificat.de mach, mât	1	114506
	Maskinskylt, mast <i>09w36- Nld/Eng</i>	Machine plate, mast	Maschinenschild, mast	Identificat.de mach, mât	1	114507

DECALS

Pos.	Beskrivning	Designation	Bezeichnung	Dénomination	Qty	Part No.
1	Dekal <i>Decal</i>	Decal, UC blue white str.	Aufkleber	Autocollants	1	150767
2	Dekal <i>Decal</i>	Decal, UC blue white str.	Aufkleber	Autocollants	1	150768
3	Dekal, blå vit rand <i>Decal</i>	Decal, UC blue white str.	Aufklebe,blau weiß Streif	Autocollants	1	150763
	Dekal, UC mast <i>Decal</i>	Decal, UC mast	Aufkleber, UC mast	Autocollants, UC mât	1	150770
4	Dekal <i>Decal</i>	Decal, UC 3 color	Aufkleber	Autocollants	1	150771
	Dekal <i>Decal</i>	Decal, lid	Aufkleber	Autocollants	1	150778
	Dekal <i>Decal</i>	Decal, UC stripe 4 color	Aufkleber	Autocollants	1	150779
5	Dekal <i>Decal</i>	Decal, UC blue white str.	Aufkleber	Autocollants	1	150769
6	Dekal <i>Decal</i>	Decal,UC blue white,left	Aufkleber	Autocollants	1	150764
	Dekal <i>Decal</i>	Decal, UC blue white str.	Aufkleber	Autocollants	1	150766
7	Dekal <i>Decal</i>	Decal,UC blue white,right	Aufkleber	Autocollants	1	150765
8	Dekal	Decal,UC 3 col. ext short	Aufkleber	Autocollants	1	150783
9	Dekal	Decal,UC 3 col. ext long	Aufkleber	Autocollants	1	150784

PLL PSD PSL_050300_2007w48-

1001 — Drive motor



Lyftanordning PLL/PLE - Lift system PLL/PLE
Hubvorrättning PLL/PLE - Système de levage PLL/PLE

Pos.	Beskrivning	Designation	Bezeichnung	Dénomination	Qty	Part No.
1	Tryckstång <i>PLL, L1=1190, L2=975, Low h.75mm, Including pos 1-3</i>	Pressure bar	Druckstange	Tige-poussoir	2	108815
	Tryckstång <i>PLL, L1=1190, L2= 975, Including pos 1-3</i>	Pressure bar	Druckstange	Tige-poussoir	2	108820
	Tryckstång <i>PLL, L1=1000, L2=785, Including pos 1-3</i>	Pressure bar	Druckstange	Tige-poussoir	2	108821
	Tryckstång <i>PLE, L1=1200, L2=990, Including pos 1-3, 21</i>	Pressure bar	Druckstange	Tige-poussoir	2	109559
2	Glidlager	Sliding bearing	Gleitlager	Coussinet lisse	4	109984
3	Glidlager	Sliding bearing	Gleitlager	Coussinet lisse	4	109983
4	Länkkarm <i>V=520, Forkwidth 160. Including pos. 4-5, 12-13.</i>	Link arm	Gelenkarm	Bras d'articulation	1	108816
	Länkkarm <i>V=680, Forkwidth 160. Including pos. 4-5, 12-13.</i>	Link arm	Gelenkarm	Bras d'articulation	1	108817
	Länkkarm <i>PLL 145 V=680, Forkwidth 160. Including pos. 4-5, 12-13.</i>	Link arm	Gelenkarm	Bras d'articulation	1	108962
	Länkkarm <i>V=570, Forkwidth 180. Including pos. 4-5, 12-13.</i>	Link arm	Gelenkarm	Bras d'articulation	1	109221
	Länkkarm <i>PLE. Including pos. 4-5, 12-13.</i>	Linkarm	Gelenkarm	Bras d'articualtion	1	109557
5	Glidlager	Sliding bearing	Gleitlager	Coussinet lisse	2	109980
6	Bricka SRB	Washer SRB	Scheibe SRB 21x36x3	Rondelle SRB 21x36x3	2	012416
8	Skruv MF6S M8x16	Screw MF6S M8x16	Schraube MF6S M8x16 -10.!	Vis	1	011023
9	Bult <i>V=520, PLE</i>	Bolt	Bolzen	Boulon	1	108714
	Bult <i>V=680</i>	Bolt	Bolzen	Boulon	1	108716
	Bult <i>Cold store design</i>	Bolt	Bolzen	Boulon	1	109135
	Bult <i>V=570, Forkwidth 180</i>	Bolt	Bolzen	Boulon	1	109224
10	Bult	Bolt	Bolzen	Boulon	2	108717
	Bult <i>Cold store design</i>	Bolt	Bolzen	Boulon	2	109139
11	Spännstift FRP	Roll pin FRP	Spannstift FRP	Goupille FRP	2	012923
12	Glidlager	Sliding bearing	Gleitlager	Coussinet lisse	2	109980
13	Glidlager	Sliding bearing	Gleitlager	Coussinet lisse	1	109983
14	Axel	Axle	Achse	Axe	1	108723
	Axel <i>Cold store design</i>	Axle	Achse	Axe	1	109138
15	Bricka	Washer	Scheibe	Rondelle	1	109851
16	Fjäderbricka	Spring washer	Federring	Rondelle grower	1	109844
17	Skruv	Screw			1	109888
18	Skruv	Screw	Schraube	Vis	1	109887
19	Bricka	Washer	Scheibe	Rondelle	1	109810
20	Lasthjul <i>85 mm</i>	Rail wheel	Lastrad	Roue portante	1	109976

CLICK HERE TO **DOWNLOAD** THE COMPLETE MANUAL

- Thank you very much for reading the preview of the manual.
- You can download the complete manual from: www.heydownloads.com by clicking the link below



- Please note: If there is no response to CLICKING the link, please download this PDF first and then click on it.

CLICK HERE TO **DOWNLOAD** THE COMPLETE MANUAL

Gaffelvagn PLL/PLE (2009w25-) - Fork carriage PLL/PLE (2009w25-)
Gabelschlitten PLL/PLE (2009w25-) - Tablier de Fourches PLL/PLE (2009w25-)

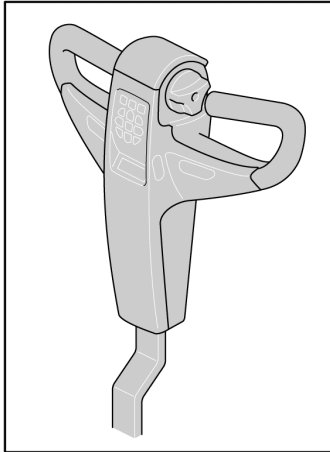
Pos.	Beskrivning	Designation	Bezeichnung	Dénomination	Qty	Part No.	
1					1	117930	
	<i>PLE; Red:117931, Silver:117932, Other:117933</i>						
	<i>PLL 160, V=520, L1=1190, L2=975; Red:119630, Silver:119632, Other:119631</i>					1	119576
	<i>PLL 200, V=520, L1=1190, L2=975; Battery on rollers. Red:119634, Silver:119636, Other:119635</i>					1	119577
	<i>PLL 200, V=520, L1=1190, L2=975; Red:119638, Silver:119640, Other:119639</i>					1	119578
	<i>PLL 160, V=680, L1=1190, L2=975; Red:119642, Silver:119644, Other:119643</i>					1	119579
	<i>PLL 200, V=680, L1=1190, L2=975. Battery on rollers. Red:119646, Silver:119648, Other:119647</i>					1	119580
	<i>PLL 200, V=680, L1=1190, L2=975; Red:119650, Silver:119652, Other:119651</i>					1	119581
	<i>PLL 160, V=520, L1=1000, L2=785; Red:119654, Silver:119656, Other:119655</i>					1	119582
	<i>PLL 200, V=520, L1=1000, L2=785; Battery on rollers. Red:119658, Silver:119660, Other:119659</i>					1	119583
	<i>PLL 200, V=520, L1=1000, L2=785; Red:119662, Silver:119664, Other:119663</i>					1	119584
	<i>PLL 160, V=680, L1=1000, L2=785; Red:119666, Silver:119668, Other:119667</i>					1	119585
	<i>PLL 200, V=680, L1=1000, L2=785. Battery on rollers. Red:119670, Silver:119672, Other:119671</i>					1	119586
	<i>PLL 200, V=680, L1=1000, L2=785; Red:119674, Silver:119676, Other:119675</i>					1	119587
	<i>PLL 160, V=520, L1=1150, L2=975; Red:119690, Silver:119692, Other:119691</i>					1	119591
	<i>PLL 200, V=520, L1=1150, L2=975; Battery on rollers. Red:119694, Silver:119696, Other:119695</i>					1	119592
	<i>PLL 200, V=520, L1=1150, L2=975; Red:119698, Silver:119700, Other:119699</i>					1	119593
	<i>PLL 160, V=680, L1=1150, L2=975; Red:119702, Silver:119704, Other:119703</i>					1	119594
	<i>PLL 200, V=680, L1=1150, L2=975; Battery on rollers. Red:119706, Silver:119708, Other:119707</i>					1	119595
	<i>PLL 200, V=680, L1=1150, L2=975; Red:119710, Silver:119712, Other:119711</i>					1	119596
2	Rulle <i>Not for lowered height 75mm (USA)</i>	Roller	Rolle	Poulie	2	109960	
3	Axel <i>Cold store design</i>	Axle	Achse	Axe	2	108704	
		Axle	Achse	Axe	2	109148	
4	Stift <i>Not for lowered height 75mm (USA)</i>	Pin	Stift	Goupille	2	109908	
5	Rulle <i>Not for lowered height 75mm (USA)</i>	Roller	Rolle	Poulie	2	109961	

Mast PLE - Mast PLE

Mast PLE - Mât PLE

Pos.	Beskrivning	Designation	Bezeichnung	Dénomination	Qty	Part No.	
3	See section 9, "Lift Cylinder"					1	
5	Styrfäste	Chain holder	,M08€ Kettenhalter	Fixation de chaîne	2	108999	
6	Styrfäste	Chain Holder	Kettenhalter	Fixation de chaîne	2	109788	
7	Lyftkedja H4=720	Lift chain	Hubkette	Chaîne de levage	2	115565	
8	Saxpinne	Split pin	Splint	Goupille fendue	8	013104	
9	Saxpinnebult	Split pin bolt	Splintbolzen	Axe à tête	4	105213	
11	Brytrulle (2007w03-), Kpl. with bearing	Chain pulley	Umlenkrolle	Poulie de renvoi	2	116173	
	Brytrulle (-2007w02)	Chain pulley	Umlenkrolle	Poulie de renvoi	2	142978	
12	Kullager	Roller bearing	Kugellager	Roulement à billes	4	008044	
14	Axel Ø 20 (-2007w02)	Axle	Achse	Axe	2	115000	
	Axel Ø 25 (2007w03-)	Axle	Achse	Axe	2	116174	
15	Fjäderbricka	Spring washer	Federring	Rondelle grower	2	012271	
16	Skruv M6x12	Hexagon screw M6x12	Sechsk. Schraube M6x12	Vis hexagonal M6x12	2	010089	
18	Spårring SGA 20	Circlip	Nutring	Circlip	1	012642	
19	Skruv M6x12	Hexagon screw M6x12	Sechsk. Schraube M6x12	Vis hexagonal M6x12	2	010089	
23	Fjäderbricka	Spring washer	Federring	Rondelle grower	2	012271	
26	Gaffelvagn	Fork carriage	Schlitten	Tablier de fourches	1	109562	
27	Stödrulle	Cross bearing	Stützrolle	Galet	4	109790	
28	Spårring SGA 30	Circlip SGA 30	Nutring	Circlip	1	012652	
29	Täckplatta -09w22	Cover plate	Abdeckscheibe	Plaque de recouvrement	1	109573	
30	Lyftok (-2007w02)	Lifting yoke	Joch	Joug	1	109568	
	Lyftok (2007w03-)	Lifting yoke	Joch	Joug	1	141997	
31	Skruv MF6S M6x16	Screw MF6S M6x16	Schraube MF6S M6x16 -10.!	Vis MF6S M6x16 -10.9	2	010988	
32	Mutter M6M Nyloc M16	Nut	Mutter	Ecrou	2	012171	
33	Tättningslist, självh. 250mm	Sealing strip, self ad.	Dichtungsleiste	Joint d'étanchéité	2	016491	
34	Täckplatta 09w23-	Cover plate	Abdeckscheibe	Plaque de recouvrement	1	117914	
35	Fjäderbricka	Spring washer	Federring	Rondelle grower	2	012271	
36	Skruv M6x12	Hexagon screw M6x12	Sechsk. Schraube M6x12	Vis hexagonal M6x12	2	010089	
37	Planbricka	Plain washer	Planscheibe	Rondelle plate	8	012371	

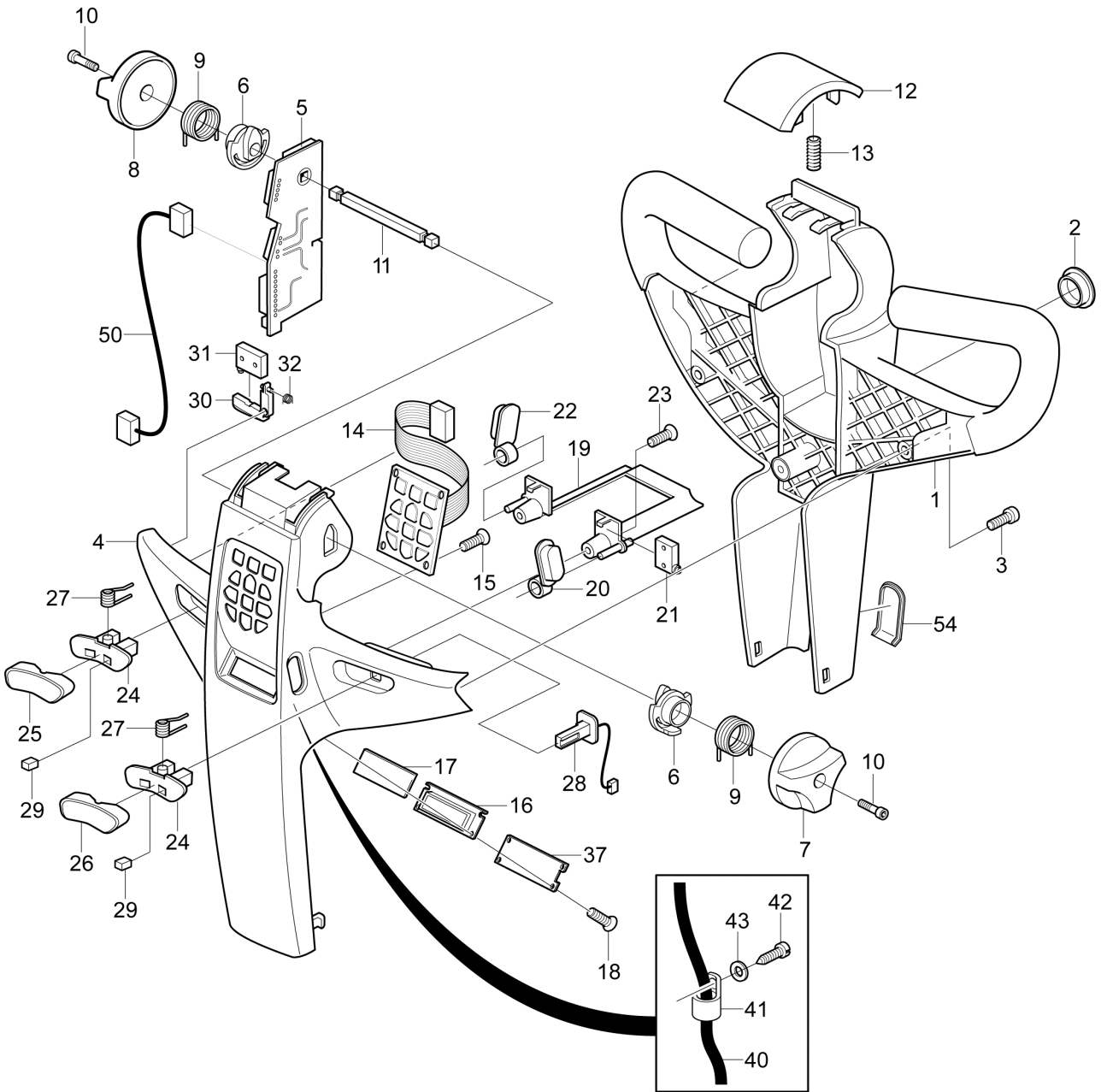
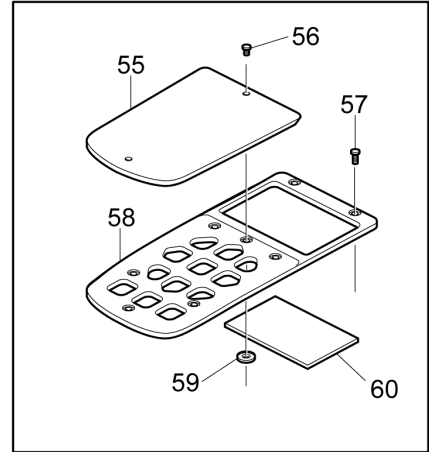
PLL PSD PSL PLE_070205_PLL PSD PSL PLE_2011A



1001 — Tiller arm head

1002 — Lift-Lowering Lever right kit

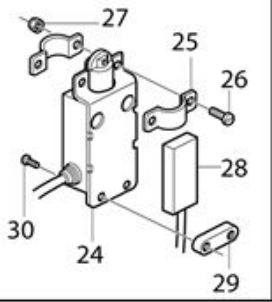
1003 — Lift-Lowering Lever left kit



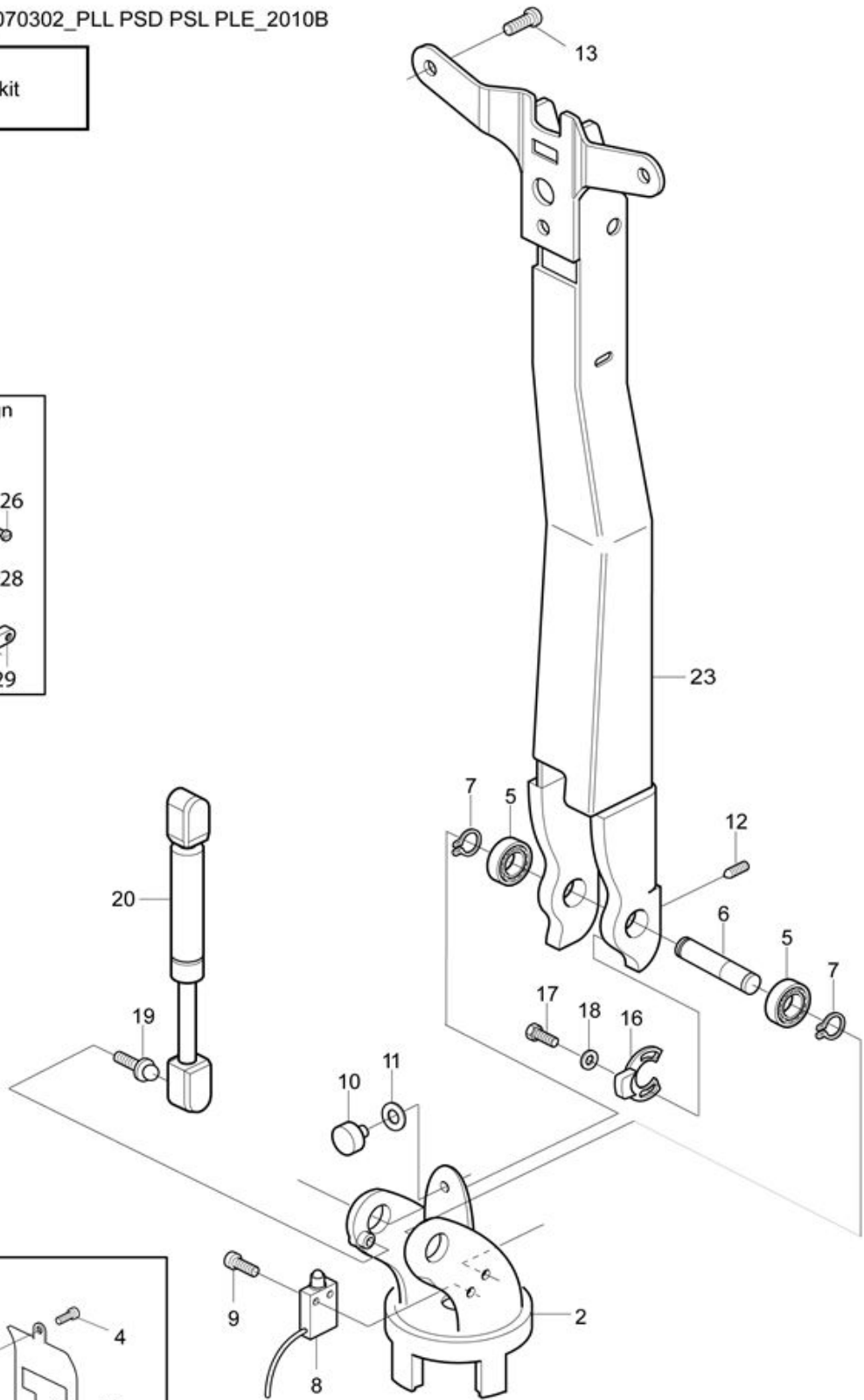
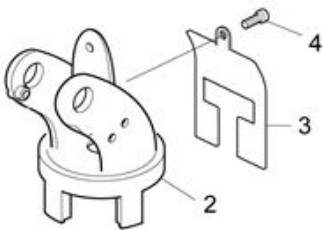
PLL PSD PSL PLE_070302_PLL PSD PSL PLE_2010B

1001 — Chassis kit

8. Cold store design



-2010w20



Hydraulenhet PLL (-2009w44) - Hydraulic unit PLL (-2009w44)
Hydraulaggregat PLL (-2009w44) - Aggregat hydraulique PLL (-2009w44)

Pos.	Beskrivning	Designation	Bezeichnung	Dénomination	Qty	Part No.
1	Påfyllningsplugg	Filler plug	Einfüllschraube	Bouchon de remplissage	1	109329
2	Tank	Tank	Tank	Réservoir	1	108254
3	Monteringssats, tank	Assembly kit, tank	Montagesatz, tank	Kit de montage, réservoir	1	108242
4	Sugset -07w23	Suction set	Saug kit	Aspiration kit	1	108253
	Sugset 07w24-	Suction set	Saug kit	Aspiration kit	1	116807
5	Kugghjulspump -07w23	Gear pump	Zahnradpumpe	Pompe à engrenages	1	108147
	Kugghjulspump 07w24-	Gear pump	Zahnradpumpe	Pompe à engrenages	1	116796
6	Filter -07w23	Filter	Filter	Filtre	1	108251
	Filter 07w24-	Filter	Filter	Filtre	1	116787
7	Magnetventil -08w41	Solenoid valve	see 1 Magnetventil	Valve électromagnétique	1	108149
	Magnet, 24V 08w42-	Solenoid, 24V	Magnet, 24V	Aimant, 24V	1	116993
8	Backventil	Check valve	Rückschlagventil	Clapet de retenue	1	108240
9	Packningssats	Gasket set	Dichtungssatz	Jeu de joints	1	108150
10	Hus inkl. tätning -07w23	Housing incl. sealing	Gehäuse inkl. dichtung	Carter incl. étanchéité	1	108247
	Hus inkl. tätning 07w24-	Housing incl. sealing	Gehäuse inkl. dichtung	Carter incl. étanchéité	1	116799
12	Medbringare, kit	Carrier, kit	Mitnehmer, satz	Entraîneur, kit	1	108146
13	Axeltätning	Axle sealing	Achsedichtung	Étanchéité d'Axe	1	108239
15	Ventil	Valve	Ventil	Valve	1	109322
16	Tryckbegr. ventil	Relief valve	Druckbegr. ventil	Soupape de refoulement	1	108148
17	Pumpmotor	Pumpmotor	Pumpenmotor	Moteur de pompe	1	108144
18	Kolsats	Brush set	Kohlenbürst. satz	Jeu de balai charbon	1	108145
19	Hydraulventil 08w42-	Hydraulic valve	Hydraulikventil	Distributeur hydraulique	1	118604
1001	Hydraulaggregat	Hydraulic unit See 119844	Hydraulikaggregat	Aggrégat hydraulique	1	116986

Hydraulenhet PSD/PLE (2008w39-) - Hydraulic unit PSD/PLE (2008w39-)

Hydraulaggregat PSD/PLE (2008w39-) - Aggregat hydraulique PSD/PLE (2008w39-)

Pos.	Beskrivning	Designation	Bezeichnung	Dénomination	Qty	Part No.
1	Hus	Housing	Gehäuse	Batîment	1	118813
2	Pumpmotor	Pumpmotor	Pumpenmotor	Moteur de pompe	1	108144
3	Kuggjulspump	Gear pump	Zahnradpumpe	Pompe à engrenages	1	118804
4	Koppling	Drive coupling	Fahrkupplung	Accouplement	1	117802
5	Plasttank	Plastic tank	Tank	Réservoir	1	118805
6	Tryckbegr. ventil	Relief valve	Druckbegr. ventil	Soupape de refoulement	1	108148
7	Backventil	Check valve	Rückschlagventil	Clapet de retenue	1	118806
8	Riktningventil	Direct. valve	Richtungsventil	Distributeur	1	118807
9	Magnet, 24V	Solenoid, 24V	Magnet, 24V	Aimant, 24V	1	116991
10	Riktningventil	Directional valve	Richtungsventil	Distributeur	2	117813
11	Magnet, 24V	Solenoid, 24V	Magnet, 24V	Aimant, 24V	2	116993
12	Tryckbegränsningsventil	Relief valve	Druckbegr. ventil	Soupape de refoulement	1	118808
13	Returrör	Return tube	Rücklaufrohr	Buse	1	117815
14	Påfyllningsplugg	Filler cap See 108335	Einfüllschraube	Bouchon de remplissage	1	118809
15	Sugsil	Suction tube w. strainer	Filter	Filtre	1	118810
16	O-ring	O-Ring	O-Ring	Joint torique	1	117807
17	Slangklämma	Hose clamp	Schlauchklammer	Collier de serrage	1	118811
18	Klämma	Clamp	Klammer	Bride	2	118812
19	Kolsats	Brush set	Kohlenbürst. satz	Jeu de balai charbon	1	108145
	<i>Together with pump motor 108144</i>					
1001	Hydraulaggregat	Hydraulic unit	Hydraulikaggregat	Aggrégat hydraulique	1	118823

Kraftkablage PLL/PSD/PSL/PLE (ATC T4/Original, -2008w41) - Power cables PLL/PSD/PSL/PLE (ATC T4/Original, -2008w41)

Hauptstromkabel PLL/PSD/PSL/PLE (ATC T4/Original, -2008w41) - Câble multiple d'alimentation PLL/PSD/PSL/PLE (ATC T4/Original, -2008w41)

Pos.	Beskrivning	Designation	Bezeichnung	Dénomination	Qty	Part No.
1	Kablage, batterihandske	Cable h., battery plug	Hauptk., batteriestecker	Câble m., cable batterie	1	108602
2	Kablage, batterihandske	Cable h., battery plug	Hauptk., batteriestecker	Câble m., cable batterie	1	108605
3	Skruv	Screw	Schraube	Vis	2	109873
4	Fjäderbricka	Spring washer	Federring	Rondelle grower	2	109844
5	Kabel B+	Cable B+	Kabel B+	Câble B+	1	109403
6	Cable B-	Cable B-	Kabel B-	Câble B-	1	109402
7					1	118358
8					1	118356
9					1	118357
10	Kabel, säkring - kont.	Cable, fuse - contactor	Kabel	Câble	1	109401
11	Kabel, pumpmotor+	Cable, pumpmotor+	Kabel	Câble	1	118422
12	Kabel, pumpmotor-	Cable, pumpm- See 11842	Kabel	Câble	1	118421

CLICK HERE TO **DOWNLOAD** THE COMPLETE MANUAL

- Thank you very much for reading the preview of the manual.
- You can download the complete manual from: www.heydownloads.com by clicking the link below



- Please note: If there is no response to CLICKING the link, please download this PDF first and then click on it.

CLICK HERE TO **DOWNLOAD** THE COMPLETE MANUAL