

# ATLET

## MASTER MANUAL

Machine: OP

Manual No: 005946

Edition: 2010-10-20

Approved 2011-06-14:

Johan Rydell  
Technical Documentation



<i>Edition: -</i>	Works Manager Instructions Betriebsleiterinstruktion Instruction de chef d'atelier
<i>Edition: -</i>	Serviceföreskrifter Service Instructions Wartungsanweisung Instructions d'entretien
<i>Edition: -</i>	Förarinstruktion Driver Instruction Fahrerinstruktion Instruction de conducteur
<i>Edition: 2010-10-14</i>	Chassi Chassis Rahmenteile Châssis
<i>Edition: 2010-04-01</i>	Driv enhet Drive Unit Antrieb Unité de traction
<i>Edition: 2010-04-06</i>	Mast Mast Mast Mât
<i>Edition: 2009-10-14</i>	Styrning Steering Lenkung Commande et direction
<i>Edition: 2010-02-26</i>	Hydraulsystem Hydraulic System Hydraulikanlage Unité Hydraulique
<i>Edition: 2010-05-19</i>	Lyftcylinder Lift Cylinder Hubzylinder Vérin de levage
<i>Edition: 2010-10-20</i>	Elsystem Electrical System Elektrische Anlage Système Électrique
<i>Edition: 2004A</i>	Fart- och bromssystem Drive and Brake system Fahr- und Bremsesystem Système Vitesse Et Freinage
<i>Edition: 2007A</i>	Övrigt Miscellaneous Sonstiges Divers

CLICK HERE TO **DOWNLOAD** THE COMPLETE MANUAL

- Thank you very much for reading the preview of the manual.
- You can download the complete manual from: [www.heydownloads.com](http://www.heydownloads.com) by clicking the link below



- Please note: If there is no response to CLICKING the link, please download this PDF first and then click on it.

CLICK HERE TO **DOWNLOAD** THE COMPLETE MANUAL

**Chassi OP - Chassis OP**  
**Rahmentteile OP - Chassis OP**

Pos.	Beskrivning	Designation	Bezeichnung	Dénomination	Qty	Part No.	
43	Distans <i>H4&gt;4500</i>	Spacer	Abstandhalter	Entretoise	2	103470	
44	Fäste <i>H4&gt;4500</i>	Holder	Halter	Attache	2	103469	
45	Skruv M6S 12x25	Screw M6S 12x25	Schraube	Vis	4	010265	
46	Bricka BRB	Flat washer	Scheibe	Rondelle	4	012383	
47	Sexkantsskruv M6S 16x120	Screw M6S 16X120			2	010349	
50	Axel <i>OPM</i>	Axle	Achse	Axe	2	103482	
	Axel <i>OPH, OPS, OPC</i>	Axle	Achse	Axe	2	103484	
51	Planbricka	Plain washer	Planscheibe	Rondelle plate	2	012371	
52	Skruv M6S 6x16	Screw M6S 6x16	Schraube M6S 6x16	Vis M6S 6x16	2	010093	
53	Gummiskydd <i>OPM</i>	Rubber protection	Gummischürze	Plaque de caoutchouc	4	057596	
	Gummiskydd <i>OPH, OPS, OPC</i>	Rubber protection	Gummischürze	Plaque de caoutchouc	4	058661	
54	Platte <i>OPH, OPS, OPC</i>	Plate	Platte	Plaque	4	058757	
	Platta <i>OPM</i>	Plate	Platte	Plaque	4	075686	
55	Bricka AZV 8.4	Washer	Scheibe	Rondelle	8	012316	
56	Skruv MF6S M8x20 -10.9	Screw MF6S M8x20 -10.9	Schraube	Vis	8	011027	
57	Skruv M6S 16x200	Screw M6S 16x200	Schraube	Vis	2	010353	
58	Låsbricka, Nordlock	Safety lock washer	Sicherungsscheibe	Rond. de blocage de sécur	4	008550	
59	Mutter M6M16	Nut	Mutter	Ecrou	2	012128	
60	Skruv M6S 10x45	Screw M6S 10x45	Schraube	Vis	2	010214	
61	Bricka	Washer	Scheibe	Rondelle	2	012499	
65	Hjul, kompl. <i>OPH, OPS, OPC</i>	Wheel, assy. <i>Not greaseable</i>	Non g Rad, kompl.	Nicht at Roue, compl.	Non graissa	4	060477
	Hjul, kompl. <i>OPM, -07w12</i>	Wheel, assy.	Non g Rad, kompl.	Nicht at Roue, compl.	Non graissa	2	060477
	Hjul <i>OPM, 07w13-</i>	Wheel	Rad	Roue		2	107078
66	Distans <i>OPM, 26x32x18, -07w12</i>	Spacer	Abstandhalter	Entretoise	2	060177	
	Distans <i>OPH, OPS, OPC, 26x32x5.5</i>	Spacer	Abstandhalter	Entretoise	4	060298	
	Distans <i>OPM, 26x32x5,5, -07w12</i>	Spacer	Abstandhalter	Entretoise	2	060298	
	Distans <i>OPM, 26x32x12, 07w13-</i>	Spacer	Abstandhalter	Entretoise	4	107077	
67	Underrede <i>OPM</i>	Chass supp frame	Rahmengestell	Embase	1	103157	
	Underrede <i>OPS</i>	Chass supp frame	Rahmengestell	Embase	1	103275	
	Underrede <i>OPC</i>	Chass supp frame	Rahmengestell	Embase	1	103352	

**Förarkorg OP (2002w18-) - Drivers cabin OP (2002w18-)**  
**Fahrerkabine OP (2002w18-) - Cabine de conduit OP (2002w18-)**

Pos.	Beskrivning	Designation	Bezeichnung	Dénomination	Qty	Part No.
1	Förarskydd B3=890	Overhead guard,State B3!	Fahrerschutz, State B3! me:	Protect. de conduc.B3? Measur	1	103074
	State B3				1	126835
2	Plåt With pos. 1	Plate	Platte	Plaque	2	103119
3	Ändavslutning Without pos. 1	End socket	Endhülse	Doille d'extrémité	2	103477
4	Stolpe, vänster With pos. 1	O h g side pl, left	Stütze, links	Montant prot. cariste, g	1	103379
	Stolpe, höger With pos. 1	O h g side pl, right	Stütze, rechts	Montant prot. cariste, d	1	103380
	Stolpe, höger Without pos. 1	O h g side pl, right	Stütze, rechts	Montant prot. cariste, d	1	103459
	Stolpe, vänster Without pos. 1	O h g side pl, left	Stütze, links	Montant prot. cariste, g	1	103460
5	Mutter M6M16	Nut	Mutter	Ecrou	4	012128
6	Låsbricka, Nordlock	Safety lock washer	Sicherungsscheibe	Rond. de blocage de sécur	4	008550
7	Skruv MC6S 16x60 12.9	Screw MC6S 16x60	Schraube	Vis	4	010829
8	Grindrör Gates	Gate pipe	Schrankerohr	Tube de barrière	2	103360
9	Bricka 8.5x32x2.5	Washer 8.5x32x2.5	Scheibe 8.5x32x2.5	Rondelle 8.5x32x2.5	18	012503
10	Ändavslutning Gates	End socket	Endhülse	Douille d'extrémité	2	103401
11	Ändavslutning Gates	Plug	Propfen	Bouchon	2	103400
12	Räcke, v	Rail, l	Schutzgeländer, l	Rail, g	1	103172
	Räcke, h	Rail, r	B3-measu Schutzgeländer, r	Rail, d	1	103261
13	Sexkantsskruv K6S 8x30	Hexagon screw K6S 8x30	SechskantSchr. K6 8x30	Vis hexagonale K6 8x30	2	014728
14	Sexkantsmutter	Hexagon nut	Sechskantmutter	Ecrou hexagonale	4	012120
15	Täcklock	Cover	Deckel	Couvercle	4	103468
20	Sexkantsskruv K6S 8x30	Hexagon screw K6S 8x30	SechskantSchr. K6 8x30	Vis hexagonale K6 8x30	2	014728
22	Distans Gates	Spacer	Abstandhalter	Entretoise	8	103364
23	Sträva Gates	Rod	Mauerständer	Cadre	1	103186
26	Grindstag Gates	Gate stay	Schrankestütze	Etai de barrière	2	103351
27	Gasfjäder Gates	Gas spring	Gasfeder	Ressort de gaz	2	103429
28	Karmkontakt	Contact	Kontakt	Contact	1	103394
29	Mutter M6M4	Nut	Mutter	Ecrou	8	012112
30	Fäste, v	Holder, l	Halter, l	Attache, g	1	103381
	Fäste, h	Holder, r	Halter, r	Attache, d	1	103383
31	Skruv MCS 4x12	Screw Mc6s 4x12	Schraube	Vis	8	011292
32	Sparkplåt, h Gates	Plate, r	Platte, r	Plaque, d	1	103177

**Skenstyrning, låg profil OP - Rail guidance, low profile OP**  
**Schienerführung, niederprofil OP - Guidage par rail, profil bas OP**

Pos.	Beskrivning	Designation	Bezeichnung	Dénomination	Qty	Part No.
1	Fäste	Holder	Halter	Attache	1	059636
2	Axel	Axle	Achse	Axe	2	079650
3	Äntringsrulle	Roller	Rolle	Poulie	2	079649
4	Sp.stift FRP5x50	Roll pin	Spannstift	Goupille	2	012925
5	Skruv MF6S 5x10	Screw MF6S 5x10	Schraube	Vis	4	010951
6	Lock	Cover	Deckel	Couvercle	1	079313
7	Skruv MF6S 12x20	Screw MF6S 12x20	Schraube	Vis	1	011125
8	Bricka	Washer	Scheibe	Rondelle	1	079315
9	Vinkelkontaktkullager	Roller bearing	Kugellager	Roulement à billes	1	008217
10	Hjul, D=120mm	Wheel	Rad	Roue	1	079312
	Hjul, D=140mm	Wheel	Rad	Roue	1	079721
11	Distans	Spacer	Abstandhalter	Entretoise	1	079317
12	Excenter	Exentric	Exzenter	Excentrique	1	079316
13	Axel	Axle	Achse	Axe	1	079314
14	Spännstift	Roll pin	Spannstift	Goupille	1	012933
15	Fjäderbricka	Spring washer	Federring	Rondelle grower	32	012283
16	Skruv M6S 12x25	Screw M6S 12x25	Schraube	Vis	32	010265
17	Konsol <i>OPMH</i>	Bracket	Konsole	Support	4	103560
	Konsol <i>OPC</i>	Bracket	Konsole	Support	4	103561
	Konsol <i>OPS</i>	Bracket	Konsole	Support	4	103562
18	Täckplåt <i>OPMH</i>	Cover plate	Deckblech	Protecteur de tôle	4	103563
	Täckplåt <i>OPC</i>	Cover plate	Deckblech	Protecteur de tôle	4	103564
	Täckplåt <i>OPH</i>	Cover plate	Deckblech	Protecteur de tôle	4	103565
19	Skruv M6S*12H-8.8	Hexagon screw M6S*12H-	Sechskant SchrM6S*12H-8.8	Vis hexagonal M6S*12H-8.8	16	010089
20	Fjäderbricka FBB 6.1	Spring washer	Federring	Rondelle grower	16	012271
29	Distans, 1mm	Spacer	Abstandhalter	Entretoise	8	058104
	Distans, 3mm	Spacer	Abstandhalter	Entretoise	8	058977
30	Stödbalk	Bearer	Stützbalken	Lambourde	2	060083
31	Fjäderbricka FBB	Spring washer	Federring	Rondelle grower	8	012279
32	Skruv MC6S M10x25	Screw MC6S M10x25	Schraube	Vis	8	010694
33	Hållare, fotocell	Bracket/Holder	Konsole/Halter	Support	2	060051
34	Givare	Sensor	Geber	Capteur	2	005616
35	Skruv MF6S M5x14 -10.9	Screw MF6S M5x14 -10.9	Schraube	Vis	4	010955

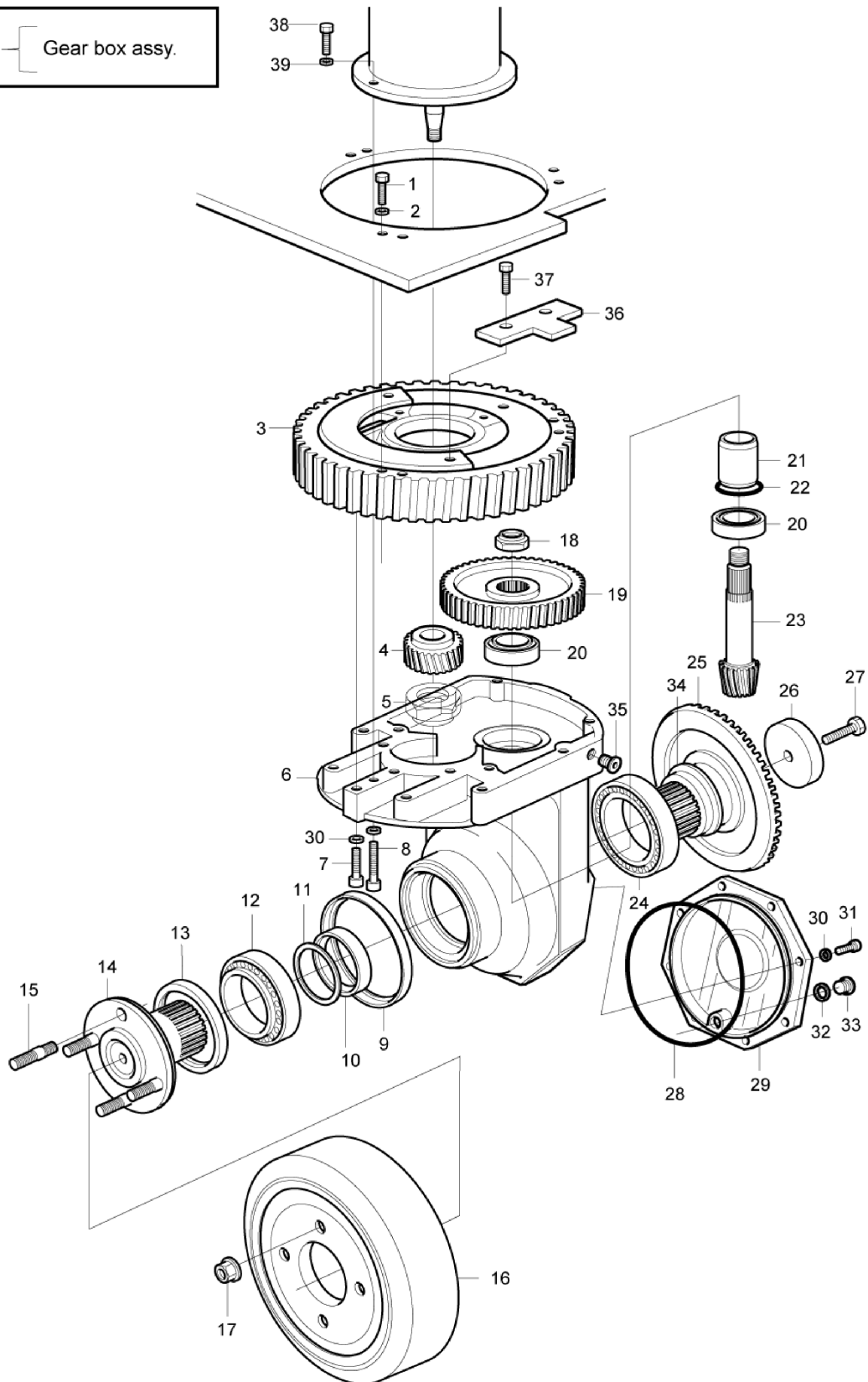
**Dekaler OP - Decals OP**

**Aufkleber OP - Autocollant OP**

Pos.	Beskrivning	Designation	Bezeichnung	Dénomination	Qty	Part No.
1	Dekal, Nissan röd 250 mm	Decal, Nissan red	Aufkleber, rot	Autocollants, rouge	2	113513
2	Dekal, Nissan vit 400 mm	Decal, Nissan white	Aufkleber, weiß	Autocollants, blanc	1	113518
3	Dekal, Säkring USA	Decal, Fuse	Aufkleber, Sicherung	Autocollants, Fusible	1	107137
4	Dekal, Mast 10w38-	Decal, Mast	Aufkleber, Mast	Autocollants, Mât	1	119851
5	Dekal, Max 1 person 10w38-	Decal, Max 1 person	Aufkleber, Max 1 person	Autocollants, Max 1 pers.	1	119852
6	Dekal, General warning - 13w17, USA NOT for new construction	Decal, General warn.	Aufkleber, General w..	Autocollants, General w..	1	126230
	Dekal, varning 13w18 -, USA	Decal, warning			1	150730
7	Dekal, Nödsänkning 10w38-	Decal, Emer. lowering	Aufkleber, notsenkung	Autoc., Descent d'urgence	1	119853

OP\_50200\_OP\_2001A

1001 — Gear box assy.



**Mast OP TV (-2002w17) - Mast OP TV (-2002w17)**

**Mast OP TV (-2002w17) - Mât OP TV (-2002w17)**

Pos.	Beskrivning	Designation	Bezeichnung	Dénomination	Qty	Part No.
1	Brytrulle <i>For cable</i>	Chain pulley	Umlenkrolle	Poulie de renvoi	2	103266
2	Spårring SGA 25	Circlip	Nutring	Circlip	4	012647
3	Skruv M6S M12x40 -10.9	Screw M6S M12x40 -10.9	Schraube	Vis	2	010272
4	Bricka	Washer	Scheibe	Rondelle	2	071541
5	<i>See section 9</i>				2	
6	Axel	Axle	Achse	Axe	1	103105
7	Distans	Spacer	Abstandhalter	Entretoise	5	065309
	Distanselement 2001w01-	Spacer	Distanzring	Douille d'écartement	1	103666
8	Brytrulle <i>-2001w01. Including pos. 8-10.</i>	Chain pulley	Umlenkrolle	Poulie de renvoi	3	058105
	Brytrulle 2001w01-. Including pos. 8-10.	Chain pulley	Umlenkrolle	Poulie de renvoi	2	058105
	Brytrulle	Chain pulley	Umlenkrolle	Poulie de renvoi	2	058108
9	Kullager	Roller bearing	Kugellager	Roulement à billes	4	008052
10	Spårring SGH 52	Circlip	Nutring	Circlip	4	012755
11	Distans	Spacer	Abstandhalter	Entretoise	1	065309
13	Innermast <i>When order please state liftheight.</i>	Inner mast	Innenmast	Mât intérieur	1	103053
14	Axel	Axle	Achse	Axe	1	103106
15	Brytrulle <i>For hose</i>	Chain pulley	Umlenkrolle	Poulie de renvoi	2	058110
17	Stödrulle	Thrust roller	Stützrolle	Galet	4	008107
18	Axeltappsbricka	Ax.spindle washer	Achszapfenscheibe	Rondelle pour axe	4	065783
19	Skruv MF6S M8x16 -10.9	Screw MF6S M8x16 -10.9	Schraube MF6S M8x16 -10.9	Vis	8	011023
20	Tryckbricka	Pressure washer	Druckscheibe	Rondelle de butée	4	103104
21	Sidostödsrulle	Thrust roller	Stützrolle	Galet	4	103103
22	Fjäderbricka FBB	Spring washer	Federring	Rondelle grower	4	012279
23	Skruv MC6S M10x40	Screw MC6S M10x40	Schraube	Vis	4	010701
24	Fäste	Holder	Halter	Attache	2	103057
	Kedjefäste 2001w01-	Chain bracket	Kettenbefestigung	Fixation de chaîne	2	103664
25	Fjäderbricka	Spring washer	Federring	Rondelle grower	2	012289
26	Mutter M6M16	Nut	Mutter	Ecrou	2	012128
27	Mässingsskruv M6S M16x60	Brass screw M6S M16x60	Messingschraube	Vis laiton	2	010411
30	Lyftkedja, kpl <i>-2001w01. Including pos. 31, 32, 54 and 55. When order please state liftheight.</i>	Lift chain, cpl	Hubkette, kpl	Chaîne de levage, cpl	2	103109
	Lyftkedja, kpl 2001w01-. Including pos. 31, 32, 54 and 55. When order please state liftheight.	Lift chain, cpl	Hubkette, kpl	Chaîne de levage, cpl	2	103662
31	Saxpinnebult <i>-2001w01</i>	Split pin bolt	Splintbolzen	Axe à tête	1	066077
	Saxpinnebult 2001w01-	Split pin bolt	Splintbolzen	Axe à tête	1	103665
32	Kedjebult <i>-2001w01</i>	Chain bolt	Kettenbolzen	Chape de chaîne	1	103398

CLICK HERE TO **DOWNLOAD** THE COMPLETE MANUAL

- Thank you very much for reading the preview of the manual.
- You can download the complete manual from: [www.heydownloads.com](http://www.heydownloads.com) by clicking the link below



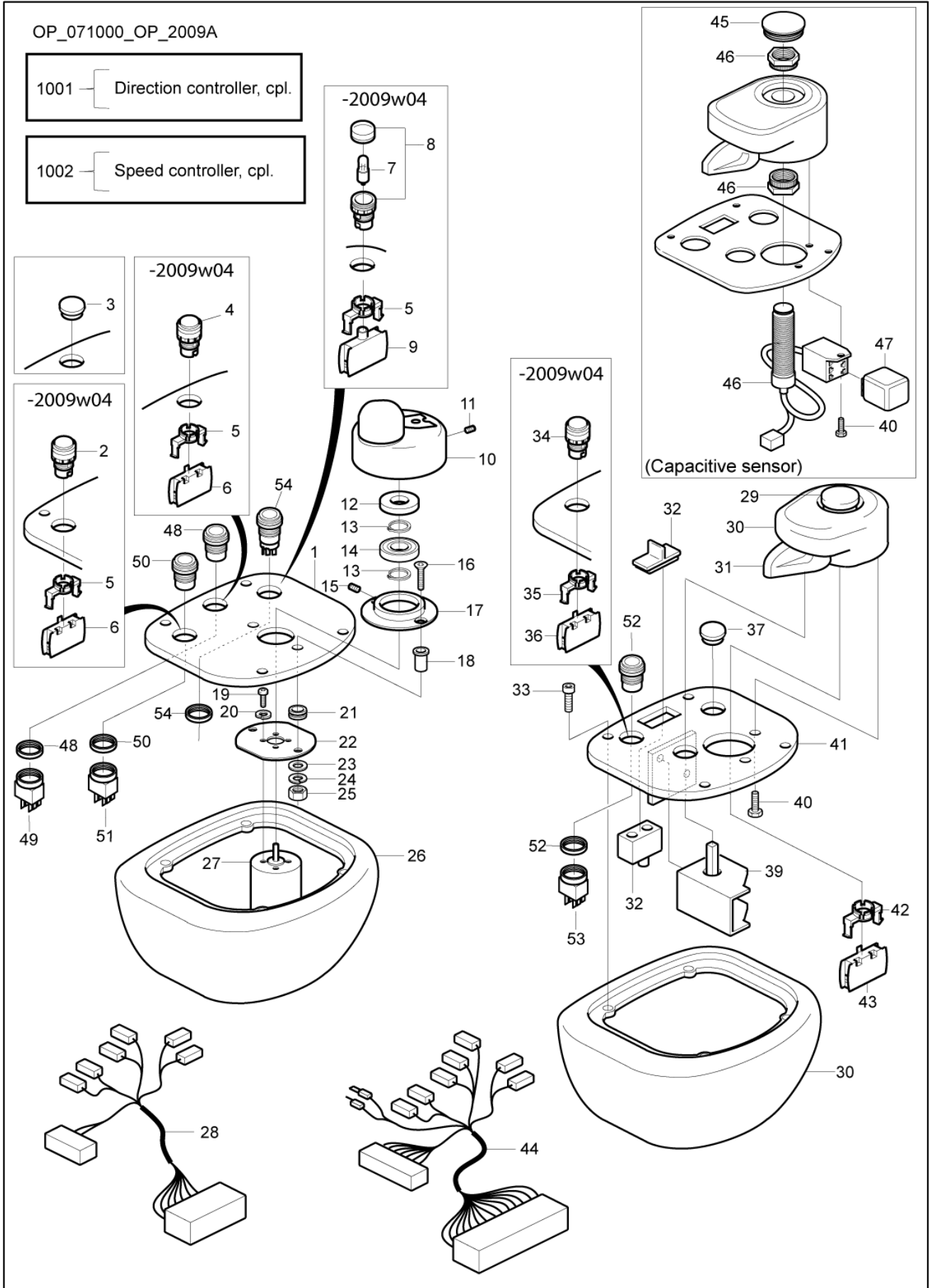
- Please note: If there is no response to CLICKING the link, please download this PDF first and then click on it.

CLICK HERE TO **DOWNLOAD** THE COMPLETE MANUAL

**Mast OP DTFV - Mast OP DTFV**

**Mast OP DTFV - Mât OP DTFV**

Pos.	Beskrivning	Designation	Bezeichnung	Dénomination	Qty	Part No.
82	Dämpare 07w06-	Damper	Dämpfer	Modérateur	3	106718
83	Bricka BRB 07w06-	Washer	Scheibe	Rondelle	3	012375
84	Mutter M6M Nyloc M8 07w06-	Nut M6M Nyloc M8	Mutter M6M Nyloc M8	Ecrou M6M Nyloc M8	3	012163
85	Skruv MC6S M10x50 07w06-	Screw MC6S M10x50	Schraube	Vis	3	010705
86	Bricka, säkerhetslås 07w06-	Safety lock washer	Scheibe, Verschluss	Rondelle, verrouillage	6	111558
87	Mutter M6M M10-8 07w06-	Nut	Mutter	Ecrou	3	012122



**Hydraulsystem, maskinhus OP (-2002w39) - Hydraulic system, machine housing OP (-2002w39)**  
**Hydraulische anlage, maschinenhaus OP (-2002w39) - Unité hydraulique, bat de machines OP (-2002w39)**

Pos.	Beskrivning	Designation	Bezeichnung	Dénomination	Qty	Part No.
1	Skruv MC6S M8x45	Screw MC6S M8x45	Schraube	Vis	2	010645
2	Bricka BRB	Washer	Scheibe	Rondelle	2	012375
4	Filter <i>Including pos. 4-13.</i>	Filter	see 11262 Filter	Filtre	1	110892
5	Luftfilter	Air filter	See 1136 Luftfilter	Filtre à air	1	110894
6	Tätning	Sealing	UFI Dichtung	Bague d'étanchéité	1	110895
7	<i>Non spare part</i>				1	
8	O-ring	O-ring	UFI O-ring	Joint torique	1	110896
9	Filterinsats	Filter insert	See 113 Filtereinsatz	Filtre de rechange	1	110893
10	<i>Non spare part</i>				1	
11	<i>Non spare part</i>				1	
12	Slangklämma	Hose clamp	Schlauchklammer	Collier de serrage	1	014015
13	Slang	Plastic hose	Kunststoffschlauch	Tuyau plastique	1	073568
17	Gummistålsbricka	Washer	Scheibe	Rondelle	1	002235
18	Adapter	Adapter	Adapter	Bague d'ajustage	1	003635
19	Hydraulslang	Hydraulic hose	Hydraulikschlauch	Tuyau métall.flexib.	1	103496
20	Skruv MF6S M6x25 -10.9	Screw MF6S M6x25 -10.9	Schraube	Vis	4	010995
21	Ring	Ring	Ring	Anneau	1	073821
22	Tätning	Sealing	Dichtung	Bague d'étanchéité	1	073827
23	Låsning	Securing plate	Sicherungsblech	Lame de serrage	1	074700
24	Hydraultank	Hydraulic tank	Hydrauliktank	Réservoir hydraulique	1	103217
27	Koppling	Coupling	Kupplung	Raccord	1	009177
28	Hydraulslang -02w17 H4>1500	Hydraulic hose	Hydraulikschlauch	Tuyau métall.flexib.	1	103457
	Hydraulslang -02w17 H4<1500	Hydraulic hose	Hydraulikschlauch	Tuyau métall.flexib.	1	103581
	Hydraulslang 02w18-	Hydraulic hose	Hydraulikschlauch	Tuyau métall.flexib.	1	103884
29	O-ring	O-ring	O-ring	Joint torique	1	013851
30	Hydraulaggregat OPM	Hydraulic unit	Hydraulikaggregat	Aggrégat hydraulique	1	101023
	Hydraulaggregat OPC, OPS	Hydraulic unit	Pump. Hydraulikaggregat	Aggrégat hydraulique	1	103373
	Hydr.aggr.kompl. OPH	Hydraulic unit cml 11cc	Hydr.-Aggr kompl	Aggr.hydraul.compl	1	104527
31	Fjäderbricka FBB -00w20	Spring washer	Fbb : Federring	Rondelle grower	1	012275
32	Skruv MC6S M8x35 -00w20	Screw MC6S M8x35	Schraube	Vis	1	010641
33	Spännband OPH, OPS, OPC	Tensioner band	Klemmband	Bride de serrage	1	103451
36	O-ring OPH, OPS, OPC	O-ring	O-ring	Joint torique	1	013761
37	Flänskoppling OPH, OPS, OPC	Flange union	Flanschverschraub.	Raccord à brides	1	009034

**Hydraulsystem, mast OP DTFV - Hydraulic system , mast OP DTFV**  
**Hydraulische anlage, mast OP DTFV - Unité hydraulique, mât OP DTFV**

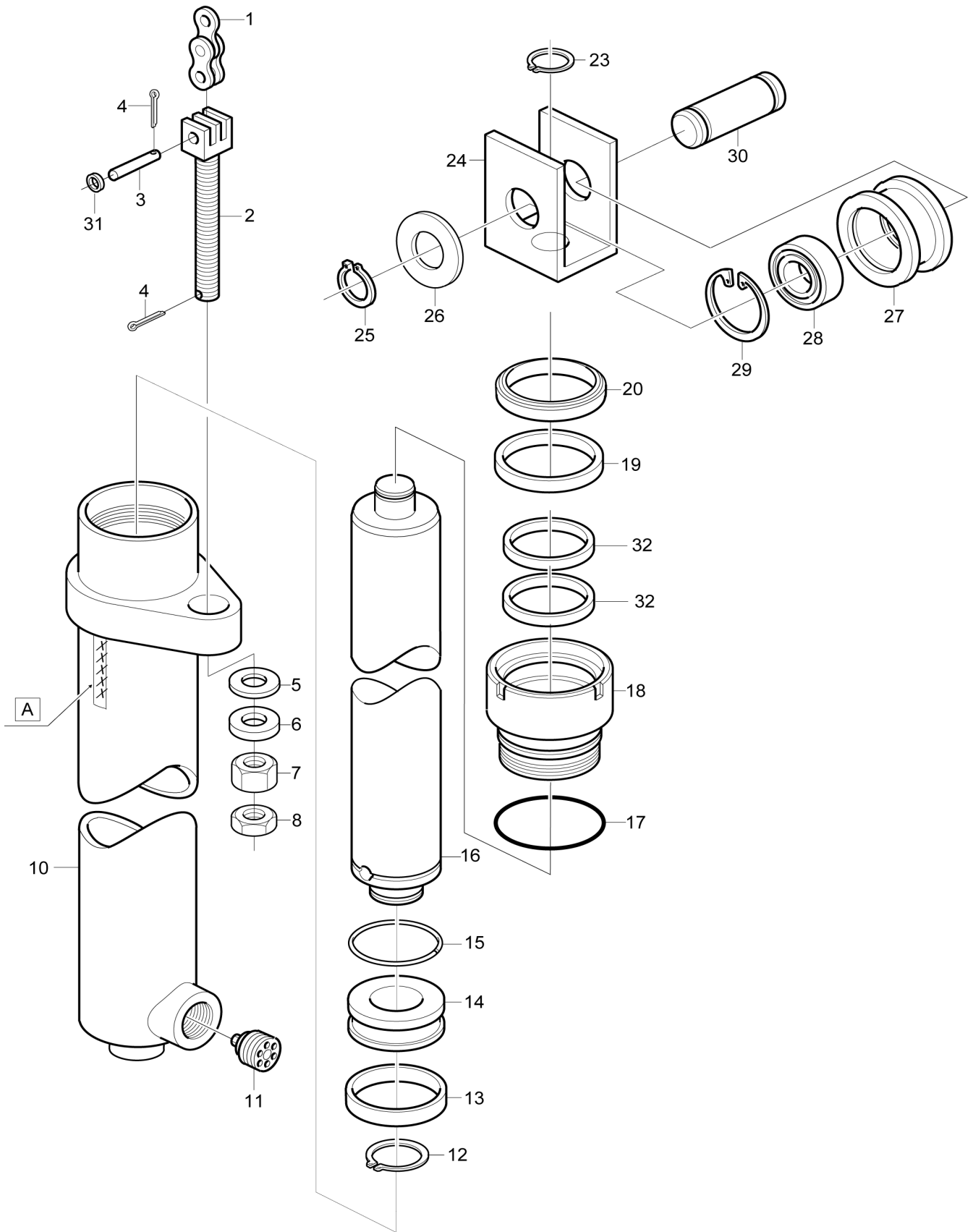
Pos.	Beskrivning	Designation	Bezeichnung	Dénomination	Qty	Part No.
1	Koppling GE 15L 1/2"	Coupling, 1/2"	Kupplung, 1/2"	Raccord, 1/2"	4	009000
2	T-koppling	T-coupling	T-verschraubung	Raccord T	1	009018
3	Hydraulrör	Hydraulic pipe	Hydraulikrohr	Tube hydraulique	1	103913
4	Skruv M6S M6x30	Screw M6S M6x30	Schraube	Vis	7	010103
5	Klamma	Clamp	Klammer	Bride	2	103941
6	Hydraulrör <i>When order please state liftheight.</i>	Hydraulic pipe	Hydraulikrohr	Tube hydraulique	1	103899
7	Plastklamma	Clamp	Klammer	Bride	2	003465
8	Koppling EVVO 12L	Coupling	Kupplung	Raccord	2	009041
9	Skarvkoppling	Pipe coupling	Rohrverschraub.	Raccord de tubes	2	009132
10	Hydraulslang	Hydraulic hose	Hydraulikschlauch	Tuyau métall.flexib.	1	103845
11	Hydraulslang	Hydraulic hose	repla Hydraulikschlauch	Tuyau métall.flexib.	1	103911
12	Hydraulslang <i>When order please state liftheight.</i>	Hydraulic hose	Hydraulikschlauch	Tuyau métall.flexib.	1	103881
	Hydraulslang <i>Replaced by 150469</i>	Hydraulic hose	repla Hydraulikschlauch	Tuyau métall.flexib.	1	103882
	Hydraulslang, initial <i>When ordering please state liftheight</i>	Hydraulic hose, Initial repl:	Hydraulikschlauch, initi.	Tuyau métall.flexib.	1	150469
13	Hydraulrör	Hydraulic pipe	Hydraulikrohr	Tube hydraulique	1	103900
14	Hydraulblock	Hydraulic block	Hydraulikblock	Bloc hydraulique	1	103847
15	Hydraulblock	Hydraulic block	Hydraulikblock	Bloc hydraulique	1	103811
16	Koppling GE 12L 3/8"	Coupling	Kupplung	Raccord	8	009048
17	Hydraulrör	Hydraulic pipe	Hydraulikrohr	Tube hydraulique	1	103844
18	Hydraulrör	Hydraulic pipe	Hydraulikrohr	Tube hydraulique	1	103843
19	Hydraulrör	Hydraulic pipe	Hydraulikrohr	Tube hydraulique	1	103912
20	Hydraulslang	Hydraulic hose	repla Hydraulikschlauch	Tuyau métall.flexib.	2	103854
21	Hydraulrör	Hydraulic pipe	Hydraulikrohr	Tube hydraulique	1	103914
22	Skruv MC6S M6x30	Screw MC6S M6x30	Schraube	Vis	7	010589
23	Fjäderbricka FBB 6.1	Spring washer	Federring	Rondelle grower	7	012271
24	Koppling GE 12L 1/2"	Coupling	Kupplung	Raccord	3	009013
25	Skruv M6S M8x35	Screw M6S M8x35	Schraube	Vis	2	010150
26	Fjäderbricka FBB	Spring washer	Fbb : Federring	Rondelle grower	2	012275
27	Plugg	Plug	R 3/4" Ppropfen	Bouchon	1	009258
28	Skruv 2004w07-	Screw	Schraube	Vis	2	014786
29	Skyddsplåt 2004w07-	Protective plate	Schutzbleck	Plaque de protection	1	103902

## Proportional ventil OP - Proportional valve OP

### Proportionales ventil OP - Proportionelle soupape OP

Pos.	Beskrivning	Designation	Bezeichnung	Dénomination	Qty	Part No.
1	Backventil, kompl.	Check valve, compl.	Rückschlagventil, kompl.	Clapet de retenue, compl.	1	101123
2	Stjärnvred	Star knob	Sterngriff	Poignée en étoile	1	103585
3	Tryckbegr. ventil	Relief valve	Druckbegr. ventil	Soupape de refoulement	1	101126
4	Reglermagnet	Magnet	Magnet	Aimant	1	101125
5	Koppling GE 12L GB 1/4"	Coupling	Kupplung	Raccord	1	009066
6	Koppling GE 18L 1/2"	Coupling	Kupplung	Raccord	2	009254
7	Koppling GE 15L 3/8"	Coupling	Kupplung	Raccord	1	009294
8	Filtersil	Filter	Filter	Filtre	1	101128
1001	Hydraulventil, komplett	Hydraulic valve, complete	Hydraulikventil, komplett	Distributeur hydr. compl.	1	103372
1002	Tätningssats	Gasket set	Dichtungssatz	Jeu de joints	1	101145

OP\_90300\_OP\_2012A



**Kablage, DTFV-mast - Wiring harness, DTFV-mast**  
**Hauptkabel, DTFV-Mast - Câble multiple, Mât DTFV**

Pos.	Beskrivning	Designation	Bezeichnung	Dénomination	Qty	Part No.
1	Mastkablage (18-pol) -00w39	Mast cable	State I Mastkabel	Câble, mât	1	103487
	Mastkablage (18-pol) 00w40-	Mast cable	State I Mastkabel	Câble, mât	1	103592
	Mastkablage (18-pol) DTFV	Mast cable	H4-me Mastkabel	Câble, mât	1	106498
2	Mastkablage (24-pol) -00w39	Mast cable	State I Mastkabel	Câble, mât	1	103488
	Mastkablage (24-pol) 00w40-	Cable mast	State Mastkabel	Câble, mât	1	103593
	Mastkablage DTFV	Mast cable	Mastkabel	Câble, mât	1	106497
3	Klamma 02w18-	Clamp	Klammer	Bride	8	001757
	Klamma -02w17	Clamp	Klammer	Bride	8	001761
4	Skruv M6S M6x30	Screw M6S M6x30	Schraube	Vis	8	010103
5	Kablage, förarkorg -00w50	Cable harness, cabin	Hauptkabel, kabine	Câble multiple, cabine	1	103403
	Kablage, förarkorg -02w17 Cold store design	Cable harness, cabin	Hauptkabel, kabine	Câble multiple, cabine	1	103587
	Kablage, förarkorg -02w17	Cable harness, cabin	Hauptkabel, kabine	Câble multiple, cabine	1	103681
	Kablage, förarkorg Dual control	Cable harness, cabin	Hauptkabel, kabine	Câble multiple, cabine	1	103855
	Kablage, förarkorg Gates at forks	Cable harness, cabin	Hauptkabel, kabine	Câble multiple, cabine	1	103915
	Motstånd, plugg	Resistor, plug	Pfropfen	Bouchon	1	103999
	Diod, plugg	Diode, plug	Pfropfen	Bouchon	1	104835
	Kablage, förarkorg -10w51 DTFV	Cable harness, cabin	Hauptkabel, kabine	Câble multiple, cabine	1	105900
	Kablage, förarkorg 10w52- DTFV	Cable harness, cabin	Hauptkabel, kabine	Câble multiple, cabine	1	106800
6	Kablage, reglagepanel -00w39	Cable harness, c.panel	Hauptkabel, r.tafel	Câble multiple	1	103409
	Kablage, reglagepanel 00w40-	Cable harness, c.panel	Hauptkabel, r.tafel	Câble multiple	1	103590
	Kablage, reglagepanel Cold store design	Cable harness, c.panel	Hauptkabel, r.tafel	Câble multiple	1	103620
7	Hållare -00w39. D-sub, 10-pin contact	Holder	Halter	Support	1	103458
	Hållare 00w40-. D-sub, 15-pin contact	Holder	Halter	Support	1	103637
	Hållare Controller at forkside. D-sub, 15-pin contact. Flat	Holder	Halter	Support	1	103949
8	Hållare -00w39. D-sub, 18-pin contact	Holder	Halter	Support	1	103461

**Reglagepanel OP - Controller panel OP**  
**Reglagetafel OP - Panneau de réglage OP**

Pos.	Beskrivning	Designation	Bezeichnung	Dénomination	Qty	Part No.
1	Symbolpanel	Panel, symbol	Tafel, kurzzeichen	Panneau, symbole	1	103434
2	Instrumentpanel	Instrument panel	Schalttafel	Tableau de bord	1	103249
3	Brytare, strålkastare	Switch, headlamp	Schalter, scheinwerfer	Interrupteur, projecteur	1	103319
4	Täcklock	Cover plug	Abdeckstopfen	Plaque de Bouchon	4	103324
5	Hållare, mitt	Holder, middle	Halter, mitte	Support, centre	3	103323
6	Hållare, gavel	Holder, end	Konsole, mitte	Support, flasque	2	103322
7	Brytare <i>Presence control</i>	Switch	Schalter	Interrupteur	1	103591
8	Tryckknapp, nödbrytare <i>-2008w17</i>	Emergencystop, button	s Druckknopf, notschalter	Bout., interr. d'urgence	1	103315
	Tryckknapp <i>2008w18-. Only together with</i>	Push button, emergency	Druckknopf	Bouton poussoir	1	104984
9	<i>-09w04</i>	Holder	Halter	Support	1	103313
10	<i>-2008w17</i>	Contact block Expired!!	Kontaktblock	Bloc de contact	2	103311
	Kontaktblock <i>2008w18-</i>	Contact block	Kontaktblock	Bloc de contact	2	104986
11	Batteri indikator	Battery indicator	Batterieanzeige	Indicateur de batt.	1	005448
12	Nyckelvred <i>-09w04</i>	Key	Schlüssel	Clef	1	103314
	Key switch <i>Includes 103314, 103313 and 103312</i>	Key switch			1	107107
13	Kontaktblock, NO <i>-09w04</i>	Contact block	Kontaktblock	Bloc de contact	1	103312
14	Indikeringslampa, rakst. <i>2000w21-</i>	Lamp	Lampe	Lampe	1	103647
15	<i>-2007w17</i>	Holder	Halter	Support	1	103313
	Hållare <i>2008w18-</i>	Holder	Halter	Support	1	104985
	Kontakt, kompl. <i>2008w18-. Incl. pos 10</i>	Contact, assy.	Kontakt, kompl.	Contact, compl.	1	104987
16	Lysdiodkort E4 <i>-2000w20</i>	Diode circuit card	Diode leiterplatte	Diode carte circuit	1	103857
17	Ellås	Key switch	Schaltzschloss	Serrure électriq	1	107127
18	Kontaktblock, Ellås <i>NO LW series</i>	Contact block, Key Switch	Kontaktblock,Schaltzschlos	Bloc de contact,Serrure electriqu	1	107133

CLICK HERE TO **DOWNLOAD** THE COMPLETE MANUAL

- Thank you very much for reading the preview of the manual.
- You can download the complete manual from: [www.heydownloads.com](http://www.heydownloads.com) by clicking the link below



- Please note: If there is no response to CLICKING the link, please download this PDF first and then click on it.

CLICK HERE TO **DOWNLOAD** THE COMPLETE MANUAL