

# ATLET

## MASTER MANUAL

Machine: A-Ergo

Manual No: 005968

Edition: 2010-10-21

Approved 2011-06-14:

Johan Rydell  
Technical Documentation



|                            |  |
|----------------------------|--|
| <i>Edition: -</i>          | Works Manager Instructions<br>Betriebsleiterinstruktion<br>Instruction de chef d'atelier                 |
| <i>Edition: -</i>          | Serviceföreskrifter<br>Service Instructions<br>Wartungsanweisung<br>Instructions d'entretien             |
| <i>Edition: -</i>          | Förarinstruktion<br>Driver Instruction<br>Fahrerinstruktion<br>Instruction de conducteur                 |
| <i>Edition: 2010-10-14</i> | Chassi<br>Chassis<br>Rahmenteile<br>Châssis  |
| <i>Edition: 2010-05-20</i> | Driv enhet<br>Drive Unit<br>Antrieb<br>Unité de traction   |
| <i>Edition: 2010-10-21</i> | Mast<br>Mast<br>Mast<br>Mât  |
| <i>Edition: 2010-05-25</i> | Styrning<br>Steering<br>Lenkung<br>Commande et direction   |
| <i>Edition: 2010-04-22</i> | Hydraulsystem<br>Hydraulic System<br>Hydraulikanlage<br>Unité Hydraulique                                |
| <i>Edition: 2010-10-14</i> | Lyftcylinder<br>Lift Cylinder<br>Hubzylinder<br>Vérin de levage  |
| <i>Edition: 2010-10-13</i> | Elsystem<br>Electrical System<br>Elektrische Anlage<br>Système Électrique                                |
| <i>Edition: 2008-10-03</i> | Fart- och bromssystem<br>Drive and Brake system<br>Fahr- und Bremsesystem<br>Système Vitesse Et Freinage |
| <i>Edition: 2010-09-01</i> | Övrigt<br>Miscellaneous<br>Sonstiges<br>Divers   |

CLICK HERE TO **DOWNLOAD** THE COMPLETE MANUAL

- Thank you very much for reading the preview of the manual.
- You can download the complete manual from: [www.heydownloads.com](http://www.heydownloads.com) by clicking the link below



- Please note: If there is no response to CLICKING the link, please download this PDF first and then click on it.

CLICK HERE TO **DOWNLOAD** THE COMPLETE MANUAL

**Chassi A-Ergo - Chassis A-Ergo**  
**Rahmentteile A-Ergo - Chassis A-Ergo**

| Pos. | Beskrivning                             | Designation        | Bezeichnung   | Dénomination         | Qty | Part No. |
|------|---|--------------------|---------------|----------------------|-----|----------|
| 38   | Batteri Axel<br><i>Senior</i>           | Battery axle       | Achse         | Axe                  | 2   | 104250   |
| 41   | Plastnit (plexi)                        | Rivet              | Niet          | Rivet                | 4   | 104174   |
| 42   | Ändavslutning                           | End socket         | Endhülse      | Douille d'extrémité  | 2   | 103401   |
| 43   | Plastpropp                              | Plastic plug       | Propfen       | Bouchon              | 9   | 001425   |
| 44   | Fingerskydd<br><i>Cold store design</i> | Finger prot. plate | Fingerschutz  | Protect. de doigt    | 1   | 104579   |
|      | Fingerskydd                             | Finger prot. plate | Fingerschutz  | Protect. de doigt    | 1   | 104832   |
| 45   | Skruv MC6S M6x12                        | Screw MC6S M6x12   | Schraube      | Vis                  | 2   | 010576   |
| 46   | Plastnit (plexi)                        | Rivet              | Niet          | Rivet                | 4   | 104174   |
| 47   | Fästskena, fingerskydd                  | Anchor rail        | Aufhängung    | Support d'accrochage | 2   | 104172   |
| 48   | Fjäderbricka FBB 6.1                    | Spring washer      | Federring     | Rondelle grower      | 4   | 012271   |
| 49   | Skruv MC6S M8x35                        | Screw MC6S M8x35   | Schraube      | Vis                  | 2   | 010641   |
| 50   | Distans                                 | Spacer             | Abstandhalter | Entretoise           | 2   | 104183   |

**Maskinskyt A-Ergo - Machine plate A-Ergo**  
**Maschinenschild A-Ergo - Identificat. de mach. A-Ergo**

| Pos. | Beskrivning   | Designation             | Bezeichnung            | Dénomination              | Qty | Part No. |
|------|---|-------------------------|------------------------|---------------------------|-----|----------|
| 1    | Maskinskyt<br>-06w36, USA                               | Machine Plate           | Typenschild            | Identificat. de mach.     | 1   | 059030   |
| 2    | Maskinskyt, CE<br>-06w36                                | Machine Plate, CE,Steel | Typenschild, CE, Blech | Identificat. de mach., CE | 1   | 060203   |
|      | Maskinskyt<br>-06w36, Rus                               | Machine Plate           | Typenschild            | Identificat. de mach.     | 1   | 060214   |
|      | Maskinskyt<br>-06w36, Italy, Portugal, Spain            | Machine Plate           | Typenschild            | Identificat. de mach.     | 1   | 122155   |
| 3    | Maskinskyt<br>-06w36. Adjust.strad.legs                 | Machine plate           | Typenschild            | Identificat. de mach.     | 1   | 039900   |
| 4    | Maskinskyt<br>-06w36                                    | Machine plate           | Maschinenschild        | Identificat. de machine   | 1   | 078655   |
|      | Maskinskyt<br>-06w36. Italy, Portugal, Spain            | Machine plate           | Maschinenschild        | Identificat. de machine   | 1   | 122157   |
| 5    | Maskinskyt<br>-06w36. Rus                               | Machine plate           | Maschinenschild        | Identificat. de machine   | 1   | 078915   |
|      | Maskinskyt<br>-06w36. USA                               | Machine plate           | Maschinenschild        | Identificat. de machine   | 1   | 100842   |
| 6    | Maskinskyt, h. stödb.<br>06w37-, EU, adjust.strad.legs  | M. plate, adj str legs  | Typenschild            | Identificat. de mach.     | 1   | 104892   |
|      | Maskinskyt, h. stödb.<br>06w37-, USA, adjust.strad.legs | M. plate, adj str legs  | Typenschild            | Identificat. de mach.     | 1   | 104893   |
| 7    | M.skyt, lastfrigivning<br>06w37-, EU                    | M. plate, load deration | Typenschild            | Identificat. de mach.     | 1   | 104890   |
|      | M.skyt, lastfrigivning<br>06w37-, USA                   | M. plate, load deration | Typenschild            | Identificat. de mach.     | 1   | 104891   |
| 8    | Maskinskyt, mast<br>06w37- Eng                          | Machine plate, mast     | Typenschild, mast      | Ident. de mach., mât      | 1   | 104882   |
|      | Maskinskyt, mast<br>06w37- Ger/Eng                      | Machine plate, mast     | Typenschild, mast      | Ident. de mach., mât      | 1   | 104883   |
|      | Maskinskyt, mast<br>06w37- Spa/Eng                      | Machine plate, mast     | Typenschild, mast      | Ident. de mach., mât      | 1   | 104884   |
|      | Maskinskyt, mast<br>06w37- Rus/Eng                      | Machine plate, mast     | Typenschild, mast      | Ident. de mach., mât      | 1   | 104885   |
|      | Maskinskyt, mast<br>06w37- Por/Eng                      | Machine plate, mast     | Typenschild, mast      | Ident. de mach., mât      | 1   | 104886   |
|      | Maskinskyt, mast<br>06w37- Ita/Eng                      | Machine plate, mast     | Typenschild, mast      | Ident. de mach., mât      | 1   | 104887   |
|      | Maskinskyt, mast<br>06w37- USA                          | Machine plate, mast     | Typenschild, mast      | Ident. de mach., mât      | 1   | 104888   |
|      | Maskinskyt, mast<br>06w37- Fra/Eng                      | Machine plate, mast     | Typenschild, mast      | Ident. de mach., mât      | 1   | 104889   |
|      | Maskinskyt, mast<br>09w36- Swe/Eng                      | Machine plate, mast     | Maschinenschild, mast  | Identificat.de mach, mât  | 1   | 114475   |
|      | Maskinskyt, mast<br>09w36- Pol/Eng                      | -Machine plate, mast    | Maschinenschild, mast  | Identificat.de mach, mât  | 1   | 114498   |
| 9    | Maskinskyt, mast<br>09w36- Grc/Eng                      | -Machine plate, mast    | Maschinenschild, mast  | Identificat.de mach, mât  | 1   | 114499   |

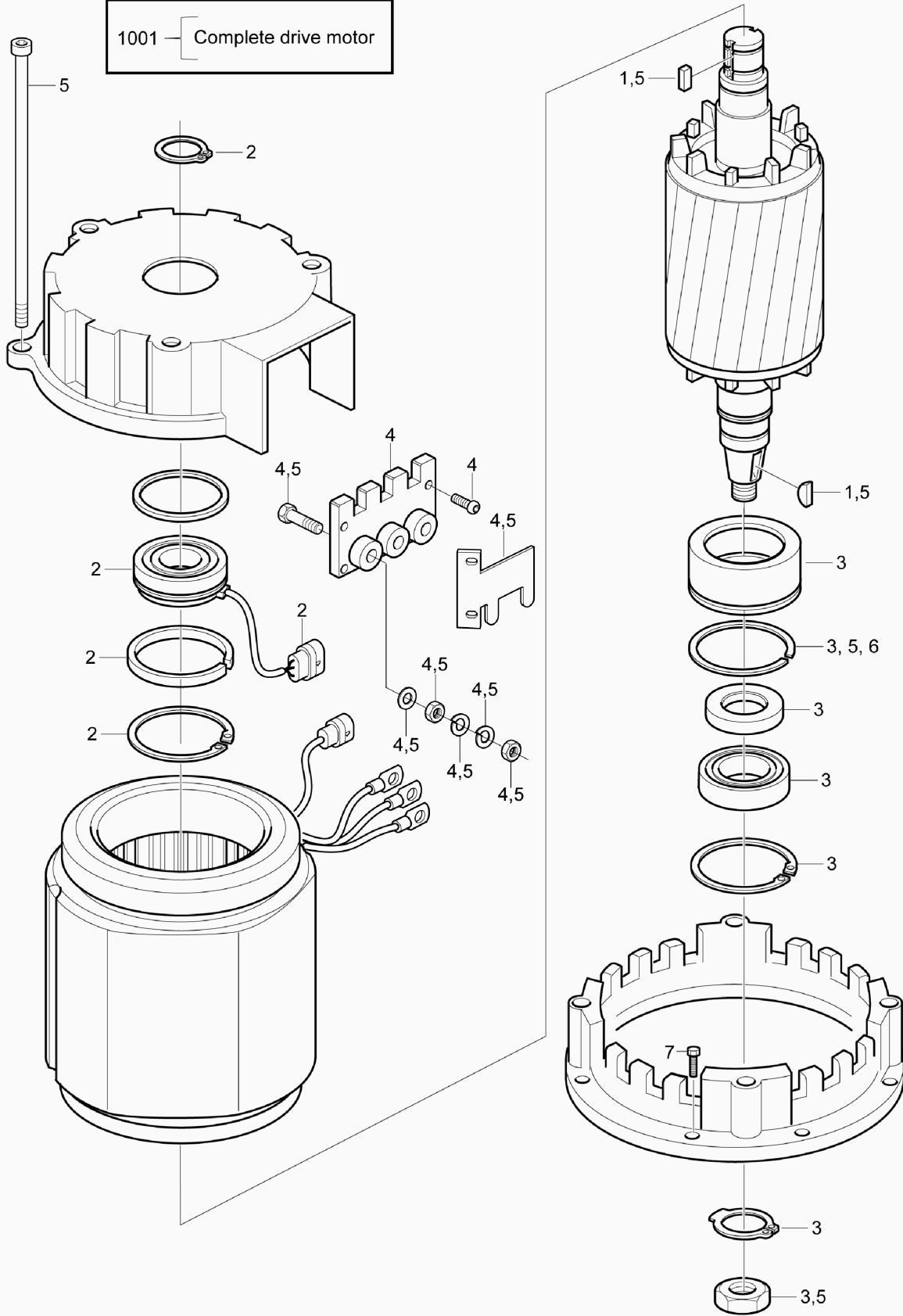
## Fotplåt A-Ergo - Foot plate A-Ergo

## Fussplatte A-Ergo - Plaq de marche-pied A-Ergo

| Pos. | Beskrivning       | Designation      | Bezeichnung       | Dénomination         | Qty | Part No. |
|------|-------------------|------------------|-------------------|----------------------|-----|----------|
| 1    | Golvmatta         | Rubber mat       | Gummimatte        | Tapis caoutchouc     | 1   | 104154   |
| 2    | Golvplåt          | Floor            | Bodenblech        | Plancher             | 1   | 104020   |
| 3    | Platt bricka      | Flat washer      | Planscheibe       | Rondelle plate       | 4   | 012371   |
| 4    | Skruv MC6S M6x12  | Screw MC6S M6x12 | Schraube          | Vis                  | 4   | 010576   |
| 5    | Vibrationsdämpare | Shock absorber   | Vibrationsdämpfer | Amort. de vibrations | 6   | 100318   |

A-Ergo\_050300\_2004w37-\_2010B

1001 — Complete drive motor



**Mast/Stödben A-Ergo 160 TV - Mast/Straddle legs A-Ergo 160 TV**

**Mast/radarme A-Ergo 160 TV - Mât/longerons A-Ergo 160 TV**

| Pos. | Beskrivning                                      | Designation      | Bezeichnung | Dénomination   | Qty | Part No. |
|------|--|------------------|-------------|----------------|-----|----------|
| 52   | Skruv MC6S M6x20<br><i>Junior and H4&lt;3600</i> | Screw MC6S M6x20 | Schraube    | Vis            | 2   | 010583   |
| 53   | Planbricka<br><i>Junior and H4&lt;3600</i>       | Plain washer     | Planscheibe | Rondelle plate | 8   | 012371   |

**Mast/Stödben A-Ergo 200 TFV - Mast/Straddle legs A-Ergo 200 TFV**  
**Mast/radarme A-Ergo 200 TFV - Mât/longerons A-Ergo 200 TFV**

| Pos. | Beskrivning                                       | Designation               | Bezeichnung               | Dénomination             | Qty | Part No. |
|------|---|---------------------------|---------------------------|--------------------------|-----|----------|
| 1    | Yttermast + stödben<br><i>200 STFV</i>            | Outer mast + str. legs    | Auss. mast + radarme      | Mât ext. + longerons     | 1   | 105864   |
|      | Yttermast + stödben<br><i>200 BTFV</i>            | Outer mast + str. legs    | Auss. mast + radarme      | Mât ext. + longerons     | 1   | 105866   |
| 2    | Innermast   | Inner mast                | Innenmast                 | Mât intérieur            | 1   | 105868   |
| 9    | Smörjnippel                                       | Lubricator                | Schmiernippel             | Graisseur                | 4   | 008953   |
| 10   | Distansbricka 1mm                                 | Spacer ring 1mm           | Distanzring 1mm           | Rondel.décartement 1mm   | 14  | 105469   |
|      | Distansbricka 0.5mm                               | Spacer ring 0.5mm         | Distanzring 0.5mm         | Rondel.décartement 0.5mm | 4   | 105470   |
| 11   | Lastrulle Ø108.0                                  | Load roller Ø108.0        | Lastrolle Ø108.0          | Poulie de charge Ø108.0  | 4   | 105318   |
|      | Lastrulle Ø108.5, utgått                          | Load rollerØ108.5 expired | Lastrolle Ø108.5 abgelau. | Poulie cha.Ø108.5, exp.  | 4   | 105319   |
|      | Lastrulle Ø107.0                                  | Load roller Ø107.0        | Lastrolle Ø107.0          | Poulie de charge Ø107.0  | 4   | 105328   |
|      | Lastrulle Ø107.5                                  | Load roller Ø107.5        | Lastrolle Ø107.5          | Poulie de charge Ø107.5  | 4   | 105329   |
| 12   | <i>See section 9</i>                              |                           |                           |                          | 1   |          |
| 13   | Skruv MC6S M12x70                                 | Screw MC6S M12x70         | Schraube                  | Vis                      | 2   | 010777   |
| 14   | Fjäderbricka                                      | Spring washer             | Federring                 | Rondelle grower          | 4   | 012283   |
| 15   | Låsmutter M6M12                                   | Locking nut               | Mutter                    | Ecrou de blocage         | 2   | 012167   |
| 16   | Bricka, sfärisk                                   | Washer, spherical         | Scheibe                   | Rondelle                 | 2   | 001452   |
| 17   | Bricka, sfärisk                                   | Washer, spherical         | Scheibe                   | Rondelle                 | 2   | 001453   |
| 20   | Skruv MC6S M8x25                                  | Screw MC6S M8x25          | Schraube                  | Vis                      | 2   | 010636   |
| 23   | Dämpare   | Damper                    | Dämpfer                   | Modérateur               | 1   | 060215   |
| 27   | Spännstift FRP 6x50                               | Roll pin FRP 6x50         | Spannstift FRP 6x50       | Goupille FRP 6x50        | 2   | 012945   |
| 28   | Axel  | Axle                      | Achse                     | Axe                      | 2   | 055343   |
| 30   | Boggiehjul, kompl.<br><i>Including pos. 30-35</i> | Bogie wh. assmby.         | Boggierad kompl.          | Roue de bogg. compl.     | 2   | 075145   |
|      | Boggiagaffel                                      | Bogie frame               | Boggiarahmen              | Cadre de bogie           | 2   | 075146   |
| 31   | Axel  | Axle                      | Achse                     | Axe                      | 4   | 075839   |
| 32   | Smörjnippel                                       | Lubricator                | Schmiernippel             | Graisseur                | 2   | 008953   |
| 33   | Fj.rörpinne FRP 5x40                              | Roll pin FRP 5x40         | Spannstift FRP 5x40       | Goupille FRP 5x40        | 4   | 012923   |
| 34   | Glidlager   | Slide bearing             | Gleitlager                | Coussinet lisse          | 4   | 008516   |
| 35   | Vulkollanhjul, kpl                                | Vulkollan wheel, cpl      | Vulkollan rad, kpl        | Roue Vulkollan, cpl      | 4   | 060734   |
| 38   | Lasthjul<br><i>Including pos. 39</i>              | Rail wheel                | Lastrad                   | Roue portante            | 2   | 056821   |
|      | Hjul, kompl.<br><i>Not greaseable</i>             | Wheel, assy.              | Rad, kompl.               | Roue, compl.             | 4   | 060477   |
|      | Vulkollanhjul                                     | Vulkollan wheel           | Vulkollan Rad             | Roue vulkollan           | 2   | 075133   |
| 39   | Kullager  | Roller bearing            | Kugellager                | Roulement à billes       | 4   | 008010   |
| 40   | Distanselement                                    | Spacer                    | Distanzring               | Douille d'écartement     | 4   | 053958   |
| 41   | Fjäderbricka FBB                                  | Spring washer             | Federring                 | Rondelle grower          | 2   | 012279   |
| 42   | Klämma  | Clamp                     | Klammer                   | Bride                    | 1   | 059286   |
| 43   | Distans<br><i>(-06w22)</i>                        | Spacer                    | Abstandhalter             | Entretoise               | 1   | 105501   |
|      | Distans<br><i>(06w23-)</i>                        | Spacer                    | Abstandhalter             | Entretoise               | 1   | 106726   |
| 44   | Skruv MC6S M10x50                                 | Screw MC6S M10x50         | Schraube                  | Vis                      | 2   | 010705   |
| 45   | Kåpa<br><i>Junior and H4&lt;3600</i>              | Cover                     | Deckel                    | Carter                   | 1   | 104738   |

**Mast/Stödben ATF-Ergo 100 TFV - Mast/Straddle legs ATF-Ergo 100 TFV**  
**Mast/radarme ATF-Ergo 100 TFV - Mât/longerons ATF-Ergo 100 TFV**

| Pos. | Beskrivning                                      | Designation      | Bezeichnung | Dénomination   | Qty | Part No. |
|------|--|------------------|-------------|----------------|-----|----------|
| 45   | Kåpa<br><i>Junior and H4&lt;3600</i>             | Cover            | Deckel      | Carter         | 1   | 104738   |
| 46   | Skruv MC6S M6x20<br><i>Junior and H4&lt;3600</i> | Screw MC6S M6x20 | Schraube    | Vis            | 2   | 010583   |
| 47   | Planbricka<br><i>Junior and H4&lt;3600</i>       | Plain washer     | Planscheibe | Rondelle plate | 8   | 012371   |

**Stabilisatorer A-Ergo - Stabilizors A-Ergo**  
**Stabilisatoren A-Ergo - Stabilisateurs A-Ergo**

| Pos. | Beskrivning  | Designation              | Bezeichnung            | Dénomination             | Qty | Part No. |
|------|--|--------------------------|------------------------|--------------------------|-----|----------|
| 1    | Stabilisatorarm                                      | Stabilisator arm         | Stabilisatorarm        | Bras de stabilisateur    | 2   | 106388   |
| 2    | Axel   | Axle                     | Achse                  | Axe                      | 2   | 106392   |
| 3    | Spårring SGA 20                                      | Circlip                  | Nutring                | Circlip                  | 2   | 012642   |
| 4    | Bricka SRB 21x36x3                                   | Washer SRB 21x36x3       | Scheibe SRB 21x36x3    | Rondelle SRB 21x36x3     | 8   | 012416   |
| 5    | Dämpare  | Damper                   | Dämpfer                | Modérateur               | 2   | 001385   |
| 6    | Länkhjulsbygel                                       | Castor fork              | Radträger              | Sup. roue directrice     | 2   | 106383   |
| 7    | Fj.rörpinne FRP 5x40                                 | Roll pin FRP 5x40        | Spannstift FRP 5x40    | Goupille FRP 5x40        | 4   | 012923   |
| 8    | Axel   | Axle                     | Achse                  | Axe                      | 2   | 057710   |
| 9    | Hjul, nylon  | Wheel, nylon             | Rad, nylon             | Roue, nylon              | 2   | 106391   |
| 10   | Distans  | Spacer                   | Abstandhalter          | Entretoise               | 2   | 100077   |
| 11   | Skruv M6S 20x55                                      | Screw M6S 20x55          | Schraube               | Vis                      | 2   | 010365   |
| 12   | Stabilisatorcylinder                                 | Stabilizer cylinder      | Stabilisatorzylinder   | Cylindre de stabil.      | 2   | 106395   |
| 13   | Bult HCB 12x55                                       | Bolt                     | Bolzen                 | Boulon                   | 2   | 013490   |
| 14   | Saxpinne   | Split pin                | Splint                 | Goupille fendue          | 2   | 013136   |
| 15   | Bussning   | Bushing                  | Buchse                 | Douille                  | 4   | 100042   |
| 16   | Bussning   | Bushing                  | Buchse                 | Douille                  | 4   | 100043   |
| 17   | Gränslägesbr. m kabl.<br>-2004w14                    | Limit switch incl. cabel | Endshalter inkl. kabel | Interrupteur, voir câble | 2   | 100793   |
|      | Gränslägesbr. m kabl.<br>-2008w45. Cold store design | Limit switch incl. cabel | Endshalter inkl. kabel | Interrupteur, voir câble | 2   | 104152   |
|      | Gränslägesbr. m kabl.<br>2004w15-2008w45             | Limit switch incl. cabel | Endshalter inkl. kabel | Interrupteur, voir câble | 2   | 104739   |
| 18   | Skruv MCS M4x16 -4.8<br>-2008w45                     | Screw MCS M4x16 -4.8     | Schraube               | Vis                      | 4   | 011296   |
| 19   | Fäste, mikrobrytare<br>-2008w45                      | Holder, micro switch     | Halter                 | Attache                  | 1   | 100799   |
| 20   | Skruv MF6S 6x8<br>-2008w45                           | Screw MF6S 6x8           | Schraube               | Vis                      | 4   | 010980   |
| 21   | Induktiv givare                                      | Inductive sensor         | Induktivgeber          | Capteur par induction    | 2   | 104793   |
| 22   | Hållare  | Bracket                  | Konsole                | Support                  | 2   | 104847   |
| 23   | Skruv M6S 6x10                                       | Screw M6S 6x10           | Schraube               | Vis                      | 4   | 010087   |
| 24   | Skruv MCS 4x12                                       | Screw Mc6s 4x12          | Schraube               | Vis                      | 4   | 011292   |
| 25   | Fjäderhus  | Spring housing           | Federgehäuse           | Carter de ressort        | 1   | 106386   |
| 26   | Tryckfjäder  | Push spring              | Federhebel             | Levier élastique         | 1   | 106491   |

**Gaffelvagn A-Ergo 200 BTFV - Fork carriage A-Ergo 200 BTFV**  
**Gabelschlitten A-Ergo 200 BTFV - Chariot de levage A-Ergo 200 BTFV**

| Pos. | Beskrivning          | Designation        | Bezeichnung            | Dénomination              | Qty | Part No. |
|------|----------------------|--------------------|------------------------|---------------------------|-----|----------|
| 1    | Gaffel               | Fork               | Gabel                  | Fourche                   | 2   | 066038   |
| 2    | Låsanordning, kpl    | Locking dev. assy. | Verschluss kompl.      | Verrouillage, cpl.        | 2   | 071955   |
| 3    | Shim, 1mm            | Shim, 1mm          | Einstellscheibe, 1mm   | Cale de réglage, 1mm      | 2   | 068486   |
|      | Shim, 1.5mm          | Shim, 1.5mm        | Einstellscheibe, 1.5mm | Cale de réglage, 1.5mm    | 2   | 068487   |
| 4    | Gaffelvagn<br>BTFV   | Fork carriage      | Schlitten              | Tablier de fourches       | 1   | 105964   |
| 5    | Klämskydd            | Protective plate   | Schutzblech            | Protection                | 2   | 105976   |
| 6    | Skruv MFX-TT 6x16    | Screw MFX-TT 6x16  | Schraube               | Vis                       | 4   | 014785   |
| 10   | <i>See section 9</i> |                    |                        |                           | 1   |          |
| 11   | Bricka BRB           | Washer             | Scheibe                | Rondelle                  | 2   | 012375   |
| 12   | Saxpinnebult         | Split pin bolt     | Splintbolzen           | Axe à tête                | 1   | 066077   |
| 13   | Saxpinne SP          | Split pin          | Splint                 | Goupille fendue           | 2   | 013117   |
| 14   | Lastrulle Ø78.2      | Load roller Ø78.2  | Lastrolle Ø78.2        | Poulie de charge Ø78.2    | 4   | 105036   |
|      | Lastrulle Ø78.6      | Load roller Ø78.6  | Lastrolle Ø78.6        | Poulie de charge Ø78.6    | 4   | 105037   |
|      | Lastrulle Ø79.0      | Load roller Ø79.0  | Lastrolle Ø79.0        | Poulie de charge Ø79.0    | 4   | 106086   |
|      | Lastrulle Ø79.4      | Load roller Ø79.4  | Lastrolle Ø79.4        | Poulie de charge Ø79.4    | 4   | 106088   |
| 15   | Distansbricka 1mm    | Spacer ring 1mm    | Distanzring 1mm        | Rondel. décartement 1mm   | 8   | 105032   |
|      | Distansbricka 0.5mm  | Spacer ring 0.5mm  | Distanzring 0.5mm      | Rondel. décartement 0.5mm | 4   | 105280   |
| 16   | Skruv MC6S M10x20    | Screw MC6S M10x20  | Schraube               | Vis                       | 2   | 010691   |
| 17   | Fjäderbricka FBB     | Spring washer      | Federring              | Rondelle grower           | 2   | 012279   |
| 20   | Smörjnippel          | Lubricator         | Schmiernippel          | Graisser                  | 4   | 105287   |

**Gaffelvagn ATF-Ergo 100 TFV/DTFV - Fork carriage ATF-Ergo 100 TFV/DTFV**  
**Gabelschlitten ATF-Ergo 100 TFV/DTFV - Chariot de levage ATF-Ergo 100 TFV/DTFV**

| Pos. | Beskrivning  | Designation    | Bezeichnung       | Dénomination          | Qty | Part No. |
|------|--|----------------|-------------------|-----------------------|-----|----------|
| 70   | Kedjehjul  | Chain wheel    | Kettenzahnrad     | Roue dentée de chaîne | 1   | 060100   |
| 71   | Stoppskruv MP6SS 6x8                               | Locking screw  | Stoppschraube     | Vis d'arrêt           | 3   | 011687   |
| 72   | Shim   | Shim           | Einstellscheibe   | Cale de réglage       | 8   | 085790   |
| 76   | Plattkil 5x5x28                                    | Flat key       | Flachkeil         | Clavette plastique    | 2   | 013596   |
| 80   | Vinkelkont.lager                                   | Ball bearing   | Kugellager        | Roulement à billes    | 2   | 106754   |
| 81   | Låsring  | Retaining ring | Sicherungsring    | Circlip               | 2   | 012744   |
| 82   | Skydd  | Protection     | Gehäuse           | Carter                | 2   | 085141   |
| 83   | Bricka BRB   | Washer         | Scheibe           | Rondelle              | 2   | 012375   |
| 84   | Skruv M6S 8x16                                     | Screw M6S 8x16 | Schraube          | Vis                   | 4   | 010138   |
| 85   | Kedjelås   | Chain Lock     | Kettenschloss     | Verouillage de chaîne | 1   | 008850   |
| 86   | Skyddskoppling<br><i>Including pos. 87-88</i>      | Safety device  | Schützer          | Appareil de prot.     | 1   | 060092   |
| 87   | Nållager   | Needle bearing | Lagernadel        | Roulement aiguille    | 1   | 001477   |
| 88   | Bromsbelägg  | Brake lining   | Bremsbelag        | Garniture de frein    | 2   | 001233   |
| 90   | Kedjehjul  | Chain wheel    | Kettenzahnrad     | Roue dentée de chaîne | 3   | 084731   |
| 91   | Shim   | Shim           | Einstellscheibe   | Cale de réglage       | 1   | 085612   |
| 95   | Axel   | Axle           | Achse             | Axe                   | 1   | 060102   |
|      | Axel<br><i>Cold store design</i>                   | Axle           | Achse             | Axe                   | 1   | 060103   |
| 96   | Rullkedja<br><i>When order please state length</i> | Chain          | Rollenkette       | Chaîne                | 1   | 008852   |
|      | Rullkedja, kmpl<br><i>Including pos. 97</i>        | Chain, cmpl    | Rollenkette, kmpl | Chaîne, cmpl          | 1   | 060109   |
| 97   | Kedjelås   | Chain Lock     | Kettenschloss     | Verouillage de chaîne | 1   | 008850   |

---

*Edition: 2013A*

Mast/Stödben ATF-Ergo 100 TFV 6.7  
Mast/Straddle legs ATF-Ergo 100 TFV  
Mast/radarme ATF-Ergo 100 TFV  
Mât/longerons ATF-Ergo 100 TFV

---

*Edition: 2012B*

Mast/Stödben ATF-Ergo 100 DTFV 6.8  
Mast/Straddle legs ATF-Ergo 100 DTFV  
Mast/radarme ATF-Ergo 100 DTFV  
Mât/longerons ATF-Ergo 100 DTFV

---

*Edition: 2010-10-21*

Mast/Höjbara stödben A-Ergo 160 STH/STVH/STFVH/SDTFVH 6.9  
Mast/Adjustable straddle legs A-Ergo 160 STH/STVH/STFVH/SDTFVH  
Mast/radarme A-Ergo 160 STH/STVH/STFVH/SDTFVH  
Mât/longerons A-Ergo 160 STH/STVH/STFVH/SDTFVH

---

*Edition: 2012B*

Stabilisatorer A-Ergo 6.10  
Stabilizers A-Ergo  
Stabilisatoren A-Ergo  
Stabilisateurs A-Ergo

---

*Edition: 2002B*

Gaffelvagn A-Ergo 160 TV 6.11  
Fork carriage A-Ergo 160 TV  
Gabelschlitten A-Ergo 160 TV  
Chariot de levage A-Ergo 160 TV

---

*Edition: 2002B*

Gaffelvagn A-Ergo 160 ST/STFV/SDTFV 6.12  
Fork carriage A-Ergo 160 ST/STFV/SDTFV  
Gabelschlitten A-Ergo 160 ST/STFV/SDTFV  
Chariot de levage A-Ergo 160 ST/STFV/SDTFV

---

*Edition: 2002B*

Gaffelvagn A-Ergo 160 BT/BTFV/BDTFV 6.13  
Fork carriage A-Ergo 160 BT/BTFV/BDTFV  
Gabelschlitten A-Ergo 160 BT/BTFV/BDTFV  
Chariot de levage A-Ergo 160 BT/BTFV/BDTFV

---

*Edition: 2002B*

Gaffelvagn A-Ergo 200 STFV 6.14  
Fork carriage A-Ergo 200 STFV  
Gabelschlitten A-Ergo 200 STFV  
Chariot de levage A-Ergo 200 STFV

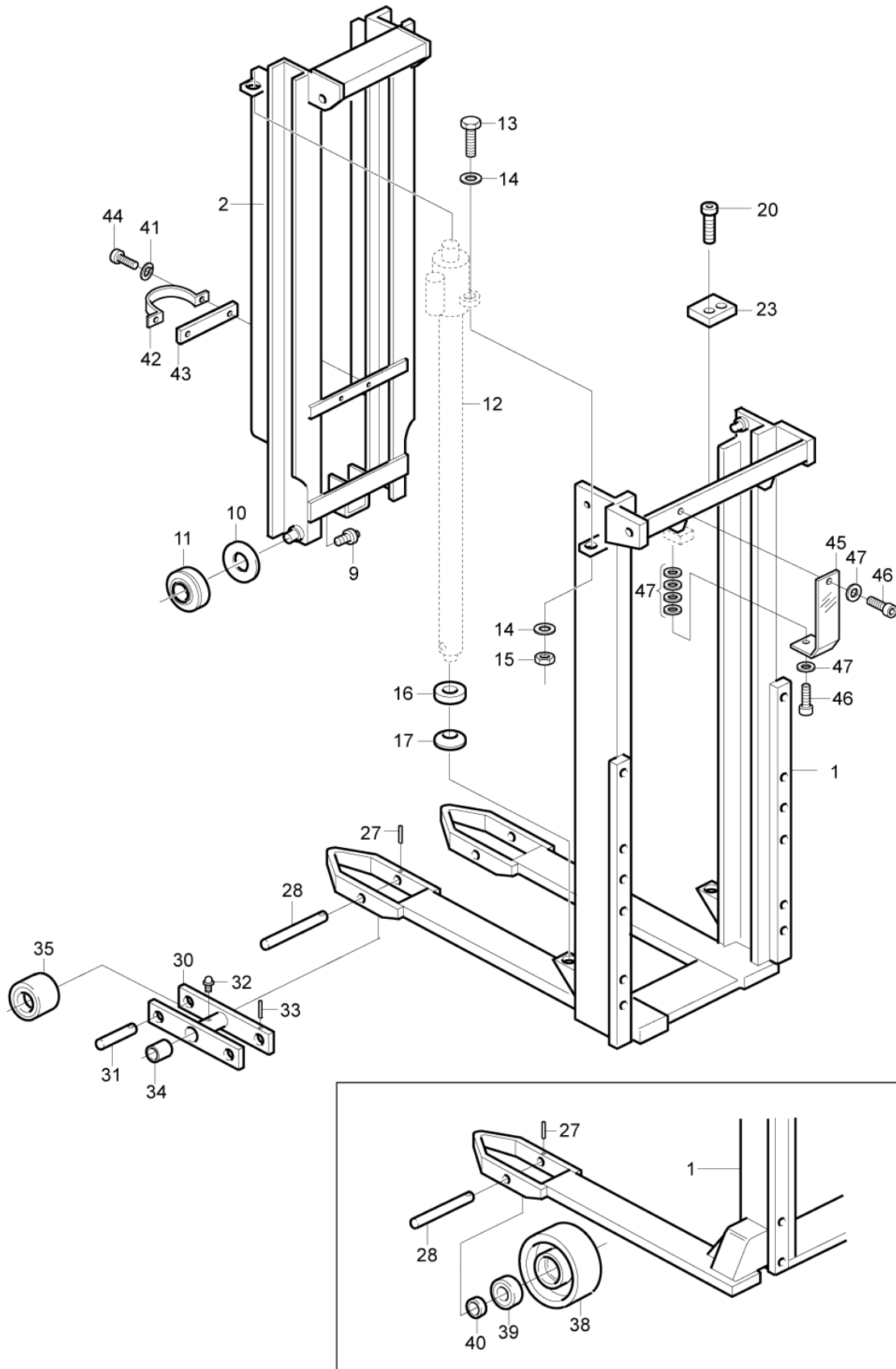
---

*Edition: 2002B*

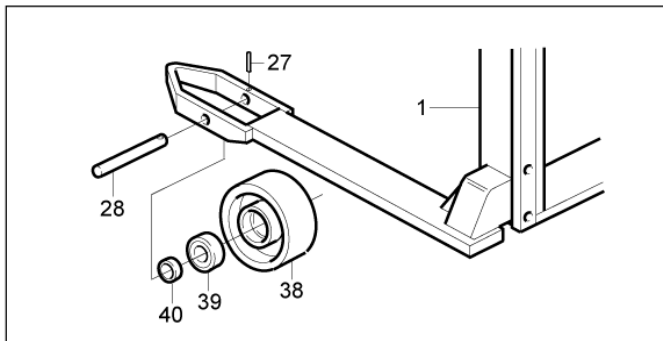
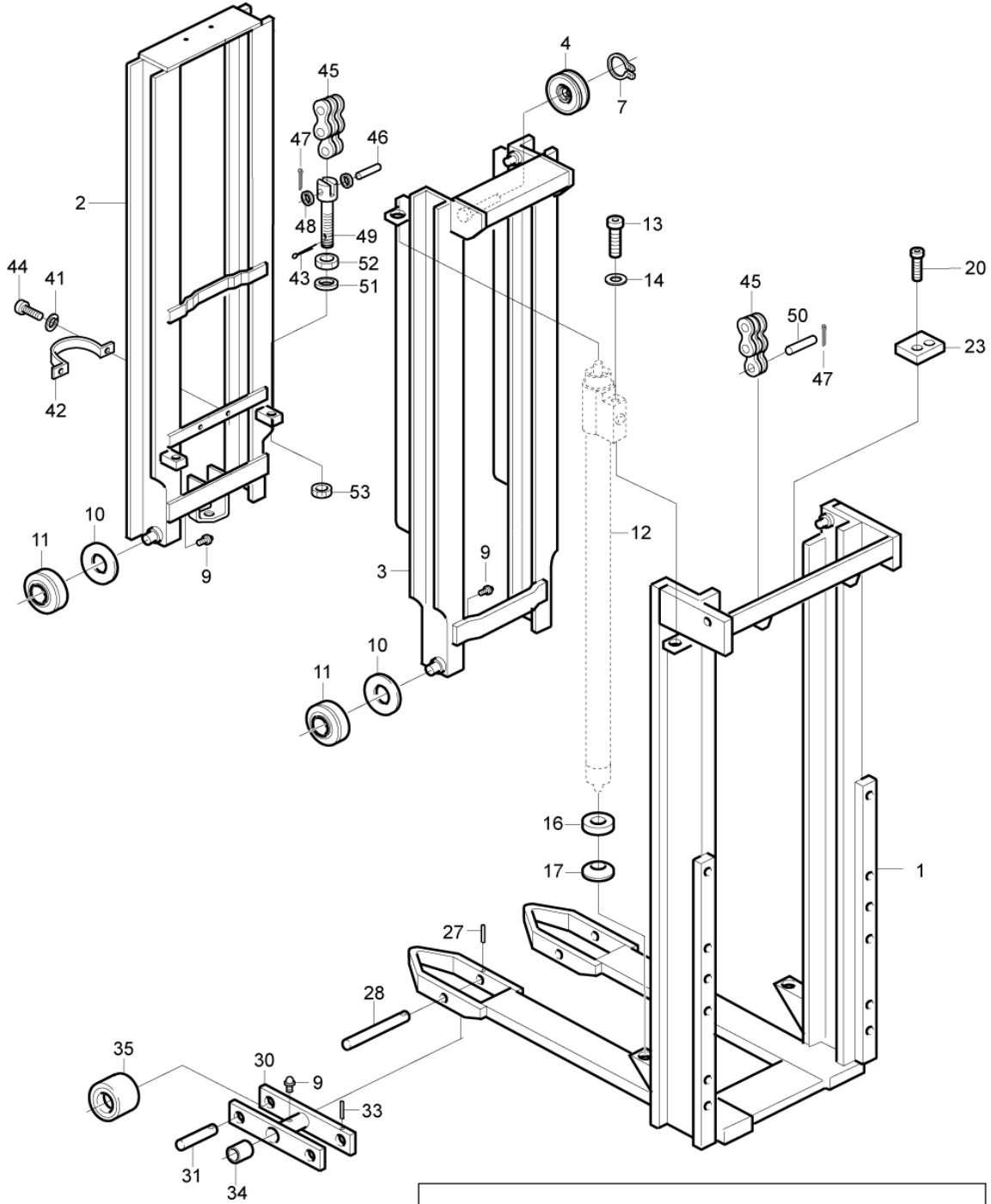
Gaffelvagn A-Ergo 200 BTFV 6.15  
Fork carriage A-Ergo 200 BTFV  
Gabelschlitten A-Ergo 200 BTFV  
Chariot de levage A-Ergo 200 BTFV

---

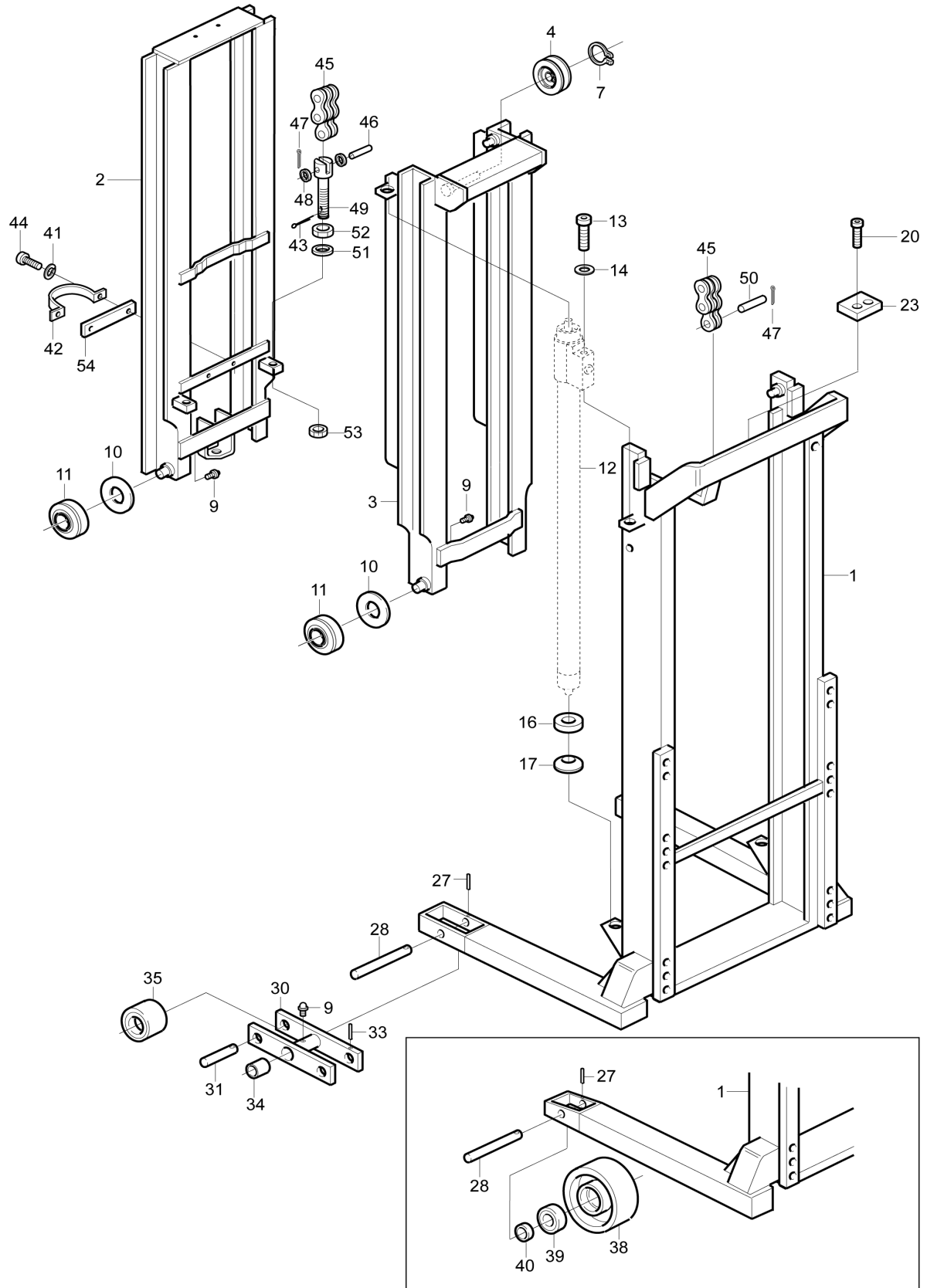
A-Ergo\_060134\_A



A-Ergo\_060121\_A



A-Ergo\_060119\_ATF\_2012B



CLICK HERE TO **DOWNLOAD** THE COMPLETE MANUAL

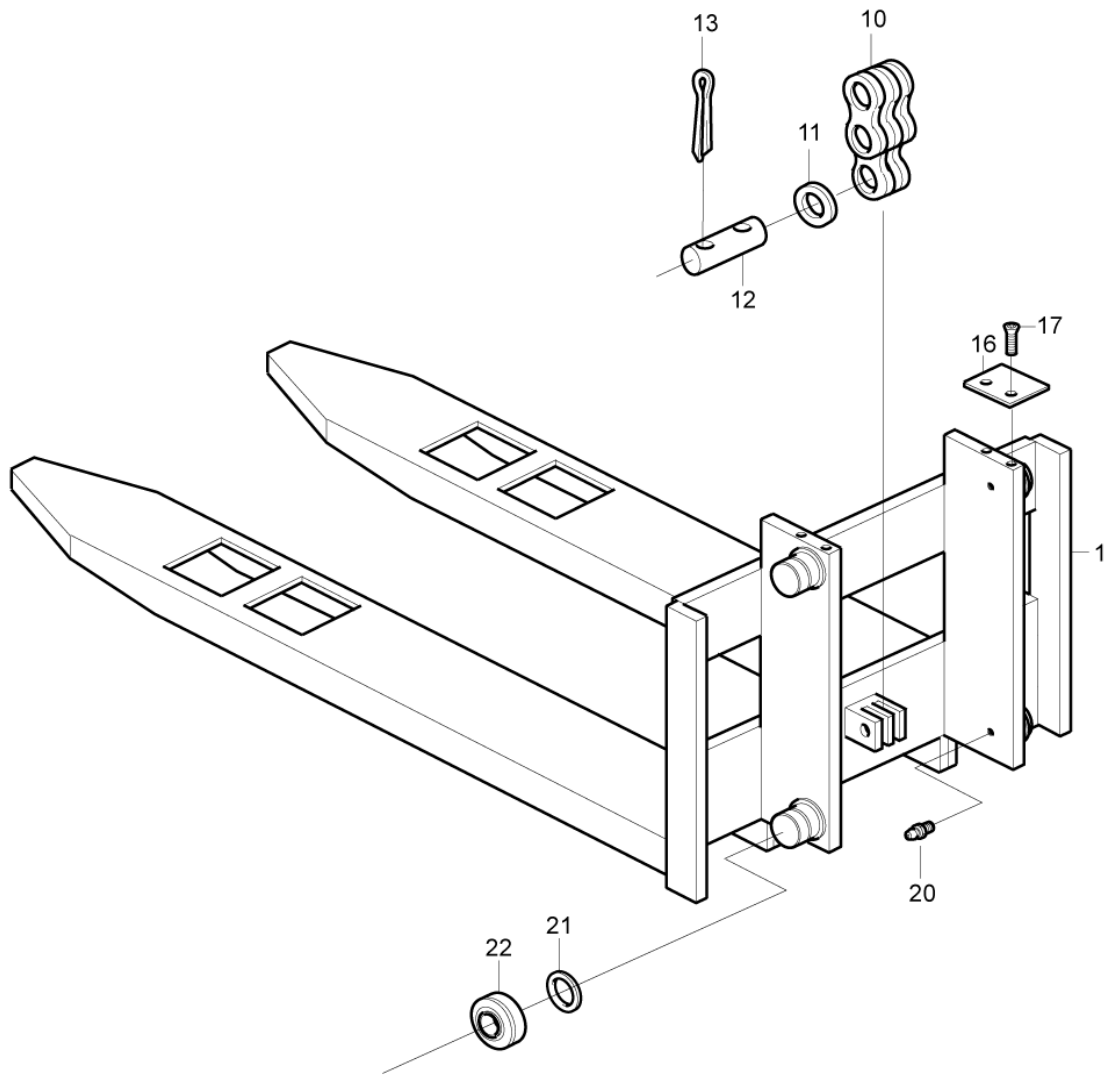
- Thank you very much for reading the preview of the manual.
- You can download the complete manual from: [www.heydownloads.com](http://www.heydownloads.com) by clicking the link below



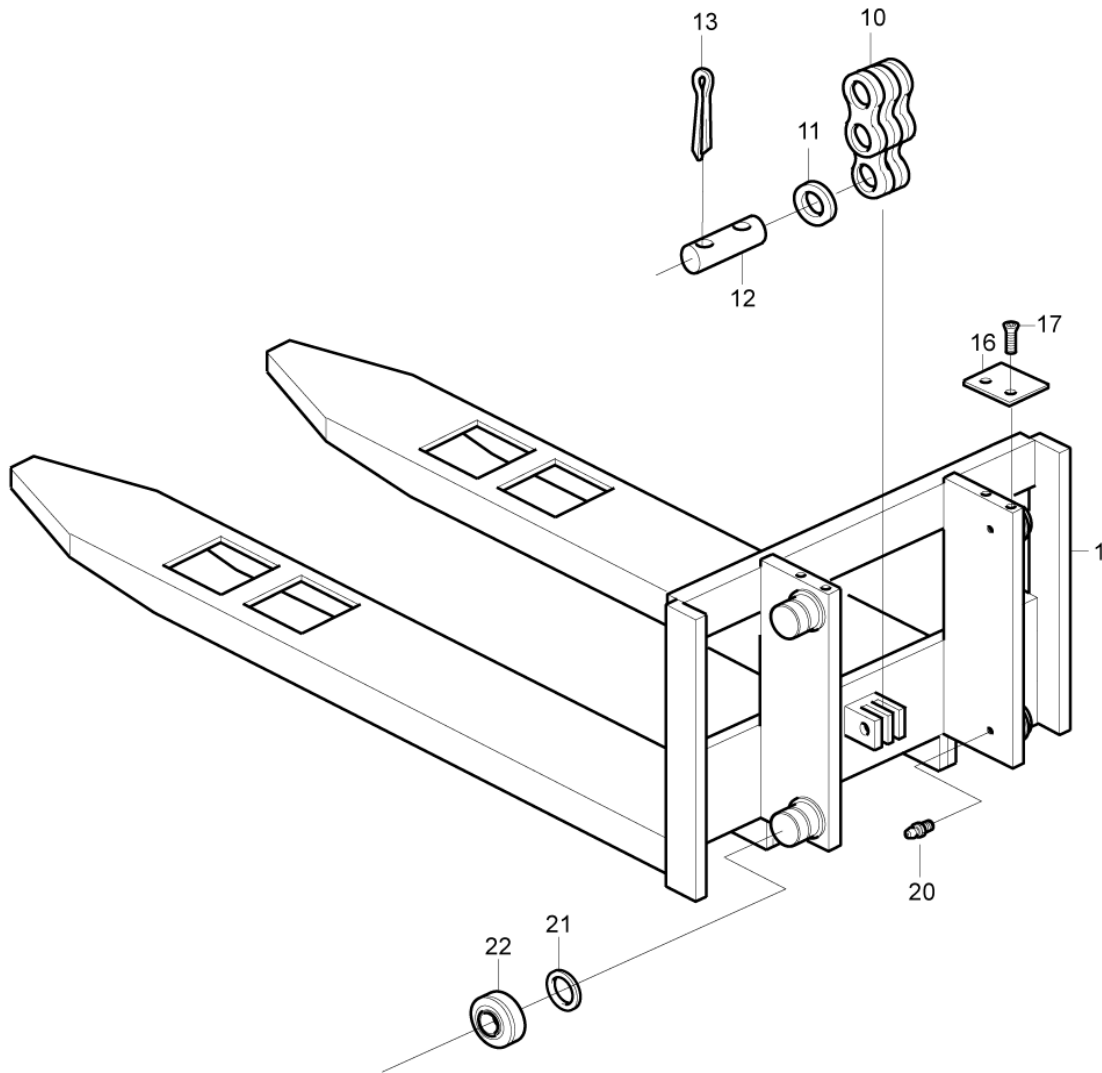
- Please note: If there is no response to CLICKING the link, please download this PDF first and then click on it.

CLICK HERE TO **DOWNLOAD** THE COMPLETE MANUAL

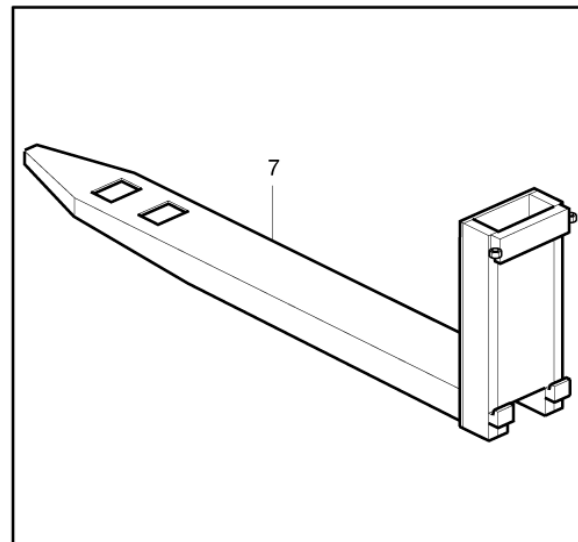
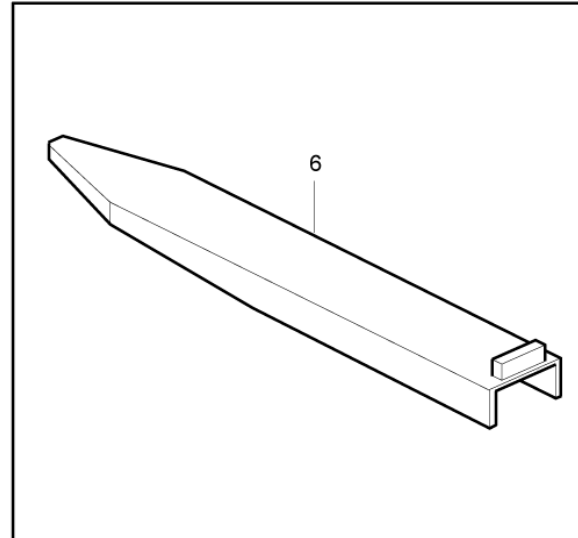
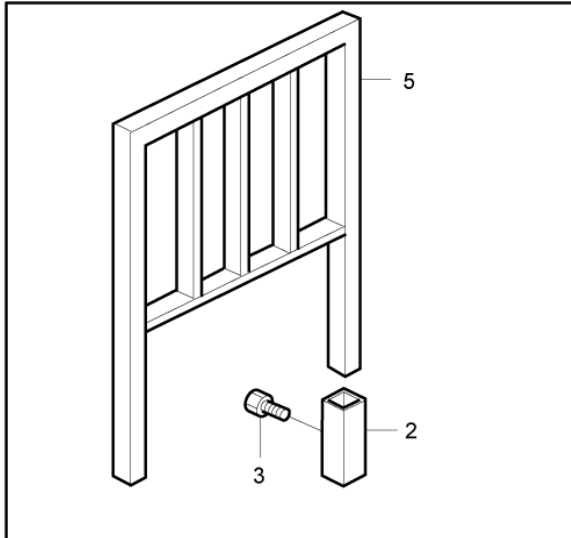
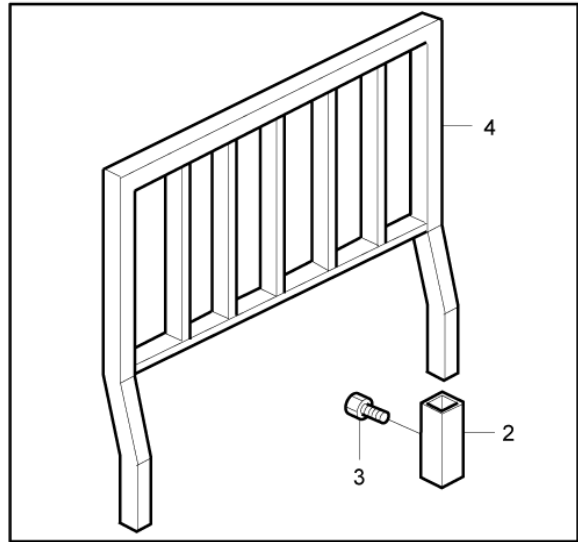
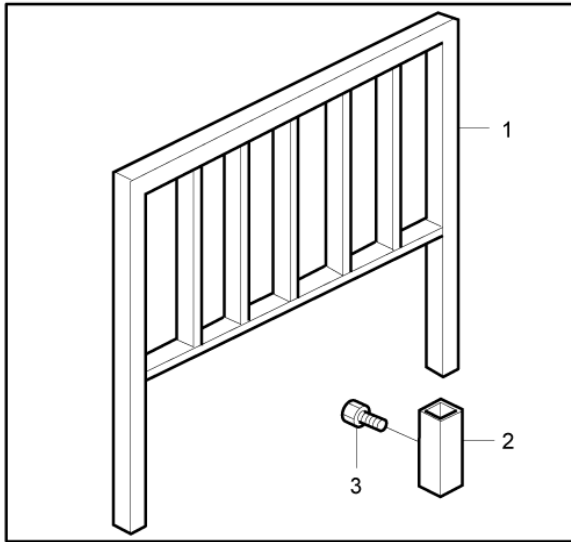
A-Ergo\_060244\_A



A-Ergo\_060227\_A



A-Ergo\_060500\_AATF



---

MASTER MANUAL

Machine A-Ergo

Master Manual 005968

---

## TABLE OF CONTENTS

### Chapter 8

#### HYDRAULSYSTEM - HYDRAULIC SYSTEM HYDRAULANLAGE - UNITÉ HYDRAULIQUE

---

*Edition: 2008-12-01*

|                               |     |
|-------------------------------|-----|
| Proportionalventil A-Ergo     | 8.1 |
| Proportional valve A-Ergo     |     |
| Proportionales ventil A-Ergo  |     |
| Proportionelle soupape A-Ergo |     |

---

*Edition: 2004A*

|                            |     |
|----------------------------|-----|
| Manöverventil A-Ergo       | 8.2 |
| Manual valve A-Ergo        |     |
| Steuerventil A-Ergo        |     |
| Soupape de commande A-Ergo |     |

---

*Edition: 2003A*

|                      |     |
|----------------------|-----|
| Ventilblock A-Ergo   | 8.3 |
| Valve plate A-Ergo   |     |
| Ventilplatte A-Ergo  |     |
| Bloc de valve A-Ergo |     |

---

*Edition: 2012A*

|                            |     |
|----------------------------|-----|
| Hydraulsystem A-Ergo       | 8.4 |
| Hydraulic system A-Ergo    |     |
| Hydraulische anlage A-Ergo |     |
| Unité hydraulique A-Ergo   |     |

---

*Edition: 2010-04-22*

|                              |     |
|------------------------------|-----|
| Hydraulsystem ALL-Ergo       | 8.5 |
| Hydraulic system ALL-Ergo    |     |
| Hydraulische anlage ALL-Ergo |     |
| Unité hydraulique ALL-Ergo   |     |

---

*Edition: 2012A*

|                                      |     |
|--------------------------------------|-----|
| Hydraulsystem, mast A-Ergo 160 TV    | 8.6 |
| Hydraulic system, mast A-Ergo 160 TV |     |
| Hydraulanlage, mast A-Ergo 160 TV    |     |
| Unité hydraulique, mât A-Ergo 160 TV |     |

**Ventilblock A-Ergo - Valve plate A-Ergo**  
**Ventilplatte A-Ergo - Bloc de valve A-Ergo**

| Pos. | Beskrivning  | Designation    | Bezeichnung       | Dénomination        | Qty | Part No. |
|------|--|----------------|-------------------|---------------------|-----|----------|
| 1    | Ventilblock, 2-vägsfunkt.<br><i>Adjustable straddle legs or stabilizers</i>  | Valve plate    | Ventilplatte      | Bloc de valve       | 1   | 104197   |
|      | Ventilblock, 2-vägsfunkt.<br><i>Adjustable straddle legs and stabilizers</i> | Valve plate    | Ventilplatte      | Bloc de valve       | 1   | 104198   |
| 2    | Hydraulslang 1/2"  | Hydraulic hose | Hydraulikschlauch | Tuyau métall.flexib | 1   | 104264   |
| 3    | Koppling GE 15L 3/8"   | Coupling       | Kupplung          | Raccord             | 2   | 009294   |
| 4    | <i>See section 8 "Control valve"</i>   |                |                   |                     | 1   |          |
| 5    | Hydraulslang 1/4"<br><i>Adjustable straddle legs or stabilizers</i>          | Hydraulic hose | Hydraulikschlauch | Tuyau métall.flexib | 1   | 104265   |
|      | Hydraulslang 1/4"<br><i>Adjustable straddle legs and stabilizers</i>         | Hydraulic hose | Hydraulikschlauch | Tuyau métall.flexib | 2   | 104265   |
| 6    | Koppling SWVE 10L 1/4"   | Coupling       | Kupplung          | Raccord             | 2   | 009011   |

**Hydraulsystem, mast A-Ergo 160 TFV - Hydraulic system, mast A-Ergo 160 TFV**  
**Hydrulanlage, mast A-Ergo 160 TFV - Unité hydraulique, mât A-Ergo 160 TFV**

| Pos. | Beskrivning                        | Designation       | Bezeichnung             | Dénomination         | Qty | Part No. |
|------|------------------------------------|-------------------|-------------------------|----------------------|-----|----------|
| 1    | Koppling GE 15L 1/2"               | Coupling, 1/2"    | Kupplung, 1/2"          | Raccord, 1/2"        | 4   | 009000   |
| 2    | Plugg                              | Plug              | Propfen                 | Bouchon              | 2   | 013962   |
| 3    | Gummistålbricka                    | Washer 3/8"       | Scheibe                 | Rondelle             | 2   | 002413   |
| 4    | Fördelningsblock                   | Flowdivider       | Mengenteiler            | Bloc de connection   | 1   | 059846   |
| 5    | Hydraulslang, v                    | Hydraulic hose    | Hydraulikschlauch       | Tuyau métall.flexib. | 1   | 105481   |
| 6    | Koppling EVWO 15L<br>-2003w16      | Coupling          | Kupplung                | Raccord              | 1   | 001756   |
|      | Koppling SWVE 15L 1/2"<br>2003w17- | Coupling          | Kupplung                | Raccord              | 1   | 009012   |
| 7    | Hydraulrör                         | Hydraulic pipe    | Hydraulikrohr           | Tube hydraulique     | 1   | 105510   |
| 8    | Hydraulrör, h                      | Hydraulic pipe    | Hydraulikrohr           | Tube hydraulique     | 1   | 105480   |
| 9    | <i>See section 9</i>               |                   |                         |                      | 1   |          |
| 10   | Hydraulslang                       | Hydraulic hose    | State Hydraulikschlauch | Tuyau métall.flexib. | 1   | 059329   |
| 11   | Slangskena                         | Hose rail         | Schlauchschiene         | Guide de flexible    | 1   | 105509   |
| 12   | Koppling SWVE 15L 1/2"             | Coupling          | Kupplung                | Raccord              | 3   | 009012   |
| 13   | T-koppling                         | T-coupling        | T-verschraubung         | Raccord T            | 1   | 009018   |
| 15   | Sänkbromsventilhus                 | Valve housing     | Ventilgehäuse           | Boîtier de soupape   | 1   | 003347   |
| 16   | Sänkbromsventil                    | Low.speed regulat | Senkautomatik           | Limiteur réglable    | 1   | 003345   |
| 18   | Plastklamma                        | Clamp             | Klammer                 | Bride                | 3   | 003465   |
| 19   | Gummiklamma                        | Rubber clamp      | Gummiklammer            | Bride                | 1   | 014063   |
| 20   | Skruv MC6S M8x55                   | Screw MC6S M8x55  | Schraube                | Vis                  | 1   | 010649   |
| 21   | Fjäderbricka FBB                   | Spring washer Fbb | Federring               | Rondelle grower      | 1   | 012275   |
| 22   | Skruv MC6S M6x12                   | Screw MC6S M6x12  | Schraube                | Vis                  | 2   | 010570   |
| 23   | Fjäderbricka FBB 6.1               | Spring washer     | Federring               | Rondelle grower      | 2   | 012271   |
| 24   | Koppling EVWO 15L                  | Coupling          | Kupplung                | Raccord              | 1   | 001756   |

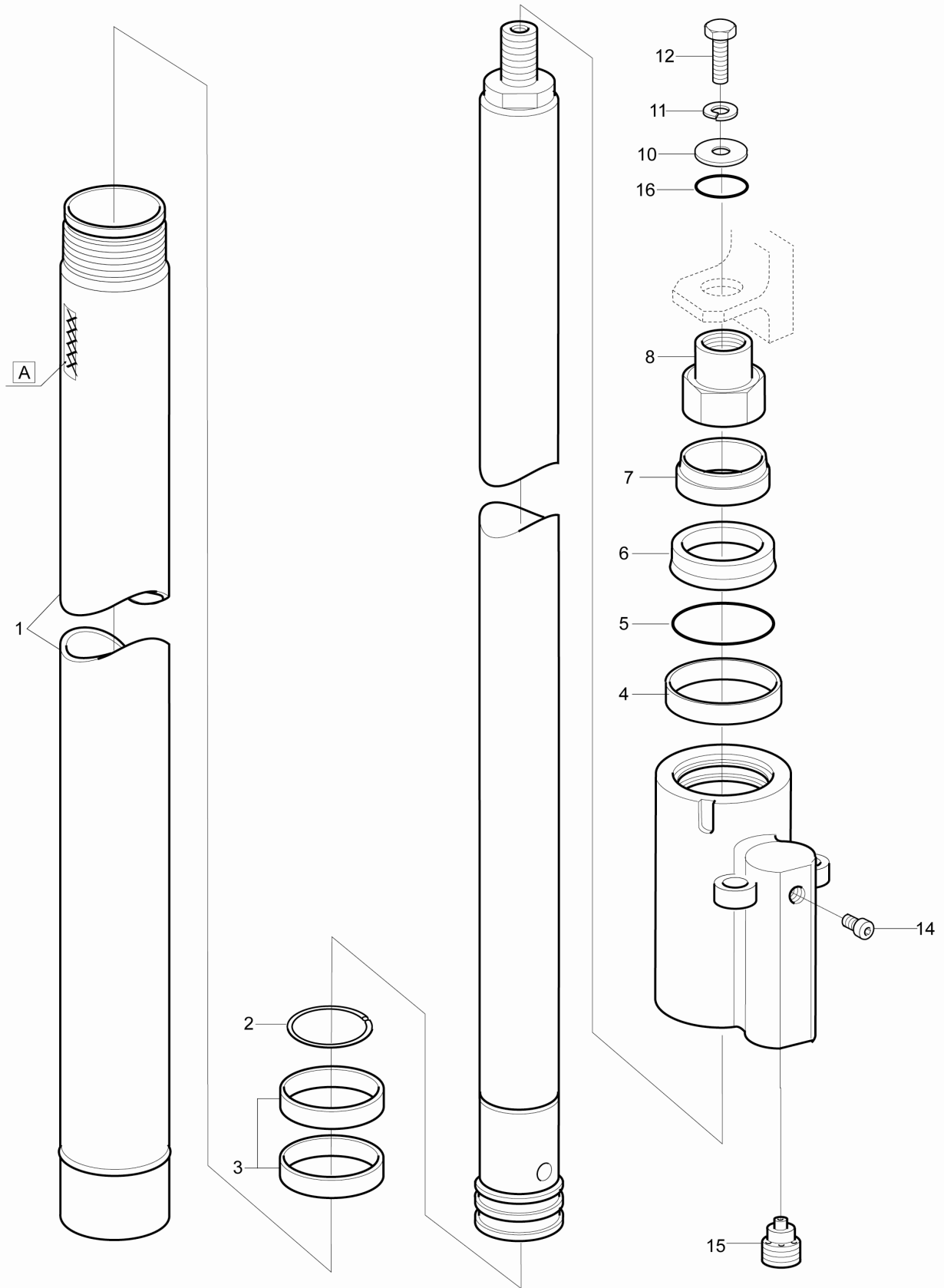
**Hydraulsystem, höjbara stödben/stabilisatorer A-Ergo (2008w46-) - Hydraulic system, adjustable straddle legs/stabilizers A-Ergo (2008w46-)**  
**Hydraulische anlage, verstellb. radarme/stabilisatoren A-Ergo (2008w46-) - Unité hydraulique longerons ajustables/stabilisateurs A-Ergo (2008w46-)**

| Pos. | Beskrivning   | Designation          | Bezeichnung          | Dénomination          | Qty | Part No. |
|------|---|----------------------|----------------------|-----------------------|-----|----------|
| 1    | Hydraulslang<br><i>Adjustable straddle legs</i>                           | Hydraulic hose       |                      |                       | 2   | 058438   |
| 2    | Hydraulslang<br><i>Stabilizers</i>  | Hydraulic hose       | Hydraulikschlauch    | Tuyau métall.flexib   | 2   | 104401   |
| 4    | Hydraulslang 1/4"<br><i>Stabilizers</i>                                   | Hydraulic hose       | Hydraulikschlauch    | Tuyau métall.flexib   | 2   | 104265   |
|      | Hydraulslang 1/4"<br><i>Adjustable straddle legs</i>                      | Hydraulic hose       | Hydraulikschlauch    | Tuyau métall.flexib   | 1   | 104265   |
| 5    | T-koppling, 10L<br><i>Stabilizers</i>                                     | T-coupling           | T-Verschraubung      | Raccord T             | 2   | 009165   |
|      | T-koppling, 10L<br><i>Adjustable straddle legs</i>                        | T-coupling           | T-Verschraubung      | Raccord T             | 1   | 009165   |
| 6    | Koppling SWVE 10L 1/4"<br><i>Adjustable straddle legs</i>                 | Coupling             | Kupplung             | Raccord               | 2   | 009011   |
| 7    | Koppling SWVE 10L 1/4"<br><i>Stabilizers</i>                              | Coupling             | Kupplung             | Raccord               | 4   | 009011   |
| 8    | Slangklamma<br><i>Adjustable straddle legs. Stabilizers</i>               | Hose clamp           | Schlauchklammer      | Collier de serrage    | 4   | 072132   |
| 9    | Hydraulslang<br><i>Stabilizers</i>  | Hydraulic hose       | Hydraulikschlauch    | Tuyau métall.flexib   | 2   | 104389   |
| 10   | Fäste<br><i>Adjustable straddle legs</i>                                  | Holder               | Halter               | Attache               | 1   | 104392   |
| 11   | Rörklammer, Dia23<br><i>Adjustable straddle legs (Diameter 23) 11w14-</i> | clamp, Dia23         |                      |                       | 1   | 104397   |
|      | Klamma<br><i>Adjustable straddle legs (Diameter 25) -11w14</i>            | Clip See 104397      | Klammer              | Bride                 | 1   | 104398   |
| 12   | Hydraulslang<br><i>Adjustable straddle legs</i>                           | Hydraulic hose       |                      |                       | 1   | 104390   |
| 13   |   |                      |                      |                       | 1   |          |
|      | <i>Non spare part. Adjustable straddle legs</i>                           |                      |                      |                       |     |          |
| 14   |   |                      |                      |                       | 1   |          |
|      | <i>Non spare part. Adjustable straddle legs</i>                           |                      |                      |                       |     |          |
| 15   |   |                      |                      |                       | 1   |          |
|      | <i>Adjustable straddle legs. Non spare part</i>                           |                      |                      |                       |     |          |
| 16   | Koppling SWVE 10L 1/4"<br><i>Adjustable straddle legs. T-mast</i>         | Coupling             | Kupplung             | Raccord               | 1   | 009011   |
| 17   | Skarvkoppling<br><i>Adjustable straddle legs. T-mast</i>                  | Pipe coupling        | Rohrverschraub.      | Raccord de tubes      | 1   | 009132   |
| 18   | Hydraulrör<br><i>Adjustable straddle legs. T-mast</i>                     | Hydraulic pipe       | Hydraulikrohr        | Tube hydraulique      | 1   | 104268   |
| 20   | Tryckvakt<br><i>Stabilizers.</i>  | Pressure guard       | Druckwächter         | Contact de pression   | 1   | 104503   |
| 21   | Bricka, gummi/stål<br><i>Stabilizers.</i>                                 | Washer, rubber/steel | Scheibe, Gummi/Stahl | Vis, Caoutchouc/Acier | 1   | 002237   |
| 22   | Adapter 1/8"-1/4"<br><i>Stabilizers.</i>                                  | Adapter              | Adapter              | Adaptateur            | 1   | 104514   |
| 23   | Koppling EVGEO 10L 1/4"<br><i>Stabilizers.</i>                            | Coupling             | Kupplung             | Raccord               | 1   | 009071   |

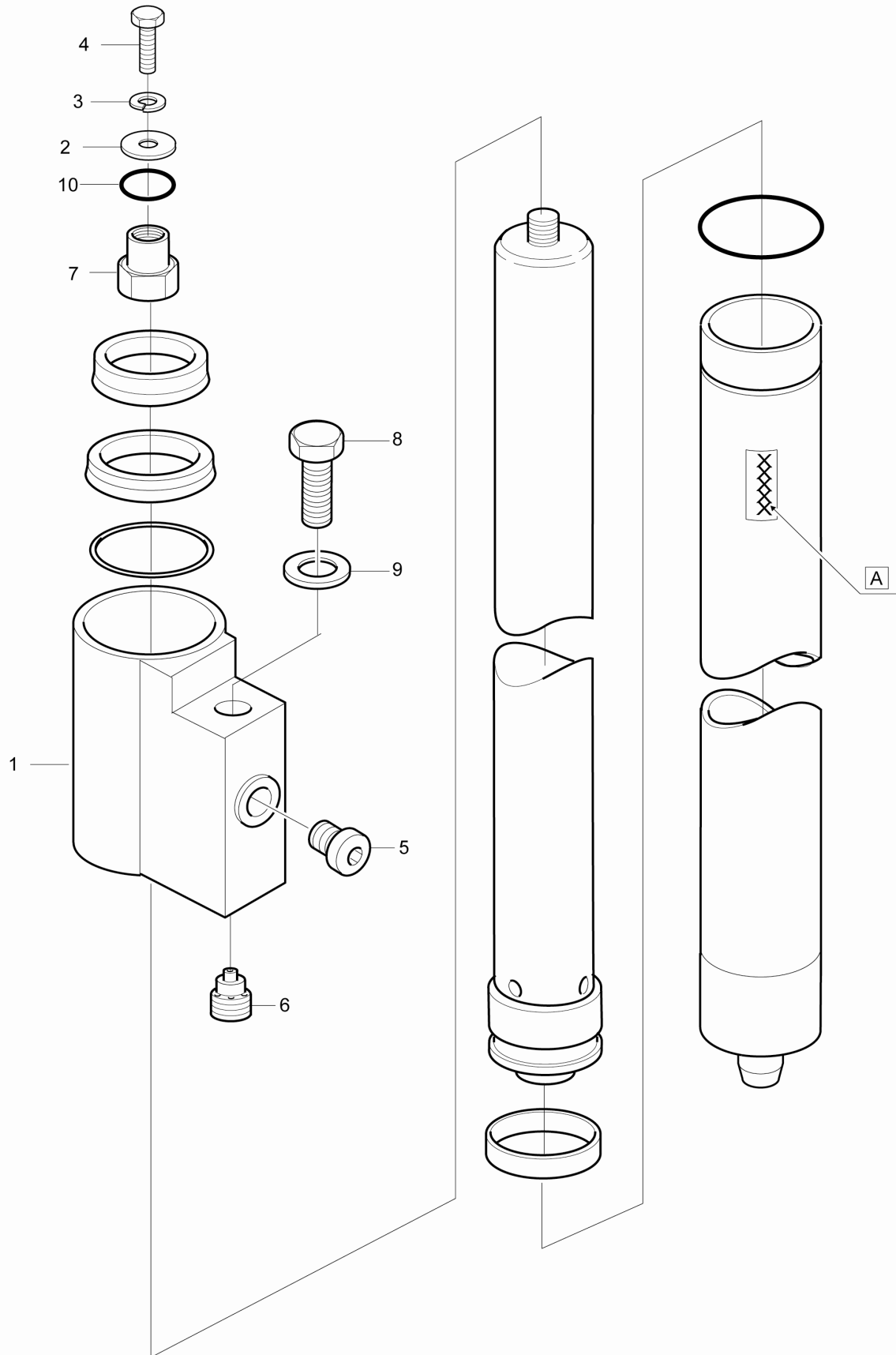
**Hydraulaggregat A-Ergo 7,8 kW - Hydraulic unit A-Ergo 7,8 kW**  
**Hydraulaggregat A-Ergo 7,8 kW - Agrégat hydraulique A-Ergo 7,8 kW**

| Pos. | Beskrivning                          | Designation          | Bezeichnung             | Dénomination             | Qty | Part No. |
|------|--------------------------------------|----------------------|-------------------------|--------------------------|-----|----------|
| 1    |                                      |                      |                         |                          | 1   |          |
|      | <i>Included in 1001</i>              |                      |                         |                          |     |          |
| 2    | Skydd                                | Protection/guard     | Gehäuse                 | Carter                   | 1   | 103525   |
| 3    | Skruv                                | Screw                | See 01C Schraube        | Vis                      | 6   | 010549   |
| 4    | Fjäderbricka FBB                     | Spring Washer        | Federring               | Rondelle grower          | 6   | 012269   |
| 5    |                                      |                      |                         |                          | 1   |          |
|      | <i>Included in 1001</i>              |                      |                         |                          |     |          |
| 6    | Polbultsats                          | Term. pillar, assay. | Polbolzen, kompl        | Boulon polaire, compl.   | 1   | 150250   |
| 7    | Skruv MCS M6x25                      | Screw MCS M6x25      | Schraube                | Vis                      | 1   | 011363   |
| 8    |                                      |                      |                         |                          | 1   |          |
|      | <i>Included in 1001</i>              |                      |                         |                          |     |          |
| 9    | Fjäderbricka FBB                     | Spring washer        | Fbb : Federring         | Rondelle grower          | 4   | 012275   |
| 10   | Sexkantsmutter                       | Hexagon nut          | Sechskantmutter         | Ecrou hexagonale         | 4   | 012120   |
| 11   | Vågad fjäderbricka                   | Lock washer          | Wellfeder               | Rond. élast. nervée      | 1   | 103523   |
| 12   | Kullager                             | Roller bearing       | Kugellager              | Roulement à billes       | 1   | 103522   |
| 14   | Kolhållare                           | Brush holder         | Kohlebürstenhalter      | Support de balai charbon | 8   | 150251   |
| 15   | Kolsats                              | Brush kit            | Kohlenbürstensatz       | Jeu de balai charbon     | 8   | 103531   |
| 16   | Toleransring                         | Tolerance ring       | Toleranzring            | Bague de tolérance       | 1   | 150253   |
| 17   | Fläkt                                | Fan                  |                         |                          | 1   | 150252   |
| 18   |                                      |                      |                         |                          | 1   |          |
|      | <i>Included in 1001</i>              |                      |                         |                          |     |          |
| 19   |                                      |                      |                         |                          | 1   |          |
|      | <i>Included in 1001</i>              |                      |                         |                          |     |          |
| 20   | Kullager                             | Roller bearing       | Kugellager              | Roulement à billes       | 1   | 008064   |
| 21   |                                      |                      |                         |                          | 1   |          |
|      | <i>Included in 1001</i>              |                      |                         |                          |     |          |
| 22   | Fjäderbricka FBB                     | Spring Washer        | Federring               | Rondelle grower          | 6   | 012269   |
| 23   | Skruv MC6S M5x16                     | Screw MC6S M5x16     | Schraube                | Vis                      | 6   | 010544   |
| 24   | Tättningsring                        | Sealing ring         | Dichtring               | Bague d'étanchéité       | 1   | 005749   |
| 25   | O-ring                               | O-ring               | O-ring                  | Joint torique            | 1   | 005768   |
| 26   | Adapter                              | Adapter              | Adapter                 | Adapteur                 | 1   | 005750   |
| 27   | Pump                                 | Pump                 | Pumpe                   | Pompe                    | 1   | 150254   |
| 28   | Fjäderbricka FBB                     | Spring washer        | Fbb : Federring         | Rondelle grower          | 2   | 012275   |
| 29   | Skruv MC6S M8x100                    | Screw MC6S M8x100    | Schraube                | Vis                      | 2   | 010667   |
| 32   | Fläktskydd                           | Fan protection       | Gebälsegehäuse          | Protecteur, ventilateur  | 1   | 103509   |
| 33   | Skruv M6S M8x20                      | Screw M6S M8x20      | Schraube                | Vis                      | 1   | 010142   |
| 34   | Skruv M6S 6x10                       | Screw M6S 6x10       | Schraube                | Vis                      | 2   | 010087   |
| 35   | Fjäderbricka FBB 6.1                 | Spring washer        | Federring               | Rondelle grower          | 2   | 012271   |
| 36   |                                      |                      |                         |                          | 1   |          |
|      | <i>Included in 1001</i>              |                      |                         |                          |     |          |
| 37   | Solfjädersbricka AZV                 | Washer AZV           | Scheibe                 | Rondelle                 | 1   | 012317   |
| 38   | Skruv MCS 6x20                       | Screw MCS 6 x 20     | Schraube                | Vis                      | 1   | 011360   |
| 39   | Skruv MC6S 8x10                      | Screw MC6S 8x10      | Schraube                | Vis                      | 1   | 010623   |
| 40   | Bricka BRB<br>BRBFZB, 8,4 x 16 x 1,5 | Washer               | Scheibe                 | Rondelle                 | 1   | 012375   |
| 1001 | Hydraulaggregat                      | Hydraulic unit       | Pump, Hydraulikaggregat | Aggrégat hydraulique     | 1   | 103373   |

A-Ergo\_090128\_-2004w32

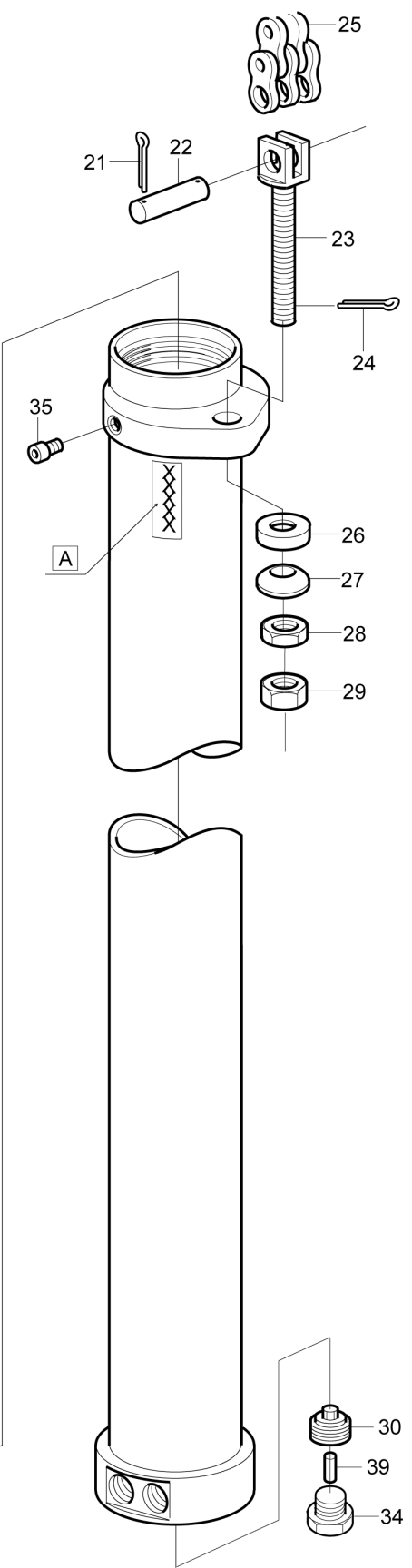
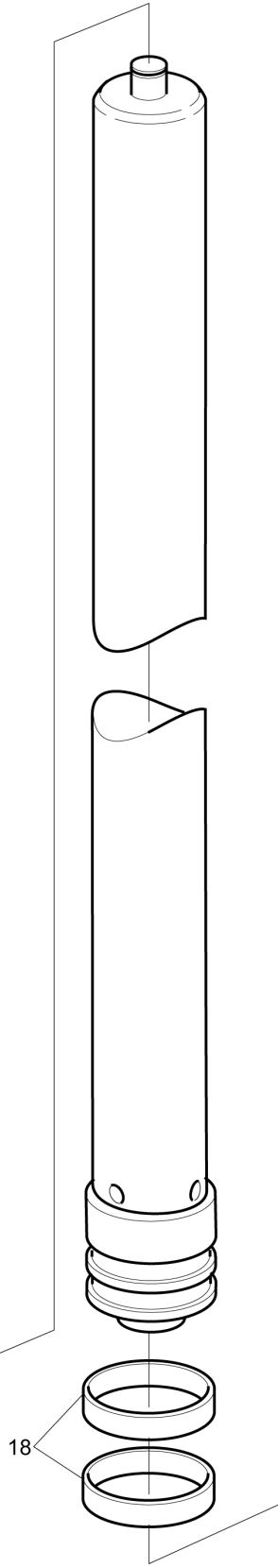
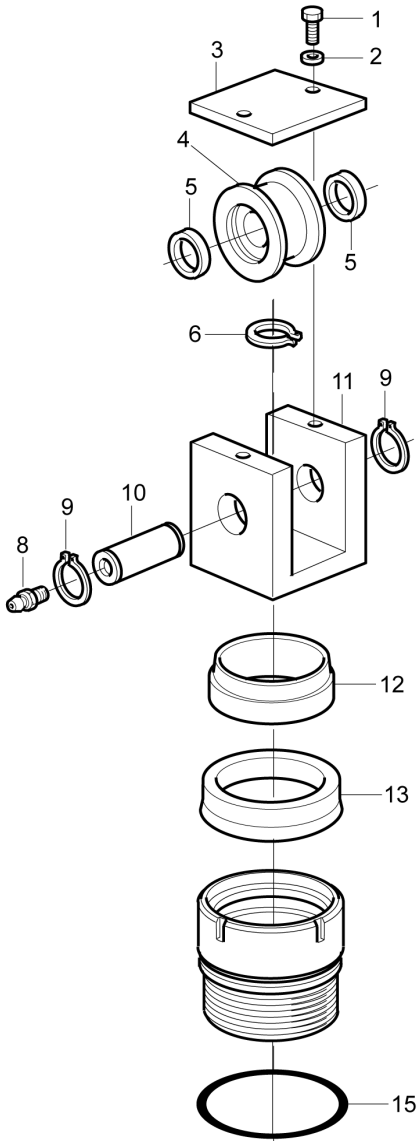


A-Ergo\_090413\_AATF



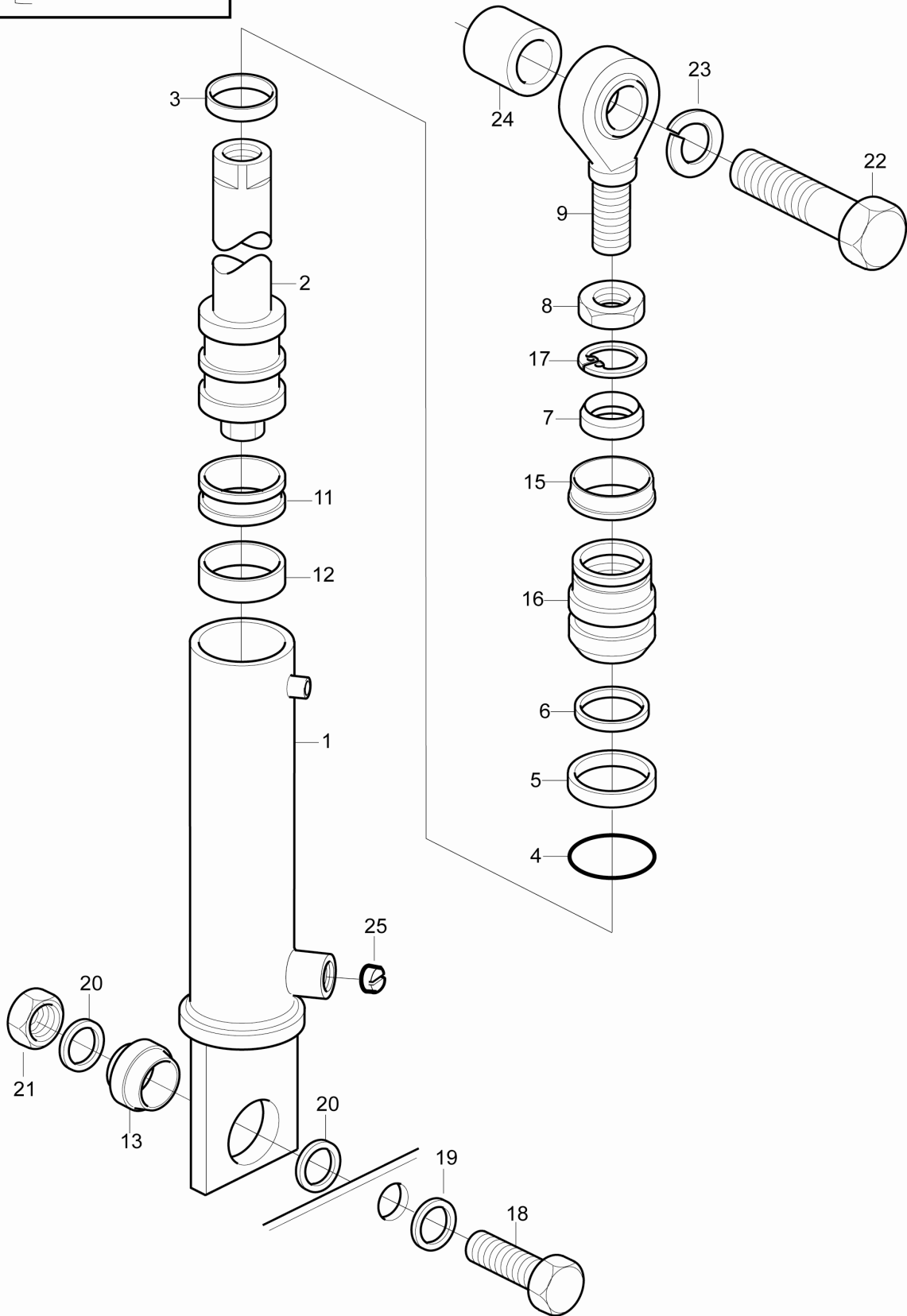
A-Ergo\_090310\_-2004w32\_2013A

1001 — Free lift cylinder

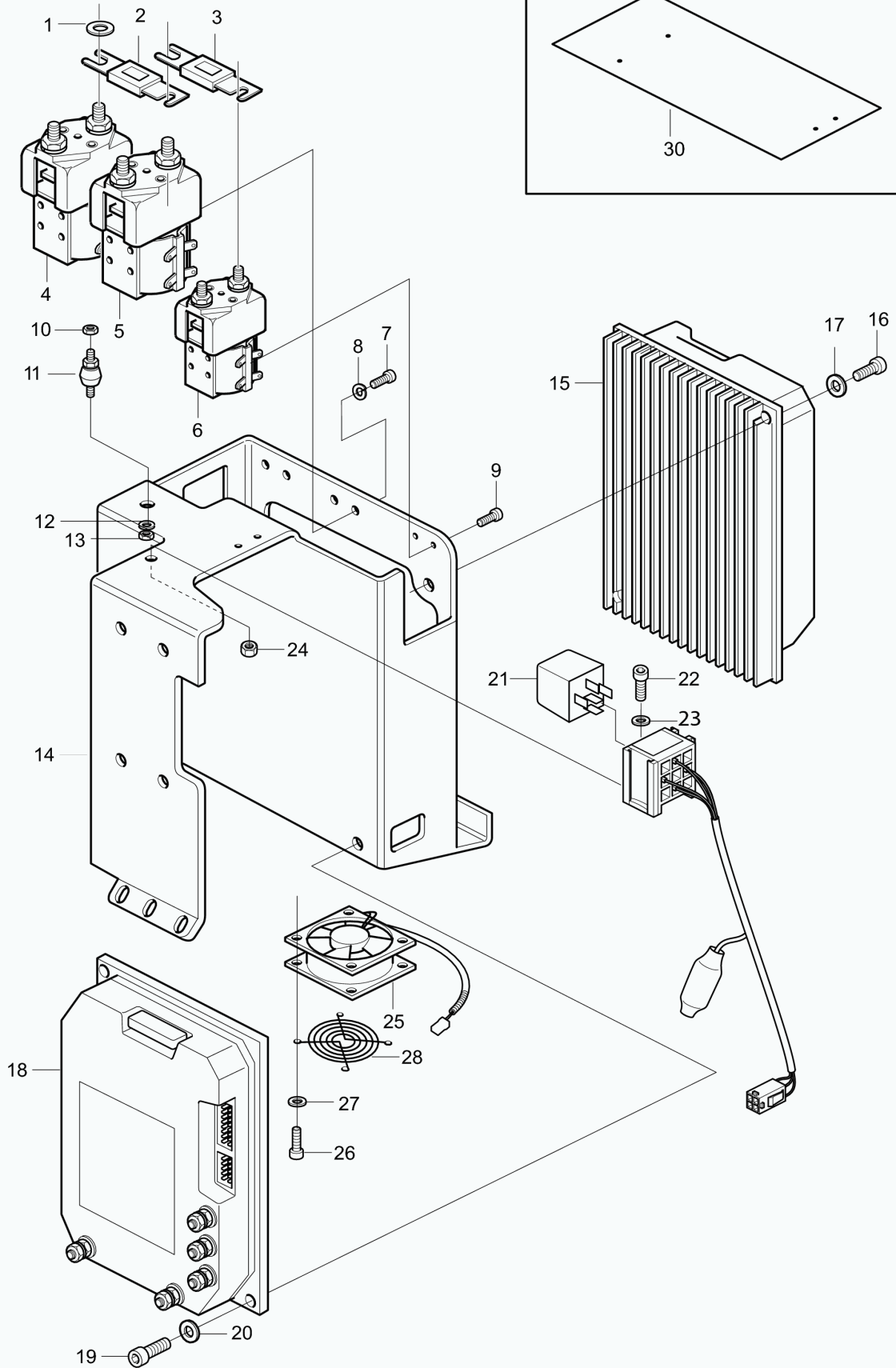


A-Ergo\_090202

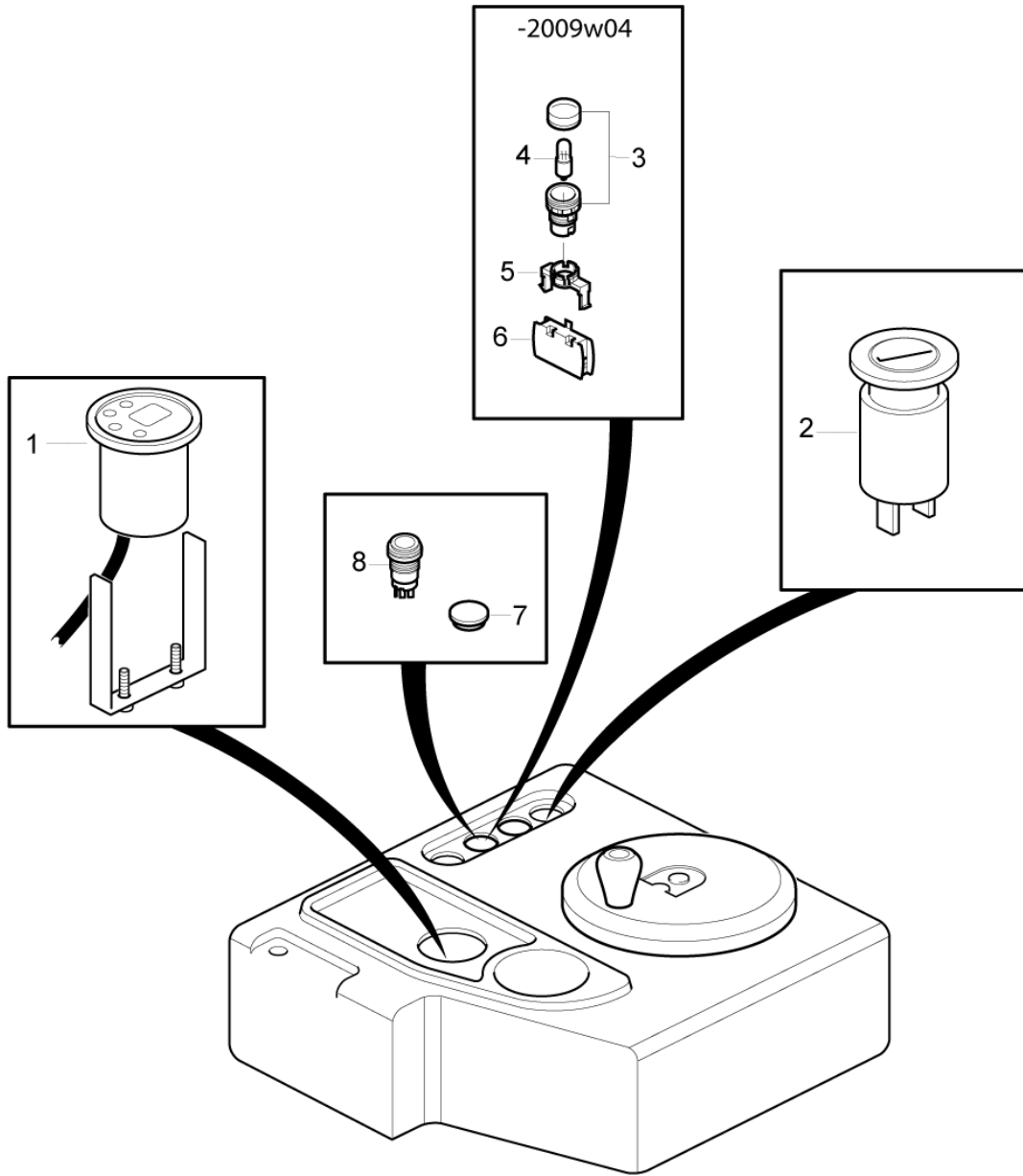
1001 — Free lift cylinder



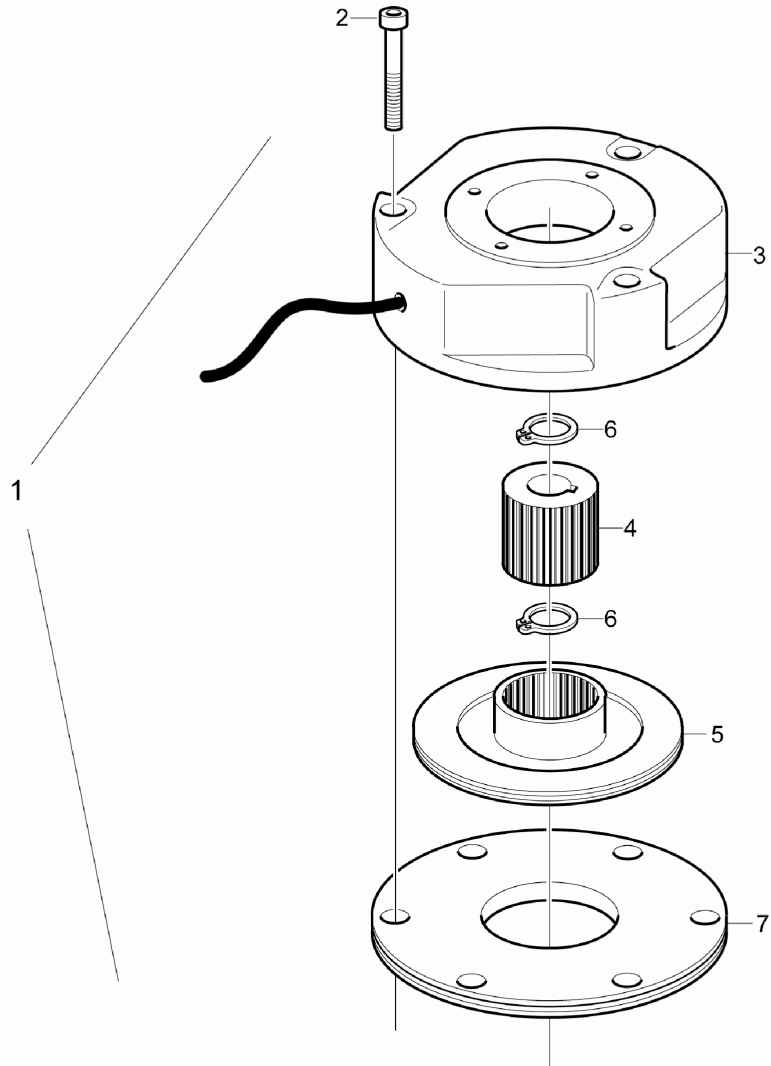
A-Ergo\_100600\_2011A



A-Ergo\_102102\_2009A



A-Ergo\_110101\_-2006w46



CLICK HERE TO **DOWNLOAD** THE COMPLETE MANUAL

- Thank you very much for reading the preview of the manual.
- You can download the complete manual from: [www.heydownloads.com](http://www.heydownloads.com) by clicking the link below



- Please note: If there is no response to CLICKING the link, please download this PDF first and then click on it.

CLICK HERE TO **DOWNLOAD** THE COMPLETE MANUAL