

Parts List
For Portable Compressors

XRHS 366 Cd

CLICK HERE TO **DOWNLOAD** THE COMPLETE MANUAL

- Thank you very much for reading the preview of the manual.
- You can download the complete manual from: www.heydownloads.com by clicking the link below



- Please note: If there is no response to CLICKING the link, please download this PDF first and then click on it.

CLICK HERE TO **DOWNLOAD** THE COMPLETE MANUAL

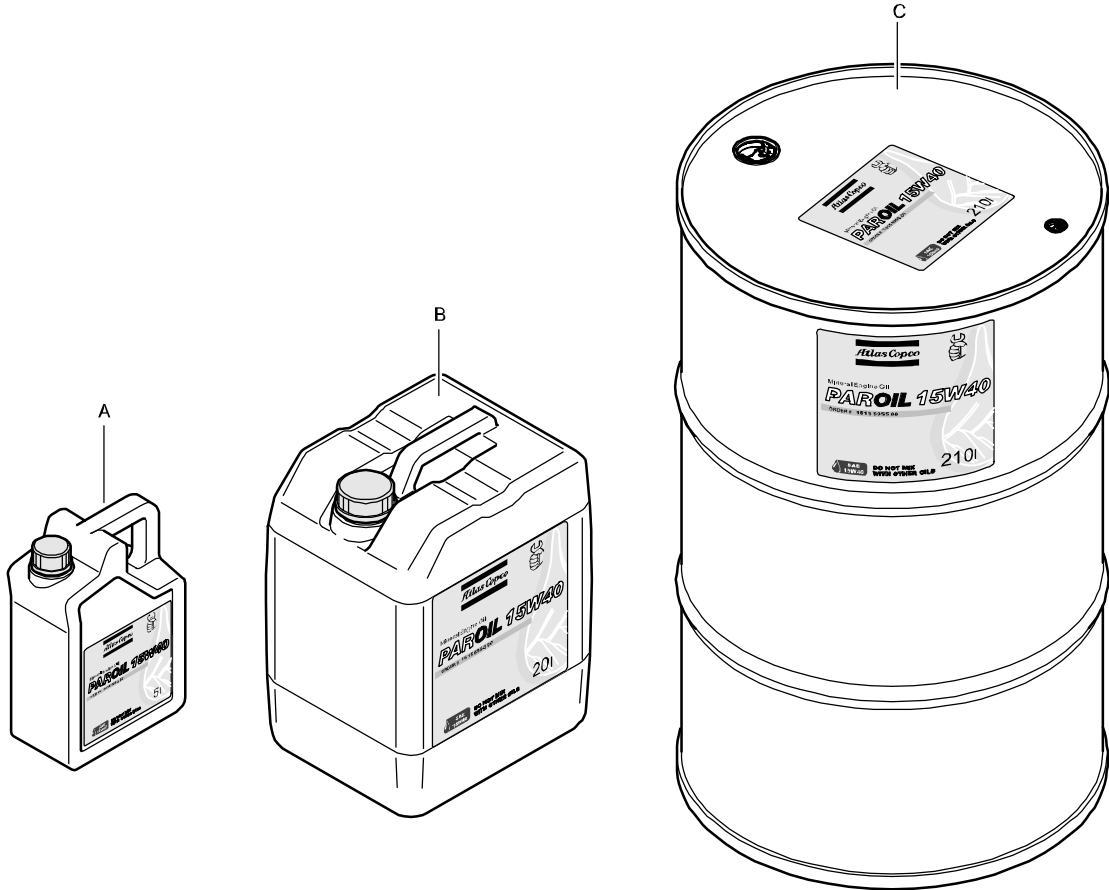
PARTS LIST

PARTS INDEX

PART	PAGE	PART	PAGE
A		C	
ADAPTER	36, 40, 105, 106, 186, 188, 190	CONDUIT.....	46
ADDITIONAL FUEL FILTER	162, 163	CONNECTION TUBE.....	38
ADJUSTING ROD.....	212	CONNECTION.....	38, 122, 138, 140, 166
AFTERCOOLER... ..	180, 181, 182, 183, 184, 185, 186, 187, 188, 189, 190, 191	CONNECTION PIPE	169
AIR DUCT	50	CONNECTOR	174
AIR FILTER	50	CONTACT BLOCK	164
AIR FILTER ELEMENT	50	CONTROL BOX	120, 133
AIR FILTER SAFETY CARTRIDGE	50	CONTROL MODULE.....	56
AIR INLET.....	50, 51	CONTROL UNIT	56, 120
AIR INLET VALVE	166	COOLER AND FAN ASSEMBLY.....	43, 114
AIR OUTLET.....	48	COOLER AND FAN DRIVE.....	43
ANCHOR PLATE	60, 130, 156, 158, 164, 173, 174, 175	COOLER ASSEMBLY	114, 130, 131
AUTOMATIC BRAKING SYSTEM	152, 160, 210, 211, 218, 219, 222, 224	CORE PLUG	122
AXLE.....	152, 154, 156, 158, 160, 197, 212, 213	CORNER	214
B		CORNER ASSEMBLY	52, 55, 72, 73, 85, 94, 95, 143, 144, 148, 180 182, 184, 186, 188, 190, 194, 196, 204, 214
BAFFLE	72, 76, 111, 112	CORNER PANEL.....	85, 98, 196, 204
BALL BEARING	135, 137	COUNTRY SET	67, 68, 69
BALL VALVE	46, 74, 167, 168, 169, 170, 180, 182, 184, 186, 188, 190	COUPLING	37, 156, 158, 210, 218
BASE PLATE.....	121, 221	COUPLING ELEMENT.....	37
BATTERY CABLES CLAMPING	58	COVER.....	38, 58, 78, 99, 127, 128, 129, 130, 132, 133, 134, 204, 215, 216
BATTERY	58	COVER AIR FILTER.....	50
BATTERY CABLE	58	COVER ASSEMBLY	103, 104, 127
BEAM.....	32, 54, 103, 104, 130	CROSS.....	40
BEARING	197, 198, 212	CUBICLE	58
BELT.....	34	CYLINDER	129
BELT GUARD	43	D	
BODY.....	162	DATA PLATE	57
BOW SHACKLE	67, 68, 69, 180, 182, 184, 186, 188, 190	DECAL	136
BRAKE.....	152, 160	DECAL ASSEMBLY	133, 136
BRAKE CABLE.....	152, 154, 156, 158, 160, 200, 214, 217	DISC	212
BRAKE CAMSHAFT.....	212	DISK	212
BRAKE CHAMBER ASSEMBLY.....	210, 218	DISPLAY	133
BRAKE SHOE	198, 212	DISTANCE PIECE.....	58
BRAKE SYSTEM.....	210, 218, 222, 223, 224, 225	DISTANCE SLEEVE	105, 106
BUFFER	33, 105, 106, 107	DOOR	85, 86, 87, 88, 89, 90, 91, 100, 101, 125, 126, 214, 215, 216
BUMPER.....	83, 173, 174, 175	DOOR ASSEMBLY ..	52, 72, 76, 78, 86, 87, 88, 89, 90, 91, 100, 101, 102, 118 125, 126, 180, 182, 184, 186, 188, 190
BUSH.....	197, 212	DOOR HOOK.....	85, 86, 87, 88, 89, 90, 91, 92, 93, 94, 95, 99, 100, 101 125, 126, 127, 194, 204, 205, 214, 215, 216
BUSHING	36, 38, 40, 67, 68, 69, 72, 76, 129, 138, 140, 169, 197, 198, 212	DRAIN PIPE.....	38
C		DRAIN PLATE	149
CABLE.....	58, 133, 152, 160, 164	DRAINS.....	46, 47
CABLE CLAMP	46, 60	DRIVE SHAFT.....	36
CABLE GUIDE.....	60	DRUM.....	198
CABLE MODULATOR	222, 224	E	
CABLE POWER SUPPLY.....	222, 224	ENGINE.....	34
CABLE STRIP	52, 130	ENGINE AND ACCESSORIES	34
CABLE SUPPLY.....	222, 224	ENGINE COOLING.....	42
CABLE TIE.....	60, 164, 173, 174, 175	ELBOW	138, 140, 164, 182, 184, 186, 188, 190
CANOPY - REHEATER.....	146, 147	ELBOW PIPE COUPLING.....	40, 180, 182, 184, 186, 188, 190
CAP	197, 198, 212	ELECTRICAL SYSTEM	58, 59
CHAIN... ..	67, 68, 69, 99, 156, 158, 180, 182, 184, 186, 188, 190, 204, 215, 216	ELEMENT AND MOUNTS	35
CIRCLIP	117, 129, 135, 137	ELEMENT MOUNTING	27
CIRCUIT BREAKER.....	58, 164, 193	EMERGENCY STOP.....	85, 214
CLAMP	33, 50, 58, 72, 73, 152, 160, 165	ENGINE COOLANT.....	24
CLAMPING	60, 61	ENGINE OIL	20, 21
CLAMP RING.....	123	EXHAUST.....	33
CLIP.....	130	EXHAUST COVER	33, 78
COMPRESSION SPRING.....	121, 221	EXHAUST PIPE.....	33, 63, 64, 165
COMPRESSOR DRIVE.....	36		
COMPRESSOR OIL	22, 23		

ENGINE OIL

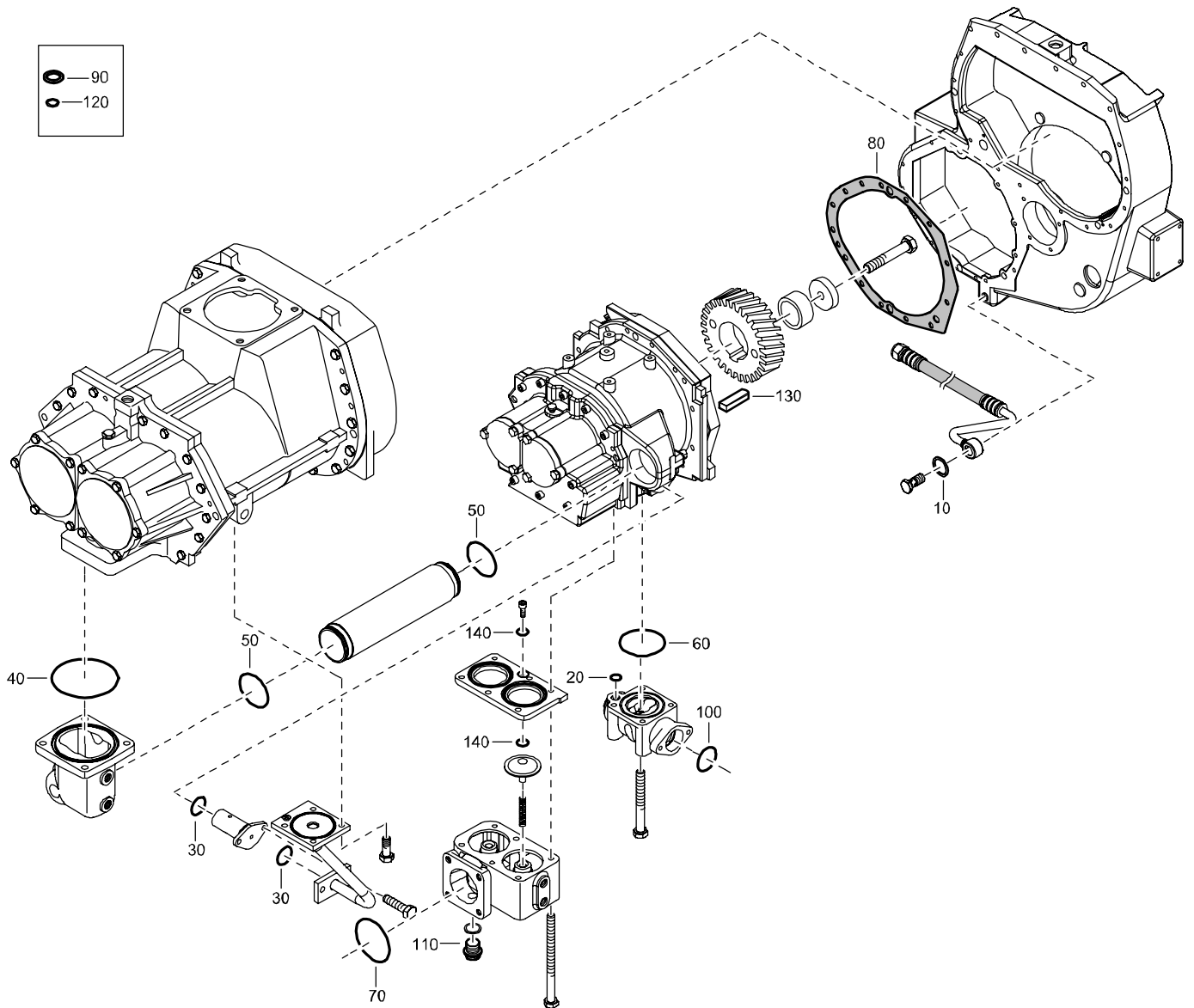
PAROIL 15W40



REF	PART NUMBER	DESIGNATION	QTY	REF	PART NUMBER	DESIGNATION	QTY
A	1615 5953 00	PAROIL 15W40 5 LITER CAN	1				
B	1615 5954 00	PAROIL 15W40 20 LITER CAN	1				
C	1615 5955 00	PAROIL 15W40 210 LITER BARREL	1				

SERVICE KIT

ELEMENT MOUNTING HP



REF	PART NUMBER	DESIGNATION	QTY	REF	PART NUMBER	DESIGNATION	QTY
-	2911 0120 00	SERVICE KIT ELEMENT MOUNTING HP					
●10	-	FLAT GASKET	3				
●20	-	O-RING	1				
●30	-	O-RING	2				
●40	-	O-RING	1				
●50	-	O-RING	2				
●60	-	O-RING	6				
●70	-	O-RING	1				
●80	-	GASKET	1				
●90	-	SEALING WASHER	1				
●100	-	O-RING	1				
●110	-	HEXAGON PLUG	1				
●120	-	FLAT GASKET	2				
●130	-	PARALLEL KEY	1				
●140	-	O-RING	2				

STANDARD

REGULATING SYSTEM

REF	PART NUMBER	DESIGNATION	QTY	REF	PART NUMBER	DESIGNATION	QTY
25	0147 1362 03	HEX. HEAD SCREW	2				
30	0301 2344 00	PLAIN WASHER	2				
40	0686 3716 01	HEXAGON PLUG	1				
45	0653 1062 00	FLAT GASKET	1				
50	1089 0351 61	SOLENOID VALVE	1				
130	0575 0791 57	HOSE ASSEMBLY	1				
160	1079 5840 01	HEXAGON NIPPLE	1				
165	0653 1046 00	FLAT GASKET	1				
170	0653 1062 00	FLAT GASKET	1				
175	1615 9643 00	REDUCER FOR SCAVENGE PIPE	1				
180	0653 1062 00	FLAT GASKET	1				
185	1619 5205 00	NIPPLE	1				
200	0603 4102 03	HEXAGON NIPPLE	1				
220	0560 4400 90	CROSS	1				
240	0603 5105 03	HEXAGON NIPPLE	1				
242	0653 1124 00	FLAT GASKET	1				
245	0581 0034 01	STRAIGHT PIPE COUPLING	1				
250	0575 0112 35	HOSE ASSEMBLY	2				
251	0395 1010 39	INSULATING HOSE	1				
255	0653 1062 00	FLAT GASKET	1				
260	0581 0028 01	STRAIGHT PIPE COUPLING	1				
265	0653 1062 00	FLAT GASKET	1				
270	0581 0028 01	STRAIGHT PIPE COUPLING	1				
275	0575 0102 11	HOSE ASSEMBLY	1				
276	0395 1010 47	INSULATING HOSE H15-A	1				
280	0653 1062 00	FLAT GASKET	1				
285	0581 0028 01	STRAIGHT PIPE COUPLING	1				
290	1615 9643 00	REDUCER FOR SCAVENGE PIPE	1				
325	0581 0028 01	STRAIGHT PIPE COUPLING	4				
327	0653 1062 00	FLAT GASKET	4				
329	0564 0000 24	TEE	2				
330	0653 1062 00	FLAT GASKET	2				
335	1615 9643 00	REDUCER FOR SCAVENGE PIPE	2				
340	0603 4102 03	HEXAGON NIPPLE	1				
345	0560 4400 90	CROSS	1				
346	0653 1062 00	FLAT GASKET	1				
347	0823 0000 19	NON-RETURN VALVE	1				
348	0653 1062 00	FLAT GASKET	1				
355	0581 1228 04	PIPE COUPLING TYPE 2.1	1				
360	0575 0112 35	HOSE ASSEMBLY	2				
365	0395 1010 39	INSULATING HOSE	1				
375	0581 1228 04	PIPE COUPLING TYPE 2.1	1				
380	0653 1046 00	FLAT GASKET	1				
390	1604 5758 00	ADAPTER	1				
395	0581 0000 67	STRAIGHT PIPE COUPLING	1				
396	0070 6002 10	PLASTIC TUBE	AR				
397	0581 1200 30	ELBOW PIPE COUPLING	1				
400	0560 4401 58	TEE	1				
410	0653 1124 00	FLAT GASKET	1				
420	1079 5840 35	NIPPLE	1				
425	0575 0403 55	HOSE ASSEMBLY	1				
430	1079 5840 02	HEXAGON NIPPLE	1				
435	0653 1124 00	FLAT GASKET	1				
460	1604 2739 00	NIPPLE	1				
470	3176 2446 00	BUSHING	2				
475	0653 1100 00	FLAT GASKET	2				

STANDARD

AIR INLET

REF	PART NUMBER	DESIGNATION	QTY	REF	PART NUMBER	DESIGNATION	QTY
20	1604 2512 01	BRACKET	1				
30	0147 1326 03	HEX. HEAD SCREW	4				
35	0301 2335 00	PLAIN WASHER	4				
40	1604 0120 01	AIR FILTER	2				
•A10	2914 5017 00	AIR FILTER ELEMENT	1				
•A20	2914 5018 00	AIR FILTER SAFETY CARTRIDGE	1				
•A30	2914 8662 00	COVER AIR FILTER	1				
50	1604 0128 00	CLAMP (AIRFILTER)	2				
55	0147 1330 12	HEX. HEAD SCREW	4				
60	0333 3227 00	LOCK WASHER	4				
70	1604 2356 00	HUMP HOSE	2				
75	0347 6121 00	HOSE CLAMP	4				
80	1604 2758 02	AIR DUCT	1				
85	1604 4761 00	HOSE	1				
90	0347 6122 00	HOSE CLAMP	2				
95	1604 3639 01	AIR DUCT	1				
100	1604 2578 01	HOSE	1				
105	0347 6100 23	HOSE CLAMP	2				
150	1604 2804 03	SUPPORT	1				
160	0147 1363 03	HEX. HEAD SCREW	4				
165	0333 3232 00	LOCK WASHER	4				
170	1604 0120 01	AIR FILTER	2				
•A10	2914 5017 00	AIR FILTER ELEMENT	1				
•A20	2914 5018 00	AIR FILTER SAFETY CARTRIDGE	1				
•A30	2914 8662 00	COVER AIR FILTER	1				
175	1604 0128 00	CLAMP (AIRFILTER)	2				
180	0147 1330 12	HEX. HEAD SCREW	4				
185	0333 3227 00	LOCK WASHER	4				
200	2250 5266 00	HUMP HOSE	2				
205	0347 6121 00	HOSE CLAMP	4				
210	1604 2514 02	AIR DUCT	1				
220	1615 5409 00	HOSE	1				
230	0347 6122 00	HOSE CLAMP	2				
250	1089 0607 06	WARNING SWITCH	1				
260	0661 1014 00	SEALING WASHER	1				

STANDARD

CLAMPING

REF	PART NUMBER	DESIGNATION	QTY	REF	PART NUMBER	DESIGNATION	QTY
20	1604 2745 03	CABLE GUIDE	1				
25	1619 2766 00	HEX. HEAD SCREW	3				
50	1613 0801 07	PIPE CLAMP	4				
100	0348 0110 03	ANCHOR PLATE	40				
105	0129 3110 00	BLIND RIVET	45				
110	0348 0101 05	CABLE TIE	65				
150	1604 2765 02	GUIDE	2				
155	0147 1251 03	HEX. HEAD SCREW	2				
160	0266 2108 00	HEXAGON NUT	1				
165	0301 2321 00	PLAIN WASHER	1				
170	0333 3220 00	LOCK WASHER	1				
250	1615 5619 00	BRACKET	1				
255	0147 1325 03	HEX. HEAD SCREW	1				
260	0301 2335 00	PLAIN WASHER	1				
265	1613 0803 02	PIPE CLAMP	2				
270	0147 1247 03	HEX. HEAD SCREW	1				
275	0266 2108 00	HEXAGON NUT	1				
280	0301 2321 00	PLAIN WASHER	1				
285	0333 3220 00	LOCK WASHER	1				
320	1088 0832 01	CABLE CLAMP	1				
325	0129 3110 00	BLIND RIVET	1				
350	1604 4358 01	GUIDE	1				
351	0144 3489 03	UNC 3/4X1.1/2 HEX BOLT	1				
353	0301 2394 00	PLAIN WASHER	2				
360	1613 0804 02	PIPE CLAMP	4				
362	1613 0801 07	PIPE CLAMP	2				
365	0147 1247 03	HEX. HEAD SCREW	6				
370	0333 3220 00	LOCK WASHER	6				
375	0266 2108 00	HEXAGON NUT	6				
380	1613 0807 00	SUPPORT	5				
381	2252 2529 00	BRACKET	1				
382	0147 1474 03	HEX. HEAD SCREW	1				
383	0301 2378 00	PLAIN WASHER	1				
385	1613 0801 03	PIPE CLAMP	12				
390	0147 1325 03	HEX. HEAD SCREW	7				
395	1613 0801 03	PIPE CLAMP	2				
400	0147 1249 03	HEX. HEAD SCREW	2				
405	0333 3220 00	LOCK WASHER	2				
410	0266 2108 00	HEXAGON NUT	2				
415	1619 2861 08	PIPE CLAMP	3				
420	0147 1249 03	HEX. HEAD SCREW	3				
425	0333 3220 00	LOCK WASHER	3				
430	0266 2108 00	HEXAGON NUT	3				
435	0346 1000 19	PIPE CLAMP	12				
440	0147 1247 03	HEX. HEAD SCREW	11				
445	0147 1325 03	HEX. HEAD SCREW	1				
450	0301 2335 00	PLAIN WASHER	1				
455	0266 2108 00	HEXAGON NUT	4				
460	0333 3220 00	LOCK WASHER	4				
465	0301 2321 00	PLAIN WASHER	4				
480	1613 2679 00	SUPPORT	1				
485	0147 1358 03	HEX. HEAD SCREW	1				
490	0301 2344 00	PLAIN WASHER	1				

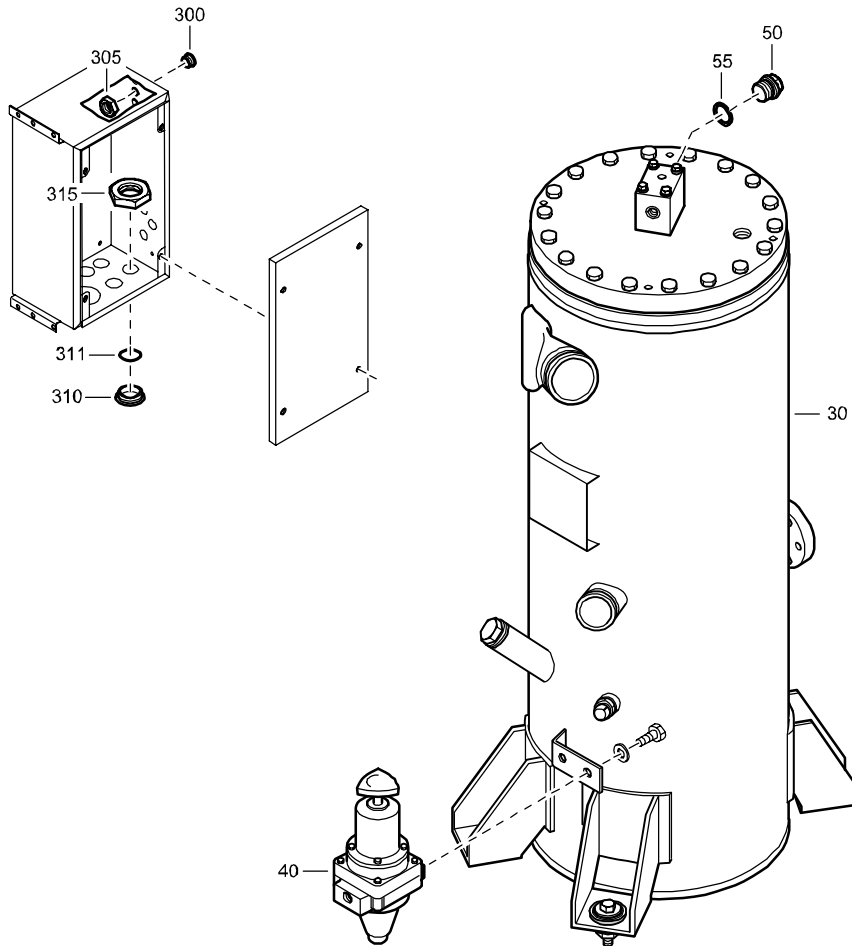
STANDARD

NO REHEATER

REF	PART NUMBER	DESIGNATION	QTY	REF	PART NUMBER	DESIGNATION	QTY
20	1604 2459 02	HOSE ASSEMBLY	1				
30	1604 2462 01	HOSE ASSEMBLY	1				
40	1604 2458 04	HOSE ASSEMBLY	1				

STANDARD

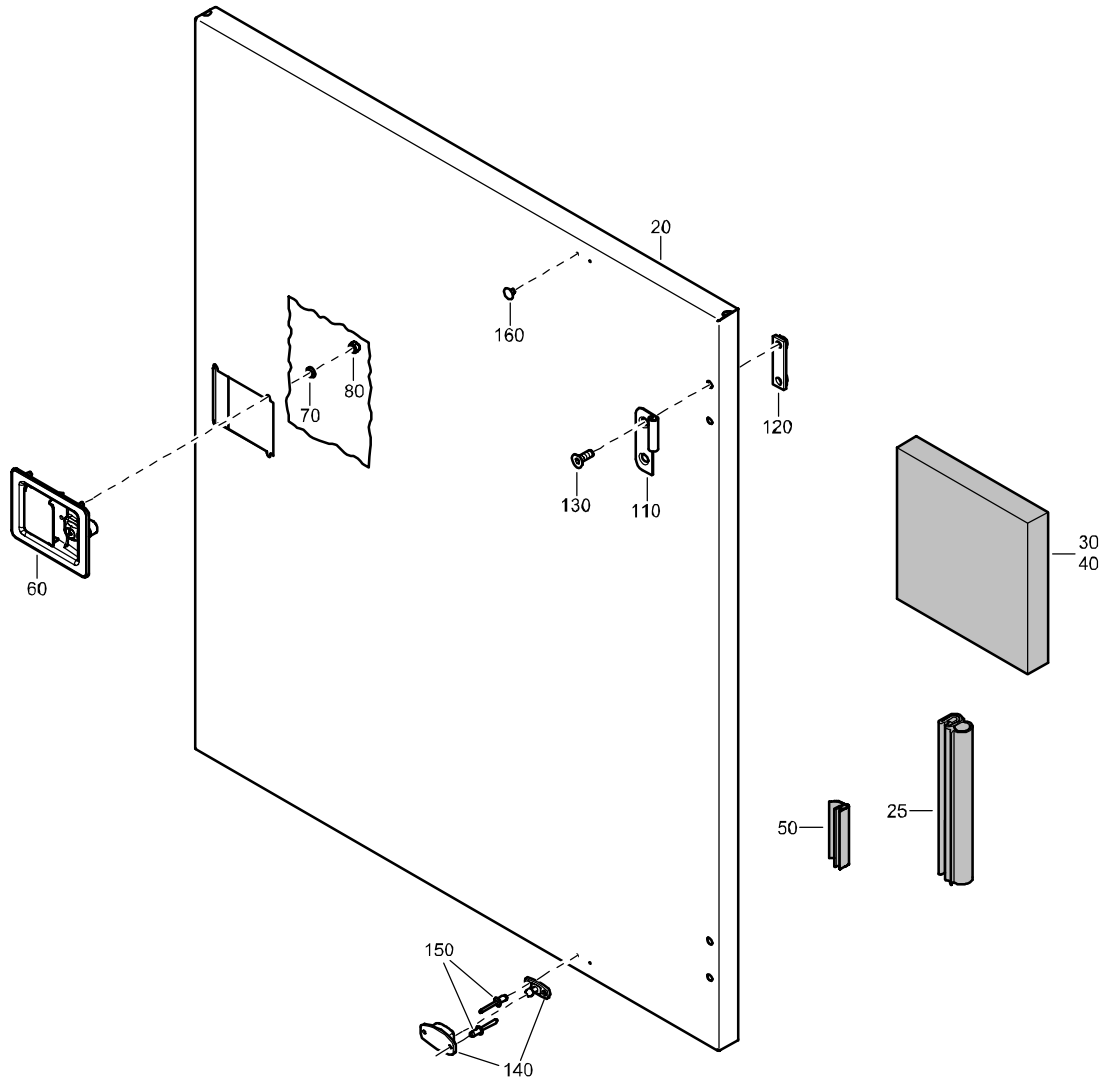
NO COLDSTART SQL



REF	PART NUMBER	DESIGNATION	QTY	REF	PART NUMBER	DESIGNATION	QTY
30	1604 2532 94	OILSEP. ASSY SQL <i>(For details see page 107)</i>	1				
40	2252 0495 96	REGUL. VALVE <i>(For details see page 121)</i>	1				
50	0686 3716 02	HEXAGON PLUG	1				
55	0653 1124 00	FLAT GASKET	1				
300	0697 9810 43	PLUG	1				
305	0697 9809 30	LOCKNUT	1				
310	0697 9810 27	PLUG	1				
311	0663 6127 00	O-RING	1				
315	0697 9809 22	LOCK NUT	1				

STANDARD

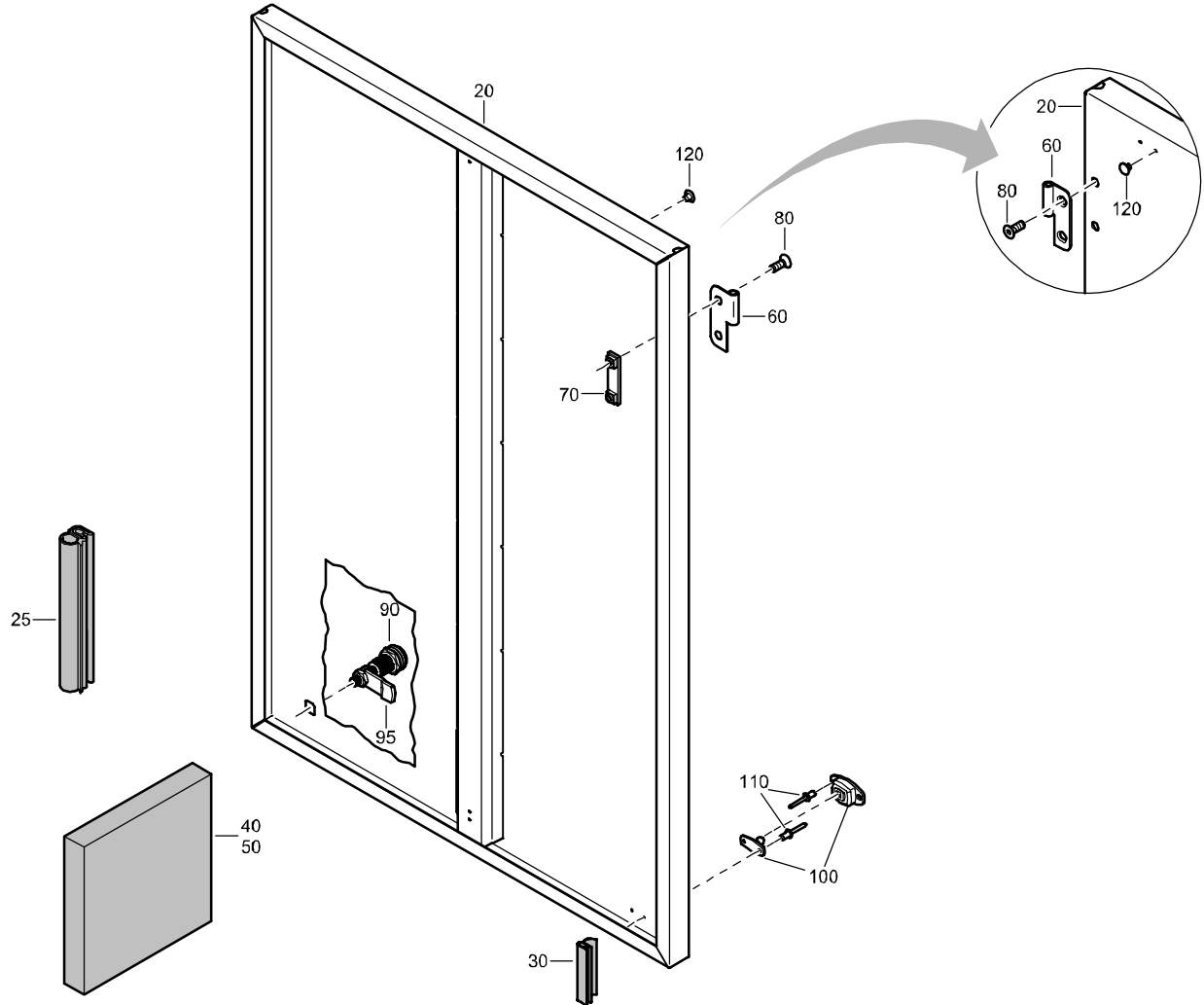
DOOR ASSEMBLY



REF	PART NUMBER	DESIGNATION	QTY	REF	PART NUMBER	DESIGNATION	QTY
-	1604 2456 81	DOOR ASSY	(From page 52)				
•20	1604 2456 00	DOOR	1				
•25	1619 6858 00	SEAL	AR				
•30	-	SILENCING FOAM	1	-	1079 0003 32	SILENCING FOAM	
•40	-	SILENCING FOAM	1			2000 mm x 1500 mm x 30 mm	
•50	1619 2665 00	SEAL	AR	-	1079 0001 91	SILENCING FOAM	
•60	1615 6967 03	HANDLE	1			2000 mm x 1500 mm x 40 mm	
•70	0301 2321 00	PLAIN WASHER	4	-	1079 0003 33	SILENCING FOAM	
•80	0291 1108 00	LOCKNUT	4			2000 mm x 1500 mm x 50 mm	
•110	1604 3431 00	HINGE	2				
•120	1615 5684 00	BRACKET	2				
•130	0216 1324 03	HEX SOCK. SCREW	4				
•140	1619 1663 00	DOOR HOOK	1				
•150	0129 3270 17	BLIND RIVET	2				
•160	0686 9252 87	PLUG	2				

STANDARD

DOOR ASSEMBLY



REF	PART NUMBER	DESIGNATION	QTY	REF	PART NUMBER	DESIGNATION	QTY
-	1604 2487 85	DOOR ASSY	(From page 52)				
●20	1604 2487 02	DOOR	1				
●25	1619 6858 00	SEAL	AR				
●30	1619 2665 00	SEAL	AR				
●40	-	SILENCING FOAM	1				
●50	-	SILENCING FOAM	1				
●60	1604 3429 00	HINGE	2				
●70	1615 5684 00	BRACKET	2				
●80	0216 1324 03	HEX SOCKET. SCREW	4				
●90	1604 2519 01	LOCK	2				
●95	1604 3743 00	LATCH	2				
●100	1619 1663 00	DOOR HOOK	1				
●110	0129 3270 17	BLIND RIVET	2				
●120	0686 9252 87	PLUG	2				
-	1079 0003 32	SILENCING FOAM 2000 mm x 1500 mm x 30 mm					
-	1079 0001 91	SILENCING FOAM 2000 mm x 1500 mm x 40 mm					
-	1079 0003 33	SILENCING FOAM 2000 mm x 1500 mm x 50 mm					

CLICK HERE TO **DOWNLOAD** THE COMPLETE MANUAL

- Thank you very much for reading the preview of the manual.
- You can download the complete manual from: www.heydownloads.com by clicking the link below

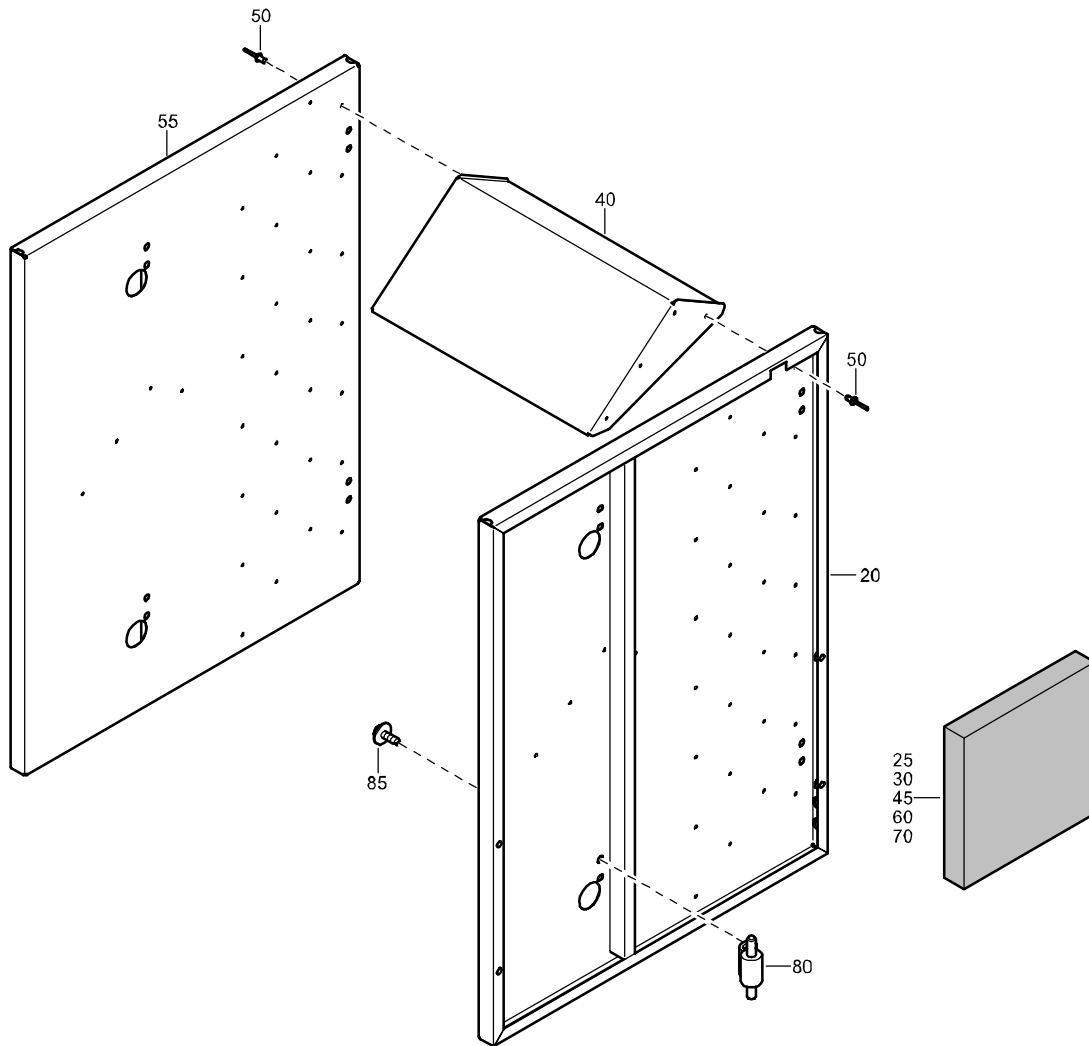


- Please note: If there is no response to CLICKING the link, please download this PDF first and then click on it.

CLICK HERE TO **DOWNLOAD** THE COMPLETE MANUAL

STANDARD

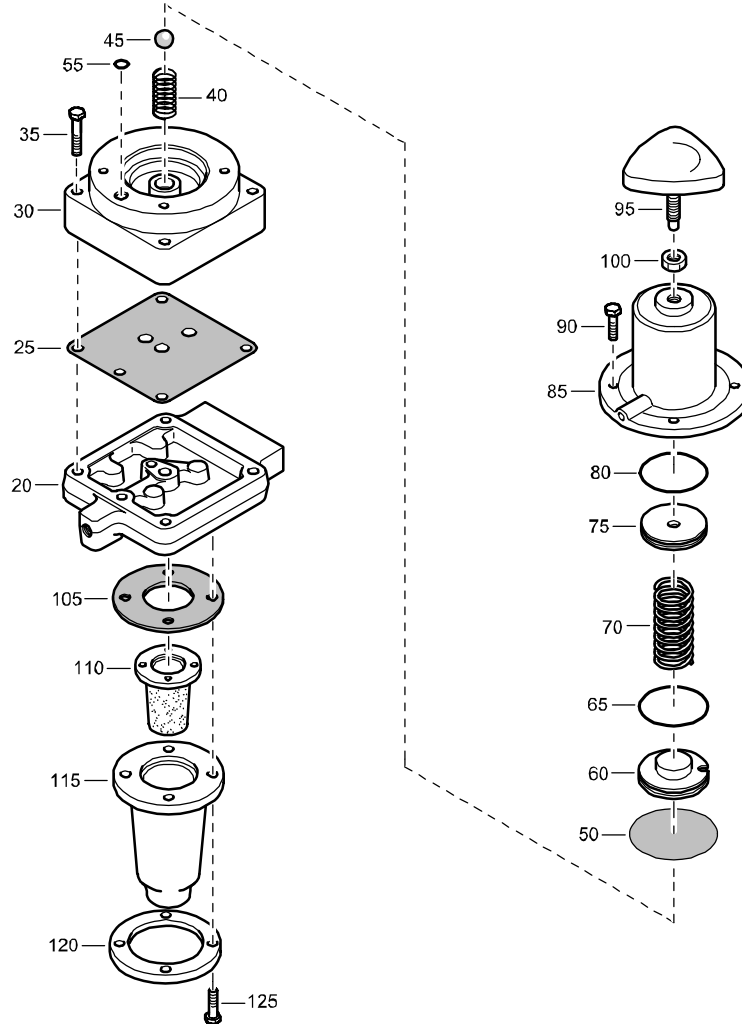
BAFFLE



REF	PART NUMBER	DESIGNATION	QTY	REF	PART NUMBER	DESIGNATION	QTY
-	1604 2658 82	BAFFLE	(From page 72)				
●20	1604 2658 02	PANEL	1				
●25	-	SILENCING FOAM	1				
●30	-	SILENCING FOAM	1				
●40	1604 2523 00	BAFFLE	8				
●45	-	SILENCING FOAM	8				
●50	0129 3270 30	BLIND RIVET	64				
●55	1604 2659 00	PANEL	1				
●60	-	SILENCING FOAM	1				
●70	-	SILENCING FOAM	1				
●80	1604 3434 00	SUPPORT	4				
●85	1615 5664 00	HEX. HEAD SCREW	8				
-	1079 0003 32	SILENCING FOAM 2000 mm x 1500 mm x 30 mm					
-	1079 0001 91	SILENCING FOAM 2000 mm x 1500 mm x 40 mm					
-	1079 0003 33	SILENCING FOAM 2000 mm x 1500 mm x 50 mm					

STANDARD

REGULATING VALVE



REF	PART NUMBER	DESIGNATION	QTY	REF	PART NUMBER	DESIGNATION	QTY
-	2252 0495 96	REGULATING VALVE(From page 75, 80, 81)		●90	0147 1247 03	HEX. HEAD SCREW	4
●20	2252 0495 00	BASE PLATE	1	●95	1604 4289 00	SCREW	1
●25	-	GASKET	1	●100	0268 4138 22	HEXAGON NUT	1
		(Part of service kit, see page 26)		●105	-	GASKET	1
●30	-	SEAT ASS'Y	1			(Part of service kit, see page 26)	
		(Not available separately)		●110	-	FILTER	1
●35	0147 1250 03	HEX. HEAD SCREW	4			(Part of service kit, see page 26)	
●40	-	SPRING	1	●115	-	FILTER HOUSING	1
		(Part of service kit, see page 26)				(Not available separately)	
●45	-	BEARING BALL	1	●120	2254 3391 00	RING	1
		(Part of service kit, see page 26)		●125	0147 1248 03	HEX. HEAD SCREW	4
●50	-	MEMBRANE	1				
		(Part of service kit, see page 26)					
●55	-	O-RING	1				
		(Part of service kit, see page 26)					
●60	2252 4058 00	SPRING GUIDE	1				
●65	-	O-RING	1				
		(Part of service kit, see page 26)					
●70	2255 0284 00	COMPR.SPRING	1				
●75	2252 4059 00	SPRING SEAT	1				
●80	-	O-RING	1				
		(Part of service kit, see page 26)					
●85	2252 4056 81	SPRING COVER	1				

STANDARD

COOLER ASSEMBLY

REF	PART NUMBER	DESIGNATION	QTY	REF	PART NUMBER	DESIGNATION	QTY
-	1604 2676 84	COOLER ASSY C9 T3 HP OND(From page 114)		●382	1604 2666 01	PLATE	1
●20	1604 7687 00	SUPPORT	1	●384	1604 2668 03	PLATE	1
●25	-	SILENCING FOAM	1	●386	1088 0801 33	GROMMET	1
●27	1615 7884 00	CLIP	4	●390	1615 5664 00	HEX. HEAD SCREW	11
●30	1604 7689 00	PAD	1	●440	1604 7548 00	PIPE	2
●40	1604 2679 02	OILCOOLER	1	●445	1615 5664 00	HEX. HEAD SCREW	4
●50	0196 1362 00	SET SCREW	2	●450	2252 6291 01	HOSE	4
●60	1604 2676 02	RADIATOR	1	●455	0347 6100 21	HOSE CLAMP	8
●A20	1604266201	CAP	1	●460	1604 2786 02	HOSE	2
●65	0196 1362 00	SET SCREW	2	●461	1604 2785 00	HOSE	2
●70	0075 4005 70	RUBBER TUBE	AR	●465	0347 6100 23	HOSE CLAMP	12
●75	0347 6110 00	HOSE CLAMP	2	●470	1604 2769 01	PIPE	2
●80	0661 1033 00	SEALING WASHER	1	●480	1604 7568 00	PIPE	1
●81	1604 2772 00	NIPPLE	1	●485	1604 7553 00	PIPE	1
●82	0661 1026 00	SEALING WASHER	1	●490	0663 3131 00	O-RING	2
●83	1604 7688 00	EXTENSION	1	●495	0246 1956 42	STUD	4
●85	1089 0659 53	LEVEL SWITCH	2	●500	0333 3232 00	LOCK WASHER	4
●86	0661 1023 00	SEALING WASHER	2	●505	0266 2111 00	HEXAGON NUT	4
●87	1615 9329 00	NIPPLE	2	●520	1604 2771 01	PLATE	2
●90	1604 2812 02	WIRING	1	●530	1615 5664 00	HEX. HEAD SCREW	4
●91	1088 0801 28	GROMMET	1	●535	1604 2496 00	GROMMET	2
●92	0129 3115 00	BLIND RIVET	4	●560	1604 7685 00	PLATE	1
●94	1088 1301 02	CABLE STRIP	5	●565	1615 5664 00	HEX. HEAD SCREW	3
●96	0348 0110 09	ANCHOR PLATE	4	●600	1619 5562 00	SEAL	AR
●97	0129 3115 00	BLIND RIVET	4				
●98	1088 1301 02	CABLE STRIP	4				
●100	1604 2499 01	INTERCOOLER	1				
●105	0196 1362 00	SET SCREW	2				
●113	1604 2496 00	GROMMET	1				
●114	1088 0801 40	GROMMET	1	-	1079 0003 32	SILENCING FOAM	
●115	1604 2672 03	BEAM	1			2000 mm x 1500 mm x 30 mm	
●116	-	SILENCING FOAM	1	-	1079 0001 91	SILENCING FOAM	
●117	-	SILENCING FOAM	1			2000 mm x 1500 mm x 40 mm	
●118	1615 7884 00	CLIP	7	-	1079 0003 33	SILENCING FOAM	
●120	1604 7686 00	BEAM	1			2000 mm x 1500 mm x 50 mm	
●125	-	SILENCING FOAM	1				
●127	1615 7884 00	CLIP	3				
●130	0147 1362 03	HEX. HEAD SCREW	6				
●140	0301 2344 00	PLAIN WASHER	6				
●145	1615 5664 00	HEX. HEAD SCREW	3				
●150	1604 2504 01	PLATE	1				
●151	-	SILENCING FOAM	1				
●153	1615 7884 00	CLIP	1				
●155	1615 5664 00	HEX. HEAD SCREW	9				
●170	1604 2503 01	PLATE	1				
●171	-	SILENCING FOAM	1				
●173	1615 7884 00	CLIP	1				
●175	1615 5664 00	HEX. HEAD SCREW	9				
●190	1604 2671 03	FAN COWL	1				
●191	-	SILENCING FOAM	1				
●192	-	SILENCING FOAM	1				
●193	-	SILENCING FOAM	1				
●194	-	SILENCING FOAM	1				
●195	1615 5664 00	HEX. HEAD SCREW	8				
●197	1615 7884 00	CLIP	8				
●210	1604 2797 01	PLATE	1				
●215	-	SILENCING FOAM	1				
●220	1604 2670 01	PLATE	1				
●221	-	SILENCING FOAM	1				
●223	1615 7884 00	CLIP	6				
●225	1615 5664 00	HEX. HEAD SCREW	12				
●260	1604 2707 01	COVER	2				
●261	-	SILENCING FOAM	2				
●263	1615 7884 00	CLIP	6				
●265	0147 1326 03	HEX. HEAD SCREW	6				
●267	0301 2335 00	PLAIN WASHER	6				
●270	0291 1110 00	LOCKNUT	6				
●275	1615 5664 00	HEX. HEAD SCREW	6				
●300	1604 2643 00	FAN GUARD	2				
●310	1615 5664 00	HEX. HEAD SCREW	8				
●350	0147 1323 03	HEX. HEAD SCREW	2				
●355	0301 2335 00	PLAIN WASHER	2				
●360	0291 1110 00	LOCKNUT	2				
●380	1604 2706 02	PLATE	1				

OPTIONS

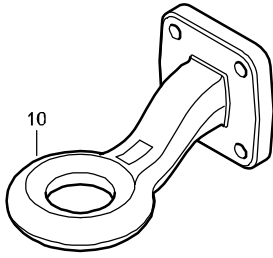
FUEL SYSTEM WAGON

REF	PART NUMBER	DESIGNATION	QTY	REF	PART NUMBER	DESIGNATION	QTY
25	1604 2492 02	SUPPORT	2	590	0347 6103 00	HOSE CLAMP	2
30	0147 1401 03	HEX. HEAD SCREW	2	600	1604 2466 92	FUELTANK ASSY	2
35	0301 2358 00	PLAIN WASHER	2			(For details see page 195)	
37	1604 1275 00	SEAL	AR	605	1604 2781 01	CONNECTION	1
40	1604 2473 00	SUPPORT	2	610	1604 2780 02	GASKET	2
45	0147 1377 03	HEX. HEAD SCREW	2	615	0147 1250 03	HEX. HEAD SCREW	4
47	0301 2344 00	PLAIN WASHER	4	620	0347 6108 00	HOSE CLAMP	1
50	0291 1111 00	LOCKNUT	2	625	0072 8403 16	HOSE	AR
51	0226 9920 14	LINK SCREW	2	630	1604 4399 01	MANIFOLD	1
52	0291 1111 00	LOCKNUT	2	640	1604 2779 01	CONNECTION	1
55	1604 2471 00	RETAINER	2	645	1604 2780 02	GASKET	1
60	0147 1343 03	HEX. HEAD SCREW	2				
65	0291 1110 00	LOCKNUT	2				
75	1604 2492 02	SUPPORT	2				
80	0147 1401 03	HEX. HEAD SCREW	2				
85	0301 2358 00	PLAIN WASHER	2				
90	1604 2473 00	SUPPORT	2				
95	0147 1377 03	HEX. HEAD SCREW	2				
97	0301 2344 00	PLAIN WASHER	4				
100	0291 1111 00	LOCKNUT	2				
101	0226 9920 14	LINK SCREW	2				
102	0291 1111 00	LOCKNUT	2				
105	1604 2471 00	RETAINER	2				
110	0147 1343 03	HEX. HEAD SCREW	2				
115	0291 1110 00	LOCKNUT	2				
120	1089 0659 03	LEVEL SENSOR	1				
125	0147 1212 03	HEX. HEAD SCREW	5				
130	0301 2318 00	PLAIN WASHER	5				
150	1604 7585 00	HOSE	1				
155	0347 6100 22	HOSE CLAMP	2				
210	1604 2582 00	GASKET	2				
215	1604 2583 00	HOSE ASSEMBLY	1				
220	0211 1249 03	HEX SOCK. SCREW	8				
225	0301 2321 00	PLAIN WASHER	8				
230	1604 2511 05	PROTECTION	1				
235	1615 5664 00	HEX. HEAD SCREW	4				
310	0099 9910 47	PLASTIC TUBE	AR				
315	0347 6108 00	HOSE CLAMP	2				
320	9000 0246 00	HOSE NIPPLE	1				
380	1604 2742 00	FUEL COOLER	1				
390	1615 5664 00	HEX. HEAD SCREW	3				
400	1604 4236 00	FUELFILTER	1				
415	0147 1363 03	HEX. HEAD SCREW	2				
420	0301 2344 00	PLAIN WASHER	2				
485	1079 5840 21	BUSHING	1				
490	0653 1128 00	FLAT GASKET	1				
495	0571 0020 43	HOSE NIPPLE	1				
500	0071 8403 01	FUEL HOSE	AR				
505	0347 6105 00	HOSE CLAMP	2				
520	0571 0020 40	HOSE NIPPLE	1				
525	0571 0020 40	HOSE NIPPLE	1				
530	0071 8403 01	FUEL HOSE	AR				
535	0347 6105 00	HOSE CLAMP	2				
540	0571 0020 42	HOSE NIPPLE	1				
550	1604 1384 00	HOSE NIPPLE	1				
560	0071 8402 90	FUEL HOSE	AR				
565	0347 6103 00	HOSE CLAMP	2				
570	1079 5840 28	HEXAGON NIPPLE	1				
575	0653 1100 00	FLAT GASKET	1				
580	1604 2799 00	ELBOW	1				
585	0071 8402 90	FUEL HOSE	AR				

OPTIONS

TOWING EYES NATO EYE, SWE EYE, ITA EYE

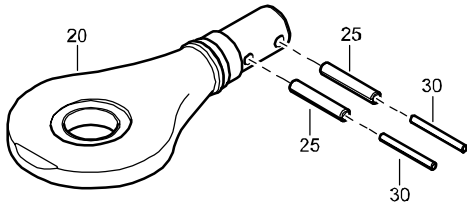
NATO EYE TANDEM



REF	PART NUMBER	DESIGNATION	QTY
10	1604 4729 00	TOWING EYE NATO	1

1611 7702 67/00

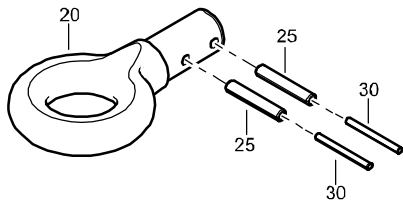
SWE EYE WAGON



REF	PART NUMBER	DESIGNATION	QTY
20	1604 4304 00	TOWING EYE	1
25	0108 1690 79	SPRING PIN	2
30	0108 1368 00	SPRING PIN	2

1611 7704 67/00

ITA EYE WAGON



REF	PART NUMBER	DESIGNATION	QTY
20	1604 2836 00	TOWING EYE ITA	1
25	0108 1690 79	SPRING PIN	2
30	0108 1368 00	SPRING PIN	2

1611 7705 67/00

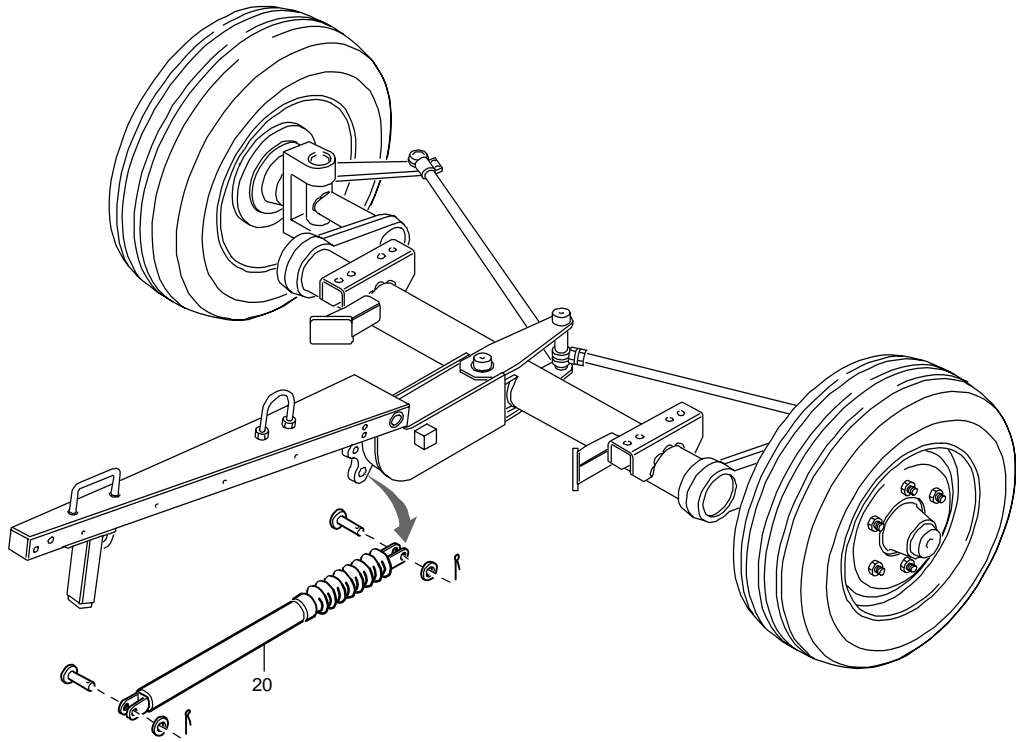
OPTIONS

UNDERCARRIAGE WITH AUTOMATIC BRAKING SYSTEM TANDEM

REF	PART NUMBER	DESIGNATION	QTY	REF	PART NUMBER	DESIGNATION	QTY
15	1604 4239 04	FRAME	1	461	0301 2335 00	PLAIN WASHER	2
20	1604 4526 00	AXLE (REAR)	1	462	0291 1110 00	LOCKNUT	2
25	0301 2378 00	PLAIN WASHER	8	470	0301 2335 00	PLAIN WASHER	8
30	0147 1958 96	HEX. HEAD SCREW	8	480	0291 1110 00	LOCKNUT	4
35	1604 3528 01	BRAKE CABLE	2	490	0147 1326 03	HEX. HEAD SCREW	4
50	1604 4526 00	AXLE (REAR)	1	500	1604 4704 00	STRIP	1
55	0301 2378 00	PLAIN WASHER	8	505	0147 1259 03	HEX. HEAD SCREW	2
60	0147 1958 96	HEX. HEAD SCREW	8	510	0301 2321 00	PLAIN WASHER	2
80	1604 4786 01	TOWBAR	1	580	0346 1000 17	PIPE CLAMP	24
90	0147 1962 89	HEX. HEAD SCREW	10	590	0147 1246 03	HEX. HEAD SCREW	24
95	0300 0274 96	PLAIN WASHER	4	600	0333 3220 00	LOCK WASHER	24
100	0300 0276 22	PLAIN WASHER	6	610	0266 2108 00	HEXAGON NUT	24
150	1615 9260 81	TYRE ASS'Y (For details see page 220)	4	650	0147 1327 03	HEX. HEAD SCREW	2
160	1079 9922 05	INFORMATION LABEL	2	660	0291 1110 00	LOCKNUT	2
200	1604 2808 05	SUPPORT	2	670	0301 2335 00	PLAIN WASHER	4
205	0301 2378 00	PLAIN WASHER	8	710	1604 4318 00	SEAL	AR
210	0147 1958 96	HEX. HEAD SCREW	8	720	1615 6478 01	BRACKET	1
230	0147 1465 03	HEX. HEAD SCREW	2	730	1615 5664 00	HEX. HEAD SCREW	1
235	0147 1962 18	HEX. HEAD SCREW	2	740	1615 5614 00	BRACKET	2
240	0301 2358 00	PLAIN WASHER	4	750	0147 1249 03	HEX. HEAD SCREW	2
260	1604 3588 00	PROTECTION	1	760	1604 3674 00	CABLE	1
262	1615 5664 00	HEX. HEAD SCREW	4	800	1604 4817 01	PLATE	2
263	-	SILENCING FOAM	1	810	0129 3110 00	BLIND RIVET	4
264	-	SILENCING FOAM	1	850	1604 4338 00	PROTECTION	1
265	1604 3589 00	PROTECTION	1	855	1615 5664 00	HEX. HEAD SCREW	2
267	1615 5664 00	HEX. HEAD SCREW	5				
268	-	SILENCING FOAM	1				
269	-	SILENCING FOAM	1				
270	1604 3590 00	PROTECTION	1				
275	1615 5664 00	HEX. HEAD SCREW	5	-	1079 0003 32	SILENCING FOAM 2000 mm x 1500 mm x 30 mm	
277	-	SILENCING FOAM	1				
278	-	SILENCING FOAM	1	-	1079 0001 91	SILENCING FOAM 2000 mm x 1500 mm x 40 mm	
280	1604 3587 00	PROTECTION	1				
285	1615 5664 00	HEX. HEAD SCREW	4	-	1079 0003 33	SILENCING FOAM 2000 mm x 1500 mm x 50 mm	
287	-	SILENCING FOAM	1				
288	-	SILENCING FOAM	1				
300	1604 3763 01	PLATE	2				
310	1619 2766 00	HEX. HEAD SCREW	6				
320	1604 4346 02	MUDGUARD	4				
330	1615 5664 00	HEX. HEAD SCREW	12				
340	1088 0801 53	GROMMET	1				
345	1604 4363 00	HOSE	AR				
347	1604 4364 00	HOSE	AR				
348	1604 4365 00	HOSE	AR				
350	1604 6397 00	BRAKE ABS (For details see page 218)	1				
355	1604 3350 00	SUPPORT	1				
360	1615 5664 00	HEX. HEAD SCREW	3				
370	1604 3351 00	CLAMP	1				
375	1615 5664 00	HEX. HEAD SCREW	2				
380	1604 4843 01	SUB FRAME	1				
390	1615 5664 00	HEX. HEAD SCREW	4				
400	0147 1245 03	HEX. HEAD SCREW	4				
405	0301 2321 00	PLAIN WASHER	4				
410	1604 4844 00	SUPPORT	1				
420	1615 5664 00	HEX. HEAD SCREW	4				
430	0147 1336 03	HEX. HEAD SCREW	4				
440	0301 2335 00	PLAIN WASHER	4				
450	0266 2110 00	HEXAGON NUT	4				
460	0147 1329 03	HEX. HEAD SCREW	2				

OPTIONS

LEVEL DEVICE



REF	PART NUMBER	DESIGNATION	QTY	REF	PART NUMBER	DESIGNATION	QTY
20	1615 5594 00	LEVEL DEVICE	1				

OPTIONS

AFTERCOOLER WITH WATERSEPARATOR & BYPASS

REF	PART NUMBER	DESIGNATION	QTY	REF	PART NUMBER	DESIGNATION	QTY
20	1604 4738 00	PIPE	1	480	1604 3364 02	SUPPORT	1
25	0301 2344 00	PLAIN WASHER	2	485	0147 1359 03	HEX. HEAD SCREW	2
27	0147 1362 03	HEX. HEAD SCREW	2	490	0301 2344 00	PLAIN WASHER	2
30	0634 1000 59	PIPE COUPLING	1	495	0147 1362 03	HEX. HEAD SCREW	2
32	1079 9902 55	LABEL	1	500	0301 2344 00	PLAIN WASHER	2
35	1604 4739 02	HOSE ASSEMBLY	1	505	0266 2111 00	HEXAGON NUT	2
36	0634 1000 84	PIPE COUPLING	1	510	0634 1000 59	PIPE COUPLING	1
37	1604 2126 01	BALL VALVE	1	520	1604 3361 01	MANIFOLD	1
38	0634 1000 84	PIPE COUPLING	1	525	0147 1362 03	HEX. HEAD SCREW	4
39	1604 7417 00	PIPE	1	530	0301 2344 00	PLAIN WASHER	4
40	0663 7141 00	O-RING	1	535	1089 0574 49	TEMP.SENSOR	1
45	0147 1403 03	HEX. HEAD SCREW	4	540	1089 9579 55	PRESSURE SENSOR	1
50	0301 2358 00	PLAIN WASHER	4	550	1604 3449 00	WIRE HARNESS	1
60	1604 3372 00	AFTERCOOLER HP	1	560	0852 0010 28	BALL VALVE	1
65	1604 3366 00	SUPPORT	1	565	0623 2100 09	BACKNUT	1
70	0147 1359 03	HEX. HEAD SCREW	4	590	1604 4760 00	SUPPORT	1
75	0301 2358 00	PLAIN WASHER	4	595	1615 5664 00	HEX. HEAD SCREW	2
80	0147 1362 03	HEX. HEAD SCREW	3	600	1604 3550 83	PANEL ASSY	1
85	0301 2344 00	PLAIN WASHER	3			(For details see page 206)	
90	1604 3365 04	SUPPORT	1	610	1615 5664 00	HEX. HEAD SCREW	2
95	0147 1359 03	HEX. HEAD SCREW	4	615	1604 3551 81	PANEL ASSY	1
100	0301 2344 00	PLAIN WASHER	4			(For details see page 207)	
110	1615 5664 00	HEX. HEAD SCREW	2	625	1615 5664 00	HEX. HEAD SCREW	7
115	0300 0274 91	PLAIN WASHER	1	630	1604 3552 02	SUPPORT	1
120	1604 4741 00	PIPE	1	635	1615 5664 00	HEX. HEAD SCREW	2
125	0663 7141 00	O-RING	1	650	1604 2689 83	PANEL ASSY	1
130	0147 1403 03	HEX. HEAD SCREW	4			(For details see page 199)	
135	0301 2358 00	PLAIN WASHER	4	655	1604 2454 87	DOOR ASSY	1
140	1615 8005 00	WATERSEPARATOR	1			(For details see page 89)	
145	1604 1591 02	GASKET	2	660	1604 2678 81	CORNER ASSY	1
165	0248 9980 52	THREADED ROD	2			(For details see page 196)	
170	0301 2358 00	PLAIN WASHER	4	670	1616 4615 00	NYLON BAND	1
175	0266 2112 00	HEXAGON NUT	8	675	0129 3101 00	BLIND RIVET	3
180	0653 1124 00	FLAT GASKET	1	680	0301 2318 00	PLAIN WASHER	3
181	0603 4200 38	HEXAGON NIPPLE	1	700	0634 1000 84	PIPE COUPLING	1
182	0653 1124 00	FLAT GASKET	1	705	1604 2126 01	BALL VALVE	1
183	0803 5010 10	STRAINER	1	710	1604 4736 01	LEVER	1
184	0653 1124 00	FLAT GASKET	1	715	0291 1113 00	LOCKNUT	1
185	0581 1200 27	ELBOW PIPE COUPLING	1	720	0634 1000 84	PIPE COUPLING	1
186	1604 6697 00	RESTRICTOR	1	725	1604 4740 00	PIPE	1
190	0575 0011 11	HOSE ASSEMBLY	1	730	0634 1000 84	PIPE COUPLING	1
192	0581 0000 53	STRAIGHT PIPE COUPLING	1				
193	0653 1124 00	FLAT GASKET	3				
195	1619 6153 04	BALL VALVE G1/2	"1				
200	1604 6660 00	PLATE HEATSHIELD	1				
201	0147 1362 03	HEX. HEAD SCREW	2				
202	0301 2344 00	PLAIN WASHER	2				
220	0661 1049 00	SEALING WASHER	1				
240	1612 0685 82	BLEEDER VALVE	1				
350	0372 4100 08	BOW SHACKLE	2				
355	0371 1100 21	LIFTING EYE	1				
360	0266 2111 00	HEXAGON NUT	1				
365	0333 3232 00	LOCK WASHER	1				
370	3163 1853 00	CHAIN	1				
375	3163 1853 00	CHAIN	1				
400	1613 0807 00	SUPPORT	2				
405	1615 5664 00	HEX. HEAD SCREW	1				
470	1604 3379 01	PIPE	1				
472	0634 1000 59	PIPE COUPLING	1				
475	1604 5112 00	PIPE	1				
477	1079 9902 55	LABEL	1				

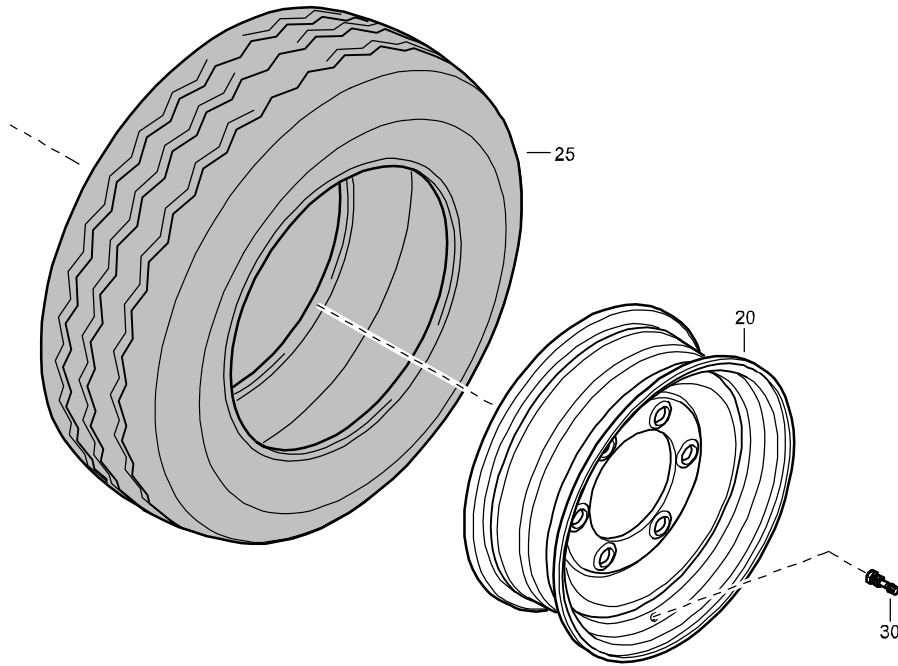
OPTIONS

AFTERCOOLER WITH WATERSEPARATOR - PD-QD FILTER & REHEATER

REF	PART NUMBER	DESIGNATION	QTY	REF	PART NUMBER	DESIGNATION	QTY
20	1604 3353 01	MANIFOLD	1	540	1089 9579 55	PRESSURE SENSOR	1
25	0686 3716 10	HEXAGON PLUG	1	550	1604 3449 00	WIRE HARNESS	1
27	0653 1254 00	FLAT GASKET	1	560	0852 0010 28	BALL VALVE	1
30	0634 1000 59	PIPE COUPLING	1	565	0623 2100 09	BACKNUT	1
35	1604 3354 01	PIPE	1	590	1604 4760 00	SUPPORT	1
40	0663 7141 00	O-RING	1	595	1615 5664 00	HEX. HEAD SCREW	2
45	0147 1403 03	HEX. HEAD SCREW	4	600	1604 3550 83	PANEL ASSY	1
50	0301 2358 00	PLAIN WASHER	4			(For details see page 206)	
60	1604 3372 00	AFTERCOOLER HP	1	610	1615 5664 00	HEX. HEAD SCREW	2
65	1604 3366 00	SUPPORT	1	615	1604 3551 81	PANEL ASSY	1
70	0147 1359 03	HEX. HEAD SCREW	4			(For details see page 207)	
75	0301 2344 00	PLAIN WASHER	4	625	1615 5664 00	HEX. HEAD SCREW	7
80	0147 1362 03	HEX. HEAD SCREW	3	626	1615 1789 00	BRACKET	1
85	0301 2344 00	PLAIN WASHER	3	630	1604 3552 02	SUPPORT	1
90	1604 3365 04	SUPPORT	1	635	1615 5664 00	HEX. HEAD SCREW	2
95	0147 1359 03	HEX. HEAD SCREW	4	650	1604 2689 83	PANEL ASSY	1
100	0301 2344 00	PLAIN WASHER	4			(For details see page 199)	
105	1615 5664 00	HEX. HEAD SCREW	3	652	1079 9923 18	LABEL	1
110	1615 5664 00	HEX. HEAD SCREW	2	655	1604 2454 87	DOOR ASSY	1
115	0300 0274 91	PLAIN WASHER	1			(For details see page 89)	
120	1604 3356 00	ELBOW	1	660	1604 2678 81	CORNER ASSY	1
125	0663 7141 00	O-RING	1			(For details see page 196)	
130	0147 1403 03	HEX. HEAD SCREW	4	662	0686 9252 69	PROTECTION PLUG	1
135	0301 2358 00	PLAIN WASHER	4	670	1616 4615 00	NYLON BAND	1
140	1615 8005 00	WATERSEPARATOR	1	675	0129 3101 00	BLIND RIVET	3
145	1604 1591 02	GASKET	2	680	0301 2318 00	PLAIN WASHER	3
150	1604 3373 00	PD FILTER	1	690	0653 1124 00	FLAT GASKET	1
		(For details see page 202)		695	0686 3716 02	HEXAGON PLUG	1
155	1604 1591 02	GASKET	1	700	1604 3384 00	ADAPTER	1
160	1604 3374 00	QD FILTER	1	701	0147 1372 03	HEX. HEAD SCREW	3
		(For details see page 203)		702	0266 2111 00	HEXAGON NUT	3
162	1604 1591 02	GASKET	1	705	0661 1056 00	SEALING WASHER	1
165	0248 9979 62	THREADED ROD	2	709	1604 2690 00	BRACKET	2
170	0301 2358 00	PLAIN WASHER	4	710	1079 5840 06	HEXAGON NIPPLE	1
175	0266 2112 00	HEXAGON NUT	8	711	1619 2861 01	PIPE CLAMP	2
180	0653 1124 00	FLAT GASKET	1	712	0147 1327 03	HEX. HEAD SCREW	2
181	0603 4200 38	HEXAGON NIPPLE	1	713	0333 3227 00	LOCK WASHER	2
182	0653 1124 00	FLAT GASKET	1	714	0266 2110 00	HEXAGON NUT	2
183	0803 5010 10	STRAINER	1	715	1604 3368 04	HOSE ASSEMBLY	1
184	0653 1124 00	FLAT GASKET	1	716	1619 2861 01	PIPE CLAMP	4
185	0581 1200 27	ELBOW PIPE COUPLING	1	717	0147 1327 03	HEX. HEAD SCREW	2
186	1604 6697 00	RESTRICTOR	1	718	0333 3227 00	LOCK WASHER	2
190	0070 6002 06	PLASTIC TUBE	AR	719	0266 2110 00	HEXAGON NUT	2
192	0581 0000 53	STRAIGHT PIPE COUPLING	1	720	1079 5840 06	HEXAGON NIPPLE	2
193	0653 1124 00	FLAT GASKET	3	721	0246 1956 42	STUD	4
194	0560 0200 29	ELBOW	1	722	0301 2344 00	PLAIN WASHER	4
195	9090 0510 00	SILENCER	1	723	0266 2111 00	HEXAGON NUT	4
200	1604 6660 00	PLATE HEATSHIELD	1	725	0661 1056 00	SEALING WASHER	1
201	0147 1362 03	HEX. HEAD SCREW	2	726	1079 9902 55	LABEL	1
202	0301 2344 00	PLAIN WASHER	2	727	1604 3359 02	REHEATER	1
220	0661 1049 00	SEALING WASHER	1	728	0663 3132 00	O-RING	2
240	1612 0685 82	BLEEDER VALVE	1	729	0623 2100 12	BACKNUT	1
250	0653 1062 00	FLAT GASKET	1	730	1604 7228 00	PIPE	1
255	0581 0060 00	STRAIGHT PIPE COUPLING	1	731	1604 4727 00	3-WAY VALVE	1
275	1604 4725 00	TUBE	1	732	1604 4732 01	PIPE	1
277	1503 1056 00	SEAL	AR	733	1604 4733 01	HOSE ASSEMBLY	1
280	0653 1062 00	FLAT GASKET	1	735	1604 3367 03	HOSE ASSEMBLY	1
285	0581 0060 00	STRAIGHT PIPE COUPLING	1	736	1619 2861 01	PIPE CLAMP	1
305	1604 4725 00	TUBE	1	737	0147 1322 03	HEX. HEAD SCREW	1
307	1503 1056 00	SEAL	AR	738	0333 3227 00	LOCK WASHER	1
350	0372 4100 08	BOW SHACKLE	2	739	0266 2110 00	HEXAGON NUT	1
355	0371 1100 21	LIFTING EYE	1	740	1079 5840 06	HEXAGON NIPPLE	1
360	0266 2111 00	HEXAGON NUT	1	745	0661 1056 00	SEALING WASHER	1
365	0333 3232 00	LOCK WASHER	1	750	0663 9868 00	O-RING	2
370	3163 1853 00	CHAIN	1	752	0211 1364 00	HEX SOCK. SCREW	3
375	3163 1853 00	CHAIN	1	755	1604 3585 00	ADAPTER	1
400	1613 0807 00	SUPPORT	2	758	0147 1375 03	HEX. HEAD SCREW	3
405	1615 5664 00	HEX. HEAD SCREW	1	760	1604 3377 02	HOSE ASSEMBLY	1
470	1604 3357 01	PIPE	1	765	1604 3362 00	SUPPORT	1
472	0634 1000 59	PIPE COUPLING	1	770	0147 1322 03	HEX. HEAD SCREW	2
475	1604 5111 00	PIPE	1	775	0301 2335 00	PLAIN WASHER	2
477	1079 9902 55	LABEL	1	780	0147 1362 03	HEX. HEAD SCREW	2
480	1604 3364 02	SUPPORT	1	785	0301 2344 00	PLAIN WASHER	2
485	0147 1359 03	HEX. HEAD SCREW	2	790	1604 3363 01	SUPPORT	1
490	0301 2344 00	PLAIN WASHER	2	795	0147 1322 03	HEX. HEAD SCREW	2
495	0147 1362 03	HEX. HEAD SCREW	2	800	0301 2335 00	PLAIN WASHER	2
500	0301 2344 00	PLAIN WASHER	2	805	0147 1362 03	HEX. HEAD SCREW	2
505	0266 2111 00	HEXAGON NUT	2	810	0301 2344 00	PLAIN WASHER	2
510	0634 1000 59	PIPE COUPLING	1	815	1604 3360 01	PIPE	1
520	1604 3361 01	MANIFOLD	1	820	0634 1000 59	PIPE COUPLING	2
525	0147 1362 03	HEX. HEAD SCREW	4	830	1604 3375 02	HOSE ASSEMBLY	1
530	0301 2344 00	PLAIN WASHER	4	835	1604 3376 02	HOSE ASSEMBLY	1
535	1089 0574 49	TEMP.SENSOR	1				

OPTIONS

TYRE ASSEMBLY



REF	PART NUMBER	DESIGNATION	QTY	REF	PART NUMBER	DESIGNATION	QTY
-	1604 2794 80	TYRE ASSY				(From page 154, 156, 158)	
•20	1604 2794 00	RIM	1				
•25	0380 0000 09	TYRE	1				
•30	1604 2795 00	VALVE	1				

OPTIONS

AUTOMATIC BRAKING SYSTEM WAGON

REF	PART NUMBER	DESIGNATION	QTY	REF	PART NUMBER	DESIGNATION	QTY
-	1604 3668 02	BRAKE ABS				(From page 152)	
•20	1604 4802 00	BRAKE CHAMBER ASSY FRONT	4				
•40	1604 4804 00	MODULATOR ASSY REAR	2				
•50	1604 4805 00	MODULATOR ASSY FRONT	1				
•60	1604 4806 00	RELAY EMERGENCY VALVE ASSY	1				
•70	1604 4807 00	VESSEL ASSY	1				
•80	1604 4808 01	COUPLING ASSY BRAKE SIGNAL	1				
•90	1604 4809 01	COUPLING ASSY BRAKE SIGNAL	1				
•100	1604 4810 01	BRAKE SYSTEM	1				
		(For details see page 222)					

CLICK HERE TO **DOWNLOAD** THE COMPLETE MANUAL

- Thank you very much for reading the preview of the manual.
- You can download the complete manual from: www.heydownloads.com by clicking the link below



- Please note: If there is no response to CLICKING the link, please download this PDF first and then click on it.

CLICK HERE TO **DOWNLOAD** THE COMPLETE MANUAL