

Parts List
for Portable Generator
English

QAX 60 Dd

Engine BF04M2011C

CLICK HERE TO **DOWNLOAD** THE COMPLETE MANUAL

- Thank you very much for reading the preview of the manual.
- You can download the complete manual from: www.heydownloads.com by clicking the link below



- Please note: If there is no response to CLICKING the link, please download this PDF first and then click on it.

CLICK HERE TO **DOWNLOAD** THE COMPLETE MANUAL

0.6 TOOL APPLICATIONS SAFETY

Apply the proper tool for each job. With the knowledge of correct tool use and knowing the limitations of tools, along with some common sense, many accidents can be prevented.

Special service tools are available for specific jobs and should be used when recommended. The use of these tools will save time and prevent damage to parts.

0.7 SPECIFIC SAFETY PRECAUTIONS

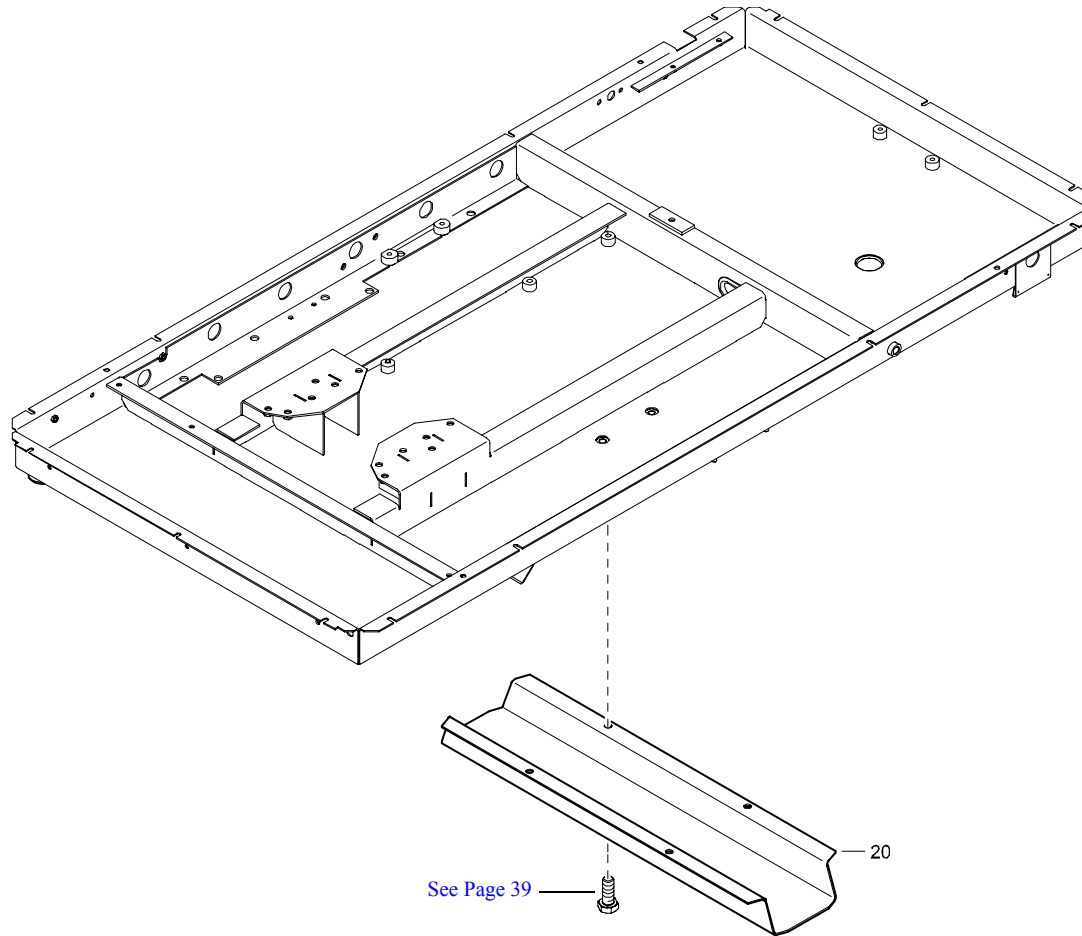
Batteries

When servicing batteries, always wear protecting clothing and glasses.

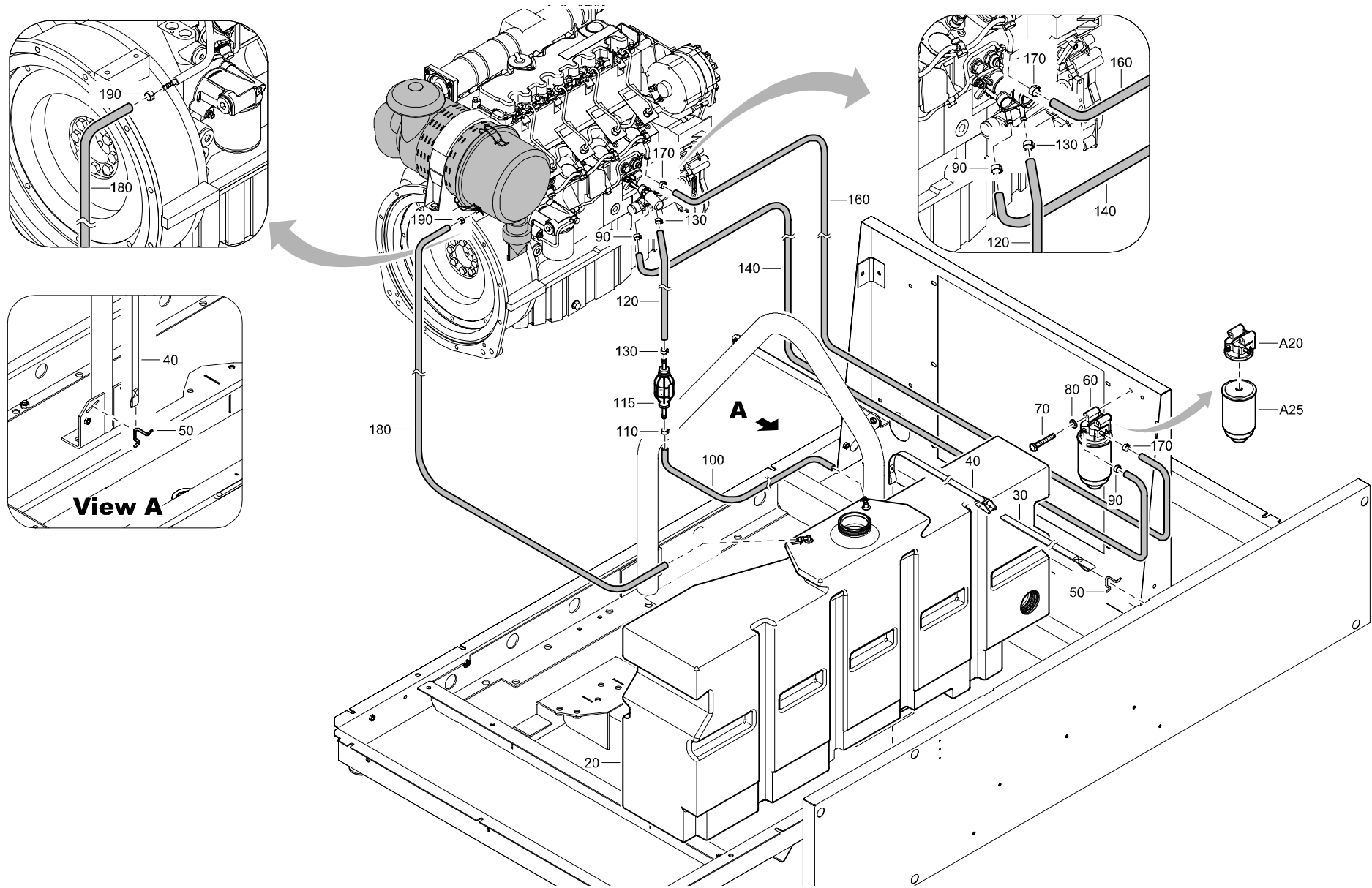
- 1 The electrolyte in batteries is a sulphuric acid solution which is fatal if it hits your eyes, and which can cause burns if it contacts your skin. Therefore, be careful when handling batteries, e.g. when checking the charge condition.
- 2 Install a sign prohibiting fire, open flame and smoking at the post where batteries are being charged.
- 3 When batteries are being charged, an explosive gas mixture forms in the cells and might escape through the vent holes in the plugs. Thus an explosive atmosphere may form around the battery if ventilation is poor, and can remain in and around the battery for several hours after it has been charged. Therefore:
 - never smoke near batteries being, or having recently been, charged,
 - never break live circuits at battery terminals, because a spark usually occurs.
- 4 When connecting an auxiliary battery (AB) in parallel to the unit battery (CB) with booster cables: connect the + pole of AB to the + pole of CB, then connect the - pole of CB to the mass of the unit. Disconnect in the reverse order.

FORKLIFT SLOTS - STANDARD

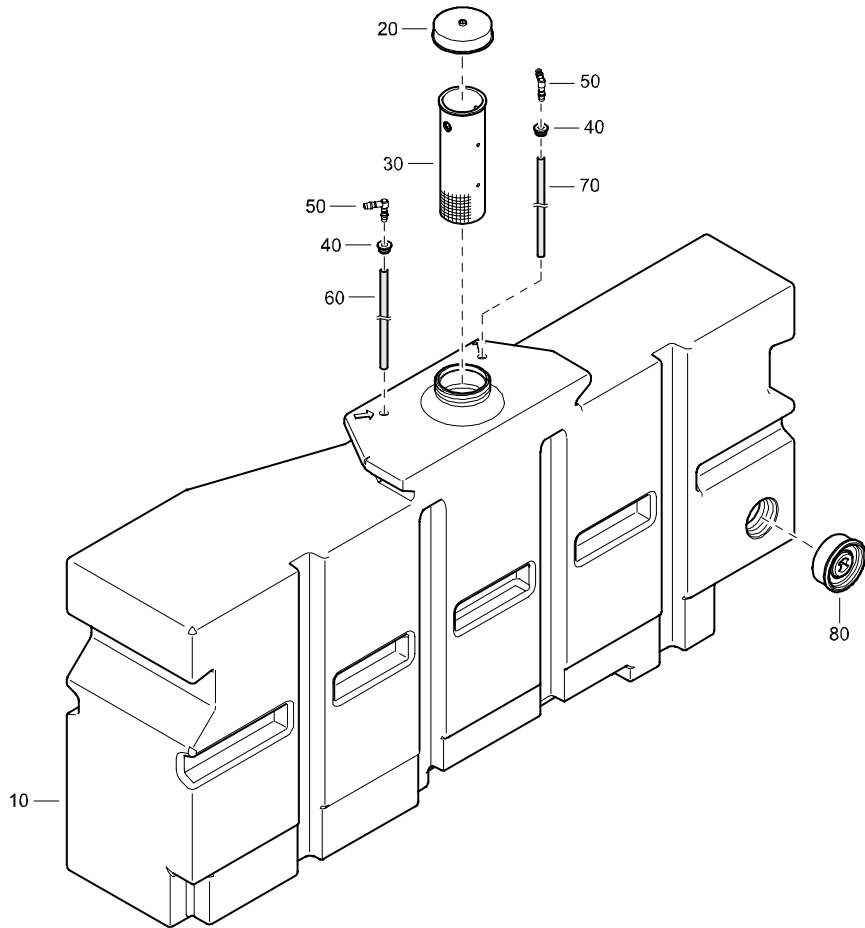
REF	PART NUMBER	DESIGNATION	QTY
20	1626 2017 00	PLATE	2



FUEL SYSTEM - STANDARD

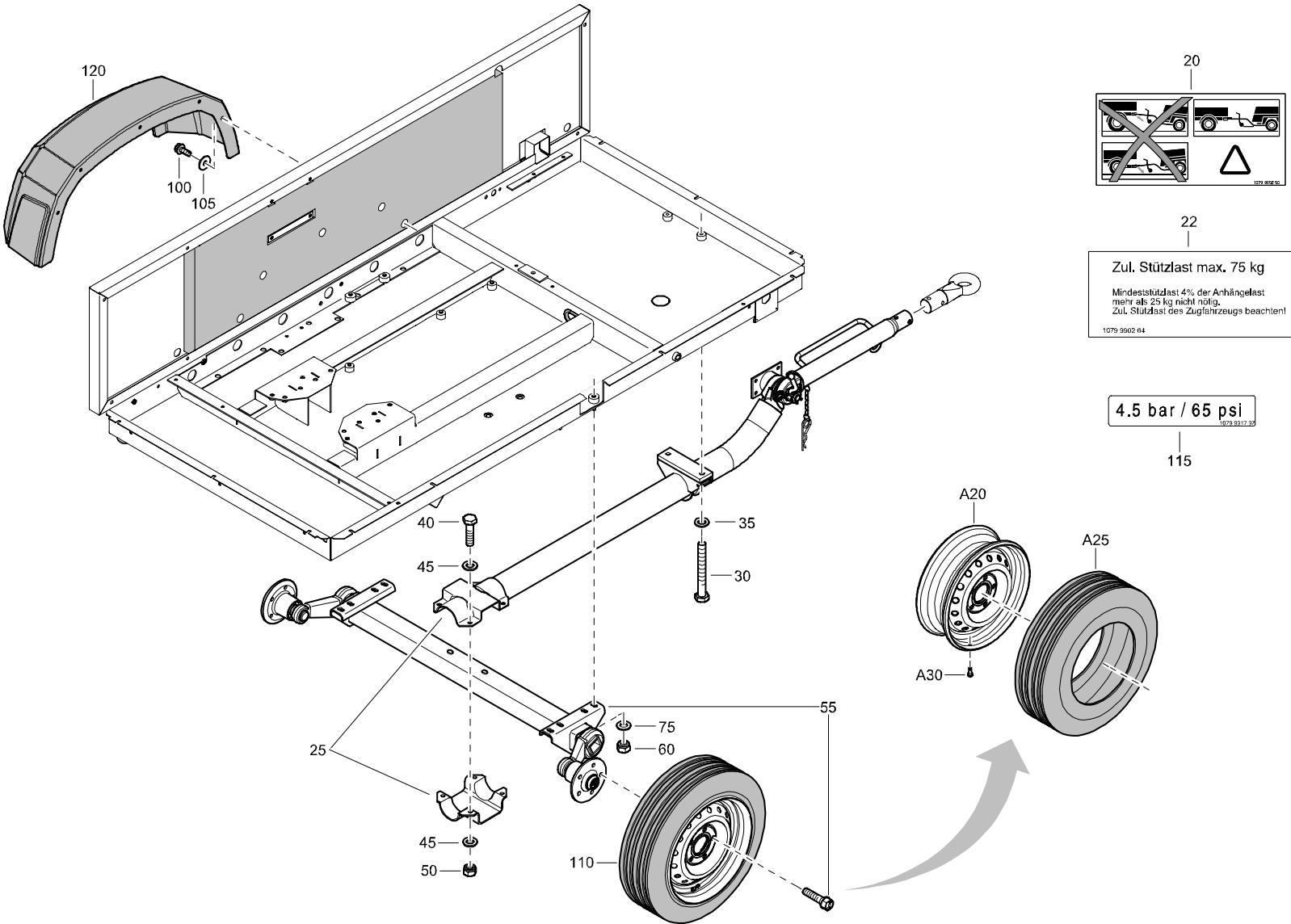


FUELTANK - STANDARD

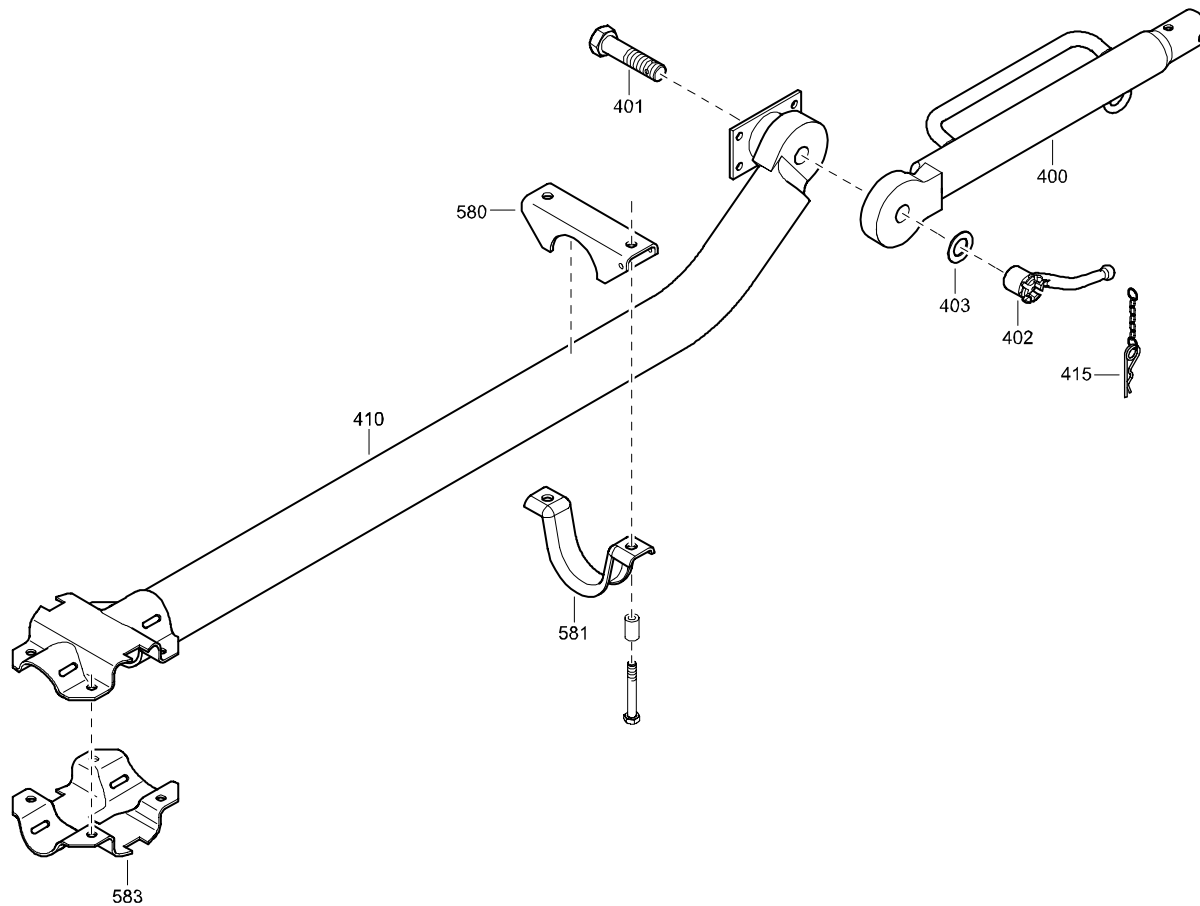


REF	PART NUMBER	DESIGNATION	QTY
-	1626 2368 80	TANK FUEL	(From page 34)
•10	1626 2368 00	TANK FUEL	1
•20	1615 7653 02	CAP	1
•30	1615 7654 00	STRAINER	1
•40	1615 6652 00	GROMMET	2
•50	1615 6651 00	ADAPTOR	2
•60	0070 6002 15	PLASTIC TUBE	AR
•70	0070 6002 15	PLASTIC TUBE	AR
•80	1615 5577 00	PLUG	1

UNDERCARRIAGE - FOR COMPRESSOR WITH FIXED TOWBAR WITHOUT BRAKES - OPTIONS



FIXED TOWBAR - WITHOUT BRAKES - OPTIONS



REF	PART NUMBER	DESIGNATION	QTY
-	1626 0462 02	TOWBAR FIXED	(From page 56)
•400	2914 2359 00	HOUSING	1
•401	2914 2342 00	BOLT	1
•402	2914 2289 00	TOMMY NUT	1
•403	2914 2345 00	RING	1
•410	2914 2506 00	TOWBAR HOUSING	1
•415	2900 0836 00	CLIP	1
•580	2914 2507 00	CLAMP	1
•581	1202 8960 00	CLAMP	1
•583	2914 2508 00	CLAMP	1

CLICK HERE TO **DOWNLOAD** THE COMPLETE MANUAL

- Thank you very much for reading the preview of the manual.
- You can download the complete manual from: www.heydownloads.com by clicking the link below



- Please note: If there is no response to CLICKING the link, please download this PDF first and then click on it.

CLICK HERE TO **DOWNLOAD** THE COMPLETE MANUAL