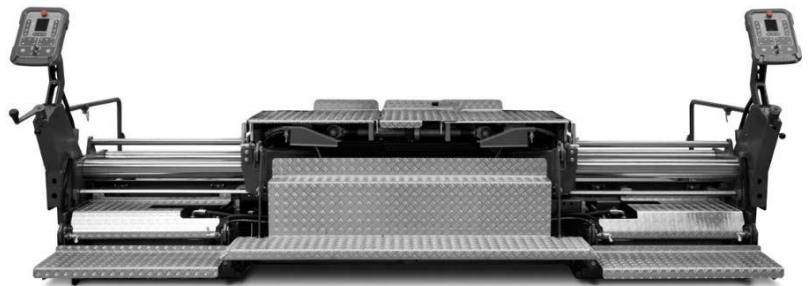


Spare parts catalogue

STV 3500 E



Book ID: 3102967

CLICK HERE TO **DOWNLOAD** THE COMPLETE MANUAL

- Thank you very much for reading the preview of the manual.
- You can download the complete manual from: www.heydownloads.com by clicking the link below

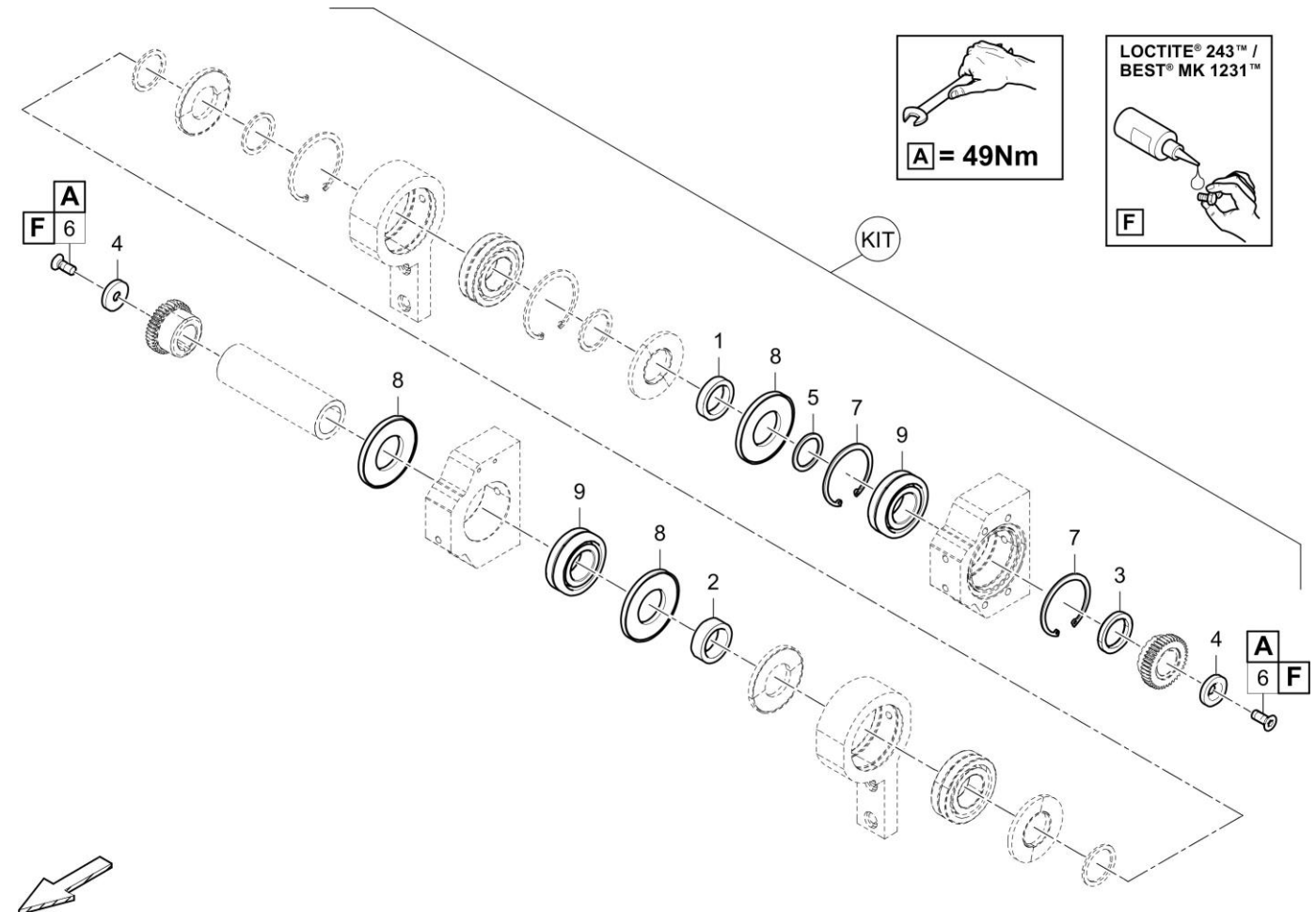


- Please note: If there is no response to CLICKING the link, please download this PDF first and then click on it.

CLICK HERE TO **DOWNLOAD** THE COMPLETE MANUAL

Tamper drive, r.h.	
40-4812012813A Tamper drive, l.h.	74
Footplate	
40-4812018503 Footplate	75
Vibration	
40-4812014377B Vibration	76
Extension mount AT300, TV E r.h.	
40-4812201848 Extension mount AT300, TVE r.h.	78
Hood	
40-4812016982 Hood	See page 68
Electric heating, AT300	
40-4812014141 Electric heating, AT300	See page 69
Electric, extension mount	
40-4812018026 Electric	83
Housing ATL	
40-4812017964 Housing ATR	84
Harness	
40-4812012882 Harness W7	85
Tamper drive, r.h.	
40-4812012841A Tamper drive, r.h.	86
Footplate	
40-4812018503 Footplate	See page 75
Vibration	
40-4812014377B Vibration	See page 76
40-4812017744 Connection cable, con W18	
40-4812017744 Electric W18	89
Protection and trim plates, V / TV valid from s/n 3102554, 3102573, ff	
Protection and trim plates, TV	
40-4812200921A Protection and trim plates, TV	90
Kit, hood	
40-4812023730 Kit, hood	92
Hood extension, l.h.	
40-4812016884 Hood extension, l.h.	93
Hood extension, r.h.	
40-4812016857 Hood extension, r.h.	94
Kit, guide plate	
40-4812061203 Kit, guide plate	See page 12
Screed plates, V3500TV-E	
40-4812215143 Screed plates	See page 3
Tamper, valid from s/n 3102413, 2423, 2437, 2487, ff	
40-4812201958 Tamper drive	97
Hydr. tamper	

Service, repair and wear part kits - TV-E 40-4812017386 Bearing kit tamper drive

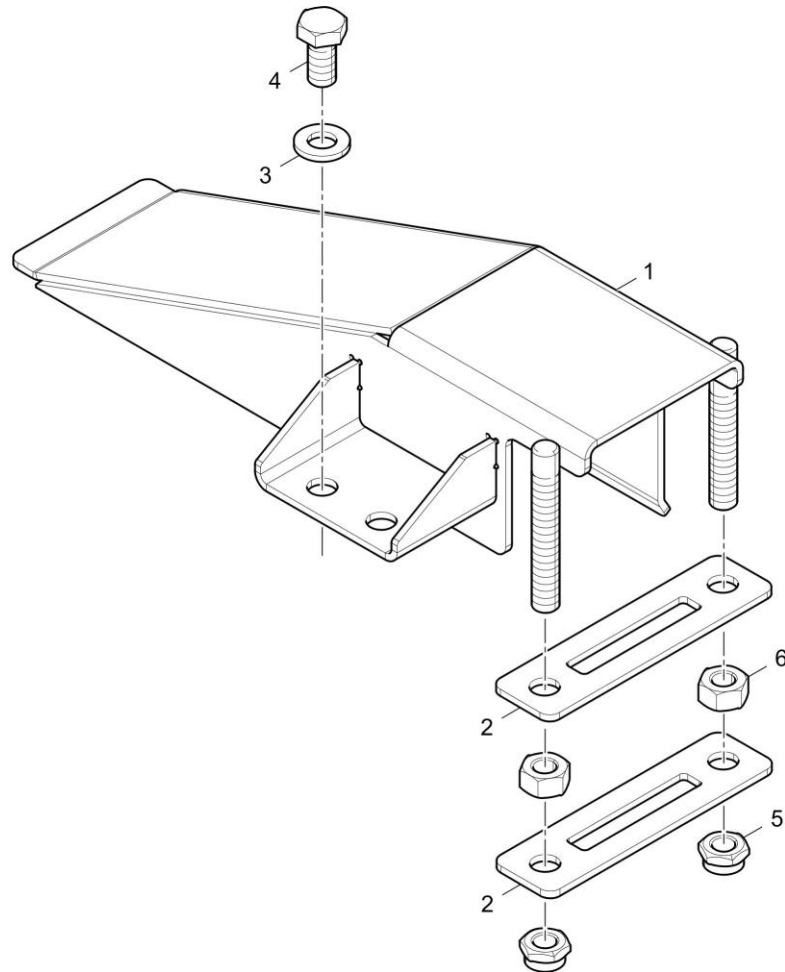


Item	Part No.	Name	Qty	L	C	SN INFO
KIT	40-4812017386	Bearing kit tamper drive	1			
1	40-4812013285	Spacer	1			
2	40-4812014111	Spacer	1			
3	40-4812014264	Spacer	1			
4	40-4812012350	Washer	2			
5	40-D932120750	Shim washer	1			
6	40-0216195773	Countersunk screw	2			
7	40-D936029651	Circlip	2			
8	40-4812011338	Packing	3			
9	40-4812011215	Bearing	2			

Refer to Parts Online for the most up to date information. The printed information might be outdated.

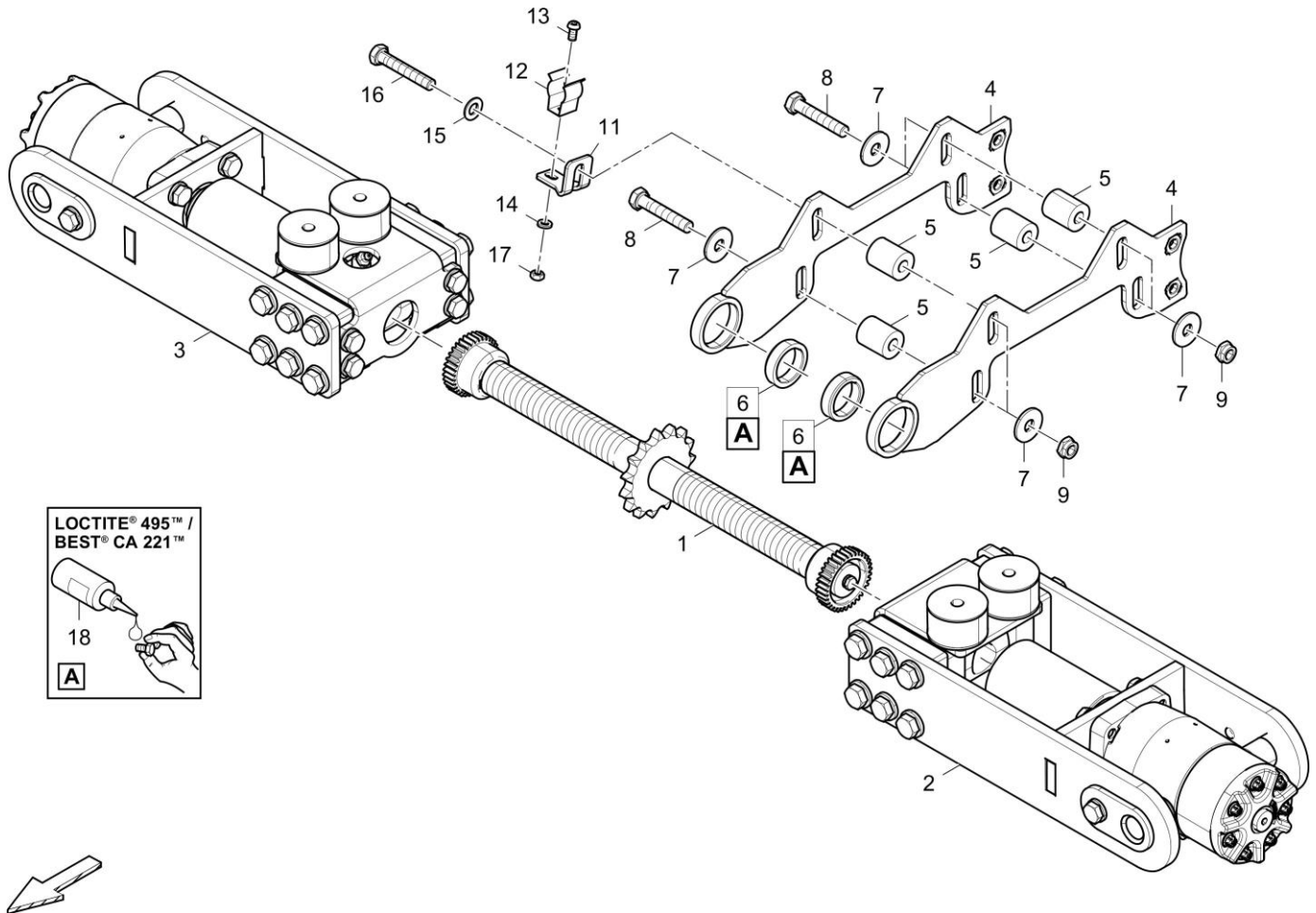
Thu Jul 23 04:07:28 UTC 2020

Item	Part No.	Name	Qty	L	C	SN INFO
18	40-4812013929	Insulation	2			
19	40-4812013926	Insulation	2			
20	40-4812015648	Insulation	2			
21	40-4812201719	Clamping plate	2			
22	40-4812201723	Clamping plate	2			
23	40-4812019789	Washer	8			
24	40-4812014129	Flat steel	4			
25	40-0333310050	Lock washer	38			
26	40-4749901860	Washer	4			
27	40-0301235800	Plain washer(A) 13 x 24 x 2.5	8			
28	40-0300013026	Flat washer	12			
29	40-0147124603	Screw	4			
30	40-0147132003	Hex. head screw	2			
31	40-0147132203	Hexagon head screw	4			
32	40-0147132303	Hexagon bolt	28			
33	40-0147132503	Hex. Head screw M8 x 25	12			
34	40-0211124703	Hex sock. screw	12			
35	40-0215000621	Hexagon socket button head screw	8			
36	40-0266211000	Hexagon nut	16			
37	40-0261211400	Hexagon nut	8			
38	40-4749302455	Clamp	3			
39	40-4749300518	Clamp	3			
40	40-4812012673	Pipe clamp	8			
41	40-4812071229	Pipe clamp	4			
42	40-4747400034	Thread locking, 250ml	1			

Hose guide, l.h. 40-4812015308 Hose guide, l.h.

Item	Part No.	Name	Qty	L	C	SN INFO
1	40-4812015309	Hose guide, l.h.	1			
2	40-4812015318	Hose clamp	2			
3	40-0333310051	Lock washer	2			
4	40-0147136003	Screw cap	2			
5	40-5541396800	Hexagon nut	2			
6	40-0266211100	Nut hexagon	2			

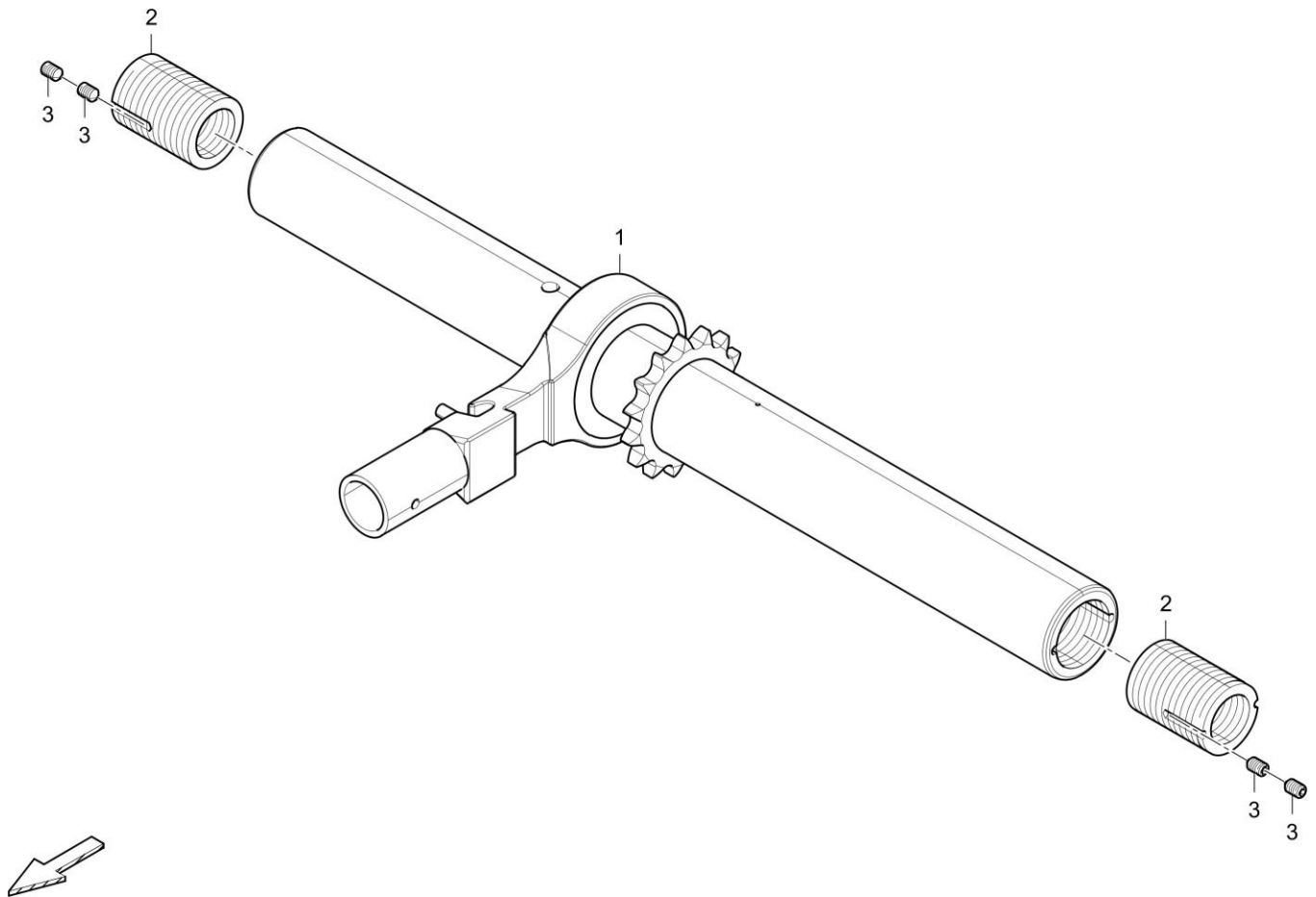
Item	Part No.	Name	Qty	L	C	SN INFO
19	40-4812215359	Circlip	4			
20	40-4812016885	Rubber buffer	2			
21	40-D614142700	Rubber buffer	4			
22	40-4812040367	Locking bar	6			
23	40-4812216225	Rubber buffer	2			

40-4812018247 Roof profile 40-4812018247 Roof profile

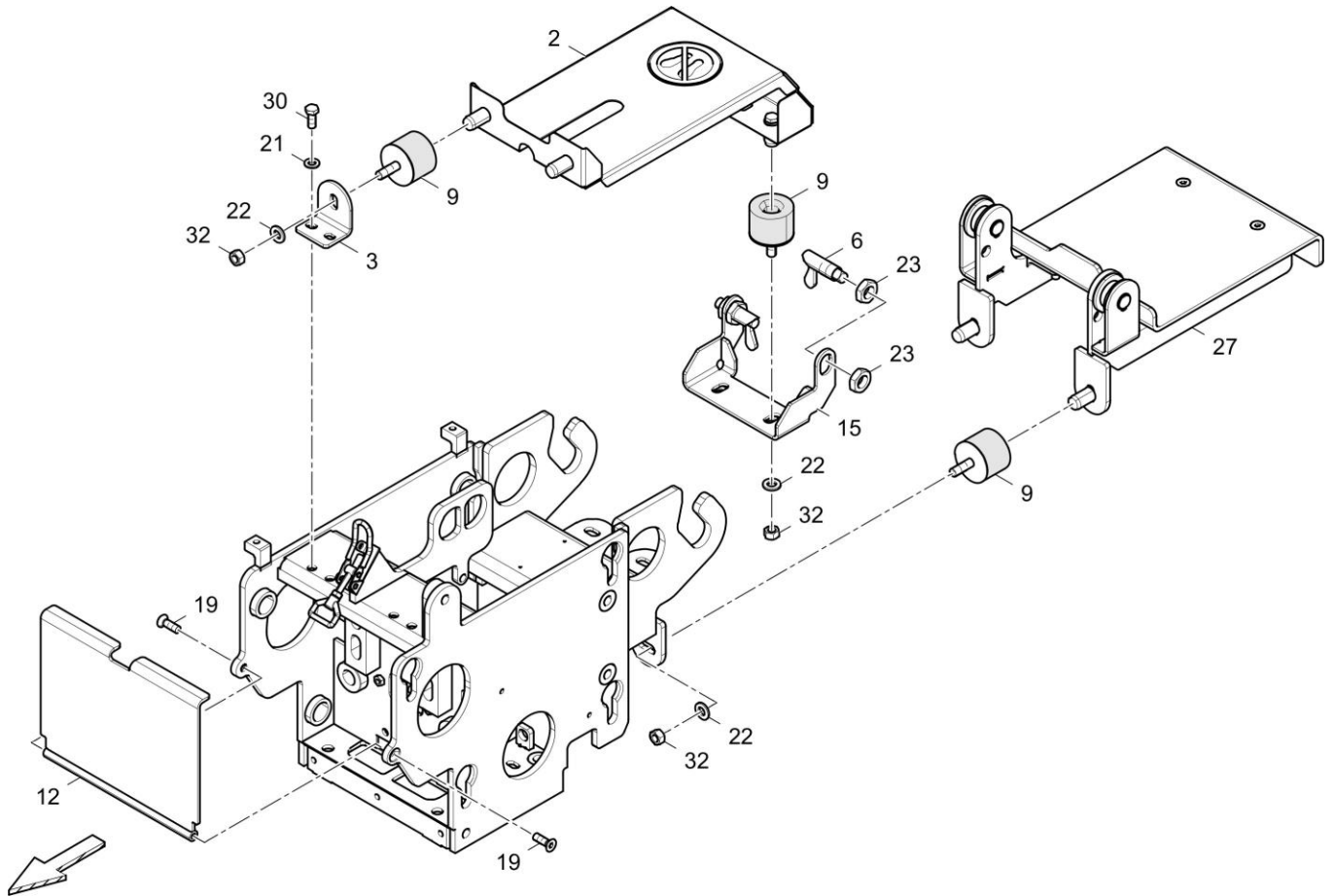
Item	Part No.	Name	Qty	L	C	SN INFO
1	40-4812012496	Drive shaft	1			
2	40-4812018249	Carrier, l.h.	1			
3	40-4812018250	Carrier, r.h.	1			
4	40-4812018257	Track adjuster	2			
5	40-4812018259	Friction bearing	4			
6	40-4812015123	Bushing	2			
7	40-0300013038	Flat washer	7			
8	40-0147136803	Hexagon bolt	3			
9	40-5541396800	Hexagon nut	4			
11	40-4812018324	Holder plate	1			
12	40-4812009597	Clasp	1			
13	40-0215000621	Hexagon socket button head screw	1			
14	40-0333310055	Washer	1			
15	40-0302127405	Washer	1			
16	40-0147136912	Hex. head screw M10x60mm, (2.36")	1			
17	40-5730015118	Hexagon nut	1			

Refer to Parts Online for the most up to date information. The printed information might be outdated.

Thu Jul 23 04:07:53 UTC 2020

40-4812018201 Top con rod, back 40-4812018202 Top con rod, back

Item	Part No.	Name	Qty	L	C	SN INFO
1	40-4812018203	Top con rod	1			
2	40-D606030902	Bushing	2			
3	40-4749900236	Threaded pin	8			

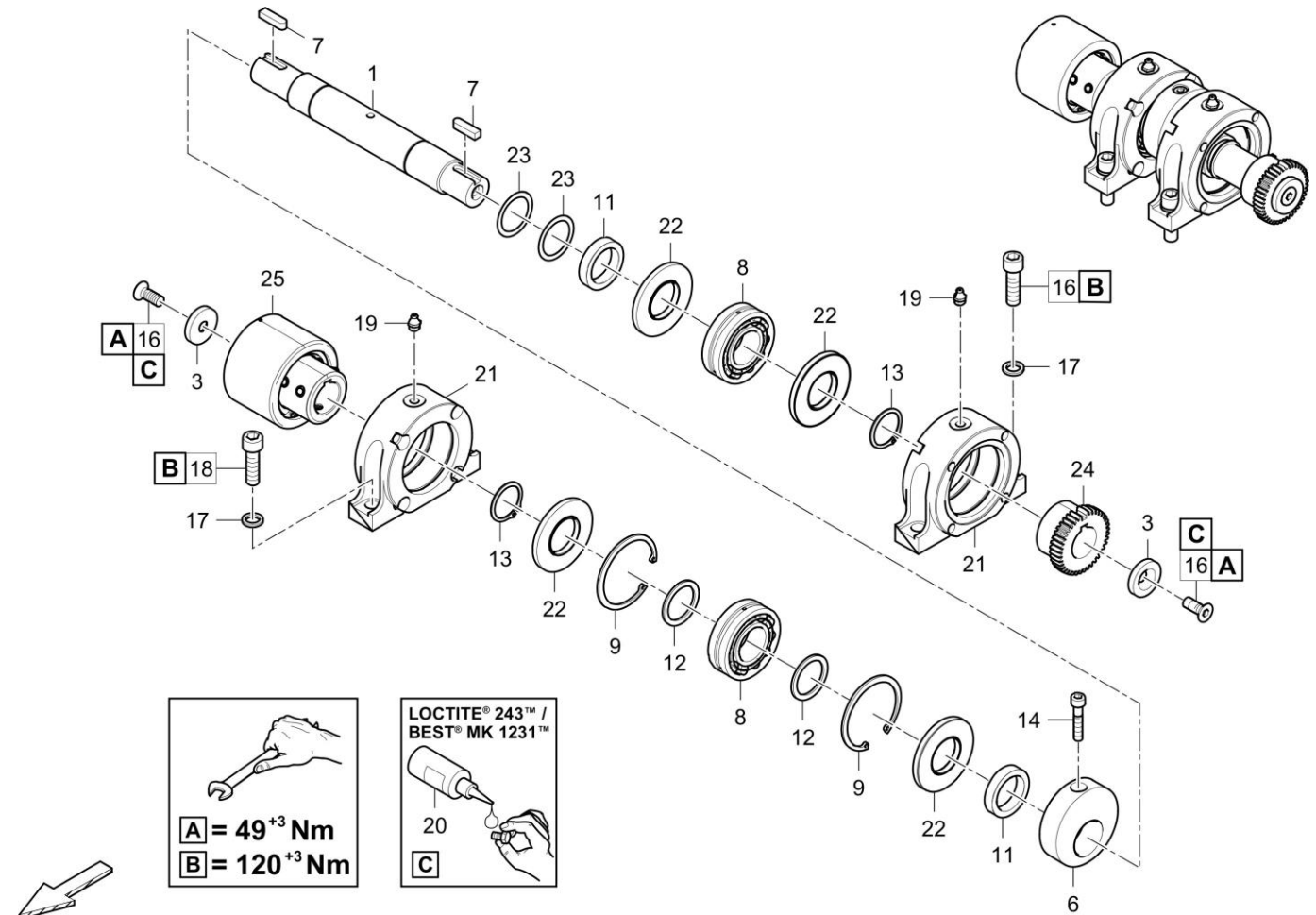


Item	Part No.	Name	Qty	L	C	SN INFO
1	40-4812013197	Extension mount, AT300, l.h.	1			
2	40-4812016982	Hood	1			
3	40-4812015161	Angle	2			
4	40-4812200922	Adjusting screw	2			
5	40-4812014141	Electric heating, AT300	1			
6	40-4812040367	Locking bar	2			
7	40-4812014416	Threaded pin	2			
8	40-4812012903	Screed plate	1			
9	40-D614142700	Rubber buffer	6			
10	40-D930284510	Conical washer	2			
11	40-D930298317	Washer	2			
12	40-4812023490	Guard plate	1			
13	40-4812061723	Guard plate, below, l.h.	1			
14	40-4812018013	Electric	1			
15	40-4812018514	Stop bolt holder	1			
16	40-4812012854	Wear plate	1			
17	40-0261109941	Hexagon nut	2			

Refer to Parts Online for the most up to date information. The printed information might be outdated.

Thu Jul 23 04:08:08 UTC 2020

Vibration 40-4812014377B Vibration

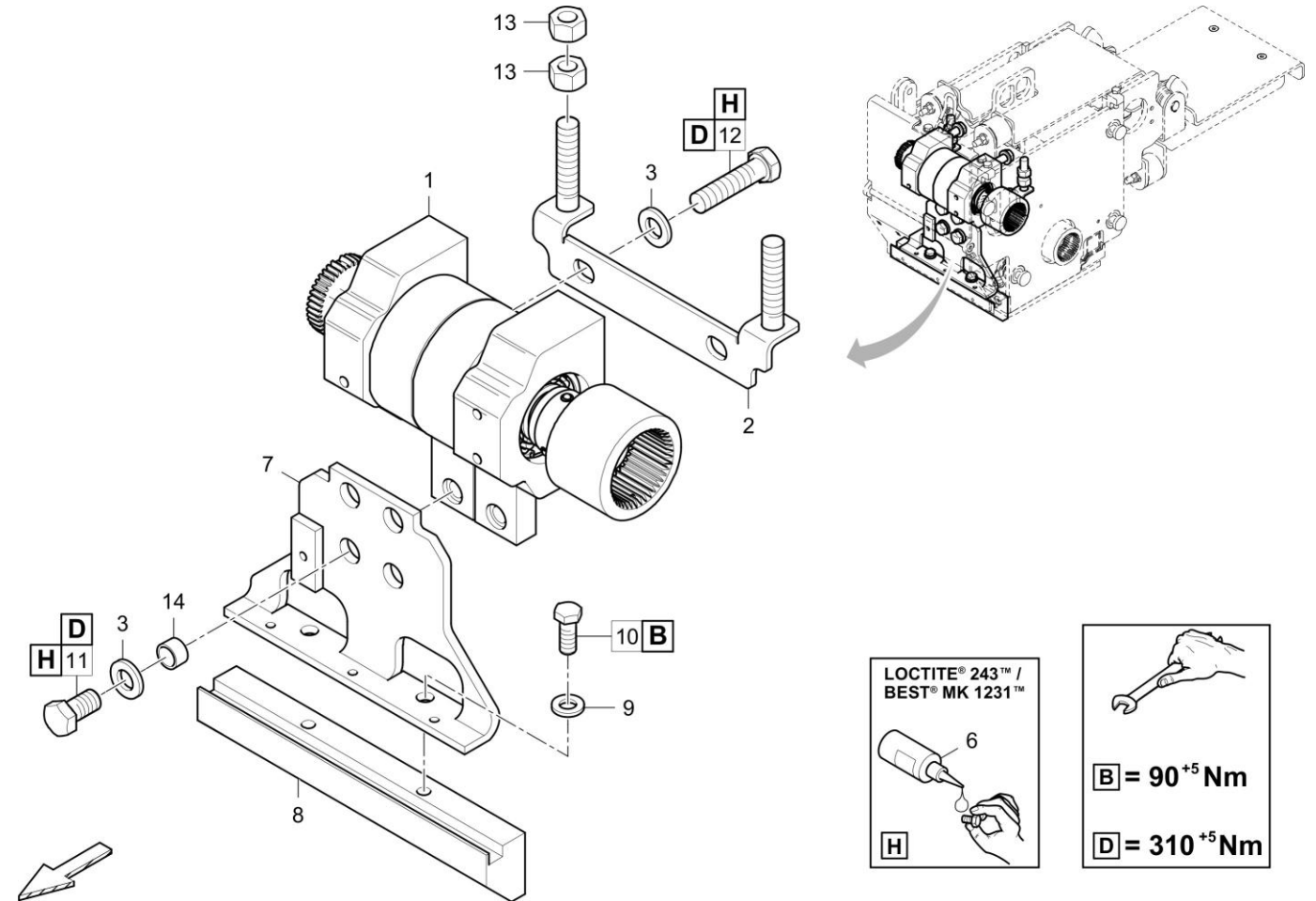


Item	Part No.	Name	Qty	L	C	SN INFO
1	40-4812014378	Shaft	1			
3	40-4812012350	Washer	2			
6	40-4812014379	Kinetic energy mass	1			
7	40-D931720739	Feather key	2			
8	40-4812011215	Bearing	2			
9	40-D936029651	Circlip	2			
11	40-4812013285	Spacer	2			
12	40-D932120750	Shim washer	2			
13	40-D936002194	Circlip	2			
14	40-0211132803	Hex sock. screw	1			
16	40-0216195773	Countersunk screw	2			
17	40-4749901808	Washer	4			
18	40-0211110332	Screw	4			
19	40-D935511210	Grease nipple	2			
20	40-4747400034	Thread locking, 250ml	1			
21	40-4812019075	Bearing support	2			

Refer to Parts Online for the most up to date information. The printed information might be outdated.

Thu Jul 23 04:08:14 UTC 2020

Tamper drive, r.h. 40-4812012841A Tamper drive, r.h.



Item	Part No.	Name	Qty	L	C	SN INFO
1	40-4812012842B	Tamper drive, r.h.	1			
2	40-4812012709	Brace	1			
3	40-0333310049	Lock washer	8			
6	40-4747400034	Thread locking, 250ml	1			
7	40-4812012691	Tamper frame	1			
8	40-4812012695	Tamper bar	1			
9	40-0333310052	Flat washer	2			
10	40-0147140103	Screw M12X30	2			
11	40-0147147503	Hex bolt	4			
12	40-5730007013	Hexagon head screw	4			
13	40-0266211400	Hexagon nut M16	4			
14	40-4749302339	Bushing	4			

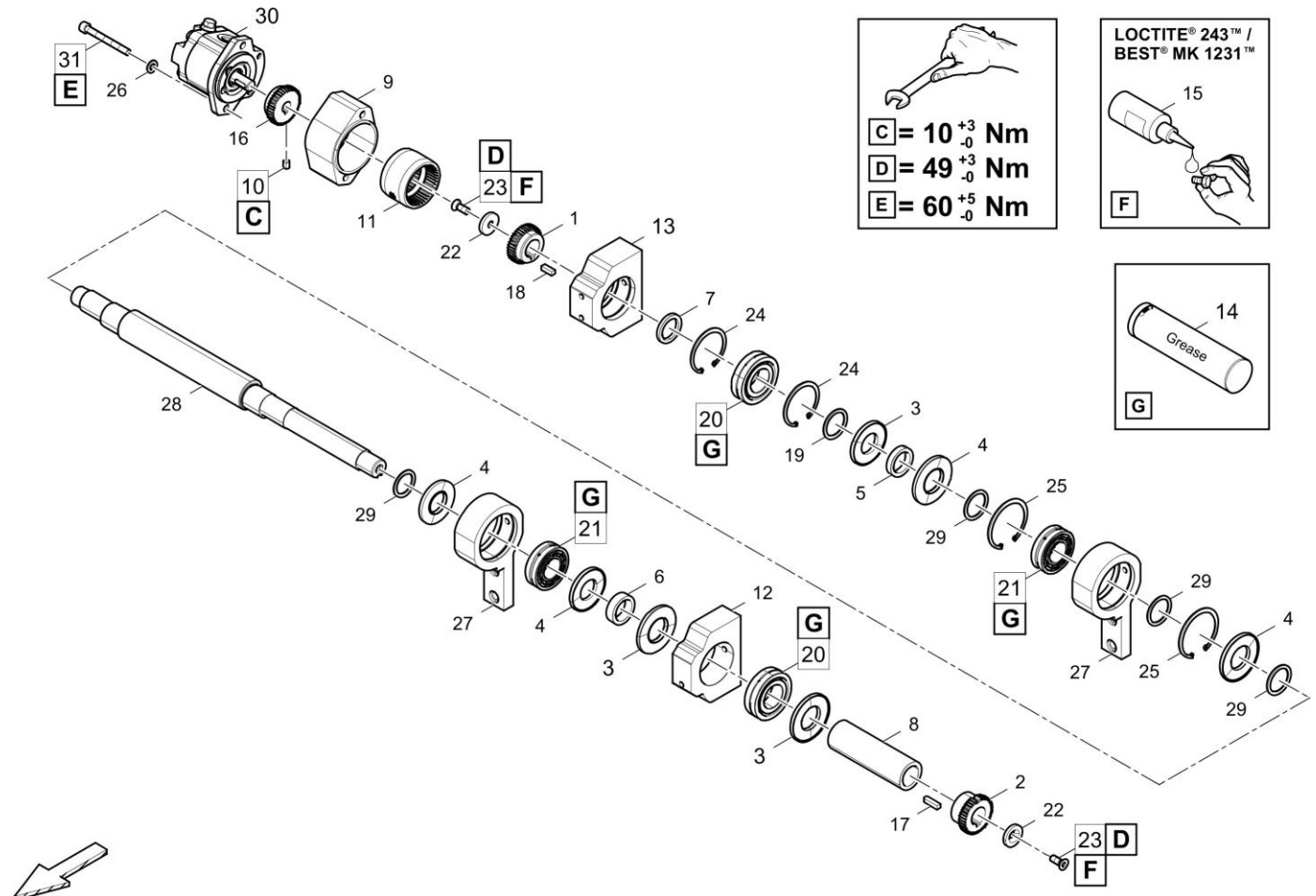
Refer to Parts Online for the most up to date information. The printed information might be outdated.

Thu Jul 23 04:08:18 UTC 2020

Referenced Pages

40-4812215143 Screed plates.....3

Tamper drive VT, l.h. 40-4812202010 Tamper drive VT, l.h.

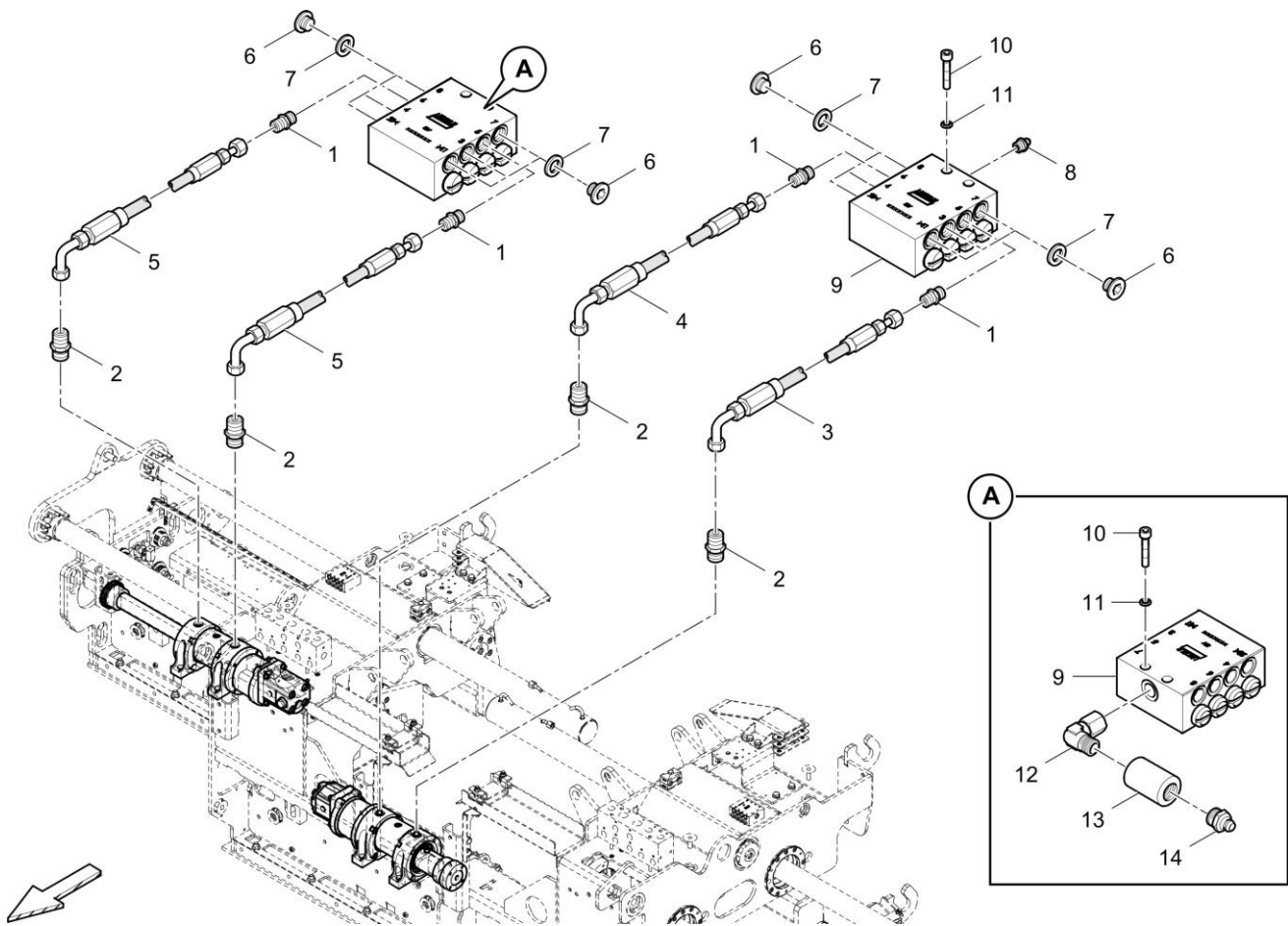


Item	Part No.	Name	Qty	L	C	SN INFO
1	40-4812014287	Coupling piece	1			
2	40-4812019250	Coupling piece	1			
3	40-4812019069	Packing	3			
4	40-4749302735	Sealing moulded product	4			
5	40-4812013285	Spacer	1			
6	40-4812019061	Spacer	1			
7	40-4812014264	Spacer	1			
8	40-4812019063	Spacer	1			
9	40-4812227162	Housing	1			
10	40-4749900612	Threaded pin	1			
11	40-4812044123	Sleeve	1			
12	40-4812013251	Bearing support	1			
13	40-4812013278	Bearing support	1			
14	40-4812161897	Paver Grease / 1 cartridge	1			
15	40-4747400034	Thread locking, 250ml	1			
16	40-4812013279	Hub	1			

Refer to Parts Online for the most up to date information. The printed information might be outdated.

Thu Jul 23 04:08:29 UTC 2020

40-4812014295 Vibration 40-4812015247 Central lubrication



Refer to Parts Online for the most up to date information. The printed information might be outdated.

Thu Jul 23 04:08:36 UTC 2020

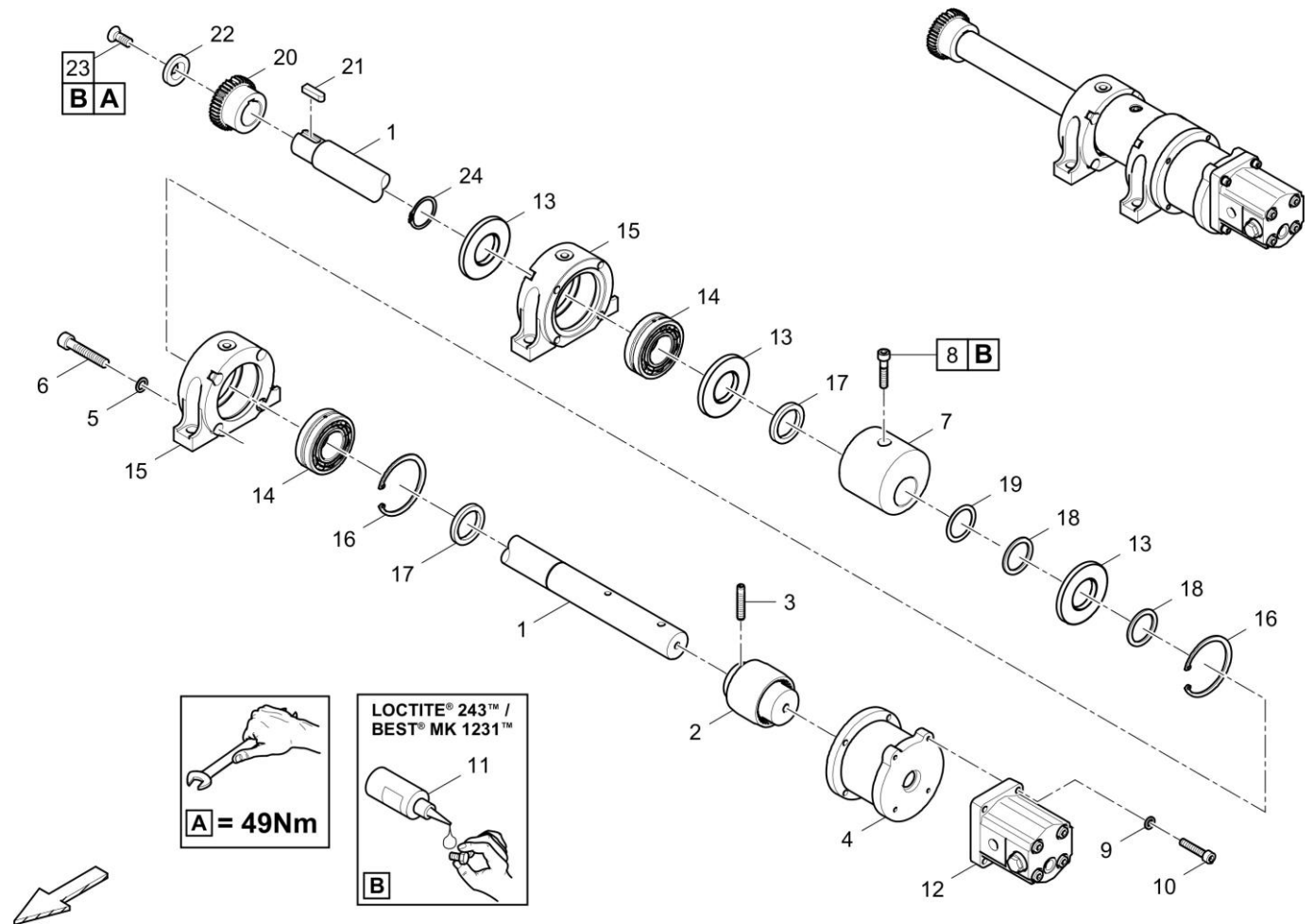
CLICK HERE TO **DOWNLOAD** THE COMPLETE MANUAL

- Thank you very much for reading the preview of the manual.
- You can download the complete manual from: www.heydownloads.com by clicking the link below



- Please note: If there is no response to CLICKING the link, please download this PDF first and then click on it.

CLICK HERE TO **DOWNLOAD** THE COMPLETE MANUAL

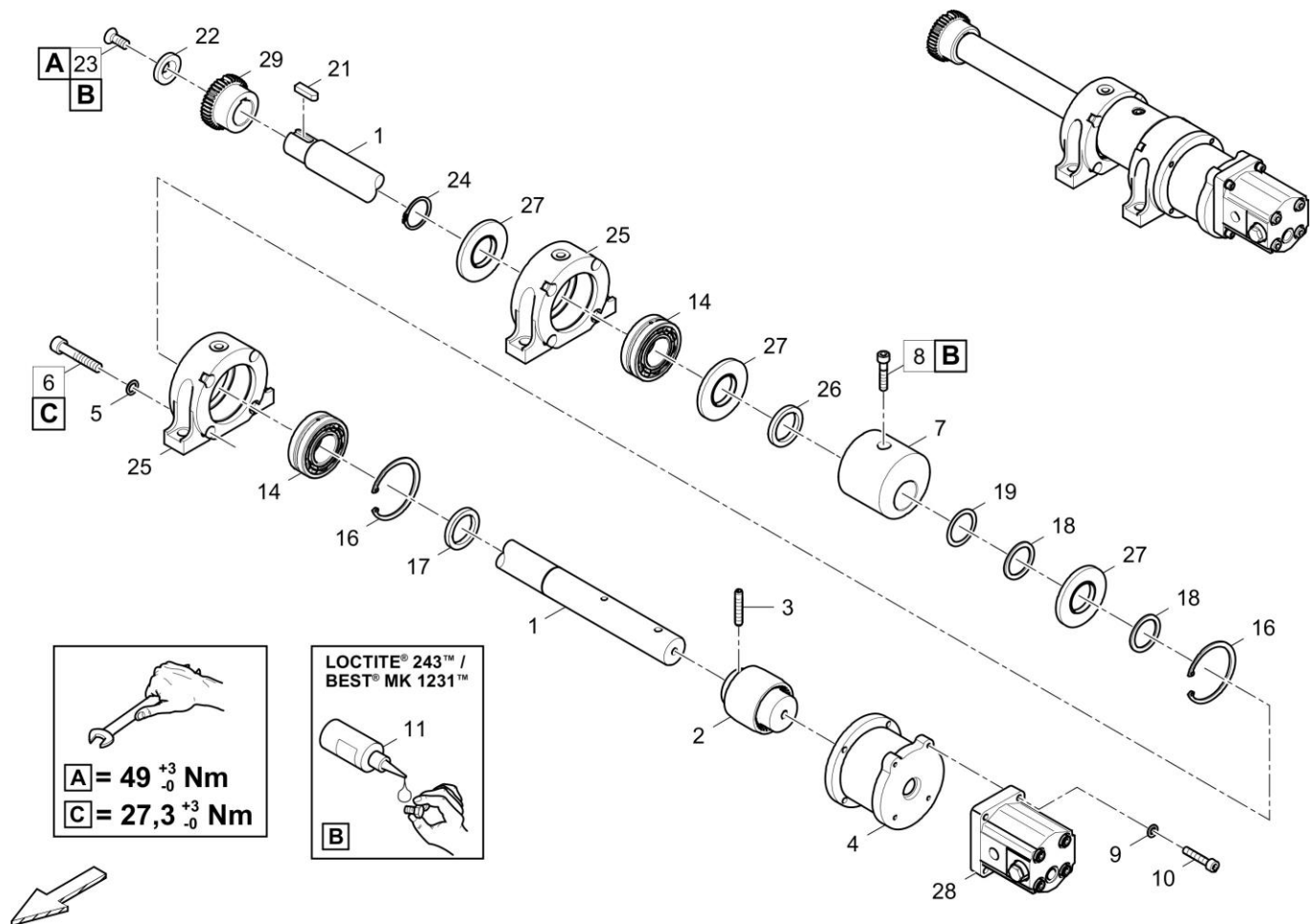
40-4812016088 Kit, vibration 40-4812017286 Vibration extension, r.h.

Item	Part No.	Name	Qty	L	C	SN INFO
1	40-4812014316	Shaft	1			
2	40-4812011930	Coupler	1			
3	40-D931501125	Dowel pin	1			
4	40-4812012893	Bell housing	1			
5	40-0333310036	Schnorr-lock washer	4			
6	40-4700508057	Screw	4			
7	40-4812014321	Kinetic energy mass	1			
8	40-0211132803	Hex sock. screw	1			
9	40-4749901860	Washer	4			
10	40-0211125003	Screw, M6x30, 8.8	4			
11	40-4747400034	Thread locking, 250ml	1			

Refer to Parts Online for the most up to date information. The printed information might be outdated.

Thu Jul 23 04:08:42 UTC 2020

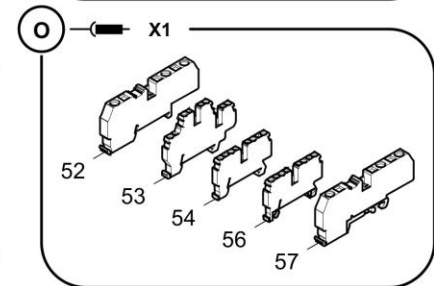
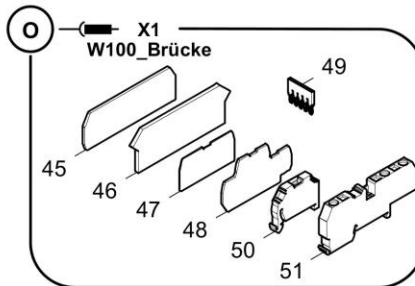
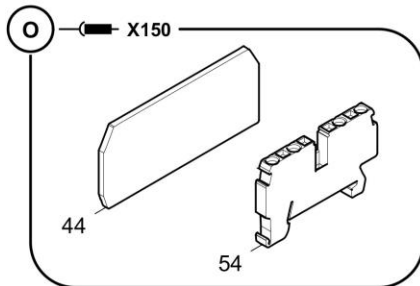
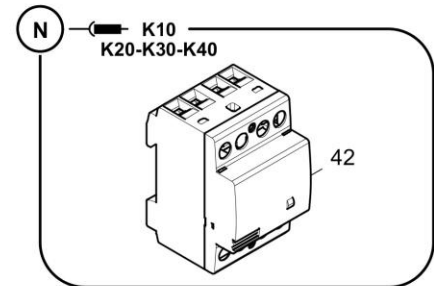
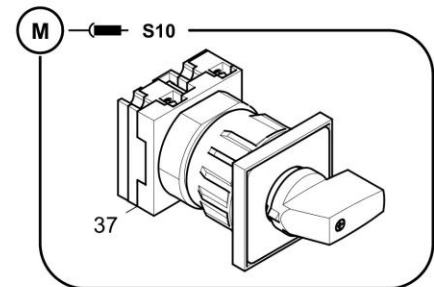
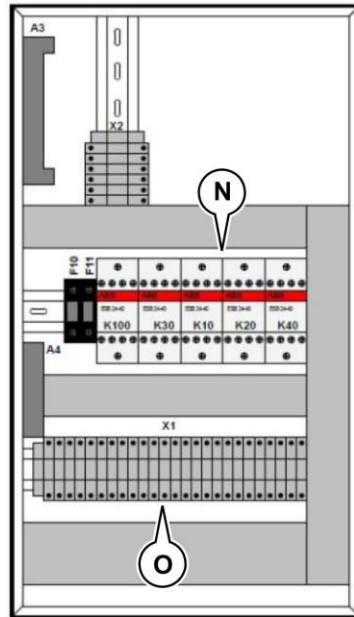
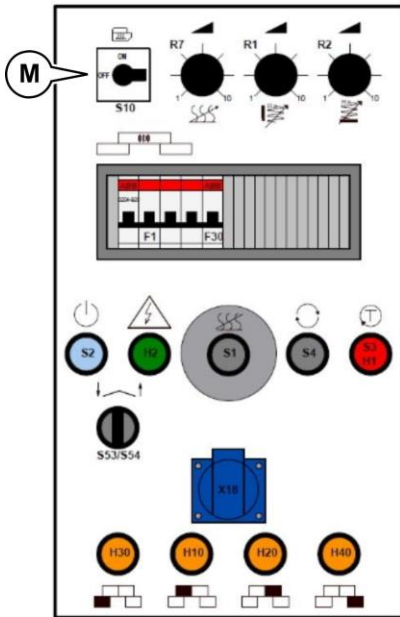
Item	Part No.	Name	Qty	L	C	SN INFO
21	40-0108169167	Dowel pin	1			
22	40-0301232100	Plain washer	1			
23	40-0211125603	Hexagon socket head cap screw	1			
24	40-5730015118	Hexagon nut	1			
25	40-4730012672	Gear wheel	1			
26	40-0190124152	Threaded pin	1			
27	40-4812019075	Bearing support	2			
28	40-4812019012	Spacer	1			
29	40-4812019013	Flange	1			
30	40-4812019069	Packing	3			
31	40-4812019025	Hydraulic motor 5cm ³	1			

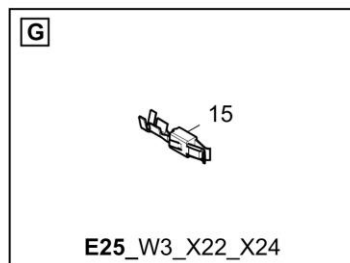
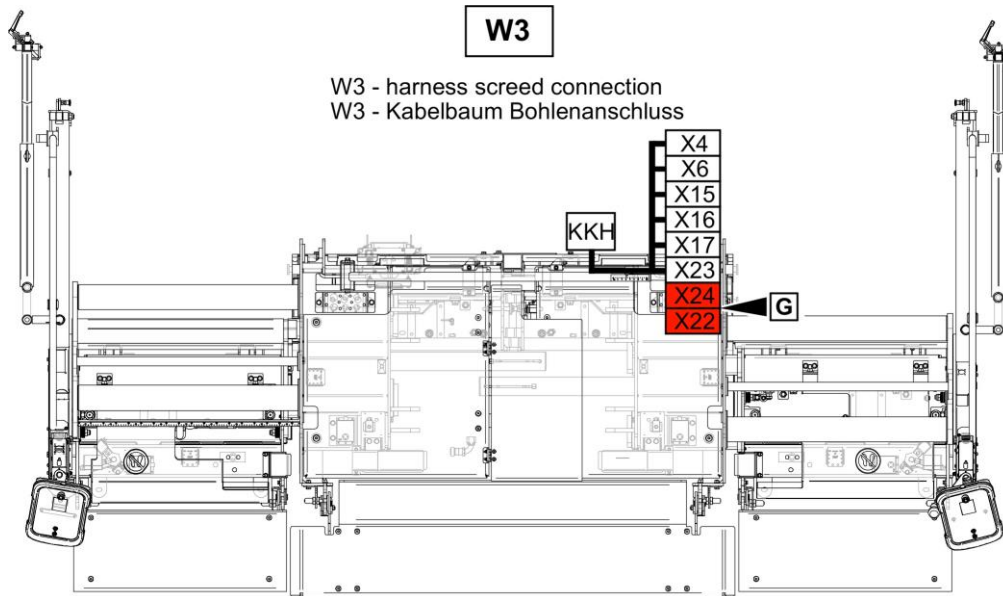
40-4812019142A Kit, vibration 40-4812017286B Vibration VT, r.h.

Item	Part No.	Name	Qty	L	C	SN INFO
1	40-4812014316	Shaft	1			
2	40-4812011930	Coupler	1			
3	40-D931501125	Dowel pin	1			
4	40-4812012893	Bell housing	1			
5	40-0333310036	Schnorr-lock washer	4			
6	40-4700508057	Screw	4			
7	40-4812014321	Kinetic energy mass	1			
8	40-0211132803	Hex sock. screw	1			
9	40-4749901860	Washer	4			
10	40-0211125003	Screw, M6x30, 8.8	4			
11	40-4747400034	Thread locking, 250ml	1			
14	40-4812011215	Bearing	2			
16	40-D936029651	Circlip	2			
17	40-4812014264	Spacer	1			
18	40-D932120750	Shim washer	2			
19	40-D932100737	Washer	1			

Refer to Parts Online for the most up to date information. The printed information might be outdated.

Thu Jul 23 04:08:53 UTC 2020



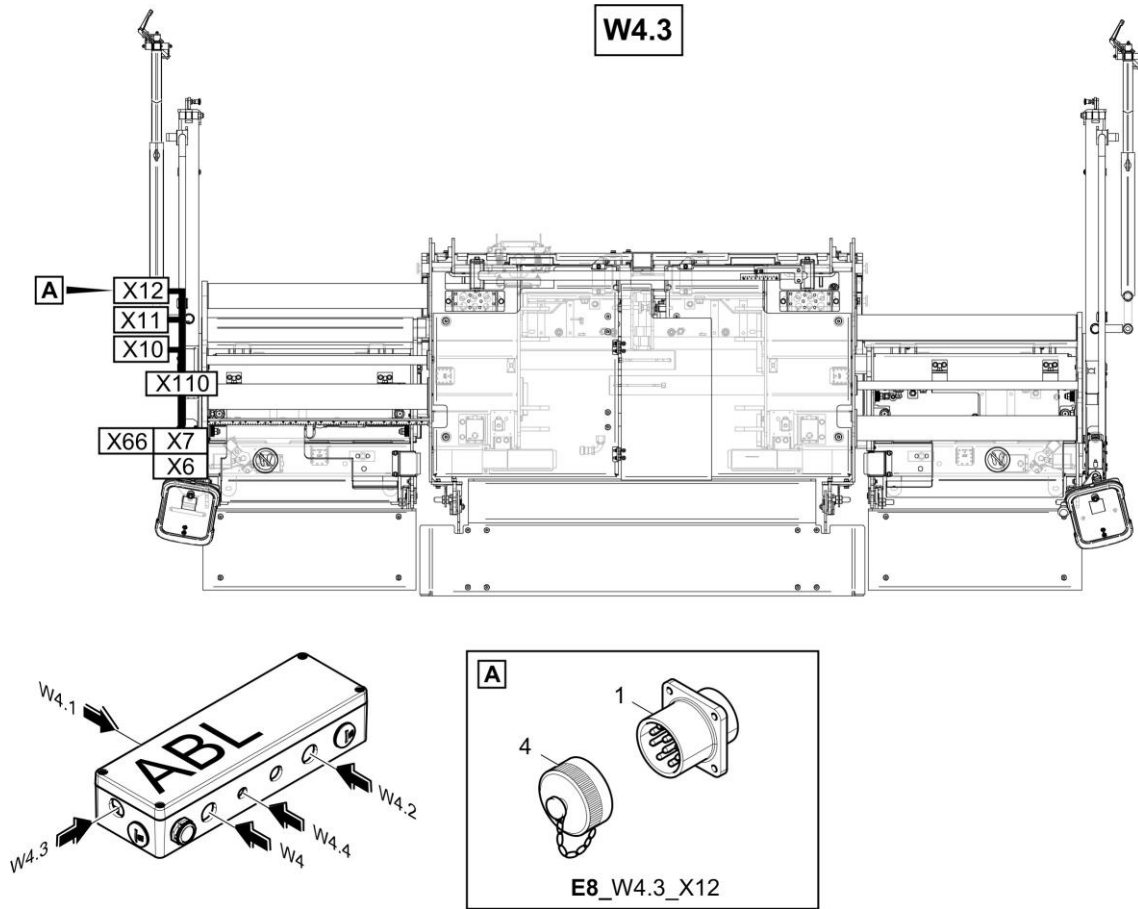


Item	Part No.	Name	Qty	L	C	SN INFO
2	40-4812046157	Power-timer housing	1			
4	40-4812029219	Power-timer housing	1			
6	40-4812029305	Power-timer housing	1			
10	40-4812029304	Power-timer housing	1			
13	40-4812029620	Power-timer housing	1			
14	40-4812029238	Power-timer housing	1			
15	40-4812030987	Female contact	1			

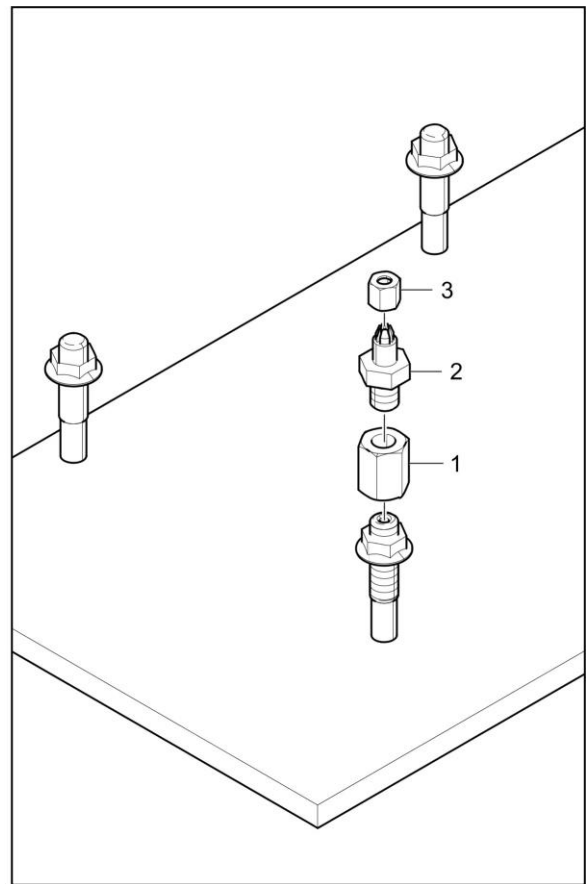
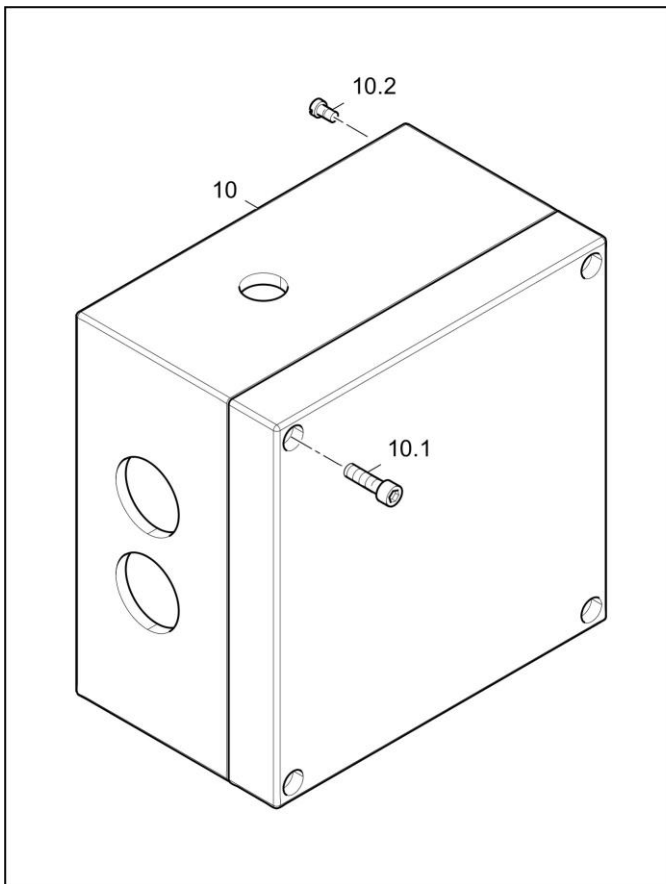
Referenced Pages

40-4812012961 Harness W1.....	162
40-4812012962 Harness W2.....	163
40-4812012963 Harness W3.....	164

Harness 40-4812015179 Harness W4.3



Item	Part No.	Name	Qty	L	C	SN INFO
1	40-4812073671	Socket	1			
4	40-4812073688	Dust cap	1			

Mounting parts 40-4812012959 Mounting parts

Item	Part No.	Name	Qty	L	C	SN INFO
1	40-4812010762	Adapter	3			
2	40-D431309003	Screwing	3			
3	40-D961102003	Nut	3			
10	40-4812024380	Mounting parts housing	1			
10.1	40-0211110234	Hexagon socket head cap screw	16			
10.2	40-0160099746	Slotted screw	8			

Refer to Parts Online for the most up to date information. The printed information might be outdated.

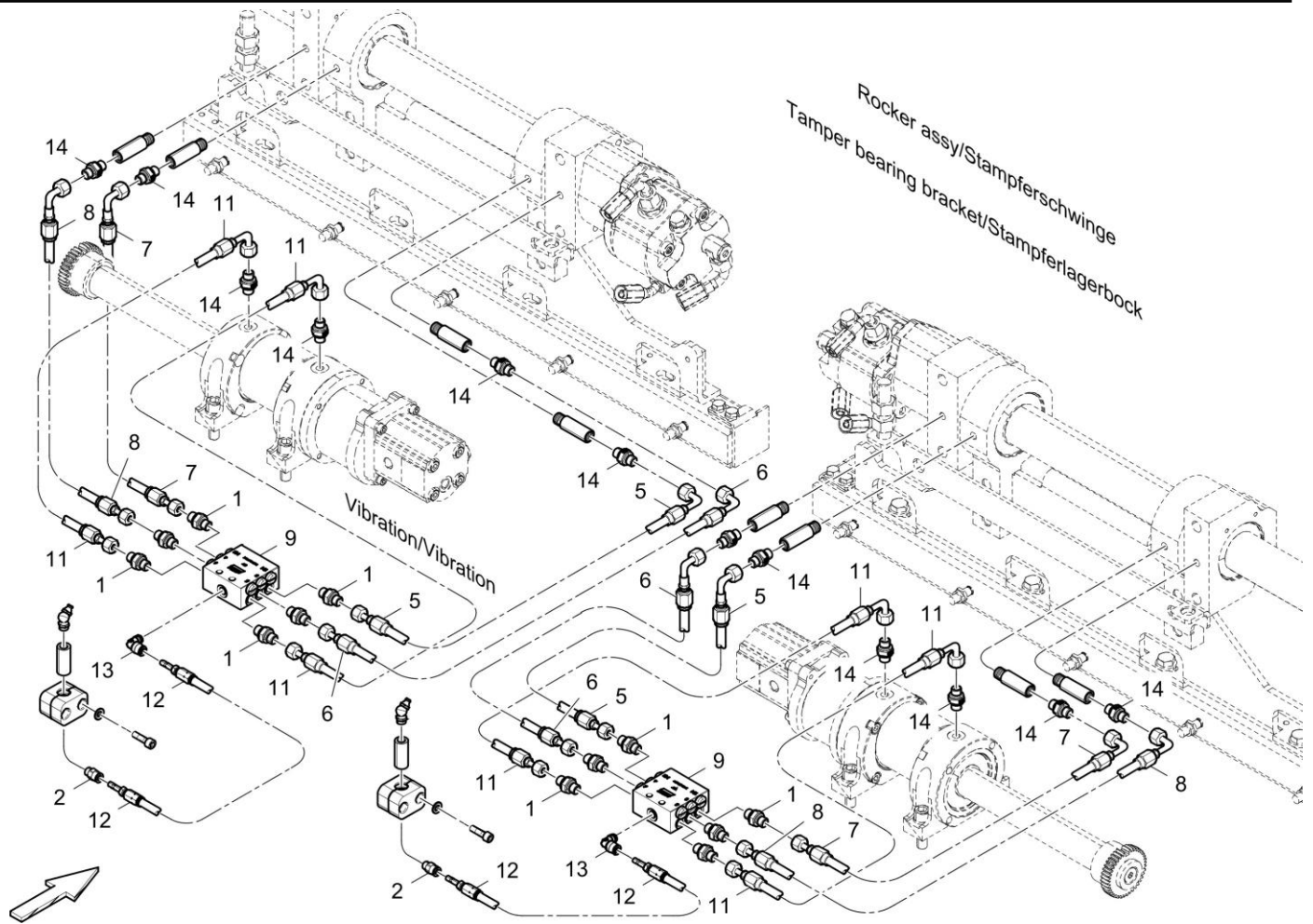
Thu Jul 23 04:09:25 UTC 2020

Item	Part No.	Name	Qty	L	C	SN INFO
18	40-4812019921	Upper part	1			
19	40-0337212100	Feather key	1			
20	40-4749302381	Handle	1			
21	40-4812026642	Stop bolt	1			
22	40-4812014970	Pipe	3			
23	40-4812231167	Roller	2			
24	40-4812231168	Roller	2			
25	40-4812017592	Shift fork	1			
26	40-4812231238	Shift dog	1			
27	40-4812234447	Spindle	1			
28	40-D814408020	Dovetail	1			
29	40-4812231170	Cable	1			
30	40-4812231169	Wire rope	1			
32	40-4749302415	Rope clamp	2			
33	40-4812234446	Spindle	1			
34	40-4812231155	Spindle nut	1			
35	40-4812231154	Spindle nut	1			
36	40-D930429155	Star grip screw	1			
38	40-4749900481	Cup spring	2			
39	40-D939786930	Screw	5			
40	40-4720003740	Safety lock	1			
41	40-4812019924	Bottom part	1			
42	40-4812017741	Plate	1			
43	40-4812019805	Holding device	1			
44	40-4812017497	Maintenance lid	1			
45	40-0266211200	Hexagon nut M12	4			
46	40-5730007656	Hexagon nut	3			
47	40-0291111000	Lock nut	1			
48	40-0266211000	Hexagon nut	2			
49	40-0291118554	Hexagon nut	1			
50	40-0147120403	Screw	4			
51	40-0147136003	Screw cap	4			
52	40-0147141103	Hex. head screw M12 x 80	1			
53	40-0147124403	Screw	4			
54	40-0215000621	Hexagon socket button head screw	19			
56	40-0147133703	Hexagon head screw	1			
58	40-D938590011	Washer	1			
59	40-0333317507	Schnorr-lock washer	4			

Refer to Parts Online for the most up to date information. The printed information might be outdated.

Thu Jul 23 04:09:30 UTC 2020

Item	Part No.	Name	Qty	L	C	SN INFO
56	40-4812017690	Receptacle plate	1			
57	40-0147141103	Hex. head screw M12 x 80	1			
58	40-4749900481	Cup spring	2			
59	40-D814408020	Dovetail	1			
60	40-0147120403	Screw	4			
61	40-0333317507	Schnorr-lock washer	4			
62	40-D930429155	Star grip screw	1			
63	40-0291111000	Lock nut	1			
64	40-D935511210	Grease nipple	1			
65	40-D934361022	Clamp	1			
66	40-0211125203	Bolt	2			
67	40-4720003740	Safety lock	1			
68	40-4812017497	Maintenance lid	1			
69	40-4812237702	Guard	1			
70	40-4749300213	Spring cotter	1			
71	40-4812236172	Shim	2			
72	40-4812017741	Plate	1			
73	40-0147124403	Screw	4			
74	40-4812161899	Auger Grease 0.7 kg	0,2			

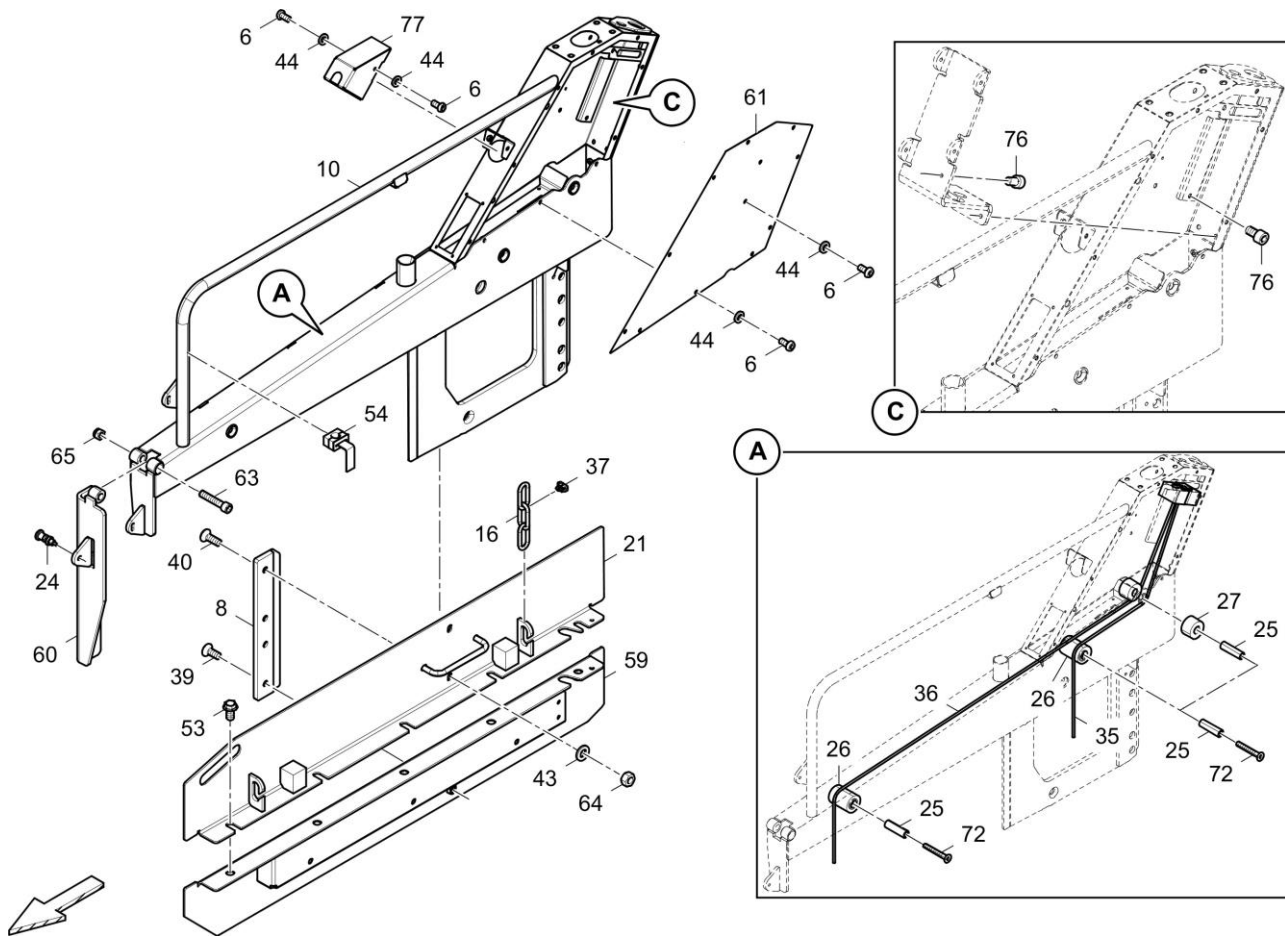


Item	Part No.	Name	Qty	L	C	SN INFO
1	40-D935555038	Valve body	24			
2	40-D935555080	Quick connection screwing	2			
3	40-4812033876	Grease hose	10			
5	40-4812016697	Grease hose	2			
6	40-4812016699	Grease hose	2			
7	40-4812016700	Grease hose	2			
8	40-4812016701	Grease hose	2			
9	40-D935555013	Grease spreader	4			
10	40-4812007907	Grease hose	2			
11	40-D431309501	Hose assy 500mm	4			
12	40-4812201366	Grease hose	2			
13	40-D935555120	Screwing	2			
14	40-4749220493	Stud	24			

Refer to Parts Online for the most up to date information. The printed information might be outdated.

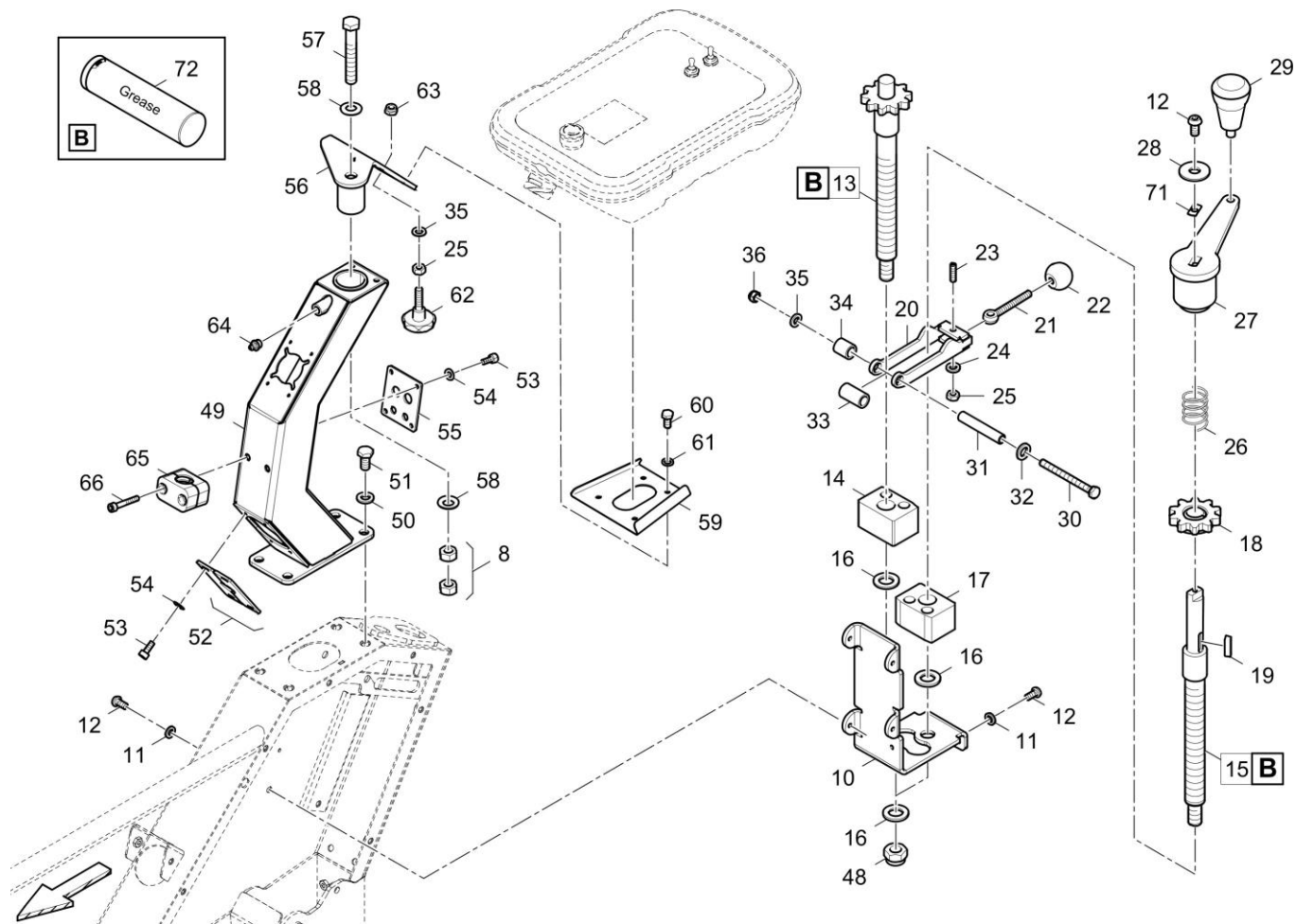
Thu Jul 23 04:09:40 UTC 2020

40-4812019943 End plate, cpl. 40-4812019944 End plate, l.h.



Refer to Parts Online for the most up to date information. The printed information might be outdated.

Thu Jul 23 04:09:46 UTC 2020

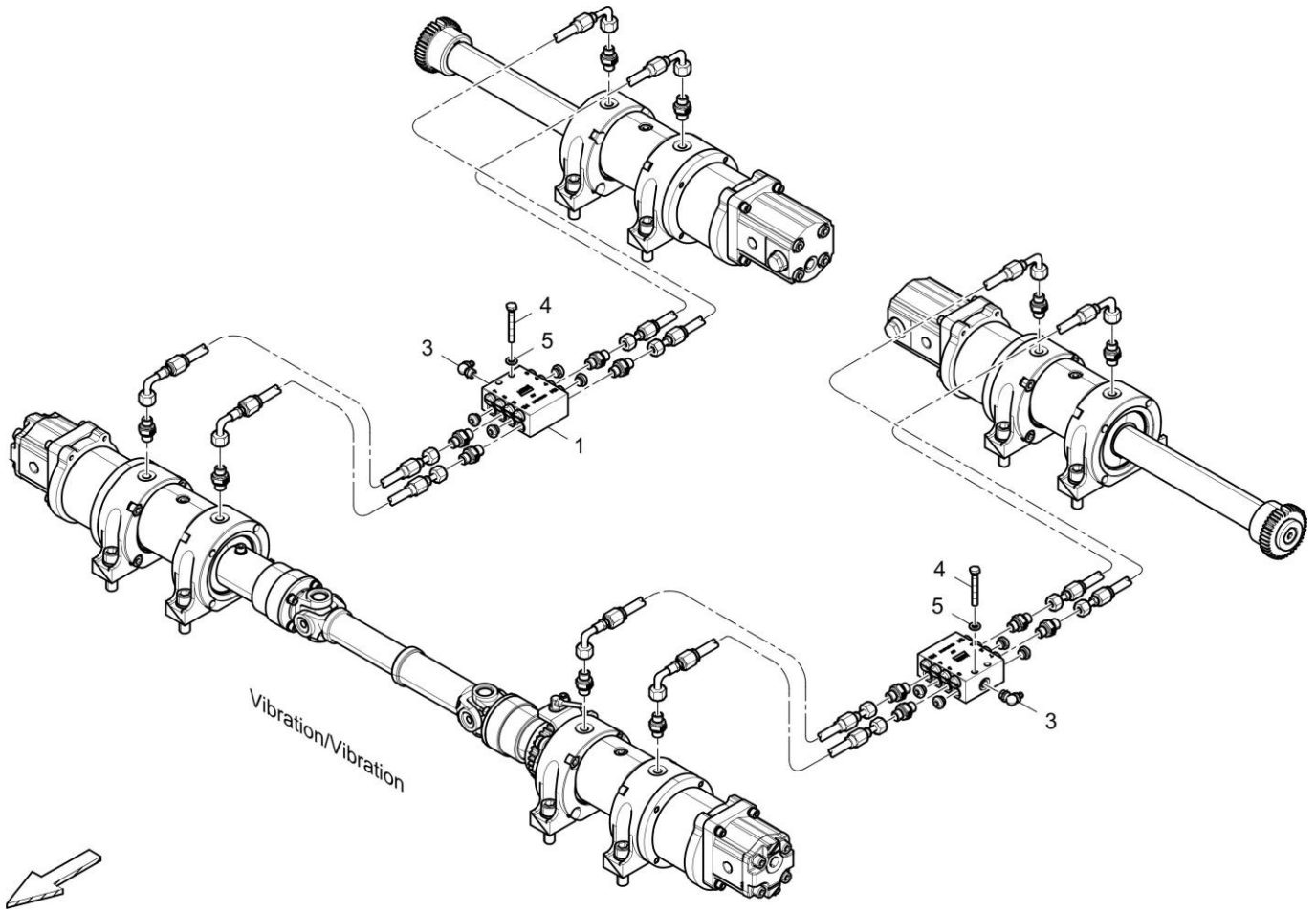


Item	Part No.	Name	Qty	L	C	SN INFO
1	40-4812237744	Holder f. end plate, l.h.	1			
2	40-4812019886	Upper part	1			
3	40-4812019946	Bottom part	1			
4	40-D939786930	Screw	5			
5	40-4812019847	Guide	1			
6	40-5730007825	Countersunk screw	2			
7	40-0333310052	Flat washer	2			
8	40-0266211200	Hexagon nut M12	4			
9	40-0216195762	Countersunk screw	2			
10	40-4812237871	Support plate	1			
11	40-0333310055	Washer	18			
12	40-0215000621	Hexagon socket button head screw	19			
13	40-4812234446	Spindle	1			
14	40-4812231155	Spindle nut	1			
15	40-4812234447	Spindle	1			
16	40-0301237800	Plain washer(A) 17 x 30 x 3	4			
17	40-4812231154	Spindle nut	1			

Refer to Parts Online for the most up to date information. The printed information might be outdated.

Thu Jul 23 04:09:51 UTC 2020

40-4812202592 Lubrication system 40-4812202592 Lubrication system



Item	Part No.	Name	Qty	L	C	SN INFO
1	40-4812201941	Lubrication system	1			
3	40-D935541310	Grease nipple	2			
4	40-0147110740	Screw m6 x 45mm	4			
5	40-0333310055	Washer	4			

CLICK HERE TO **DOWNLOAD** THE COMPLETE MANUAL

- Thank you very much for reading the preview of the manual.
- You can download the complete manual from: www.heydownloads.com by clicking the link below



- Please note: If there is no response to CLICKING the link, please download this PDF first and then click on it.

CLICK HERE TO **DOWNLOAD** THE COMPLETE MANUAL