

Spare parts catalogue

**STV 6000 E**



CLICK HERE TO **DOWNLOAD** THE COMPLETE MANUAL

- Thank you very much for reading the preview of the manual.
- You can download the complete manual from: [www.heydownloads.com](http://www.heydownloads.com) by clicking the link below



- Please note: If there is no response to CLICKING the link, please download this PDF first and then click on it.

CLICK HERE TO **DOWNLOAD** THE COMPLETE MANUAL

40-4812238121 Cover .....	61
<b>Operation width, E</b>	
<b>Basic operation width 6,00m</b>	
40-4812033918 Gr.09 Basic operation width 6,00m .....	62
<b>Operation width 9.0m, electric</b>	
40-4812233125 Operation width 9.0m, electric .....	63
<b>Extension mount, AT750, electric, l.h.</b>	
40-4812232801 Extension mount, AT750, electric, l.h. ....	66
<b>El. Heating, AT750, l.h.</b>	
40-4812232788 El. Heating, AT750, l.h. ....	69
<b>Tamper drive ext. part 750mm</b>	
40-4812028555 Tamper drive ext. part 750mm .....	72
<b>Vibration ext. part 750mm</b>	
40-4812218140 Vibration ext. part 750mm .....	75
<b>Tamper guide plate ext. part 750mm, l.h.</b>	
40-4812028745 Tamper guide plate ext. part 750mm, l.h. ....	77
<b>Footboard</b>	
40-4812075065 Footboard .....	78
<b>Footboard</b>	
40-4812075066 Footboard .....	79
<b>Protecting hood</b>	
40-4812232538 Protecting hood .....	80
<b>Adjusting screw</b>	
40-D614134600 Adjusting screw .....	See page 56
<b>Electric AT l.h. 750</b>	
40-4812017899 Electric AT l.h. 750 .....	82
<b>Electric</b>	
40-4812017907 Electric .....	83
<b>Cable</b>	
40-4812033701 Cable harness W20 AT750 .....	85
<b>Electric l.h. 750</b>	
40-4812033693 Electric l.h. 750 .....	86
<b>Electric</b>	
40-4812033697 Electric .....	87
<b>Cable</b>	
40-4812033701 Cable harness W20 AT750 .....	See page 85
<b>Extension mount, AT750, electric, r.h.</b>	
40-4812232812 Extension mount, AT750, electric, r.h. ....	89
<b>Vibration ext. part 750mm</b>	
40-4812233616 Vibration ext. part 750mm .....	92
<b>El. Heating, AT750, r.h.</b>	
40-4812232813 El. Heating, AT750, r.h. ....	94

**Electric**

40-4812017908 Electric ..... See page 104

**Cable**

40-4812033703 Cable harness W21 AT750 ..... See page 106

**Electric r.h. 750**

40-4812033695 Electric r.h. 750 ..... See page 107

**Electric**

40-4812033699 Electric ..... See page 108

**Cable**

40-4812033703 Cable harness W21 AT750 ..... See page 106

**Extension mount, AT350, electric, l.h.**

40-4812232159 Extension mount, AT350, electric, l.h. .... See page 116

**El. heating**

40-4812232157 El. heating ..... See page 119

**Tamper drive ext. part 350mm, l.h.**

40-4812029716 Tamper drive ext. part 350mm, l.h. .... See page 122

**Vibration ext. part 350mm, l.h.**

40-4812029876 Vibration ext. part 350mm, l.h. .... See page 125

**Tamper guide plate ext. part 350mm, l.h.**

40-4812029847 Tamper guide plate ext. part 350mm, l.h. .... See page 127

**Footboard**

40-4812075063 Footboard ..... See page 128

**Footboard**

40-4812075064 Footboard ..... See page 129

**Protecting hood**

40-4812233007 Protecting hood ..... See page 130

**Adjusting screw**

40-D614134600 Adjusting screw ..... See page 56

**Coupling**

40-4812076801 Coupling ..... See page 132

**Coupling**

40-4812035437 Coupling ..... See page 133

**Electric l.h. 350**

40-4812033694 Electric l.h. 350 ..... See page 134

**Electric**

40-4812033698 Electric ..... See page 135

**Cable**

40-4812033702 Cable harness W22 AT 350 ..... See page 136

**Electric AT l.h. 350**

40-4812017894 Electric ..... See page 137

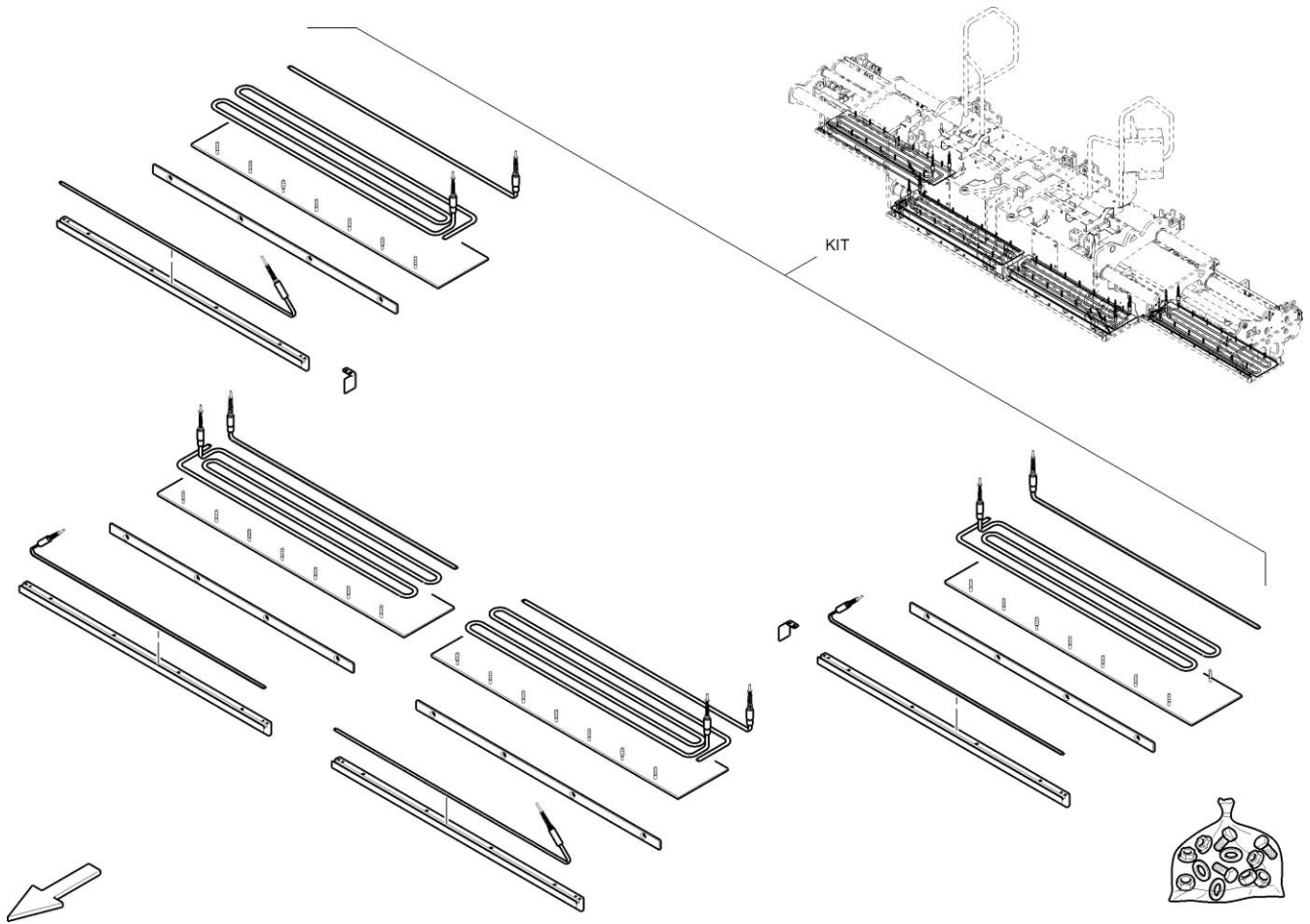
**Electric**

40-4812017905 Electric ..... See page 138

<b>Harness W8</b>	
40-4812217864 Harness W8 .....	557
<b>Hydraulic, end plate</b>	
40-4812019249 Hydraulic, end plate .....	558
<b>Control block</b>	
40-4812010450 Control block .....	561
40-4812076668 Control block .....	562
<b>Hose clamp</b>	
40-4812010756 Hose clamp .....	563
<b>Suppression</b>	
40-4812010929 Suppression .....	564
<b>40-4812239884 Hydr. end plate unheated, l.h. &amp; r.h.</b>	
40-4812239884 Hydr. end plate unheated, l.h. & r.h. ....	565
<b>End plate, cpl</b>	
40-4812239882 End plate, cpl .....	See page 537
<b>End plate, l.h.</b>	
40-4812239844 End plate, l.h. ....	See page 538
<b>End plate, r.h.</b>	
40-4812239846 End plate, r.h. ....	See page 541
<b>Stiffening plate, l.h.</b>	
40-4812010358 Plate, l.h. ....	See page 545
<b>Stiffening plate, r.h.</b>	
40-4812010359 Plate, r.h. ....	See page 546
<b>Hydraulic, pre-assembly</b>	
40-4812076664 Hydraulic, pre-assembly .....	See page 547
<b>Electric</b>	
40-4812217238 Electric .....	See page 549
<b>Harness W15.10</b>	
40-4812072753 Harness W15.10 .....	See page 550
<b>Harness W16.10</b>	
40-4812072756 Harness W16.10 .....	See page 551
<b>Harness W6</b>	
40-4812217461 Harness W6 .....	See page 552
<b>Harness W7</b>	
40-4812217863 Harness W7 .....	See page 556
<b>Harness W8</b>	
40-4812217864 Harness W8 .....	See page 557
<b>Hydraulic, end plate</b>	
40-4812019249 Hydraulic, end plate .....	See page 558
<b>Control block</b>	
40-4812010450 Control block .....	See page 561
40-4812076668 Control block .....	See page 562
<b>Hose clamp</b>	

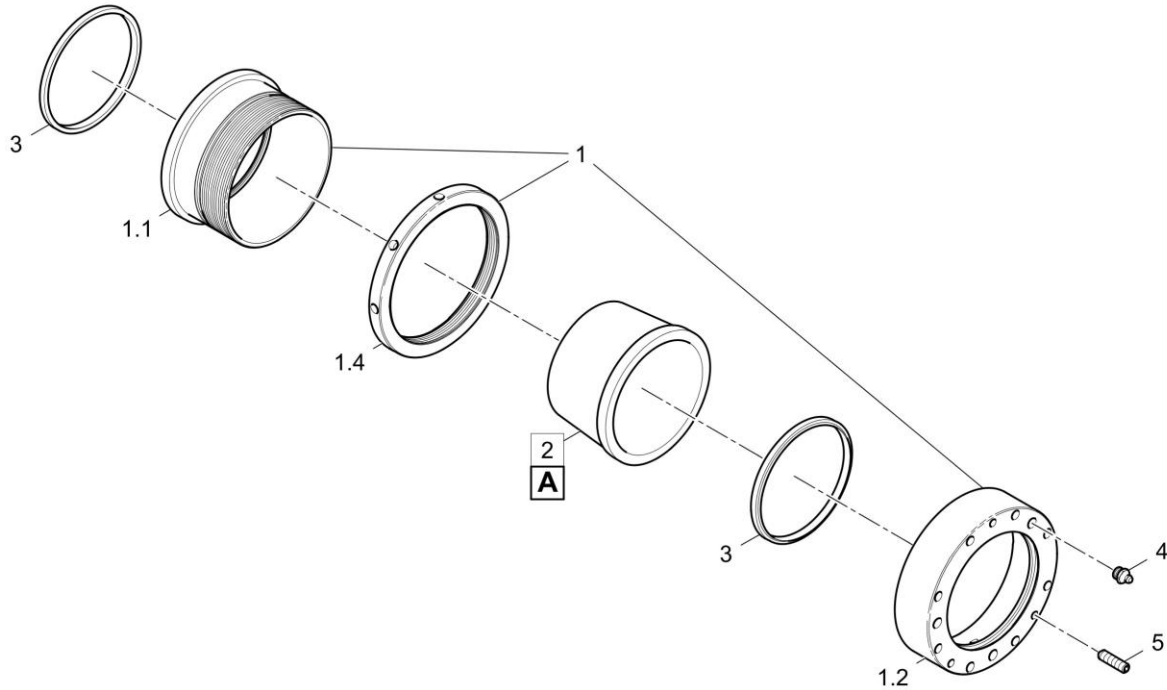
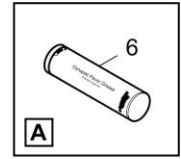


**Reconditioning, cpl. 40-4812019505 Renewal kit**



Item	Part No.	Name	Qty	L	C	SN INFO
KIT	40-4812019505	Renewal kit	1			
A	40-4812018802	Wear part kit bottom plates/tamper cutter	1			
B	40-4812018796	Kit, heating element with plug, cpl.	1			

**Guide unit 40-4812044786** Guide unit

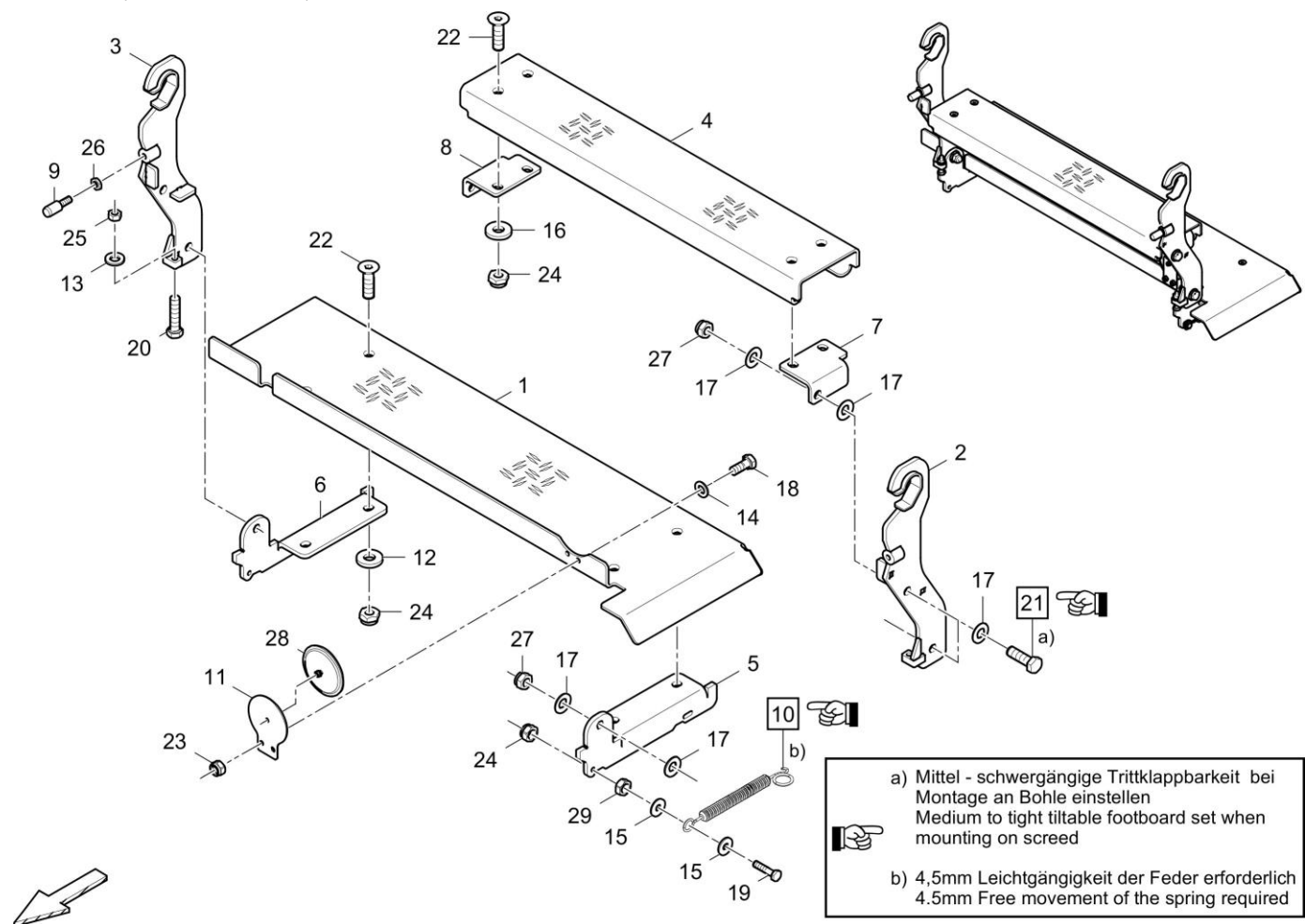


Item	Part No.	Name	Qty	L	C	SN INFO
1	40-4812041332	Tension unit	1			
1.1	40-4812041334	Counter flange	1			
1.2	40-4812041333	Adjusting nut	1			
1.4	40-4812234767	Nut	1			
2	40-4730014415	Flange	1			
3	40-4812062943	Stripper	2			
4	40-D935511210	Grease nipple	3			
5	40-0194132600	Threaded pin	1			
6	40-4812161899	Auger Grease 0.7 kg	0,01			

Item	Part No.	Name	Qty	L	C	SN INFO
18	40-4812026679	Retainer	2			
19	40-4812031328	Flat steel	4			
20	40-0333310055	Washer	8			
21	40-0333310050	Lock washer	32			
22	40-0333310051	Lock washer	28			
23	40-0333310052	Flat washer	8			
24	40-0147124403	Screw	8			
25	40-0147132203	Hexagon head screw	20			
26	40-0147132503	Hex. Head screw	4			
27	40-0147133012	Hex. head screw	20			
28	40-0147132303	Hexagon bolt	28			
29	40-0147136203	Screw	8			
30	40-0147136003	Screw cap	16			
31	40-0147136303	Screw	4			
32	40-0147140103	Screw	20			
35	40-0266211000	Hexagon nut	48			
36	40-0261211400	Hexagon nut	16			
37	40-4812026683	Pipe clamp	4			
38	40-D961102003	Nut	4			
40	40-0211124703	Hex sock. screw	4			
42	40-D614134400	Cover, l.h.	1			
43	40-D614134500	Cover, r.h.	1			
44	40-0211140003	Screw	8			
45	40-D608020600	Angle	1			
46	40-4812032122	Tamper bar	4			
47	40-D608020700	Angle	1			
49	40-4812230422	Flat steel	4			
50	40-4812230419	Guide plate	4			
51	40-0301235800	Plain washer	28			
52	40-0301233500	Plain washer	20			
56	40-4812215020	Flat tube heater, tamper	2			
57	40-4812215014	Flat tube heater, inside	2			
58	40-4812215017	Flat tube heater, outside	2			
59	40-4812018621	Jam profile	2			
60	40-4812018626	Jam profile	2			
61	40-4812018627	Insulation	2			
62	40-4812018635	Insulation	2			
64	40-5541221000	Hexagon nut	8			

Refer to Parts Online for the most up to date information. The printed information might be outdated.

Wed Apr 06 09:26:51 UTC 2022

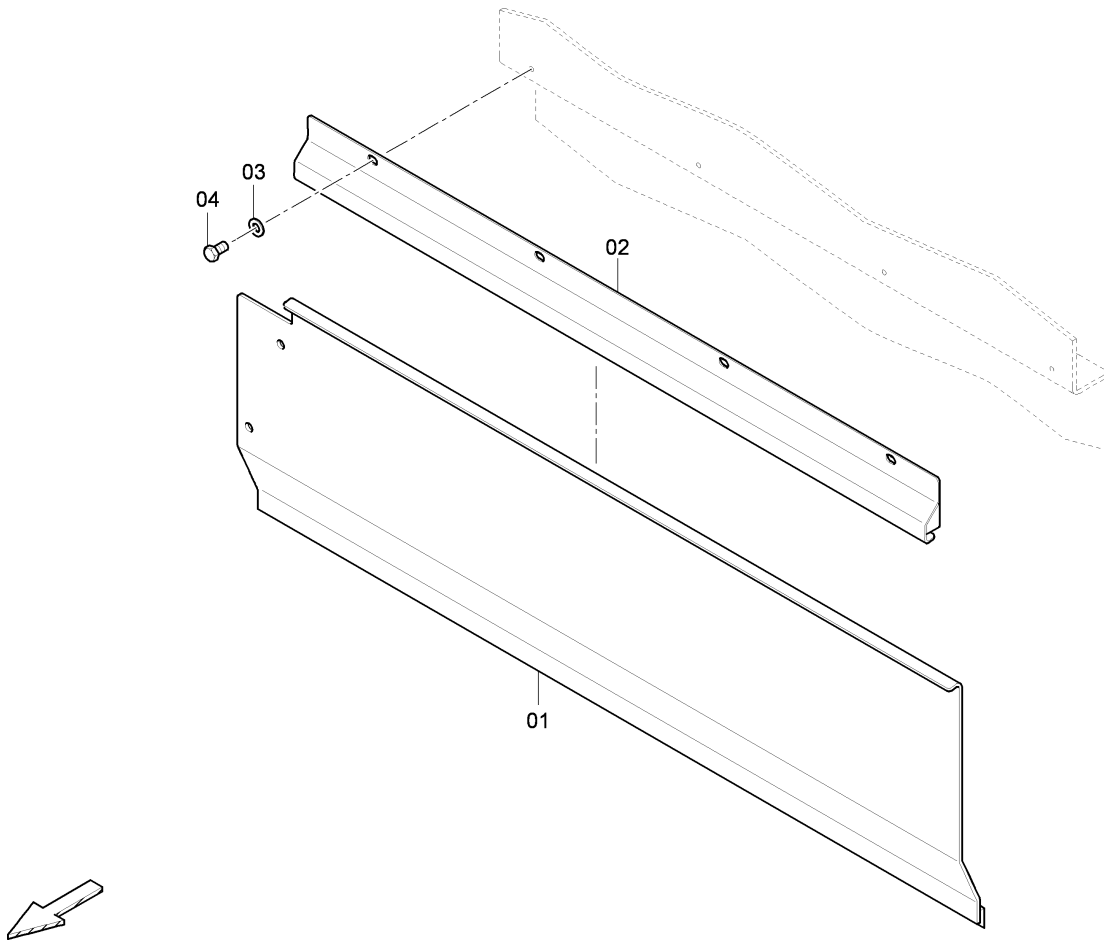
**Footboard, middle screed, l.h. 40-4812074839 Footboard, MT l.h.**

- a) Mittel - schwergängige Trittklappbarkeit bei Montage an Bohle einstellen  
Medium to tight tiltable footboard set when mounting on screed
- b) 4,5mm Leichtgängigkeit der Feder erforderlich  
4.5mm Free movement of the spring required

Item	Part No.	Name	Qty	L	C	SN INFO
1	40-D615143101	Footboard plate	1			
2	40-4812074804	Arm, l.h.	1			
3	40-4812074803	Arm, r.h.	1			
4	40-D615143103	Footboard	1			
5	40-D614143105	Arm, l.h.	1			
6	40-D614143107	Arm, r.h.	1			
7	40-D614143108	Retainer, l.h.	1			
8	40-D614143110	Retainer, r.h.	1			
9	40-D606080104	Pivot	2			
10	40-4812064242	Spring	1			
11	40-4812073815	Retainer	1			
12	40-4730011831	Washer	4			
13	40-0333310052	Flat washer	2			
14	40-0301233500	Plain washer	2			
15	40-0300013038	Flat washer	2			
16	40-D939130012	Washer	4			

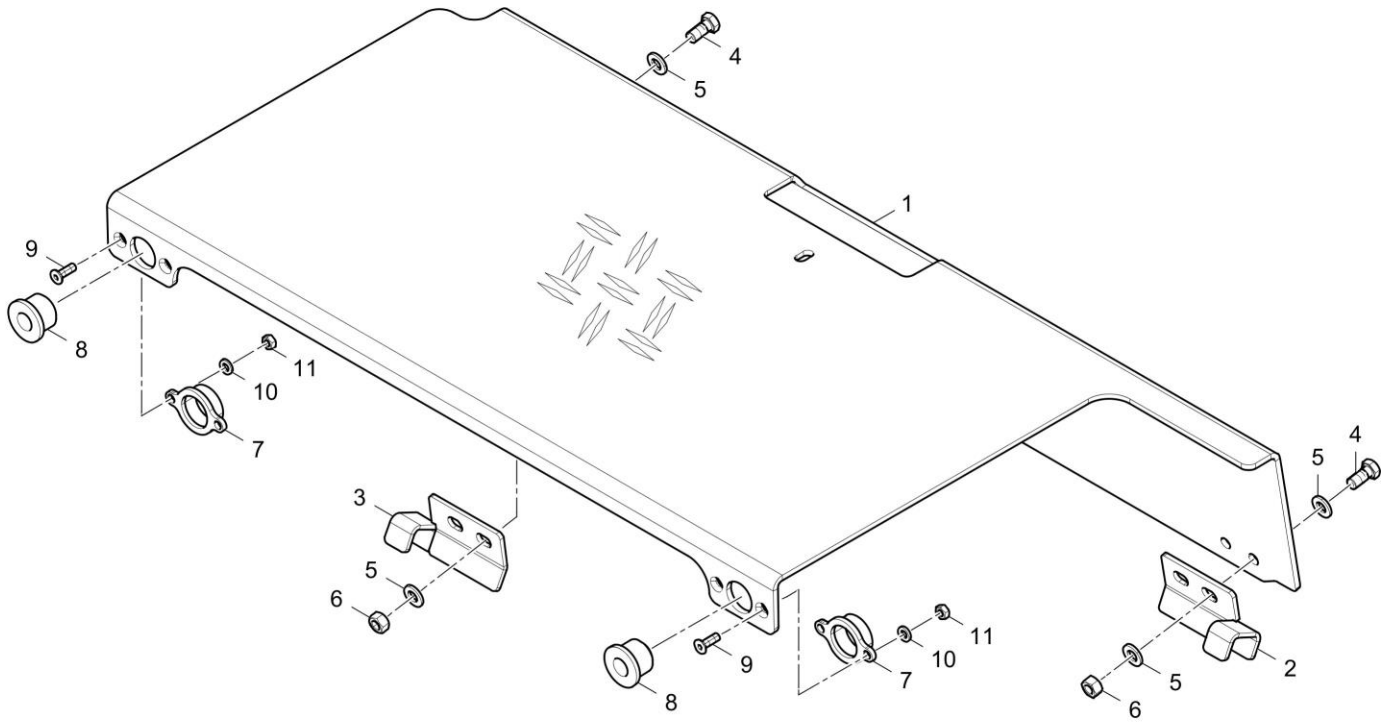
Refer to Parts Online for the most up to date information. The printed information might be outdated.

Wed Apr 06 09:26:55 UTC 2022

**Tamper guide plate central part, MT l.h. 40-4812031264 Tamper guide plate central part, l.h.**

Item	Part No.	Name	Qty	L	C	SN INFO
1	40-4812031257	Tamper guide plate	1			
2	40-4812031254	Guide rail	1			
3	40-D939776115	Lock washer	4			
4	40-0147135903	Hexagon bolt	4			

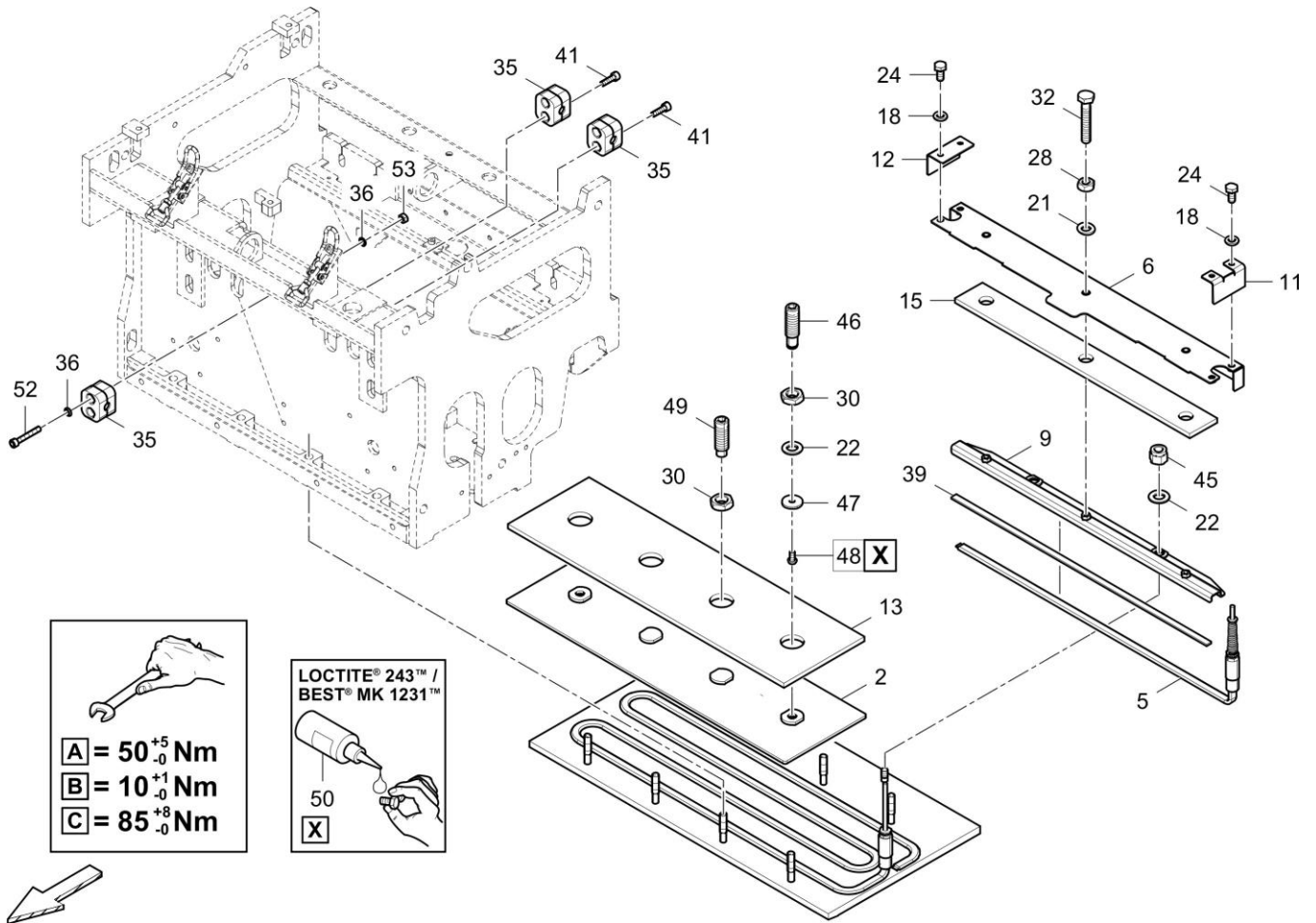
**Protecting hood, VT r.h.** 40-4812239281 Protecting hood, VT r.h.



Item	Part No.	Name	Qty	L	C	SN INFO
1	40-4812239282	Protecting hood, r.h.	1			
2	40-4812232267	Bracket, l.h.	1			
3	40-4812232286	Bracket, r.h.	1			
4	40-0147140003	Screw	4			
5	40-0333310052	Flat washer	8			
6	40-0266211200	Hexagon nut	4			
7	40-D614135500	Receptacle	2			
8	40-D930235540	Rubber sloc	2			
9	40-0216195761	Screw hexagon	4			
10	40-0333310050	Lock washer	4			
11	40-0266211000	Hexagon nut	4			

Refer to Parts Online for the most up to date information. The printed information might be outdated.

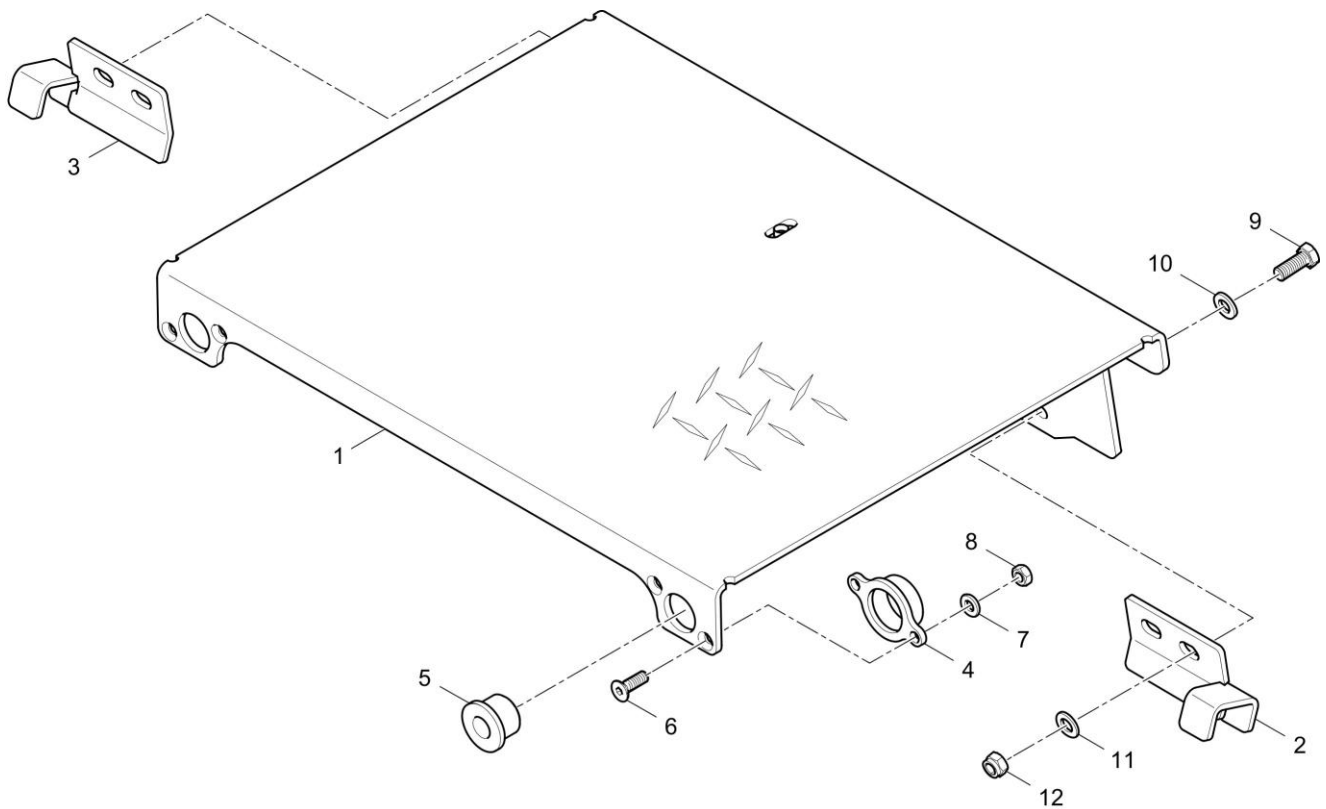
Wed Apr 06 09:27:01 UTC 2022



Item	Part No.	Name	Qty	L	C	SN INFO
1	40-4812232799	Screed bottom plate, 750mm	1			
2	40-4812232803	Jam profile	1			
3	40-4812233277	Heating rod	1			
4	40-4812060503	Heating rod	1			
5	40-4812060502	Heating rod	1			
6	40-4812232809	Cover plate	1			
8	40-4812230548	Retainer	1			
9	40-4812232811	Guide plate	1			
11	40-4812026638	Cover plate	1			
12	40-4812026640	Cover plate	1			
13	40-4812028633	Isolation	1			
14	40-4812028622	Protective strip	1			
15	40-4812232802	Insulation	1			
16	40-D311002706	Flat steel	1			
17	40-0333310055	Washer	2			
18	40-0333310050	Lock washer	4			
19	40-0333310051	Lock washer	3			

Refer to Parts Online for the most up to date information. The printed information might be outdated.

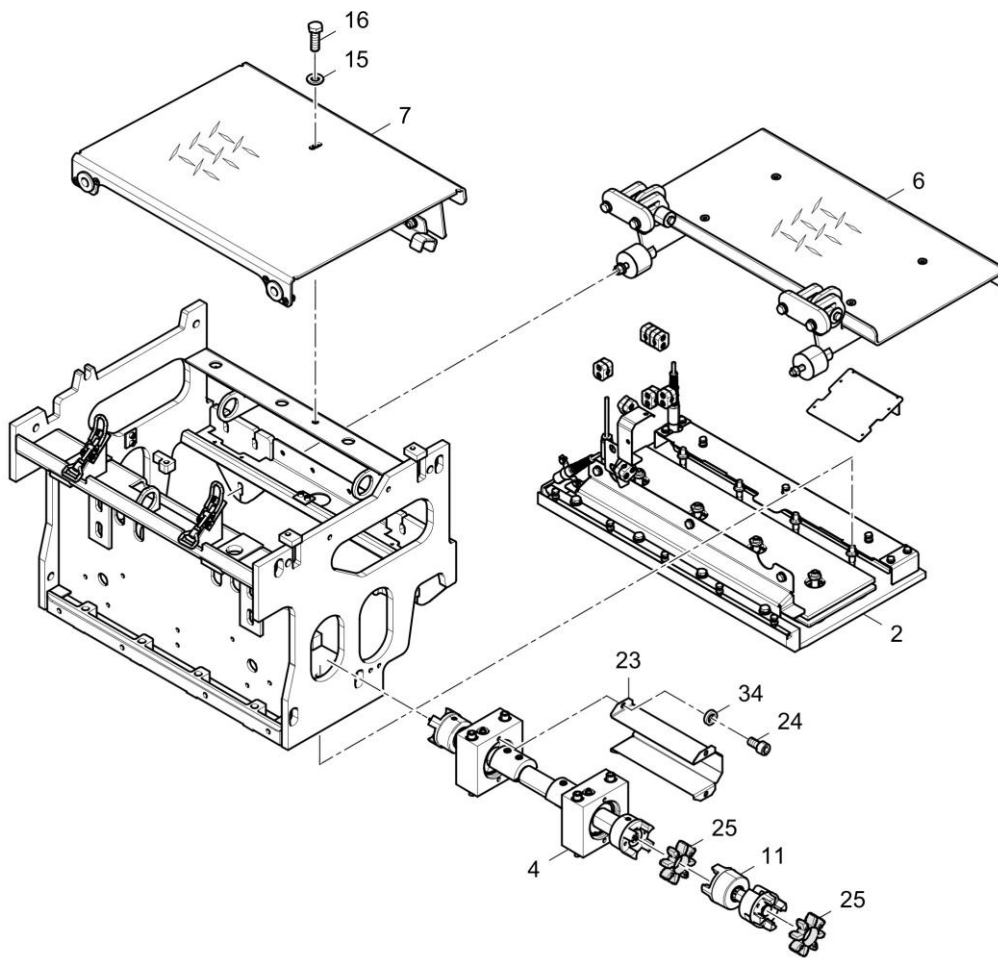
Wed Apr 06 09:27:04 UTC 2022

**Protecting hood 40-4812232538** Protecting hood

Item	Part No.	Name	Qty	L	C	SN INFO
1	40-4812232532	Protecting hood	1			
2	40-4812232267	Bracket, l.h.	1			
3	40-4812232286	Bracket, r.h.	1			
4	40-D614135500	Receptacle	2			
5	40-D930235540	Rubber sloc	2			
6	40-0216195761	Screw hexagon	4			
7	40-0333310050	Lock washer	4			
8	40-0266211000	Hexagon nut	4			
9	40-0147140103	Screw	4			
10	40-0333310052	Flat washer	4			
11	40-0301235800	Plain washer	4			
12	40-5730008013	Hexagon nut	4			

Refer to Parts Online for the most up to date information. The printed information might be outdated.

Wed Apr 06 09:27:07 UTC 2022



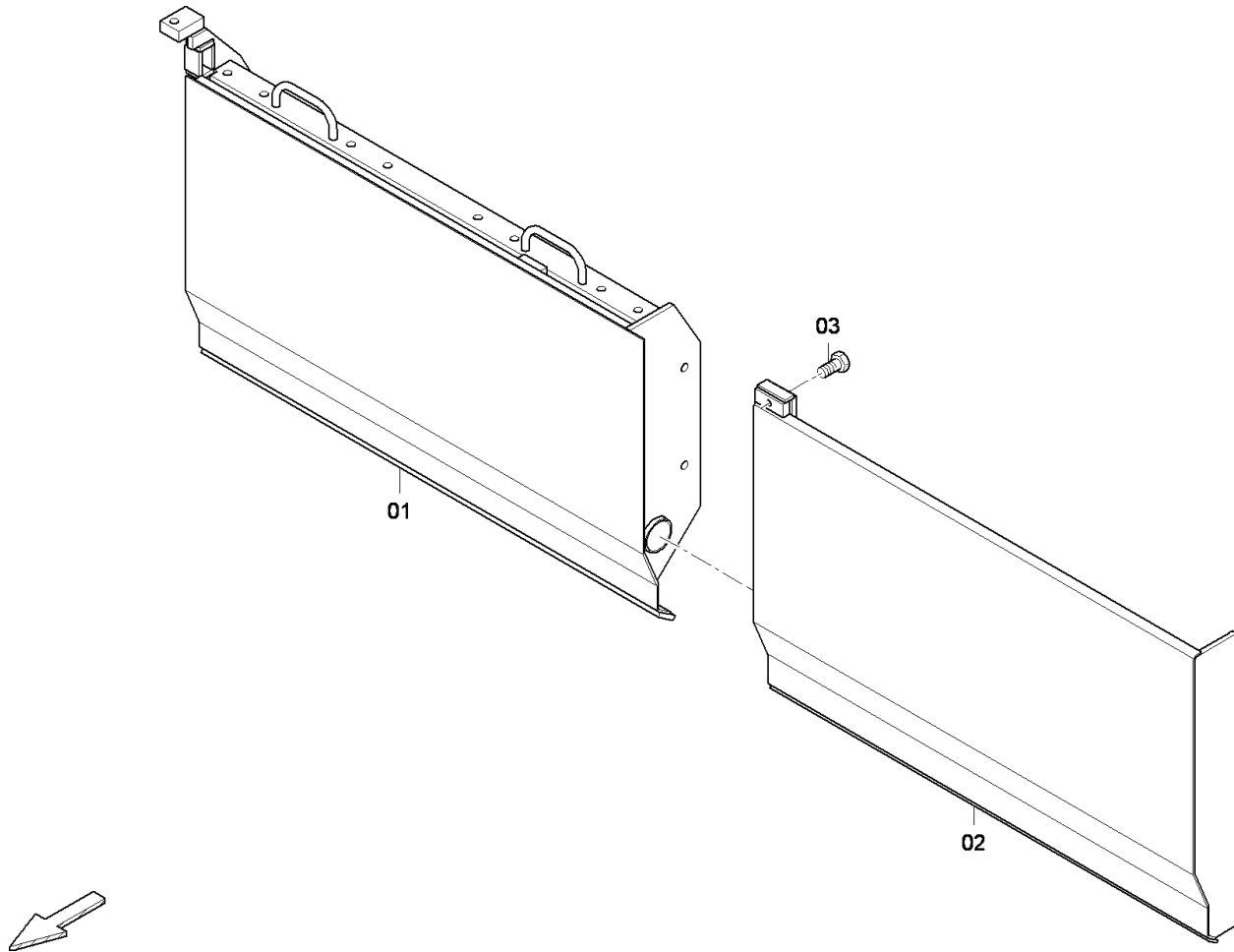
Item	Part No.	Name	Qty	L	C	SN INFO
1	40-4812233134	Extension mount	1			
2	40-4812232813	El. Heating, AT750, r.h.	1			
3	40-4812028555	Tamper drive ext. part 750mm	1			
4	40-4812218140	Vibration ext. part 750mm	1			
4	40-4812233616	Vibration ext. part 750mm	1			Valid from s/n 3102115, 2127, 2132, 2133, 2135, 2137, 2138, 2140, 2141, 2144, 2145, 3102150, ff
5	40-4812028757	Tamper guide plate ext. part 750mm, r.h.	1			
6	40-4812075065	Footboard	1			
7	40-4812232538	Protecting hood	1			
8	40-D614134600	Adjusting screw	2			
9	40-D614214200	Adjusting mount	1			
10	40-D614214300	Adjusting mount	1			
11	40-D614217500	Joint shaft	1			
12	40-D614217600	Joint shaft	1			
13	40-D614210303	Washer	2			
14	40-4730013152	Washer	2			
15	40-0333310051	Lock washer	1			

Refer to Parts Online for the most up to date information. The printed information might be outdated.

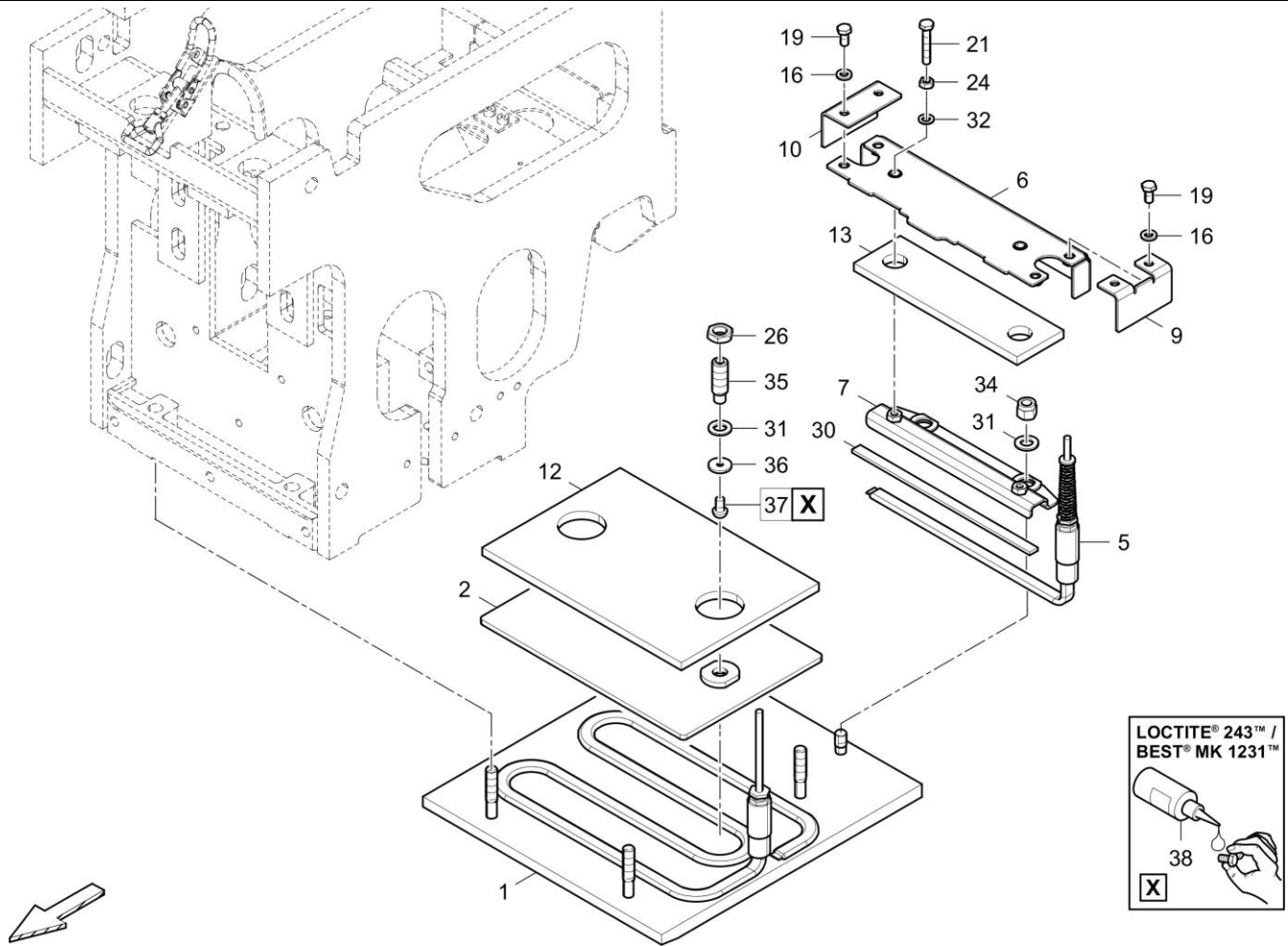
Wed Apr 06 09:27:11 UTC 2022

---

	Referenced Pages	
40-4812075066 Footboard .....		79
	Referenced Pages	
40-4812075065 Footboard .....		78

**Material duct, adj., 1000mm, l.h. 40-4812027937 Material duct, adj., 1000mm, l.h.**

Item	Part No.	Name	Qty	L	C	SN INFO
1	40-4812027939	Material duct	1			
2	40-4720003691	Material duct	1			
3	40-0147140103	Screw	1			

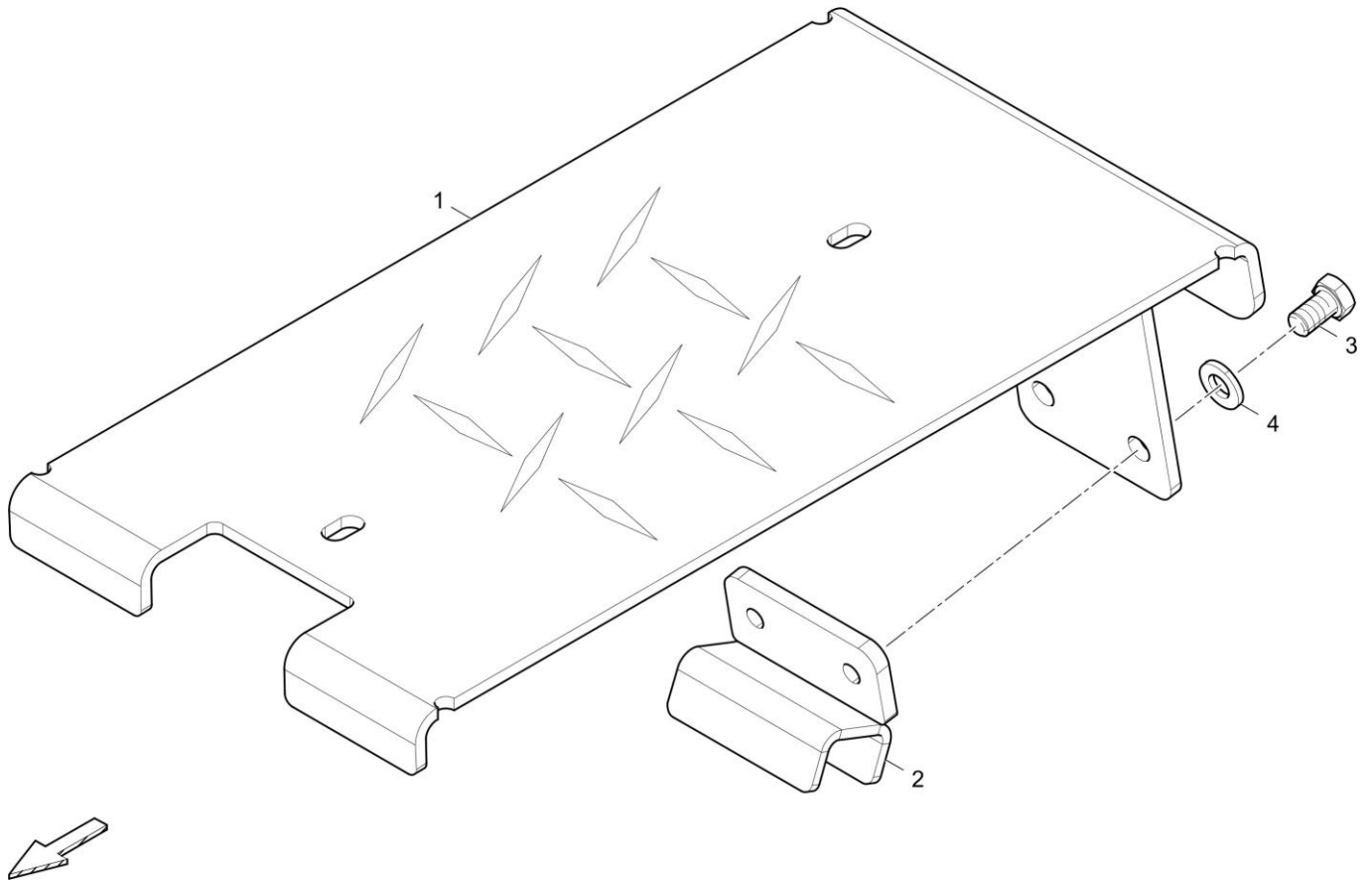


Item	Part No.	Name	Qty	L	C	SN INFO
1	40-4812232156	Screed plate	1			
2	40-4812232146	Jam profile	1			
3	40-4812233274	Heating rod f. tamper	1			
4	40-4812060506	Heating rod	1			
5	40-4812060505	Heating rod	1			
6	40-4812232155	Cover plate	1			
7	40-4812232151	Guide plate	1			
9	40-4812026638	Cover plate	1			
10	40-4812026640	Cover plate	1			
11	40-4812029710	Protective strip	1			
12	40-4812232143	Insulation	1			
13	40-4812232147	Insulation	1			
14	40-D311002712	Flat steel	1			
15	40-0333310055	Washer	2			
16	40-0333310050	Lock washer	4			
17	40-0333310051	Lock washer	2			
18	40-0147124403	Screw	2			

Refer to Parts Online for the most up to date information. The printed information might be outdated.

Wed Apr 06 09:27:17 UTC 2022

**Protecting hood 40-4812233007** Protecting hood



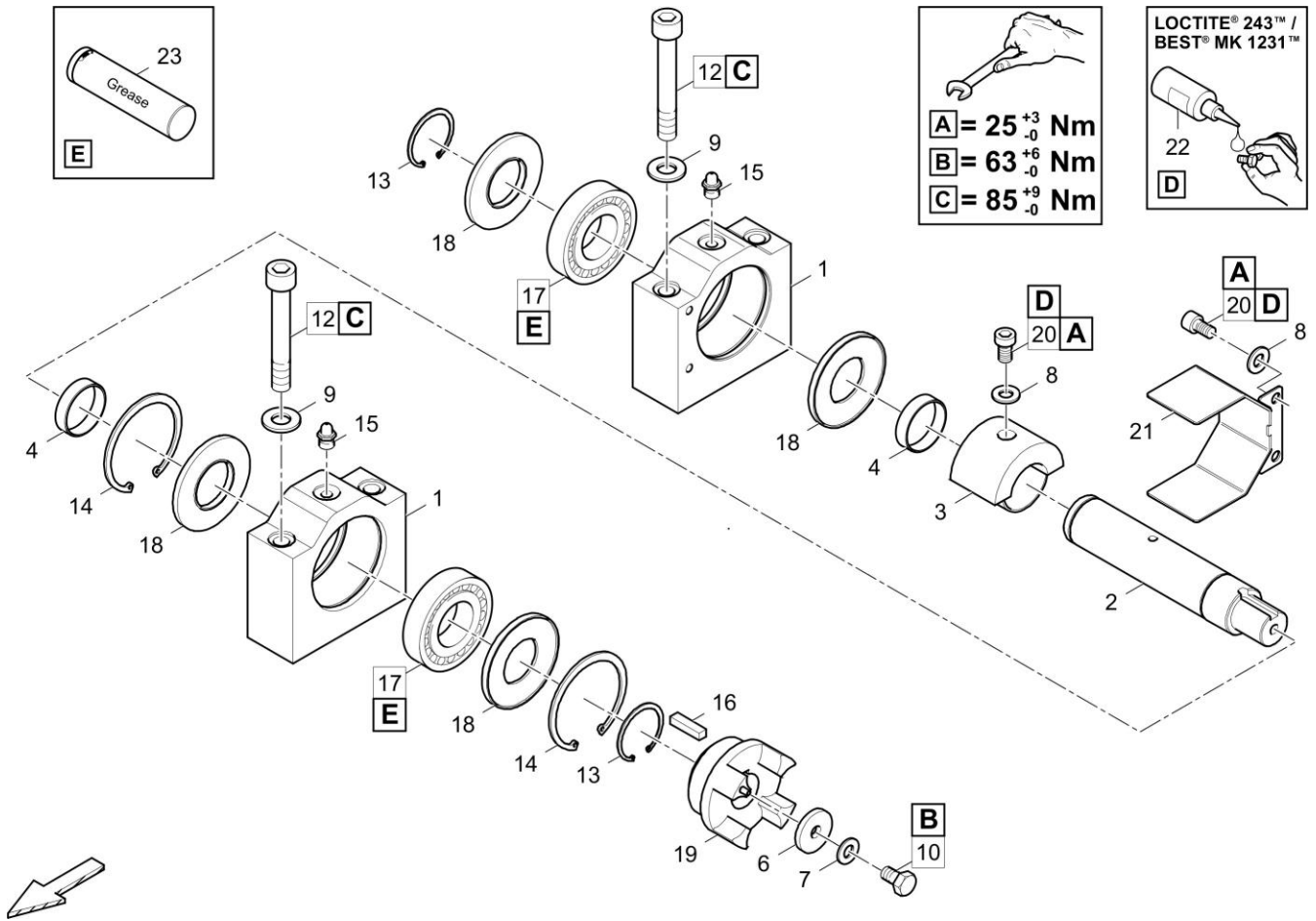
Item	Part No.	Name	Qty	L	C	SN INFO
1	40-D614204701	Protection cover	1			
2	40-4812232536	Bracket	1			
3	40-0147139803	Hex. head screw	2			
4	40-0333310052	Flat washer	2			

---

Referenced Pages

40-4812033702 Cable harness W22 AT 350 .....136

Vibration ext. part 350mm, r.h. 40-4812029882 Vibration ext. part 350mm, r.h.



Item	Part No.	Name	Qty	L	C	SN INFO
1	40-4812029877	Support	2			
2	40-4812029879	Vibration shaft	1			
3	40-4812033584	Kinetic energy mass	1			
4	40-4812029881	Spacer	2			
6	40-4730008623	Washer	1			
7	40-0333310024	Washer	1			
8	40-4749901806	Washer	3			
9	40-4749901808	Washer	4			
10	40-0147136003	Screw cap	1			
12	40-0211110441	Hexagon socket head cap screw	4			
13	40-4749900349	Circlip	2			
14	40-4749900351	Circlip	2			
15	40-D935511210	Grease nipple	2			
16	40-0337001036	Feather key	1			
17	40-4749540044	Bearing	2			
18	40-4749302735	Sealing moulded product	4			

Refer to Parts Online for the most up to date information. The printed information might be outdated.

Wed Apr 06 09:27:26 UTC 2022

---

Referenced Pages

40-4812033702 Cable harness W22 AT 350 .....136

Item	Part No.	Name	Qty	L	C	SN INFO
17	40-4812026792	Wrench	2			

---

Referenced Pages

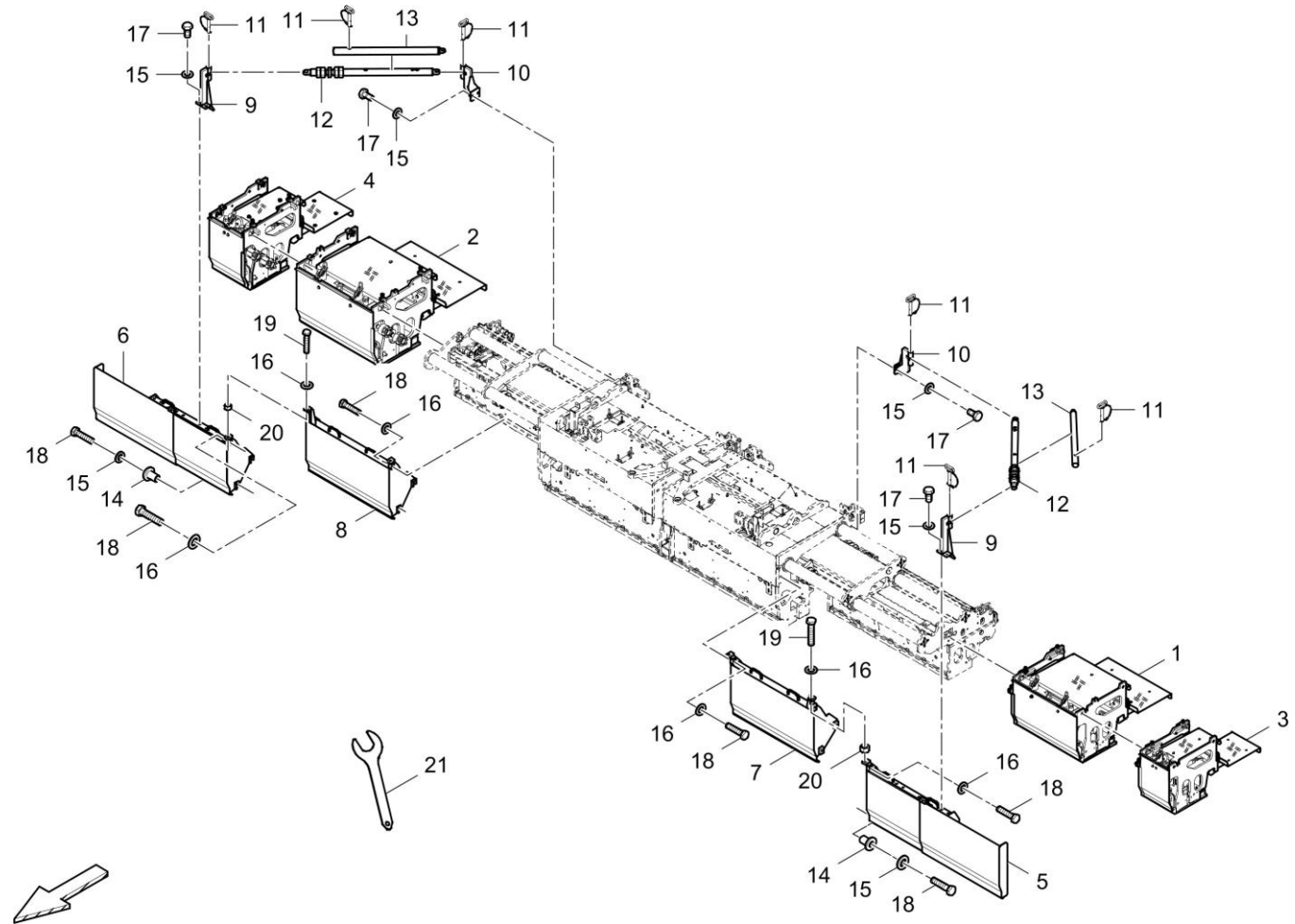
40-4812033697 Electric ..... 87

---

Referenced Pages

40-D614134600 Adjusting screw ..... 56

## Operation width 8.2m, electric 40-4812233124 Operation width 8.2m, electric



Item	Part No.	Name	Qty	L	C	SN INFO
1	40-4812232801	Extension mount, AT750, electric, l.h.	1			
2	40-4812232812	Extension mount, AT750, electric, r.h.	1			
3	40-4812232159	Extension mount, AT350, electric, l.h.	1			
4	40-4812232160	Extension mount, AT350, electric, r.h.	1			
5	40-4812027937	Material duct, adj., 1000mm, l.h.	1			
6	40-4812027938	Material duct, adj., 1000mm, r.h.	1			
7	40-4720004498	Material duct, 1000mm, l.h.	1			
8	40-4720004497	Material duct, 1000mm, r.h.	1			
9	40-4812026905	Holding device	2			
10	40-4812026890	Holding device	2			
11	40-4812028407	Socket pin	6			
12	40-4812026950	Brace pipe	2			
13	40-4812026956	Brace pipe	2			
14	40-4730009179	Bushing	4			
15	40-0333310049	Lock washer	16			
16	40-0301237800	Plain washer	4			

Refer to Parts Online for the most up to date information. The printed information might be outdated.

Wed Apr 06 09:27:30 UTC 2022

---

	Referenced Pages	
40-4812033701 Cable harness W20 AT750 .....		85
	Referenced Pages	
40-4812017899 Electric AT l.h. 750 .....		82

---

Referenced Pages

40-4812232538 Protecting hood ..... 80

---

Referenced Pages

40-4812029847 Tamper guide plate ext. part 350mm, l.h. ....127

---

	Referenced Pages	
40-4812033702 Cable harness W22 AT 350 .....		136
	Referenced Pages	
40-4812017894 Electric .....		137

---

Referenced Pages

40-4812035437 Coupling .....133

---

Referenced Pages

40-4812026950 Brace pipe .....113

---

Referenced Pages

40-D614134600 Adjusting screw ..... 56

---

Referenced Pages

40-4812028757 Tamper guide plate ext. part 750mm, r.h. .... 99

---

Referenced Pages

40-4812029716 Tamper drive ext. part 350mm, l.h. ....122

---

Referenced Pages

40-4812033702 Cable harness W22 AT 350 .....136

---

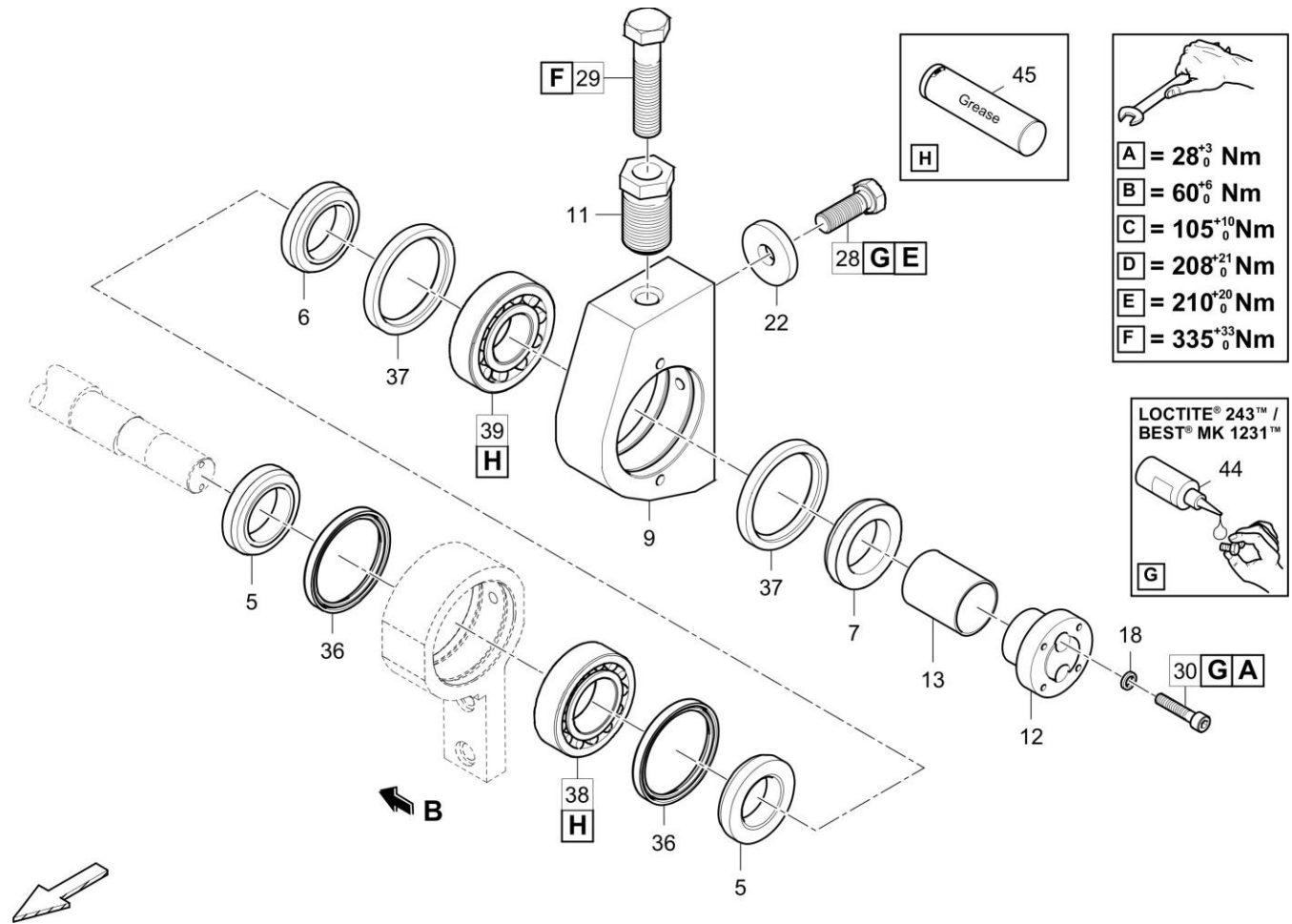
Referenced Pages

40-D614134600 Adjusting screw ..... 56

---

Referenced Pages

40-4812027938 Material duct, adj., 1000mm, r.h. ....111

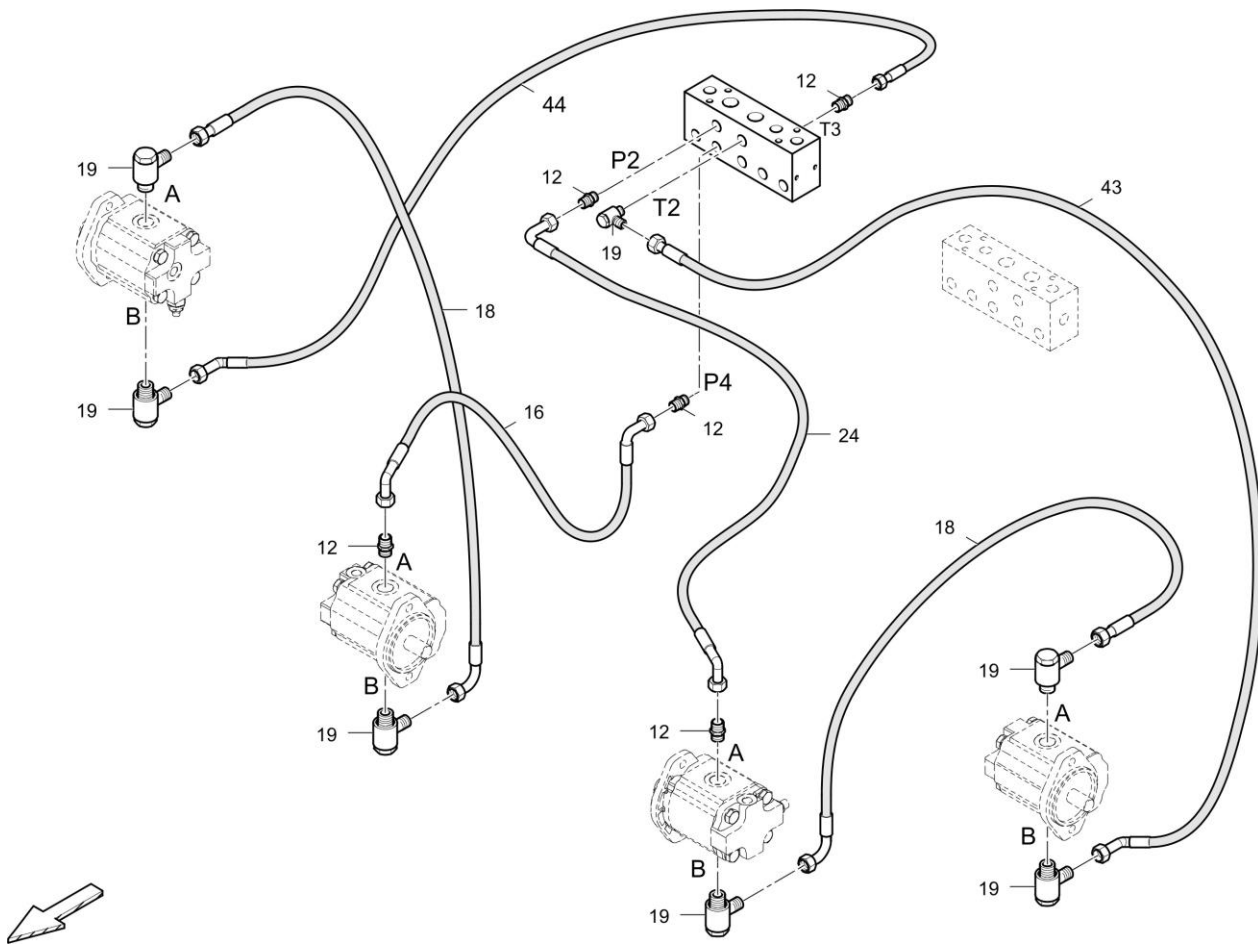


Item	Part No.	Name	Qty	L	C	SN INFO
1	40-4812032123	Tamper frame	1			
3	40-4812005471	Boss	1			
4	40-4812044123	Sleeve	1			
5	40-4730008748	Spacer	4			
6	40-4730012257	Spacer	2			
7	40-4730005134	Spacer	1			
8	40-4730012260	Coupling	1			
9	40-4730014426	Support block	1			
10	40-4730014428	Rocker assy	2			
11	40-4730014442	Adjusting screw	2			
12	40-D606021001	Flange	1			
13	40-D606021002	Spacer block	1			
14	40-D706021301	Tamper shaft	1			
15	40-4812227162	Housing	1			
16	40-4730015279	Block	1			
17	40-4730015281	Support block	1			
18	40-4749901806	Washer	2			

Refer to Parts Online for the most up to date information. The printed information might be outdated.

Wed Apr 06 09:27:39 UTC 2022

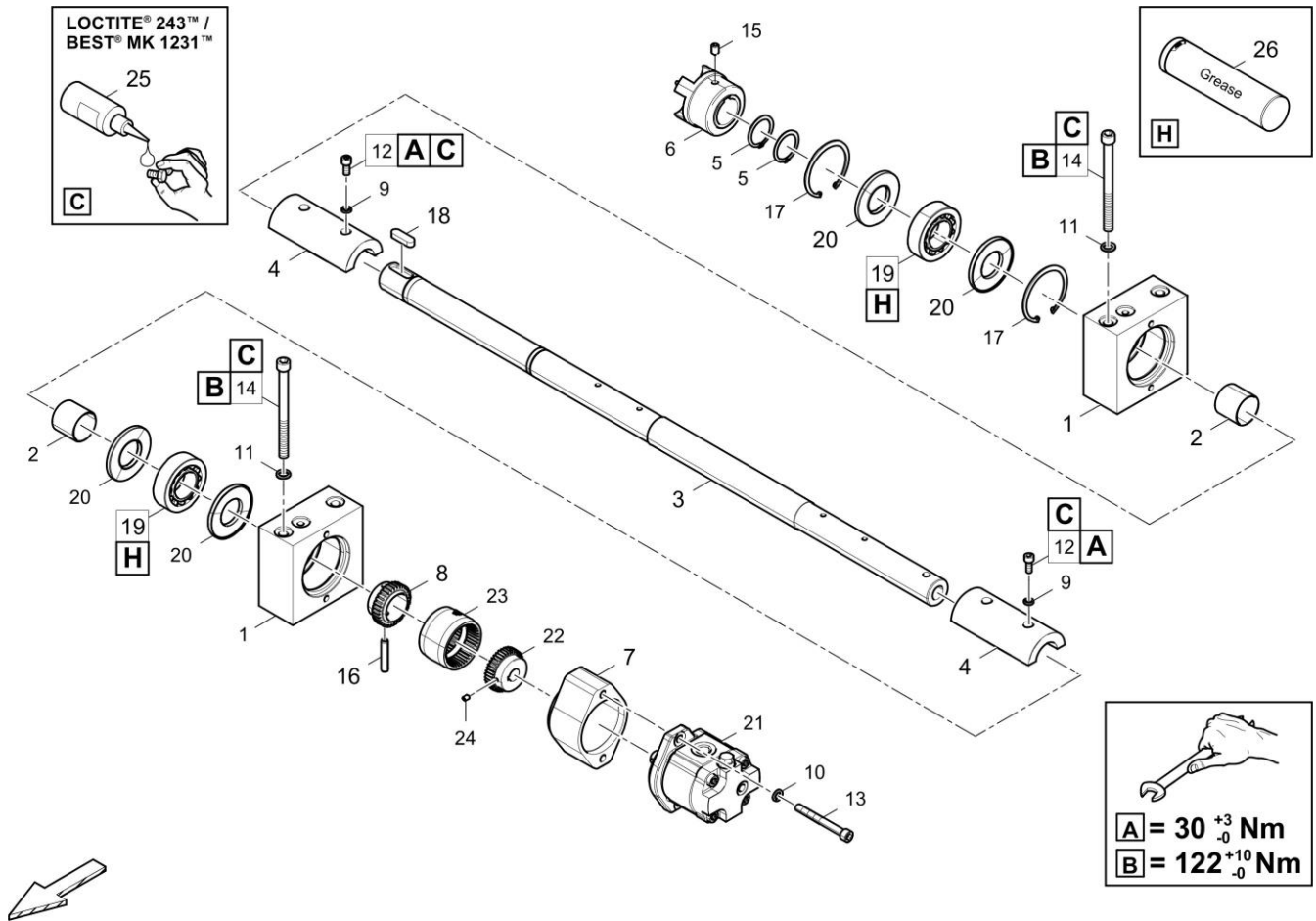
**Hydraulic tamper 40-4812033475C Hydraulic, Tamper**



Refer to Parts Online for the most up to date information. The printed information might be outdated.

Wed Apr 06 09:27:42 UTC 2022

Vibration VTR 40-4812233164 Vibration VTR

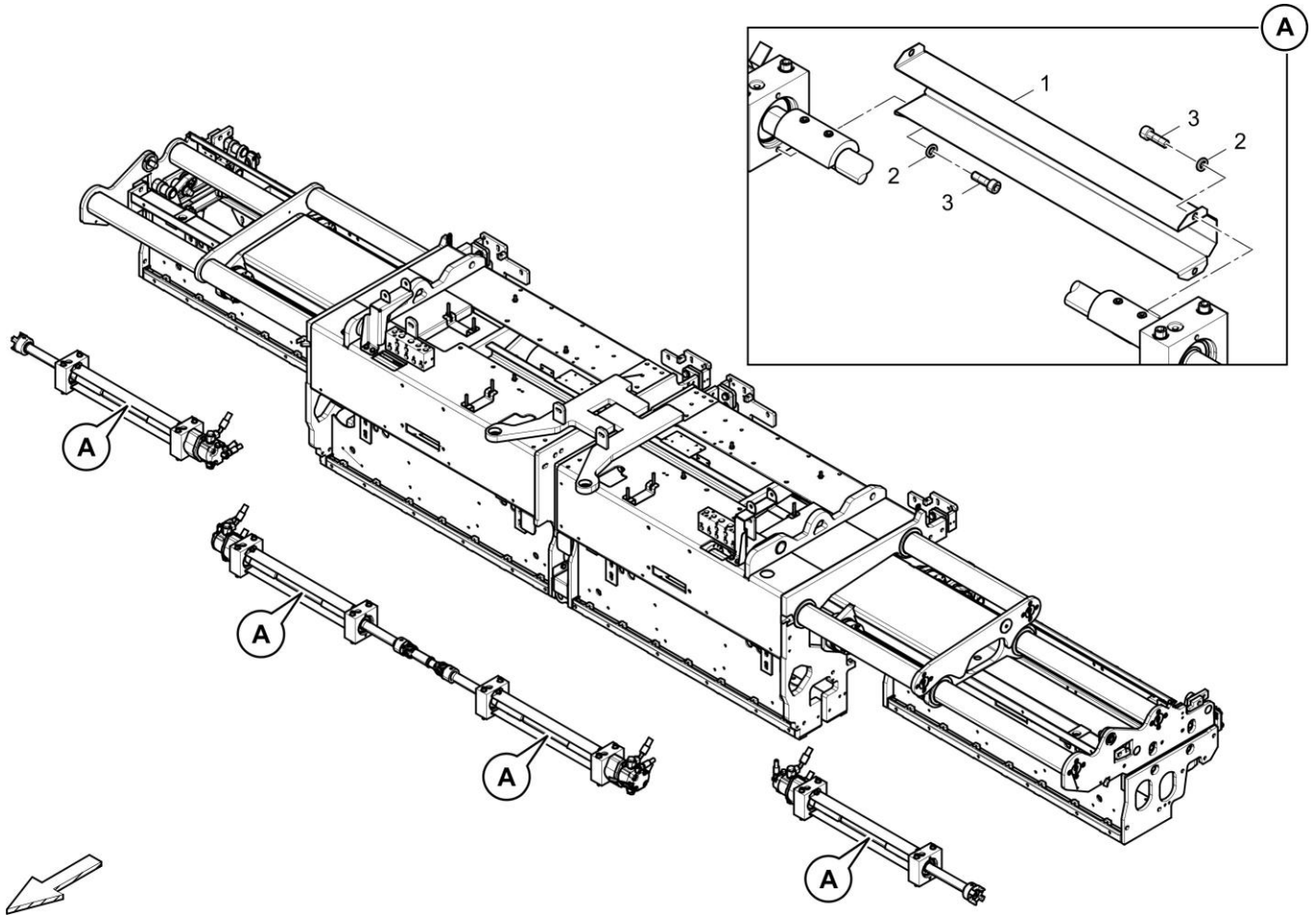


Item	Part No.	Name	Qty	L	C	SN INFO
1	40-4812233617	Bearing	2			
2	40-4812027252	Spacer	2			
3	40-4812031832	Vibration tube	1			
4	40-4812009757	Kinetic energy mass	2			
5	40-4749900349	Circlip	2			
6	40-4730014758	Coupling	1			
6.1	40-4749400974	Coupling piece	1			
6.2	40-4749900664	Dowel sleeve	1			
7	40-4812012552	Housing	1			
8	40-4730012328	Joint part	1			
9	40-4749901806	Washer	4			
10	40-4749901807	Lock washer	2			
11	40-4749901808	Washer	4			
12	40-0211132303	Hex. socket screw	4			
13	40-0211137503	Screw	2			
14	40-0211110440	Hexagon socket head cap screw	4			

Refer to Parts Online for the most up to date information. The printed information might be outdated.

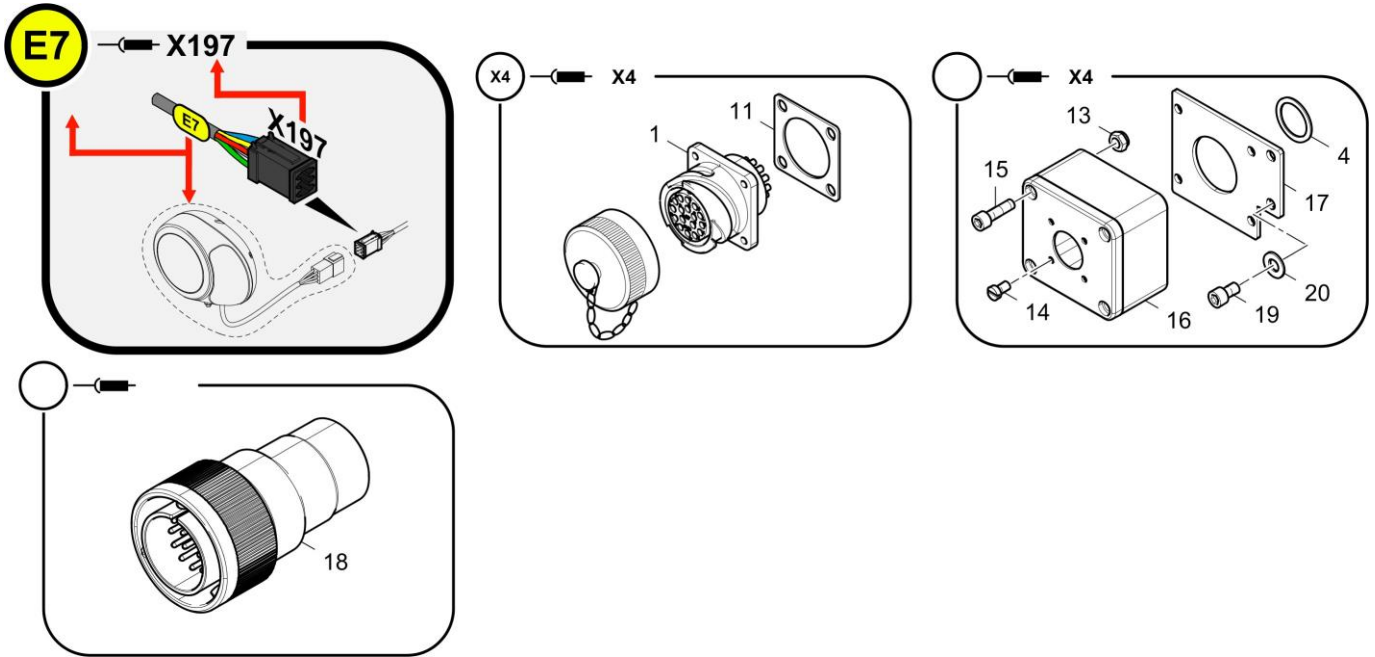
Wed Apr 06 09:27:47 UTC 2022

**Guard plate for vibration** 40-4812234261 Guard plate for vibration



Item	Part No.	Name	Qty	L	C	SN INFO
1	40-4812234276	Guard plate for vibration	4			
2	40-4749901807	Lock washer	16			
3	40-0211136003	Hex socket screw	16			

## Harness 40-4812015273 Harness



Item	Part No.	Name	Qty	L	C	SN INFO
1	40-D977479787	Socket	1			
4	40-4812076773	Gasket	1			
11	40-D977416567	Sealing	1			
13	40-0291112862	Hexagon nut	2			
14	40-0160099742	Slotted screw	4			
15	40-0211117403	Cap screw	2			
16	40-4812076648	Socket enclosure	1			
17	40-4812077052	Socket holder	1			
18	40-4812016881	Dummy plug	1			
19	40-4812217392	Hexagon socket head cap screw	2			
20	40-0333310055	Washer	2			

Refer to Parts Online for the most up to date information. The printed information might be outdated.

Wed Apr 06 09:27:57 UTC 2022

CLICK HERE TO **DOWNLOAD** THE COMPLETE MANUAL

- Thank you very much for reading the preview of the manual.
- You can download the complete manual from: [www.heydownloads.com](http://www.heydownloads.com) by clicking the link below



- Please note: If there is no response to CLICKING the link, please download this PDF first and then click on it.

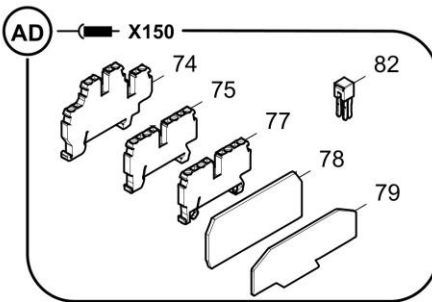
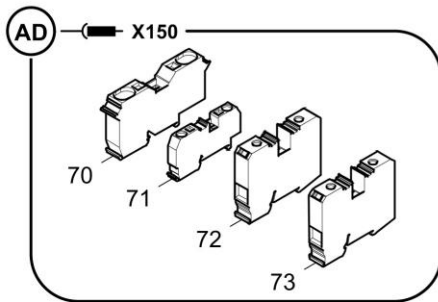
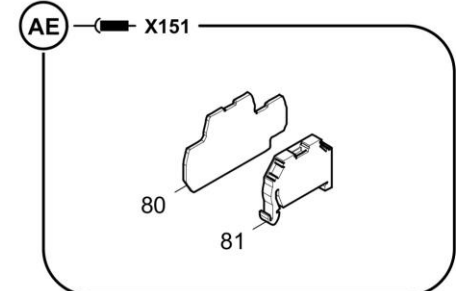
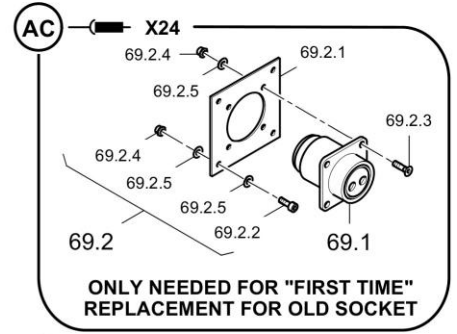
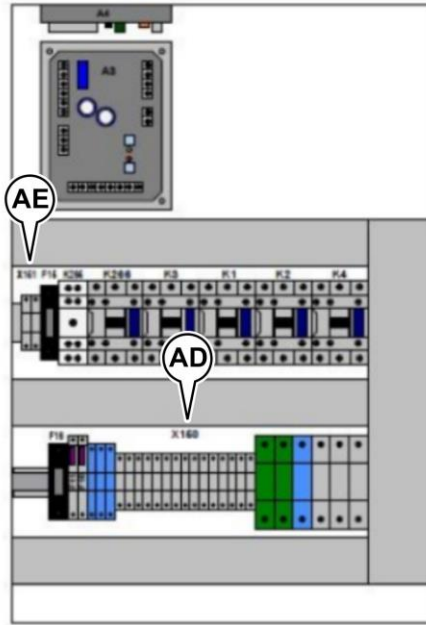
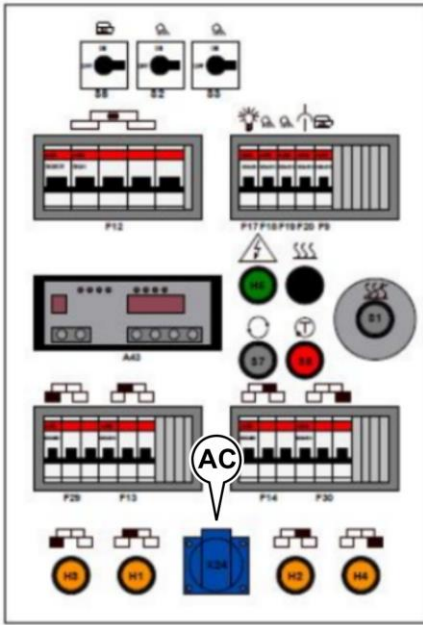
CLICK HERE TO **DOWNLOAD** THE COMPLETE MANUAL

Item	Part No.	Name	Qty	L	C	SN INFO
37	40-D977580296	Signal light, yellow	4			
38	40-D977580297	Signal light, green	1			
39	40-4812074901	Lamp base, green	1			
41	40-D977580287	Push button, red	1			
42	40-D977580288	Push button	1			
43	40-4812018038	Push button	1			
44	40-4812216599	Camswitch	3			
46	40-D977580293	Retainer	7			
47	40-4812074912	Lamp base, yellow	4			
48	40-4812074913	Lamp base, red	1			
49	40-4812035472	Plug housing	1			
50	40-4812035685	Plug	1			
51	40-4812035470	Plug housing 2-pin	1			
52	40-4812035509	Female contact	12			
54	40-4812012728	Power breaker	2			
55	40-4812012729	Power breaker	2			
57	40-4812029172	Control unit	1			
58	40-D978035904	Earth leakage monitor	1			
60	40-4812007368	Insert	2			
61	40-D977463143	Socket contact	2			
62	40-D977463153	Insert	4			
63	40-D977463185	Mounting box	2			
64	40-D977463152	Mounting box	4			
65	40-D977463142	Mounting housing	2			
66	40-D977478247	Dust cap	4			
67.1	40-4812077547	Plug-in socket	1			
67.2	40-4812078354	Conversion kit, socket plug	1			
67.2.1	40-4812078149	Adapter plate	1			

ONLY  
NEEDED  
FOR  
FIRST  
TIME  
REPLACE  
MENT  
FOR  
OLD  
SOCKET

Refer to Parts Online for the most up to date information. The printed information might be outdated.

Wed Apr 06 09:28:02 UTC 2022

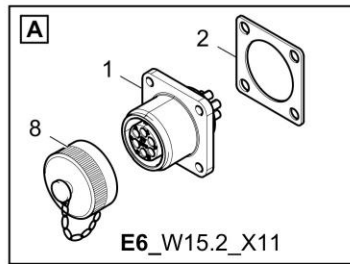
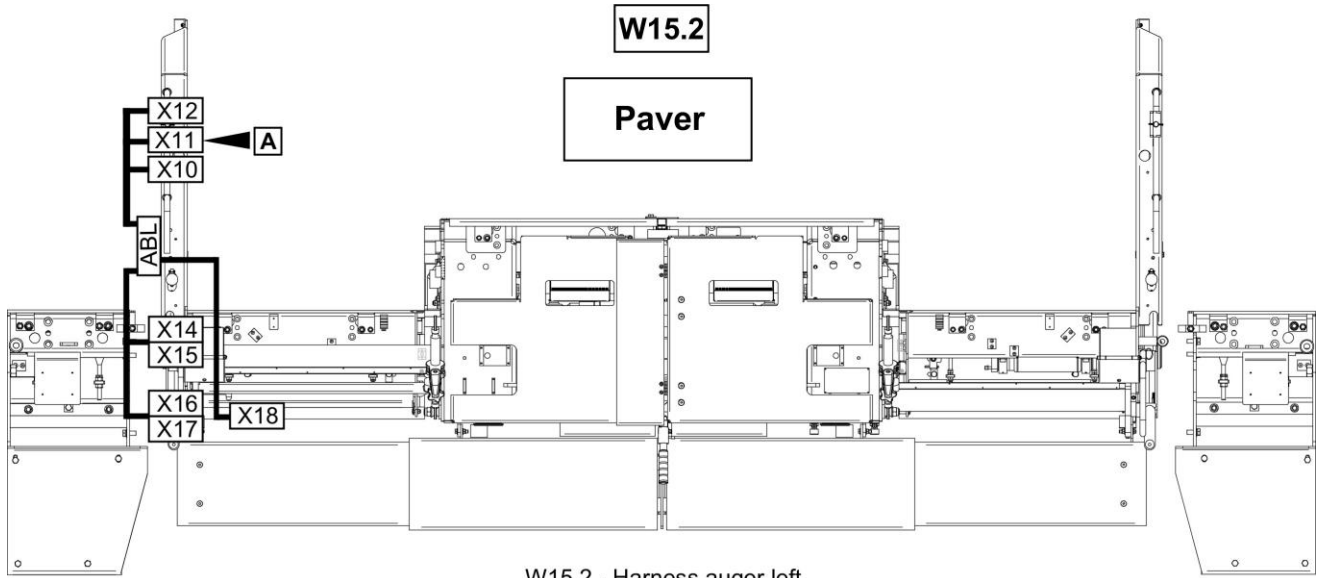


Item	Part No.	Name	Qty	L	C	SN INFO
1	40-4812071020	Control box			Old - Control box	Valid from s/n G003232, 3282, 3430, ff
1.1	40-4812071018	Control box	1			
1.1.1	40-4812227510	Lock, cpl. (w/o key)	2			
1.1.2	40-4812024627	Key	1			
1.2	40-4812014108	Foil stickers	1			
2	40-4812076489	Control box 33 KVA			New - Control box	For locking system # 603
2.1	40-4812076494	Switch cabinet	1			
2.1.1	40-4812076277	Rotary latch lock	2			
2.1.1.1	40-4812076255	Lock	1			
2.1.1.2	40-4812075475	Switch	1			
2.1.2	40-4812075369	Key	1			
2.2	40-4812077024	Foil stickers	1			
4	40-D977451039	Window	4			
25	40-4812032799	Overload release	1			

Refer to Parts Online for the most up to date information. The printed information might be outdated.

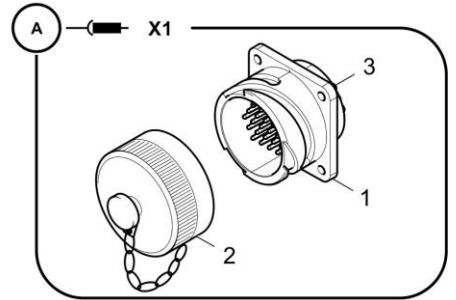
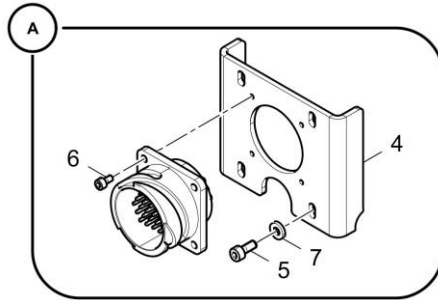
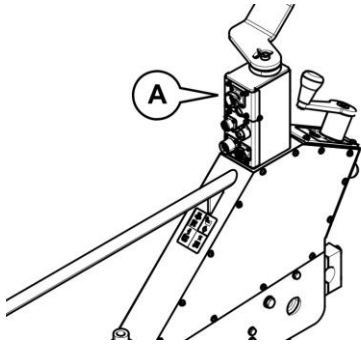
Wed Apr 06 09:28:09 UTC 2022

**Harness 40-4812016097 Harness**



Item	Part No.	Name	Qty	L	C	SN INFO
1	40-4812073676	Socket	1			
2	40-D977416564	Sealing	1			
8	40-4812073687	Dust cap	1			

**Dummy plug** 40-4812217456 Dummy plug

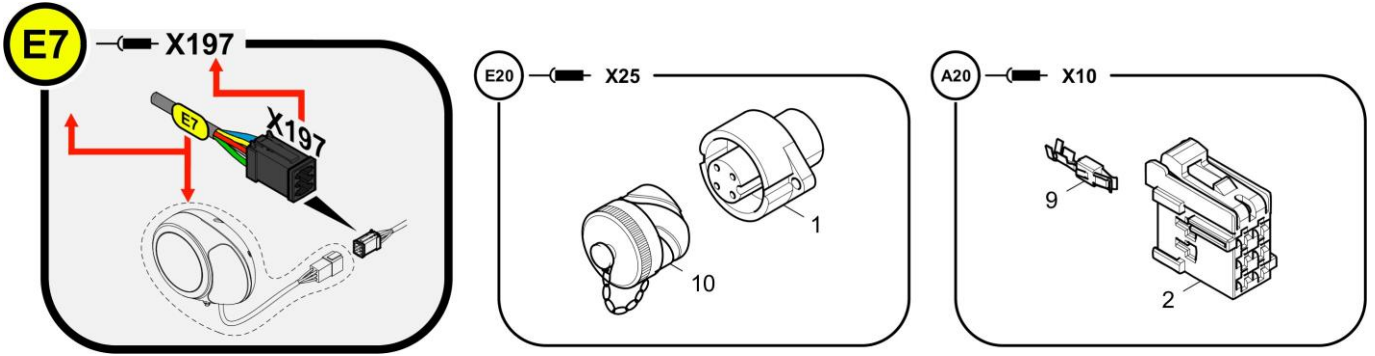


Item	Part No.	Name	Qty	L	C	SN INFO
1	40-4812073677	Plug	1			
2	40-4812074181	Dust cap	1			
3	40-4739150064	Shrink hose	1			
4	40-4812060076	Cover plate	1			
5	40-4812216710	Screw	4			
6	40-D937930103	Cylinder screw	4			
7	40-4812202818	Lock washer	4			

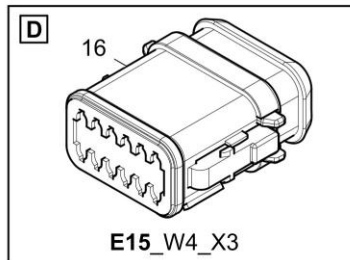
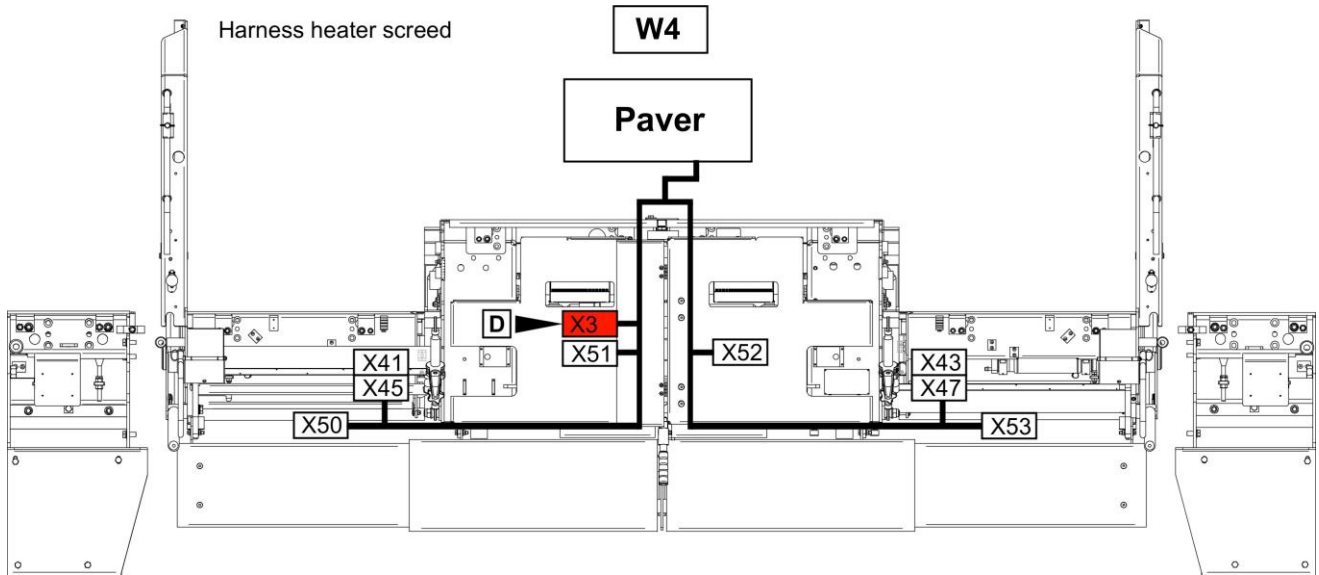
Refer to Parts Online for the most up to date information. The printed information might be outdated.

Wed Apr 06 09:28:19 UTC 2022

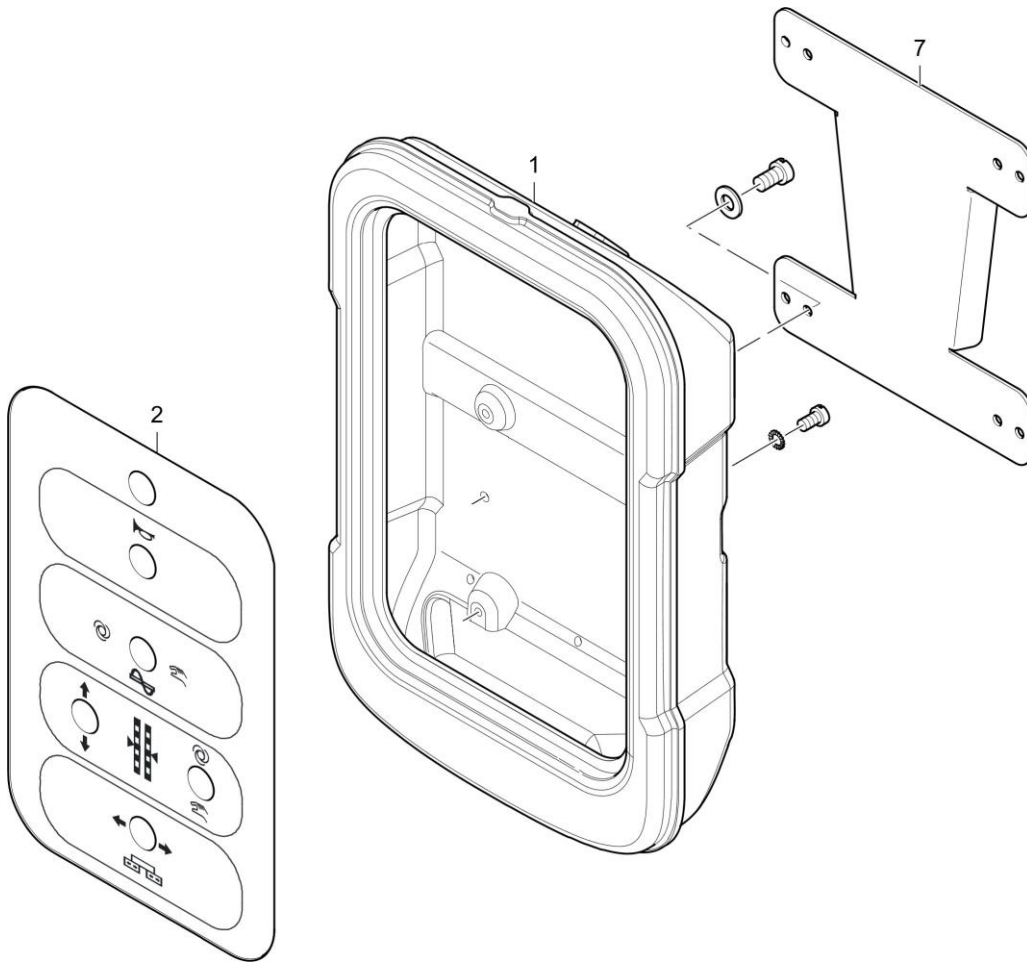
**Harness W16.4** 40-4812072500 Harness W16.4



Item	Part No.	Name	Qty	L	C	SN INFO
1	40-D977465404	Installation box	1			
2	40-4812046164	Power-timer housing	1			
9	40-4812030987	Female contact	2			
10	40-D977465408	Protection cap	1			



Item	Part No.	Name	Qty	L	C	SN INFO
13	40-D977477184	Plug	1			
14	40-D977463038	Plug insert	1			
15	40-D977463169	Plug insert	1			
16	40-4812031377	Plug	1			
17	40-D977463173	Socket shell	1			
18	40-D977463119	Male contact	1			
19	40-D977463147	Socket shell	1			
21	40-D977478231	Sealing	1			

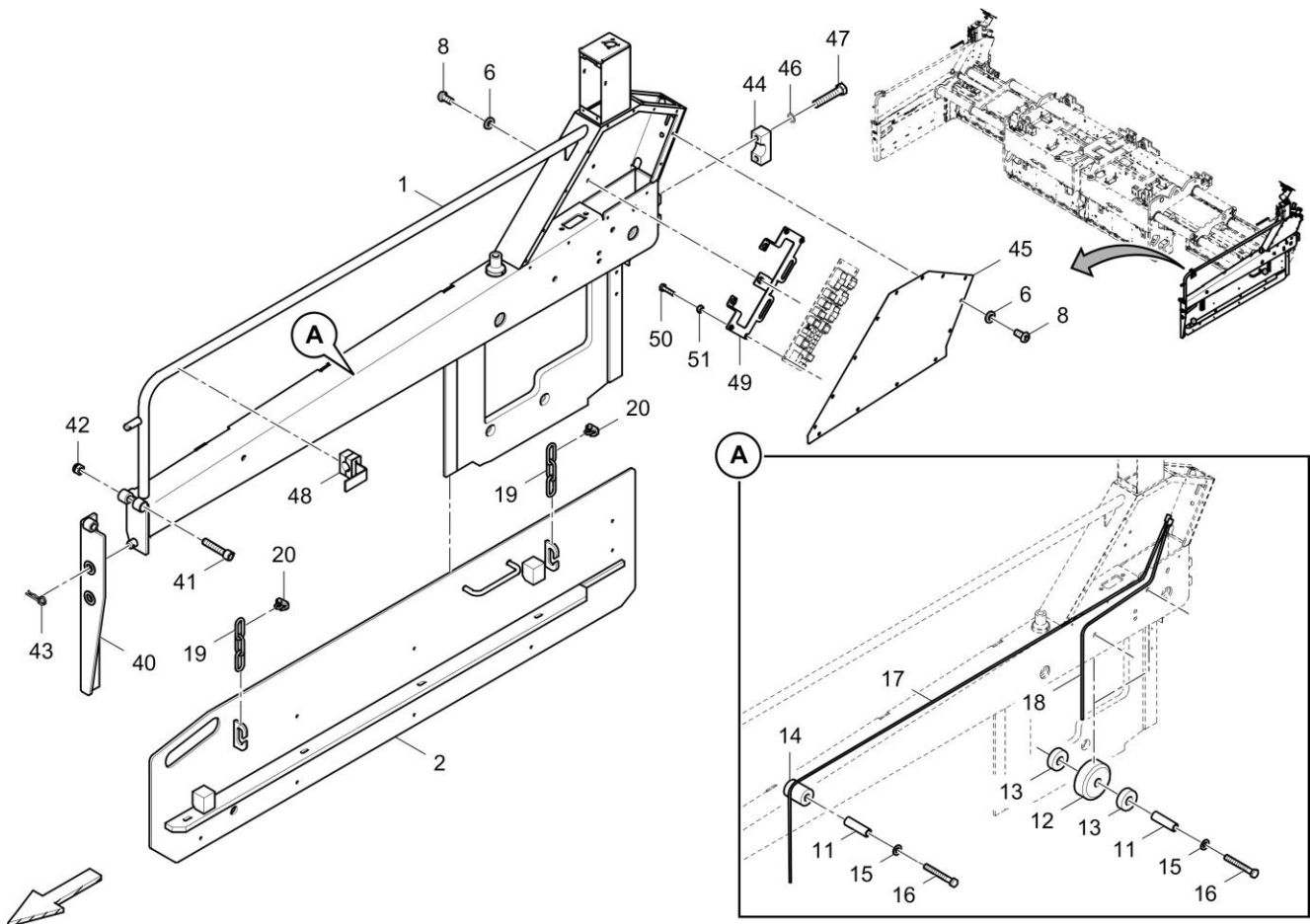
**Housing** 40-4812024556 Housing

Item	Part No.	Name	Qty	L	C	SN INFO
1	40-4812024558	Housing	1			
2	40-4812016233	Foil stickers	1			
7	40-4812035683	Retainer plate	1			

Refer to Parts Online for the most up to date information. The printed information might be outdated.

Wed Apr 06 09:28:35 UTC 2022

**End plate, l.h. 40-4812216494 End plate, l.h.**

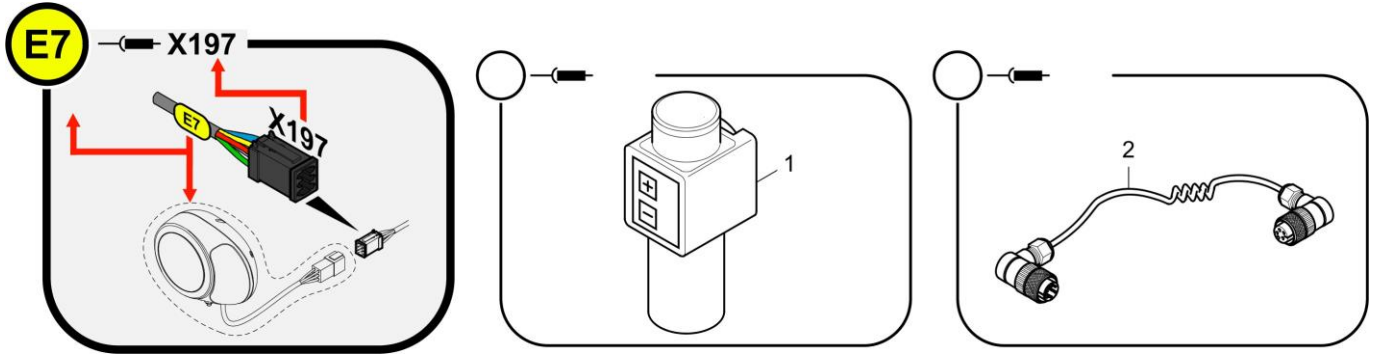


Refer to Parts Online for the most up to date information. The printed information might be outdated.

Wed Apr 06 09:28:40 UTC 2022

Item	Part No.	Name	Qty	L	C	SN INFO
17	40-4812216448	Crank handle	1			
18	40-0300013040	Flat washer	1			
19	40-0215000621	Flat headed screw	1			
20	40-4749302381	Handle	1			
21	40-4812217149	Adhesive foil	1			
22	40-4812161897	Paver Grease / 1 cartridge	1			

**Electric, sonic sensor** 40-4812076856 Electric, sonic sensor

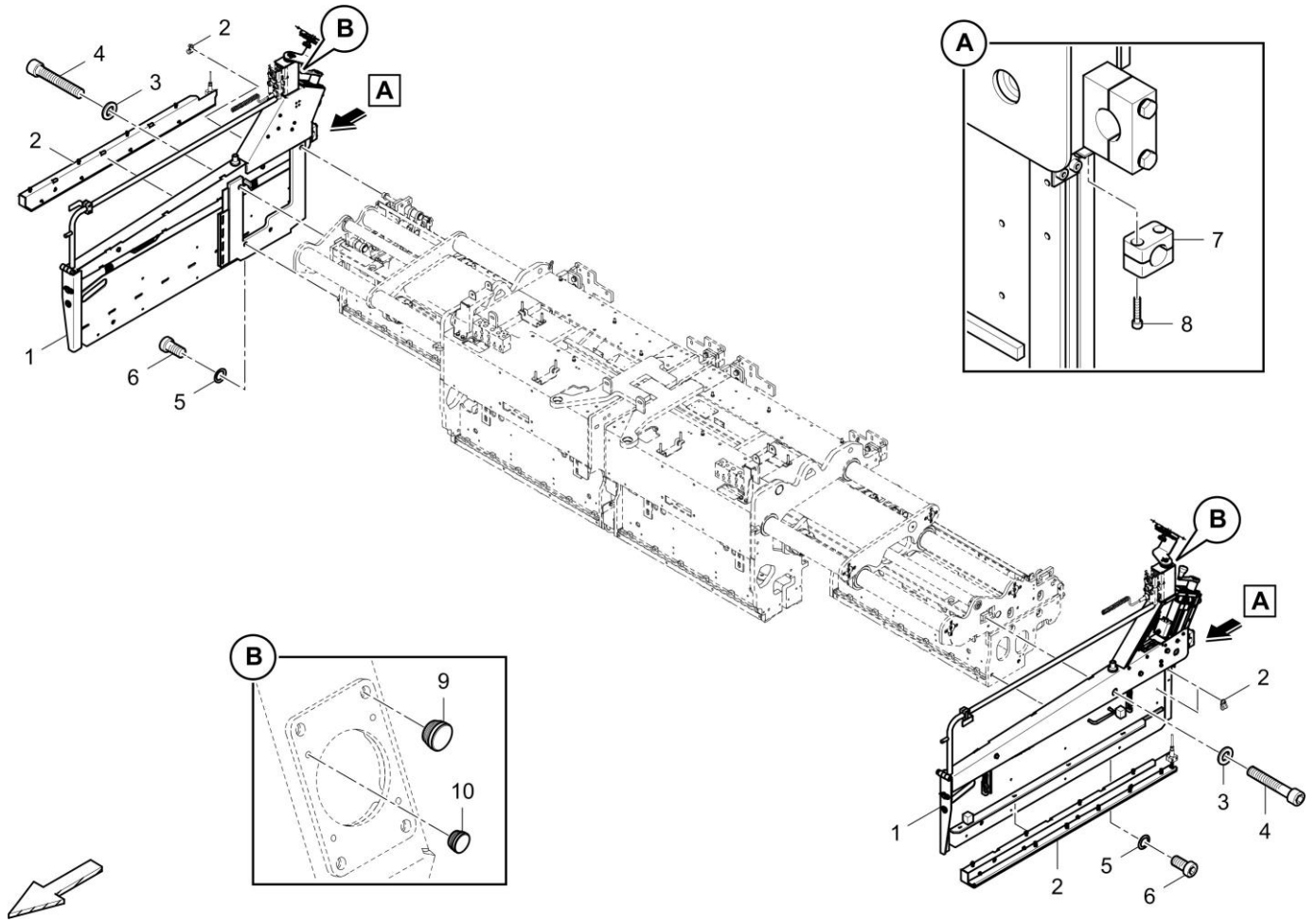


Item	Part No.	Name	Qty	L	C	SN INFO
1	40-4812076487	Sonic sensor	1			
2	40-4812014281	Cable, sonic sensor	1			

---

	Referenced Pages	
40-4720003740 Safety lock .....		455
	Referenced Pages	
40-4812239626 End plate, r.h. ....		456

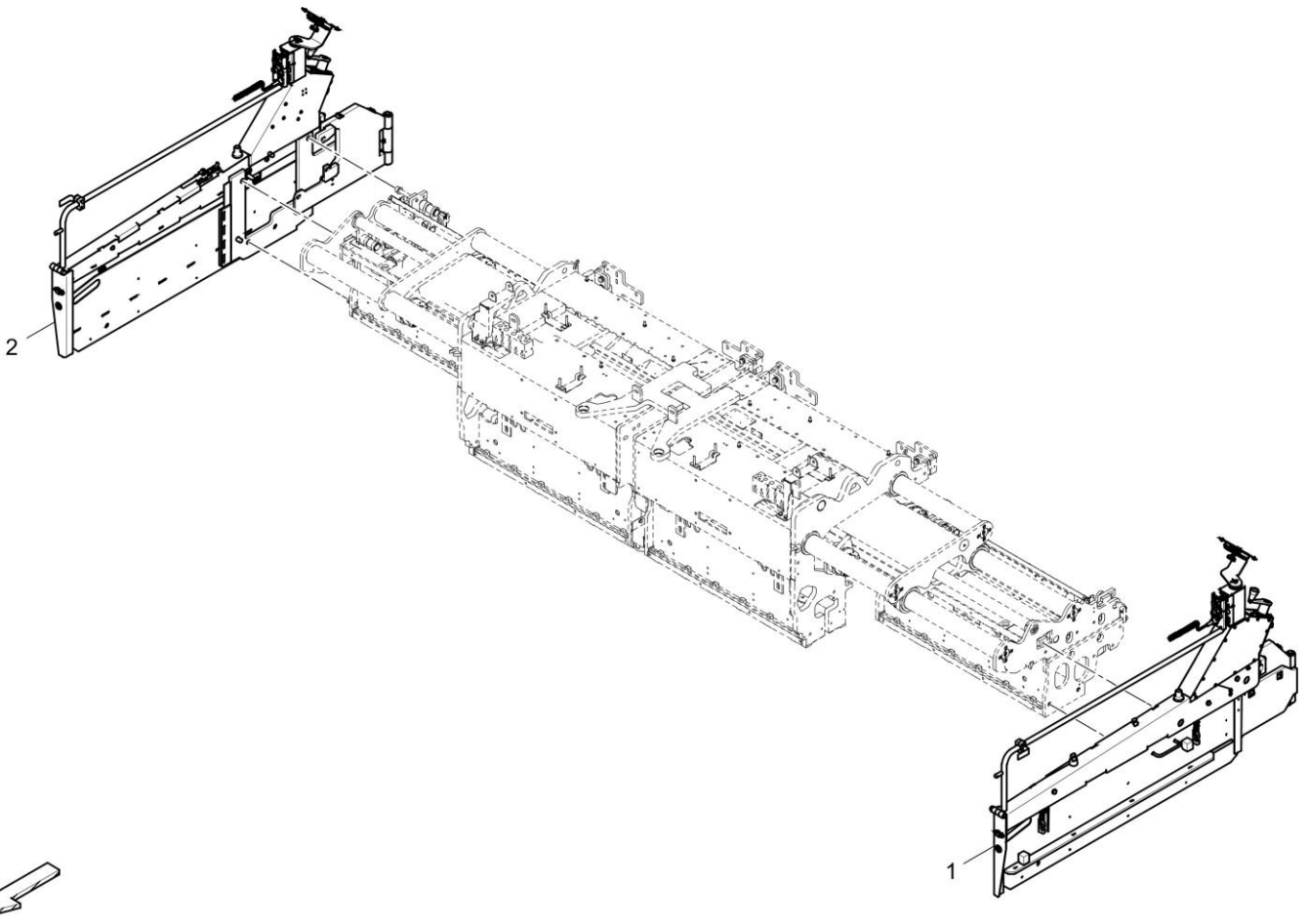
**40-4812239690 El. end plate heating with skid, l.h. & r.h.** 40-4812239690 El. end plate heating with skid, l.h. & r.h.



Item	Part No.	Name	Qty	L	C	SN INFO
1	40-4812239667	End plate, cpl	1			
2	40-4812238857	El. heating, end plate with skid l.h. & r.h.	1			
2	40-4812075621	El. heating, end plate with skid l.h. & r.h.	1			Valid from s/n 3103512, ff
3	40-0333310053	Washer	4			
4	40-0211196064	Hexagon socket head cap screw	4			
5	40-0333310044	Lock Washer	4			
6	40-0215001074	Hexagon socket head cap screw	4			
7	40-4749300093	Clamp	2			
8	40-0211125003	Screw, M6x30, 8.8	4			
9	40-4812018545	Plug	4			
10	40-4812018546	Plug	4			

Refer to Parts Online for the most up to date information. The printed information might be outdated.

Wed Apr 06 09:28:50 UTC 2022

**End plate, cpl** 40-4812239692 End plate, cpl

Item	Part No.	Name	Qty	L	C	SN INFO
1	40-4812239684	End plate, l.h.	1			
2	40-4812239685	End plate, r.h.	1			

Item	Part No.	Name	Qty	L	C	SN INFO
19	40-4749302415	Rope clamp	2			
20	40-4812239634	Sheet	1			
21	40-4812024051	Sheet	1			
22	40-0301233500	Plain washer	4			
23	40-0147132403	Hex.bolt	2			
24	40-4812238577	Holder plate, r.h.	1			
25	40-0147132203	Hexagon head screw	2			
26	40-4812216375	Flanged bush	1			
27	40-0211124403	Hex.socket cap screw	3			
28	40-0211124703	Hex sock. screw	1			
29	40-4812216366	Washer	1			
30	40-4812217535	Holder for remote control	1			
31	40-0211110430	Hexagon socket head cap screw	1			
32	40-4749900481	Cup spring	3			
33	40-0261109962	Hexagon nut	2			
34	40-4812215994	Swallowtail	1			
35	40-4812216536	Lock washer	4			
36	40-D938182490	Hexagon screw	4			
37	40-D937180619	Hex. nut	1			
38	40-4812216530	Cocking handle	1			
39	40-4812235681	Holding device	1			
40	40-0211110424	Hexagon socket head cap screw	1			
41	40-5730007656	Hexagon nut	1			
42	40-4749300213	Spring cotter	1			
43	40-4812231350	Fixture	1			
44	40-4812216514	Cover plate	1			
45	40-0333310043	Schnorr-lock washer	2			
46	40-0147140705	Hexagon head screw	2			
47	40-4720003740	Safety lock	1			
48	40-4812023964	Holding plate	1			
49	40-0147117303	Hex. head screw	4			
50	40-0266210600	Hexagon nut M4	4			
51	40-4812234680	Hinge, r.h.	1			
52	40-4812234681	Hinge bolt locking	1			
53	40-0300013042	Flat washer	2			
54	40-0147139803	Hex. head screw	2			
55	40-D935513220	Grease nipple	1			
56	40-0147132303	Hexagon bolt	2			

Refer to Parts Online for the most up to date information. The printed information might be outdated.

Wed Apr 06 09:28:55 UTC 2022

---

Referenced Pages

40-4812061148 Spindle, r.h. .... 459

---

Referenced Pages

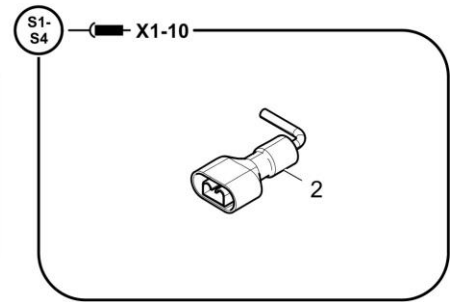
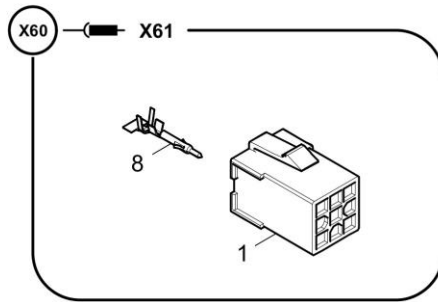
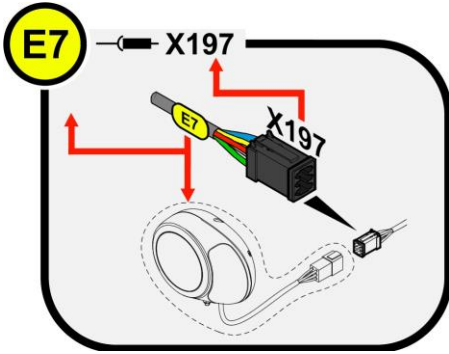
40-4812061148 Spindle, r.h. .... 459

Item	Part No.	Name	Qty	L	C	SN INFO
19	40-0301233500	Plain washer	2			
20	40-0147132403	Hex.bolt	2			
21	40-4749900481	Cup spring	3			
22	40-0261109962	Hexagon nut	2			
23	40-4812216375	Flanged bush	1			
24	40-0211124403	Hex.socket cap screw	3			
25	40-0211124703	Hex sock. screw	1			
26	40-4812216366	Washer	1			
27	40-4812217522	Holder for remote control	1			
28	40-D938182490	Hexagon screw	4			
29	40-4812215994	Swallowtail	1			
30	40-D937180619	Hex. nut	1			
31	40-4812216530	Cocking handle	1			
32	40-4812216536	Lock washer	4			
33	40-0211110430	Hexagon socket head cap screw	1			
34	40-4812023964	Holding plate	1			
35	40-0266210600	Hexagon nut M4	4			
36	40-0147117303	Hex. head screw	4			
37	40-0333310055	Washer	20			
38	40-0215000621	Flat headed screw	17			
39	40-4812216514	Cover plate	1			
40	40-4812234034	Safety lock	1			
41	40-4812234039	Support plate	1			
42	40-D939476170	Countersunk screw	2			
43	40-4812231350	Fixture	1			
44	40-0333310043	Schnorr-lock washer	2			
45	40-0147140705	Hexagon head screw	2			
46	40-4749300509	Clamp	2			
47	40-4749300383	Cover plate	2			
48	40-0147132712	Screw DIN933	2			
49	40-4747400056	Thread locking, 50ml	1			
50	40-4812217178	Adhesive foil, l.h.	1			
52	40-0333310053	Washer	2			
53	40-4812161897	Paver Grease / 1 cartridge	1			

Refer to Parts Online for the most up to date information. The printed information might be outdated.

Wed Apr 06 09:28:59 UTC 2022

**Harness W15.10** 40-4812072753 Harness



Item	Part No.	Name	Qty	L	C	SN INFO
1	40-4812013151	Socket	1			
2	40-4812042732	Tab	2			
8	40-4812013158	Male contact	7			

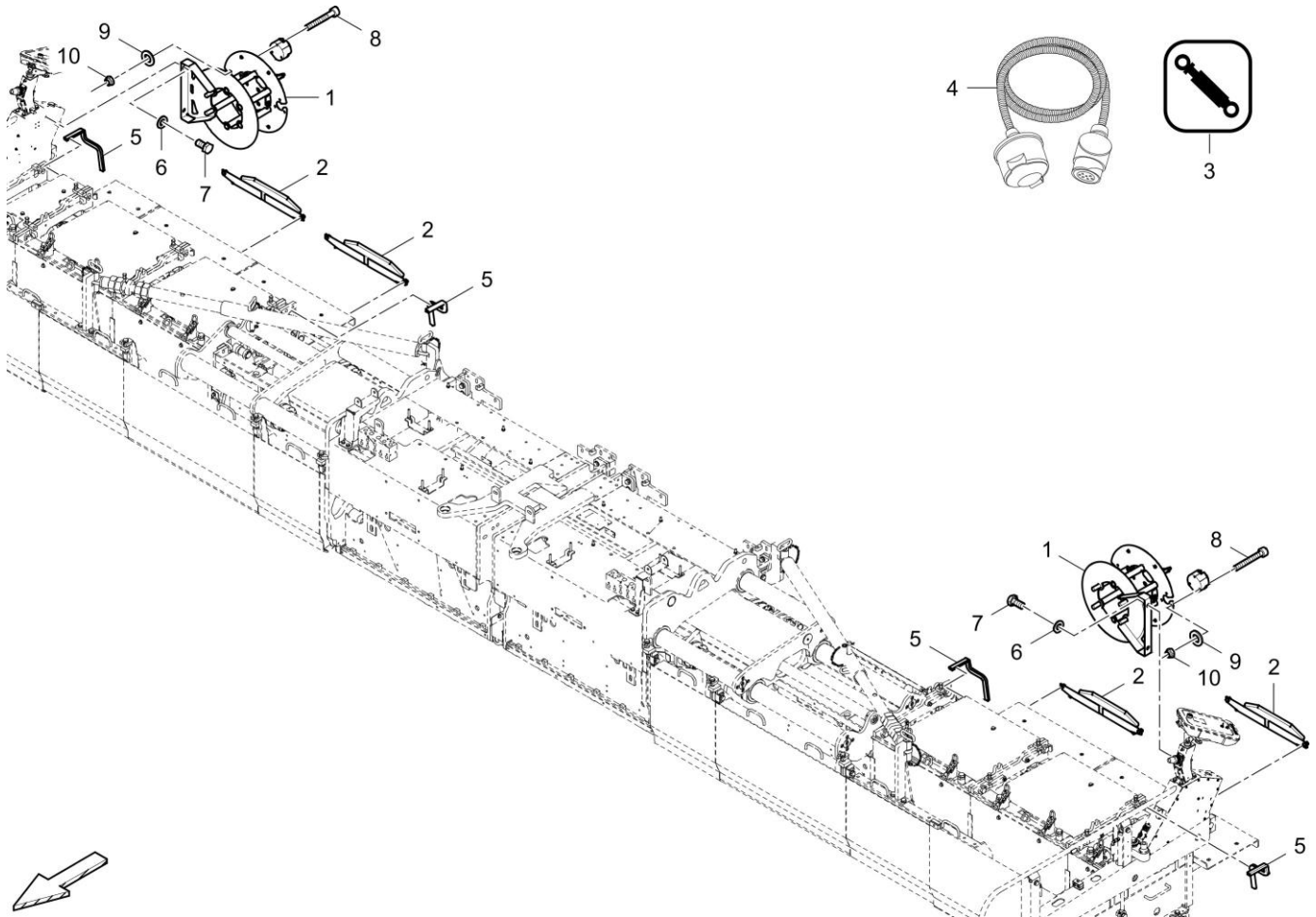
Item	Part No.	Name	Qty	L	C	SN INFO
12	40-D933569400	Coupling	4			
13	40-D933538284	Coupling	4			
14	40-4812010136	Dust cap	4			
15	40-D933538287	Dust cap	4			
16	40-4812010139	Dust cap	4			
17	40-D961919009	Swivel nut branch tee	1			
18	40-D961935229	Male connector	1			
20	40-D961917007	Elbow socket	1			
22	40-4812010322	Hose	1			
23	40-D961917006	Elbow socket	12			
27	40-D961772668	Test point	1			
28	40-4812010321	Hose	1			
29	40-4812010655	Hose	4			
30	40-4812010656	Hose	2			
31	40-0147133803	Screw	2			
32	40-D961355037	Swivel nut branch tee	8			
35	40-4812201012	Hose	2			
36	40-4812201017	Hose	2			
37	40-4812019630	Hose	2			
38	40-4812201018	Hose	2			
39	40-4812076916	Hose	2			

---

Referenced Pages

40-4812010359 Plate, r.h. .... 546

**40-4812232180 End pl. hydr., accessories** 40-4812232180 End pl. hydr., accessories

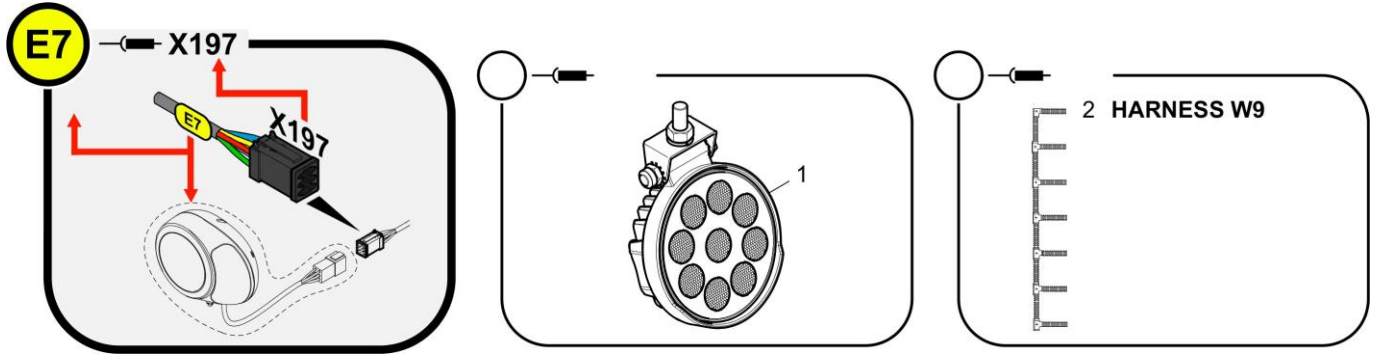


Item	Part No.	Name	Qty	L	C	SN INFO
1	40-4812232055	Drum	2			
2	40-4812010948	Loading hose	4			
3	40-4812010743	Hyd. end plate AB 616/617	1			
4	40-4812011076	Connection cable	2			
4.1	40-4812041899	Plug	1			
4.15	40-4812007947	Socket	1			
5	40-4747200017	Cleat x m	1.2			
6	40-0333310051	Lock washer	4			
7	40-0147136003	Screw cap	4			
8	40-D937930175	Cylinder screw	6			
9	40-0301231800	Flat washer	6			
10	40-0291118503	Hexagon nut	6			

Refer to Parts Online for the most up to date information. The printed information might be outdated.

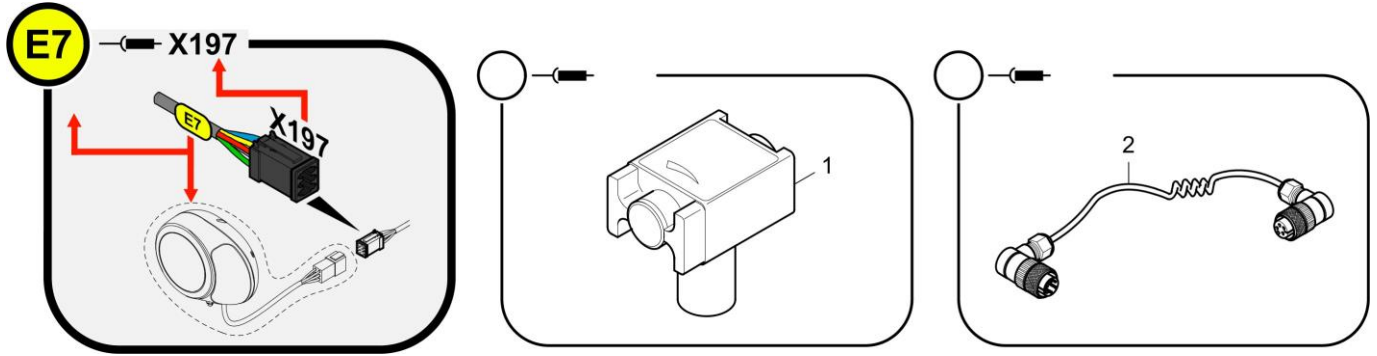
Wed Apr 06 09:29:07 UTC 2022

**40-4812074772 Lighting side plate** 40-4812074772 Electric, lighting side plate

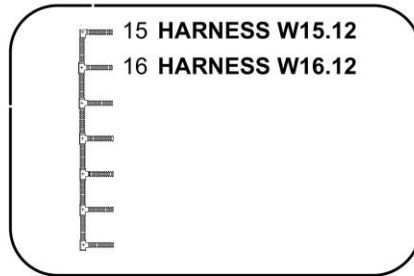
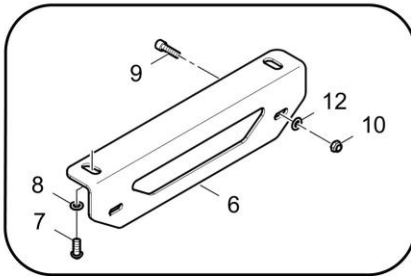
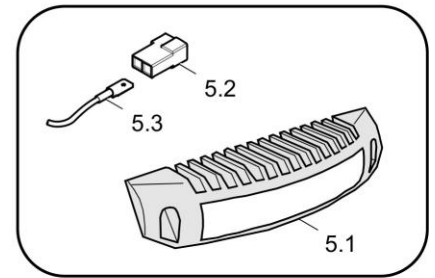
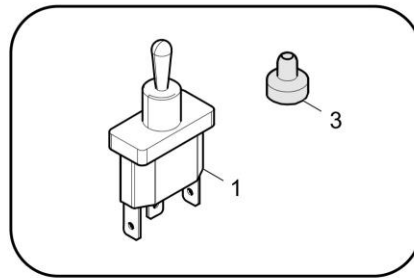
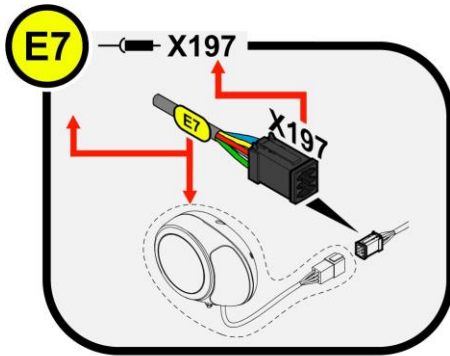


Item	Part No.	Name	Qty	L	C	SN INFO
1	40-4812074770	Spot light	1			
2	40-4812013628	Harness W9	1			

**Electric, sonic sensor** 40-4812015271 Electric sonic sensor



Item	Part No.	Name	Qty	L	C	SN INFO
1	40-D977738016	Sonic sensor, PLC Version	1			
2	40-4812217230	Cable, sonic sensor	1			

**40-4812071159 Electric plc, lighting side plate** 40-4812071159 Electric plc, lighting side plate

Item	Part No.	Name	Qty	L	C	SN INFO
1	40-D977532017	Toggle switch	2			
3	40-4812075374	Sealing cap	2			
5	40-4812215405	Spotlight	2			
5.1	40-4812215132	Spotlight	1			
5.2	40-D977330126	Plug housing	1			
5.3	40-D977396215	Tab	2			
6	40-4812024878	Retainer	2			
7	40-0215001064	Hex. Head screw M8 x 25	4			
8	40-0333310050	Lock washer	4			
9	40-0211120703	Screw	4			
10	40-0291110700	Locknut	4			
12	40-0300013037	Flat washer	4			
15	40-4812072755	Harness W15.12	1			
16	40-4812072758	Harness W16.12	1			

Refer to Parts Online for the most up to date information. The printed information might be outdated.

Wed Apr 06 09:29:16 UTC 2022

---

	Referenced Pages	
40-4812239846 End plate, r.h. ....		541
	Referenced Pages	
40-4812239882 End plate, cpl .....		537

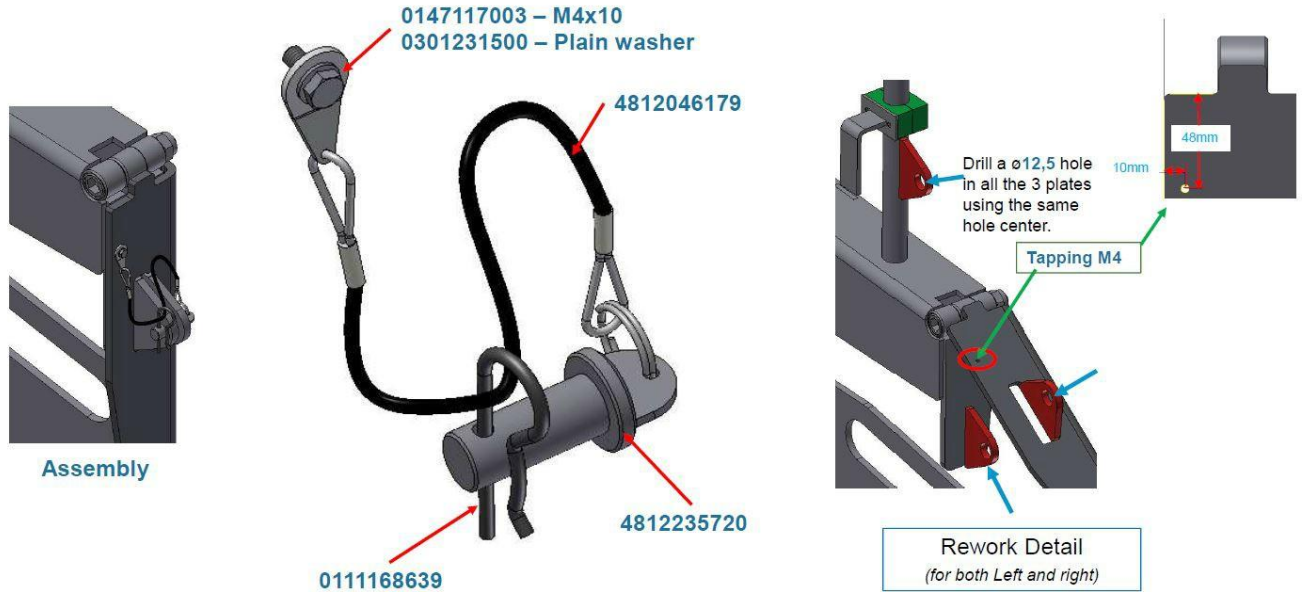
---

	Referenced Pages	
40-4812010450 Control block .....		561
40-4812076668 Control block .....		562
	Referenced Pages	
40-4812019249 Hydraulic, end plate .....		558

**Kit, for the front pin** 40-4812201086 Kit, for the front pin

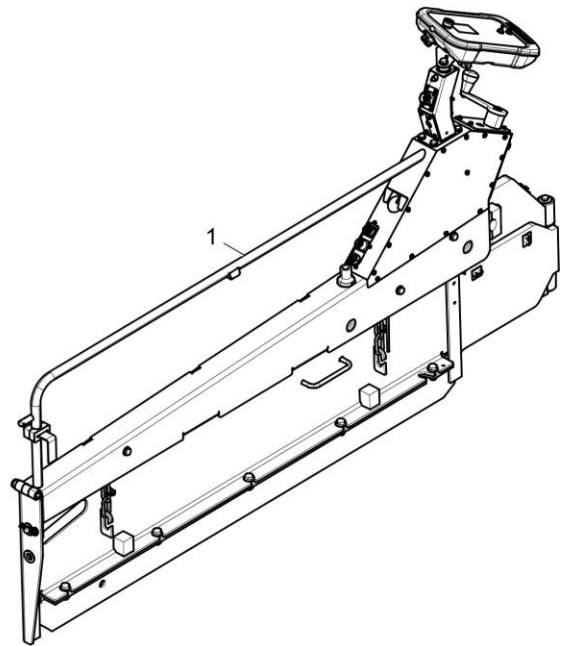
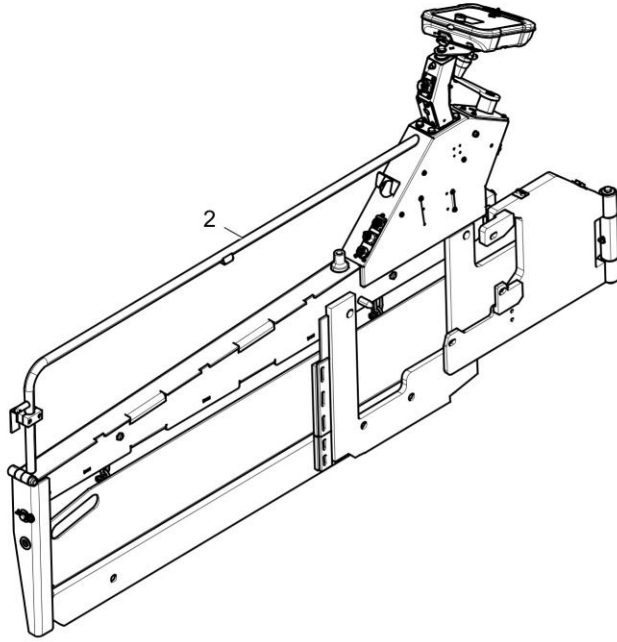
**KIT- INSTALLATION DETAILS**

FOR THE SIDE SHIELD FRONT PIN



Item	Part No.	Name	Qty	L	C	SN INFO
1	40-4812235720	Pin	2			
2	40-0111168639	Locking clip	2			
3	40-4812046179	Rope	2			
4	40-0147117003	Screw	2			
5	40-0301231500	Plain washer	2			

**End plate, l.h. & r.h.** 40-4812234692 End plate, l.h. & r.h.



Item	Part No.	Name	Qty	L	C	SN INFO
1	40-4812234690	End plate, l.h.	1			
2	40-4812234691	End plate, r.h.	1			

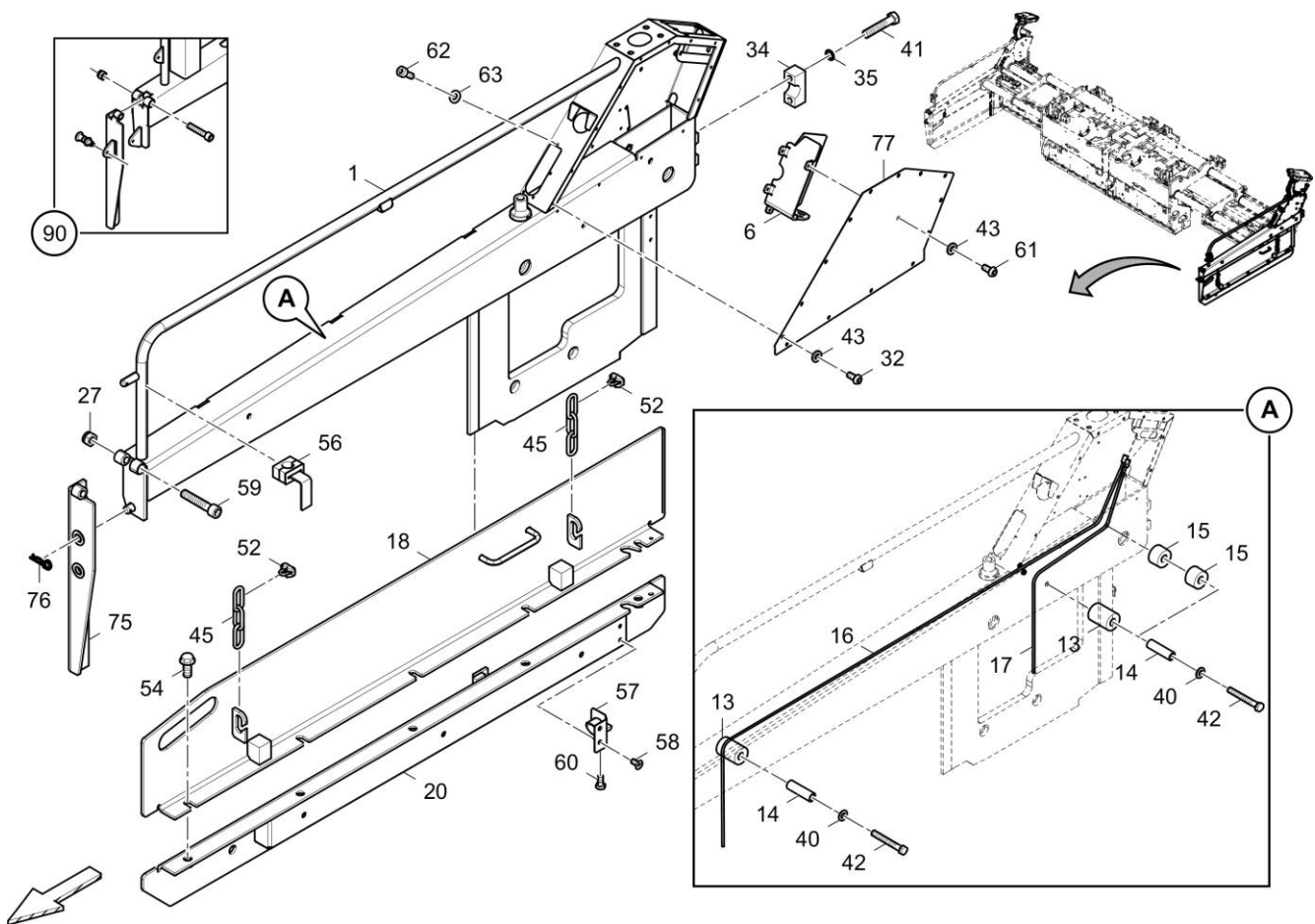
Item	Part No.	Name	Qty	L	C	SN INFO
55	40-4812232920	Receptacle plate	1			
56	40-0291111000	Lock nut	1			
57	40-0147141103	Hex. head screw M12 x 80	1			
58	40-4749900481	Cup spring	2			
59	40-0266211200	Hexagon nut	2			
60	40-D930429155	Star grip screw	1			
61	40-D935511210	Grease nipple	1			
62	40-D814408020	Dovetail	1			
63	40-0301233500	Plain washer	1			
64	40-0147120403	Screw	4			
65	40-4720003740	Safety lock	1			
66	40-0333317507	Schnorr-lock washer	4			
67	40-0215000620	Flat headed screw	1			
68	40-4812232734	Cover plate	1			
69	40-4812235681	Holding device	1			
70	40-0211110424	Hexagon socket head cap screw	1			
71	40-5730007656	Hexagon nut	3			
72	40-4749300213	Spring cotter	1			
73	40-4812161897	Paver Grease / 1 cartridge	1			
74	40-4812035201	Eccentric lock	1			
75	40-0216195773	Countersunk screw	1			
76	40-4812236172	Shim	3			

---

Referenced Pages

40-4812201086 Kit, for the front pin ..... 640

**End plate, l.h. 40-4812231381 End plate, l.h.**



Refer to Parts Online for the most up to date information. The printed information might be outdated.

Wed Apr 06 09:29:31 UTC 2022

---

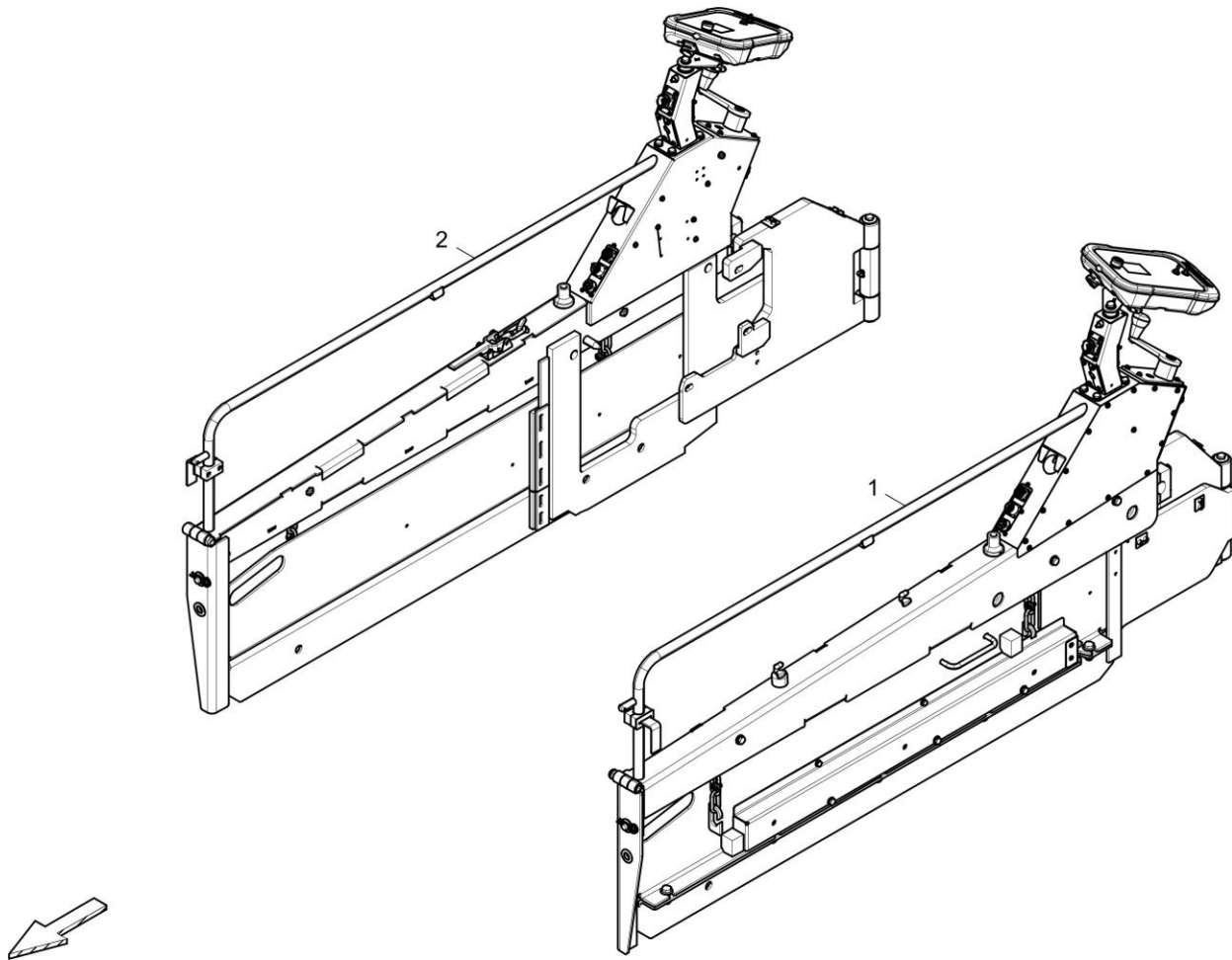
Referenced Pages

40-4720003740 Safety lock ..... 455

---

Referenced Pages

40-4812201086 Kit, for the front pin ..... 640

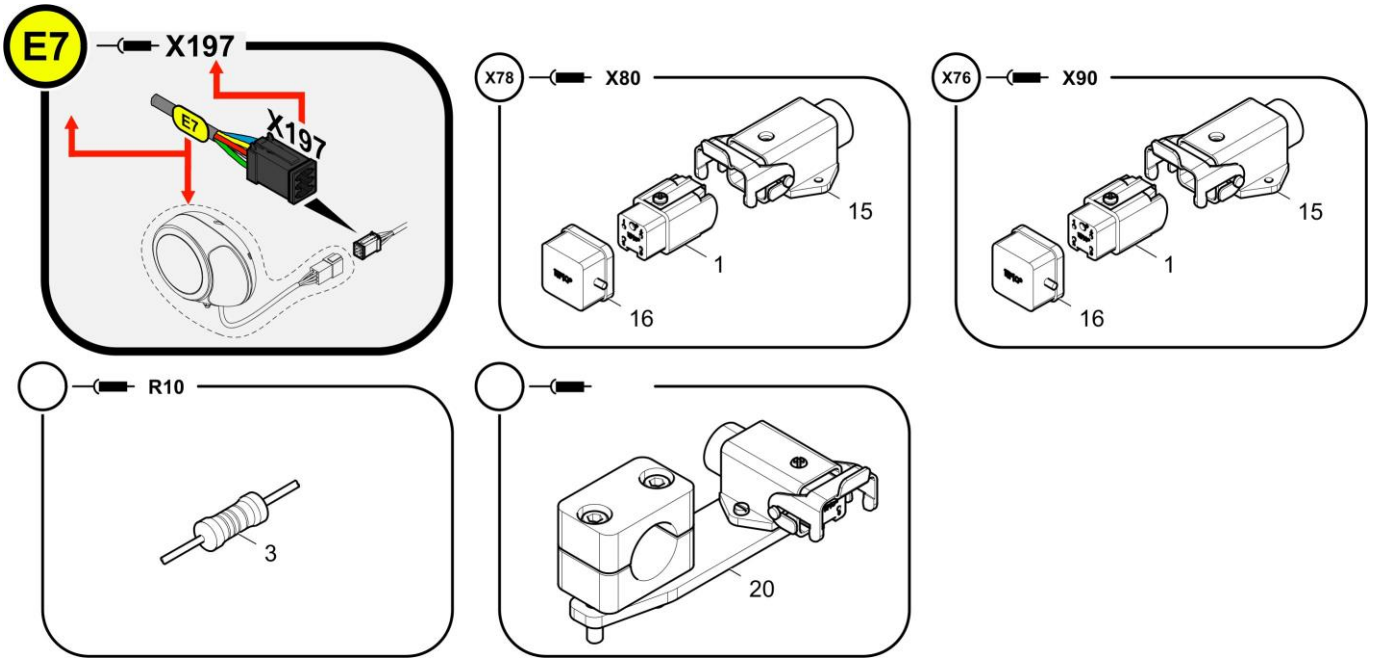
**End plate, l.h. & r.h. heated** 40-4812235452 End plate, l.h. & r.h. heated

Item	Part No.	Name	Qty	L	C	SN INFO
1	40-4812235451	End plate, l.h.	1			
2	40-4812235450	End plate, r.h.	1			

Item	Part No.	Name	Qty	L	C	SN INFO
56	40-4812232920	Receptacle plate	1			
57	40-0291111000	Lock nut	1			
58	40-0147141103	Hex. head screw M12 x 80	1			
59	40-4749900481	Cup spring	2			
60	40-0266211200	Hexagon nut	2			
61	40-D930429155	Star grip screw	1			
62	40-D935511210	Grease nipple	1			
63	40-D814408020	Dovetail	1			
64	40-0301233500	Plain washer	1			
65	40-0147120403	Screw	4			
66	40-4720003740	Safety lock	1			
67	40-0333317507	Schnorr-lock washer	4			
68	40-0215000620	Flat headed screw	1			
69	40-4812232734	Cover plate	1			
70	40-4812235681	Holding device	1			
71	40-0211110424	Hexagon socket head cap screw	1			
72	40-5730007656	Hexagon nut	3			
73	40-4749300213	Spring cotter	1			
74	40-4812231214	Clamping pipe	1			
75	40-4812231563	Cover	1			
76	40-0147132003	Hex. head screw	3			
77	40-D499018630	Screw	1			
78	40-0216195725	Screw	2			
79	40-4812035201	Eccentric lock	1			
80	40-0216195773	Countersunk screw	1			
81	40-4812161897	Paver Grease / 1 cartridge	1			

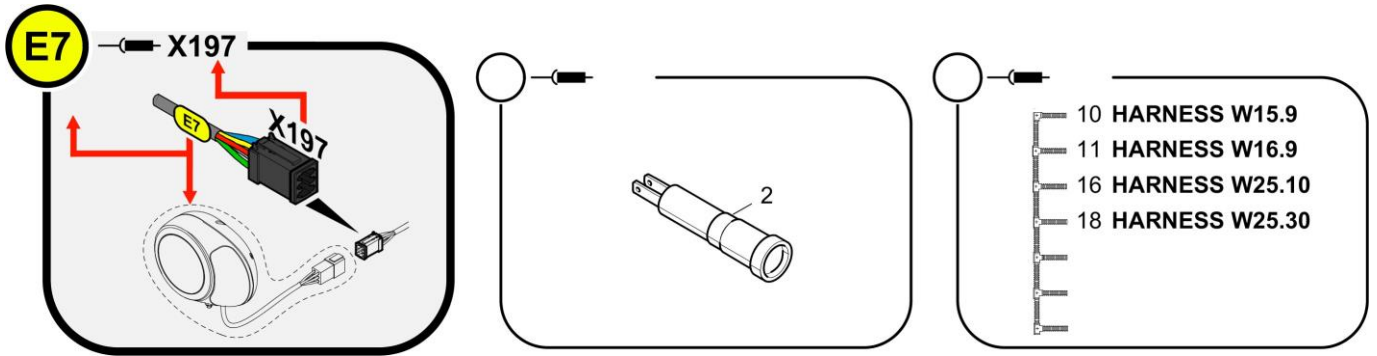
Item	Part No.	Name	Qty	L	C	SN INFO
56	40-4812232919	Receptacle plate	1			
57	40-0291111000	Lock nut	1			
58	40-0147141103	Hex. head screw M12 x 80	1			
59	40-4749900481	Cup spring	2			
60	40-0266211200	Hexagon nut	2			
61	40-D930429155	Star grip screw	1			
62	40-D935511210	Grease nipple	1			
63	40-D814408020	Dovetail	1			
64	40-0301233500	Plain washer	1			
65	40-0147120403	Screw	4			
66	40-4720003740	Safety lock	1			
67	40-0333317507	Schnorr-lock washer	4			
68	40-0215000620	Flat headed screw	1			
69	40-4812232734	Cover plate	1			
70	40-4812235674	Holding device	1			
71	40-0211110424	Hexagon socket head cap screw	1			
72	40-5730007656	Hexagon nut	3			
73	40-4749300213	Spring cotter	1			
74	40-4812231178	Clamping pipe	1			
75	40-D499018630	Screw	1			
76	40-0216195725	Screw	2			
77	40-4812161897	Paver Grease / 1 cartridge	1			

40-4812077071 Harness, screed 40-4812073067 Harness W25

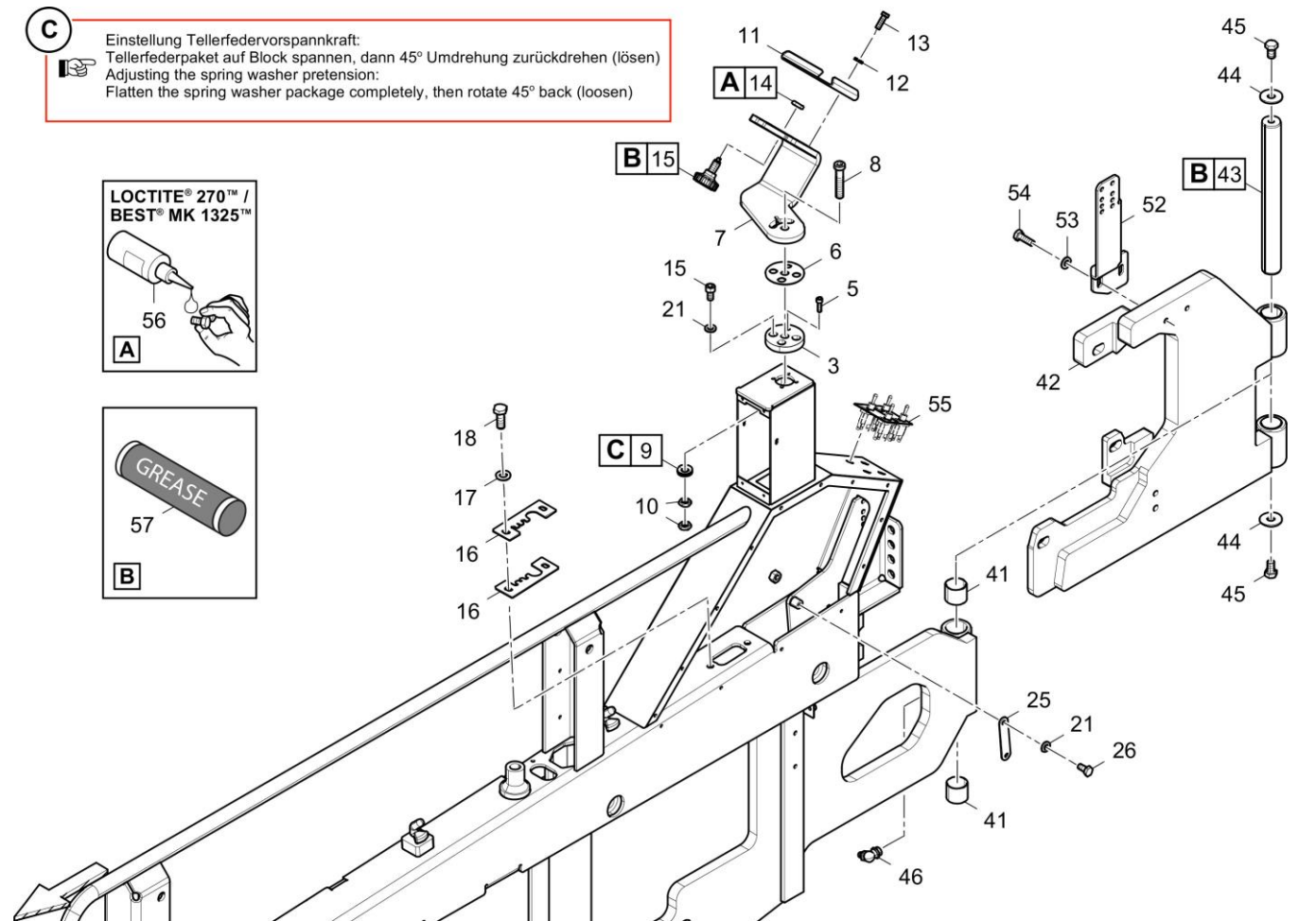


Item	Part No.	Name	Qty	L	C	SN INFO
1	40-D977463175	Socket contact	2			
3	40-D977180601	Resistor	1			
15	40-4812046460	Socket housing	2			
16	40-D977478247	Dust cap	2			
20	40-4812073830	Retainer	2			

40-4812077110 Harness, foldable side shield 40-4812077079 Harness, foldable side shield



Item	Part No.	Name	Qty	L	C	SN INFO
2	40-4749100745	Diode	2			
10	40-4812216843	Harness W15.9	1			
11	40-4812216850	Harness W16.9	1			
16	40-4812075617	Harness W25.10	1			
18	40-4812075618	Harness W25.30	1			

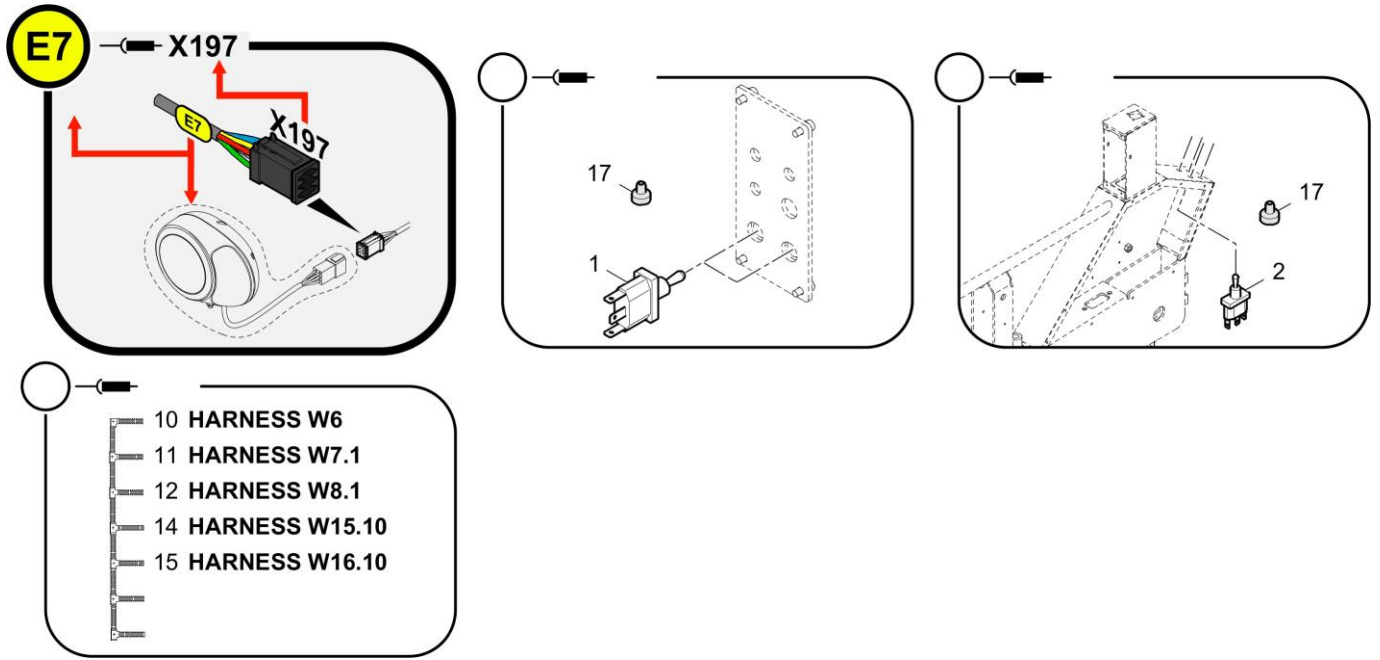


Item	Part No.	Name	Qty	L	C	SN INFO
1	40-4812063433	Holder f. end plate, l.h.	1			
2	40-4812063193	Side cover	1			
3	40-4812216375	Flanged bush	1			
4	40-0211124403	Hex.socket cap screw	3			
5	40-0211124703	Hex sock. screw	1			
6	40-4812216366	Washer	1			
7	40-4812217522	Holder for remote control	1			
8	40-0211110430	Hexagon socket head cap screw	1			
9	40-4749900481	Cup spring	3			
10	40-0261109962	Hexagon nut	2			
11	40-4812215994	Swallowtail	1			
12	40-4812216536	Lock washer	4			
13	40-D938182490	Hexagon screw	4			
14	40-D937180619	Hex. nut	1			
15	40-4812216530	Cocking handle	1			
16	40-4812024051	Sheet	2			
17	40-0301233500	Plain washer	2			

Refer to Parts Online for the most up to date information. The printed information might be outdated.

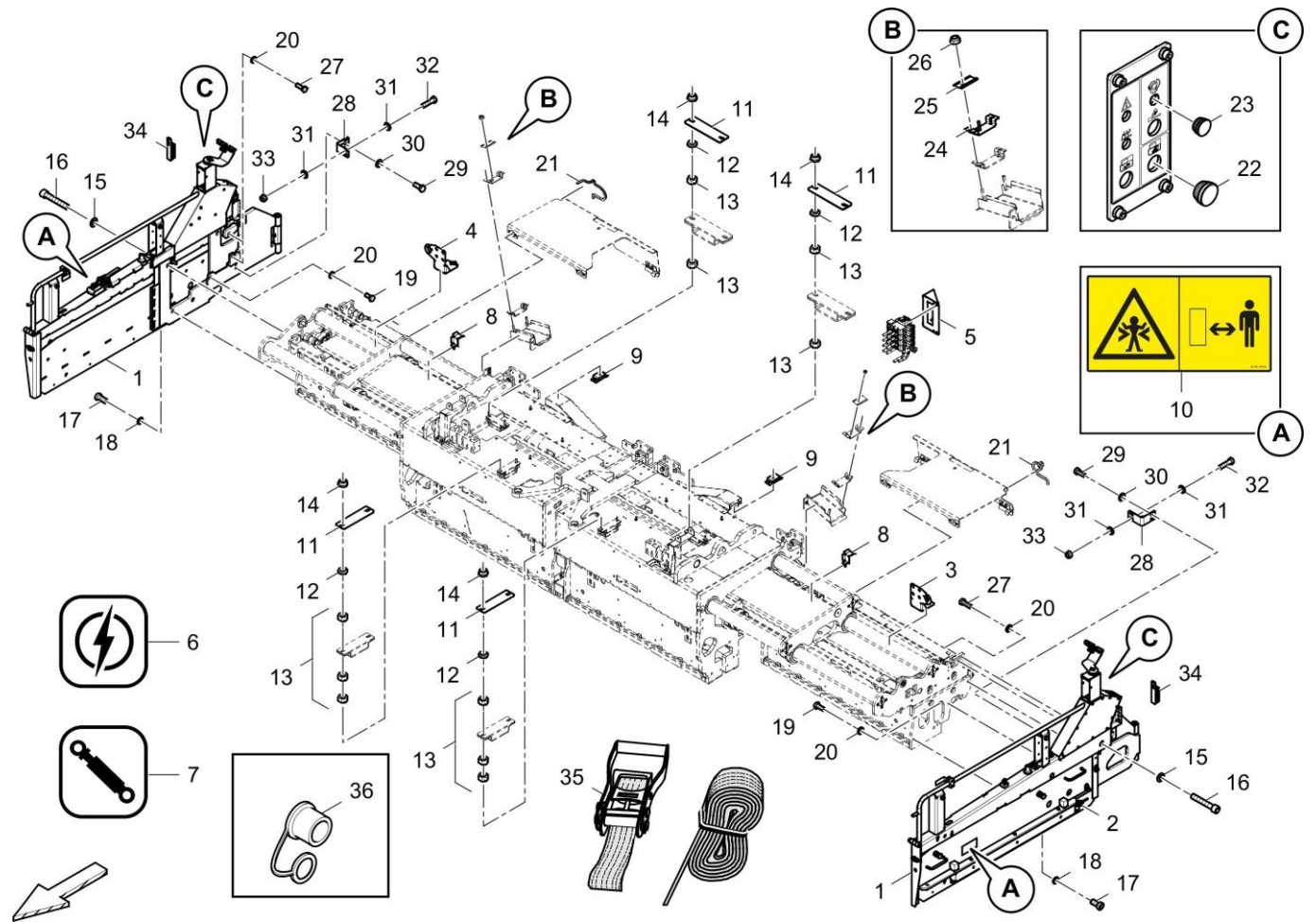
Wed Apr 06 09:29:50 UTC 2022

**Electric, foldable hydr. end plate 40-4812075631 Electric, foldable hydr. end plate**



Item	Part No.	Name	Qty	L	C	SN INFO
1	40-D977532018	Toggle switch	4			
2	40-D977532017	Toggle switch	4			
10	40-4812217461	Harness W6	1			
11	40-4812075495	Harness W7.1	1			
12	40-4812075496	Harness W8.1	1			
14	40-4812072753	Harness W15.10	1			
15	40-4812072756	Harness W16.10	1			
17	40-4812075374	Sealing cap	8			

**40-4812063558 Foldable hydr. end plate, el. heating, l.h. & r.h.** 40-4812063558 Foldable hydr. end plate, el. heating, l.h. & r.h.



Item	Part No.	Name	Qty	L	C	SN INFO
1	40-4812063437	Foldable hydr. end plate	1			
2	40-4812063482	Electric, heating lower heated	1			
3	40-4812063871	Stiffening plate, l.h.	1			
4	40-4812063808	Stiffening plate, r.h.	1			
5	40-4812076664	Hydraulic, pre-assembly	1			
6	40-4812075631	Electric, foldable hydr. end plate	1			
7	40-4812075865	Hydraulic, side shields	1			
8	40-4812010756	Hose clamp	2			
9	40-4812010929	Suppression	2			
10	40-D956044900	Warning sign: Danger of violent pressure	2			
11	40-4812033554	Suppression	4			
12	40-0261211100	Hex.nut-M10	8			
13	40-0266211100	Nut hexagon	20			
14	40-5541396800	Hexagon nut	8			
15	40-0333310053	Washer	4			

Refer to Parts Online for the most up to date information. The printed information might be outdated.

Wed Apr 06 09:29:54 UTC 2022

---

Referenced Pages

40-4812010756 Hose clamp .....563

Item	Part No.	Name	Qty	L	C	SN INFO
2	40-4812062106	Edge compactor, r.h. 100 mm / 60°	1			
KIT	40-4812063296	Conversion kit, 60 mm / 45°	1			
1	40-4812075163	Edge compactor, l.h. 60 mm / 45°	1			
2	40-4812075166	Edge compactor, r.h. 60 mm / 45°	1			
KIT	40-4812063298	Conversion kit, 40 mm / 60°	1			
1	40-4812075172	Edge compactor, l.h. 40 mm / 60°	1			
2	40-4812075175	Edge compactor, r.h. 40 mm / 60°	1			
5	40-0190124139	Threaded pin	3			
6	40-0333310053	Washer	1			
7	40-0147154803	Hexagon head screw	1			
8	40-0333310049	Lock washer	5			
9	40-0147147703	Hexagon bolt M16x40	5			
10	40-4812062109	Side cover, l.h.	1			
11	40-4812062111	Side cover, r.h.	1			

CLICK HERE TO **DOWNLOAD** THE COMPLETE MANUAL

- Thank you very much for reading the preview of the manual.
- You can download the complete manual from: [www.heydownloads.com](http://www.heydownloads.com) by clicking the link below



- Please note: If there is no response to CLICKING the link, please download this PDF first and then click on it.

CLICK HERE TO **DOWNLOAD** THE COMPLETE MANUAL