

Spare parts catalogue

STV 6000 E



CLICK HERE TO **DOWNLOAD** THE COMPLETE MANUAL

- Thank you very much for reading the preview of the manual.
- You can download the complete manual from: www.heydownloads.com by clicking the link below



- Please note: If there is no response to **CLICKING** the link, please download this PDF first and then click on it.

CLICK HERE TO **DOWNLOAD** THE COMPLETE MANUAL

Protecting hood, VT l.h.	
40-4812239275 Protecting hood, VT l.h.	63
Protecting hood, VT r.h.	
40-4812239281 Protecting hood, VT r.h.	64
Cover	
40-4812238121 Cover	65
Operation width, E	
Basic operation width 6,00m	
40-4812033918 Gr.09 Basic operation width 6,00m	66
Available operation width	
Operation width 6.7m, electric	
40-4812233122 Operation width 6.7m, electric	67
Extension mount, AT350, electric, l.h.	
40-4812232159 Extension mount, AT350, electric, l.h.	69
El. heating	
40-4812232157 El. heating	72
Tamper drive ext. part 350mm, l.h.	
40-4812029716 Tamper drive ext. part 350mm, l.h.	75
Vibration ext. part 350mm, l.h.	
40-4812029876 Vibration ext. part 350mm, l.h.	78
Tamper guide plate ext. part 350mm, l.h.	
40-4812029847 Tamper guide plate ext. part 350mm, l.h.	80
Footboard	
40-4812075063 Footboard	81
Footboard	
40-4812075064 Footboard	82
Protecting hood	
40-4812233007 Protecting hood	83
Adjusting screw	
40-D614134600 Adjusting screw	See page 59
Coupling	
40-4812076801 Coupling	85
Coupling	
40-4812035437 Coupling	86
Electric l.h. 350	
40-4812033694 Electric l.h. 350	87
Electric	
40-4812033698 Electric	88
Cable	

40-4812033693 Electric l.h. 750	See page 144
Electric	
40-4812033697 Electric	See page 145
Cable	
40-4812033701 Cable harness W20 AT750	See page 143
Extension mount, AT750, electric, r.h.	
40-4812232812 Extension mount, AT750, electric, r.h.	See page 147
Vibration ext. part 750mm	
40-4812233616 Vibration ext. part 750mm	See page 150
El. Heating, AT750, r.h.	
40-4812232813 El. Heating, AT750, r.h.	See page 152
Tamper drive ext. part 750mm	
40-4812028555 Tamper drive ext. part 750mm	See page 130
Vibration ext. part 750mm	
40-4812218140 Vibration ext. part 750mm	See page 133
Tamper guide plate ext. part 750mm, r.h.	
40-4812028757 Tamper guide plate ext. part 750mm, r.h.	See page 157
Footboard	
40-4812075065 Footboard	See page 136
Footboard	
40-4812075066 Footboard	See page 137
Protecting hood	
40-4812232538 Protecting hood	See page 138
Adjusting screw	
40-D614134600 Adjusting screw	See page 59
Electric	
40-4812017900 Electric	See page 161
Electric	
40-4812017908 Electric	See page 162
Cable	
40-4812033703 Cable harness W21 AT750	See page 164
Electric r.h. 750	
40-4812033695 Electric r.h. 750	See page 165
Electric	
40-4812033699 Electric	See page 166
Cable	
40-4812033703 Cable harness W21 AT750	See page 164
Extension mount, AT350, electric, l.h.	
40-4812232159 Extension mount, AT350, electric, l.h.	See page 69
El. heating	

40-4812238824 El. end plate below heating, l.h. & r.h.	545
40-4812239886 Hydr. end plate el. heating, l.h. & r.h.	
40-4812239886 Hydr. end plate el. heating, l.h. & r.h.	547
End plate, cpl	
40-4812239882 End plate, cpl	549
End plate, l.h.	
40-4812239844 End plate, l.h.	550
End plate, r.h.	
40-4812239846 End plate, r.h.	554
El. heating below heated	
40-4812238749 E-lower heating	See page 498
Stiffening plate, l.h.	
40-4812010358 Plate, l.h.	559
Stiffening plate, r.h.	
40-4812010359 Plate, r.h.	560
Hydraulic, pre-assembly	
40-4812076664 Hydraulic, pre-assembly	561
Electric	
40-4812217238 Electric	563
Harness W15.10	
40-4812072753 Harness W15.10	See page 435
Harness W16.10	
40-4812072756 Harness W16.10	See page 438
Harness W6	
40-4812217461 Harness W6	See page 426
Harness W7	
40-4812217863 Harness W7	See page 430
Harness W8	
40-4812217864 Harness W8	See page 431
Hydraulic, end plate	
40-4812019249 Hydraulic, end plate	569
Control block	
40-4812010450 Control block	572
40-4812076668 Control block	573
Hose clamp	
40-4812010756 Hose clamp	574
Suppression	
40-4812010929 Suppression	575
40-4812239884 Hydr. end plate unheated, l.h. & r.h.	
40-4812239884 Hydr. end plate unheated, l.h. & r.h.	576

40-4812010929 Suppression See page 575

Hose guide

40-4812075946 Hose guide 801

40-4812002106 Kit height tracing

40-4812002106 Kit height tracing 802

40-4812075925 Heighth tracing

40-4812075925 Heighth tracing 803

Retainer

40-4720005797 Retainer See page 472

40-4812043252 Retainer 805

Edge compactor

Edge compactor, without heating 807

Edge compactor, electric heating 810

Hydraulic edge compactor, electric heating 813

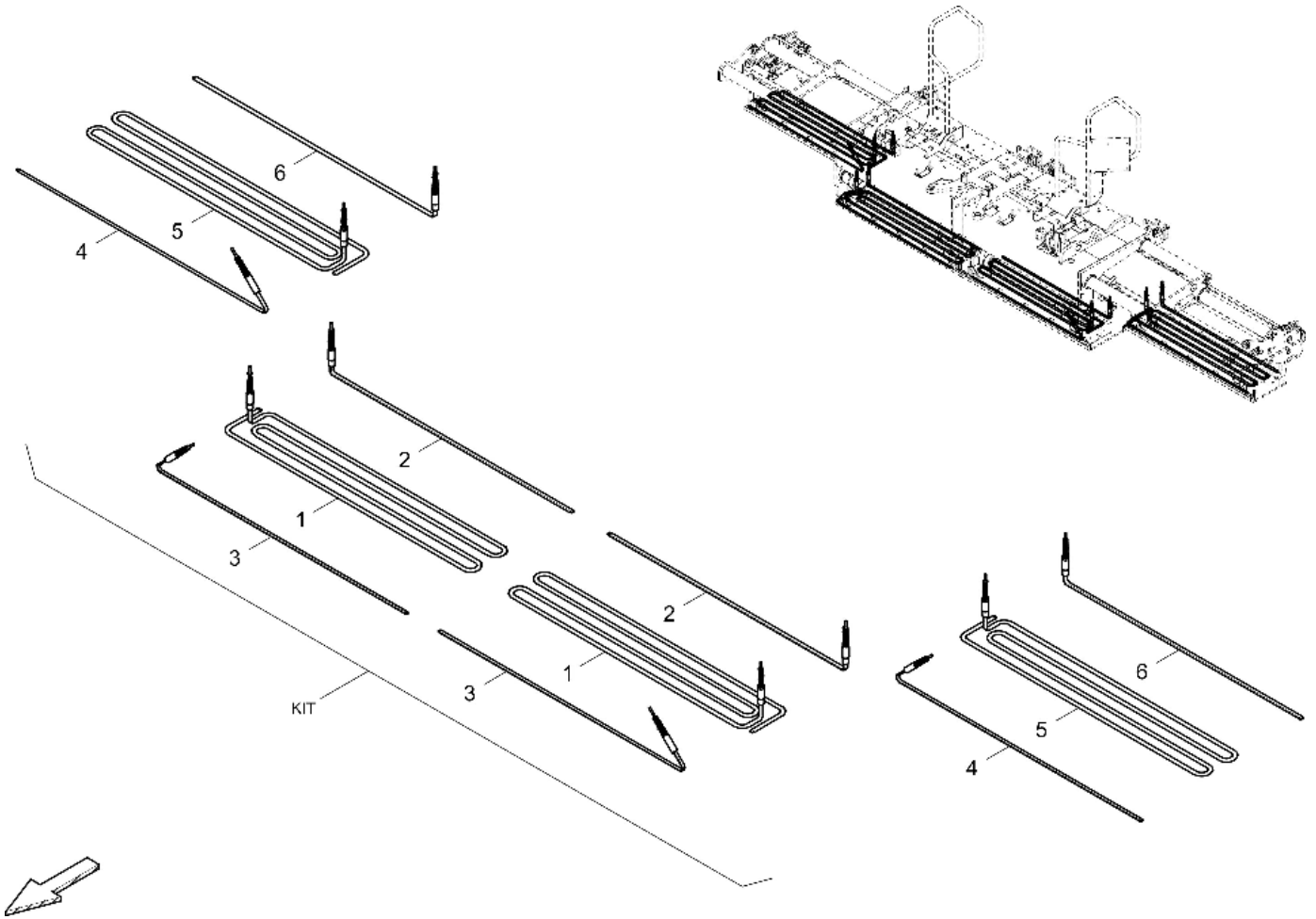
Hydraulic edge compactor, without heating 816

Accessories

Decals (E)

40-4812035402 Decals Screed 819

Heating Element KITS 40-4812018796 Kit, heating element with plug, cpl.

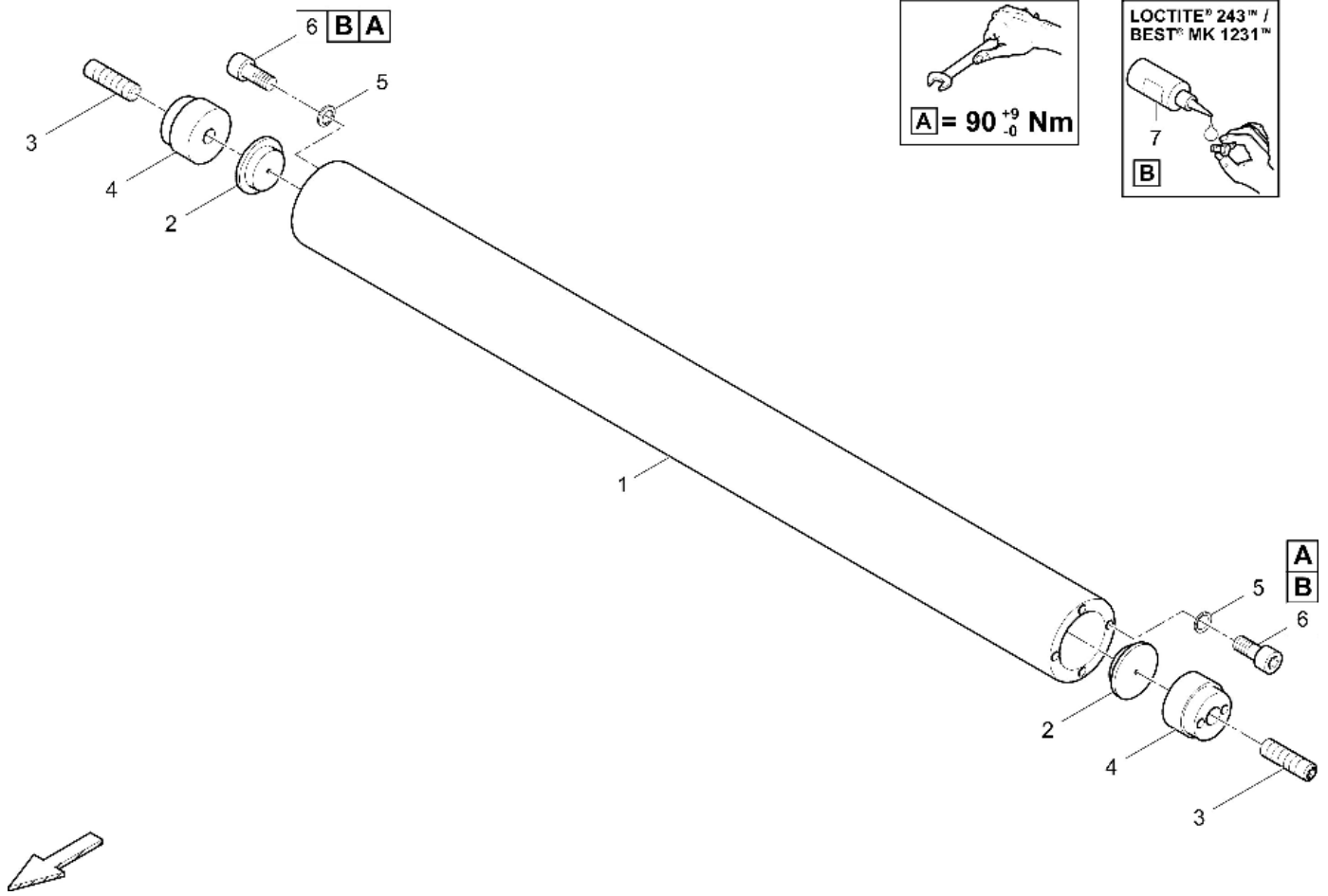


Item	Part No.	Name	Qty	L	C	SN INFO
KIT	40-4812018796	Kit, heating element with plug, cpl.	1			
1	40-4812215013	Flat tube heater, inside	2			
2	40-4812215016	Flat tube heater, outside	2			
3	40-4812215019	Flat tube heater, tamper	2			
4	40-4812215020	Flat tube heater, tamper	2			
5	40-4812215014	Flat tube heater, inside	2			
6	40-4812215017	Flat tube heater, outside	2			

Refer to Parts Online for the most up to date information. The printed information might be outdated.

Wed Jun 08 07:22:59 UTC 2022

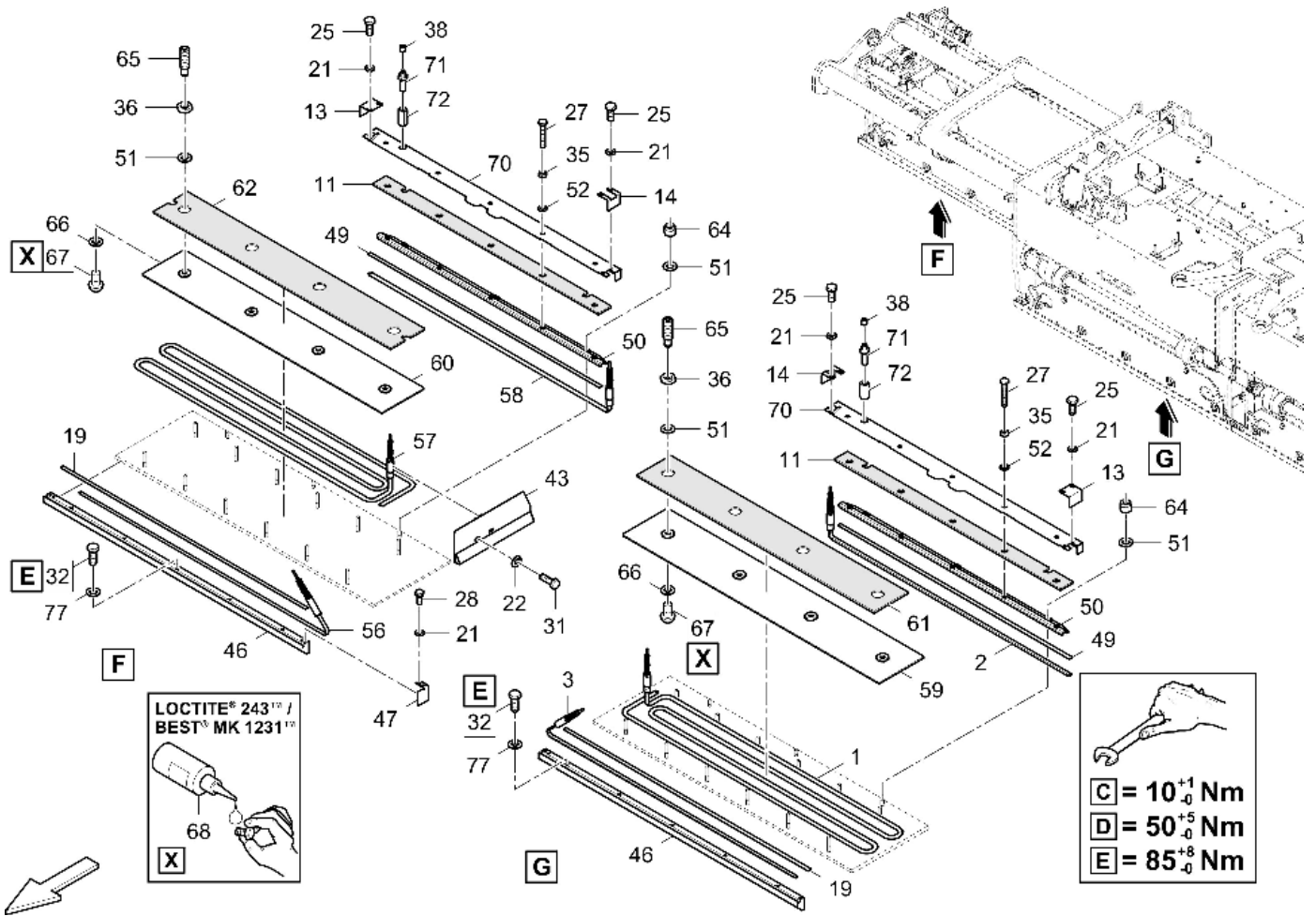
Guide cylinder 40-4812033035 Guide cylinder



Item	Part No.	Name	Qty	L	C	SN INFO
1	40-4812033036	Guide cylinder	1			
2	40-4730012694	Cylinder Bottom	2			
3	40-0190124169	Threaded pin	2			
4	40-4730012798	Eccentric head	2			
5	40-0333310043	Schnorr-lock washer	8			
6	40-0211140003	Screw	8			
7	40-D930290215	Adhesive	1			

Refer to Parts Online for the most up to date information. The printed information might be outdated.

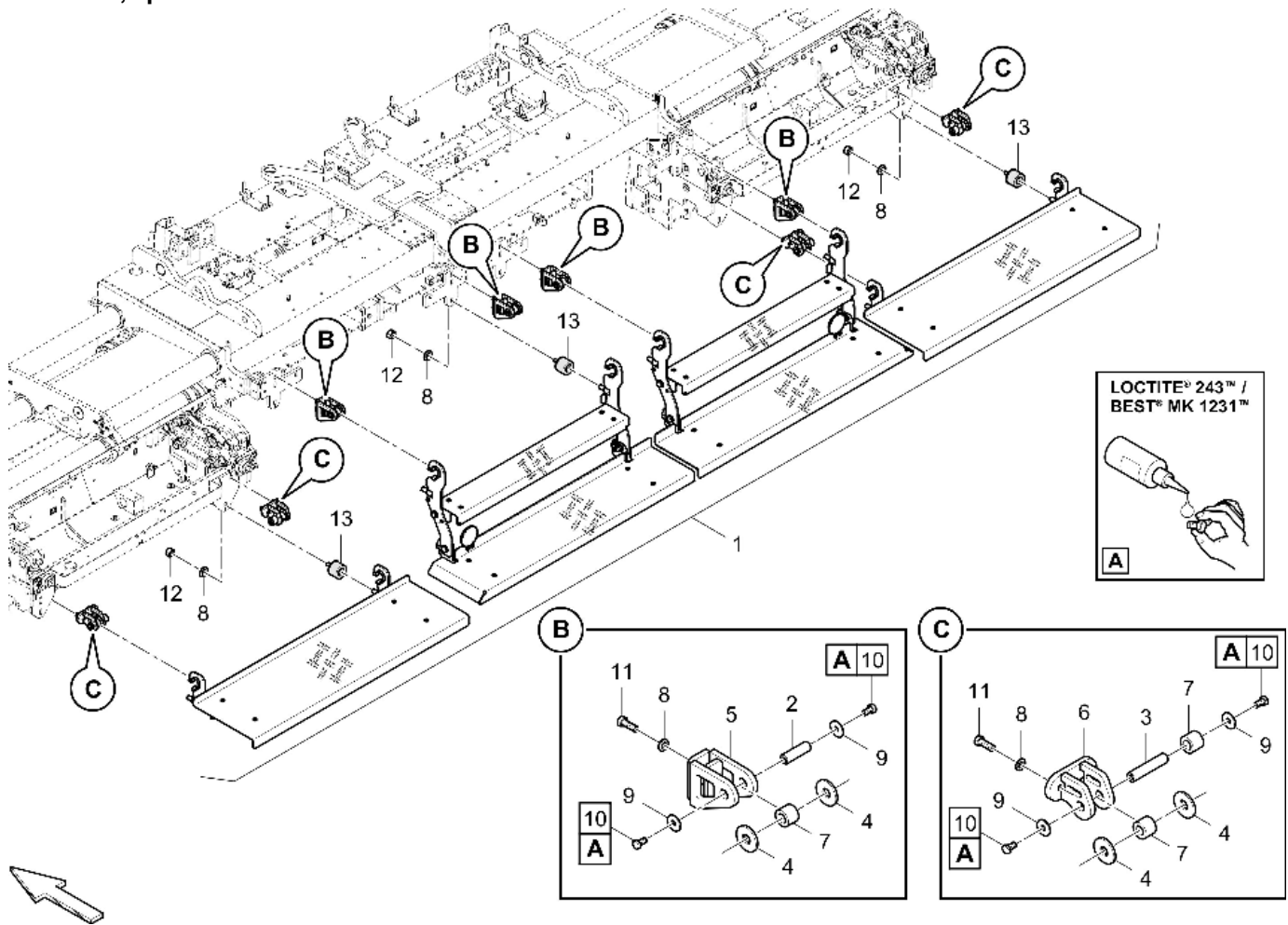
Wed Jun 08 07:23:05 UTC 2022



Refer to Parts Online for the most up to date information. The printed information might be outdated.

Wed Jun 08 07:23:09 UTC 2022

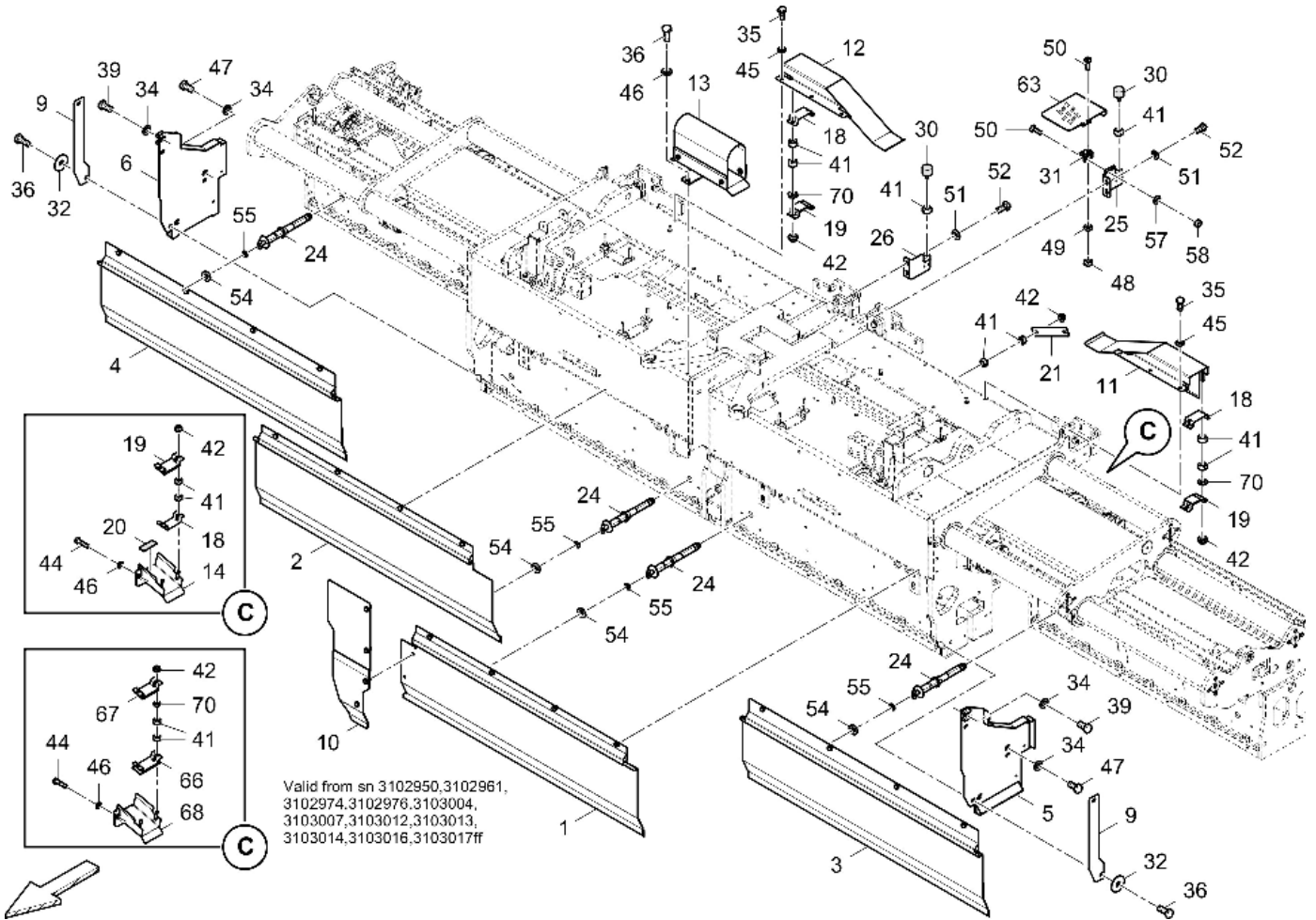
Footboard, cpl. 40-4812074794 Footboard



Item	Part No.	Name	Qty	L	C	SN INFO
1	40-4812074838	Kit, Footboard	1			
2	40-4812230857	Bolt	4			
3	40-4812230967	Bolt	4			
4	40-4812230953	Rubber disk	16			
5	40-4812232351	Retainer	4			
6	40-4812230974	Bracket	4			
7	40-4812019386	Elastomer	12			
8	40-0333310052	Flat washer	24			
9	40-0300013051	Flat washer	16			
10	40-0147136003	Screw cap	16			
11	40-0147140203	Hex. head screw	16			
12	40-0266211200	Hexagon nut	8			
13	40-4812016885	Rubber buffer	8			

Refer to Parts Online for the most up to date information. The printed information might be outdated.

Wed Jun 08 07:23:14 UTC 2022



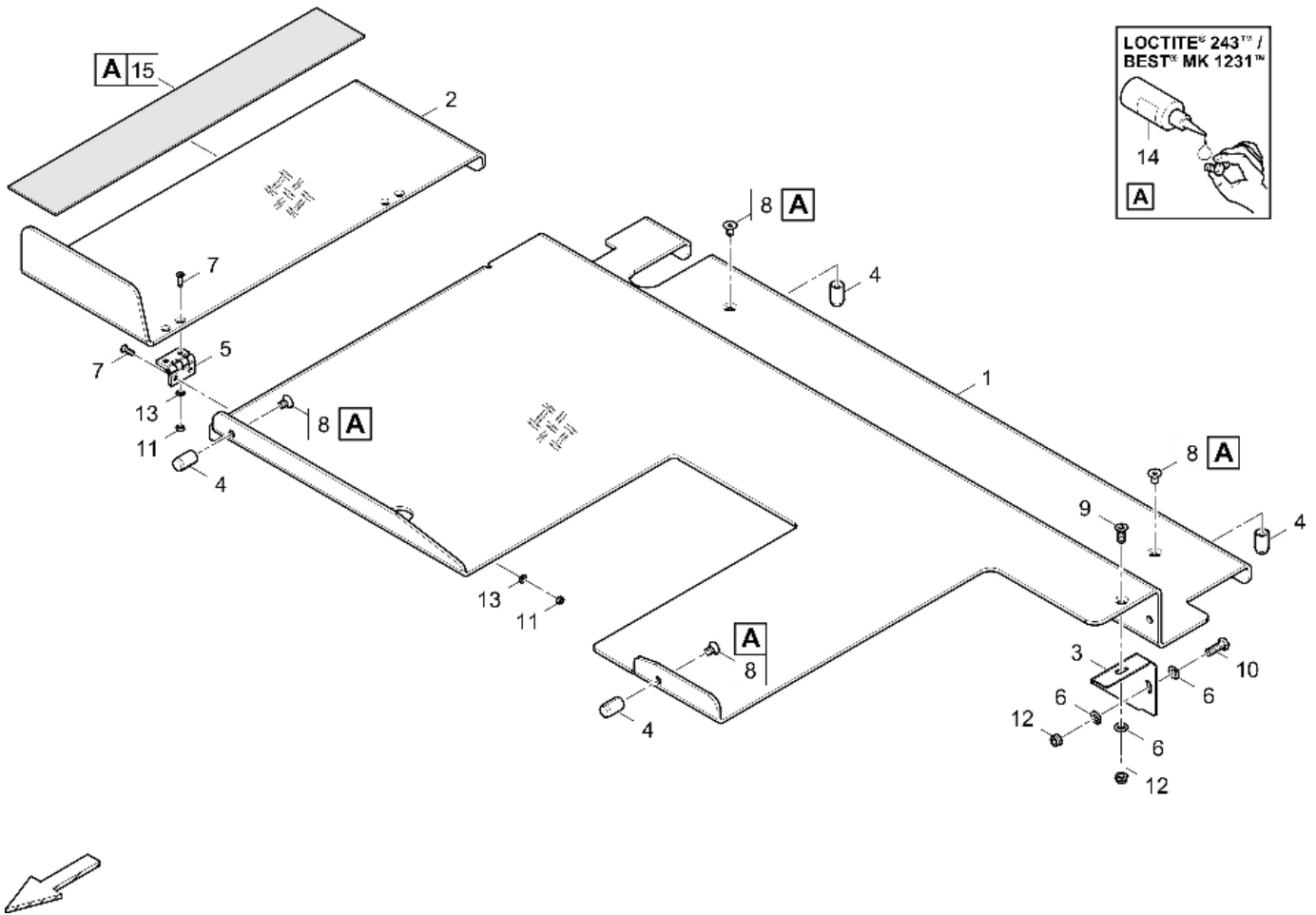
Valid from sn 3102950,3102961,
3102974,3102978,3103004,
3103007,3103012,3103013,
3103014,3103016,3103017ff

Item	Part No.	Name	Qty	L	C	SN INFO
1	40-4812031264	Tamper guide plate central part, l.h.	1			
2	40-4812031265	Tamper guide plate central part, r.h.	1			
3	40-4812031275	Tamper guide plate ext. part, l.h.	1			
4	40-4812031284	Tamper guide plate ext. part, r.h.	1			
5	40-4812028017	Cover, l.h.	1			
6	40-4812028045	Cover, r.h.	1			
7	40-4812031305	Cover plate	1			
8	40-4812031306	Cover plate	1			
9	40-D614130023	Sealing	2			
10	40-4812028304	Overlap plate	1			
11	40-4812076783	Hose guide, l.h.	1			
12	40-4812076784	Hose guide, r.h.	1			
13	40-4812027950	Hose guide	1			
14	40-4812239203	Hose guide, l.h.	1			

Refer to Parts Online for the most up to date information. The printed information might be outdated.

Wed Jun 08 07:23:19 UTC 2022

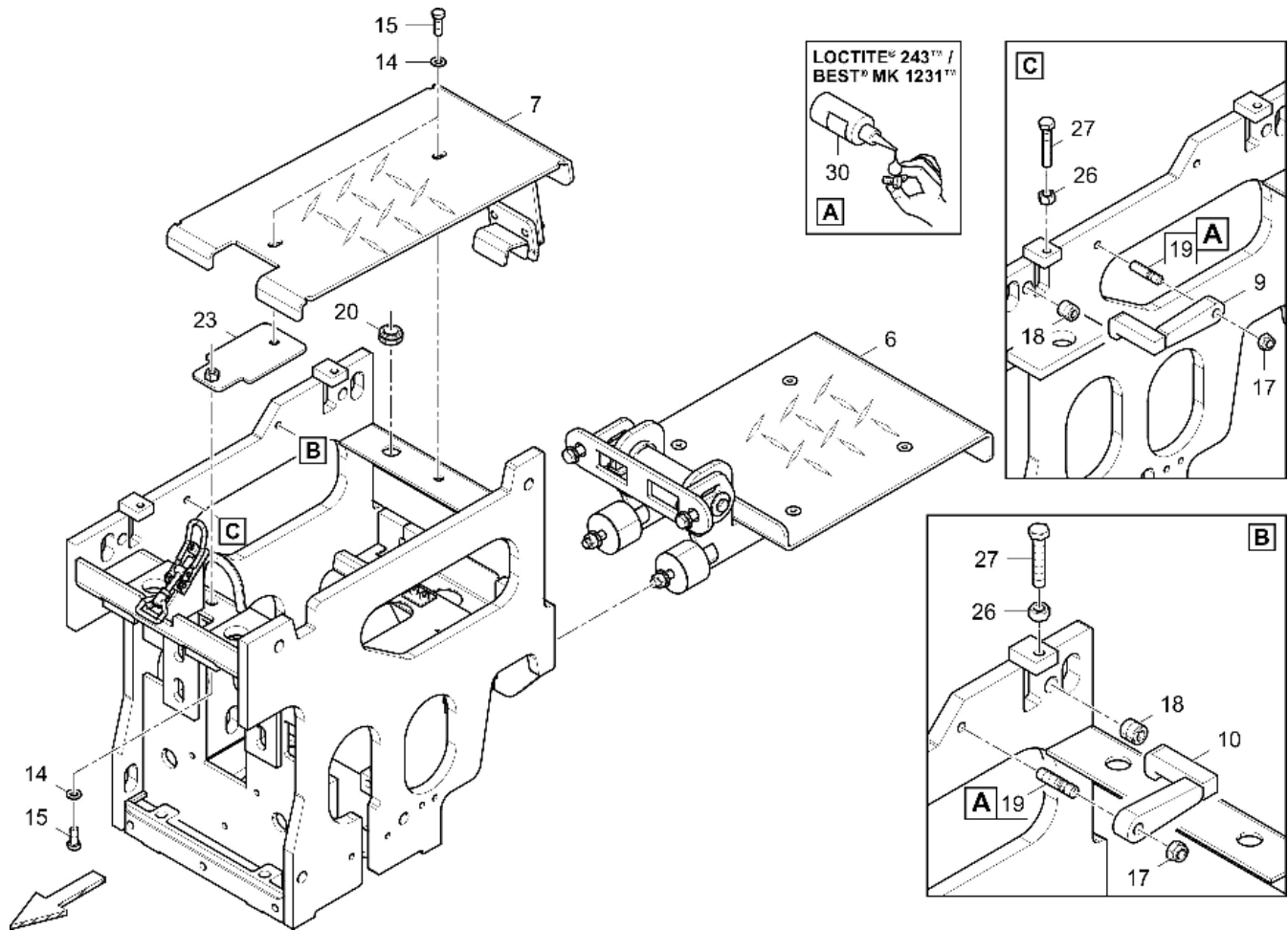
Protecting hood, MT I.h. 40-4812238124 Protecting hood, MT I.h.



Item	Part No.	Name	Qty	L	C	SN INFO
1	40-4812232225	Protecting hood, l.h.	1			
2	40-4812232227	Cover	1			
3	40-D614138105	Gusset	1			
4	40-4730013670	Receptacle	4			
5	40-4749302191	Hinge	2			
6	40-0301234400	Plain washer	3			
7	40-0216195783	Countersunk screw	8			
8	40-0216110038	Countersunk screw	4			
9	40-0216195773	Countersunk screw	1			
10	40-0147136303	Screw	1			
11	40-5730015118	Hexagon nut	8			
12	40-5541396800	Hexagon nut	2			
13	40-0333310055	Washer	8			

Refer to Parts Online for the most up to date information. The printed information might be outdated.

Wed Jun 08 07:23:21 UTC 2022

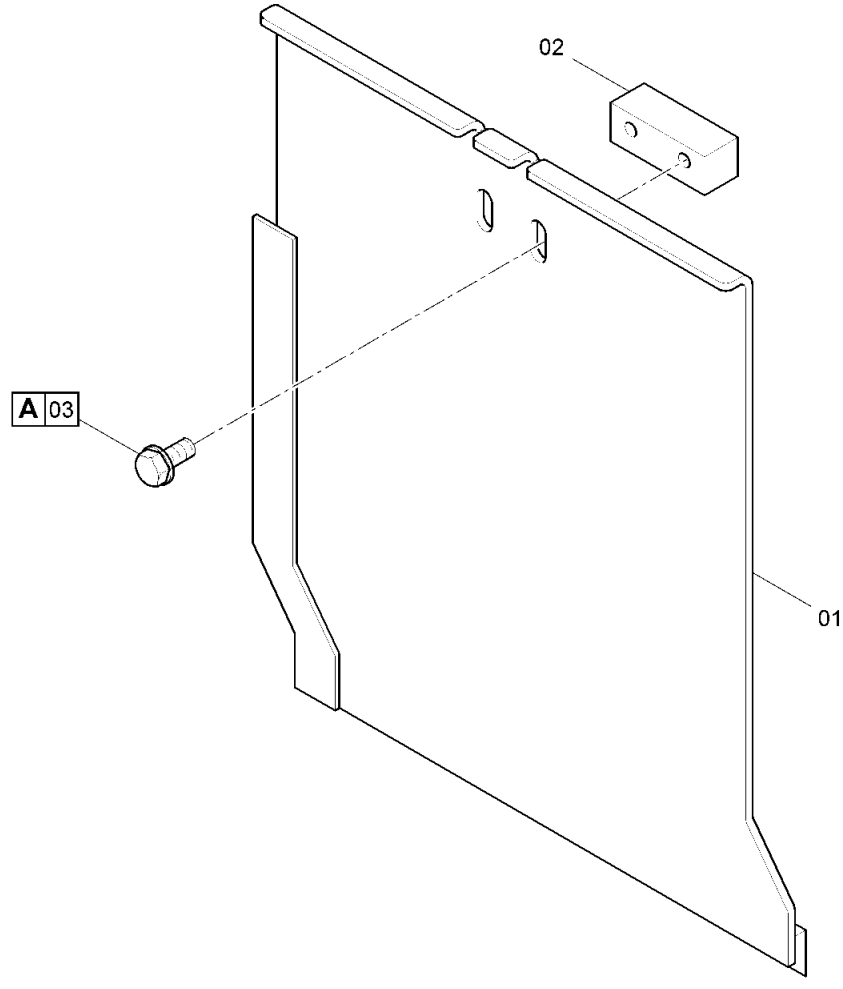


Item	Part No.	Name	Qty	L	C	SN INFO
1	40-4812233091	Extension mount	1			
2	40-4812232157	El. heating	1			
3	40-4812029716	Tamper drive ext. part 350mm, l.h.	1			
4	40-4812029876	Vibration ext. part 350mm, l.h.	1			
5	40-4812029847	Tamper guide plate ext. part 350mm, l.h.	1			
6	40-4812075063	Footboard	1			
7	40-4812233007	Protecting hood	1			
8	40-D614134600	Adjusting screw	2			
9	40-D614214200	Adjusting mount	1			
10	40-D614214300	Adjusting mount	1			
11	40-4812076801	Coupling	1			
12	40-D614210303	Washer	2			
13	40-4730013152	Washer	2			
14	40-0333310051	Lock washer	3			

Refer to Parts Online for the most up to date information. The printed information might be outdated.

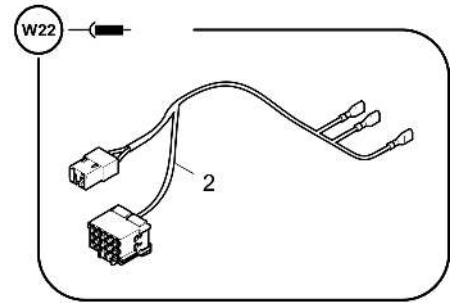
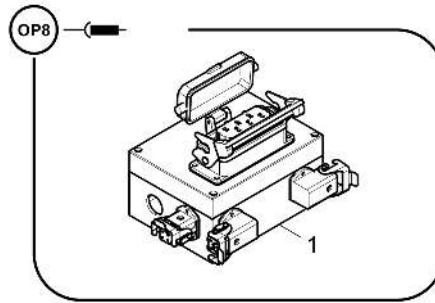
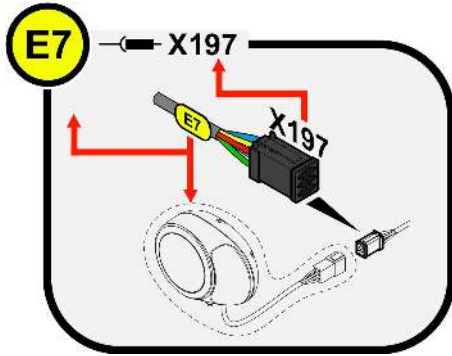
Wed Jun 08 07:23:26 UTC 2022

Tamper guide plate ext. part 350mm, l.h. 40-4812029847 Tamper guide plate ext. part 350mm, l.h.



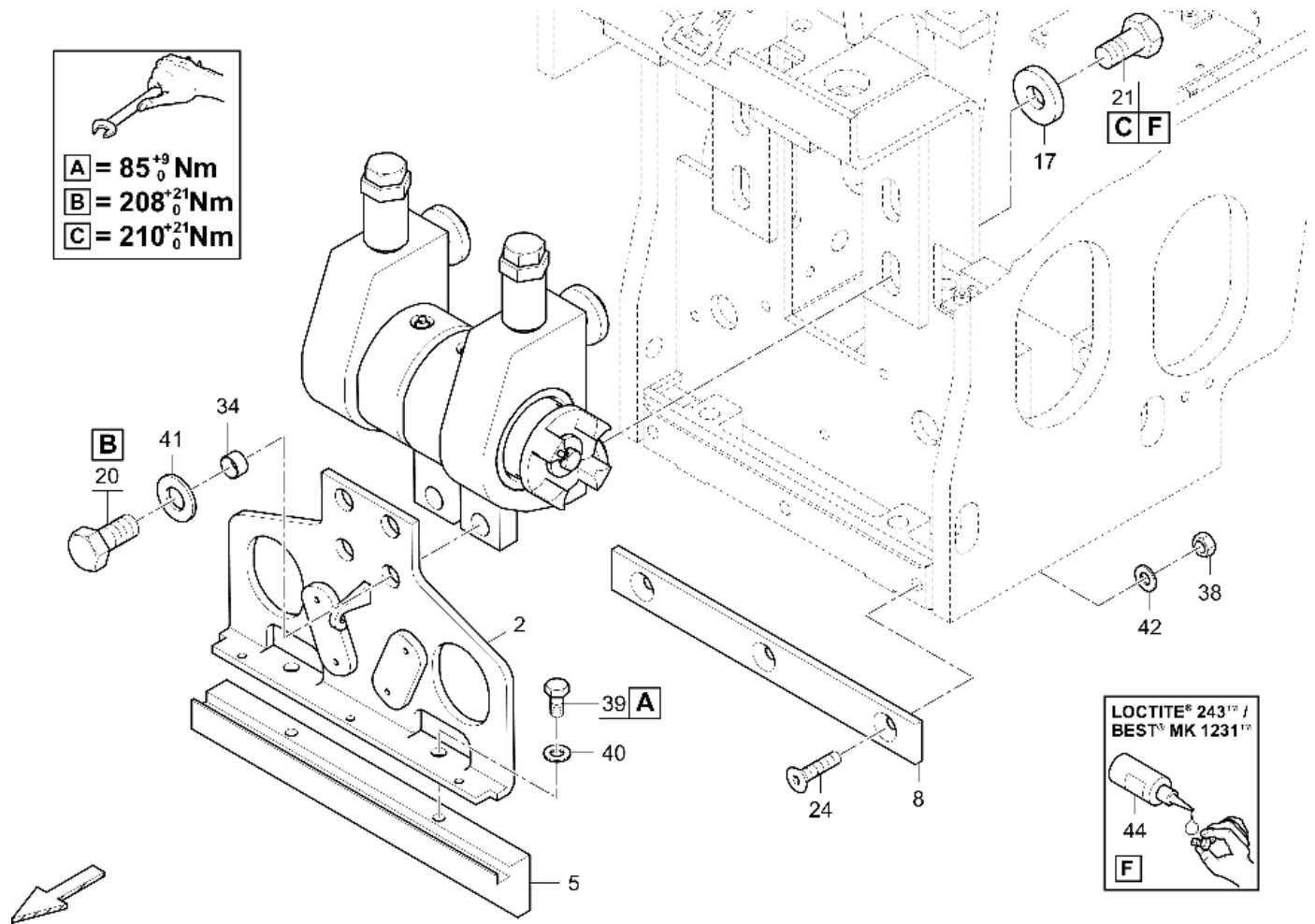
Item	Part No.	Name	Qty	L	C	SN INFO
1	40-4812029848	Tamper guide plate	1			
2	40-D606305603	Stop	1			
3	40-0147300067	Tensilock screw	2			

Electric AT I.h. 350 40-4812017894 Electric



Item	Part No.	Name	Qty	L	C	SN INFO
1	40-4812017905	Electric	1			
2	40-4812033702	Cable harness W22 AT 350	1			

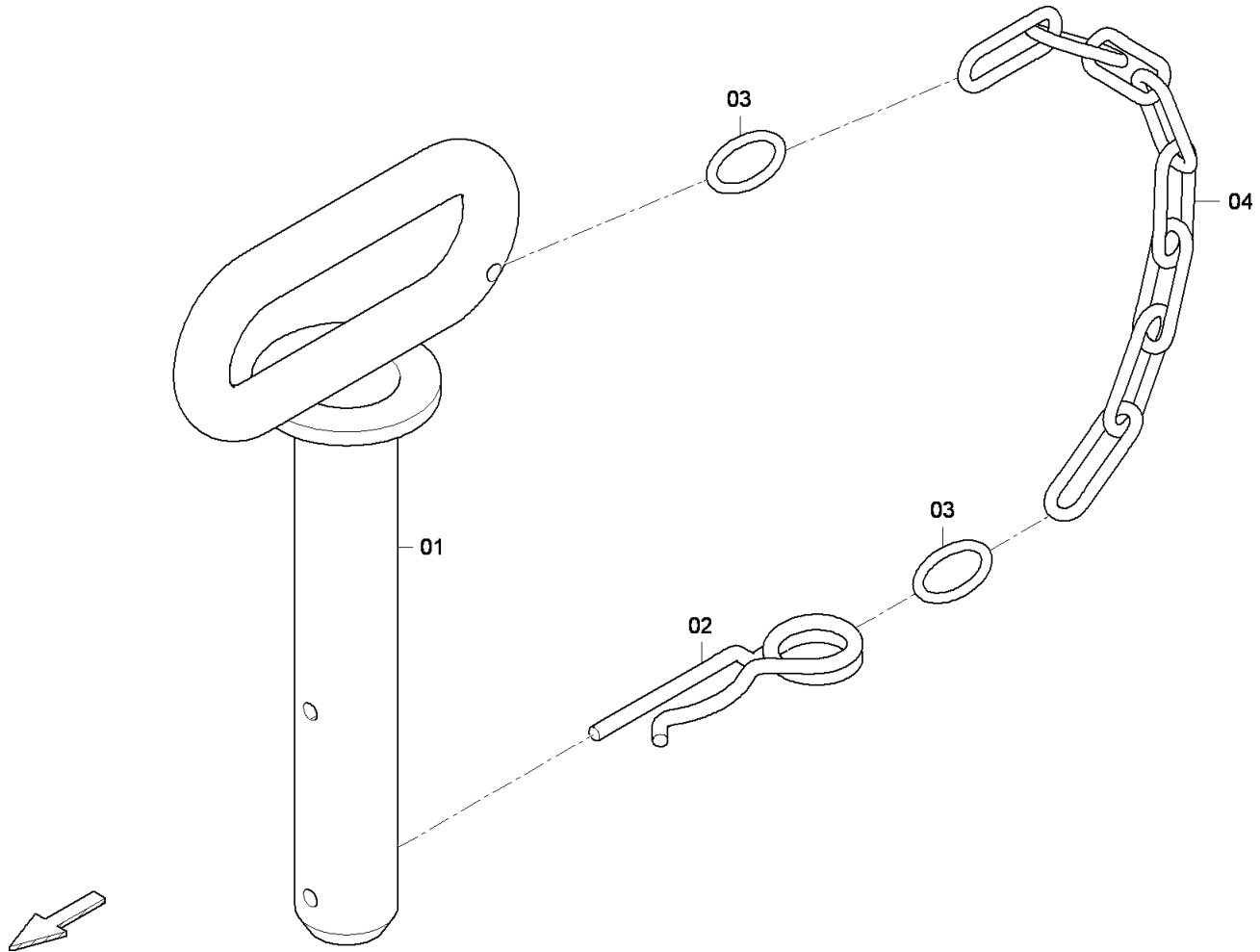
Tamper drive ext. part 350mm, r.h. 40-4812029768 Tamper drive ext. part 350mm, r.h.



Referenced Pages

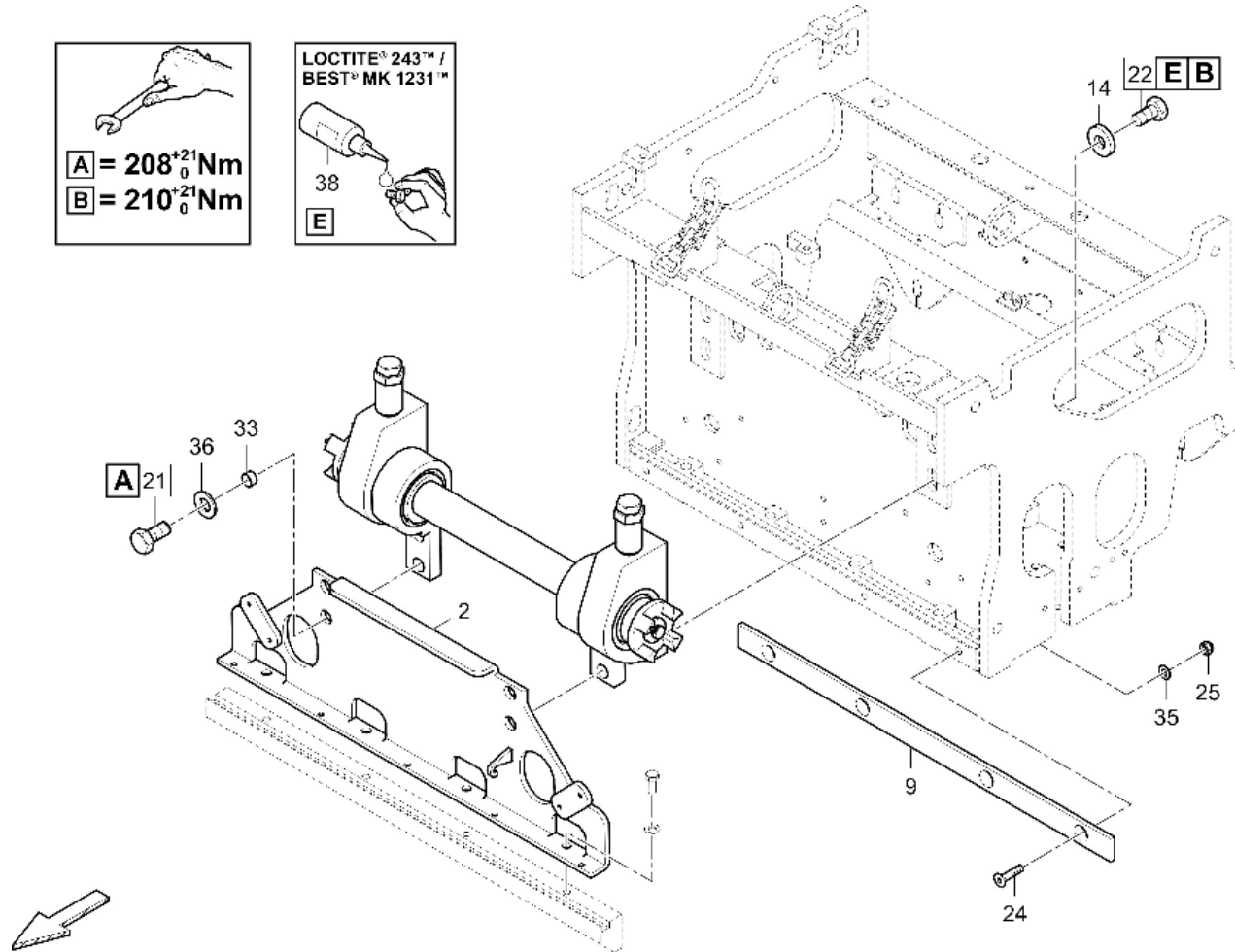
40-4812035437 Coupling86

Socket pin 40-4812028407 Socket pin

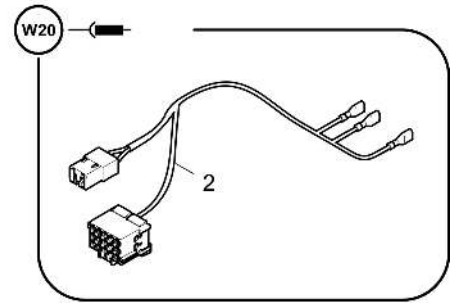
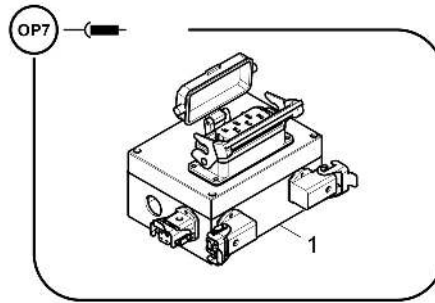
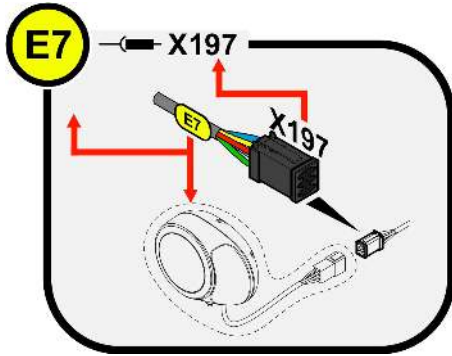


Item	Part No.	Name	Qty	L	C	SN INFO
1	40-4812028406	Socket pin	1			
2	40-4749300213	Spring cotter	1			
3	40-4749300214	Key ring	2			
4	40-D393000193	Chain	1			

Tamper drive ext. part 750mm 40-4812028555 Tamper drive ext. part 750mm

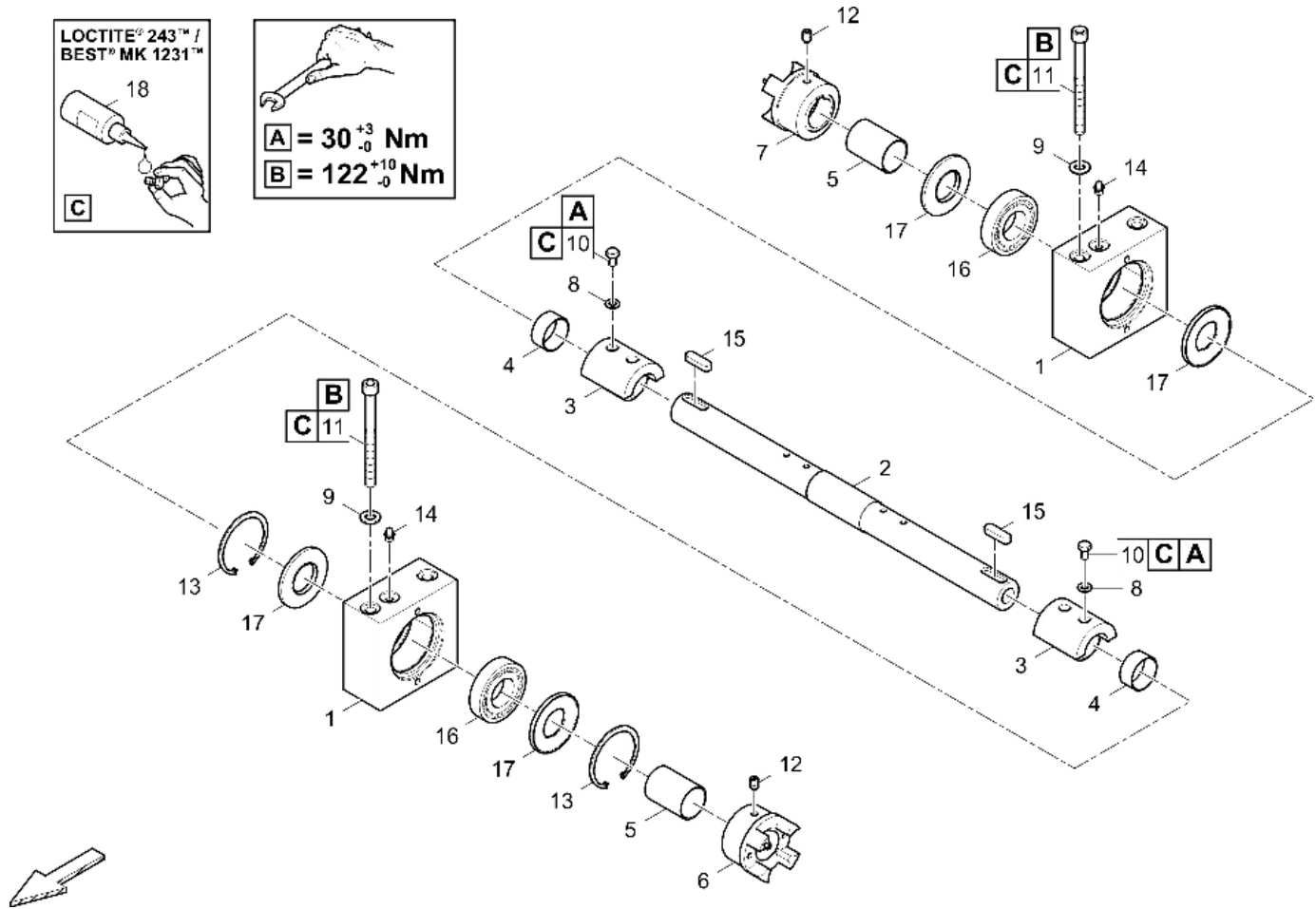


Electric AT I.h. 750 40-4812017899 Electric AT I.h. 750



Item	Part No.	Name	Qty	L	C	SN INFO
1	40-4812017907	Electric	1			
2	40-4812033701	Cable harness W20 AT750	1			

Vibration ext. part 750mm 40-4812233616 Vibration ext. part 750mm



Item	Part No.	Name	Qty	L	C	SN INFO
1	40-4812233617	Bearing	2			
2	40-4812029014	Vibration tube	1			
3	40-4812033564	Kinetic energy mass	2			
4	40-4812029016	Spacer	2			
5	40-4812029017	Spacer	2			
6	40-4730014757	Coupling	1			
6.1	40-4749900664	Dowel sleeve	1			
7	40-4730014758	Coupling	1			
7.1	40-4749900664	Dowel sleeve	1			
8	40-4749901806	Washer	4			
9	40-4749901808	Washer	4			
10	40-0211132303	Hex. socket screw	4			
11	40-0211110440	Hexagon socket head cap screw	4			

Refer to Parts Online for the most up to date information. The printed information might be outdated.

Wed Jun 08 07:24:00 UTC 2022

Referenced Pages

40-D614134600 Adjusting screw 59

Referenced Pages

40-4812028407 Socket pin120

Referenced Pages

40-D614134600 Adjusting screw 59

Referenced Pages

40-4812028757 Tamper guide plate ext. part 750mm, r.h.157

Referenced Pages

40-4812029716 Tamper drive ext. part 350mm, l.h. 75

Referenced Pages

40-4812033702 Cable harness W22 AT 350 89

Referenced Pages

40-D614134600 Adjusting screw 59

Referenced Pages

40-4812027938 Material duct, adj., 1000mm, r.h. 119

	Referenced Pages	
40-4812075066 Footboard		137
	Referenced Pages	
40-4812075065 Footboard		136

Referenced Pages

40-4812028555 Tamper drive ext. part 750mm130

Referenced Pages

40-4812232812 Extension mount, AT750, electric, r.h.147

Referenced Pages

40-4812218140 Vibration ext. part 750mm 133

Referenced Pages

40-4812233616 Vibration ext. part 750mm 150

Referenced Pages

40-4812033699 Electric166

Referenced Pages

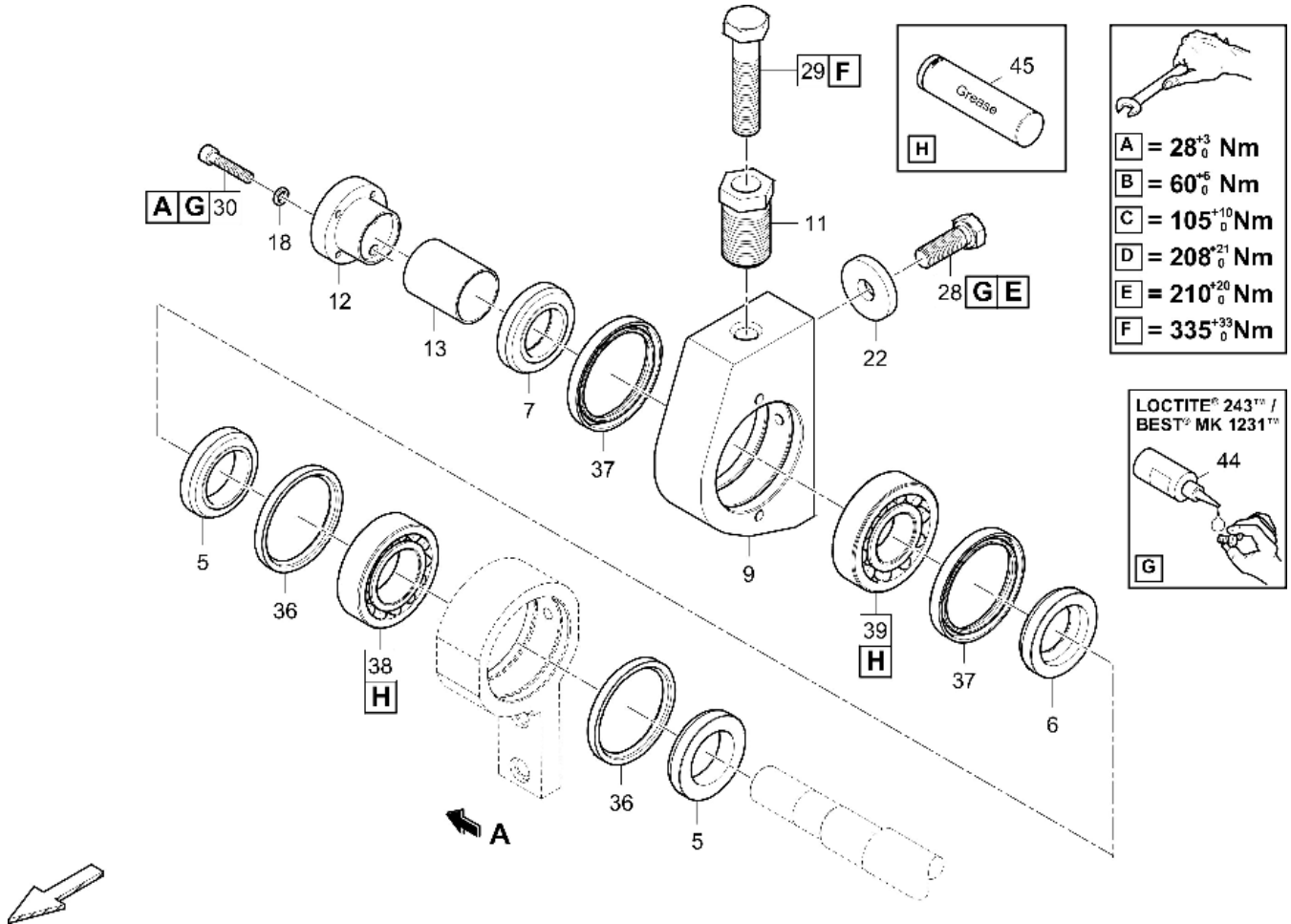
40-4812076801 Coupling 85

Referenced Pages

40-4812029882 Vibration ext. part 350mm, r.h.103

Referenced Pages

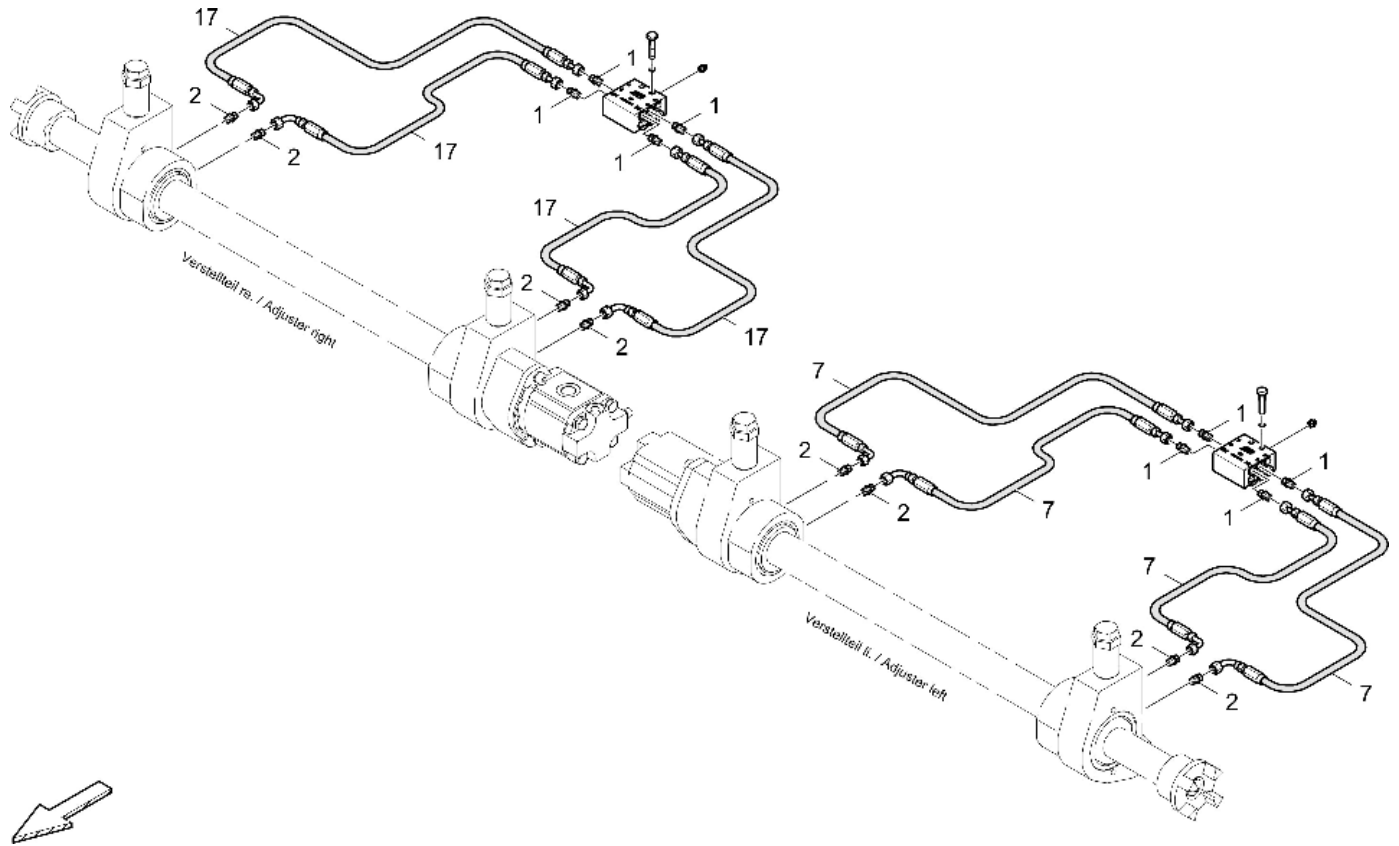
40-4812017906 Electric115



Refer to Parts Online for the most up to date information. The printed information might be outdated.

Wed Jun 08 07:24:19 UTC 2022

Item	Part No.	Name	Qty	L	C	SN INFO
15	40-4812227162	Housing	1			
18	40-4749901807	Lock washer	2			
21	40-4749900538	Washer	4			
22	40-4749900508	Cup spring	2			
25	40-0147147503	Hex bolt	6			
26	40-0147147803	Hexagon bolt	4			
27	40-0147110707	Hexagon head screw	2			
30	40-4749900236	Threaded pin	1			
31	40-0106010104	Cylinder pin	4			
32	40-4749900486	Circlip	2			
33	40-D936030849	Circlip	2			
34	40-4749040079	Seal ring	4			
35	40-4749040059	Seal ring	3			
36	40-D935011814	Pendulum roller bearing	2			
37	40-4749540018	Bearing	2			
38	40-4749302339	Bushing	4			
39	40-4812005307	Motor	1			
40	40-0211137503	Screw	2			
41	40-4730014426	Support block	1			
42	40-D939776124	Washer	4			
43	40-D930290215	Adhesive	1			
44	40-4812161897	Paver Grease / 1 cartridge	1			



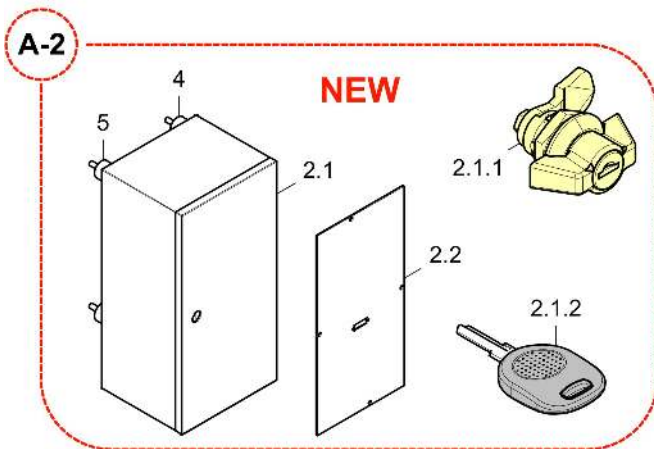
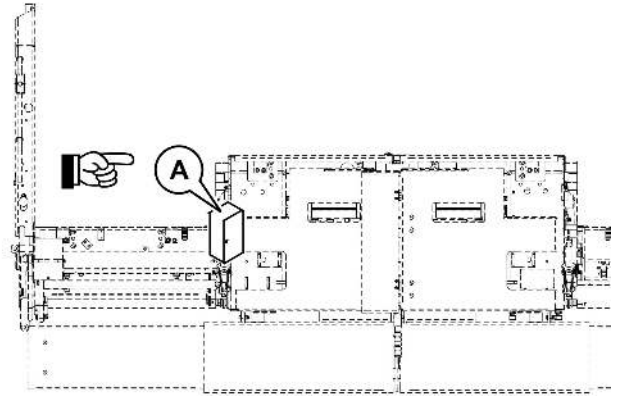
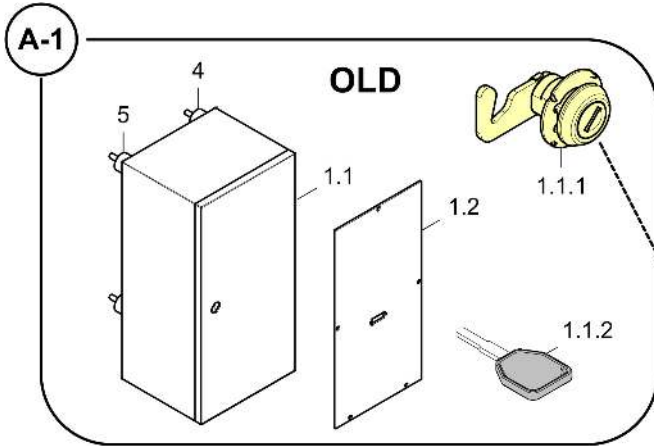
Item	Part No.	Name	Qty	L	C	SN INFO
1	40-D935555038	Valve body	16			
2	40-4749220493	Stud	16			
3	40-4812037315	Grease hose	4			
5	40-4812037316	Grease hose	4			
7	40-4812037319	Grease hose	4			
17	40-4812008428	Grease hose	4			

Refer to Parts Online for the most up to date information. The printed information might be outdated.

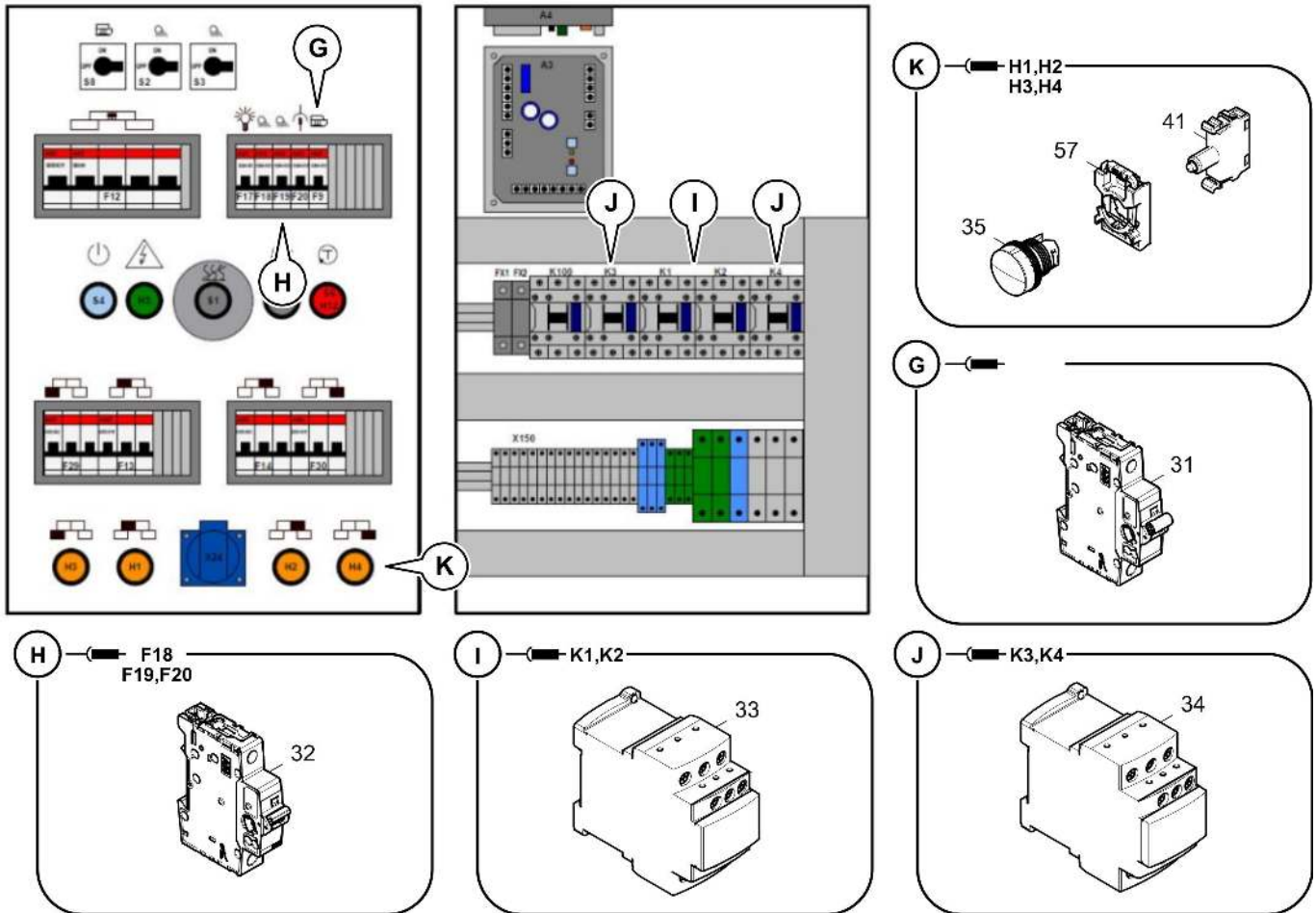
Wed Jun 08 07:24:29 UTC 2022

Item	Part No.	Name	Qty	L	C	SN INFO
12	40-0211132303	Hex. socket screw	4			
13	40-0211137503	Screw	2			
14	40-0211110440	Hexagon socket head cap screw	4			
15	40-0190124143	Threaded pin	1			
16	40-4749901060	Dowel sleeve	1			
17	40-4749900351	Circlip	2			
18	40-0337719600	Feather key	1			
19	40-4749540044	Bearing	2			
20	40-4749302735	Sealing moulded product	4			
21	40-4812013465	Gear motor	1			
22	40-4812005471	Boss	1			
23	40-4812044123	Sleeve	1			
24	40-D937954487	Threaded pin	1			
25	40-D930290215	Adhesive	1			
26	40-4812161897	Paver Grease / 1 cartridge	1			

Junction box 40-4812076437 Junction box



 **Need to be identified by visual differences!**



Refer to Parts Online for the most up to date information. The printed information might be outdated.

Wed Jun 08 07:24:47 UTC 2022

CLICK HERE TO **DOWNLOAD** THE COMPLETE MANUAL

- Thank you very much for reading the preview of the manual.
- You can download the complete manual from: www.heydownloads.com by clicking the link below

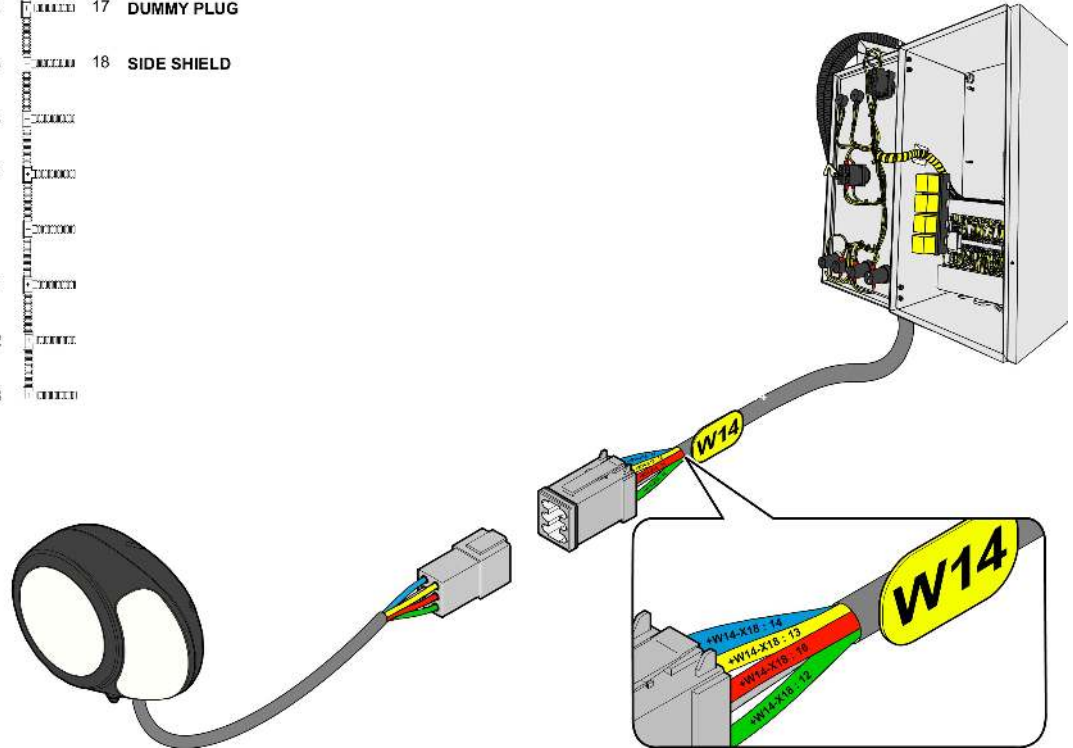


- Please note: If there is no response to **CLICKING** the link, please download this PDF first and then click on it.

CLICK HERE TO **DOWNLOAD** THE COMPLETE MANUAL

EI. side shield 40-4812217670 EI. Side shield

15	HARNESS W15	16.4	HARNESS W16.4
15.1	HARNESS W15.1	16.5	HARNESS W16.5
15.2	HARNESS W15.2	16.8	HARNESS W16.8
15.3	HARNESS W15.3	17	DUMMY PLUG
15.4	HARNESS W15.4	18	SIDE SHIELD
15.5	HARNESS W15.5		
15.8	HARNESS W15.8		
16	HARNESS W16		
16.1	HARNESS W16.1		
16.2	HARNESS W16.2		
16.3	HARNESS W16.3		

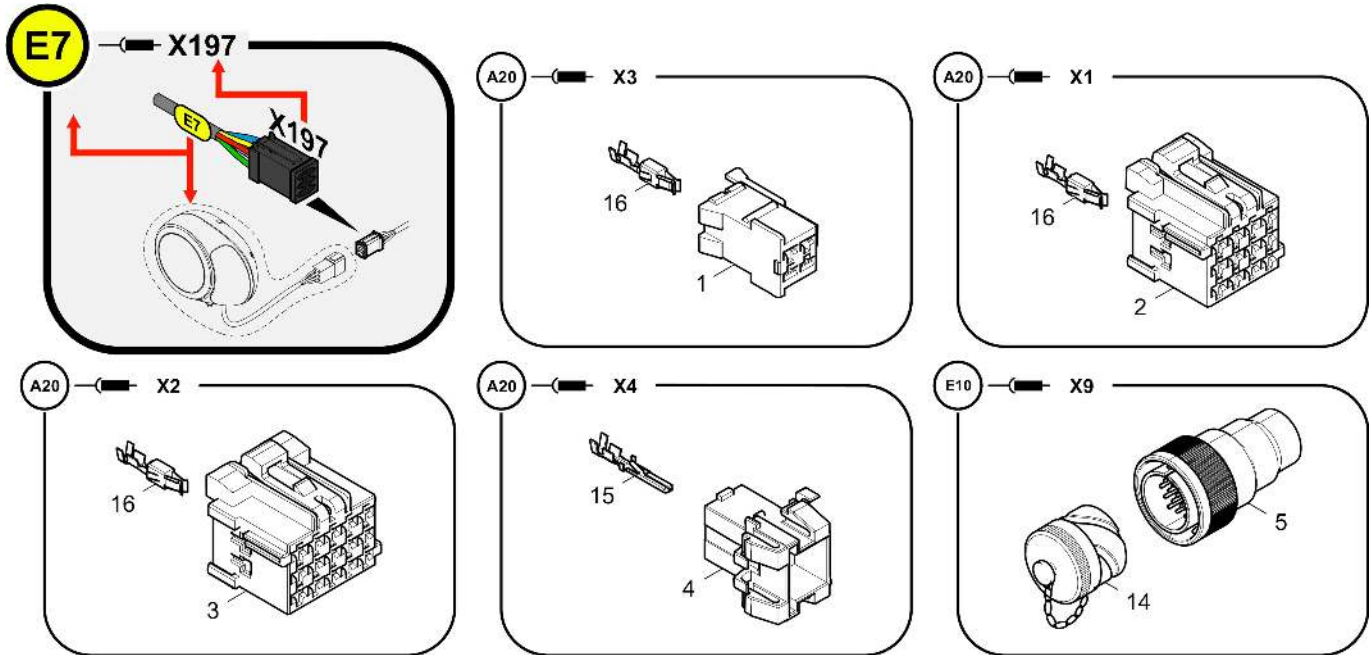


Item	Part No.	Name	Qty	L	C	SN INFO
15	40-4812217649	Harness W15	1			
15.1	40-4812217818	Harness W15.1	1			
15.2	40-4812217769	Harness W15.2	1			
15.3	40-4812217661	Harness W15.3	1			
15.4	40-4812217778	Harness W15.4	1			
15.5	40-4812072825	Harness W15.5	1			
15.8	40-4812217811	Harness W15.8	1			
16	40-4812217651	Harness W16	1			
16.1	40-4812217832	Harness W16.1	1			
16.2	40-4812217770	Harness W16.2	1			
16.3	40-4812217663	Harness W16.3	1			
16.4	40-4812217805	Harness W16.4	1			
16.5	40-4812072826	Harness W16.5	1			

Refer to Parts Online for the most up to date information. The printed information might be outdated.

Wed Jun 08 07:24:51 UTC 2022

Harness 40-4812217651 Harness W16



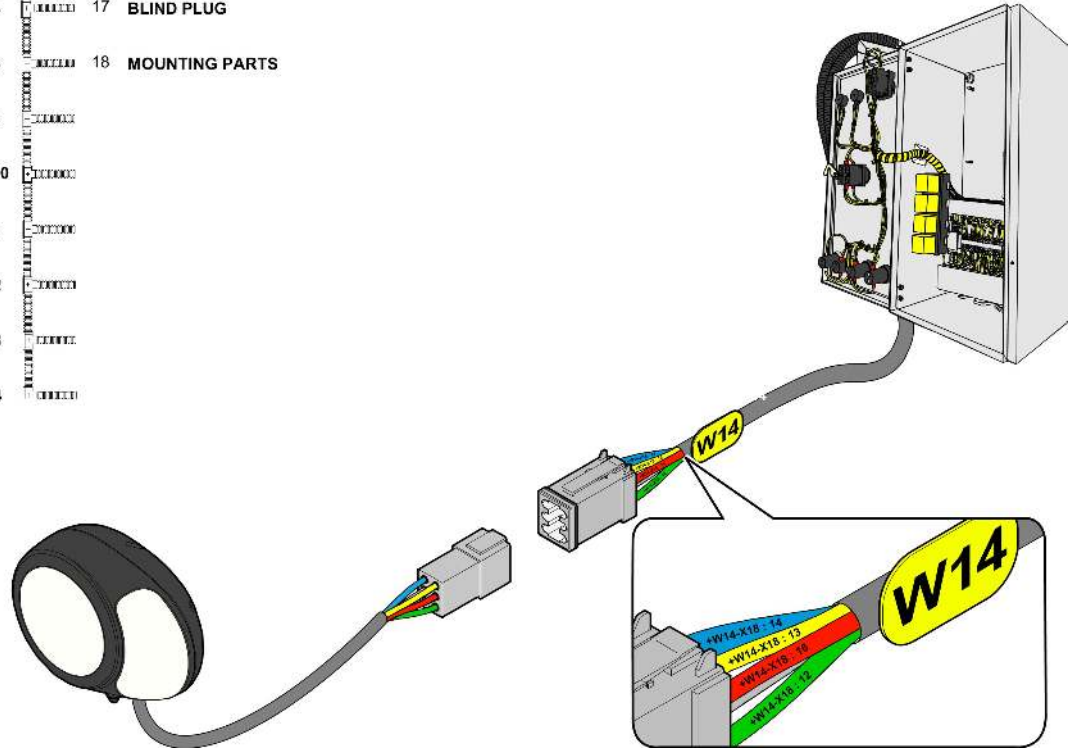
Item	Part No.	Name	Qty	L	C	SN INFO
1	40-4812029304	Power-timer housing	1			
2	40-4812029613	Power-timer housing	1			
3	40-4812046158	Power timer housing	1			
4	40-4812029308	Socket	1			
5	40-4812073667	Plug	1			
14	40-4812073686	Dust cap	1			
15	40-4812029310	Plug contact	4			
16	40-4812030987	Female contact	16			

Refer to Parts Online for the most up to date information. The printed information might be outdated.

Wed Jun 08 07:24:56 UTC 2022

Electric, side shield 40-4812075499 Electric, side shield

15.1 HARNESS W15.1	16.5 HARNESS W16.5
15.2 HARNESS W15.2	16.8 HARNESS W16.8
15.3 HARNESS W15.3	16.20 HARNESS W16.20
15.4 HARNESS W15.4	17 BLIND PLUG
15.5 HARNESS W15.5	18 MOUNTING PARTS
15.8 HARNESS W15.8	
15.20 HARNESS W15.20	
16.1 HARNESS W16.1	
16.2 HARNESS W16.2	
16.3 HARNESS W16.3	
16.4 HARNESS W16.4	

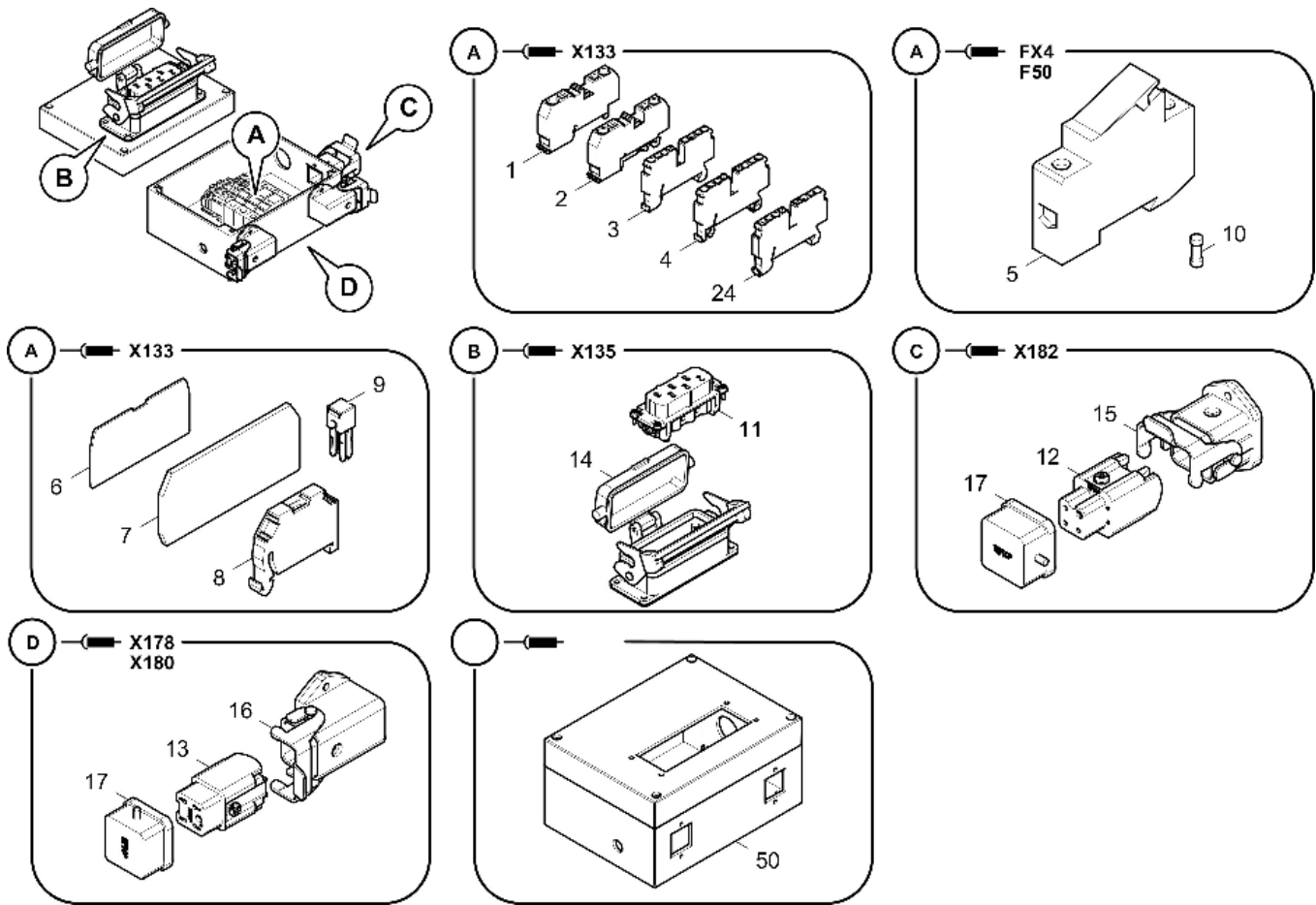


Item	Part No.	Name	Qty	L	C	SN INFO
15.1	40-4812217818	Harness W15.1	1			
15.2	40-4812217769	Harness W15.2	1			
15.3	40-4812217661	Harness W15.3	1			
15.4	40-4812217778	Harness W15.4	1			
15.5	40-4812072825	Harness W15.5	1			
15.8	40-4812217811	Harness W15.8	1			
15.20	40-4812075497	Harness W15.20	1			
16.1	40-4812217832	Harness W16.1	1			
16.2	40-4812217770	Harness W16.2	1			
16.3	40-4812217663	Harness W16.3	1			
16.4	40-4812217805	Harness W16.4	1			
16.5	40-4812072826	Harness W16.5	1			
16.8	40-4812217851	Harness W16.8	1			

Refer to Parts Online for the most up to date information. The printed information might be outdated.

Wed Jun 08 07:25:02 UTC 2022

Housing 40-4812017796 Housing VTR

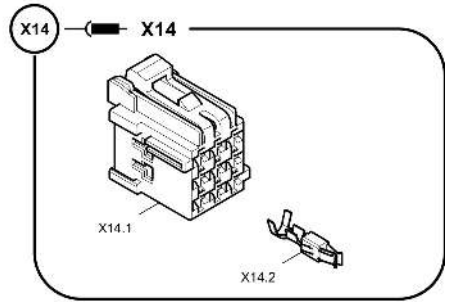
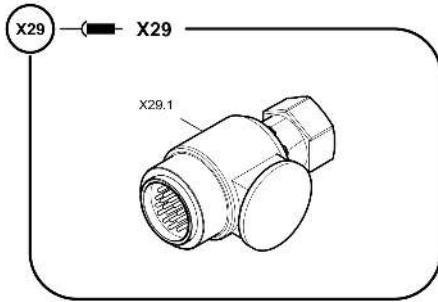
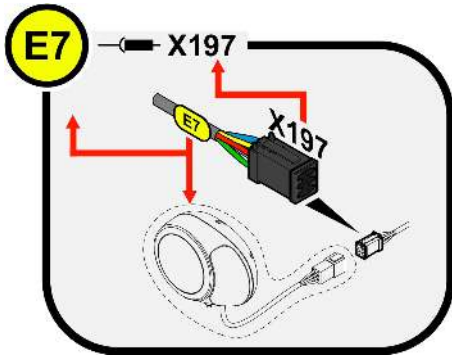


Item	Part No.	Name	Qty	L	C	SN INFO
1	40-D977425180	Through clamp	2			
2	40-D977425181	Through clamp	1			
3	40-D977425147	Through clamp	1			
4	40-D977425148	Through clamp	1			
5	40-4812034089	Fuse clamp	3			
6	40-D977425149	End plate	1			
7	40-D977425182	End plate	1			
8	40-D977425146	End clamp	1			
9	40-D977425102	Bridge	1			
10	40-4812034496	Fuse	3			
11	40-4812007368	Insert	1			
12	40-D977463153	Insert	1			
13	40-D977463175	Socket contact	2			

Refer to Parts Online for the most up to date information. The printed information might be outdated.

Wed Jun 08 07:25:08 UTC 2022

Cable 40-4812217863 Harness W7

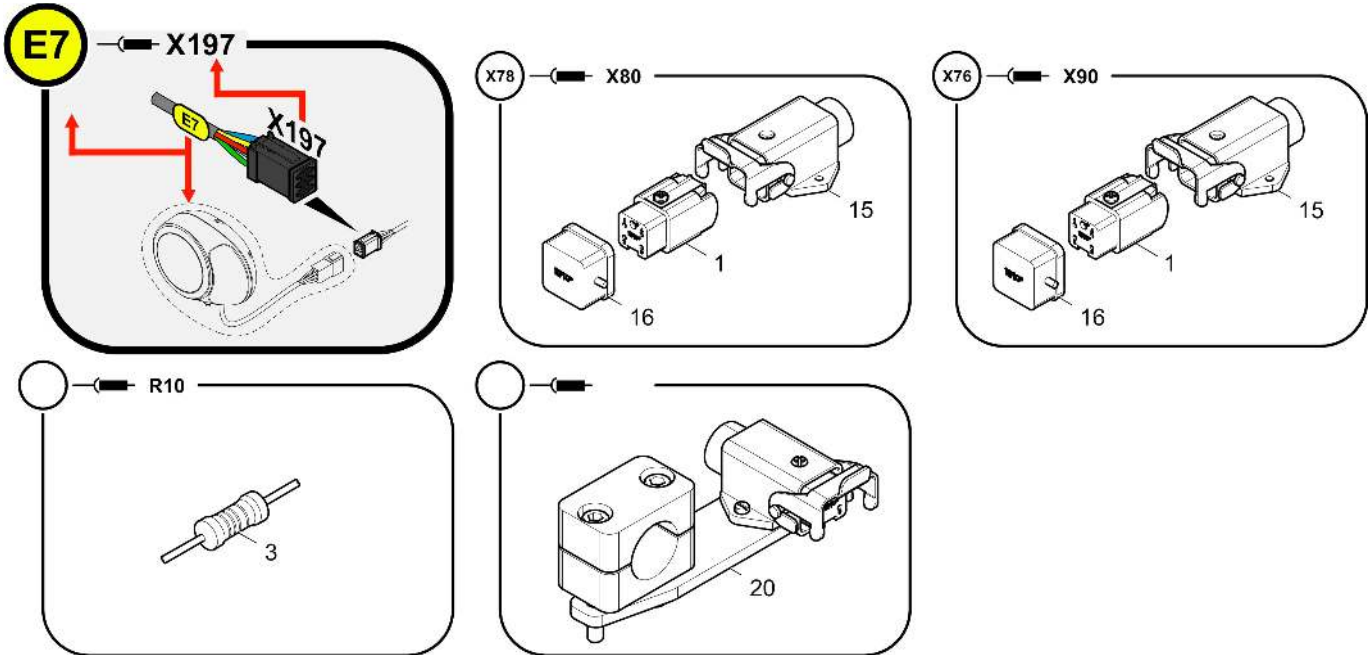


Item	Part No.	Name	Qty	L	C	SN INFO
X29	Electrical components			X29 - X29	
X29.1	40-4812041899	Plug	1			
X14	Electrical components			X14 - X14	
X14.1	40-4812029603	Power timer housing	1			
X14.2	40-4812030987	Female contact	7			

Refer to Parts Online for the most up to date information. The printed information might be outdated.

Wed Jun 08 07:25:12 UTC 2022

Cable 40-4812073067 Harness W25

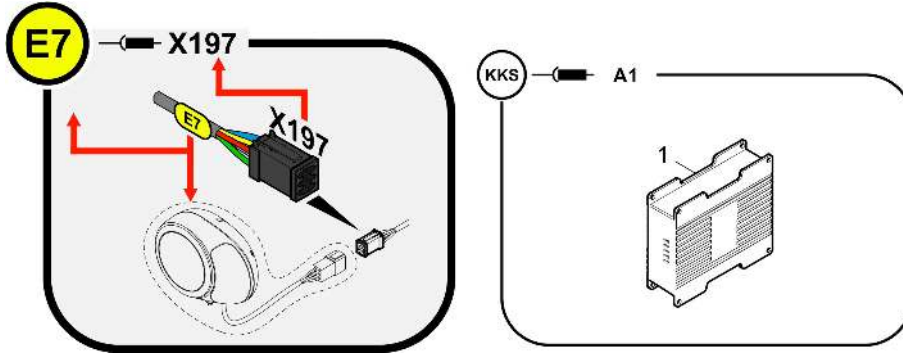


Item	Part No.	Name	Qty	L	C	SN INFO
1	40-D977463175	Socket contact	2			
3	40-D977180601	Resistor	1			
15	40-4812046460	Socket housing	2			
16	40-D977478247	Dust cap	2			
20	40-4812073830	Retainer	2			

Refer to Parts Online for the most up to date information. The printed information might be outdated.

Wed Jun 08 07:25:18 UTC 2022

Control system 40-4812071111 Control system



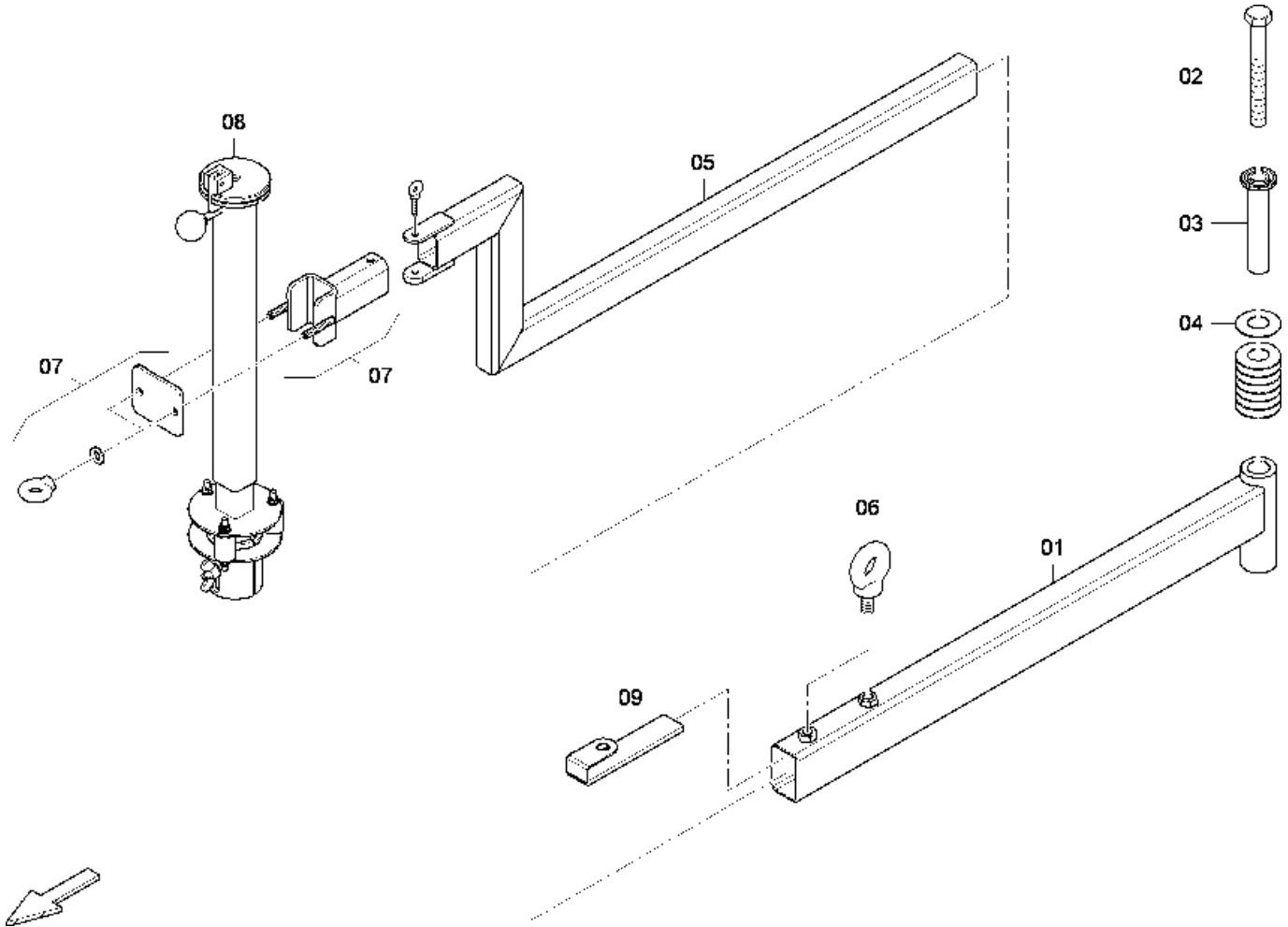
Item	Part No.	Name	Qty	L	C	SN INFO
1	40-4812071110	Screed Controller	1			

Item	Part No.	Name	Qty	L	C	SN INFO
14	40-4812071161	Gear	1			
15	40-D930177009	Pressure spring	1			
16	40-4812216447	Cover	1			
17	40-4812216448	Crank handle	1			
18	40-0300013040	Flat washer	1			
19	40-0215000621	Flat headed screw	1			
20	40-4749302381	Handle	1			
21	40-4812217149	Adhesive foil	1			
22	40-4812161897	Paver Grease / 1 cartridge	1			

Refer to Parts Online for the most up to date information. The printed information might be outdated.

Wed Jun 08 07:25:30 UTC 2022

40-D241519100 Height tracing 40-D241519100 Height tracing

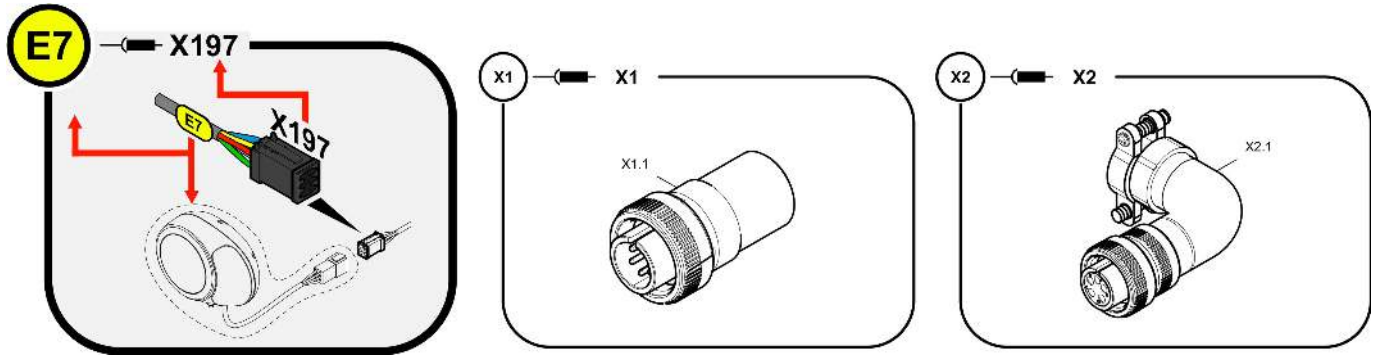


Item	Part No.	Name	Qty	L	C	SN INFO
1	40-4720001301	Swinging arm	1			
2	40-D938121965	Screw	1			
3	40-4730005422	Bushing	1			
4	40-4812030625	Cup spring	8			
5	40-4730011071	Holding device	1			
5.1	40-4741519108	Screw	1			
6	40-D937580116	Screw	2			
7	40-4720000707	Joint	1			
7.4	40-5730080679	Ring nut	2			
7.5	40-0302127405	Washer	2			
7.6	40-4730002150	Clamping	1			
8	40-4720003277	Holding device	1			
9	40-D241519101	Clamping	1			

Refer to Parts Online for the most up to date information. The printed information might be outdated.

Wed Jun 08 07:25:34 UTC 2022

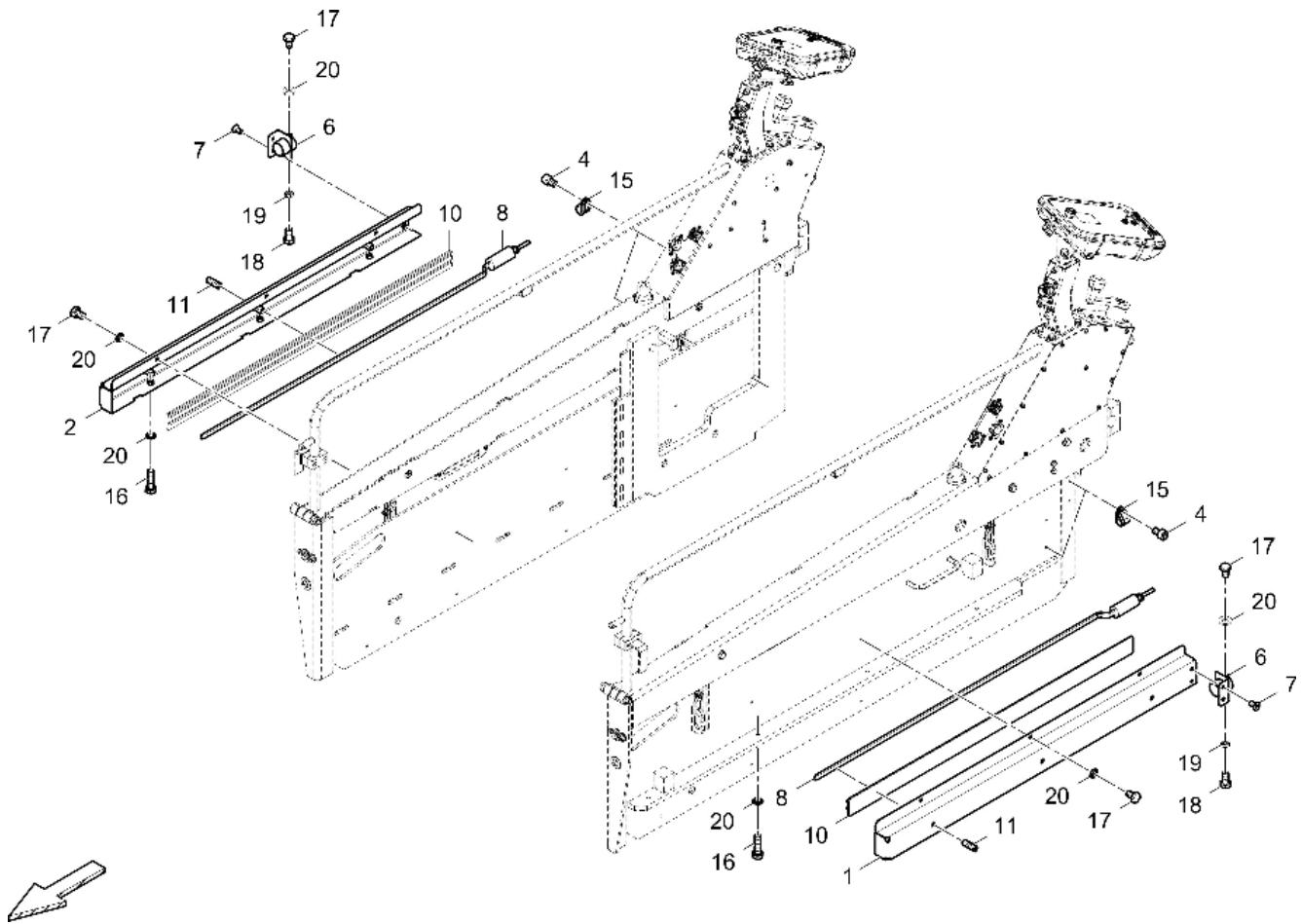
Cable, sonic sensor 40-4812217230 Cable, sonic sensor



Item	Part No.	Name	Qty	L	C	SN INFO
X1	Electrical components			X1-X1	
X1.1	40-4812075963	Plug	1			
X2	Electrical components			X2-X2	
X2.1	40-4812075966	Plug	1			

Refer to Parts Online for the most up to date information. The printed information might be outdated.

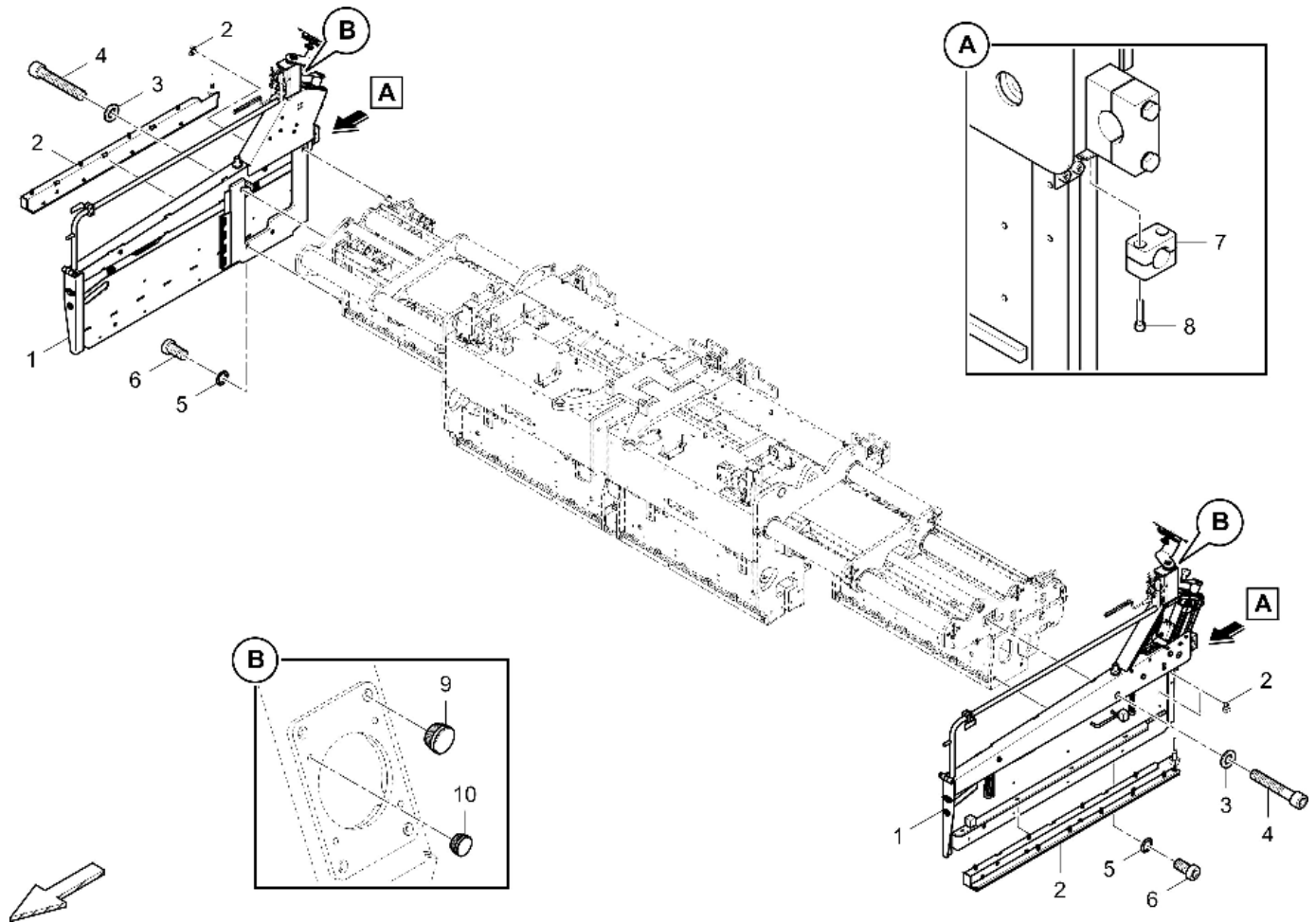
Wed Jun 08 07:25:38 UTC 2022

E-upper heating 40-4812238750 E-upper heating

Item	Part No.	Name	Qty	L	C	SN INFO
1	40-4812237263	Cover	1			
2	40-4812237260	Cover	1			
4	40-0211132003	Screw	4			
6	40-4812237349	Clamping pipe	2			
7	40-0216195725	Screw	4			
8	40-4812060499	Heating rod with connector	2			
10	40-4812237284	Jam profile	2			
11	40-0190124139	Threaded pin	6			
15	40-4812077254	Pipe clamp	4			
16	40-0147132603	Hexagon head screw	6			
17	40-0147132003	Hex. head screw	8			
18	40-0147132303	Hexagon bolt	2			
19	40-0266211000	Hexagon nut	2			

Refer to Parts Online for the most up to date information. The printed information might be outdated.

Wed Jun 08 07:25:41 UTC 2022

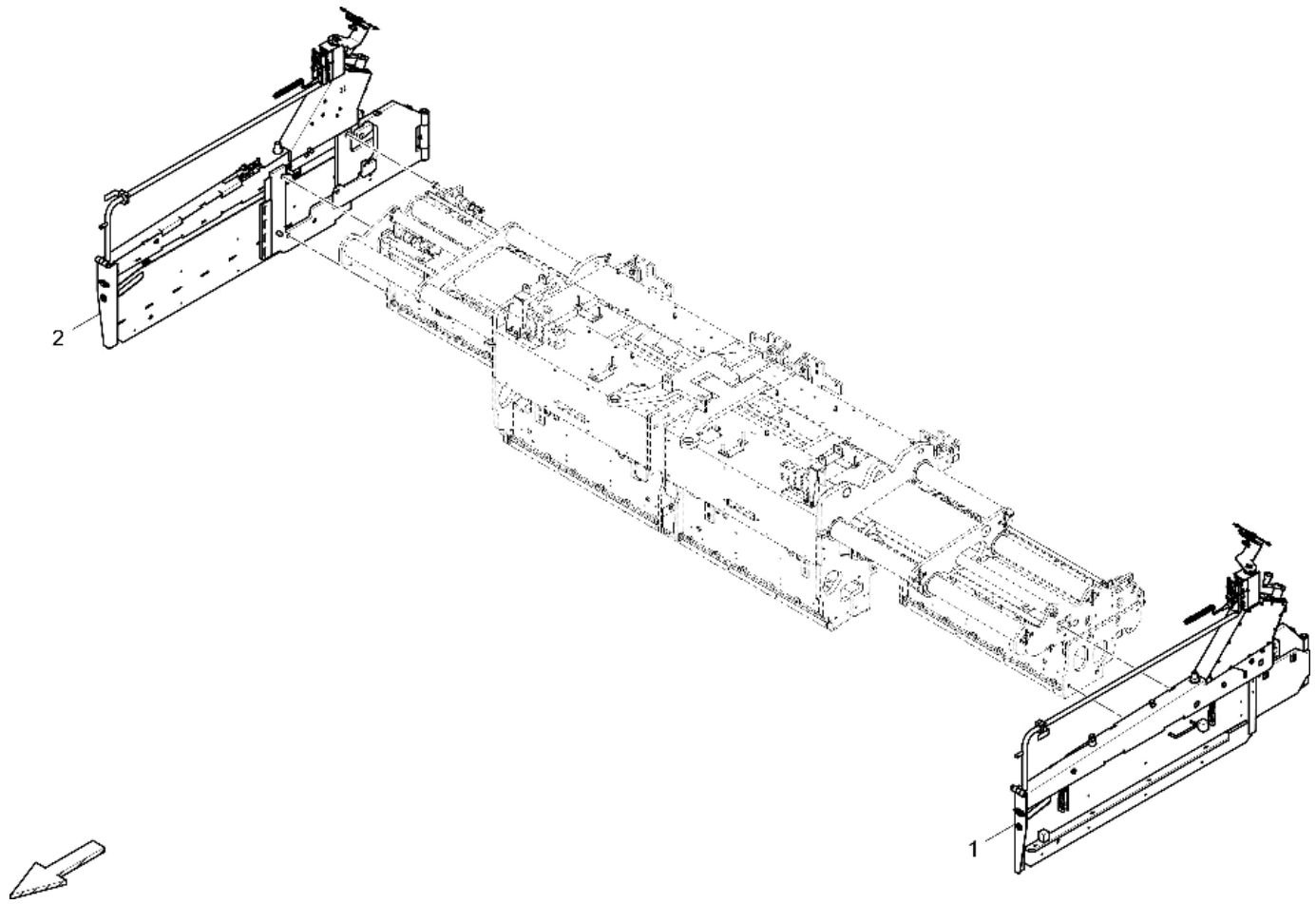
40-4812239690 El. end plate heating with skid, l.h. & r.h. 40-4812239690 El. end plate heating with skid, l.h. & r.h.

Item	Part No.	Name	Qty	L	C	SN INFO
1	40-4812239667	End plate, cpl	1			
2	40-4812238857	El. heating, end plate with skid l.h. & r.h.	1			
2	40-4812075621	El. heating, end plate with skid l.h. & r.h.	1			Valid from s/n 3103512, ff
3	40-0333310053	Washer	4			
4	40-0211196064	Hexagon socket head cap screw	4			
5	40-0333310044	Lock Washer	4			
6	40-0215001074	Hexagon socket head cap screw	4			
7	40-4749300093	Clamp	2			
8	40-0211125003	Screw, M6x30, 8.8	4			
9	40-4812018545	Plug	4			
10	40-4812018546	Plug	4			

Refer to Parts Online for the most up to date information. The printed information might be outdated.

Wed Jun 08 07:25:43 UTC 2022

End plate, cpl 40-4812239692 End plate, cpl



Item	Part No.	Name	Qty	L	C	SN INFO
1	40-4812239684	End plate, l.h.	1			
2	40-4812239685	End plate, r.h.	1			

Item	Part No.	Name	Qty	L	C	SN INFO
16	40-4812231374	Wire rope	1			
17	40-4812231370	Cable	1			
18	40-4812239567	Chain link	2			
19	40-4749302415	Rope clamp	2			
20	40-4812239634	Sheet	1			
21	40-4812024051	Sheet	1			
22	40-0301233500	Plain washer	4			
23	40-0147132403	Hex.bolt	2			
24	40-4812238577	Holder plate, r.h.	1			
25	40-0147132203	Hexagon head screw	2			
26	40-4812216375	Flanged bush	1			
27	40-0211124403	Hex.socket cap screw	3			
28	40-0211124703	Hex sock. screw	1			
29	40-4812216366	Washer	1			
30	40-4812217535	Holder for remote control	1			
31	40-0211110430	Hexagon socket head cap screw	1			
32	40-4749900481	Cup spring	3			
33	40-0261109962	Hexagon nut	2			
34	40-4812215994	Swallowtail	1			
35	40-4812216536	Lock washer	4			
36	40-D938182490	Hexagon screw	4			
37	40-D937180619	Hex. nut	1			
38	40-4812216530	Cocking handle	1			
39	40-4812235681	Holding device	1			
40	40-0211110424	Hexagon socket head cap screw	1			
41	40-5730007656	Hexagon nut	1			
42	40-4749300213	Spring cotter	1			
43	40-4812231350	Fixture	1			
44	40-4812216514	Cover plate	1			
45	40-0333310043	Schnorr-lock washer	2			
46	40-0147140705	Hexagon head screw	2			
47	40-4720003740	Safety lock	1			
48	40-4812023964	Holding plate	1			
49	40-0147117303	Hex. head screw	4			
50	40-0266210600	Hexagon nut M4	4			

Refer to Parts Online for the most up to date information. The printed information might be outdated.

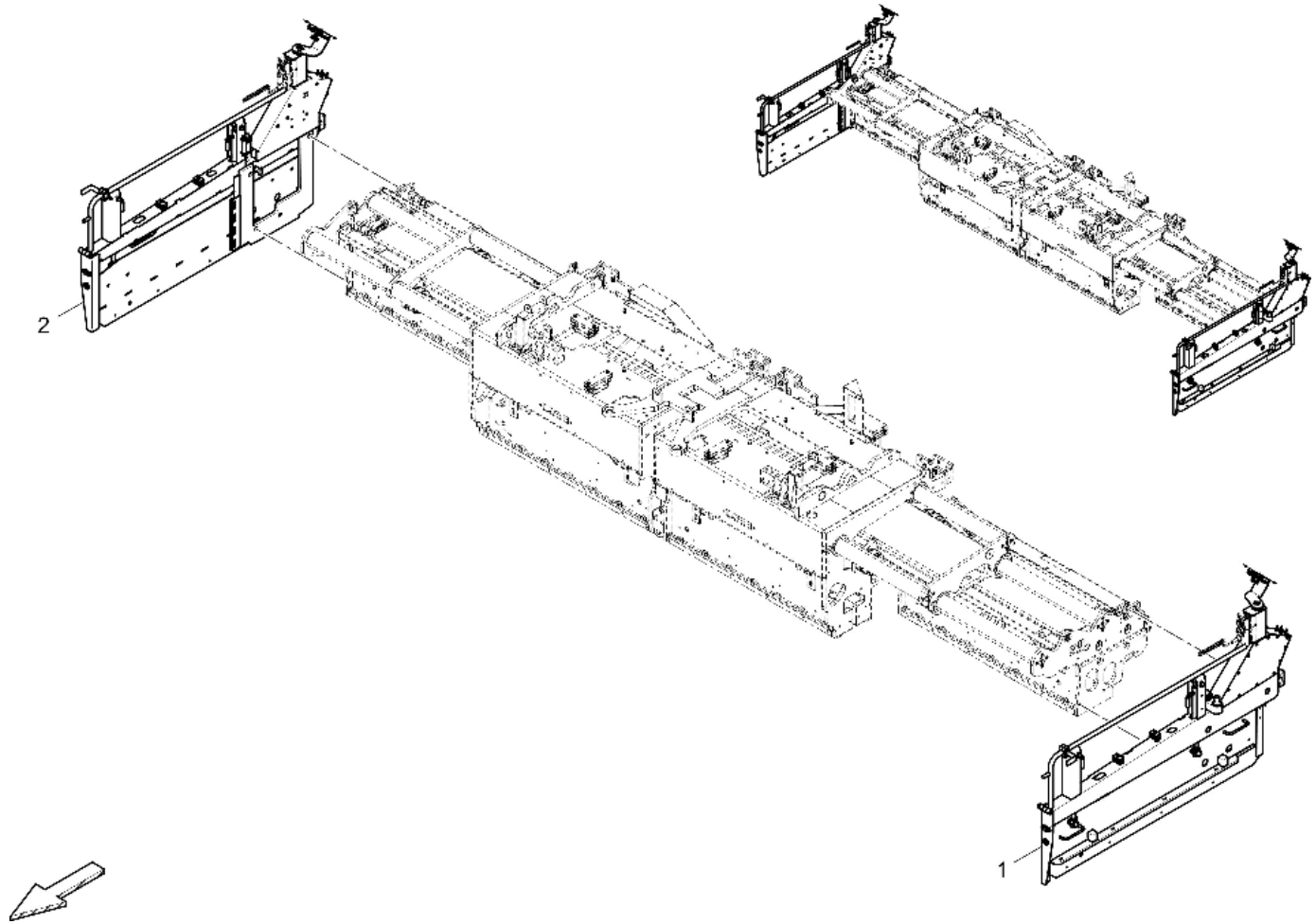
Wed Jun 08 07:25:51 UTC 2022

	Referenced Pages	
40-4812234689 Hinge, l.h.		517
	Referenced Pages	
40-4812239684 End plate, l.h.		511

Referenced Pages

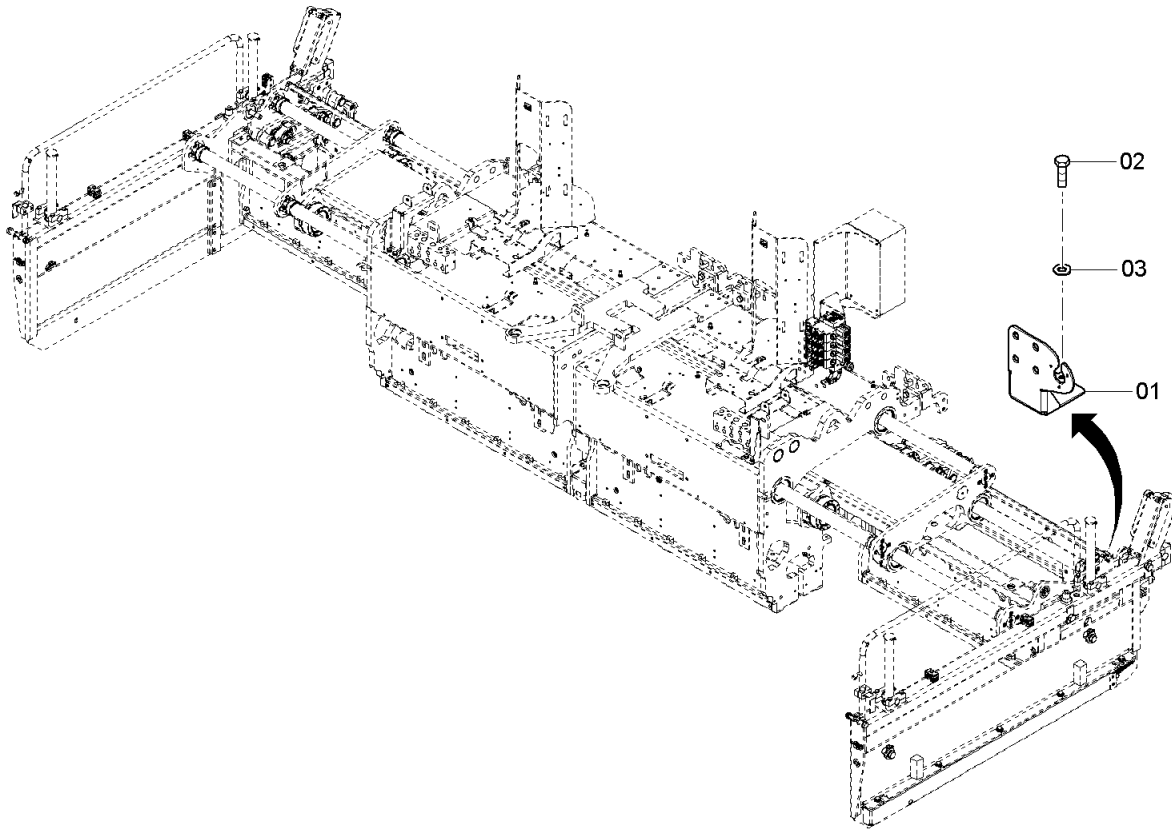
40-4720003740 Safety lock461

End plate, cpl 40-4812239882 End plate, cpl



Item	Part No.	Name	Qty	L	C	SN INFO
1	40-4812239844	End plate, l.h.	1			
2	40-4812239846	End plate, r.h.	1			

Stiffening plate, I.h. 40-4812010358 Plate, I.h.

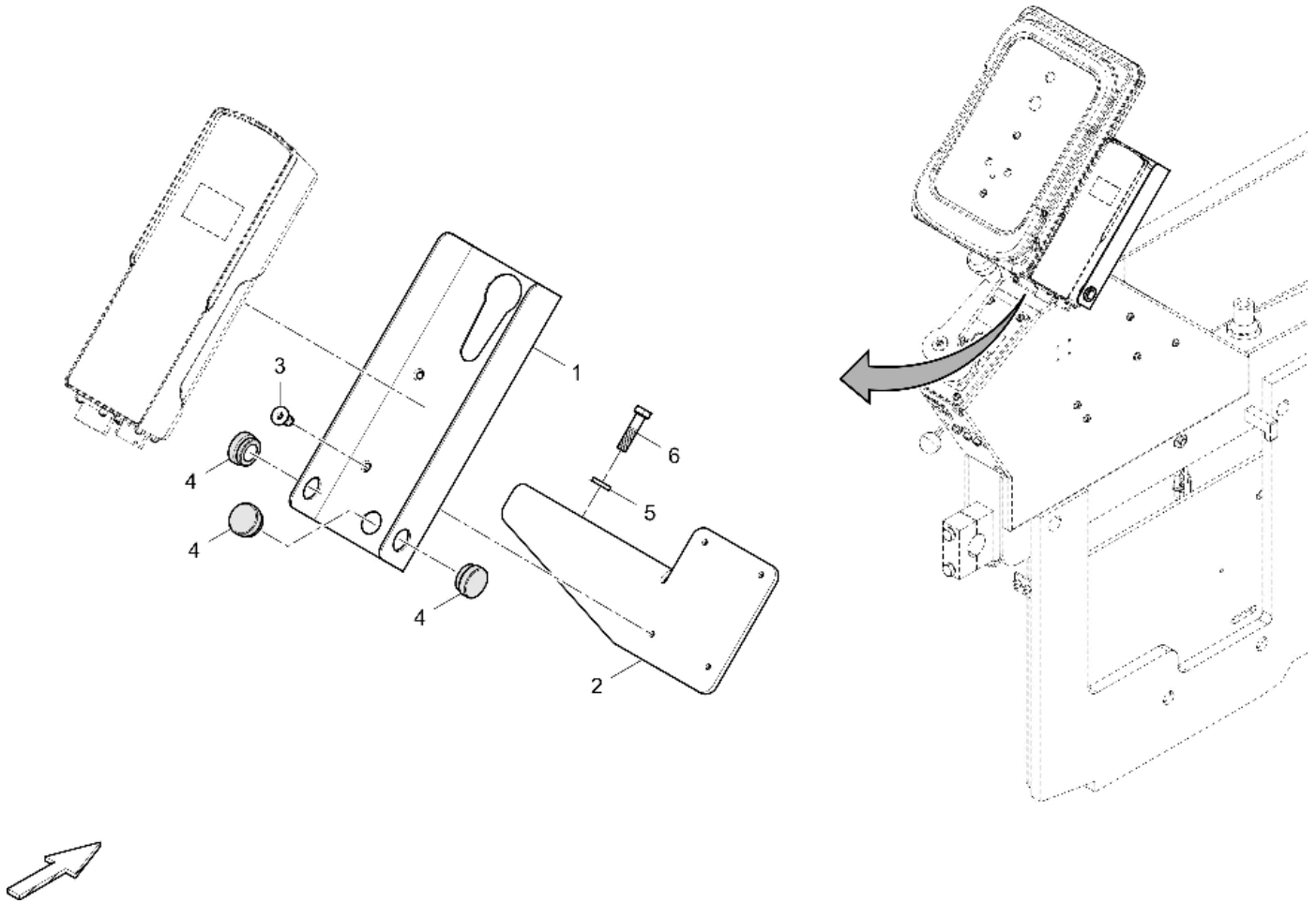


Item	Part No.	Name	Qty	L	C	SN INFO
1	40-4812010219	Plate, L.H.	1			
2	40-0147136203	Screw	2			
3	40-4749901807	Lock washer	2			

	Referenced Pages	
40-4812239846 End plate, r.h.		554
	Referenced Pages	
40-4812239882 End plate, cpl		549

Referenced Pages

40-4812010756 Hose clamp574

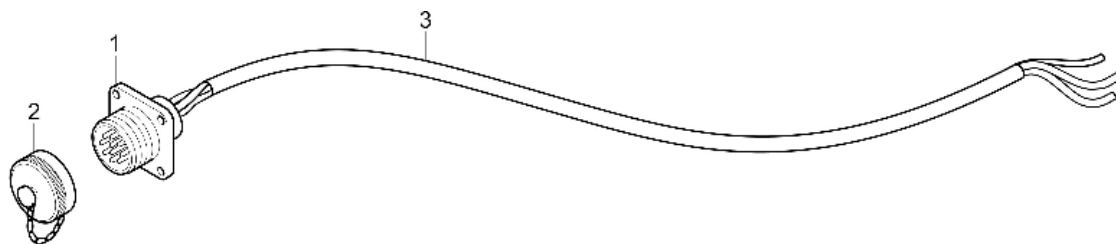
Conversion kit ex. operation, l.h. 40-4812217440 Conversion kit ex. operation, l.h.

Item	Part No.	Name	Qty	L	C	SN INFO
1	40-4812217424	Adapter plate	1			
2	40-4812217441	Bracket for remote control	1			
3	40-0216110046	Countersunk screw	4			
4	40-4749302522	Grommet	3			
5	40-4812234041	Washer	4			
6	40-0147120803	Hex. head screw	4			

Refer to Parts Online for the most up to date information. The printed information might be outdated.

Wed Jun 08 07:26:11 UTC 2022

Harness 40-4812019454 Harness W10

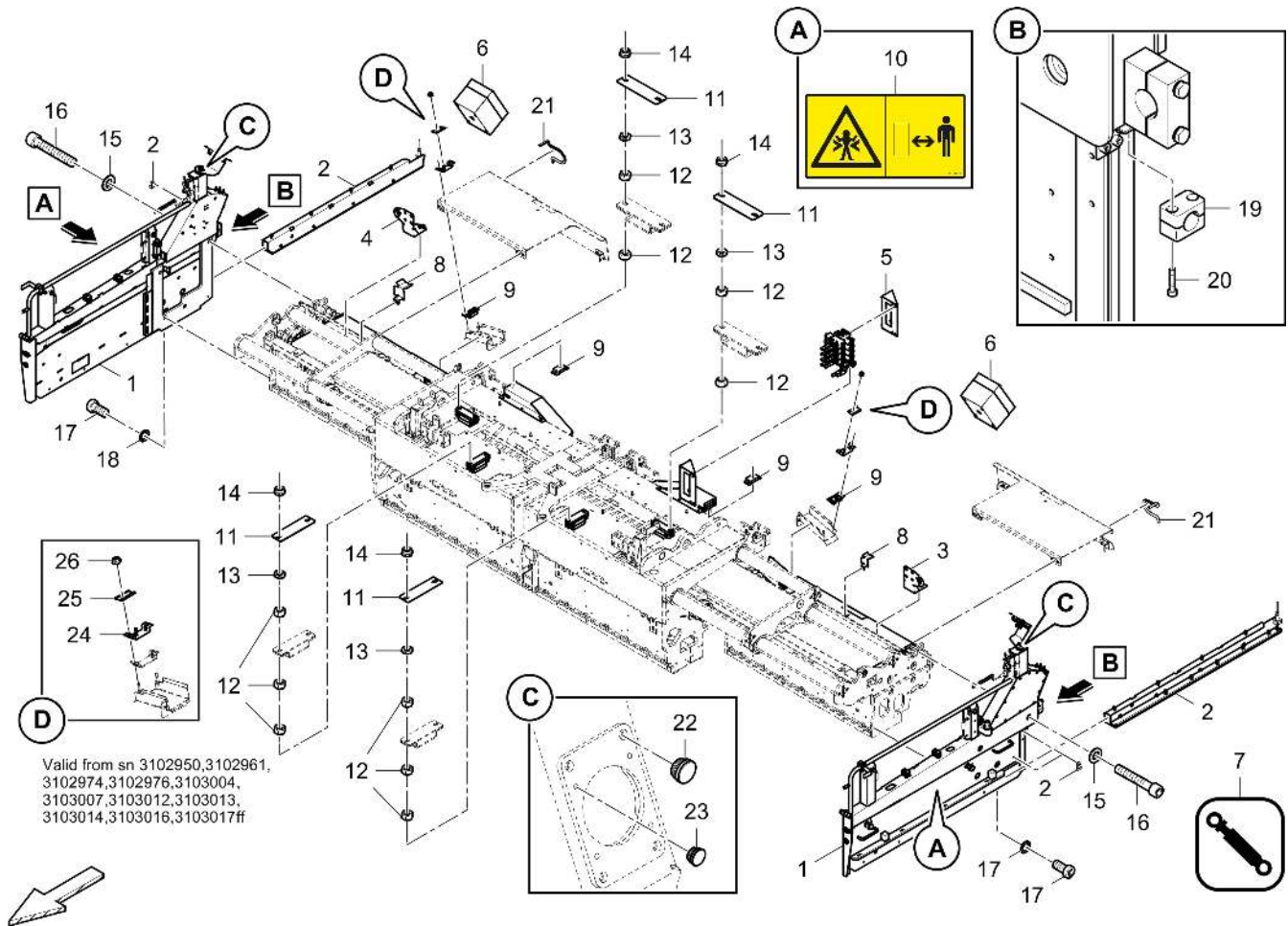


Item	Part No.	Name	Qty	L	C	SN INFO
1	40-4812073673	Socket	1			
2	40-4812073690	Dust cap	1			
3	40-D977365414	Cable x m	1			

Referenced Pages

40-4812228334 Retainer 478

40-4812239899 Hydr. end plate el. heating with skid, l.h. & r.h. 40-4812239899 Hydr. end plate el. heating with skid, l.h. & r.h.



Item	Part No.	Name	Qty	L	C	SN INFO
1	40-4812239882	End plate, cpl	1			
2	40-4812238857	El. heating, end plate with skid l.h. & r.h.	1			
2	40-4812075621	El. heating, end plate with skid l.h. & r.h.	1			Valid from s/n 3103512, ff
3	40-4812063871	Stiffening plate, l.h.	1			
4	40-4812063808	Stiffening plate, r.h.	1			
5	40-4812076664	Hydraulic, pre-assembly	1			
6	40-4812217238	Electric	1			
7	40-4812019249	Hydraulic, end plate	1			
8	40-4812010756	Hose clamp	2			
9	40-4812010929	Suppression	4			
10	40-D956044900	Warning sign: Danger of violent pressure	2			
11	40-4812033554	Suppression	4			

Refer to Parts Online for the most up to date information. The printed information might be outdated.

Wed Jun 08 07:26:22 UTC 2022

Referenced Pages

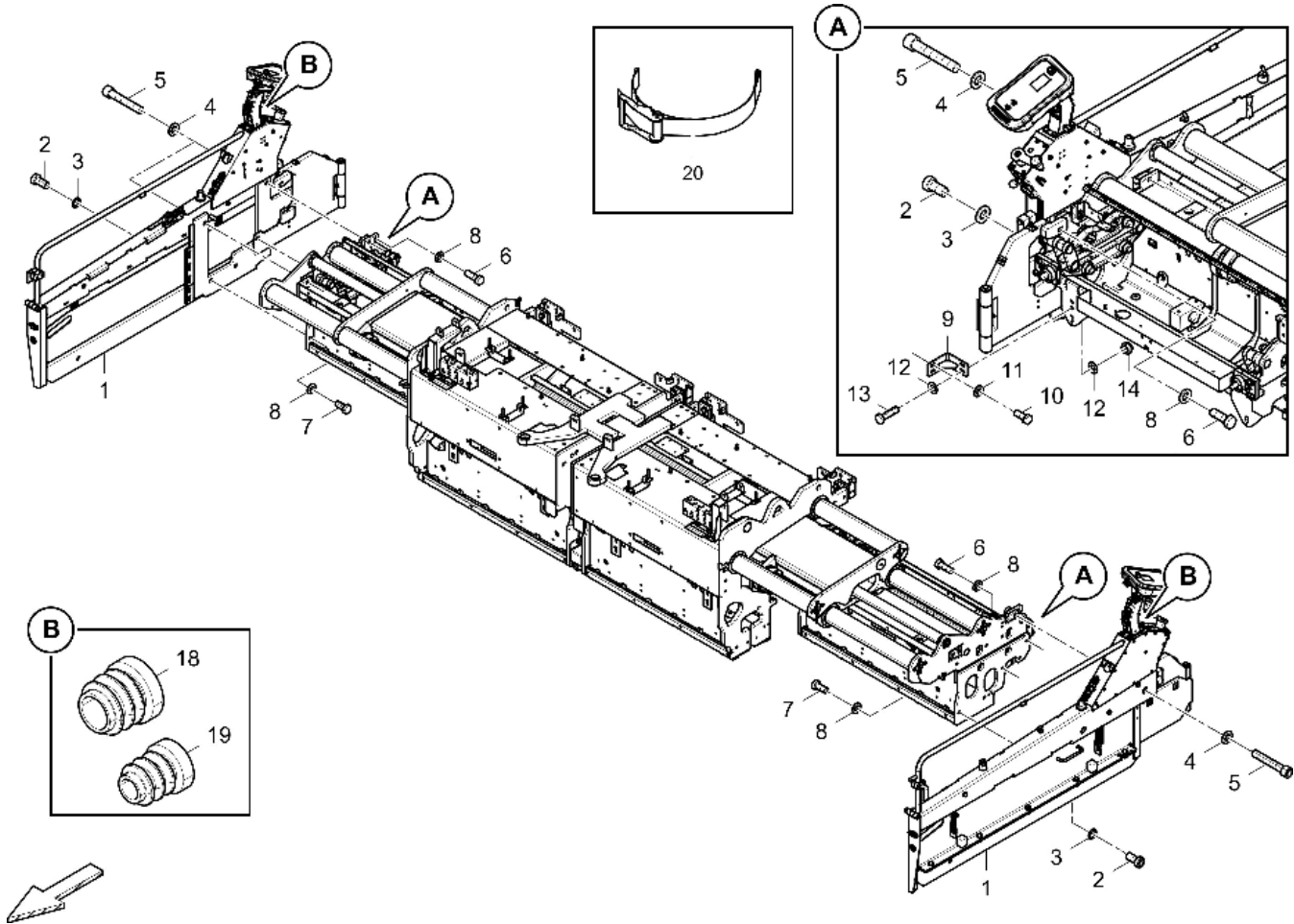
40-4812217461 Harness W6 426

Item	Part No.	Name	Qty	L	C	SN INFO
18	40-D614161400	Crank handle	1			
19	40-4812017592	Shift fork	1			
20	40-4812231167	Roller	2			
21	40-4812014970	Pipe	3			
22	40-4812231168	Roller	2			
23	40-4812231374	Wire rope	1			
24	40-4812232926	Clamping plate	2			
25	40-4812232881	Cover plate	1			
26	40-4749900481	Cup spring	2			
27	40-5730007656	Hexagon nut	3			
28	40-0147136003	Screw cap	4			
29	40-0333310051	Lock washer	4			
30	40-D939786935	Screw	5			
31	40-0215000620	Flat headed screw	1			
32	40-4812231350	Fixture	1			
33	40-0333310043	Schnorr-lock washer	2			
34	40-0147141103	Hex. head screw M12 x 80	1			
35	40-4812231370	Cable	1			
37	40-4812231238	Shift dog	1			
39	40-5730008547	Eyebolt	1			
40	40-4749302381	Handle	1			
41	40-0301237800	Plain washer	4			
42	40-0337212100	Feather key	1			
43	40-0301231500	Plain washer	16			
44	40-4812216710	Screw	16			
45	40-D930177009	Pressure spring	1			
46	40-0215000621	Flat headed screw	25			
47	40-0147134003	Screw	1			
48	40-D930429155	Star grip screw	1			
49	40-0190124150	Set screw	1			
50	40-0333317507	Schnorr-lock washer	4			
51	40-0333310050	Lock washer	2			
52	40-0291111000	Lock nut	1			
53	40-0266211000	Hexagon nut	3			
54	40-0300013040	Flat washer	1			

Refer to Parts Online for the most up to date information. The printed information might be outdated.

Wed Jun 08 07:26:25 UTC 2022

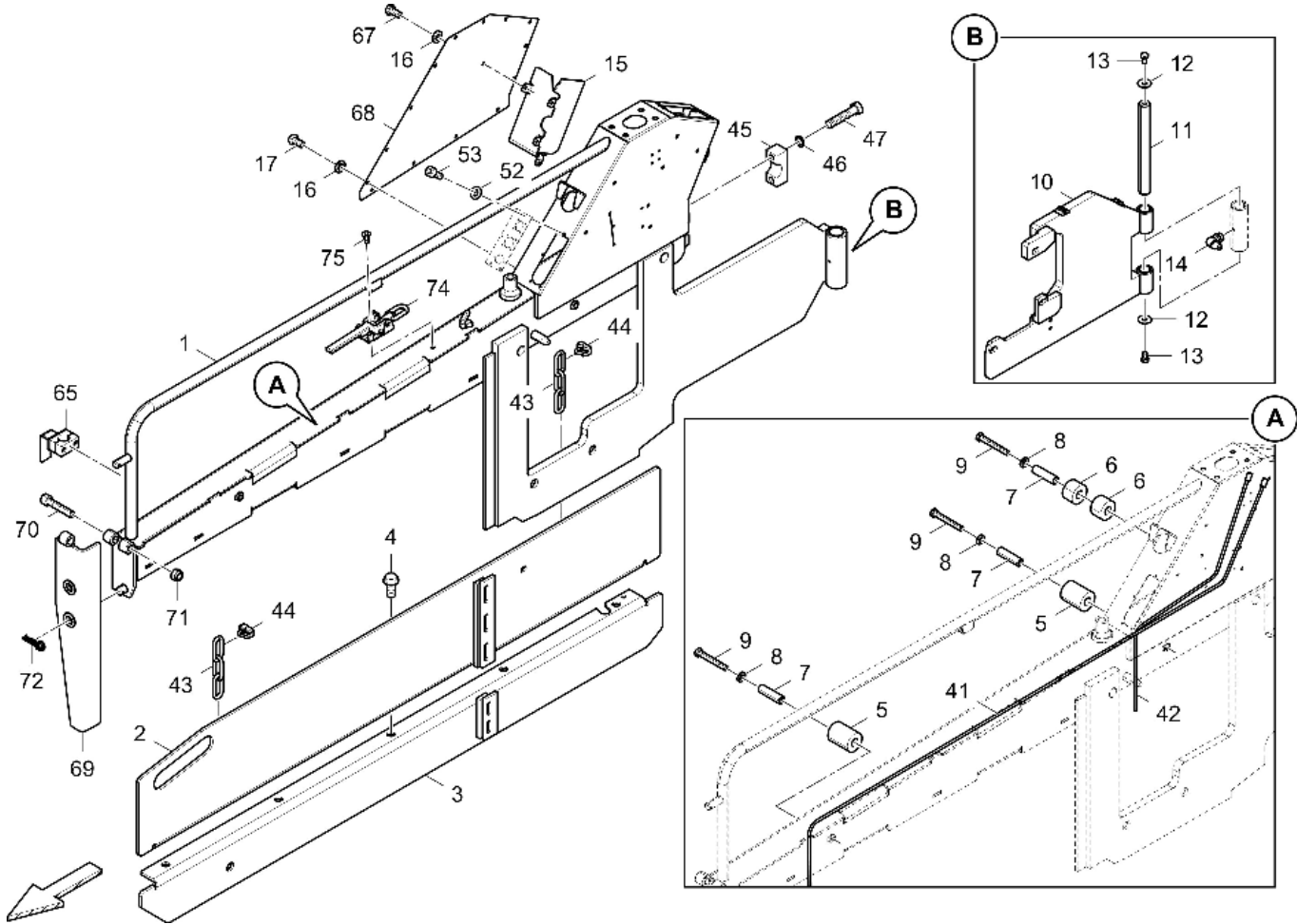
40-4812234693 End plate, l.h. & r.h. 40-4812234693 End plate, l.h. & r.h.



Refer to Parts Online for the most up to date information. The printed information might be outdated.

Wed Jun 08 07:26:28 UTC 2022

End plate, r.h. 40-4812234691 End plate, r.h.



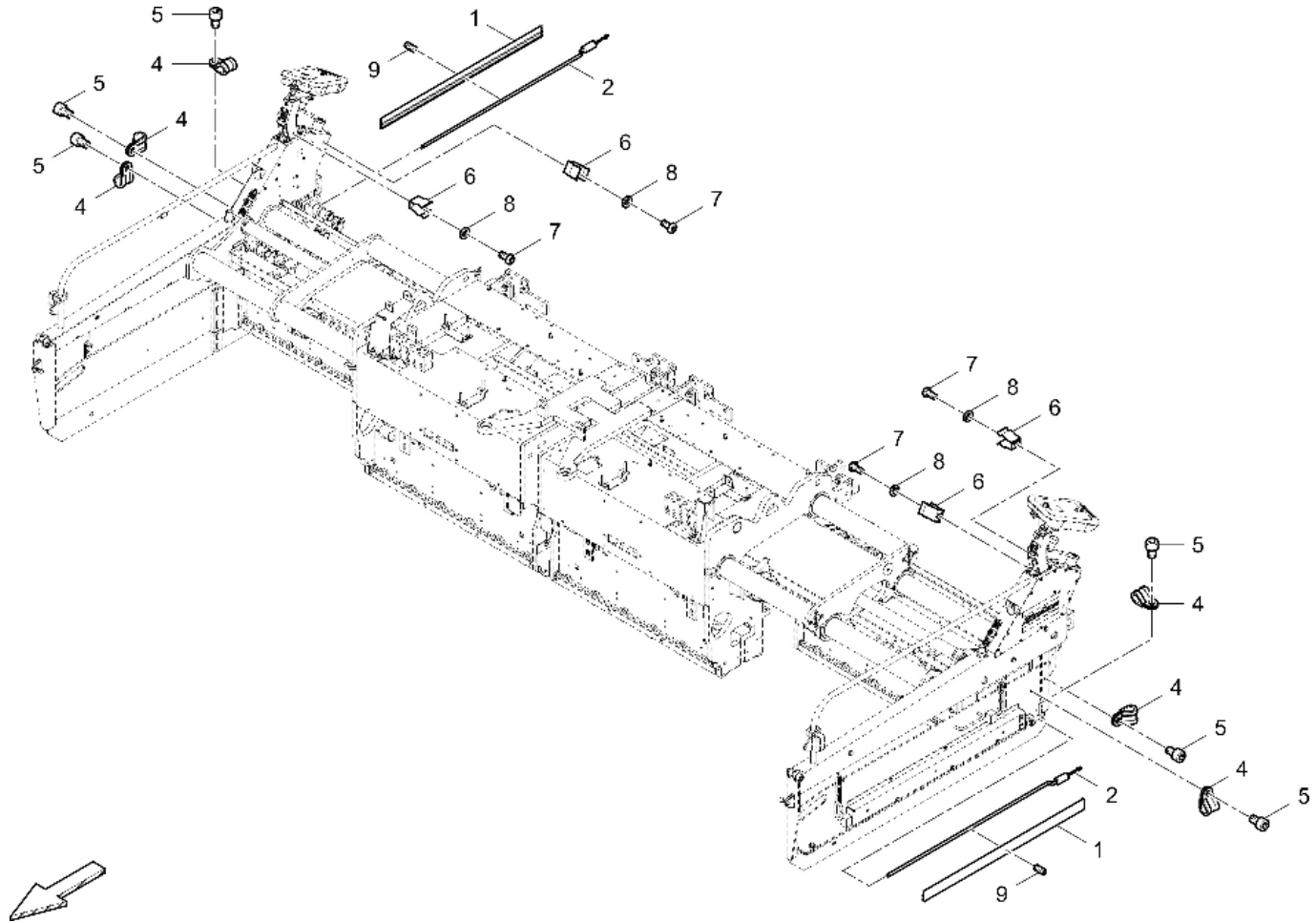
Refer to Parts Online for the most up to date information. The printed information might be outdated.

Wed Jun 08 07:26:31 UTC 2022

Item	Part No.	Name	Qty	L	C	SN INFO
18	40-D614161400	Crank handle	1			
19	40-4812017592	Shift fork	1			
20	40-4812231167	Roller	2			
21	40-4812014970	Pipe	3			
22	40-4812231168	Roller	2			
23	40-4812231374	Wire rope	1			
24	40-4812231370	Cable	1			
25	40-4812232926	Clamping plate	2			
26	40-4812232881	Cover plate	1			
27	40-4749900481	Cup spring	2			
28	40-5730007656	Hexagon nut	3			
29	40-0147136003	Screw cap	7			
30	40-0333310051	Lock washer	7			
31	40-D939786935	Screw	5			
32	40-0215000620	Flat headed screw	1			
33	40-4812231350	Fixture	1			
34	40-0333317507	Schnorr-lock washer	4			
35	40-0147141103	Hex. head screw M12 x 80	1			
37	40-4812231238	Shift dog	1			
38	40-4812231559	Cover	1			
40	40-5730008547	Eyebolt	1			
41	40-4749302381	Handle	1			
42	40-0301237800	Plain washer	4			
43	40-0337212100	Feather key	1			
44	40-0301231500	Plain washer	16			
45	40-4812216710	Screw	16			
46	40-D930177009	Pressure spring	1			
47	40-0215000621	Flat headed screw	25			
48	40-0147134003	Screw	1			
49	40-D930429155	Star grip screw	1			
50	40-0190124150	Set screw	1			
51	40-0333310043	Schnorr-lock washer	2			
52	40-0333310050	Lock washer	5			
53	40-0266211000	Hexagon nut	3			
54	40-0147120403	Screw	4			

Refer to Parts Online for the most up to date information. The printed information might be outdated.

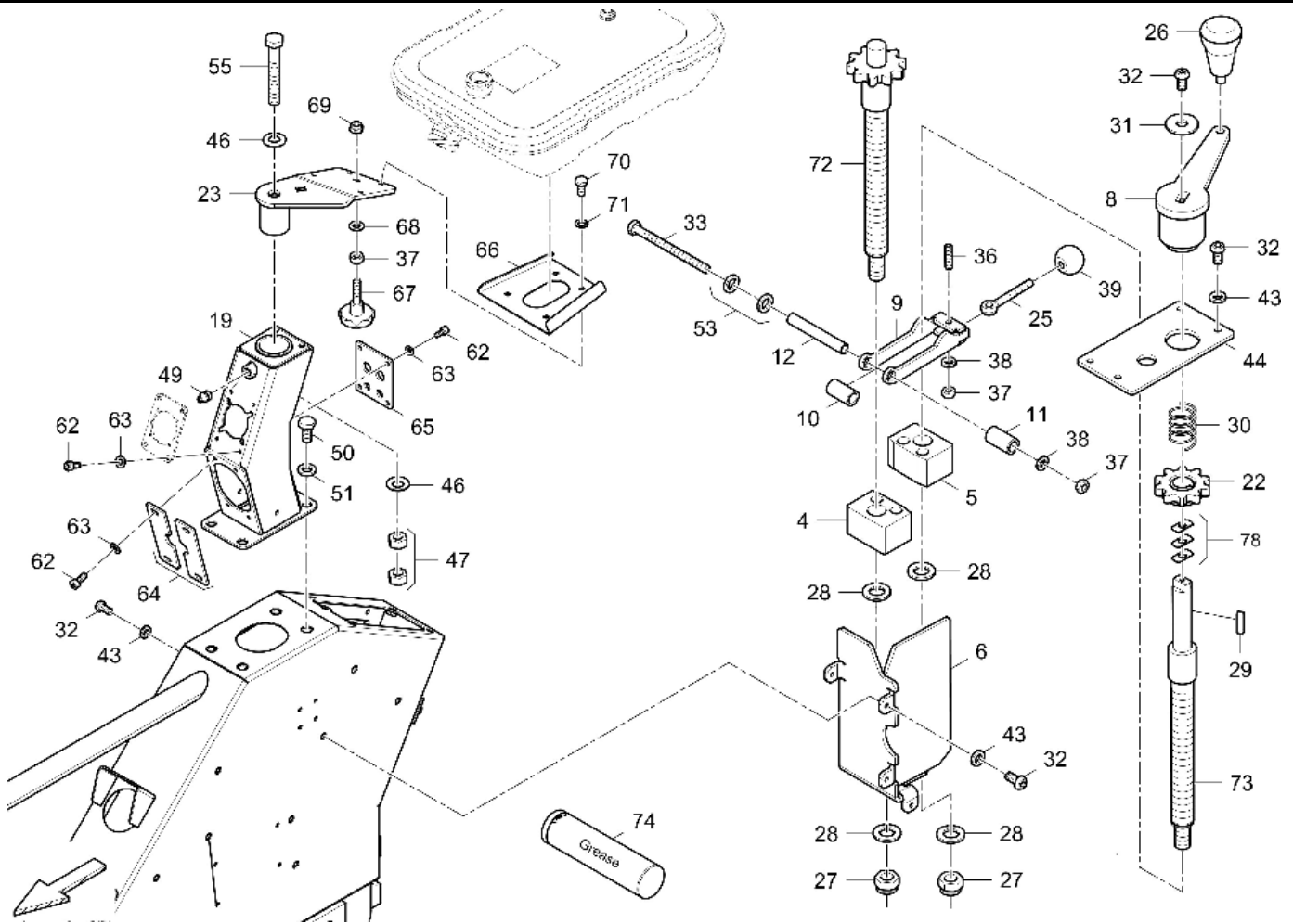
Wed Jun 08 07:26:35 UTC 2022

EI. heating 40-4812232196 EI. heating

Item	Part No.	Name	Qty	L	C	SN INFO
1	40-4812231347	Jam profile	2			
2	40-4812060499	Heating rod with connector	2			
4	40-D934362099	Pipe clamp	5			
5	40-0211132003	Screw	5			
6	40-4812009597	Clasp	4			
7	40-0215000621	Flat headed screw	4			
8	40-0333310055	Washer	4			
9	40-0190124139	Threaded pin	6			

Refer to Parts Online for the most up to date information. The printed information might be outdated.

Wed Jun 08 07:26:38 UTC 2022



Item	Part No.	Name	Qty	L	C	SN INFO
1	40-4812231352	End plate, r.h.	1			
4	40-4812231154	Spindle nut	1			
5	40-4812231155	Spindle nut	1			
6	40-4812232901	Support plate	1			
8	40-D614161400	Crank handle	1			
9	40-4812017592	Shift fork	1			
10	40-4812231165	Sleeve	1			
11	40-4812231338	Sleeve	1			
12	40-4812231326	Sleeve	1			
13	40-4812231167	Roller	2			
14	40-4812014970	Pipe	3			
15	40-4812231168	Roller	2			
16	40-4812231374	Wire rope	1			
17	40-4812231370	Cable	1			

Refer to Parts Online for the most up to date information. The printed information might be outdated.

Wed Jun 08 07:26:43 UTC 2022

Item	Part No.	Name	Qty	L	C	SN INFO
18	40-4812017592	Shift fork	1			
19	40-4812231167	Roller	2			
20	40-4812014970	Pipe	3			
21	40-4812231168	Roller	2			
22	40-4812231374	Wire rope	1			
23	40-4812231370	Cable	1			
24	40-4812232926	Clamping plate	2			
25	40-4812232881	Cover plate	1			
26	40-4749900481	Cup spring	2			
27	40-0147136003	Screw cap	4			
28	40-0333310051	Lock washer	4			
29	40-D939786935	Screw	5			
30	40-0215000621	Flat headed screw	25			
31	40-4812231350	Fixture	1			
32	40-0333310043	Schnorr-lock washer	2			
33	40-5730007656	Hexagon nut	3			
34	40-0147141103	Hex. head screw M12 x 80	1			
36	40-4812231238	Shift dog	1			
38	40-5730008547	Eyebolt	1			
39	40-4749302381	Handle	1			
40	40-0301237800	Plain washer	4			
41	40-0337212100	Feather key	1			
42	40-0301231500	Plain washer	16			
43	40-4812216710	Screw	16			
44	40-D930177009	Pressure spring	1			
45	40-0147134003	Screw	1			
46	40-D930429155	Star grip screw	1			
47	40-0190124150	Set screw	1			
48	40-0333317507	Schnorr-lock washer	4			
49	40-0333310050	Lock washer	2			
50	40-0266211000	Hexagon nut	3			
51	40-0291111000	Lock nut	1			
52	40-0300013040	Flat washer	1			
53	40-0147120403	Screw	4			
54	40-0333310052	Flat washer	3			

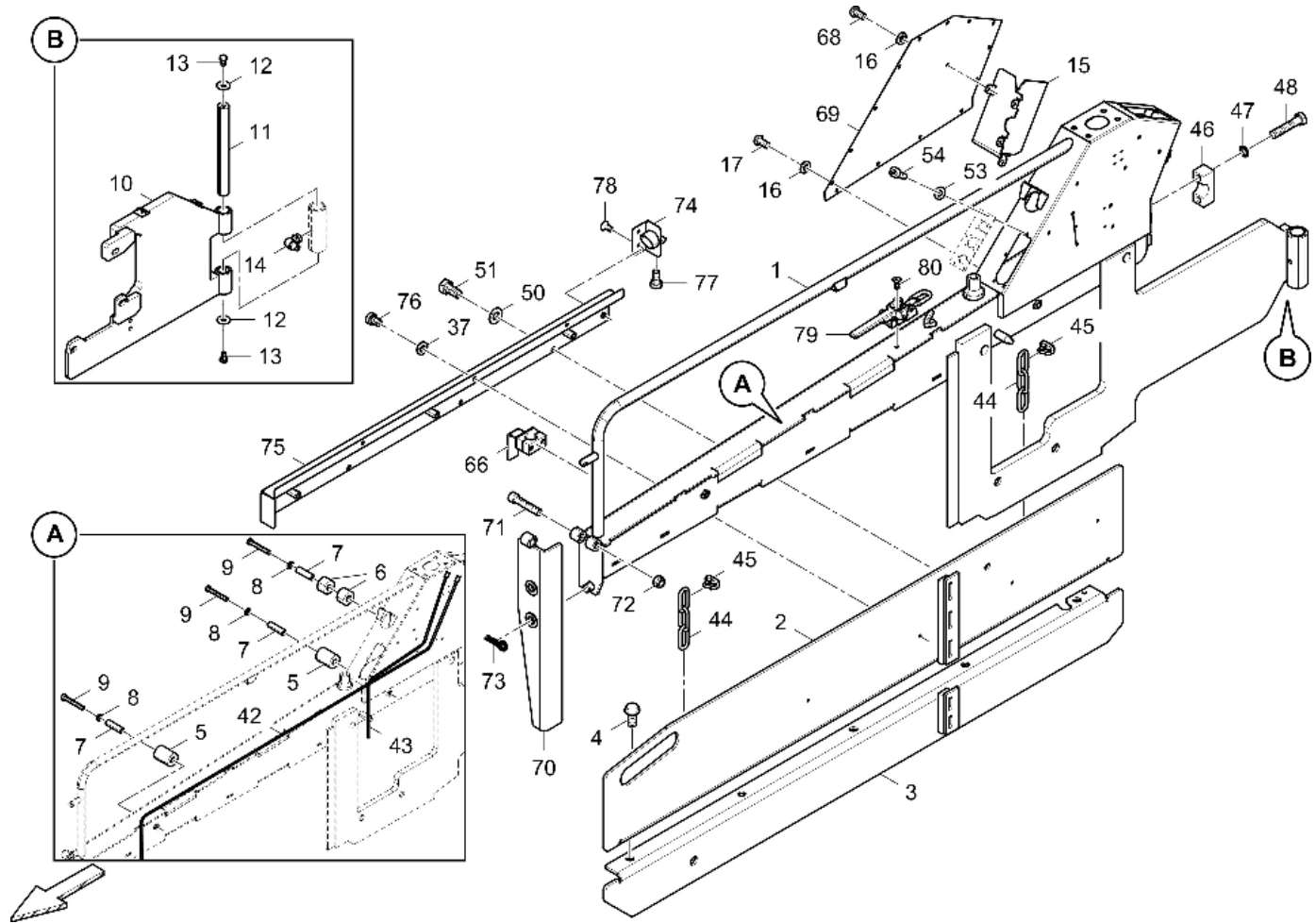
Refer to Parts Online for the most up to date information. The printed information might be outdated.

Wed Jun 08 07:26:46 UTC 2022

Referenced Pages

40-4812232196 El. heating689

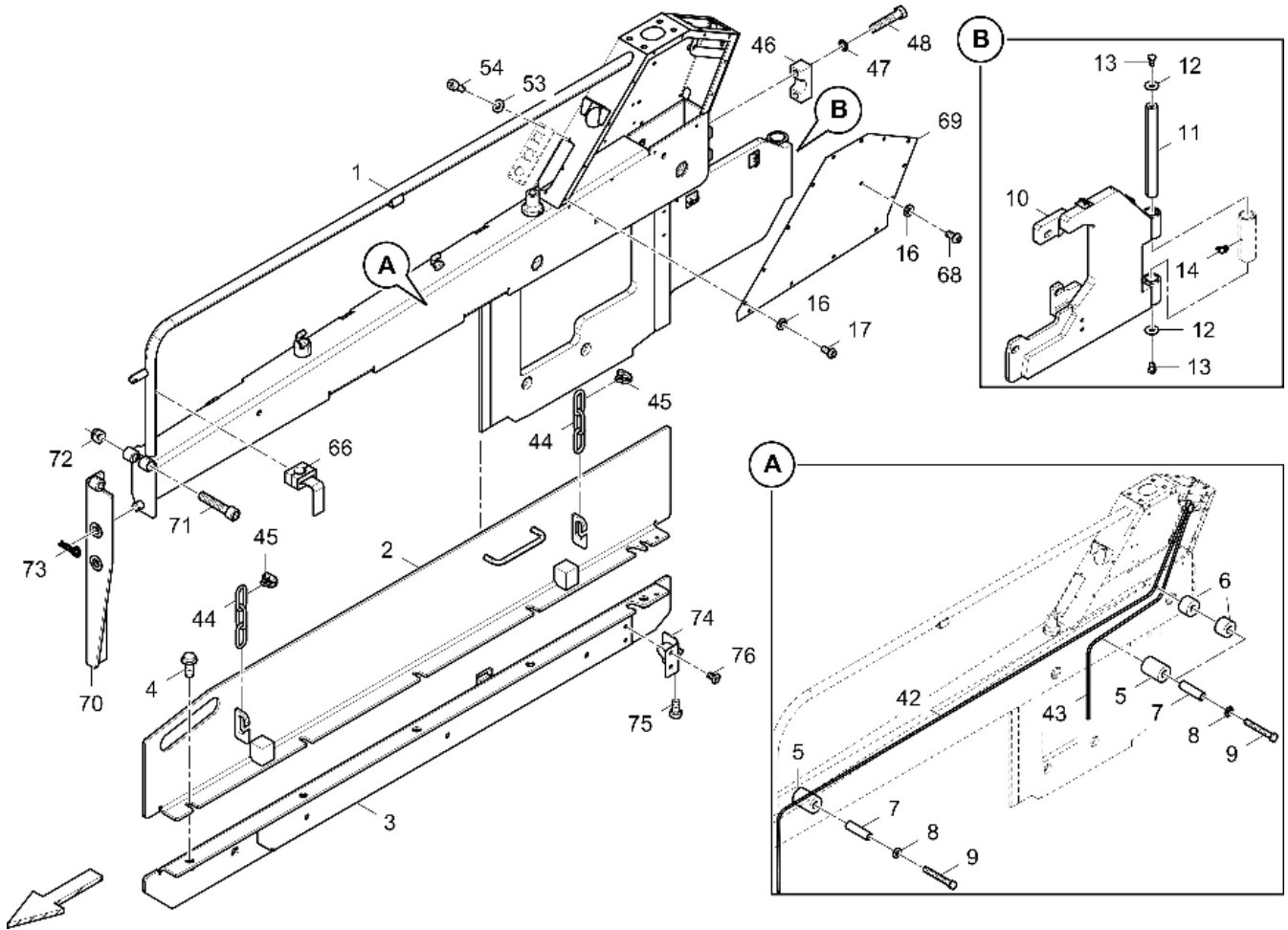
End plate, r.h. 40-4812235450 End plate, r.h.



Refer to Parts Online for the most up to date information. The printed information might be outdated.

Wed Jun 08 07:26:51 UTC 2022

End plate, l.h. 40-4812235444 End plate, l.h.



Refer to Parts Online for the most up to date information. The printed information might be outdated.

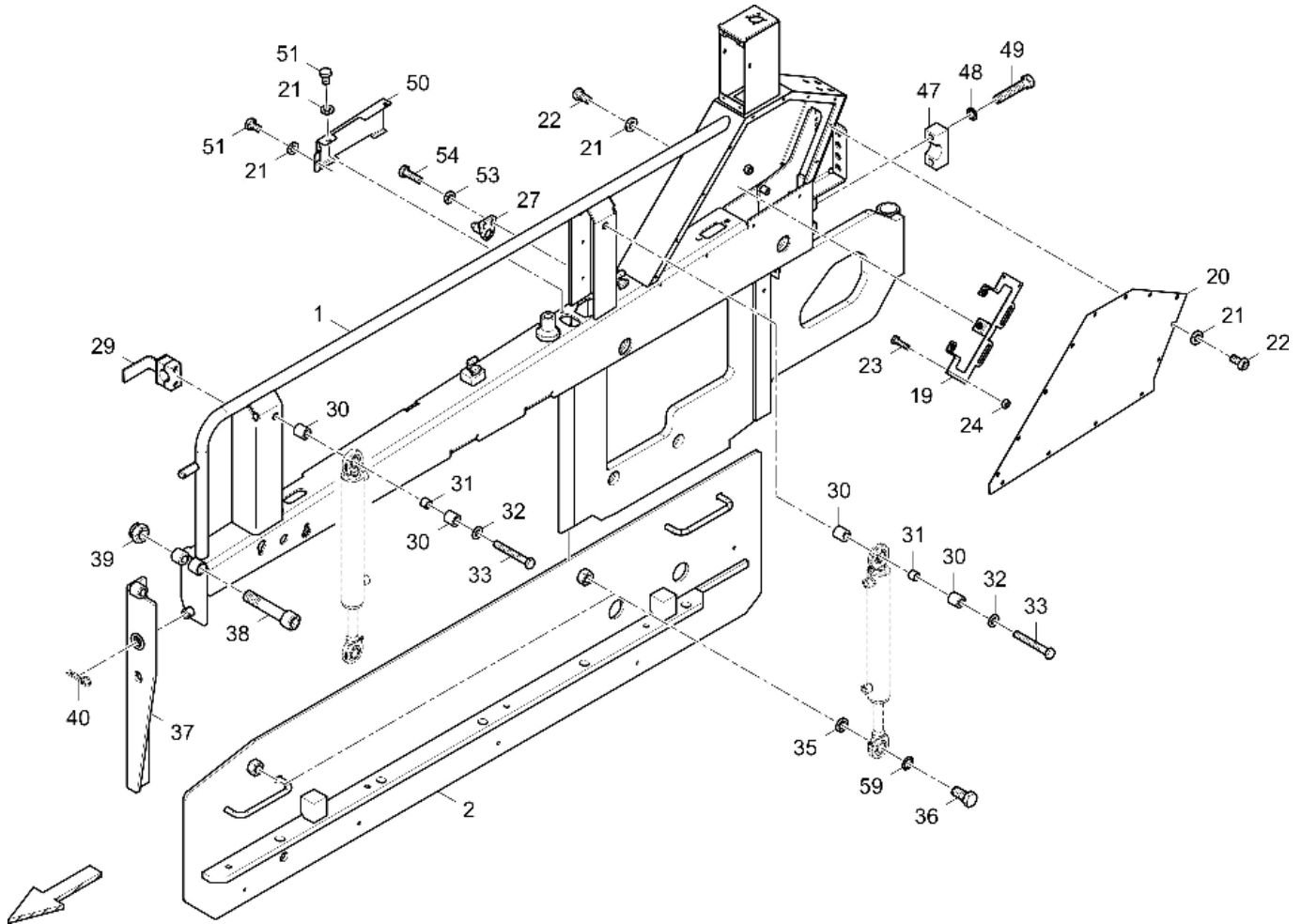
Wed Jun 08 07:26:55 UTC 2022

Referenced Pages

40-4812234680 Hinge, r.h.524

	Referenced Pages	
40-4812073830 Retainer		752
	Referenced Pages	
40-4812073067 Harness W25		440

End plate, l.h. 40-4812063434 End plate, l.h.



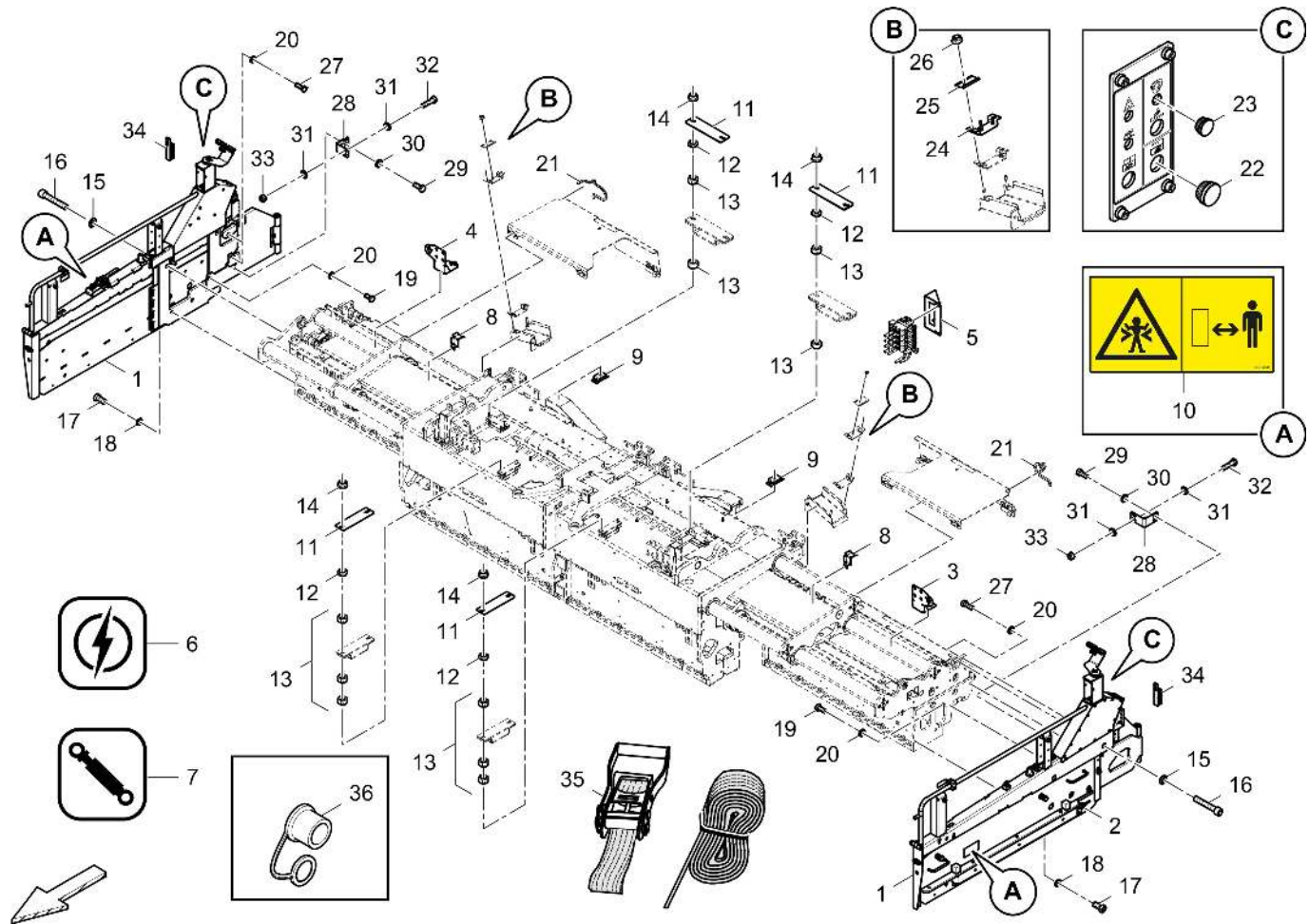
Refer to Parts Online for the most up to date information. The printed information might be outdated.

Wed Jun 08 07:27:05 UTC 2022

Referenced Pages

40-4812076664 Hydraulic, pre-assembly561

40-4812063558 Foldable hydr. end plate, el. heating, l.h. & r.h. 40-4812063558 Foldable hydr. end plate, el. heating, l.h. & r.h.

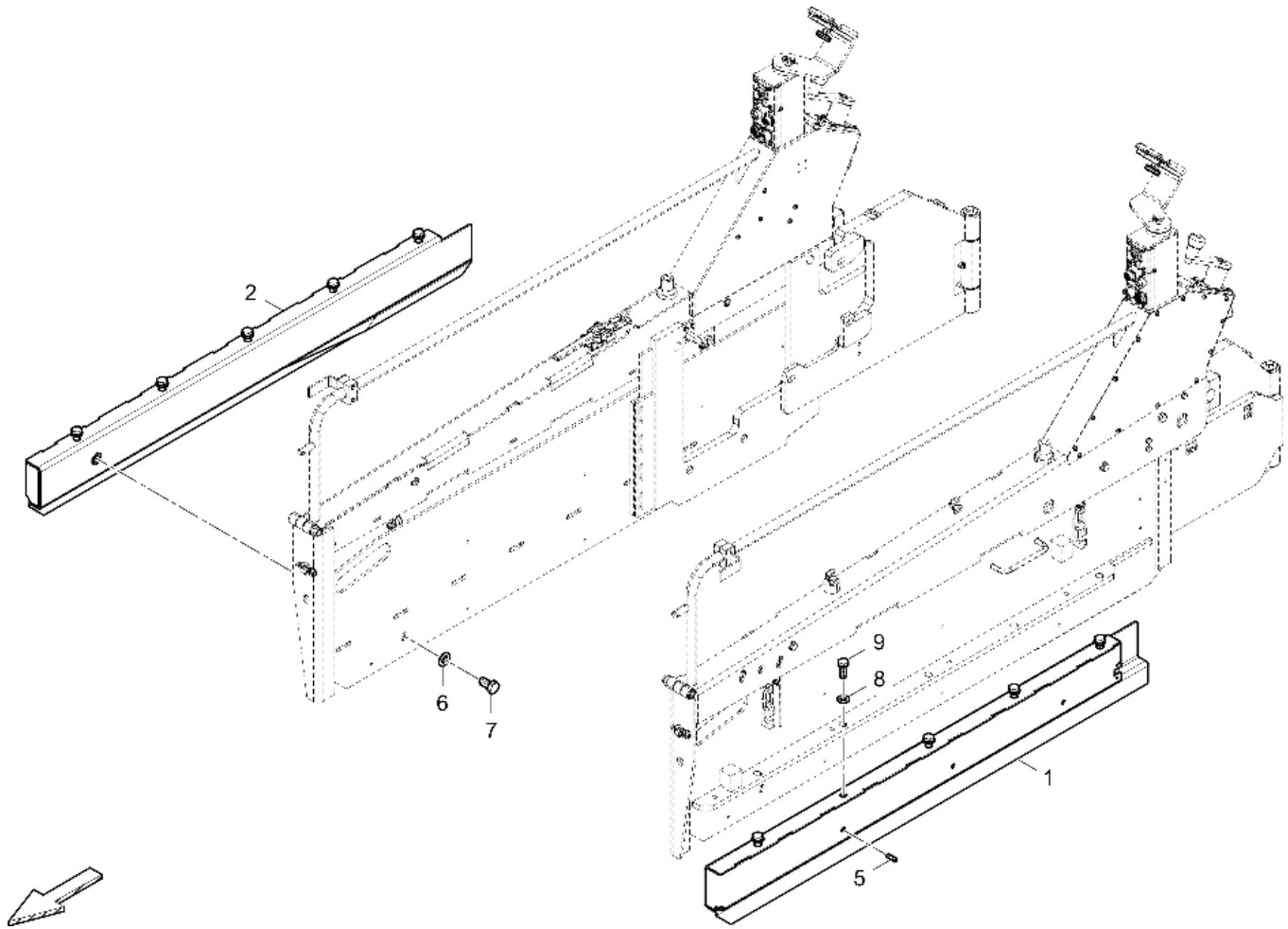


Item	Part No.	Name	Qty	L	C	SN INFO
1	40-4812063437	Foldable hydr. end plate	1			
2	40-4812063482	Electric, heating lower heated	1			
3	40-4812063871	Stiffening plate, l.h.	1			
4	40-4812063808	Stiffening plate, r.h.	1			
5	40-4812076664	Hydraulic, pre-assembly	1			
6	40-4812075631	Electric, foldable hydr. end plate	1			
7	40-4812075865	Hydraulic, side shields	1			
8	40-4812010756	Hose clamp	2			
9	40-4812010929	Suppression	2			
10	40-D956044900	Warning sign: Danger of violent pressure	2			
11	40-4812033554	Suppression	4			
12	40-0261211100	Hex.nut-M10	8			

Refer to Parts Online for the most up to date information. The printed information might be outdated.

Wed Jun 08 07:27:11 UTC 2022

	Referenced Pages	
40-4812076668 Control block		573
40-4812010450 Control block		572
	Referenced Pages	
40-4812075865 Hydraulic, side shields		781



Item	Part No.	Name	Qty	L	C	SN INFO
KIT	40-4812063282	Conversion kit, 60 mm / 60°	1			
1	40-4812074963	Edge compactor, l.h. 60 mm / 60°	1			
2	40-4812074966	Edge compactor, r.h. 60 mm / 60°	1			
KIT	40-4812063288	Conversion kit, 80 mm / 60°	1			
1	40-4812075002	Edge compactor, l.h. 80 mm / 60°	1			
2	40-4812075005	Edge compactor, r.h. 80 mm / 60°	1			
KIT	40-4812063290	Conversion kit, 80 mm / 45°	1			
1	40-4812075012	Edge compactor, l.h. 80 mm / 45°	1			
2	40-4812075016	Edge compactor, r.h. 80 mm / 45°	1			
KIT	40-4812063292	Conversion kit, 100 mm / 45°	1			
1	40-4812075035	Edge compactor, l.h. 100 mm / 45°	1			
2	40-4812075038	Edge compactor, r.h. 100 mm / 45°	1			
KIT	40-4812063281	Conversion kit, 40 mm / 45°	1			
1	40-4812074869	Edge compactor, l.h. 40 mm / 45°	1			

Refer to Parts Online for the most up to date information. The printed information might be outdated.

Wed Jun 08 07:27:17 UTC 2022

CLICK HERE TO **DOWNLOAD** THE COMPLETE MANUAL

- Thank you very much for reading the preview of the manual.
- You can download the complete manual from: www.heydownloads.com by clicking the link below



- Please note: If there is no response to **CLICKING** the link, please download this PDF first and then click on it.

CLICK HERE TO **DOWNLOAD** THE COMPLETE MANUAL