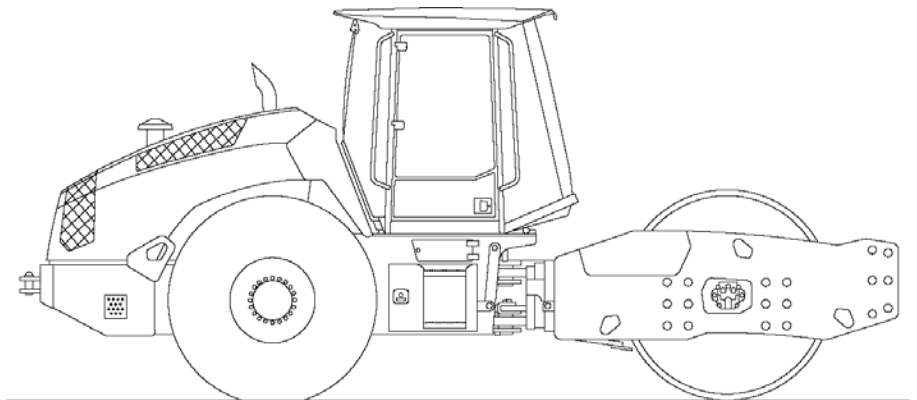


Spare parts catalogue  
Ersatzteilkatalog  
Catalogue de pièces détachées

**ARS 220**  
Deutz



CLICK HERE TO **DOWNLOAD** THE COMPLETE MANUAL

- Thank you very much for reading the preview of the manual.
- You can download the complete manual from: [www.heydownloads.com](http://www.heydownloads.com) by clicking the link below



- Please note: If there is no response to CLICKING the link, please download this PDF first and then click on it.

CLICK HERE TO **DOWNLOAD** THE COMPLETE MANUAL

|                    | <b>Description</b>          | <b>Bezeichnung</b>       | <b>Designation</b>               |
|--------------------|-----------------------------|--------------------------|----------------------------------|
| <b>002-059</b>     | Contact scraper             | Kontaktkratzer           | Racloir de contact               |
| <b>002-093</b>     | Final drive D               | Achsantrieb D            | Entraînement de l'essieu D       |
| <b>002-096</b>     | Final drive HT              | Achsantrieb HT           | Entraînement de l'essieu HT      |
| <b>003</b>         | <b>ARS220 03 Frame</b>      | <b>ARS220 03 Rahmen</b>  | <b>ARS220 03 Chassis</b>         |
| <b>003-051</b>     | Frame front                 | Rahmen vorne             | Cadre de devant                  |
| <b>003-063</b>     | Joint                       | Gelenk                   | Articulation                     |
| <b>003-066</b>     | Hose holder                 | Schlauchhalter           | Support d'accouplement           |
| <b>003-070</b>     | Frame rear                  | Rahmen hinten            | Cadre de arrière                 |
| <b>003-090</b>     | Tank cap                    | Tankverschluss           | Obturateur du réservoir          |
| <b>003-460</b>     | Stairs                      | Treppe                   | Escalier                         |
| <b>003-462</b>     | Right rear footrest         | Rechte hintere Fußstütze | Repose-pieds arrière droit       |
| <b>003-463</b>     | Battery box                 | Batteriekasten           | Caisson de batterie              |
| <b>003-467</b>     | Wheel hydraulic motor cover | Radhydromotorabdeckung   | Cache de l'hydromoteur des roues |
| <b>003-471</b>     | Thermal barrier             | Wärmeblende              | Écran thermique                  |
| <b>003-473</b>     | Fuel tanks accessories      | Kraftstofftanks Zubehör  | Accessoires Réservoirs à carbur. |
| <b>003-474</b>     | Fuel tank filter            | Tanksieb                 | Tamis de réservoir               |
| <b>003-476</b>     | Rear towing hitch           | Hintere Anhängerkupplung | Remorquage attelage arrière      |
| <b>003-483</b>     | Door l.h.                   | Tür links                | Porte gauche                     |
| <b>003-484</b>     | Door r.h.                   | Tür rechts               | Porte droite                     |
| <b>003-487</b>     | Joint lock                  | Gelenksicherung          | Bague d'arrêt d'articulation     |
| <b>003-585</b>     | Running board               | Stufe                    | Marchepied                       |
| <b>004</b>         | <b>ARS220 04 Cab</b>        | <b>ARS220 04 Kabine</b>  | <b>ARS220 04 Cabine</b>          |
| <b>004-150</b>     | Operator platform complete  | Plattform komplett       | Poste de conduite complète       |
| <b>004-151</b>     | Accessories platform        | Anbauteile Plattform     | Accessoires Platform             |
| <b>004-151-004</b> | Cover electrical            | Abdeckung elektrische    | Couvrir électrique               |
| <b>004-151-006</b> | Cover complete              | Abdeckkappenset          | Ensemble de couvercle            |
| <b>004-151-014</b> | Spray water tank            | Spritzwasserbehälter     | Réservoir d'eau de pulvérisation |
| <b>004-156</b>     | Operator stand              | Fahrerstand              | Poste de conduite                |
| <b>004-156-001</b> | Armrest right               | Armlehne rechts          | Accoudoir droit                  |
| <b>004-160</b>     | Cab                         | Kabine                   | Cabine                           |
| <b>004-162</b>     | Cab part A                  | Kabine Teil A            | Cabine partie A                  |

| Pos | Article      | Qty. | Unit | Description        | Bezeichnung   | Designation           | Note |
|-----|--------------|------|------|--------------------|---------------|-----------------------|------|
| 0   | 4-20353      | 1    | ST   | Diesel engine      | Dieselmotor   | Moteur diesel         |      |
| 1   | 4-1400133    | 1    | ST   | Diesel engine      | Dieselmotor   | Moteur diesel         |      |
| 10  | 4-21179      | 1    | ST   | Plate              | Blech         | Tôle                  |      |
| 11  | 4-21178      | 1    | ST   | Plate              | Blech         | Tôle                  |      |
| 12  | 4-21182      | 2    | ST   | Plate              | Blech         | Tôle                  |      |
| 13  | 4-21181      | 1    | ST   | Bracket            | Konsole       | Console               |      |
| 14  | 4-21180      | 1    | ST   | Bracket            | Konsole       | Console               |      |
| 15  | 4-21177      | 1    | ST   | Bracket            | Konsole       | Console               |      |
| 16  | 4-21176      | 1    | ST   | Bracket            | Konsole       | Console               |      |
| 21  | 4-24115      | 1    | ST   | Cover              | Abdeckung     | Couvercle             |      |
| 38  | 1304855      | 6    | ST   | Intermediate piece | Zwischenstück | Pièce intermédiaire   |      |
| 39  | 1304856      | 6    | ST   | Washer             | U-Scheibe     | Rondelle              |      |
| 90  | 4-3002508014 | 5    | ST   | Hexagon head screw | 6kt-Schraube  | Vis à tête hexagonale |      |
| 100 | 4-3001512120 | 6    | ST   | Hexagon head screw | 6kt-Schraube  | Vis à tête hexagonale |      |
| 101 | 4-3002516030 | 8    | ST   | Hexagon head screw | 6kt-Schraube  | Vis à tête hexagonale |      |
| 102 | 4-3002516035 | 4    | ST   | Hexagon head screw | 6kt-Schraube  | Vis à tête hexagonale |      |
| 103 | 4-3002516050 | 4    | ST   | Hexagon head screw | 6kt-Schraube  | Vis à tête hexagonale |      |
| 104 | 4-3002516055 | 4    | ST   | Hexagon head screw | 6kt-Schraube  | Vis à tête hexagonale |      |
| 113 | 4-3048500120 | 6    | ST   | Hexagon nut        | 6kt-Mutter    | Écrou hexagonal       |      |
| 114 | 4-3048500160 | 8    | ST   | Hexagon nut        | 6kt-Mutter    | Écrou hexagonal       |      |
| 123 | 4-3900017080 | 7    | ST   | Spring washer      | Federscheibe  | Rondelle élastique    |      |
| 127 | 4-3679600130 | 6    | ST   | Strain washer      | Spannscheibe  | Rondelle élastique    |      |
| 128 | 4-3679600170 | 24   | ST   | Strain washer      | Spannscheibe  | Rondelle élastique    |      |
| 129 | 4-3900017160 | 20   | ST   | Spring washer      | Federscheibe  | Rondelle élastique    |      |
| 146 | 4-6120070106 | 0.8  | M    | Adhesive tape      | Klebeband     | Bande adhésive        |      |

| Pos | Article      | Qty. | Unit | Description       | Bezeichnung         | Designation          | Note |
|-----|--------------|------|------|-------------------|---------------------|----------------------|------|
| 0   | 4-22035      | 1    | ST   | Discharge         | Auslauf             | Sortie               |      |
| 1   | 4-23662      | 1    | ST   | Connector         | Stutzen             | Tubulure             |      |
| 4   | 4-5160573693 | 1    | ST   | Hydr hose         | H-Schlauch          | Conduite hydraulique |      |
| 7   | 4-5160670139 | 1    | ST   | Bulkhead coupling | Schottverschraubung | Raccord Schott       |      |
| 10  | 4-9540000012 | 1    | ST   | Sealing plug      | Verschlussstopfen   | Bouchon de fermeture |      |

**001-131**

| Pos | Article      | Qty. | Unit | Description        | Bezeichnung         | Designation          | Note |
|-----|--------------|------|------|--------------------|---------------------|----------------------|------|
| 0   | 4-22036      | 1    | ST   | Discharge          | Auslauf             | Sortie               |      |
| 1   | 4-5160570282 | 1    | ST   | Hydr hose          | H-Schlauch          | Conduite hydraulique |      |
| 2   | 4-5160650064 | 1    | ST   | Screwed connection | Verschraubung       | Raccord vissé        |      |
| 3   | 4-5160680042 | 1    | ST   | Bulkhead coupling  | Schottverschraubung | Raccord Schott       |      |
| 4   | 4-5160670120 | 1    | ST   | Sealing plug       | Verschlussstopfen   | Bouchon de fermeture |      |

| Pos | Article      | Qty. | Unit | Description        | Bezeichnung       | Designation                | Note |
|-----|--------------|------|------|--------------------|-------------------|----------------------------|------|
| 0   | 4-20355      | 1    | ST   | Linkage            | Anlenkung         | Articulation               |      |
| 1   | 4-25480      | 1    | ST   | Plate              | Blech             | Tôle                       |      |
| 4   | 4-437968     | 1    | ST   | Clamping device    | Klemmvorrichtung  | Dispositif de serrage      |      |
| 5   | 4-25276      | 1    | ST   | Holder             | Halter            | Support de caisson         |      |
| 8   | 4-9200000201 | 1    | ST   | Valve              | Ventil            | Soupape                    |      |
| 9   | 1300428      | 1    | ST   | Control            | Steuerung         | Commande                   |      |
| 10  | 1300441      | 1    | ST   | Wire cable         | Drahtseil         | Câble métallique           |      |
| 13  | 4-5531020071 | 10   | ST   | Hose clamp         | Schlauchklemme    | Bride pour conduite souple |      |
| 14  | 1304712      | 1    | ST   | Hose clamp         | Schlauchklemme    | Bride pour conduite souple |      |
| 15  | 4-5160572079 | 1    | ST   | Hose clip          | Schlauchschelle   | Bride pour tuyaux          |      |
| 16  | 4-5358050045 | 3    | ST   | Sleeve             | Muffe             | Manchon                    |      |
| 17  | 4-5358050047 | 3    | ST   | Cap                | Kappe             | Capuchon                   |      |
| 20  | 4-5160650157 | 2    | ST   | Screwed connection | Verschraubung     | Raccord vissé              |      |
| 21  | 1300842      | 1    | ST   | Terminal           | Terminal          | Terminal                   |      |
| 22  | 1300741      | 1    | ST   | Terminal           | Terminal          | Terminal                   |      |
| 23  | 4-5160670034 | 1    | ST   | Sealing plug       | Verschlussstopfen | Bouchon de fermeture       |      |
| 26  | 4-27154      | 1    | ST   | Hose               | Schlauch          | Tuyau                      |      |
| 28  | 4-26751      | 1    | ST   | Hose               | Schlauch          | Tuyau                      |      |
| 29  | 4-26752      | 1    | ST   | Hose               | Schlauch          | Tuyau                      |      |
| 30  | 4-26840      | 1    | ST   | Manifold           | Krümmen           | Tube coudé                 |      |
| 33  | 4-3110304010 | 1    | ST   | Hexagon head screw | 6kt-Schraube      | Vis à tête hexagonale      |      |
| 34  | 4-3002505012 | 2    | ST   | Hexagon head screw | 6kt-Schraube      | Vis à tête hexagonale      |      |
| 35  | 4-3002506020 | 1    | ST   | Hexagon head screw | 6kt-Schraube      | Vis à tête hexagonale      |      |
| 36  | 4-3002508016 | 2    | ST   | Hexagon head screw | 6kt-Schraube      | Vis à tête hexagonale      |      |
| 37  | 4-3002508020 | 1    | ST   | Hexagon head screw | 6kt-Schraube      | Vis à tête hexagonale      |      |
| 38  | 4-3001508045 | 2    | ST   | Hexagon head screw | 6kt-Schraube      | Vis à tête hexagonale      |      |
| 39  | 4-3001508060 | 1    | ST   | Hexagon head screw | 6kt-Schraube      | Vis à tête hexagonale      |      |
| 40  | 4-3123203065 | 1    | ST   | Plate screw        | Blechschrabe      | Vis à tôle                 |      |
| 43  | 4-3140100040 | 1    | ST   | Hexagon nut        | 6kt-Mutter        | Écrou hexagonal            |      |
| 44  | 4-3048500060 | 1    | ST   | Hexagon nut        | 6kt-Mutter        | Écrou hexagonal            |      |
| 45  | 4-3048500080 | 1    | ST   | Hexagon nut        | 6kt-Mutter        | Écrou hexagonal            |      |
| 48  | 4-3170200053 | 2    | ST   | Washer             | U-Scheibe         | Rondelle                   |      |
| 49  | 4-3900017050 | 2    | ST   | Spring washer      | Federscheibe      | Rondelle élastique         |      |
| 50  | 4-3679600060 | 1    | ST   | Strain washer      | Spannscheibe      | Rondelle élastique         |      |
| 51  | 4-3900017060 | 1    | ST   | Spring washer      | Federscheibe      | Rondelle élastique         |      |
| 52  | 4-3679600080 | 1    | ST   | Strain washer      | Spannscheibe      | Rondelle élastique         |      |
| 53  | 4-3900017080 | 3    | ST   | Spring washer      | Federscheibe      | Rondelle élastique         |      |

| Pos | Article      | Qty. | Unit | Description           | Bezeichnung       | Designation            | Note |
|-----|--------------|------|------|-----------------------|-------------------|------------------------|------|
| 0   | 4-19214      | 1    | ST   | Drive                 | Antrieb           | Entraînement           |      |
| 1   | 4-19215      | 1    | ST   | Plate                 | Platte            | Plaque                 |      |
| 2   | 4-25194      | 3    | ST   | Yoke                  | Joch              | Joug                   |      |
| 3   | 4-27317      | 1    | ST   | Fluid motor           | Hydraulikmotor    | Moteur hydraulique     |      |
| 4   | 4-19218      | 1    | ST   | Plate                 | Platte            | Plaque                 |      |
| 5   | 4-19249      | 1    | ST   | Bracket               | Konsole           | Console                |      |
| 6   | 4-19250      | 1    | ST   | Bracket               | Konsole           | Console                |      |
| 7   | 4-21206      | 1    | ST   | Shaft                 | Welle             | Arbre                  |      |
| 8   | 4-434786     | 1    | ST   | Nut                   | Mutter            | Ecrou                  |      |
| 9   | 4-311814     | 1    | ST   | Ring                  | Ring              | Bague                  |      |
| 10  | 4-27232      | 2    | ST   | Washer                | U-Scheibe         | Rondelle               |      |
| 15  | 4-5353080052 | 1    | ST   | Venting valve         | Entlüftungsventil | Soupape de purge       |      |
| 17  | 1238095      | 1    | ST   | Sensor                | Sensor            | Détecteur              |      |
| 18  | 4-5535010048 | 2    | ST   | Circlip               | Sicherungsring    | Circlip                |      |
| 19  | 4-6090010409 | 3    | ST   | Sealing ring          | Dichtring         | Bague d'étanchéité     |      |
| 20  | 4-6160141004 | 1    | ST   | Ring                  | Ring              | Bague                  |      |
| 21  | 4-6160141005 | 1    | ST   | Ring                  | Ring              | Bague                  |      |
| 24  | 4-3002512040 | 12   | ST   | Hexagon head screw    | 6kt-Schraube      | Vis à tête hexagonale  |      |
| 25  | 4-3001512050 | 12   | ST   | Hexagon head screw    | 6kt-Schraube      | Vis à tête hexagonale  |      |
| 26  | 4-3001512060 | 12   | ST   | Hexagon head screw    | 6kt-Schraube      | Vis à tête hexagonale  |      |
| 27  | 4-3001516065 | 18   | ST   | Hexagon head screw    | 6kt-Schraube      | Vis à tête hexagonale  |      |
| 28  | 4-3002520060 | 2    | ST   | Hexagon head screw    | 6kt-Schraube      | Vis à tête hexagonale  |      |
| 29  | 4-3001524090 | 8    | ST   | Hexagon head screw    | 6kt-Schraube      | Vis à tête hexagonale  |      |
| 30  | 4-3114316030 | 3    | ST   | Socket head cap screw | Zyl-Schraube      | Vis à tête cylindrique |      |
| 31  | 4-3600014040 | 4    | ST   | Hexagon head screw    | 6kt-Schraube      | Vis à tête hexagonale  |      |
| 33  | 4-3530020120 | 36   | ST   | Nut                   | Mutter            | Ecrou                  |      |
| 34  | J902217      | 18   | ST   | Hexagon nut           | 6kt-Mutter        | Écrou hexagonal        |      |
| 35  | 4-3048500240 | 8    | ST   | Hexagon nut           | 6kt-Mutter        | Écrou hexagonal        |      |
| 36  | 4-3170600130 | 60   | ST   | Washer                | U-Scheibe         | Rondelle               |      |
| 37  | 4-3679600170 | 18   | ST   | Strain washer         | Spannscheibe      | Rondelle élastique     |      |
| 38  | 4-3679600210 | 2    | ST   | Strain washer         | Spannscheibe      | Rondelle élastique     |      |
| 39  | 4-3679600240 | 16   | ST   | Strain washer         | Spannscheibe      | Rondelle élastique     |      |
| 40  | 4-3900017200 | 8    | ST   | Spring washer         | Federscheibe      | Rondelle élastique     |      |
| 41  | 4-3900017240 | 8    | ST   | Spring washer         | Federscheibe      | Rondelle élastique     |      |
| 46  | 4-5462110043 | 1    | ST   | Nut                   | Mutter            | Ecrou                  |      |

| Pos | Article      | Qty. | Unit | Description        | Bezeichnung  | Designation           | Note |
|-----|--------------|------|------|--------------------|--------------|-----------------------|------|
| 0   | 4-21820      | 1    | ST   | Drive              | Antrieb      | Entraînement          |      |
| 1   | 4-19240      | 1    | ST   | Bracket            | Konsole      | Console               |      |
| 2   | 4-25191      | 5    | ST   | Yoke               | Joch         | Joug                  |      |
| 4   | 4-19222      | 1    | ST   | Driver             | Mitnehmer    | Toc d'entraînement    |      |
| 5   | 4-20749      | 1    | ST   | Cover              | Abdeckung    | Couvercle             |      |
| 8   | 1300739      | 1    | ST   | Gear               | Getriebe     | Engrenage             |      |
| 11  | 4-3002512025 | 1    | ST   | Hexagon head screw | 6kt-Schraube | Vis à tête hexagonale |      |
| 12  | 4-3002512050 | 2    | ST   | Hexagon head screw | 6kt-Schraube | Vis à tête hexagonale |      |
| 13  | 4-3002516050 | 20   | ST   | Hexagon head screw | 6kt-Schraube | Vis à tête hexagonale |      |
| 14  | 4-3002516055 | 20   | ST   | Hexagon head screw | 6kt-Schraube | Vis à tête hexagonale |      |
| 15  | 4-3001516065 | 50   | ST   | Hexagon head screw | 6kt-Schraube | Vis à tête hexagonale |      |
| 16  | 4-3001520060 | 24   | ST   | Hexagon head screw | 6kt-Schraube | Vis à tête hexagonale |      |
| 17  | 4-3001520065 | 20   | ST   | Hexagon head screw | 6kt-Schraube | Vis à tête hexagonale |      |
| 21  | J902217      | 90   | ST   | Hexagon nut        | 6kt-Mutter   | Écrou hexagonal       |      |
| 23  | 4-3048500120 | 2    | ST   | Hexagon nut        | 6kt-Mutter   | Écrou hexagonal       |      |
| 26  | 4-3679600130 | 3    | ST   | Strain washer      | Spannscheibe | Rondelle élastique    |      |
| 27  | 4-3679600170 | 30   | ST   | Strain washer      | Spannscheibe | Rondelle élastique    |      |
| 29  | 4-3900017120 | 3    | ST   | Spring washer      | Federscheibe | Rondelle élastique    |      |
| 30  | 4-3900017200 | 44   | ST   | Spring washer      | Federscheibe | Rondelle élastique    |      |
| 32  | 4-3170600170 | 100  | ST   | Washer             | U-Scheibe    | Rondelle              |      |

| Pos | Article      | Qty. | Unit | Description        | Bezeichnung  | Designation           | Note |
|-----|--------------|------|------|--------------------|--------------|-----------------------|------|
| 0   | 4-22043      | 1    | ST   | Assembly           | Montage      | Montage               |      |
| 1   | 4-22076      | 2    | ST   | Wheel              | Rad          | Roue                  |      |
| 3   | 4-6160150399 | 2    | ST   | Tyre               | Reifen       | Pneu                  |      |
| 5   | 4-3002516060 | 40   | ST   | Hexagon head screw | 6kt-Schraube | Vis à tête hexagonale |      |
| 7   | 4-3900017160 | 40   | ST   | Spring washer      | Federscheibe | Rondelle élastique    |      |
| 12  | 4-6531013760 | 2    | ST   | Plate              | Schild       | Enseigne              |      |

| Pos  | Article      | Qty. | Unit | Description        | Bezeichnung    | Designation                 | Note |
|------|--------------|------|------|--------------------|----------------|-----------------------------|------|
| 0    | 4-19366      | 1    | ST   | Drive              | Antrieb        | Entraînement                |      |
| 1    | 1281112      | 2    | ST   | Gear               | Getriebe       | Engrenage                   |      |
| 1.01 | 1321909      | 1    | ST   | Sealing kit        | Dichtsatz      | Lot d'étanchéité            |      |
| 4    | 1290954      | 2    | ST   | Fluid motor        | Hydraulikmotor | Moteur hydraulique          |      |
| 4.01 | 1255251      | 1    | ST   | Solenoid valve     | Magnetventil   | Vanne magnétique            |      |
| 4.02 | 1255252      | 1    | ST   | Magnetic coil      | Magnetspule    | Bobine magnétique           |      |
| 4.03 | 1321833      | 1    | ST   | O-ring             | O-Ring         | Anneau torique d'étanchéité |      |
| 4.04 | 1296887      | 1    | ST   | O-ring             | O-Ring         | Anneau torique d'étanchéité |      |
| 4.05 | 1321834      | 1    | ST   | Removable cap      | Abdeckkappe    | Capot                       |      |
| 4.06 | 4-SD085043   | 1    | ST   | O-ring             | O-Ring         | Anneau torique d'étanchéité |      |
| 7    | 4-3001520060 | 40   | ST   | Hexagon head screw | 6kt-Schraube   | Vis à tête hexagonale       |      |
| 10   | 4-3900017160 | 4    | ST   | Spring washer      | Federscheibe   | Rondelle élastique          |      |
| 11   | 4-3900017200 | 40   | ST   | Spring washer      | Federscheibe   | Rondelle élastique          |      |

ARS 220

**003-066**

Hose holder  
Schlauchhalter  
Support d'accouplement

4-S24403

**AMMANN**

---

| Pos | Article | Qty. | Unit | Description | Bezeichnung | Designation        | Note |
|-----|---------|------|------|-------------|-------------|--------------------|------|
| 0   | 4-24403 | 1    | ST   | Holder      | Halter      | Support de caisson |      |

---

| Pos | Article      | Qty. | Unit | Description        | Bezeichnung  | Designation           | Note |
|-----|--------------|------|------|--------------------|--------------|-----------------------|------|
| 0   | 4-19718      | 1    | ST   | Panel              | Schrank      | Armoire               |      |
| 1   | 4-19938      | 1    | ST   | Housing            | Gehäuse      | Carter                |      |
| 2   | 4-19941      | 1    | ST   | Cover              | Deckel       | Couvercle             |      |
| 3   | 4-19951      | 2    | ST   | Holder             | Halter       | Support de caisson    |      |
| 4   | 4-443515     | 2    | ST   | Hinge              | Scharnier    | Charnière             |      |
| 6   | 4-19949      | 2    | ST   | Bolt               | Bolzen       | Boulon                |      |
| 7   | 4-19950      | 4    | ST   | Pull rod           | Zugstange    | Boulon tirant         |      |
| 8   | 4-324452     | 1    | ST   | Plate              | Blech        | Tôle                  |      |
| 9   | 4-27081      | 1    | ST   | Rod                | Stange       | Barre                 |      |
| 10  | 4-443532     | 2    | ST   | Plate              | Blech        | Tôle                  |      |
| 11  | 4-443533     | 2    | ST   | Limit stop         | Anschlag     | Butée                 |      |
| 13  | 4-5358010063 | 1    | ST   | Lock               | Schloss      | Serrure               |      |
| 14  | 4-4100030183 | 2    | ST   | Spring             | Feder        | Ressort               |      |
| 15  | 4-5358050045 | 1    | ST   | Sleeve             | Muffe        | Manchon               |      |
| 16  | 4-5358050047 | 1    | ST   | Cap                | Kappe        | Capuchon              |      |
| 17  | 4-5358030042 | 2    | ST   | Plug               | Stopfen      | Bouchon               |      |
| 19  | 4-19955      | 2    | ST   | Plate              | Platte       | Plaque                |      |
| 20  | 4-19956      | 4    | ST   | Rubber             | Gummi        | Caoutchouc            |      |
| 21  | 4-21968      | 1    | ST   | Rubber             | Gummi        | Caoutchouc            |      |
| 22  | 4-21884      | 2    | ST   | Gasket             | Dichtung     | Joint d'étanchéité    |      |
| 23  | 4-28414      | 1    | ST   | Rubber             | Gummi        | Caoutchouc            |      |
| 24  | 4-3002506020 | 2    | ST   | Hexagon head screw | 6kt-Schraube | Vis à tête hexagonale |      |
| 25  | 4-3799106022 | 5    | ST   | Countersunk screw  | Senkschraube | Vis à tête fraisée    |      |
| 26  | 1-902973     | 12   | ST   | Countersunk screw  | Senkschraube | Vis à tête fraisée    |      |
| 27  | 4-3001508045 | 1    | ST   | Hexagon head screw | 6kt-Schraube | Vis à tête hexagonale |      |
| 28  | 4-3002514030 | 5    | ST   | Hexagon head screw | 6kt-Schraube | Vis à tête hexagonale |      |
| 30  | 4-3048500060 | 7    | ST   | Hexagon nut        | 6kt-Mutter   | Écrou hexagonal       |      |
| 31  | 4-3048500080 | 16   | ST   | Hexagon nut        | 6kt-Mutter   | Écrou hexagonal       |      |
| 32  | 4-3530020120 | 2    | ST   | Nut                | Mutter       | Ecrou                 |      |
| 34  | 4-3900017060 | 7    | ST   | Spring washer      | Federscheibe | Rondelle élastique    |      |
| 35  | 4-3170200084 | 4    | ST   | Washer             | U-Scheibe    | Rondelle              |      |
| 36  | 4-3900017080 | 12   | ST   | Spring washer      | Federscheibe | Rondelle élastique    |      |
| 37  | 4-3170600130 | 2    | ST   | Washer             | U-Scheibe    | Rondelle              |      |
| 38  | 4-3172700140 | 5    | ST   | Washer             | U-Scheibe    | Rondelle              |      |
| 39  | 4-3900017140 | 5    | ST   | Spring washer      | Federscheibe | Rondelle élastique    |      |

| Pos | Article      | Qty. | Unit | Description    | Bezeichnung     | Designation   | Note |
|-----|--------------|------|------|----------------|-----------------|---------------|------|
| 0   | 4-28072      | 1    | ST   | Suspension     | Aufhängung      | Suspension    |      |
| 1   | 4-439330     | 1    | ST   | Bolt           | Bolzen          | Boulon        |      |
| 2   | 4-433139     | 1    | ST   | Securing plate | Sicherungsblech | Frein d'écrou |      |
| 3   | 4-3433328032 | 1    | ST   | Bolt           | Bolzen          | Boulon        |      |
| 4   | 4-3170200105 | 1    | ST   | Washer         | U-Scheibe       | Rondelle      |      |
| 5   | 4-3178103220 | 1    | ST   | Split-pin      | Splint          | Goupille      |      |

| Pos | Article     | Qty. | Unit | Description                | Bezeichnung                | Designation                  | Note |
|-----|-------------|------|------|----------------------------|----------------------------|------------------------------|------|
| 150 | 4-S23700    | 1    | ST   | Operator platform complete | Plattform komplett         | Poste de conduite complète   |      |
| 151 | 4-S25847    | 1    | ST   | Accessories platform       | Anbauteile Plattform       | Accessoires Platform         |      |
| 156 | 4-S26260    | 1    | ST   | Operator stand             | Fahrerstand                | Poste de conduite            |      |
| 160 | 4-S25500    | 1    | ST   | Cab                        | Kabine                     | Cabine                       |      |
| 162 | 4-S1317222A | 1    | ST   | Cab part A                 | Kabine Teil A              | Cabine partie A              |      |
| 162 | 4-S1317222B | 1    | ST   | Cab part B                 | Kabine Teil B              | Cabine partie B              |      |
| 163 | 4-S25499    | 1    | ST   | Door                       | Tür                        | Porte                        |      |
| 164 | 4-S23408_B  | 1    | ST   | Door                       | Tür                        | Porte                        |      |
| 165 | 4-S23409_B  | 1    | ST   | Door                       | Tür                        | Porte                        |      |
| 170 | 4-S19405    | 1    | ST   | Platform mounting          | Bühnenlagerung             | Emplacement de la passerelle |      |
| 172 | 4-S29076    | 1    | ST   | Ensuring platforms         | Sicherstellung Plattformen | Plateformes assurant         |      |
| 191 | 4-S324497   | 1    | ST   | Pre-filter                 | Vorfilter                  | Filtre amont                 |      |
| 192 | 4-S324496   | 1    | ST   | Cover                      | Abdeckung                  | Couverture                   |      |
| 200 | 4-S20151    | 1    | ST   | Cover hood                 | Abdeckhaube                | Couvercle                    |      |
| 205 | 4-S20483    | 1    | ST   | Cover hood is complete     | Abdeckhaube abgeschlossen  | Couvercle complète           |      |
| 206 | 4-S20867    | 1    | ST   | Lower cover                | Untere Abdeckung           | Cache inférieur              |      |
| 207 | 4-S20870    | 1    | ST   | Noise damping frame        | Schalldämmung Rahmen       | Cadre d'insonorisation       |      |

| Pos | Article      | Qty. | Unit | Description             | Bezeichnung            | Designation                     | Note |
|-----|--------------|------|------|-------------------------|------------------------|---------------------------------|------|
| 0   | 4-19800      | 1    | ST   | Washing water reservoir | Scheibenwasserbehälter | Réservoir d'eau pour lave-glace |      |
| 1   | 4-19801      | 1    | ST   | Washing water reservoir | Scheibenwasserbehälter | Réservoir d'eau pour lave-glace |      |
| 2   | 1270573      | 1    | ST   | Cap                     | Kappe                  | Capuchon                        |      |
| 3   | 1278954      | 2    | ST   | Water pump              | Wasserpumpe            | Pompe à eau                     |      |
| 4   | 4-24223      | 2    | ST   | Bushing                 | Buchse                 | Douille                         |      |
| 5   | 4-3170600064 | 2    | ST   | Washer                  | U-Scheibe              | Rondelle                        |      |
| 6   | 4-3114306030 | 2    | ST   | Socket head cap screw   | Zyl-Schraube           | Vis à tête cylindrique          |      |

CLICK HERE TO **DOWNLOAD** THE COMPLETE MANUAL

- Thank you very much for reading the preview of the manual.
- You can download the complete manual from: [www.heydownloads.com](http://www.heydownloads.com) by clicking the link below



- Please note: If there is no response to CLICKING the link, please download this PDF first and then click on it.

CLICK HERE TO **DOWNLOAD** THE COMPLETE MANUAL

**004-162**

| Pos | Article      | Qty. | Unit | Description                  | Bezeichnung         | Designation              | Note |
|-----|--------------|------|------|------------------------------|---------------------|--------------------------|------|
| 69  | 4-3002508016 | 10   | ST   | Hexagon head screw           | 6kt-Schraube        | Vis à tête hexagonale    |      |
| 72  | 1265662      | 8    | ST   | Self-tapping oval head screw | Linsenblechschraube | Vis à tôle à tête bombée |      |
| 73  | 2-83201144   | 20   | ST   | Self-tapping oval head screw | Linsenblechschraube | Vis à tôle à tête bombée |      |

| Pos | Article      | Qty. | Unit | Description   | Bezeichnung     | Designation        | Note |
|-----|--------------|------|------|---------------|-----------------|--------------------|------|
| 0   | 4-23406      | 1    | ST   | Door glass    | Türscheibe      | Vitre de porte     |      |
| 1   | 4-22368      | 1    | ST   | Door glass    | Türscheibe      | Vitre de porte     |      |
| 2   | 4-24100      | 1    | ST   | Handle        | Griff           | Poignée            |      |
| 3   | 1259565      | 1    | ST   | Washer        | U-Scheibe       | Rondelle           |      |
| 4   | 4-22904      | 1    | ST   | Washer        | U-Scheibe       | Rondelle           |      |
| 5   | 4-22905      | 1    | ST   | Washer        | U-Scheibe       | Rondelle           |      |
| 6   | 4-22906      | 1    | ST   | Washer        | U-Scheibe       | Rondelle           |      |
| 7   | 4-6160100157 | 1    | ST   | Leadthrough   | Durchführung    | Passage            |      |
| 8   | 1267225      | 1    | ST   | Round handle  | Ballengriff     | Poignée bombée     |      |
| 9   | 1263394      | 1    | ST   | Rotary handle | Drehgriff       | Poignée tournante  |      |
| 10  | 4-24105      | 1    | ST   | Pull rod      | Zugstange       | Boulon tirant      |      |
| 11  | 1258706      | 1    | ST   | Weatherseal   | Fensterdichtung | Joint de fenêtre   |      |
| 12  | 1265933      | 1    | ST   | Lock          | Schloss         | Serrure            |      |
| 13  | 1258664      | 2    | ST   | Door hinge    | Türscharnier    | Charnière de porte |      |
| 14  | 1258661      | 1    | ST   | Door hinge    | Türscharnier    | Charnière de porte |      |
| 15  | 1275680      | 1    | ST   | Bolt          | Bolzen          | Boulon             |      |
| 16  | 1275681      | 1    | ST   | Plug          | Stecker         | Fiche              |      |
| 17  | 4-3048500050 | 1    | ST   | Hexagon nut   | 6kt-Mutter      | Écrou hexagonal    |      |

ARS 220

**004-191**

Pre-filter  
Vorfilter  
Filtre amont

4-S324497



---

| Pos | Article      | Qty. | Unit | Description | Bezeichnung | Designation  | Note |
|-----|--------------|------|------|-------------|-------------|--------------|------|
| 1   | 4-5358520066 | 1    | ST   | Pre-filter  | Vorfilter   | Filtre amont |      |

---

| Pos | Article      | Qty. | Unit | Description        | Bezeichnung   | Designation           | Note |
|-----|--------------|------|------|--------------------|---------------|-----------------------|------|
| 0   | 4-20870      | 1    | ST   | Soundproofing      | Schalldämmung | Isolation acoustique  |      |
| 1   | 4-20871      | 1    | ST   | Plate              | Blech         | Tôle                  |      |
| 4   | 4-20872      | 1    | ST   | Insulation         | Isolation     | Isolation             |      |
| 7   | 4-3002508016 | 13   | ST   | Hexagon head screw | 6kt-Schraube  | Vis à tête hexagonale |      |
| 10  | 4-3900017080 | 13   | ST   | Spring washer      | Federscheibe  | Rondelle élastique    |      |
| 11  | 4-3172600084 | 13   | ST   | Washer             | U-Scheibe     | Rondelle              |      |

**005-300**

| Pos | Article      | Qty. | Unit | Description           | Bezeichnung  | Designation            | Note |
|-----|--------------|------|------|-----------------------|--------------|------------------------|------|
| 148 | 4-5358050039 | 1    | ST   | Sleeve                | Muffe        | Manchon                |      |
| 149 | 4-5358050038 | 2    | ST   | Sleeve                | Muffe        | Manchon                |      |
| 156 | 4-3114306022 | 1    | ST   | Socket head cap screw | Zyl-Schraube | Vis à tête cylindrique |      |
| 159 | 4-3114306030 | 10   | ST   | Socket head cap screw | Zyl-Schraube | Vis à tête cylindrique |      |
| 171 | 4-3114310030 | 12   | ST   | Socket head cap screw | Zyl-Schraube | Vis à tête cylindrique |      |
| 173 | 4-3114310035 | 28   | ST   | Socket head cap screw | Zyl-Schraube | Vis à tête cylindrique |      |
| 175 | 4-3114310060 | 2    | ST   | Socket head cap screw | Zyl-Schraube | Vis à tête cylindrique |      |
| 187 | 4-3114312045 | 4    | ST   | Socket head cap screw | Zyl-Schraube | Vis à tête cylindrique |      |
| 193 | 4-3002514050 | 4    | ST   | Hexagon head screw    | 6kt-Schraube | Vis à tête hexagonale  |      |
| 200 | 4-3170600064 | 11   | ST   | Washer                | U-Scheibe    | Rondelle               |      |
| 203 | 4-3900017100 | 2    | ST   | Spring washer         | Federscheibe | Rondelle élastique     |      |

| Pos | Article      | Qty. | Unit | Description        | Bezeichnung       | Designation                   | Note |
|-----|--------------|------|------|--------------------|-------------------|-------------------------------|------|
| 0   | 4-26318      | 1    | ST   | Hydraulic oil tank | Hydrauliköltank   | Réservoir d'huile hydraulique |      |
| 1   | 4-26319      | 1    | ST   | Hydraulic oil tank | Hydrauliköltank   | Réservoir d'huile hydraulique |      |
| 2   | 4-21378      | 1    | ST   | Cover              | Deckel            | Couvercle                     |      |
| 3   | 4-5451050053 | 1    | ST   | Strainer           | Saugkorb          | Crépine                       |      |
| 4   | 4-5451050018 | 1    | ST   | Strainer           | Saugkorb          | Crépine                       |      |
| 5   | 4-5160650067 | 1    | ST   | Screwed connection | Verschraubung     | Raccord vissé                 |      |
| 6   | 4-5160650091 | 1    | ST   | Screwed connection | Verschraubung     | Raccord vissé                 |      |
| 8   | 4-5160670073 | 1    | ST   | Sealing plug       | Verschlussstopfen | Bouchon de fermeture          |      |
| 9   | 4-5160670103 | 1    | ST   | Sealing plug       | Verschlussstopfen | Bouchon de fermeture          |      |
| 10  | 4-5160670143 | 2    | ST   | Sealing plug       | Verschlussstopfen | Bouchon de fermeture          |      |
| 11  | 1280287      | 1    | ST   | Filter             | Filter            | Filtre                        |      |
| 12  | 4-5536860012 | 1    | ST   | Inspection glass   | Schauglas         | Verre de regard               |      |
| 13  | 1241005      | 1    | ST   | Level sensor       | Füllstandssensor  | Capteur de niveau             |      |
| 16  | 4-26380      | 1    | ST   | Gasket             | Dichtung          | Joint d'étanchéité            |      |
| 17  | 4-3900017080 | 14   | ST   | Spring washer      | Federscheibe      | Rondelle élastique            |      |
| 18  | 4-3002508025 | 14   | ST   | Hexagon head screw | 6kt-Schraube      | Vis à tête hexagonale         |      |
| 19  | 4-3002516030 | 6    | ST   | Hexagon head screw | 6kt-Schraube      | Vis à tête hexagonale         |      |
| 24  | 4-3900017160 | 6    | ST   | Spring washer      | Federscheibe      | Rondelle élastique            |      |
| 25  | 4-3679600170 | 6    | ST   | Strain washer      | Spannscheibe      | Rondelle élastique            |      |
| 26  | 1295551      | 14   | ST   | Nut                | Mutter            | Ecrou                         |      |

| Pos | Article      | Qty. | Unit | Description        | Bezeichnung       | Designation          | Note |
|-----|--------------|------|------|--------------------|-------------------|----------------------|------|
| 0   | 4-21682      | 1    | ST   | Cube               | Würfel            | Cube                 |      |
| 1   | 4-21683      | 1    | ST   | Cube               | Würfel            | Cube                 |      |
| 3   | 4-5160650029 | 1    | ST   | Screwed connection | Verschraubung     | Raccord vissé        |      |
| 4   | 4-5160650059 | 1    | ST   | Screwed connection | Verschraubung     | Raccord vissé        |      |
| 5   | 4-5160650014 | 1    | ST   | Screwed connection | Verschraubung     | Raccord vissé        |      |
| 6   | 4-5160650036 | 1    | ST   | Screwed connection | Verschraubung     | Raccord vissé        |      |
| 7   | 4-5160650066 | 1    | ST   | Screwed connection | Verschraubung     | Raccord vissé        |      |
| 8   | 4-5160650067 | 1    | ST   | Screwed connection | Verschraubung     | Raccord vissé        |      |
| 9   | 4-5160650091 | 2    | ST   | Screwed connection | Verschraubung     | Raccord vissé        |      |
| 11  | 4-5160670040 | 1    | ST   | Sealing plug       | Verschlussstopfen | Bouchon de fermeture |      |
| 12  | 4-5160670143 | 3    | ST   | Sealing plug       | Verschlussstopfen | Bouchon de fermeture |      |
| 15  | 1294255      | 1    | ST   | Nonreturn valve    | Rückschlagventil  | Clapet antiretour    |      |
| 18  | 4-6090010412 | 1    | ST   | Sealing ring       | Dichtring         | Bague d'étanchéité   |      |
| 20  | 1234999      | 1    | ST   | Temperature sensor | Temperaturfühler  | Sonde de température |      |

| Pos  | Article      | Qty. | Unit | Description        | Bezeichnung       | Designation                 | Note |
|------|--------------|------|------|--------------------|-------------------|-----------------------------|------|
| 0    | 4-25114      | 1    | ST   | Fluid motor        | Hydraulikmotor    | Moteur hydraulique          |      |
| 1    | 4-25119      | 1    | ST   | Pipe               | Rohr              | Tuyau                       |      |
| 2    | 4-443851     | 1    | ST   | Bolt               | Bolzen            | Boulon                      |      |
| 3    | 4-433692     | 1    | ST   | Bolt               | Bolzen            | Boulon                      |      |
| 4    | 4-433691     | 2    | ST   | Insert             | Einsatz           | Insertion                   |      |
| 4    | 4-433691     | 2    | ST   | Insert             | Einsatz           | Insertion                   |      |
| 5    | 4-433695     | 1    | ST   | Plate              | Lasche            | Jumelle                     |      |
| 5    | 4-433695     | 1    | ST   | Plate              | Lasche            | Jumelle                     |      |
| 8    | 1226031      | 1    | ST   | Hydraulic cylinder | Hydraulikzylinder | Vérin hydraulique           |      |
| 8.01 | 1238072      | 1    | ST   | Sealing kit        | Dichtsatz         | Lot d'étanchéité            |      |
| 9    | 1252121      | 1    | ST   | Nonreturn valve    | Rückschlagventil  | Clapet antiretour           |      |
| 9.01 | 1262089      | 1    | ST   | Sealing ring       | Dichtring         | Bague d'étanchéité          |      |
| 12   | 4-5160650106 | 1    | ST   | Screwed connection | Verschraubung     | Raccord vissé               |      |
| 13   | 4-5160650126 | 3    | ST   | Screwed connection | Verschraubung     | Raccord vissé               |      |
| 15   | 4-5160670076 | 2    | ST   | Screwed connection | Verschraubung     | Raccord vissé               |      |
| 17   | 4-5160670114 | 2    | ST   | Sealing plug       | Verschlussstopfen | Bouchon de fermeture        |      |
| 20   | 4-3002508012 | 2    | ST   | Hexagon head screw | 6kt-Schraube      | Vis à tête hexagonale       |      |
| 20   | 4-3002508012 | 2    | ST   | Hexagon head screw | 6kt-Schraube      | Vis à tête hexagonale       |      |
| 22   | 4-3900017080 | 2    | ST   | Spring washer      | Federscheibe      | Rondelle élastique          |      |
| 22   | 4-3900017080 | 2    | ST   | Spring washer      | Federscheibe      | Rondelle élastique          |      |
| 24   | 4-5536210006 | 1    | ST   | Greasing nipple    | Schmiernippel     | Graisseur                   |      |
| 26   | 4-6160140046 | 2    | ST   | O-ring             | O-Ring            | Anneau torique d'étanchéité |      |
| 26   | 4-6160140046 | 2    | ST   | O-ring             | O-Ring            | Anneau torique d'étanchéité |      |
| 28   | 4-5358030042 | 1    | ST   | Plug               | Stopfen           | Bouchon                     |      |

**006-404**

| Pos | Article      | Qty. | Unit | Description             | Bezeichnung         | Designation             | Note |
|-----|--------------|------|------|-------------------------|---------------------|-------------------------|------|
| 0   | 4-212098     | 1    | ST   | Electrical installation | Elektroinstallation | Installation électrique |      |
| 1   | 4-107943     | 1    | ST   | Cable harness           | Kabelbaum           | Faisceau de câbles      |      |
| 2   | 4-325446     | 1    | ST   | Cable harness           | Kabelbaum           | Faisceau de câbles      |      |
| 3   | 4-325447     | 1    | ST   | Cable harness           | Kabelbaum           | Faisceau de câbles      |      |
| 4   | 4-325448     | 1    | ST   | Cable harness           | Kabelbaum           | Faisceau de câbles      |      |
| 10  | 4-25009      | 1    | ST   | Holder                  | Halter              | Support de caisson      |      |
| 49  | 1232283      | 2    | ST   | Hose clip               | Schlauchschelle     | Bride pour tuyaux       |      |
| 96  | 4-5422240001 | 4    | ST   | Insulating tape         | Isolierband         | Ruban isolant           |      |

| Pos | Article      | Qty. | Unit | Description        | Bezeichnung      | Designation           | Note |
|-----|--------------|------|------|--------------------|------------------|-----------------------|------|
| 0   | 4-27556      | 1    | ST   | Switch cabinet     | Schaltschrank    | Armoire électrique    |      |
| 3   | 1221828      | 2    | ST   | Oval head screw    | Linsenschraube   | Vis à tête bombée     |      |
| 4   | 1221833      | 4    | ST   | Oval head screw    | Linsenschraube   | Vis à tête bombée     |      |
| 5   | H77285054    | 4    | ST   | Oval head screw    | Linsenschraube   | Vis à tête bombée     |      |
| 6   | 3-56219      | 2    | ST   | Oval head screw    | Linsenschraube   | Vis à tête bombée     |      |
| 7   | 1188206      | 1    | ST   | Flange             | Flansch          | Bride                 |      |
| 8   | 4-27637      | 1    | ST   | Bar                | Leiste           | Listel                |      |
| 9   | 4-441476     | 1    | ST   | Holder             | Halter           | Support de caisson    |      |
| 10  | 1234567      | 1    | ST   | Computer           | Computer         | Ordinateur            |      |
| 12  | 4-27987      | 1    | ST   | Bracket            | Konsole          | Console               |      |
| 13  | 4-27988      | 1    | ST   | Bracket            | Konsole          | Console               |      |
| 14  | 4-27160      | 1    | ST   | Bracket            | Konsole          | Console               |      |
| 15  | 4-27589      | 1    | ST   | Bracket            | Konsole          | Console               |      |
| 16  | 1224808      | 4    | ST   | Hexagon nut        | 6kt-Mutter       | Écrou hexagonal       |      |
| 17  | 1302698      | 2    | ST   | Module             | Modul            | Module                |      |
| 18  | 4-5358170081 | 4    | ST   | Relay support      | Relaissockel     | Base de relais        |      |
| 19  | 1240090      | 4    | ST   | Relay support      | Relaissockel     | Base de relais        |      |
| 20  | 1237040      | 2    | ST   | Relay support      | Relaissockel     | Base de relais        |      |
| 21  | 4-27159      | 1    | ST   | Plate              | Blech            | Tôle                  |      |
| 22  | 4-5422060026 | 1    | ST   | Fuse               | Sicherung        | Fusible               |      |
| 23  | 4-5422060014 | 3    | ST   | Fuse               | Sicherung        | Fusible               |      |
| 24  | 4-5422060012 | 3    | ST   | Fuse               | Sicherung        | Fusible               |      |
| 25  | 4-5422060016 | 4    | ST   | Fuse               | Sicherung        | Fusible               |      |
| 26  | 4-5422060013 | 3    | ST   | Fuse               | Sicherung        | Fusible               |      |
| 27  | 4-5422060017 | 1    | ST   | Fuse               | Sicherung        | Fusible               |      |
| 28  | 4-5422060020 | 1    | ST   | Fuse               | Sicherung        | Fusible               |      |
| 29  | 4-9200010005 | 20   | ST   | Bridge             | Brücke           | Pont                  |      |
| 30  | 1239953      | 2    | ST   | Relay              | Relais           | Relais protecteur     |      |
| 31  | 1239979      | 2    | ST   | Relay              | Relais           | Relais protecteur     |      |
| 32  | 4-5432010070 | 1    | ST   | Resistance         | Widerstand       | Résistance            |      |
| 33  | 1246691      | 1    | ST   | Connector kit      | Steckersatz      | Jeu de fiches         |      |
| 34  | 4-9200010006 | 3    | ST   | Fusebox            | Sicherungskasten | Coffret à fusibles    |      |
| 35  | 1225429      | 4    | ST   | Hexagon head screw | 6kt-Schraube     | Vis à tête hexagonale |      |
| 36  | 4-6531013754 | 1    | ST   | Plate              | Schild           | Enseigne              |      |
| 37  | 4-5432020002 | 2    | ST   | Socket             | Steckdose        | Prise de courant      |      |
| 38  | 4-3140100020 | 2    | ST   | Hexagon nut        | 6kt-Mutter       | Écrou hexagonal       |      |
| 39  | 4-3149200030 | 4    | ST   | Nut                | Mutter           | Ecrou                 |      |

| Pos | Article      | Qty. | Unit | Description    | Bezeichnung | Designation | Note |
|-----|--------------|------|------|----------------|-------------|-------------|------|
| 0   | 4-25004      | 1    | ST   | Accessories    | Zubehör     | Accessoires |      |
| 1   | 4-27082      | 1    | ST   | Key            | Schlüssel   | Clé         |      |
| 2   | 4-5536900003 | 1    | ST   | Hose           | Schlauch    | Tuyau       |      |
| 3   | 4-5536620004 | 1    | ST   | Pressure plate | Presse      | Presse      |      |

| Pos | Article      | Qty. | Unit | Description             | Bezeichnung         | Designation             | Note |
|-----|--------------|------|------|-------------------------|---------------------|-------------------------|------|
| 0   | 4-28638      | 1    | ST   | Electrical installation | Elektroinstallation | Installation électrique |      |
| 1   | 4-444381     | 1    | ST   | Cable harness           | Kabelbaum           | Faisceau de câbles      |      |
| 3   | 1290986      | 2    | ST   | Spotlight               | Scheinwerfer        | Projecteur              |      |
| 5   | 4-5413070088 | 1    | ST   | Head piece              | Kopfstück           | Pièce de tête           |      |
| 6   | 4-5413070113 | 1    | ST   | Clutch                  | Kupplung            | Embrayage               |      |
| 7   | 4-5413070122 | 1    | ST   | Contact                 | Kontakt             | Contact                 |      |
| 9   | 4-5358170080 | 1    | ST   | Relay                   | Relais              | Relais protecteur       |      |
| 11  | 4-5422060012 | 1    | ST   | Fuse                    | Sicherung           | Fusible                 |      |

| Pos | Article      | Qty. | Unit | Description           | Bezeichnung  | Designation            | Note |
|-----|--------------|------|------|-----------------------|--------------|------------------------|------|
| 0   | 4-28169      | 1    | ST   | Holder                | Halter       | Support de caisson     |      |
| 1   | 4-28163      | 1    | ST   | Frame                 | Rahmen       | Cadre                  |      |
| 3   | 4-24088      | 1    | ST   | Strut                 | Strebe       | Contrefiche            |      |
| 6   | 4-3114308020 | 1    | ST   | Socket head cap screw | Zyl-Schraube | Vis à tête cylindrique |      |
| 7   | 4-3002508025 | 4    | ST   | Hexagon head screw    | 6kt-Schraube | Vis à tête hexagonale  |      |
| 10  | 4-3170200084 | 5    | ST   | Washer                | U-Scheibe    | Rondelle               |      |
| 11  | 4-3174000082 | 5    | ST   | Lock washer           | Federring    | Rondelle élastique     |      |
| 14  | 4-3048500080 | 1    | ST   | Hexagon nut           | 6kt-Mutter   | Écrou hexagonal        |      |

**008-546**

| Pos | Article      | Qty. | Unit | Description         | Bezeichnung             | Designation                     | Note |
|-----|--------------|------|------|---------------------|-------------------------|---------------------------------|------|
| 0   | 4-760191     | 1    | ST   | Filter set          | Filtersatz              | Jeu de filtre                   |      |
| 1   | 1320509      | 1    | ST   | Oil filter          | Ölfilter                | Filtre à huile                  |      |
| 2   | 1399158      | 1    | ST   | Filter element      | Filterelement           | Élément de filtrage             |      |
| 3   | 1301837      | 2    | ST   | Fuel filter element | Kraftstofffilterelement | Cartouche de filtre à carburant |      |
| 4   | 1400953      | 1    | ST   | Filter element      | Filterelement           | Élément de filtrage             |      |
| 5   | 1263263      | 1    | ST   | Air filter element  | Luftfilterelement       | Garniture de filtre à air       |      |
| 6   | 1280287      | 1    | ST   | Filter              | Filter                  | Filtre                          |      |
| 7   | 4-5358520121 | 1    | ST   | Filter element      | Filterelement           | Élément de filtrage             |      |

**Index**

**Index**

**Registre**

CLICK HERE TO **DOWNLOAD** THE COMPLETE MANUAL

- Thank you very much for reading the preview of the manual.
- You can download the complete manual from: [www.heydownloads.com](http://www.heydownloads.com) by clicking the link below



- Please note: If there is no response to CLICKING the link, please download this PDF first and then click on it.

CLICK HERE TO **DOWNLOAD** THE COMPLETE MANUAL