

Spare parts catalogue

AFW 700-3

Cummins Tier4F / Stage IV



Book ID: 10002014EHG002121

CLICK HERE TO **DOWNLOAD** THE COMPLETE MANUAL

- Thank you very much for reading the preview of the manual.
- You can download the complete manual from: www.heydownloads.com by clicking the link below



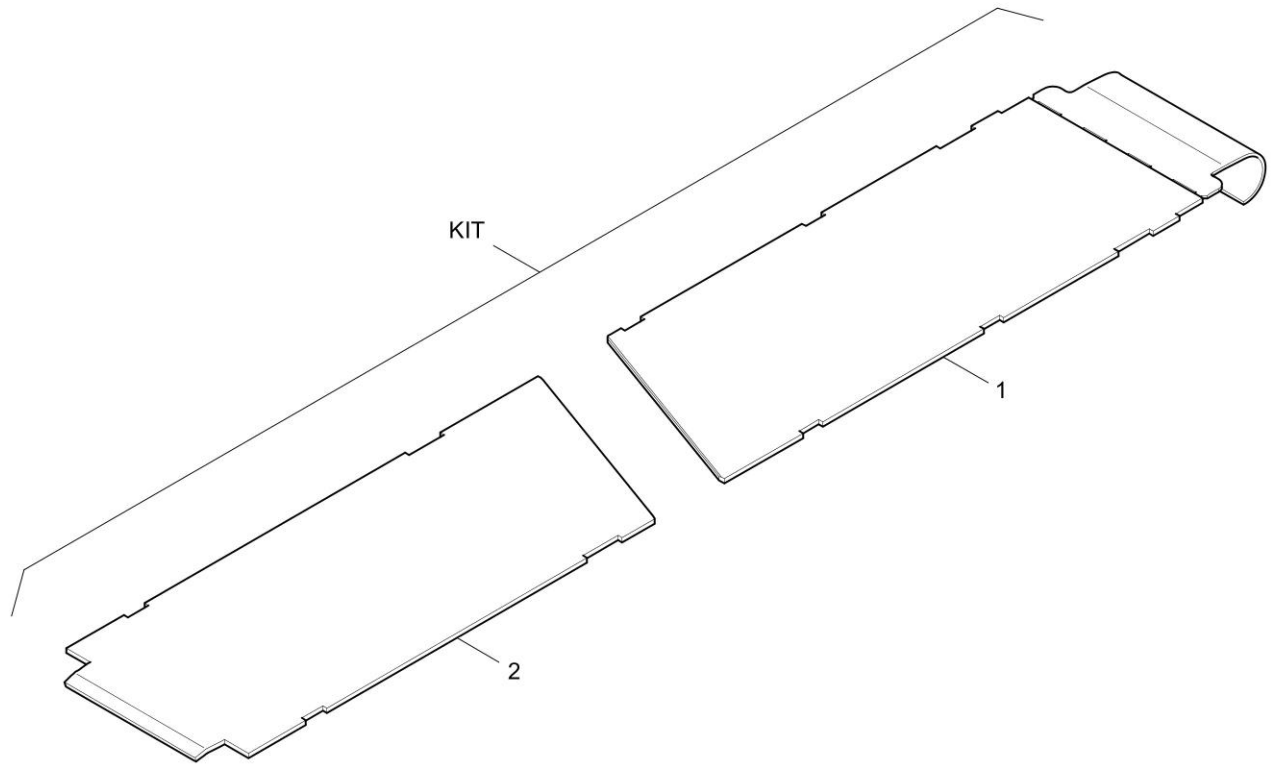
- Please note: If there is no response to CLICKING the link, please download this PDF first and then click on it.

CLICK HERE TO **DOWNLOAD** THE COMPLETE MANUAL

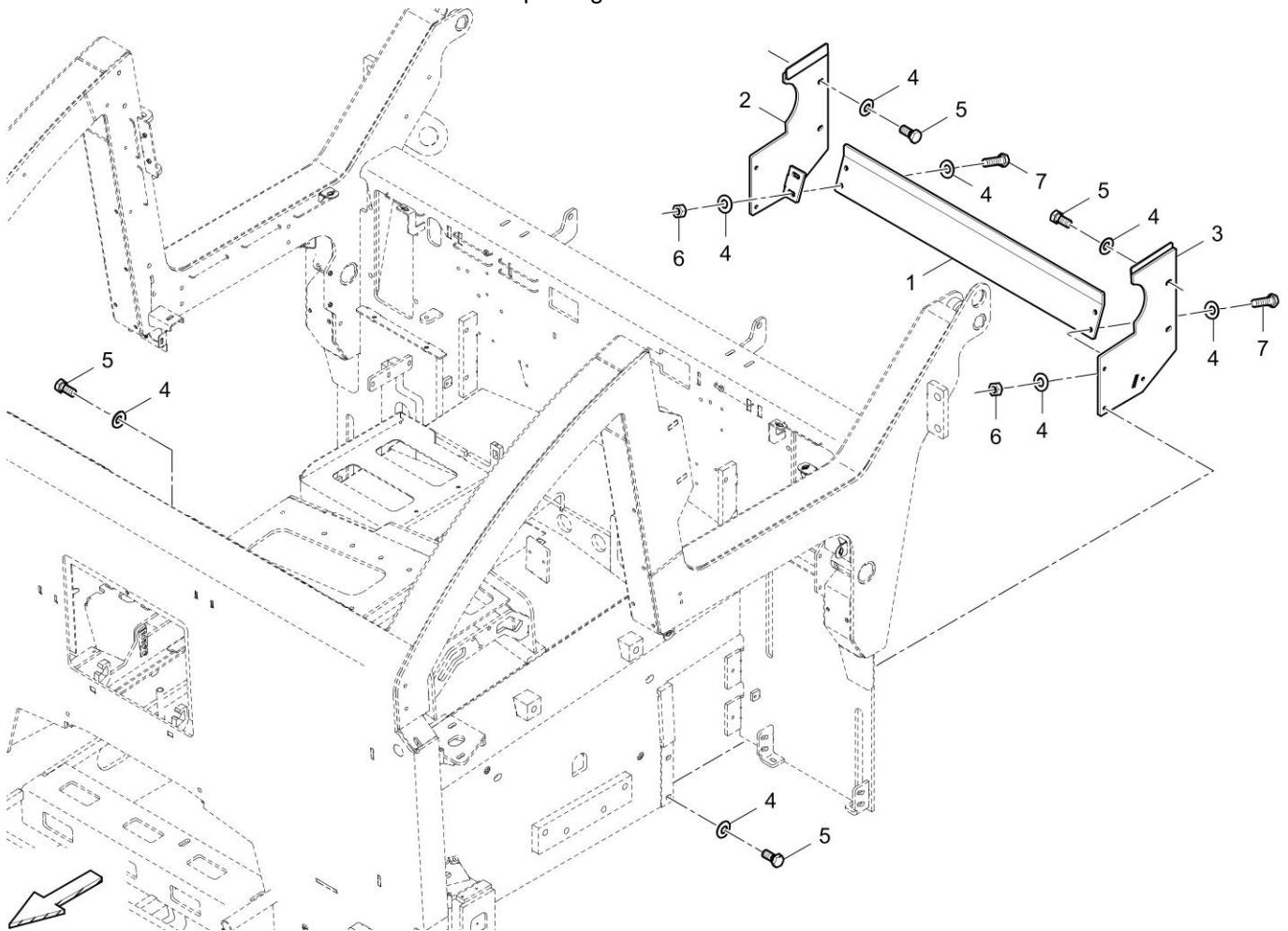
40-4812008046 Guide profile l.h.	95
40-4812008047 Guide profile r.h.	96
40-4812006436 Guide	
40-4812006436 Guide	97
40-4812047665 Security rail	98
40-4812226122 Roof	
40-4812226122 Roof	99
40-4812229224 Locking	100
40-4812225528 roof frame rear	101
40-4812225474 roof frame font	102
40-4812225624 GRP - roof frame	103
40-4812005850 Crash protection	105
40-4812226856 Crash protection front	106
40-4812227773 Roof hydraulic	
40-4812227773 Roof hydraulic	107
40-4812043525 Hydr. roof adjustment	108
40-4812030547 Hydraulic, operation platform	
40-4812030547 Hydraulic, operation platform	109
40-4812033247 Control block	See page 32
40-4812017300 Operator board	
40-4812017300 Operator board	111
40-4812227100 Clamping lever	
40-4812227100 Clamping lever	113
40-4812228437 Telescopic pipe set	115
40-4812005193 Console	116
40-4812007259 Stop bolt	118
40-4812006123 Brake	
40-4812006123 Brake	119
40-4812006125 Pedal	120
40-4812230390 Ascension f. Varioscreed Tier4 f, for s/n 0G001606, 1621, ff	
40-4812230390 Ascent	121
40-4812225923 Ascent middle	122
40-4812225926 Ascent l. h.	124
40-4812230307 Ascent r.h.	126
Engine, Stage IV / Tier4f	
40-4812010282 Drive, Stage IV / Tier 4f	
40-4812010282 Drive T4F	128
40-4812010283 Engine	129
40-4812046937A Engine support	130
40-4812008985 Attaching parts	131
40-4812032010 Fuel system	132
Service parts	
40-4812019475 Service Parts	133
40-4812013884 Exhaust pipe, T4f	135
40-4812023352 Oil drain	136
40-4812013354 DEF System	
40-4812013354 DEF System	137
40-4812011244 DEF Tank	139
40-4812018047 Supply module	140
40-4812016748 Cooler hose	141
40-4812016749 Cooler hose	142

40-4812019117 Bio hydraulic oil / Panolin	576
40-4812030545 Partial flow filter	
40-4812018501 Hydr. partial flow filter	577
40-D964013553 Partial flow filter	578
40-4812045145 Hydr. auger external drive	
40-4812045145 Hydr. auger external drive	579
40-4812045427 Material tunnel installation kit	
40-4812045427 Material tunnel installation kit	580
40-4812045416 Material tunnel 230	581
40-4812045421 Protection cover	582
40-4812033051 Option engine room lighting	
40-4812033051 Option engine room lighting	583
40-4812029937 Engine room lighting, electric	
40-4812029937 Engine room lighting, electric	584
40-4812019225 Cable W24	585
40-4812032841 Lamp interior	586
40-4812030003 Cable W24	587
40-4812032889 Engine room lighting	588
40-4812023396 Option engine room lighting, Tier4f	
40-4812023396 Option engine room lighting	589
40-4812032889 Engine room lighting	
40-4812032889 Engine room lighting	See page 588
40-4812023397 Engine room lighting, electric	
40-4812023397 Engine room lighting, electric	591
40-4812023391 Cable W24	593
40-4812016484 Spot light	
40-4812016484 Spot light	594
40-4812006942 Halogen spot light	
40-4812006942 Halogen spot light	595
40-4812006904 Halogen spot light	596
40-4812006905 Halogen spot light	597
40-4812036596 cable cpl.	598
40-4812006986 Lamp holder	599
40-4812229357 Lightning ballon	
40-4812229357 Lighting balloon	600
40-4812005276 Lighting balloon	601
40-4812035405 Central lubrication	
40-4812035405 Central lubrication	602
40-4812040289 Kit central lubrication f. auger	603
40-4812030073 El. option central lubrication	605
40-4812037776 Pump	
40-4812037776 Pump	606
40-4812037777 Pump	607
40-4812040056 Fire extinguisher	
40-4812040056 Fire extinguisher	610
40-4812035407 Refueling equipment	
40-4812035407 Refueling equipment	611
40-4812029968 Refueling equipment	612

Conveyor kits 40-4812016662 Conveyor plates cpl.



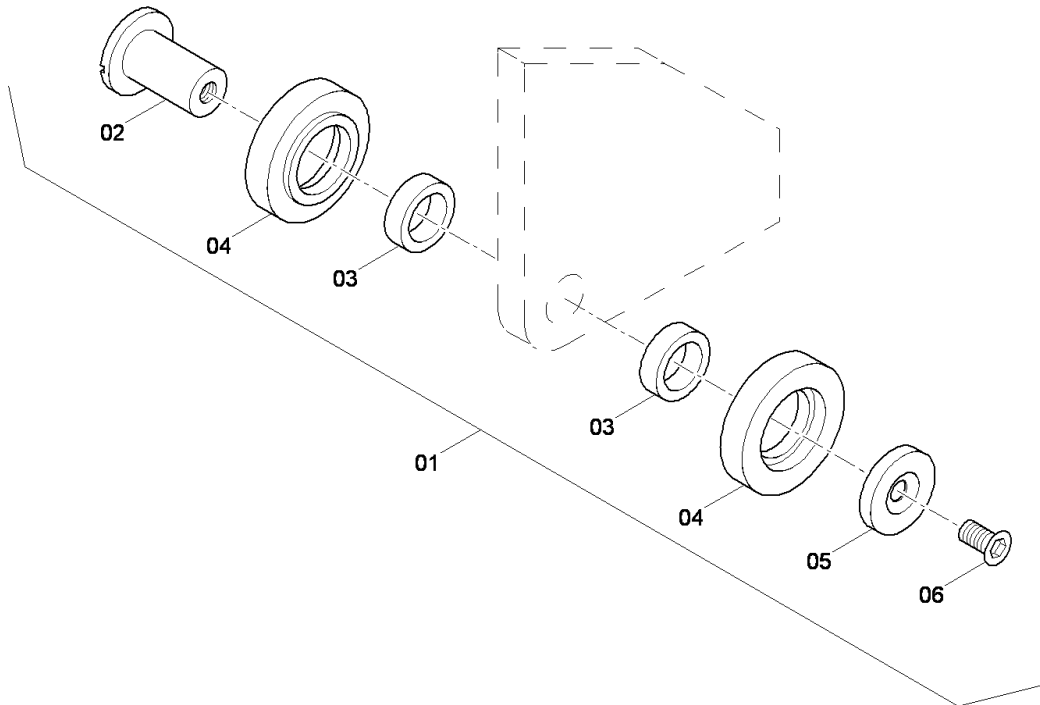
Item	Part No.	Name	Qty	L	C	SN INFO
KIT	40-4812016662	Wear part kit conveyor plates	1			
1		Conveyor plate	2			
2		Conveyor plate	2			

40-4812013356 Main frame 40-4812231640 Splash guard

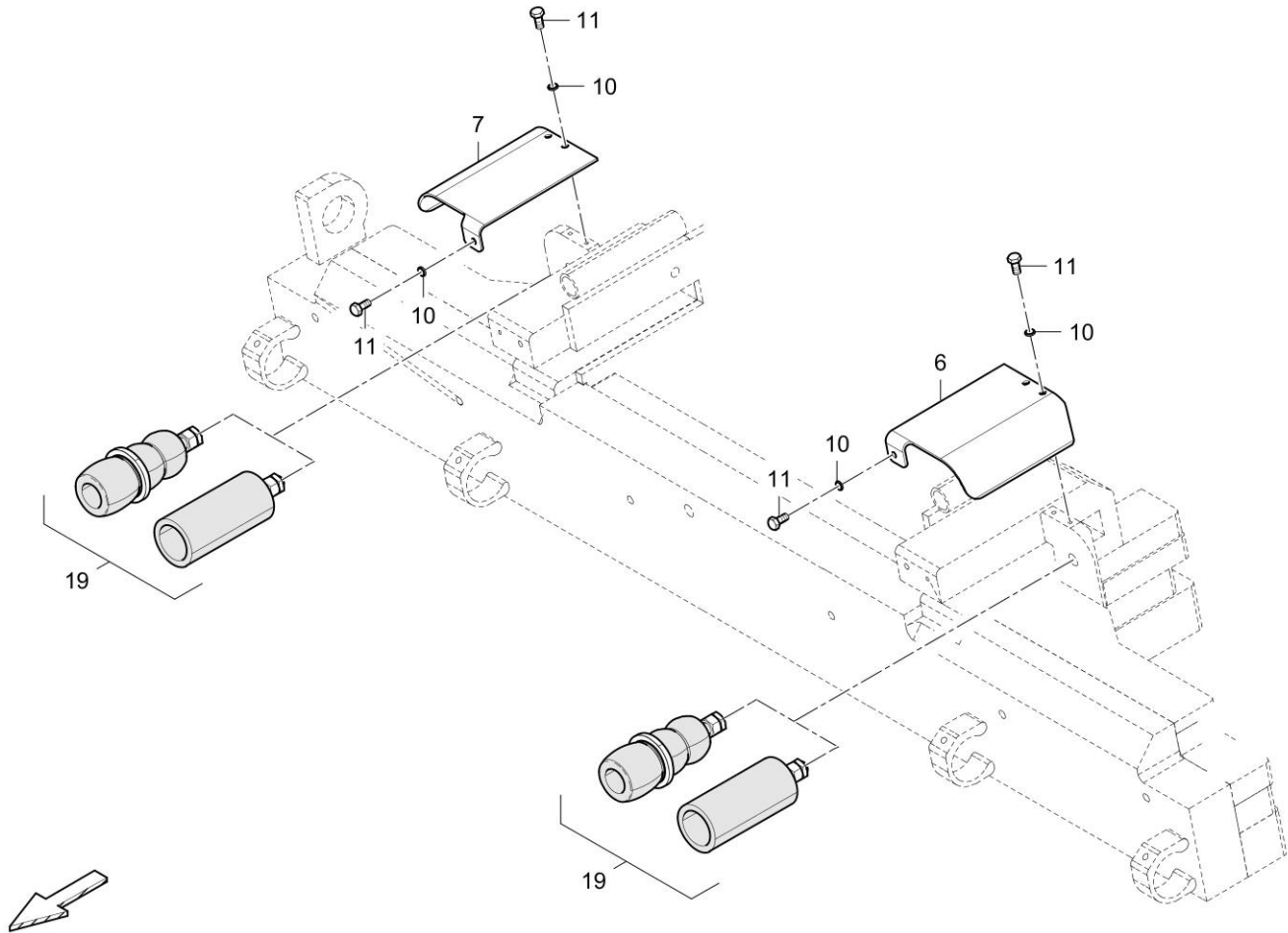
Item	Part No.	Name	Qty	L	C	SN INFO
1	40-4812030304	Deflector plate	1			
2	40-4812231633	Cover plate, r.h.	1			
3	40-4812231638	Cover plate, l.h.	1			
4	40-D930435674	Washer	16			
5	40-0147140003	Hex head screw M12 x 25	8			
6	40-0266211200	Hexagon nut M12	4			
7	40-0147140303	Hexagon bolt	4			

Refer to Parts Online for the most up to date information. The printed information might be outdated.

Mon Feb 26 08:41:42 UTC 2018

40-4812029165 Side screed arm, l.h. 40-4720000097 Side arm guiding

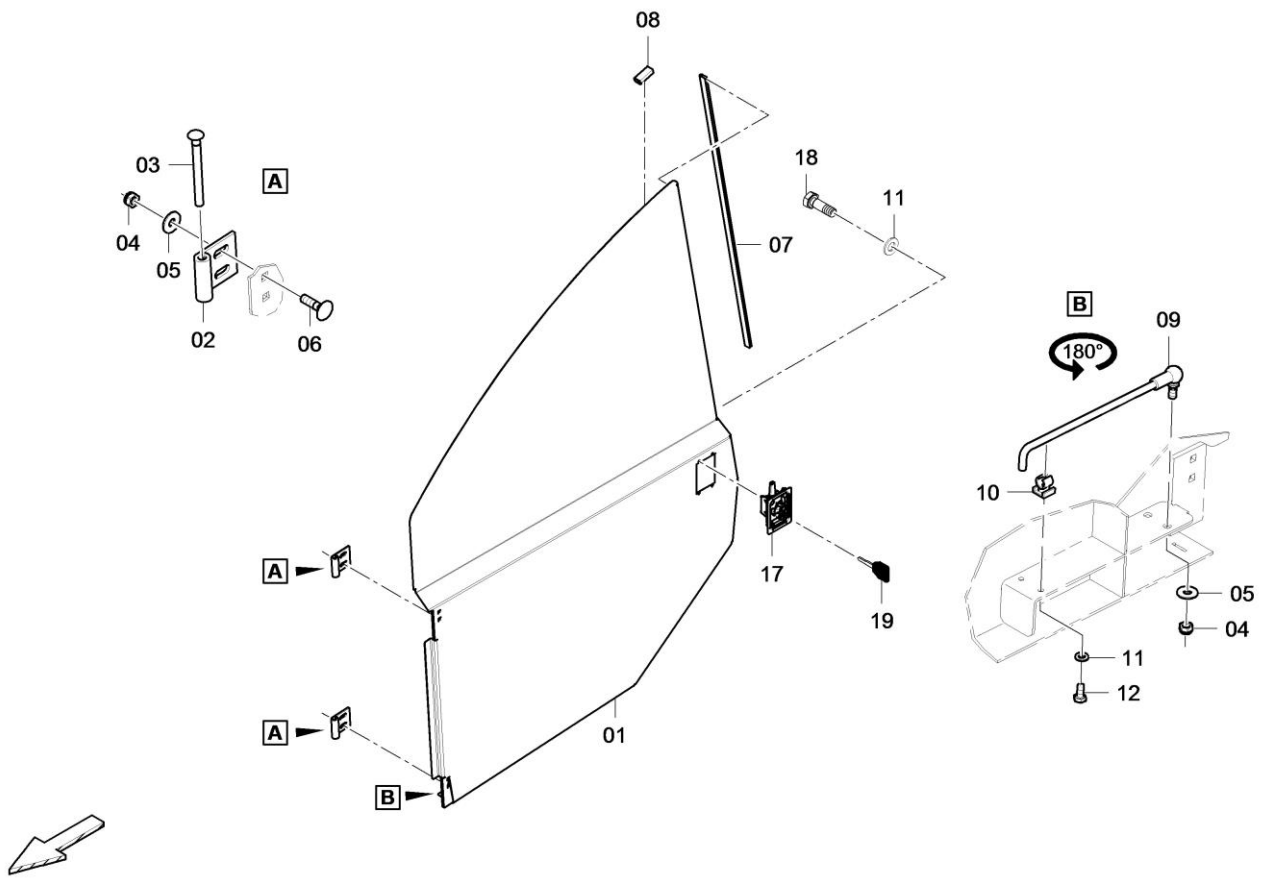
Item	Part No.	Name	Qty	L	C	SN INFO
1	40-4720000097	Side arm guiding	1			
2	40-4730000284	Bolt	1			
3	40-4730000285	Bushing	2			
4	40-4730000286	Guide roller	2			
5	40-4730000287	Washer	1			
6	40-5730015477	Hexagon screw	1			

40-4812043369A Push roller 40-4812043389 Mounting parts

Item	Part No.	Name	Qty	L	C	SN INFO
6	40-4812043384	Cover, l.h.	1			
7	40-4812043386	Cover, r.h.	1			
10	40-0333310036	Schnorr-lock washer	6			
11	40-0147132303	Hexagon bolt	6			
19	40-4812016639	Shock absorber	2			

Refer to Parts Online for the most up to date information. The printed information might be outdated.

Mon Feb 26 08:41:47 UTC 2018

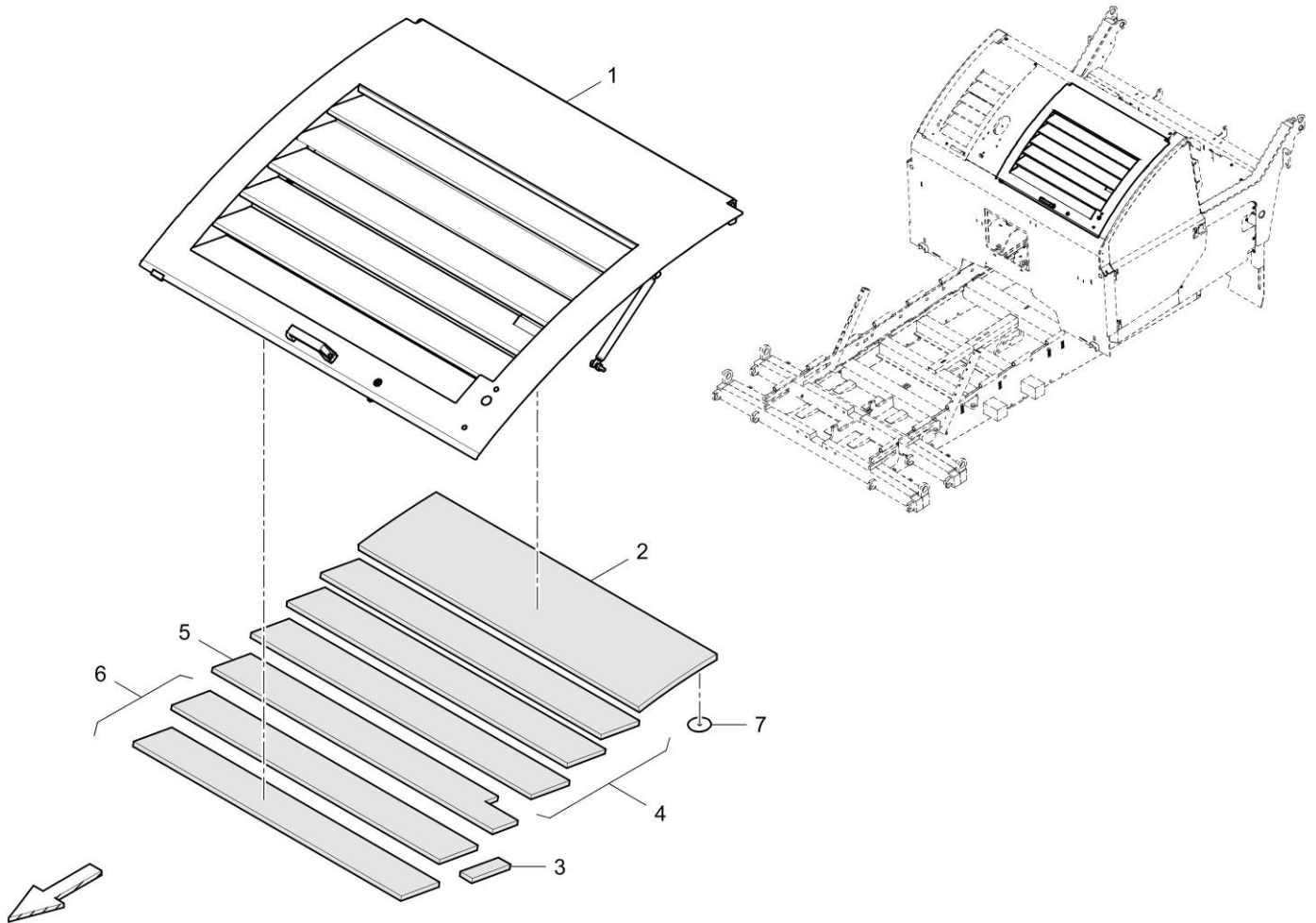
40-4812230072 Covering 40-4812226336 Door, l.h.

Item	Part No.	Name	Qty	L	C	SN INFO
1	40-4812226335	Plate	1			
2	40-4812033146	Hinge	2			
3	40-4812033152	Pin	2			
4	40-0291118802	Hexagon nut	5			
5	40-D939505023	Washer	5			
6	40-0226991529	Flat head screw	4			
7	40-D930235495	Profiled joint x m	1,1			
8	40-D930280172	Profiled joint x m	1,5			
9	40-4812041407	Support rod	1			
10	40-D953509710	Clip	1			
11	40-0301232100	Plain washer	5			
12	40-0147124403	Screw	1			
17	40-1615696703	Handle	1			
18	40-0291112854	Hexagon nut	4			
19	40-4812024627	Key	1			

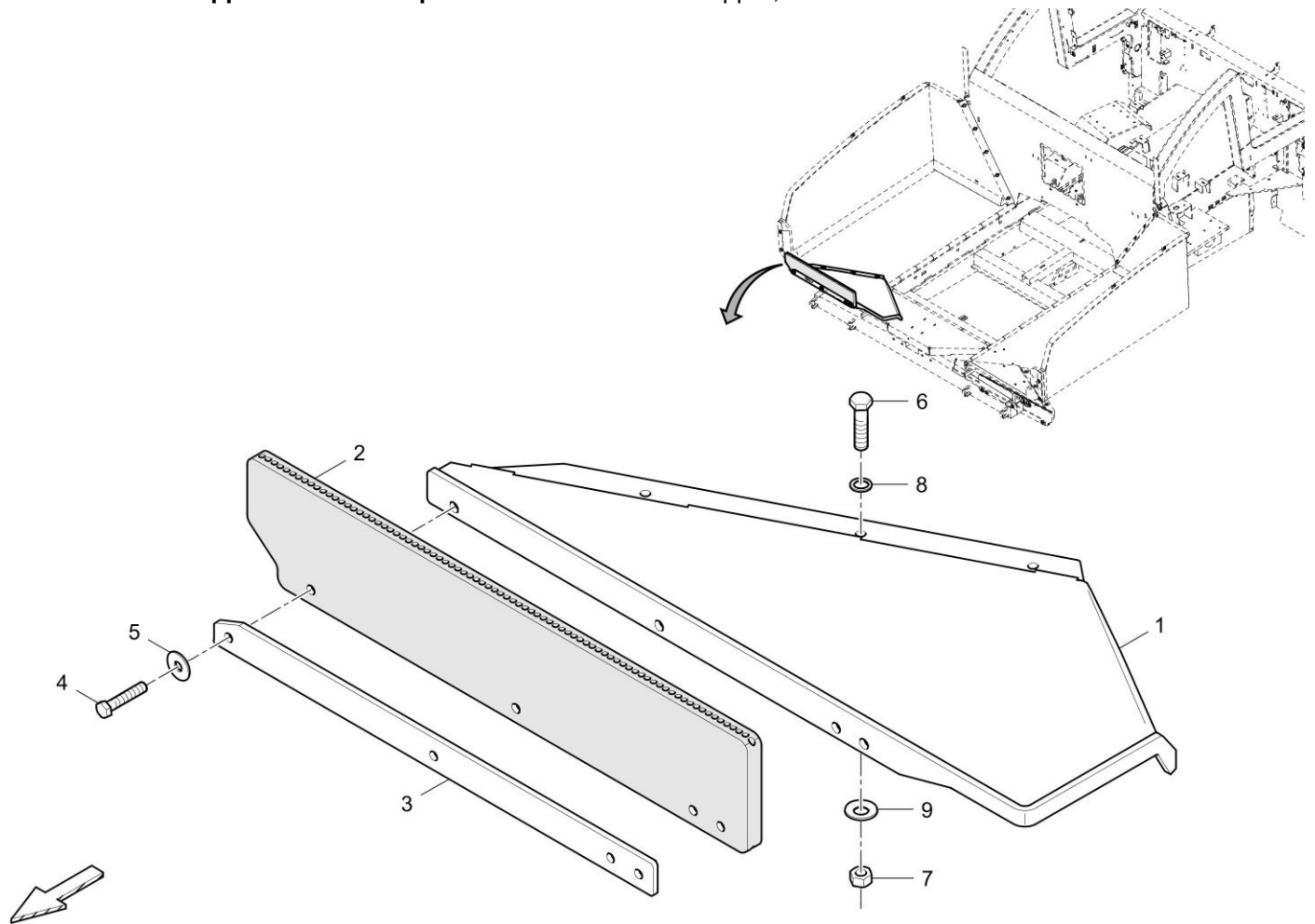
Refer to Parts Online for the most up to date information. The printed information might be outdated.

Mon Feb 26 08:41:50 UTC 2018

40-4812230072 Covering 40-4812227088 Engine hood, l.h. T4F



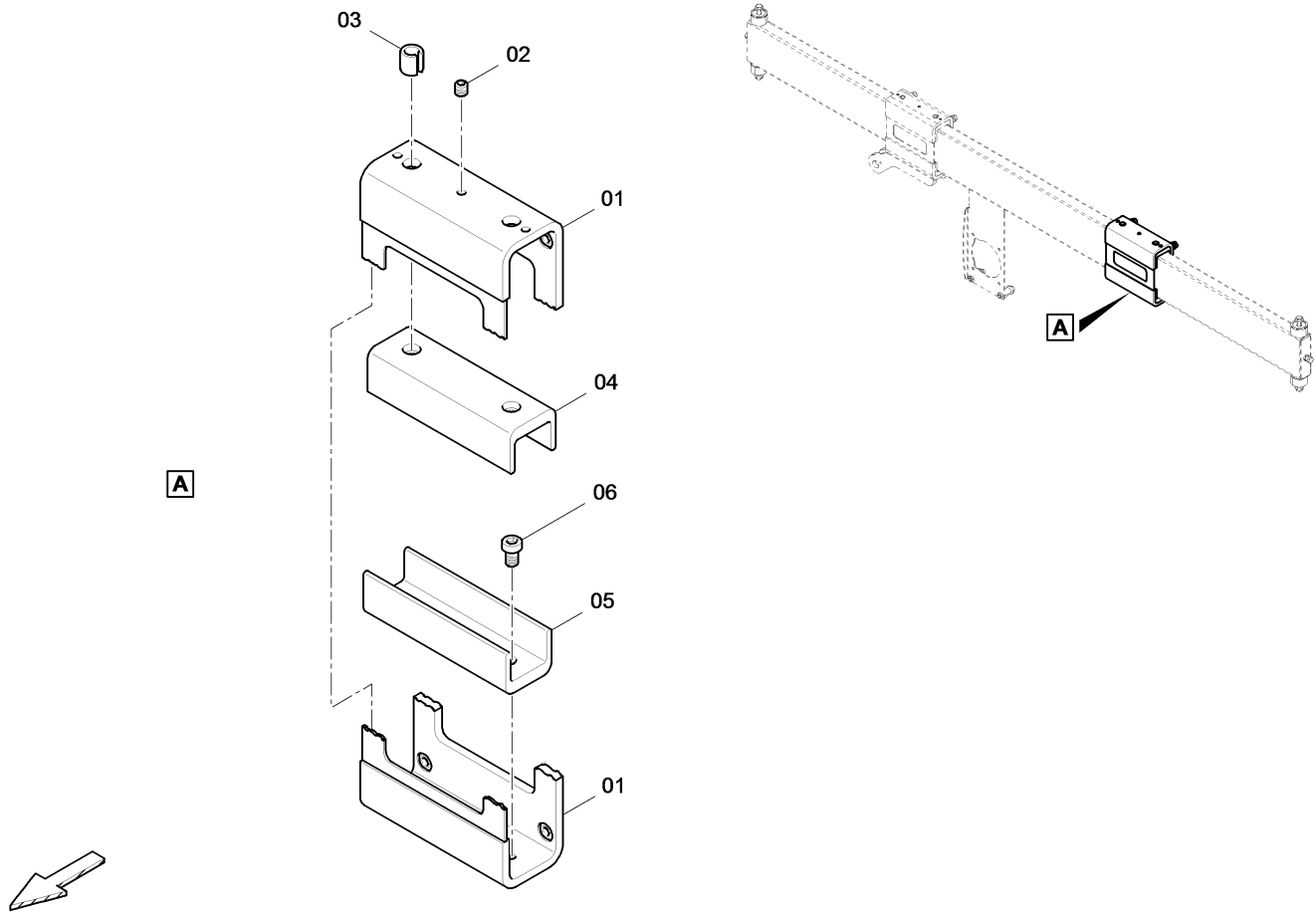
Item	Part No.	Name	Qty	L	C	SN INFO
1	40-4812227087	Hood T4F	1			
2	40-4812200635	Insulating material	1			
3	40-4812044577	Insulating material	1			
4	40-4812200636	Insulating material	3			
5	40-4812200638	Insulating material	1			
6	40-4812200637	Insulating material	2			
7	40-4749301479	Clip	4			

40-4812229146 Hopper with front flap 40-4812229147 Front hopper, r.h.

Item	Part No.	Name	Qty	L	C	SN INFO
1	40-4812229148	Bulk material flap, r.h.	1			
2	40-4812226006	Hopper rubber	1			
3	40-4812226005	Plate	1			
4	40-0147140703	Hex. head screw M12 x 60	4			
5	40-0300013042	Flat washer	4			
6	40-0147140303	Hexagon bolt	6			
7	40-0266211200	Hexagon nut M12	6			
8	40-0333310043	Schnorr-lock washer	6			
9	40-D930435674	Washer	6			

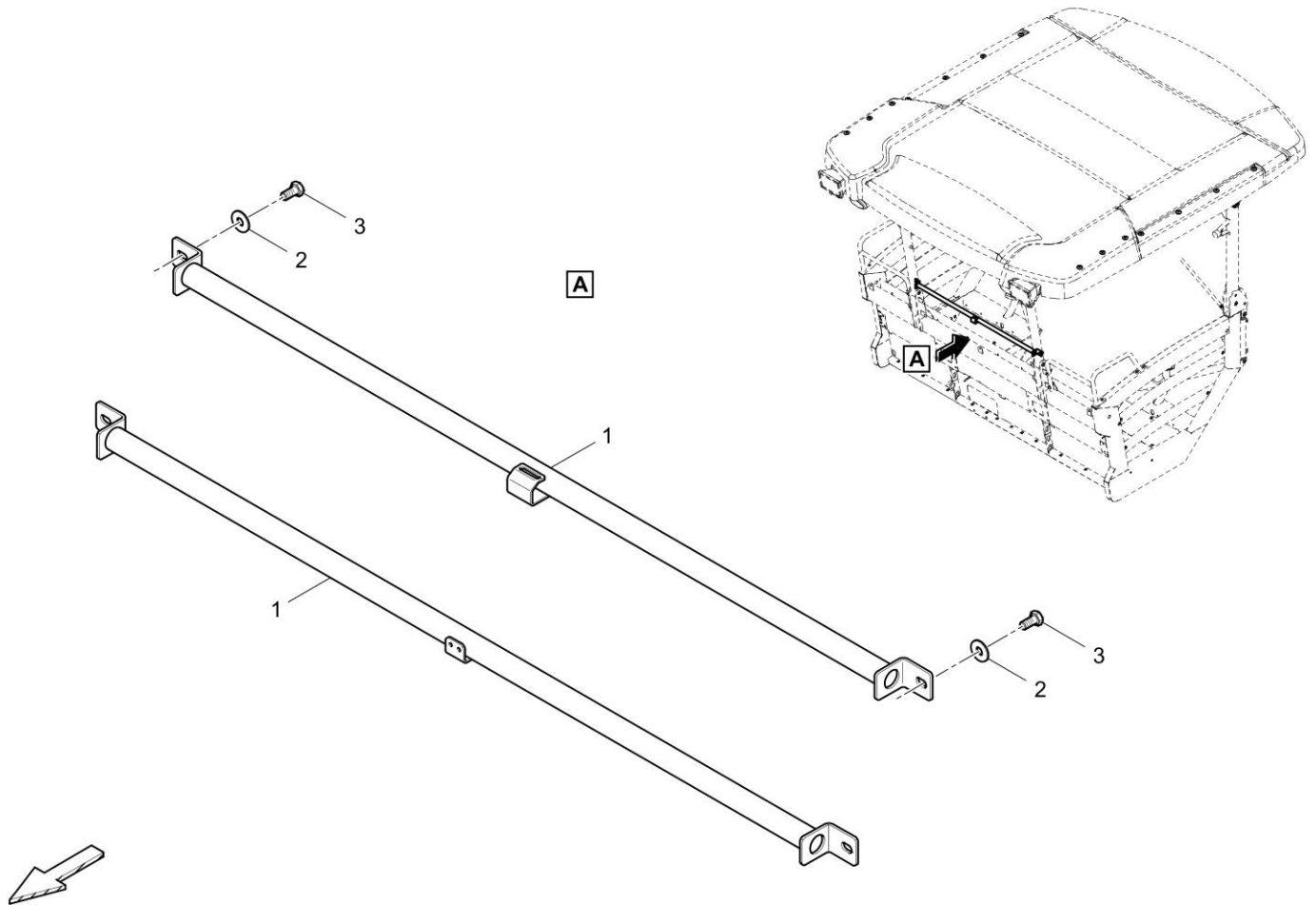
Item	Part No.	Name	Qty	L	C	SN INFO
17	40-4812008270	Sticker	1			
18	40-4812227725	Sealing cap	8			
19	40-4812014259	Plug	6			
20	40-4812017508	Plug	2			
21	40-D953509715	Clasp	4			
22	40-0301231800	Flat washer	4			
23	40-D937930170	Screw	4			

Item	Part No.	Name	Qty	L	C	SN INFO
17	40-0147132703	Hexagon bolt	2			
18	40-0291118802	Hexagon nut	2			
19	40-4812007091	Washer	1			
20	40-0216195783	Countersunk screw	4			
21	40-0147136303	Screw	7			
22	40-0302127405	Flat washer	4			
23	40-5541396800	Hexagon nut	4			
24	40-0147125103	Hex. head screw	1			
25	40-0291112854	Hexagon nut	1			
26	40-4812228345	Carrier	1			

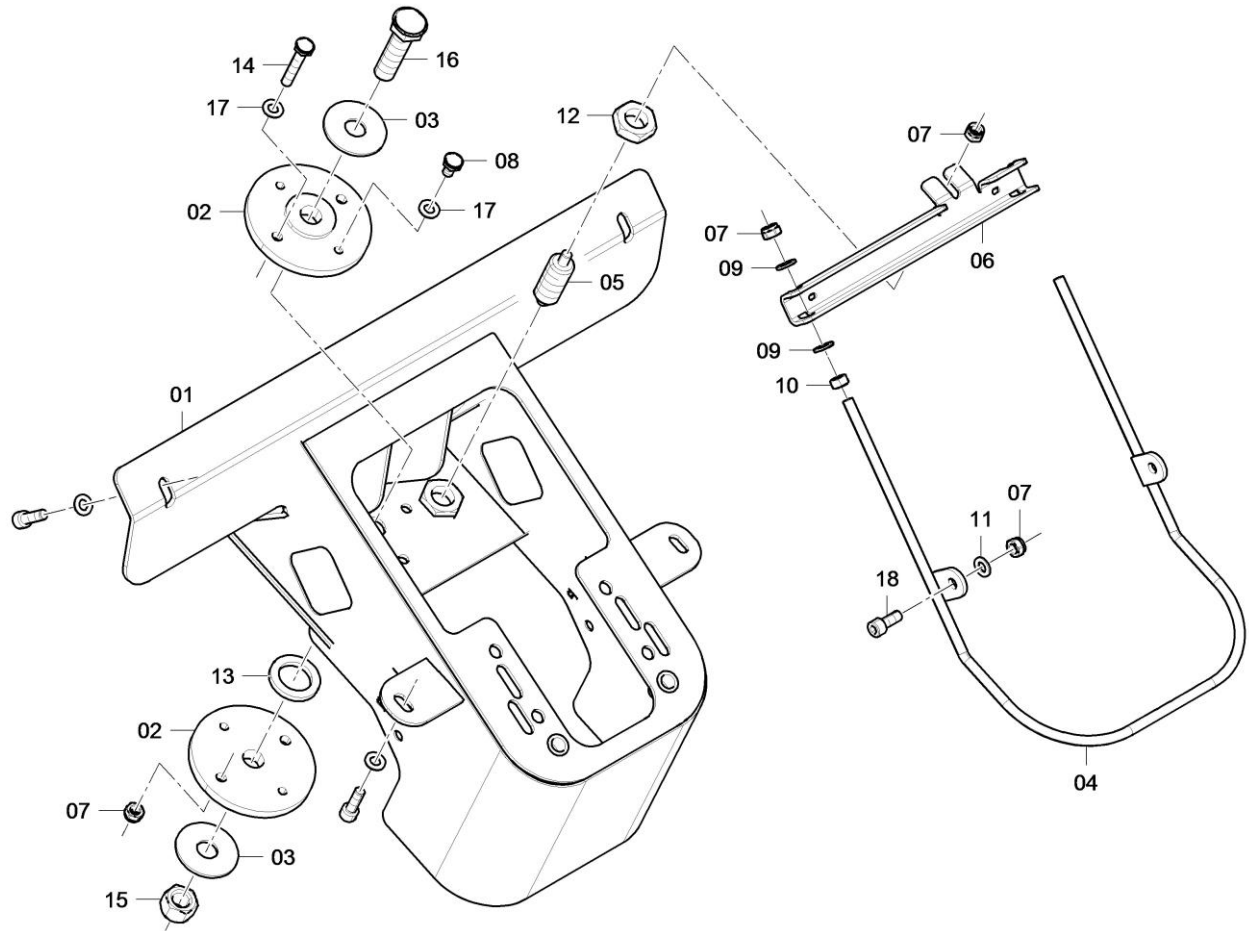
40-4812008045 Guide 40-4812008047 Guide profile r.h.

Item	Part No.	Name	Qty	L	C	SN INFO
1	40-4812008050	Guide profile r.h.	1			
2	40-4732512399	Threaded pin	3			
3	40-4812047668	Dowel pin	2			
4	40-4812008052	Slide plate, top	1			
5	40-4812008053	Slide plate, down	1			
6	40-0215001060	Hexagon socket head cap screw	2			

40-4812226122 Roof 40-4812226856 Crash protection front



Item	Part No.	Name	Qty	L	C	SN INFO
1	40-4812226855	Crash protection front	1			
1	40-4812014993	Anti-fall device	1			
2	40-D939515029	Washer	2			
3	40-0147136003	Screw cap	2			

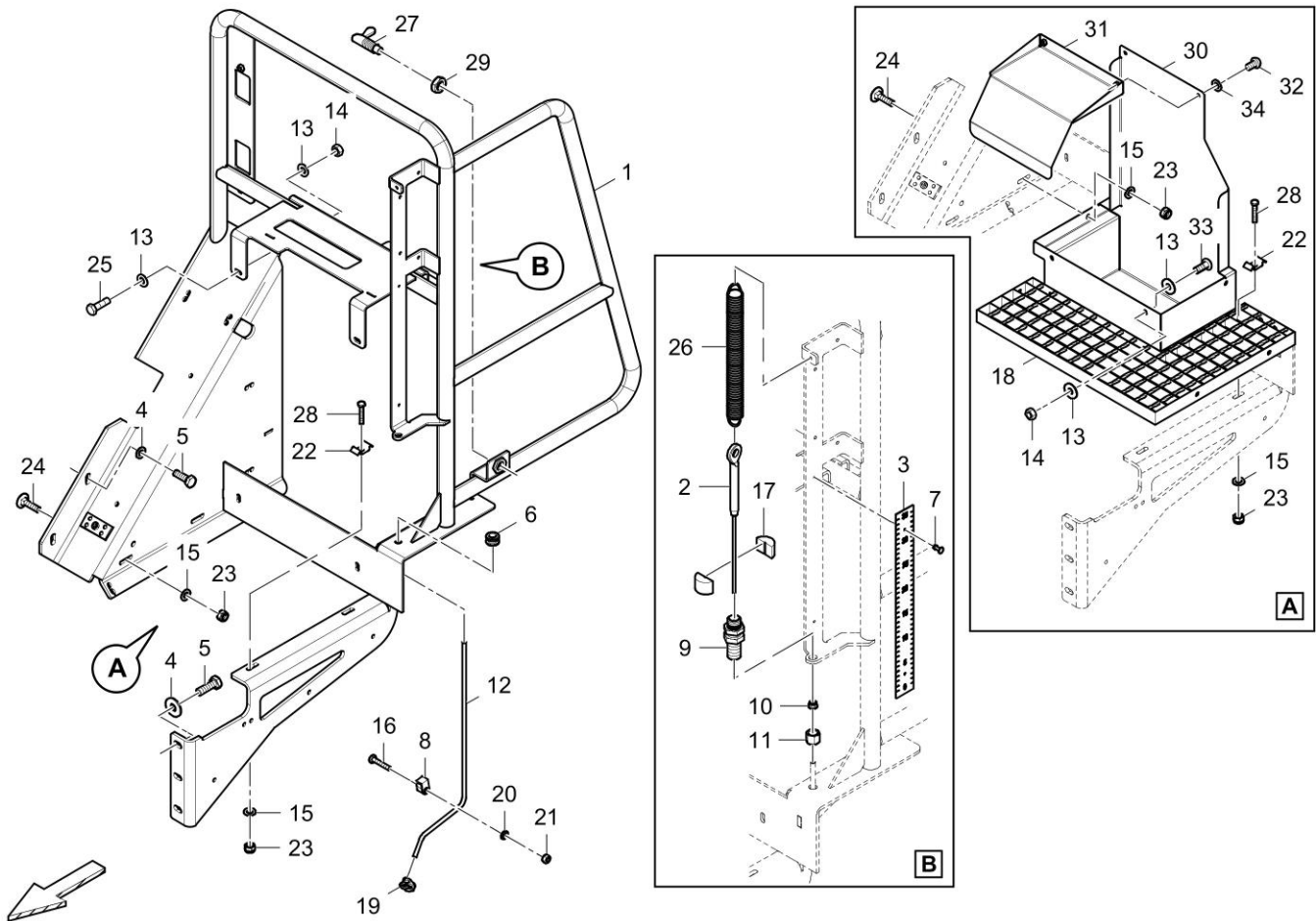
40-4812017300 Operator board 40-4812005193 Console

Item	Part No.	Name	Qty	L	C	SN INFO
1	40-4812004070	Console	1			
2	40-4812039922	Washer	2			
3	40-D939570522	Washer	2			
4	40-4812046709	Lever	1			
5	40-D930404670	Stop bolt	1			
6	40-4812046694	Carrier	1			
7	40-0291118802	Hexagon nut	7			
8	40-0147132003	Hex. head screw	2			
9	40-0301233500	Plain washer	4			
10	40-0266211000	Hexagon nut M8	2			
11	40-4812037696	Washer	2			
12	40-D937181123	Nut	1			
13	40-D938590023	Washer	1			
14	40-0147132903	Screw	2			
15	40-5730007656	Hexagon nut	1			
16	40-0147148117	Hexagon head screw	1			

Refer to Parts Online for the most up to date information. The printed information might be outdated.

Mon Feb 26 08:42:14 UTC 2018

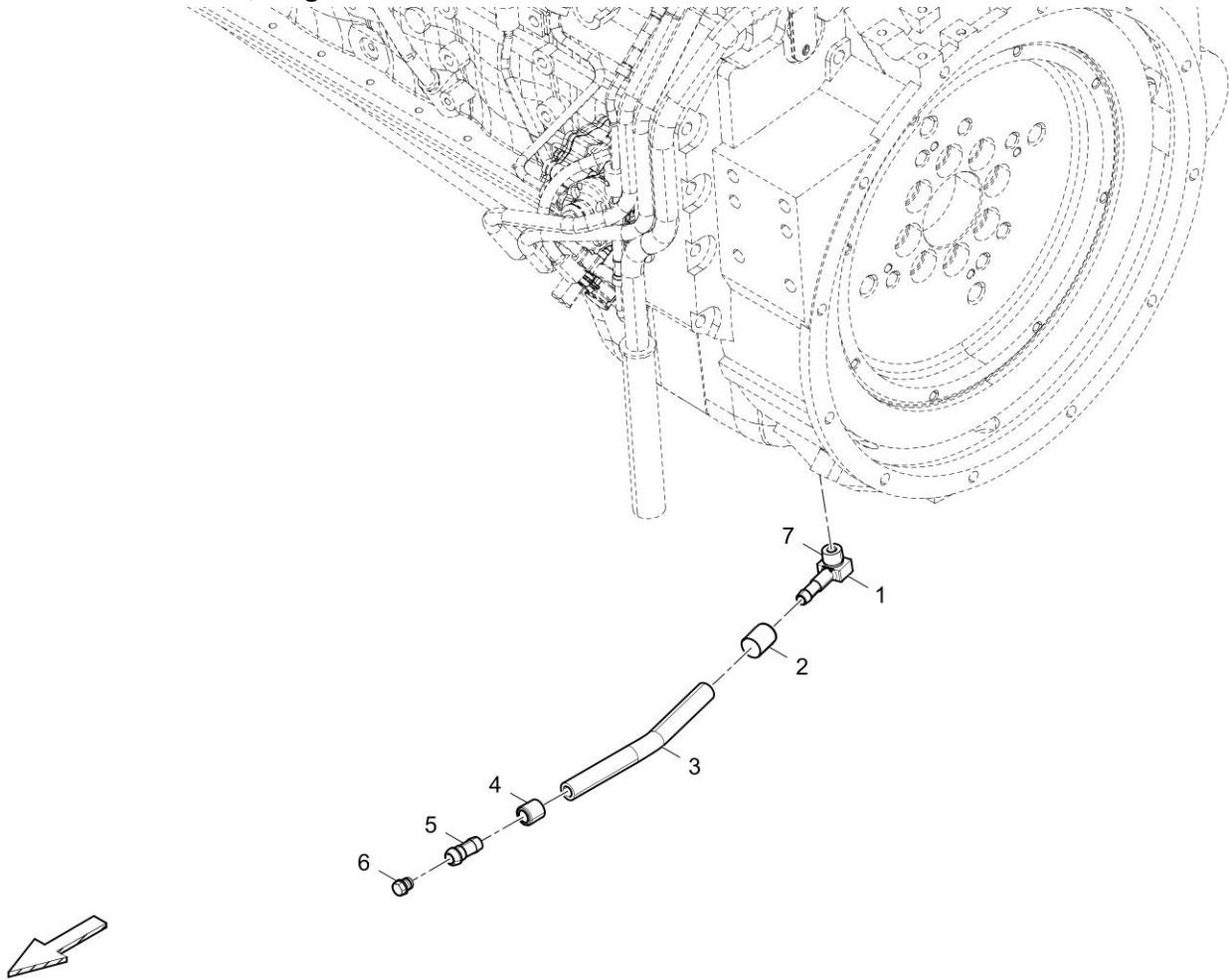
40-4812230390 Ascension f. Varioscreeed Tier4 f, for s/n 0G001606, 1621, ff 40-4812230307 Ascent r.h.



Item	Part No.	Name	Qty	L	C	SN INFO
1	40-4812226807	Ascent	1			
2	40-4812039250	Rope	1			
3	40-D990000402	Scale	1			
4	40-D939515029	Washer	5			
5	40-0147136303	Screw	5			
6	40-4812031296	Cable bushing	1			
7	40-4749302758	Blind rivet	2			
8	40-D934360025	Clamp	2			
9	40-D961906006	Straight bulkhead coupling	1			
10	40-D961102056	Olive	1			
11	40-4749220238	Nut	1			
12	40-4812013336	Pipeline	1			
13	40-D939505023	Washer	14			
14	40-0266211000	Hexagon nut M8	7			
15	40-0301233500	Plain washer	4			
16	40-5730015168	Hexagon head screw	2			

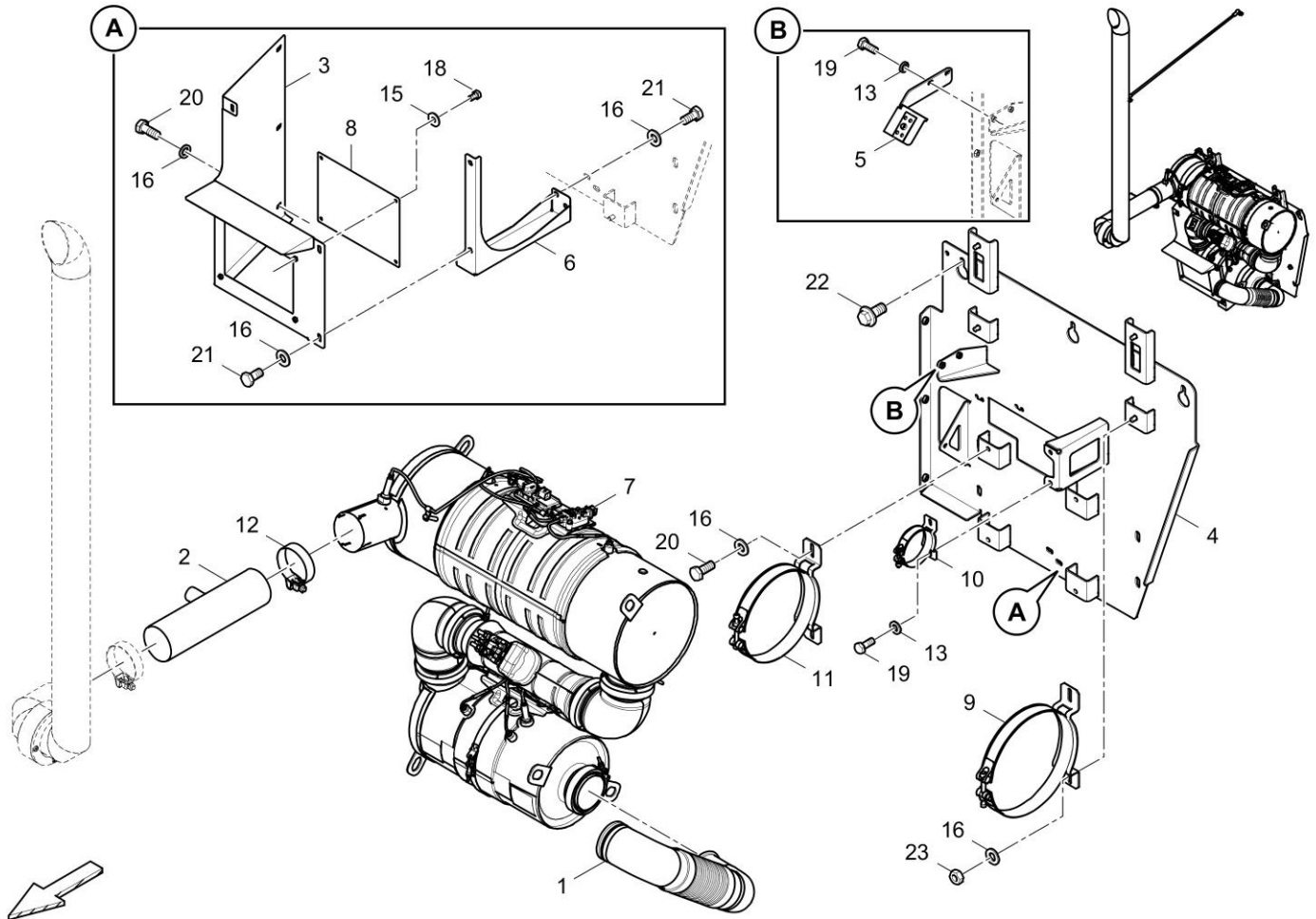
Refer to Parts Online for the most up to date information. The printed information might be outdated.

Mon Feb 26 08:42:16 UTC 2018

40-4812010282 Drive, Stage IV / Tier 4f 40-4812023352 Oil drain

Item	Part No.	Name	Qty	L	C	SN INFO
1	40-4812019720	Connecting tube	1			
2	40-D953502699	Hose cap	1			
3	40-4812023354	Hose	1	,65		
4	40-D953502701	Hose cap	1			
5	40-D953502386	Nipple	1			
6	40-4812023355	Plug	1			
7	40-4812023971	Band	0	,20		

40-4812013353 Exhaust system 40-4812013353 Exhaust system

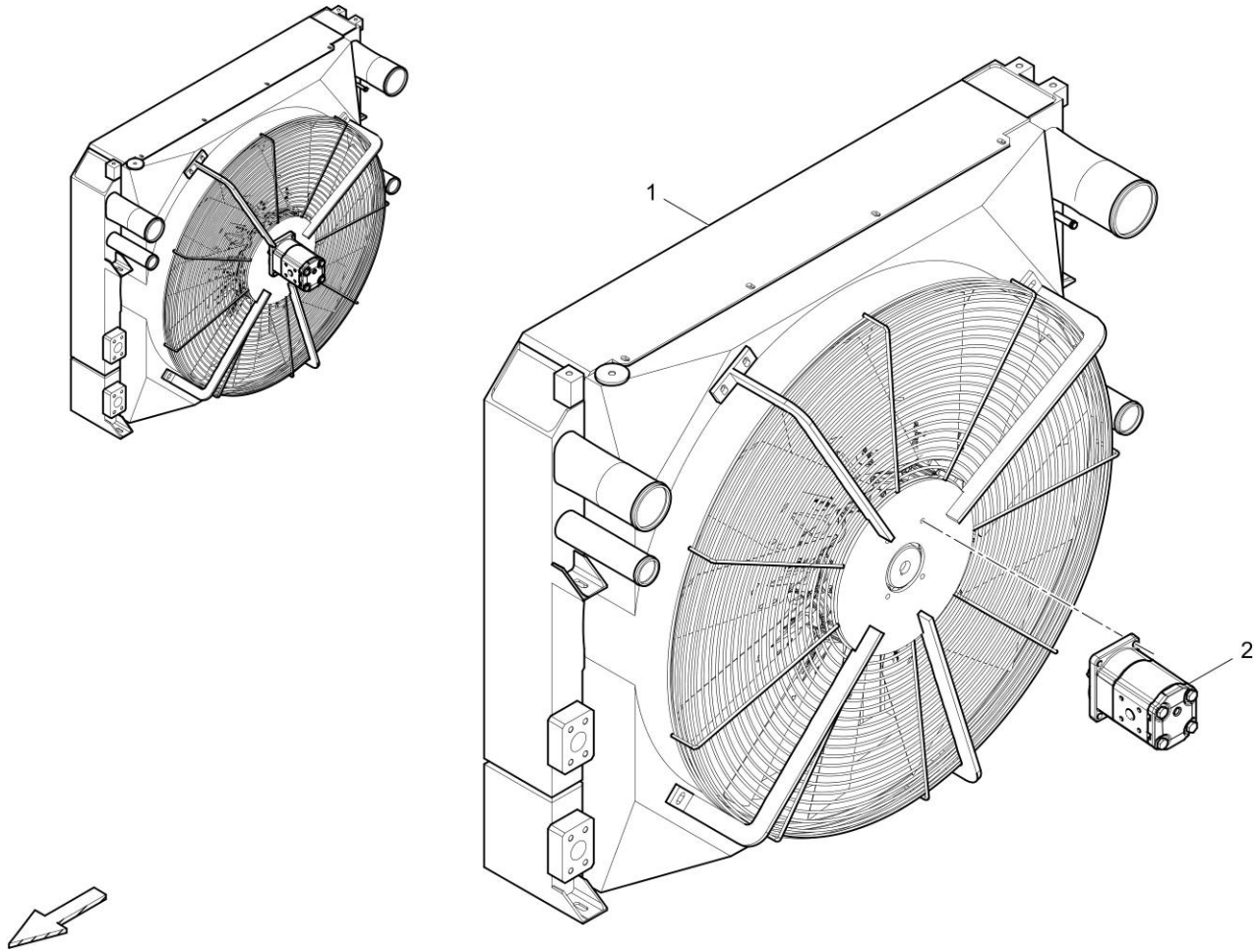


Item	Part No.	Name	Qty	L	C	SN INFO
1	40-4812229981	Joint tube	1			
2	40-4812038648	Aspirator	1			
3	40-4812229972	Covering plate	1			
4	40-4812229958	Holding device	1			
5	40-4812229978	Retainer	1			
6	40-4812229969	Holder	1			
7	40-4812230063	Aftertreatment kit	1			
8	40-4812012208	Silicone plate	1			
9	40-4812011207	Clamp	2			
10	40-4812017191	Track adjuster	1			
11	40-4812013669	Track adjuster	2			
12	40-4812015542	Clamp	1			
13	40-0333310050	Lock washer	4			
15	40-0300013041	Flat washer	4			
16	40-0333310051	Lock washer	15			
18	40-0147124303	Hexagon bolt	4			

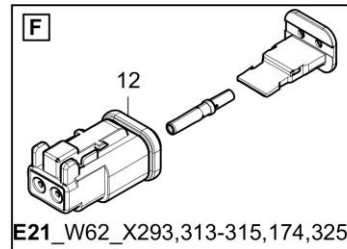
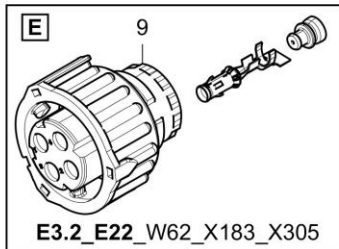
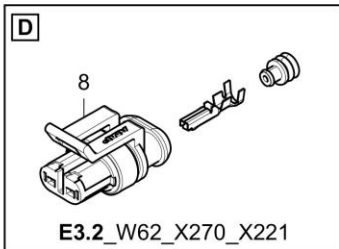
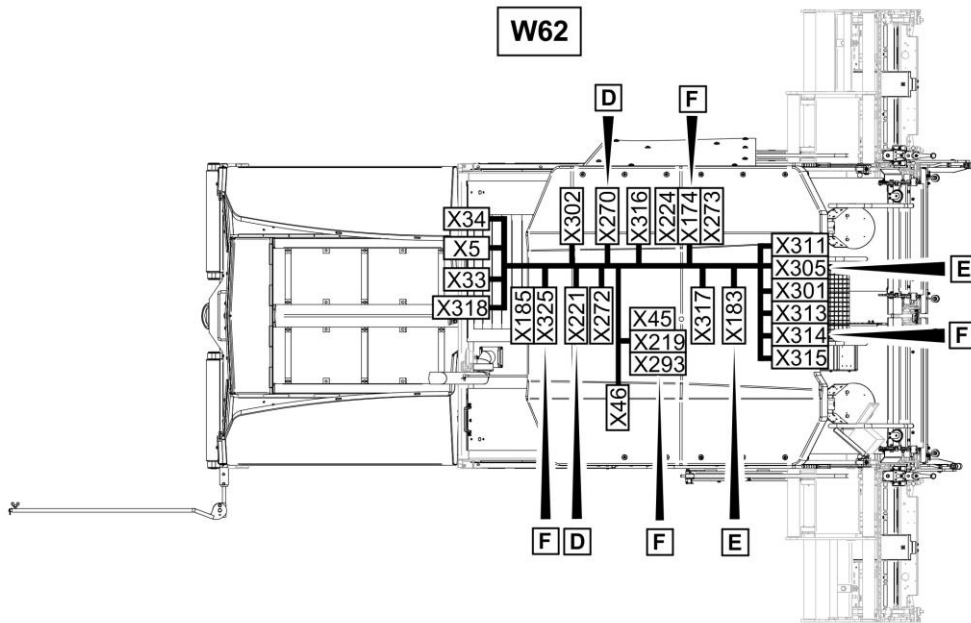
Refer to Parts Online for the most up to date information. The printed information might be outdated.

Mon Feb 26 08:42:23 UTC 2018

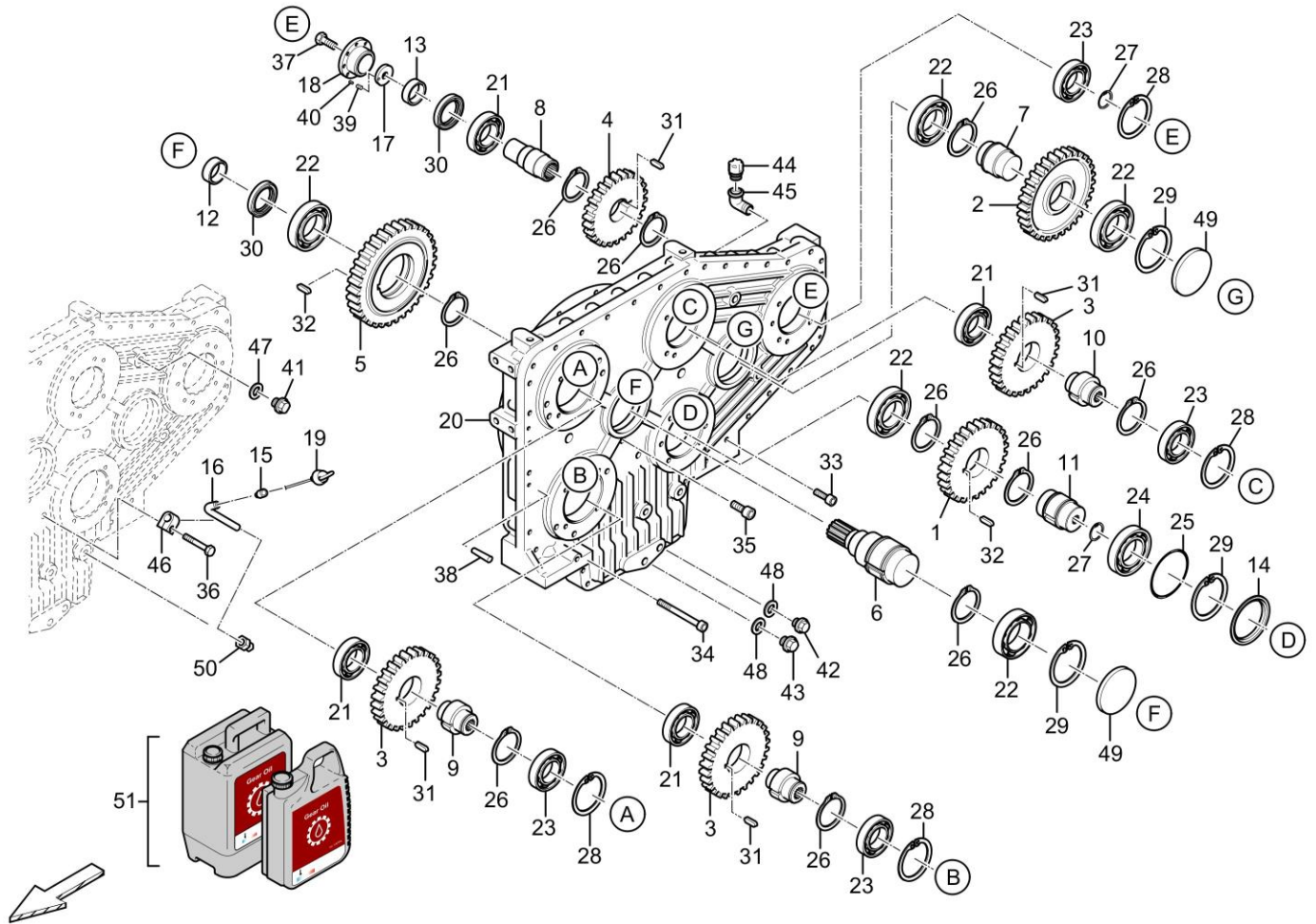
40-4812017132 Combined cooler, T4f 40-4812017106 Combined cooler



Item	Part No.	Name	Qty	L	C	SN INFO
1	40-4812016048	Combined cooler	1			
2	40-4812010473	Gear motor	1			



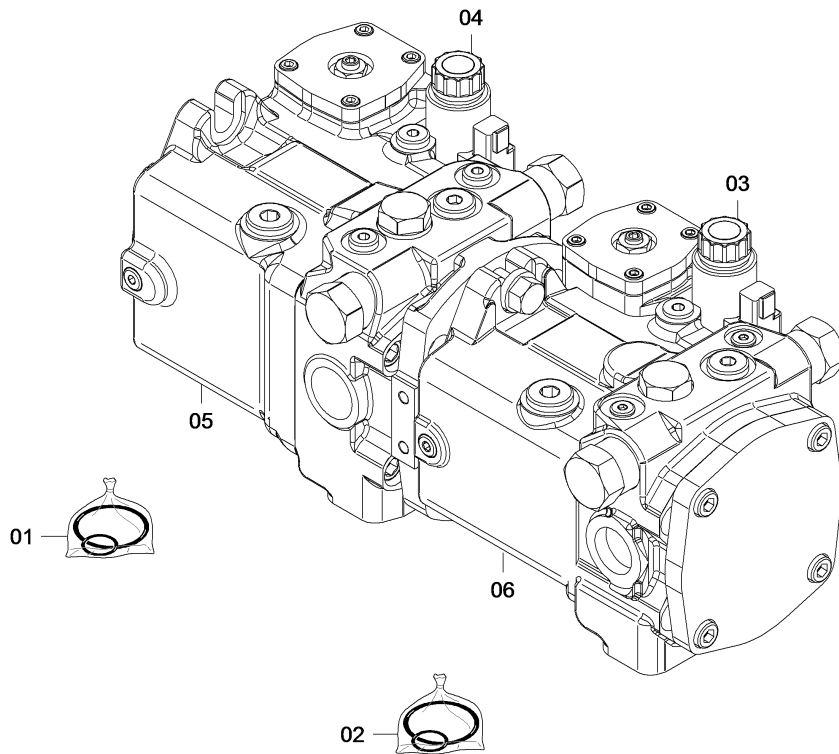
40-4812039759 Split gear 40-4812038966 Split gear



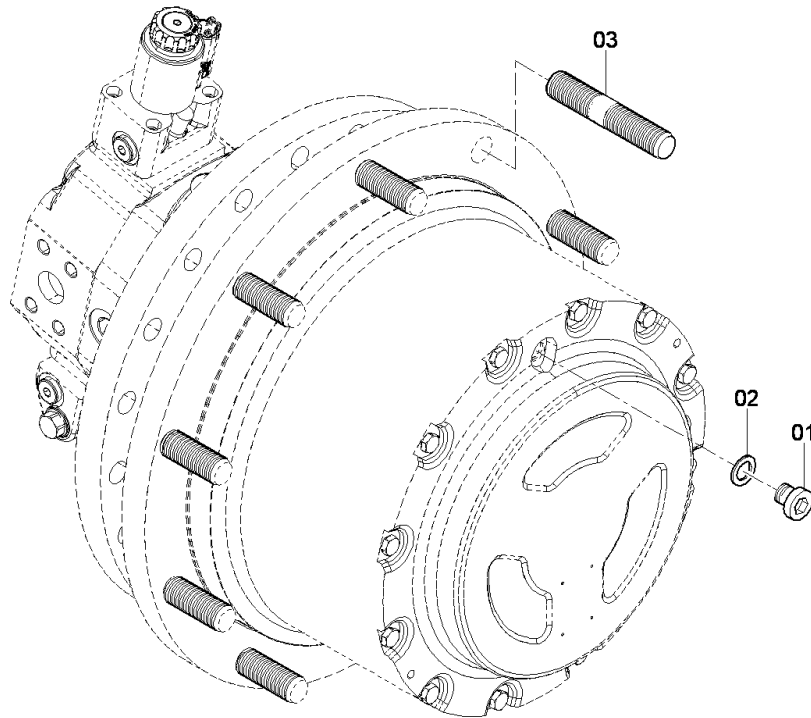
Item	Part No.	Name	Qty	L	C	SN INFO
1	40-4812035963	Spur wheel	1			
2	40-4812035964	Spur wheel	1			
3	40-4812040554	Spur wheel	3			
4	40-4812035965	Spur wheel	1			
5	40-4812040553	Spur wheel	1			
6	40-4812036840	Gear shaft	1			
7	40-4812040552	Shaft	1			
8	40-4812040551	Gear shaft	1			
9	40-4812040550	Shaft	2			
10	40-4812040549	Shaft	1			
11	40-4812040548	Shaft	1			
12	40-4812036842	Guide ring	1			
13	40-4812040547	Guide ring	1			
14	40-4812035977	Eccentric ring	1			
15	40-4812035985	Reducer	1			
16	40-4812035990	Pipe	1			

Refer to Parts Online for the most up to date information. The printed information might be outdated.

Mon Feb 26 08:42:41 UTC 2018

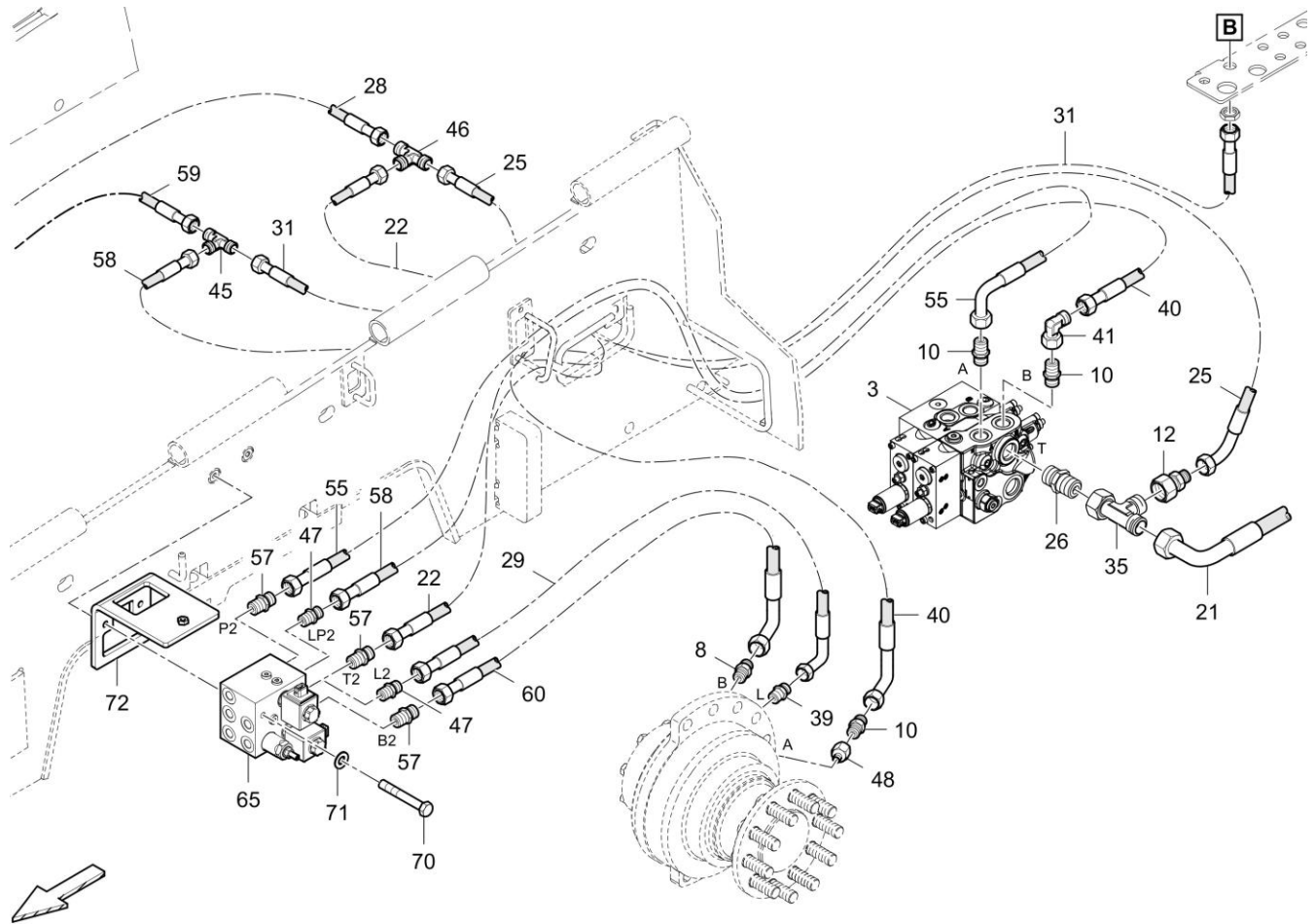
Split gear box 40-4812009370 Pump

Item	Part No.	Name	Qty	L	C	SN INFO
1	40-D967536855	Seal kit	1			
2	40-D967536874	Seal kit	1			
3	40-D967502040	Modulation control	1			
4	40-4812002474	Control module	1			
5	40-4812010011	Pump	1			
6	40-4812010010	Pump	1			

40-4812030577 Drive gear box 40-4812030384 Drive gear box

Item	Part No.	Name	Qty	L	C	SN INFO
1	40-D937880178	Plug screw	3			
2	40-D932702333	Seal ring	3			
3	40-4812040807	Bolt	10			

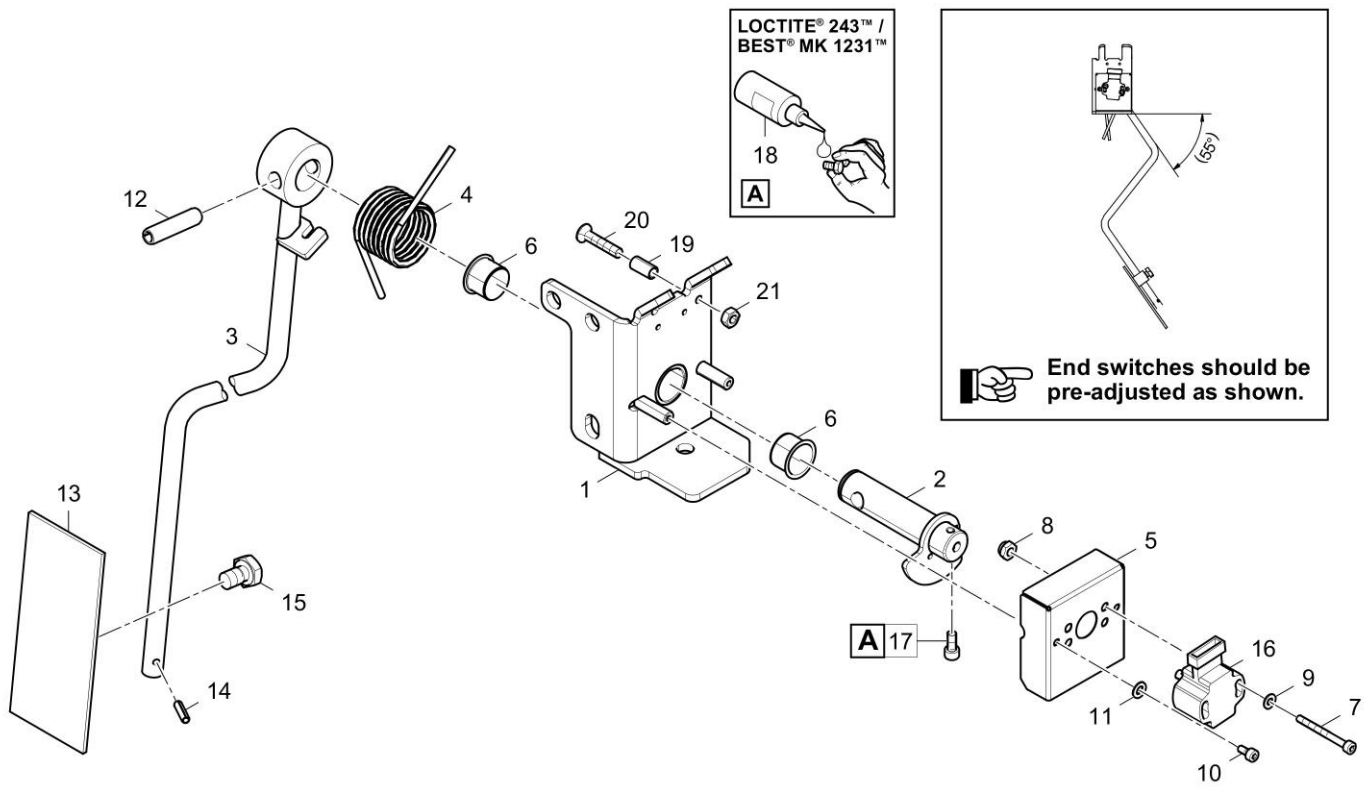
Item	Part No.	Name	Qty	L	C	SN INFO
18	40-4749901812	Plug screw	2			
19	40-4749901830	Locking washer	4			
20	40-D656030225	Track rod	1			
21	40-4749300080	Rod end	5			
22	40-4749302574	Rod end	5			
23	40-0261109930	Hexagon nut	5			
24	40-0261109966	Hexagon nut	5			
25	40-D936780017	Locking plate	10			
26	40-0223400069	Fitting screw	6			
27	40-D656030226	Track rod	2			
28	40-0223400070	Fitting screw	4			
29	40-D656030227	Track rod	2			
30	40-D935511210	Grease nipple	2			
31	40-D930298510	Pipe x m	1,6			
32	40-D961134205	Screwing	2			
33	40-D960969150	Hose mounting	2			
34	40-D960961549	Nut	2			
35	40-D935511250	Grease nipple	2			
36	40-D960993150	Joint section	2			
37	40-D936002194	Circlip	2			
38	40-4812040899	High temperature grease	0,03			



Refer to Parts Online for the most up to date information. The printed information might be outdated.
 Mon Feb 26 08:42:59 UTC 2018

Item	Part No.	Name	Qty	L	C	SN INFO
17	40-0196147100	Threaded pin	4			
18	40-4747400034	Thread locking	0,1			
19	40-4812040899	High temperature grease	0,3			
20	40-D937934506	Cylinder screw	2			

Conveyor limit switch, I.h. 40-4812024837 Conveyor limit switch PLC, I.h.

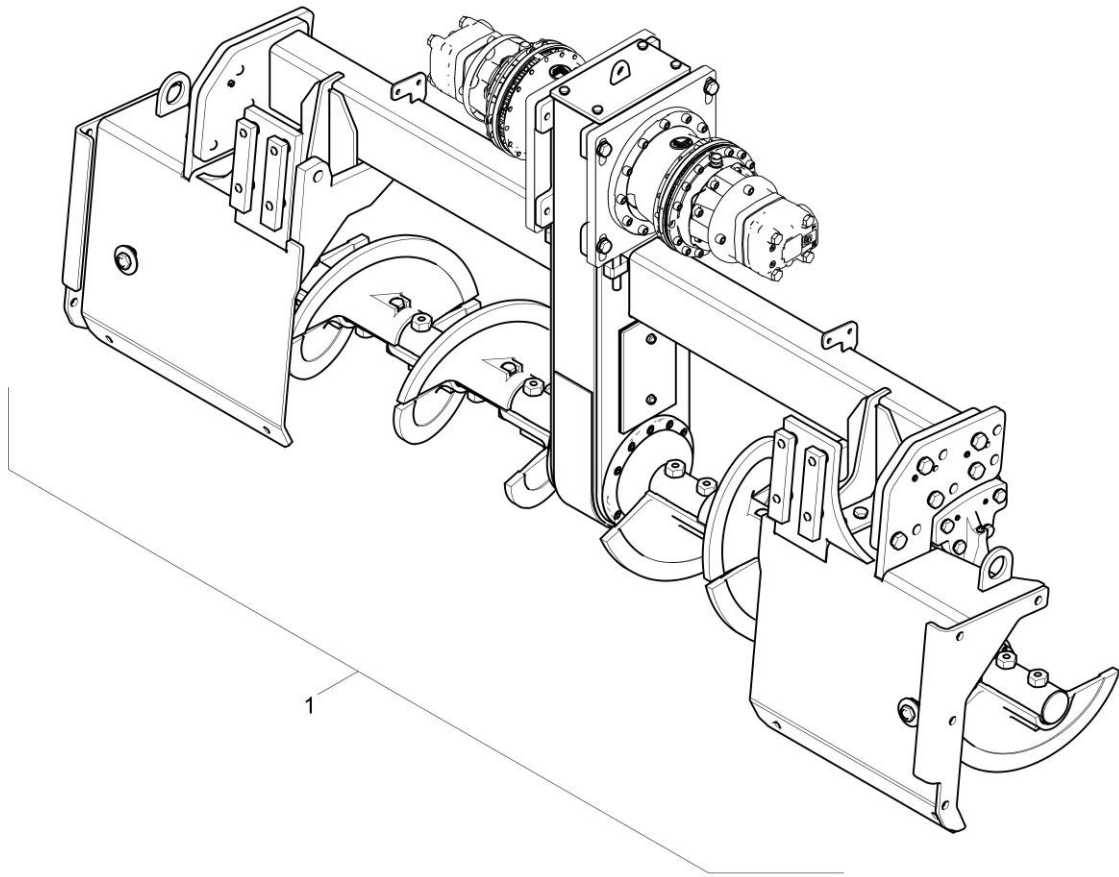


Item	Part No.	Name	Qty	L	C	SN INFO
1	40-4812229128	Retainer	1			
2	40-4812226063	Shifting shaft	1			
3	40-4812230197	Lever	1			
4	40-4812041492	Spring	1			
5	40-4812014693	Cover	1			
6	40-4812014318	Friction bearing	2			
7	40-D937930175	Cylinder screw	2			
8	40-0291118503	Hexagon nut	2			
9	40-0301231800	Flat washer	2			
10	40-0211116903	Screw	2			
11	40-4749900492	Shake-proof washer	2			
12	40-D931501324	Dowel pin	1			
13	40-4812033791	Stop plate	1			
14	40-4700629008	Dowel pin	1			
15	40-0147135903	Hexagon bolt	1			
16	40-4812014483	Angle sensor	1			

Refer to Parts Online for the most up to date information. The printed information might be outdated.

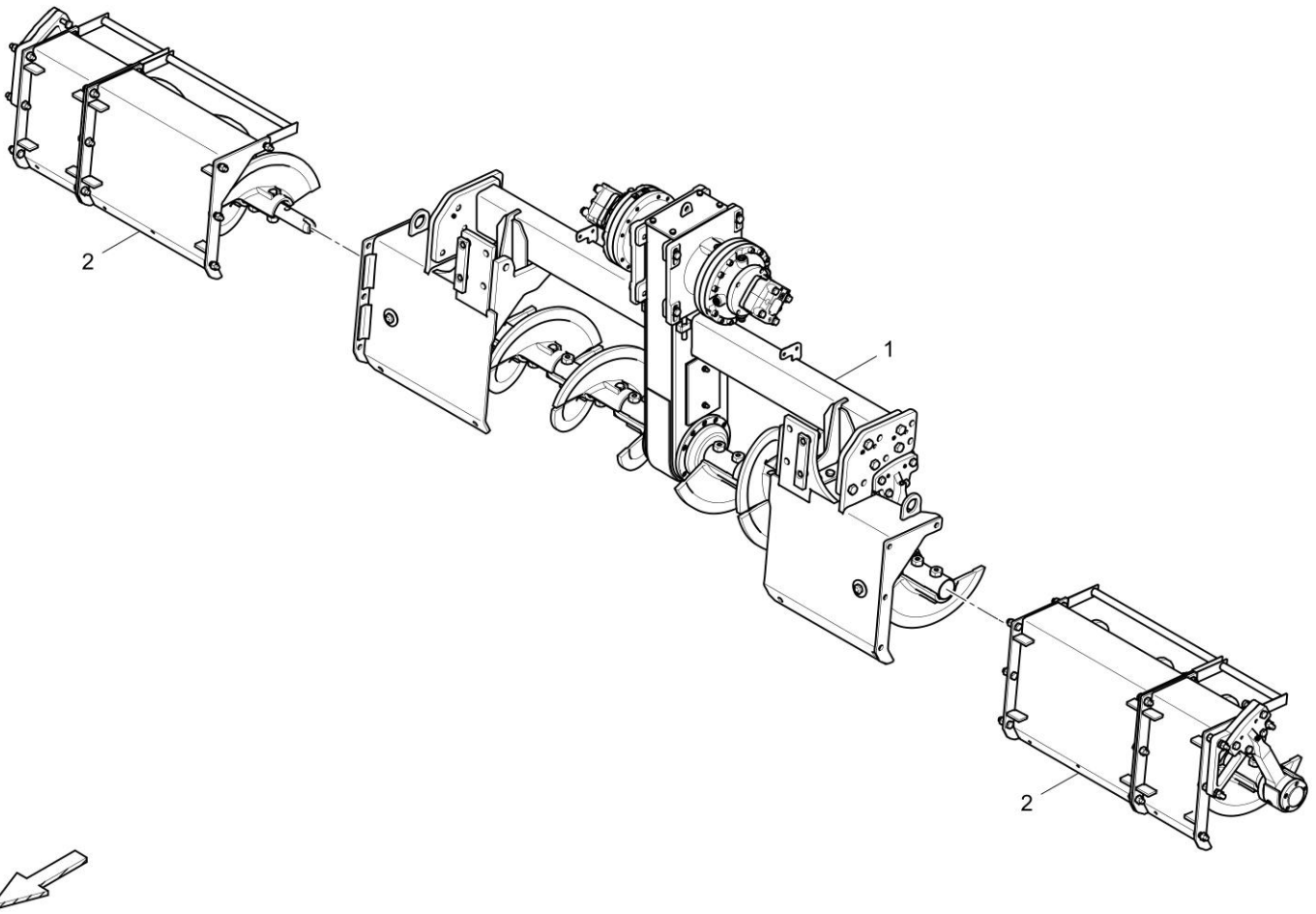
Mon Feb 26 08:43:07 UTC 2018

40-4812233025 Auger Ø380mm, 2,50m 40-4812233025 Auger Ø380mm, 2,50m



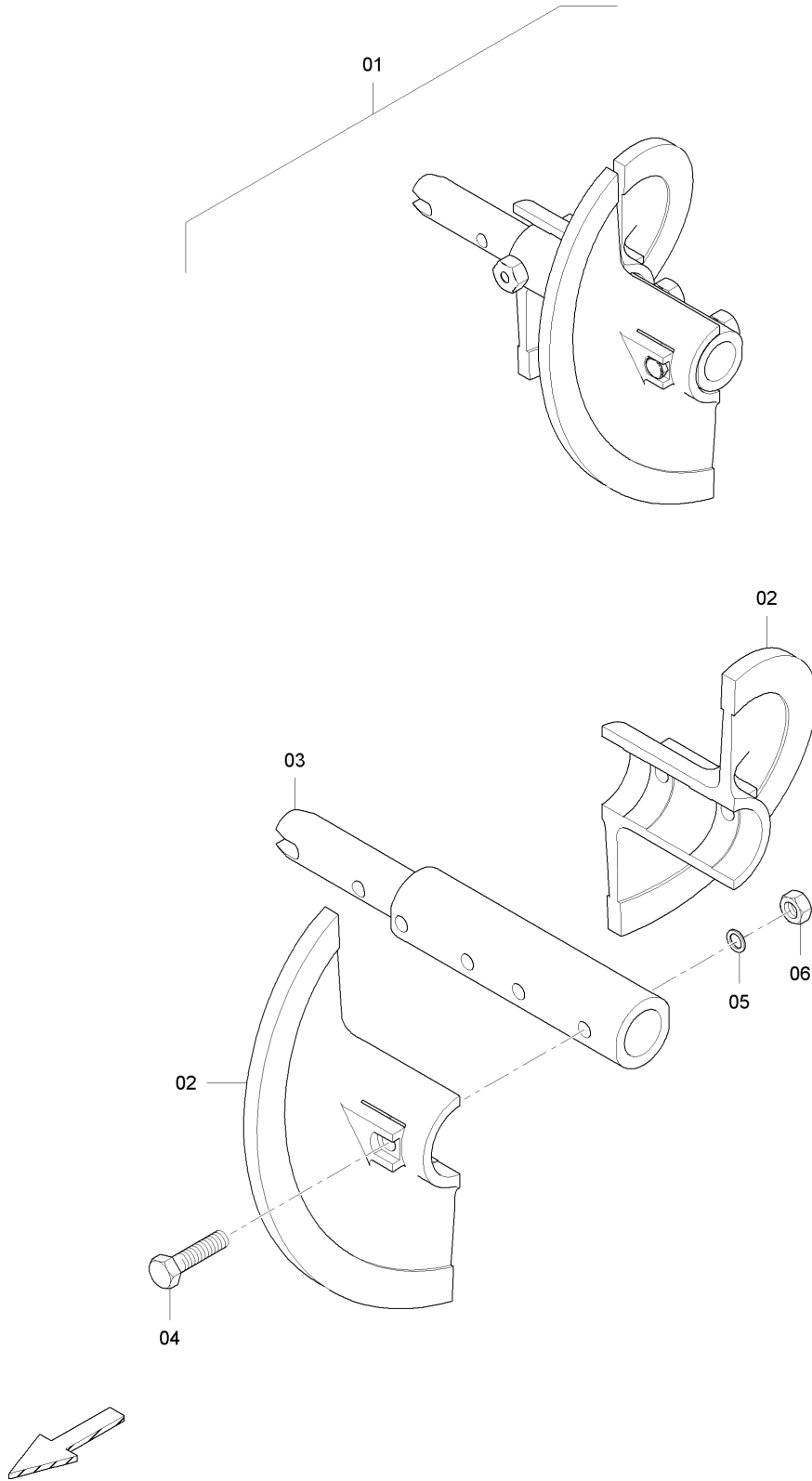
Item	Part No.	Name	Qty	L	C	SN INFO
1	40-4812233020	Auger Ø380mm, basic width	1			

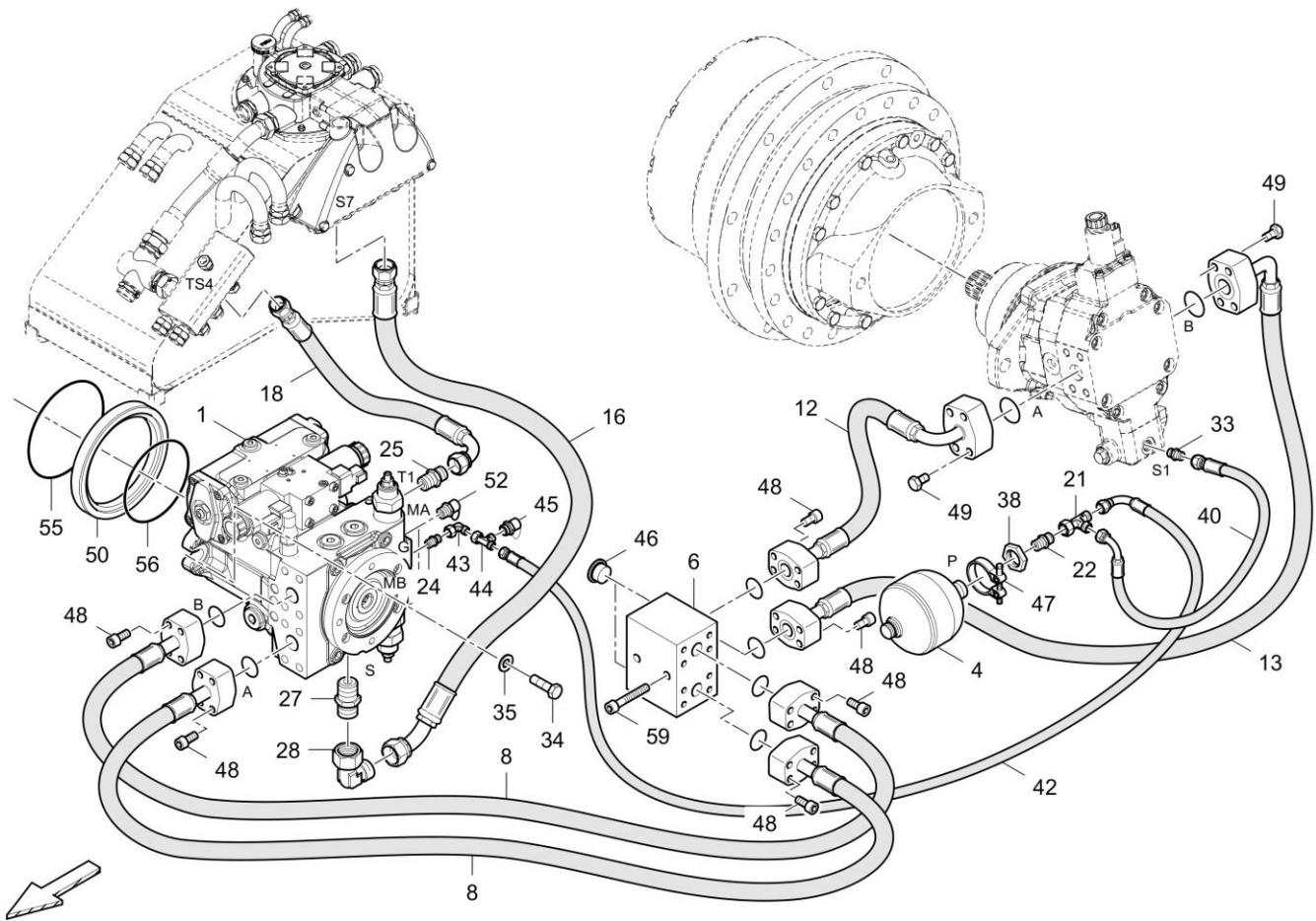
40-4812233037 Auger Ø380mm, 4.42m 40-4812233037 Auger Ø380mm, 4.42m



Item	Part No.	Name	Qty	L	C	SN INFO
1	40-4812233020	Auger Ø380mm, basic width	1			
2	40-4812047192	Extension part f. auger Ø380mm	1			

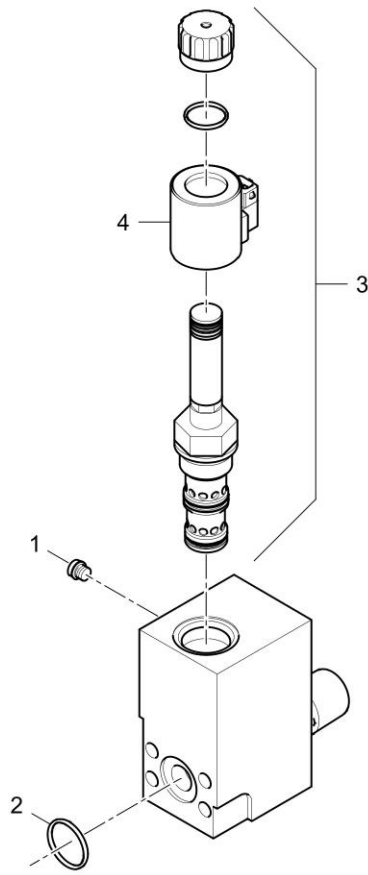
40-4812032184 Auger Ø380mm, 4,42m 40-4720000140 Auger shaft extension assy. 320 mm l.h./lks.



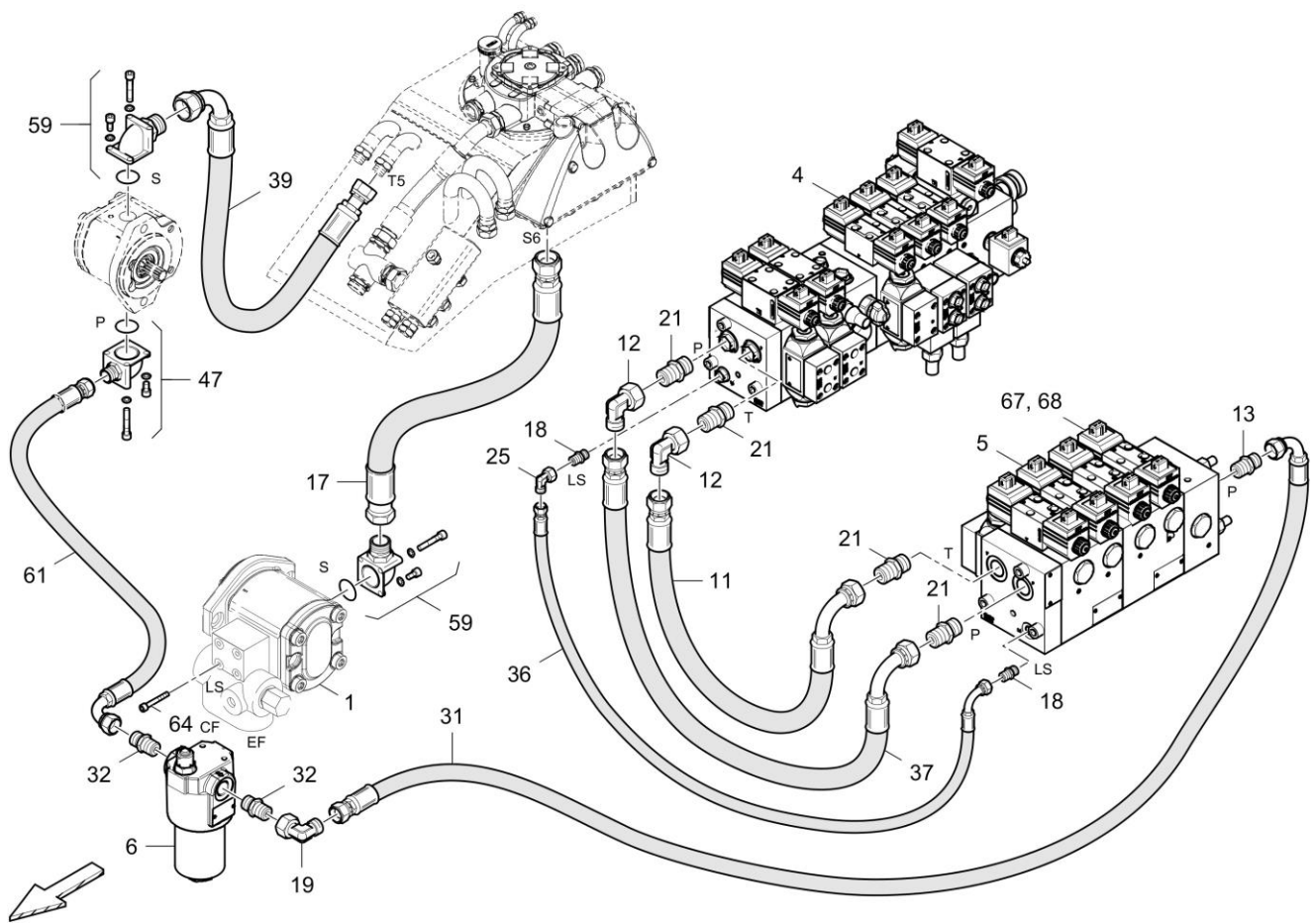


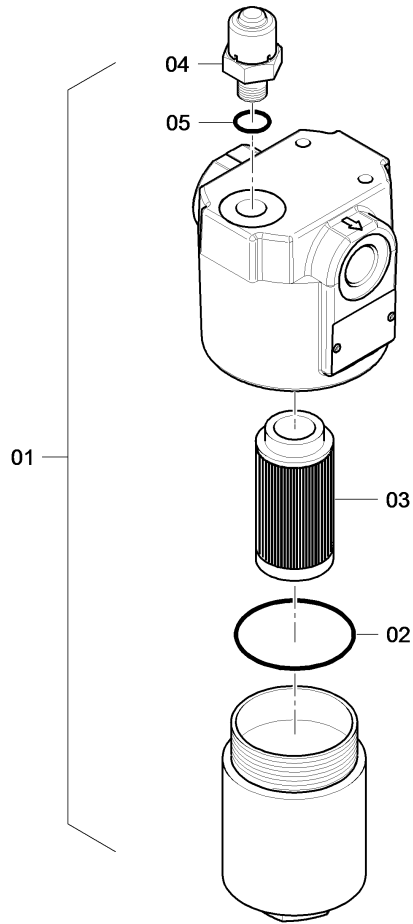
Refer to Parts Online for the most up to date information. The printed information might be outdated.
 Mon Feb 26 08:43:21 UTC 2018

Item	Part No.	Name	Qty	L	C	SN INFO
44	40-D961919006	Stud	2			
45	40-D961772635	Test point	2			
46	40-4812044134	Plug screw	4			
47	40-D934366015	Clamp	2			
48	40-0211110442	Hexagon socket head cap screw	48			
49	40-0147110962	Hexagon head screw	16			
50	40-4812031893	Adapter	2			
51	40-4812034240	Retainer	1			
52	40-D961772668	Test point	4			
53	40-0147136203	Hex. head screw M10 x 25	6			
54	40-4812014904	Hose	1			
55	40-4812031888	O-ring	2			
56	40-D932218258	O-ring	2			
57	40-4812034336	Retainer	2			
58	40-0333310024	Washer	6			
59	40-0211196474	Hexagon socket head cap screw	4			
60	40-D961183613	Reducing socket	1			
61	40-0147132503	Hex. Head screw M8 x 25	4			
62	40-0301233500	Plain washer	4			
63	40-4812016766	Valve for hand brake	1			
63.1	40-4812036469	Coil	1			
63.2	40-4812035358	Valve	1			

40-4812018465 Hydraulic, conveyer 40-4812010000 Flow control valve

Item	Part No.	Name	Qty	L	C	SN INFO
1	40-4812041641	Nozzle	1			
2	40-4812036186	O-ring	1			
3	40-4812215788	Flow control valve	1			
4	40-4812036185	Coil	1			



40-4812018466 Hydraulic, work hydraulic 40-4812044338 Filter

Item	Part No.	Name	Qty	L	C	SN INFO
1	40-4812044338	Filter	1			
2	40-D932213784	O-ring	1			
3	40-4812018071	Filter element	1			
4	40-4812046058	Maintenance indicator	1			
5	40-4812046059	O-ring	1			

Referenced Pages

40-4812044338 Filter 316

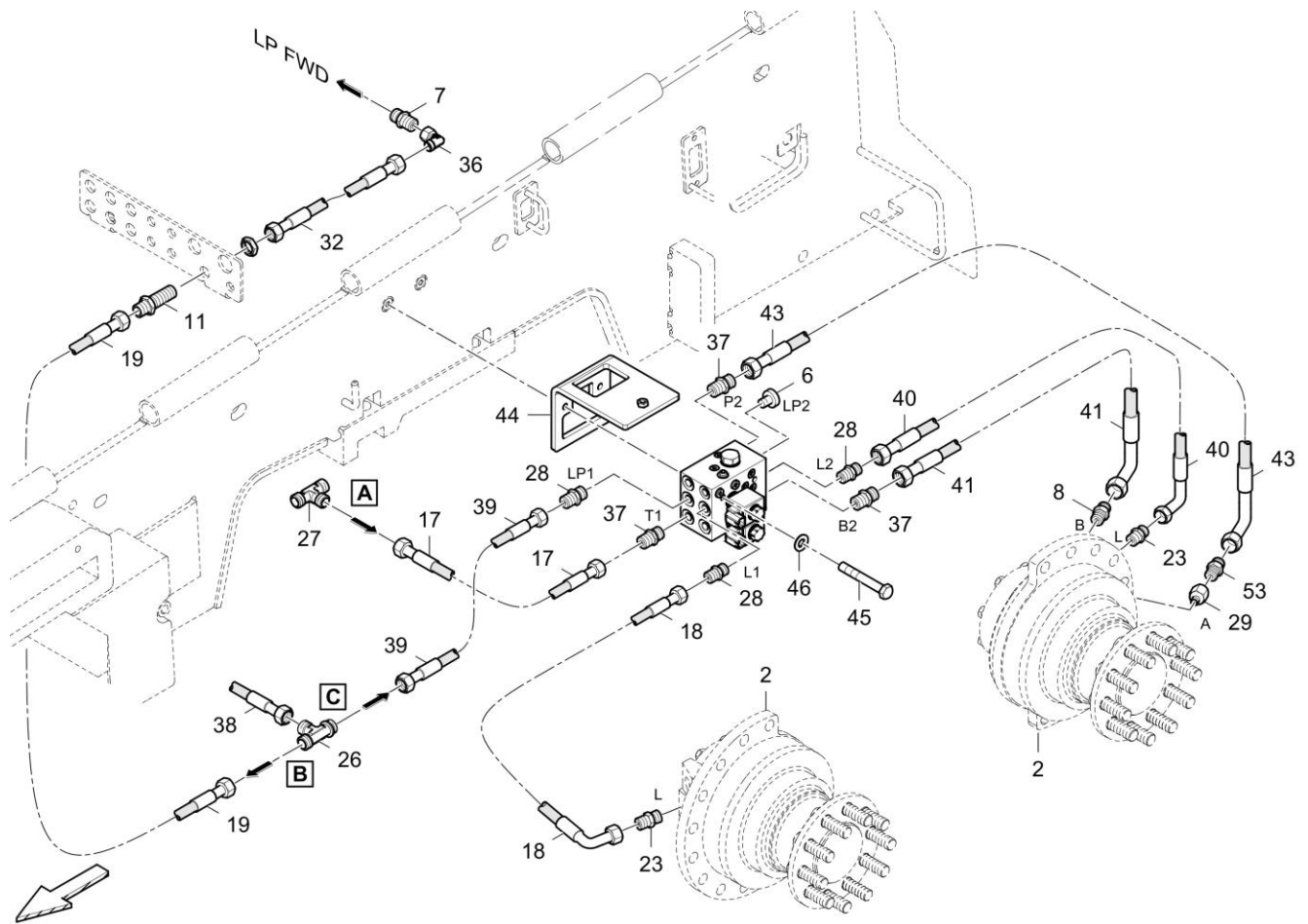
CLICK HERE TO **DOWNLOAD** THE COMPLETE MANUAL

- Thank you very much for reading the preview of the manual.
- You can download the complete manual from: www.heydownloads.com by clicking the link below



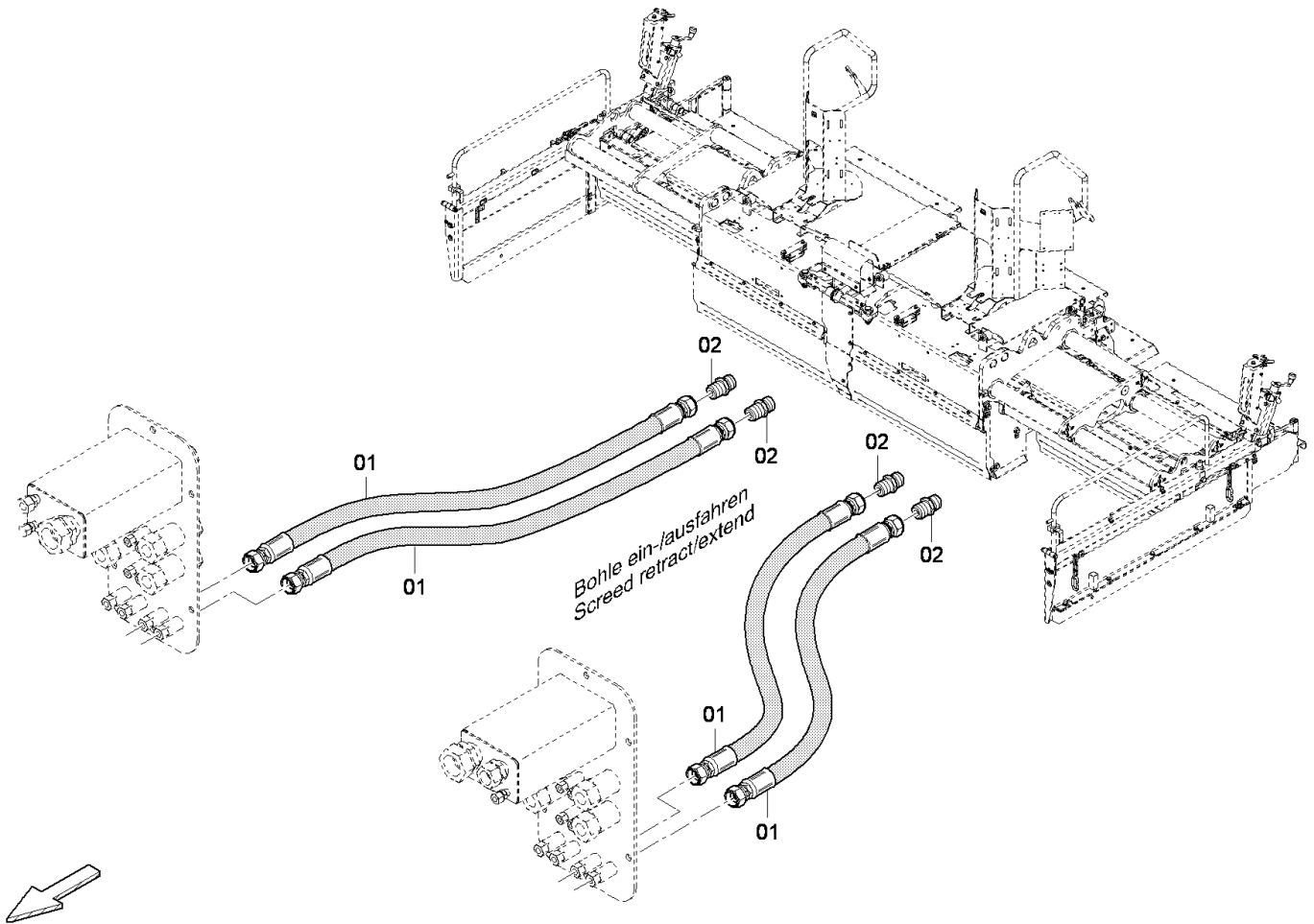
- Please note: If there is no response to CLICKING the link, please download this PDF first and then click on it.

CLICK HERE TO **DOWNLOAD** THE COMPLETE MANUAL

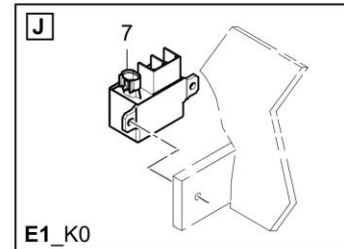
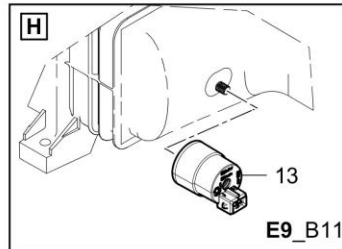
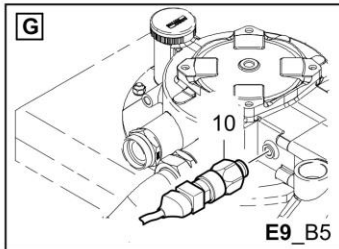
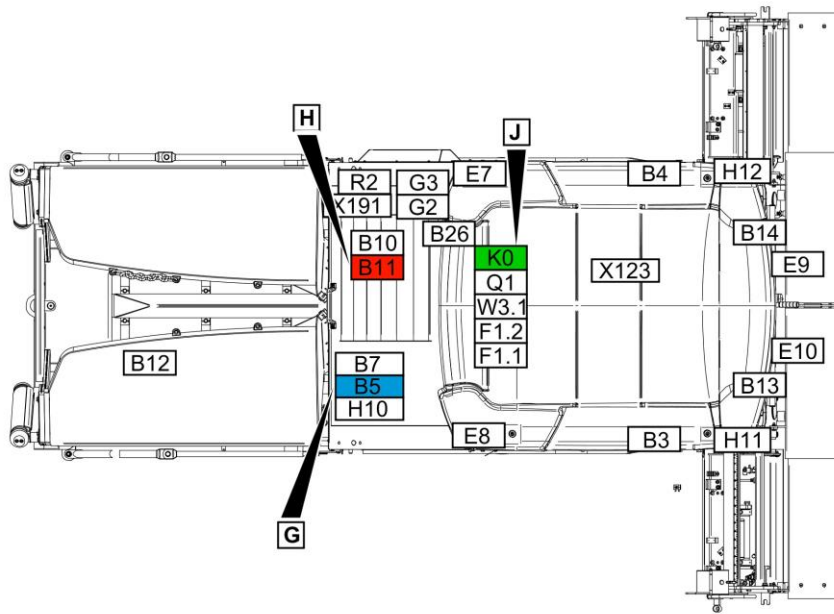


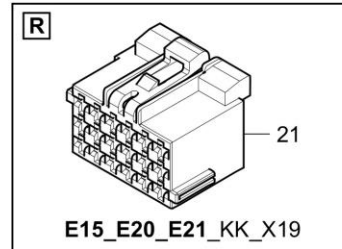
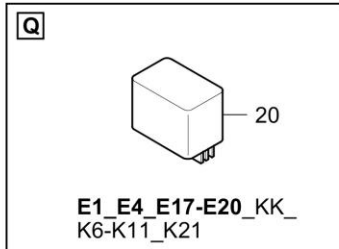
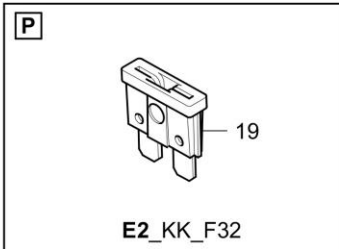
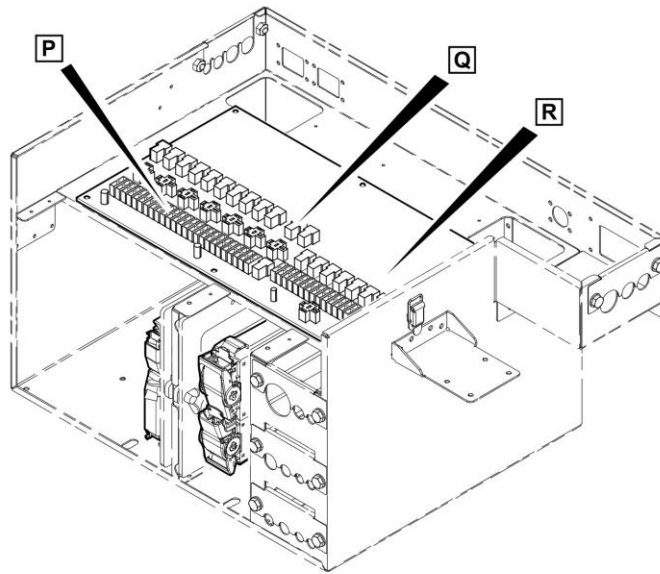
Refer to Parts Online for the most up to date information. The printed information might be outdated.
 Mon Feb 26 08:43:46 UTC 2018

40-4812035032A Hose package screed 616 / 617 40-4812036460 Screed in / out

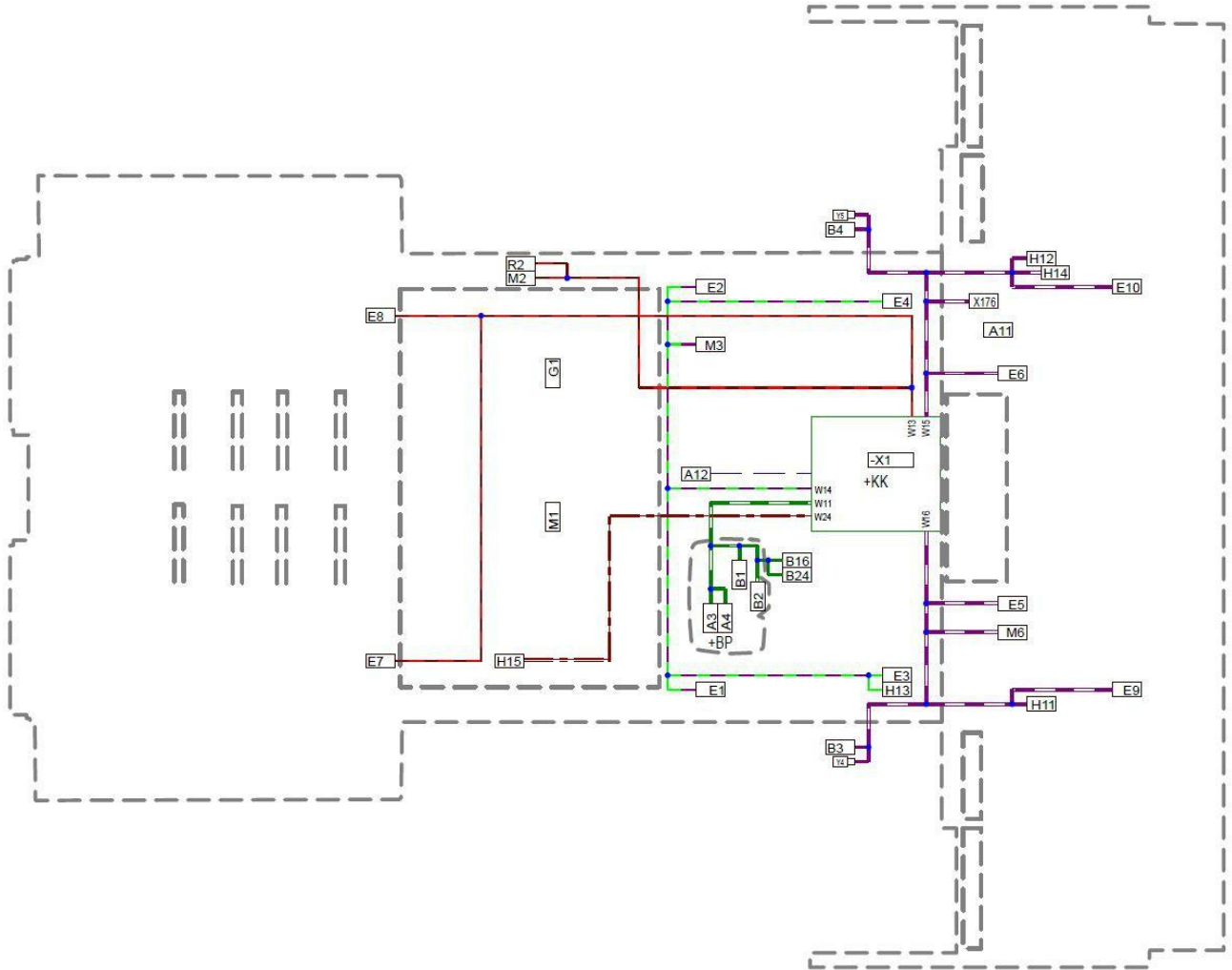


Item	Part No.	Name	Qty	L	C	SN INFO
1	40-4812034725	Hose	4			
2	40-D961951084	Male connector	4			





40-4812016527 Wiring 40-4812016527 Wiring

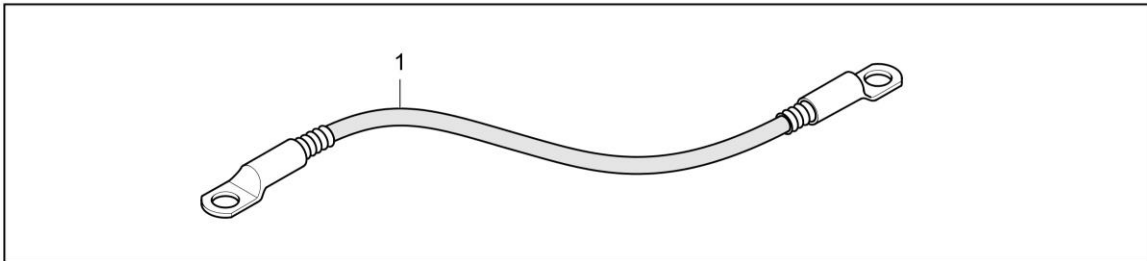
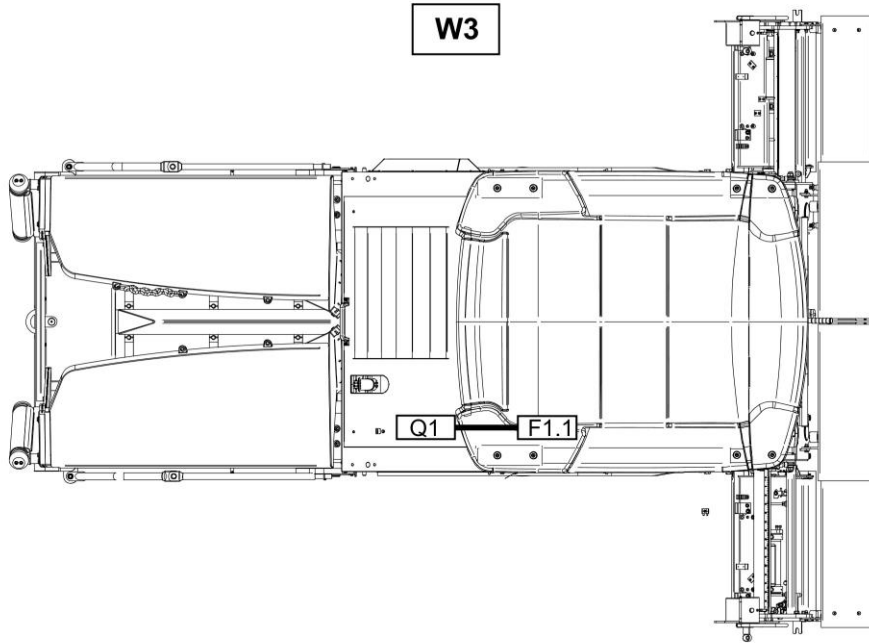


Item	Part No.	Name	Qty	L	C	SN INFO
1	40-4812201322	Cable W1.1	1			
2	40-4812201332	Cable W1.2	1			
3	40-4812031389	Cable W3	1			
3	40-4812023308	Cable W3	1			Valid from s/n 002093, 2095, ff
4	40-4812031390	Cable W4	1			
4	40-4812023307	Cable W4	1			Valid from s/n 002093, 2095, ff
5	40-4812031391	Cable W5	1			
6	40-4812034065	Cable W6	1			
7	40-4812201348	Cable W2.1	1			
8	40-4812024972	Cable W8	1			
9	40-4812031393	Cable W9	1			
10	40-4812031394	Cable W10	1			
11	40-D977436121	Ground strap	1			
12	40-4812031402	Cable harness W13	1			

Refer to Parts Online for the most up to date information. The printed information might be outdated.

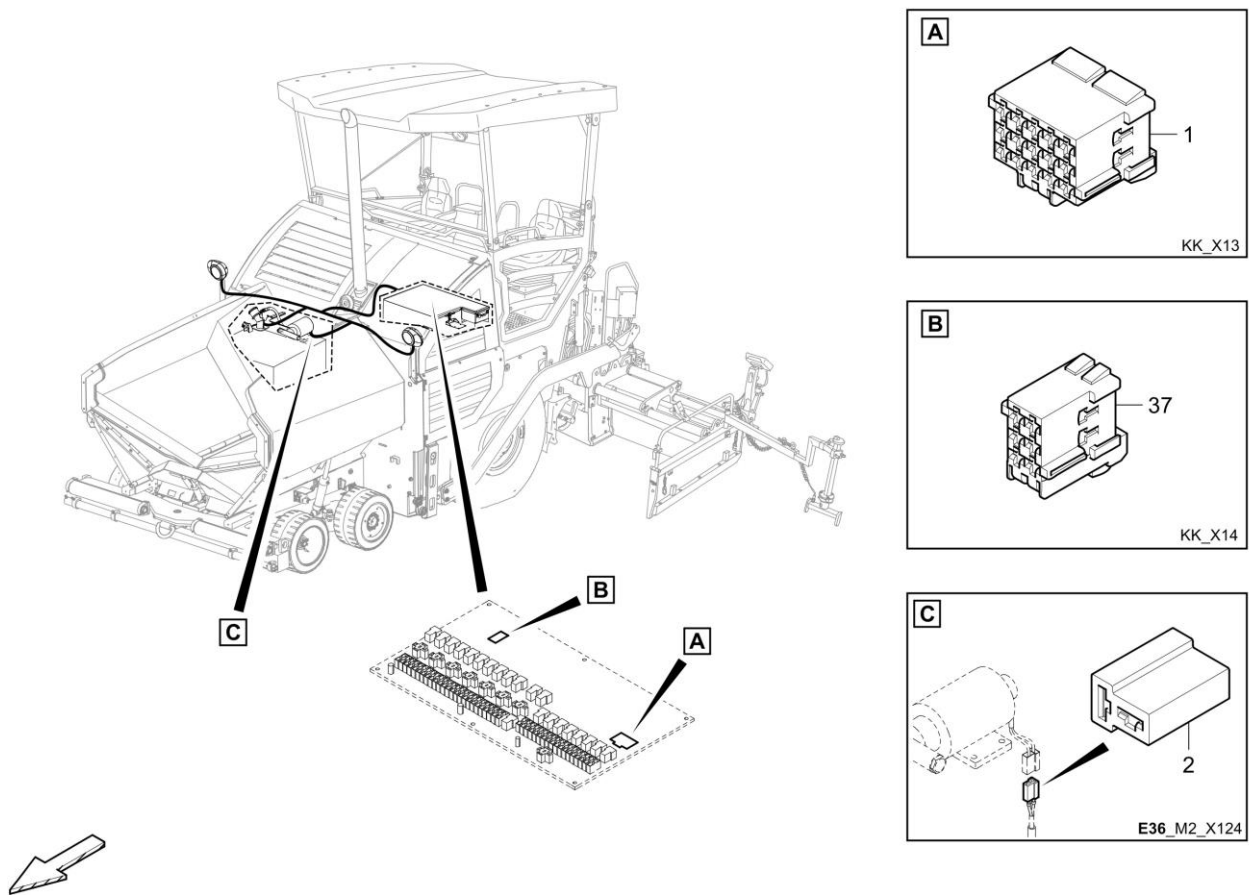
Mon Feb 26 08:44:03 UTC 2018

40-4812016527 Wiring 40-4812023308 Cable W3



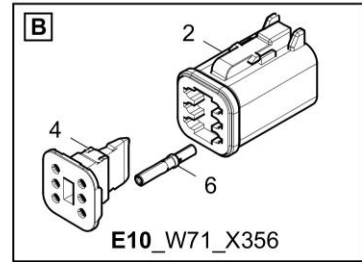
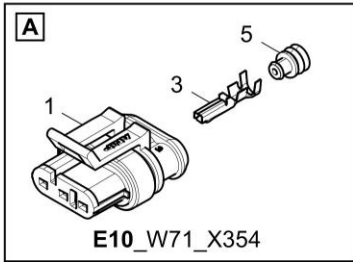
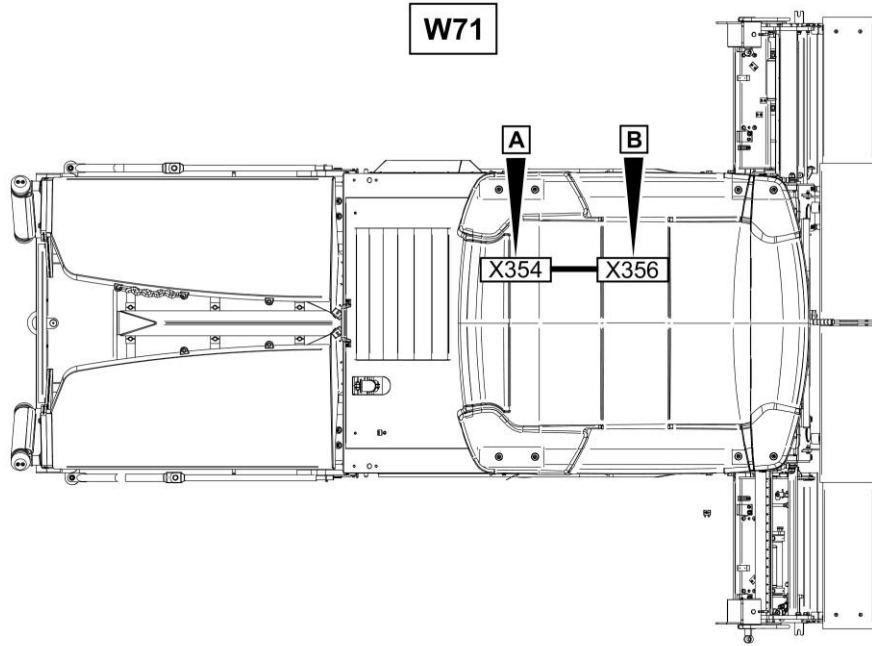
Item	Part No.	Name	Qty	L	C	SN INFO
1	40-4812023308	Cable W3	1			

40-4812016527 Wiring 40-4812031402 Cable harness W13



Item	Part No.	Name	Qty	L	C	SN INFO
18.1	40-4812044930	Socket shell	1			
18.2	40-D977466144	Socket contact	2			
18.3	40-D977466137	Key	1			
24	40-4812034922	Plug	1			
24.1	40-D977330123	Female housing	1			
24.2	40-D977397117	Flat plug sleeve	2			
25	40-4812035487	Plug	1			
25.1	40-D977466146	Socket shell	1			
25.2	40-4812028609	Key	1			
25.3	40-D977466144	Socket contact	4			

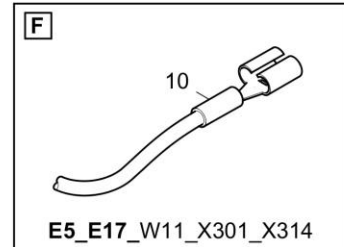
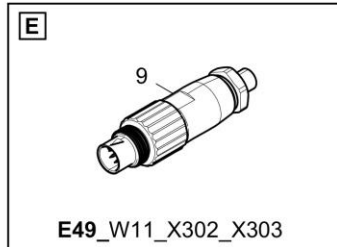
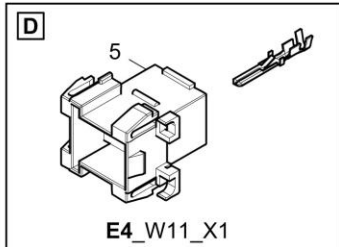
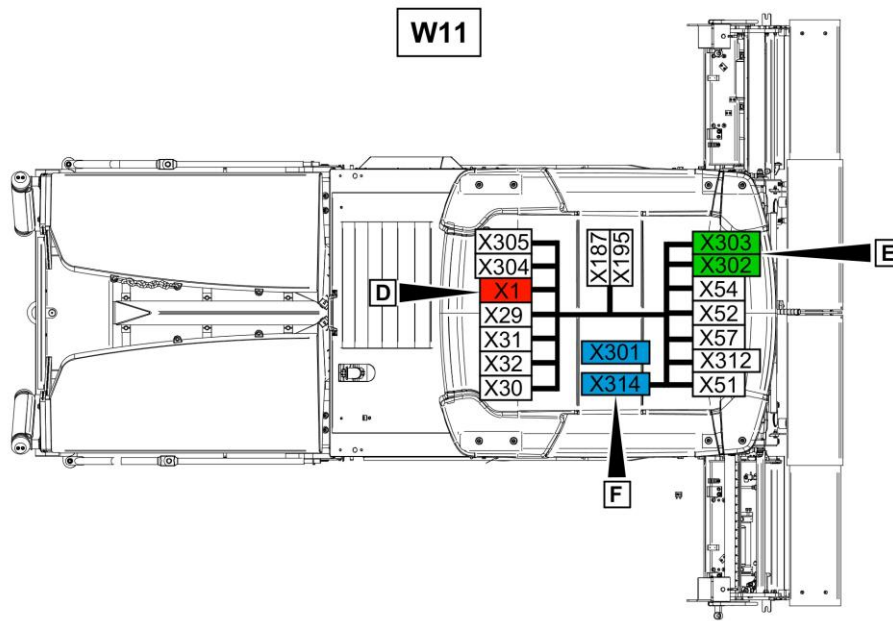
40-4812016527 Wiring 40-4812016480 Cable W71

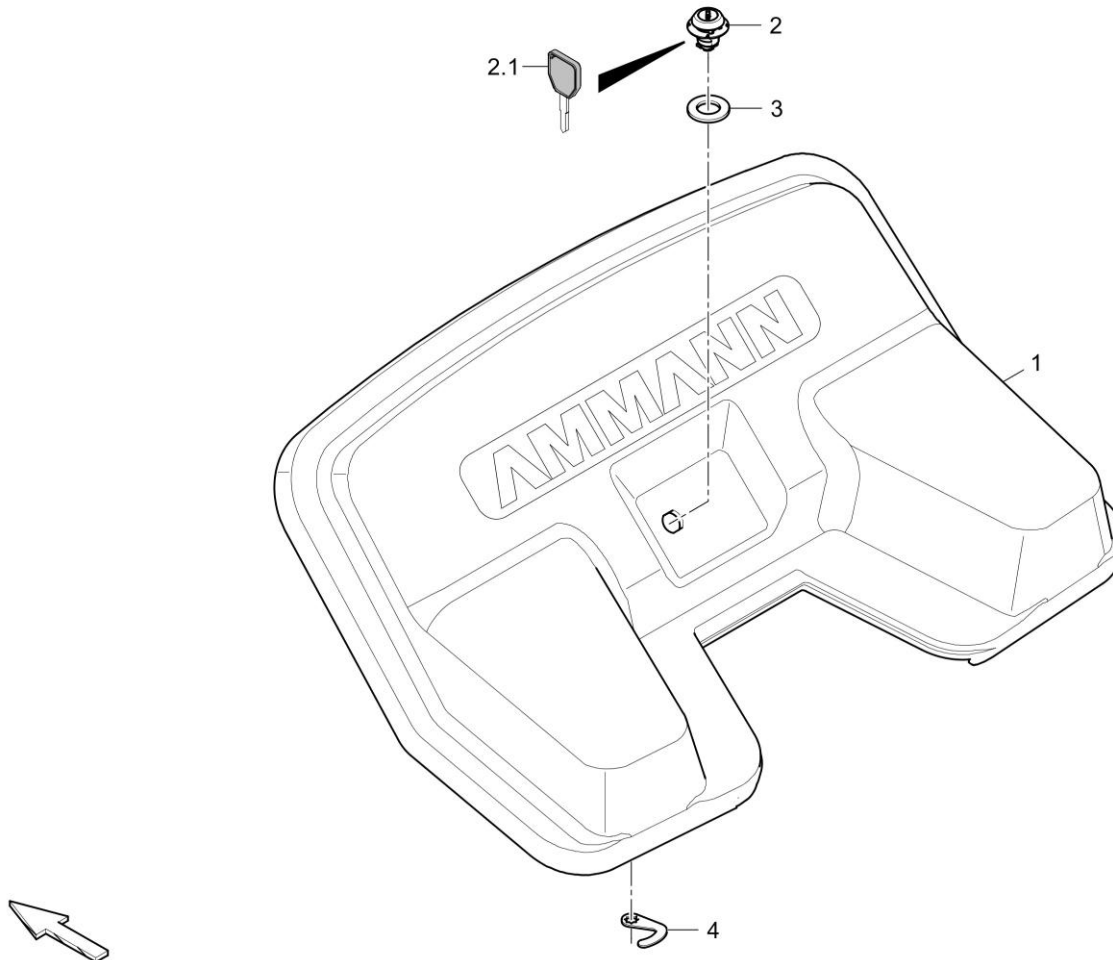


Item	Part No.	Name	Qty	L	C	SN INFO
1	40-D977477103	Socket shell	1			
2	40-D977479755	Socket shell	1			
3	40-D977478301	Contact	3			
4	40-4812028609	Key	1			
5	40-D977478231	Sealing	1			
6	40-D977466144	Socket contact	3			

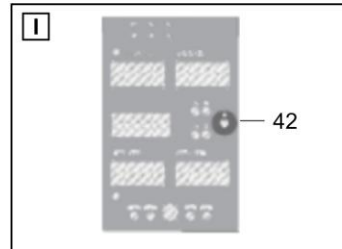
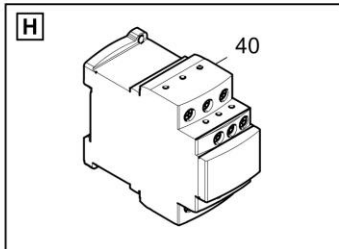
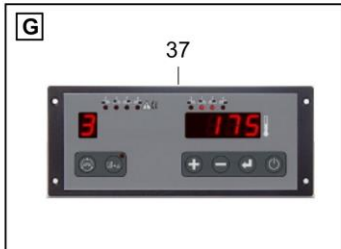
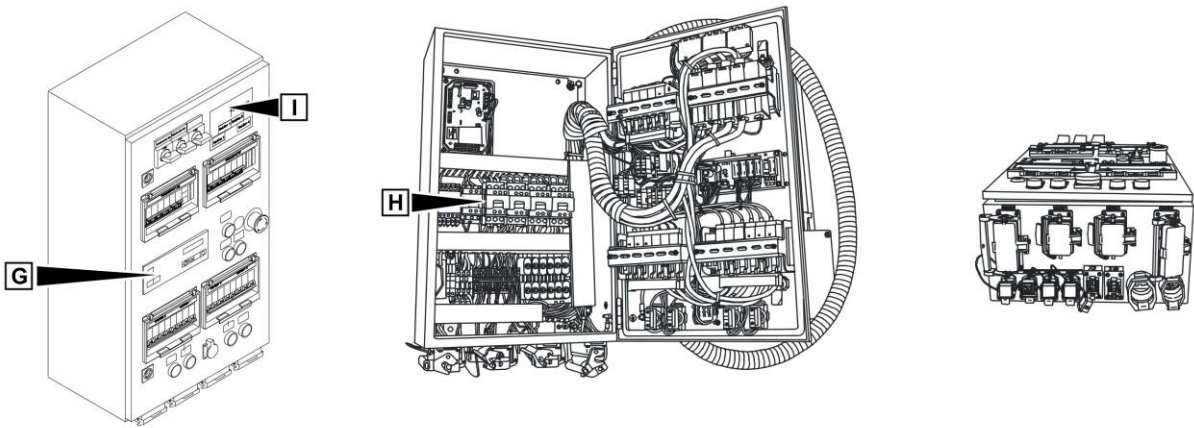
Refer to Parts Online for the most up to date information. The printed information might be outdated.

Mon Feb 26 08:44:24 UTC 2018



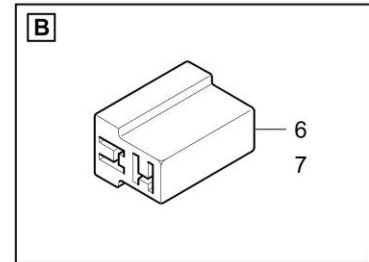
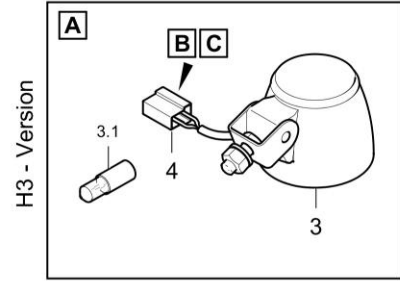
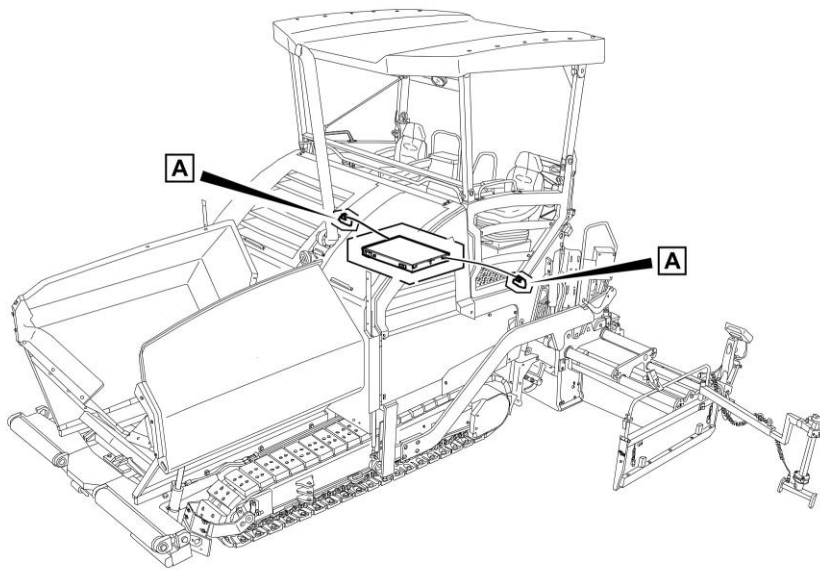
Vandalism protection, AMMANN, wheeled 40-4812024434 Vandalism protection

Item	Part No.	Name	Qty	L	C	SN INFO
1	40-4812024430	Vandalism protection	1			
2	40-4812014991	Sash lock	1			
2.1	40-4812024627	Key	1			
3	40-0301238600	Spring washer	1			
4	40-4812013141	Latch	1			

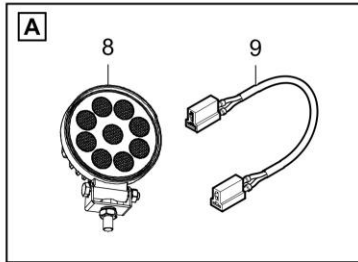


Item	Part No.	Name	Qty	L	C	SN INFO
46	40-D977551002	Switch	1			
49	40-4812030146	Key	1			
52	40-D977455780	Overload release	1			
53	40-4812032801	Overload circuit breaker	1			
58	40-D977463142	Mounting housing	1			
59	40-D977463143	Socket contact	1			
60	40-D977463185	Mounting box	1			
61	40-4812007368	Insert	1			
62	40-D977463152	Mounting box	1			
63	40-D977463153	Insert	1			
64	40-D977478247	Dust cap	1			
66	40-D977734009	Contact	1			
67	40-4812040645	Signal light	1			
68	40-4812033308	Overload release	1			
69	40-4812033229	Overload release, 1-pole	1			
70	40-4812033230	Overload release	1			
71	40-4812033228	Overload release	1			
73	40-D977580292	Contact	1			
74	40-4812035685	Plug	1			
76	40-4812031376	Wire box	1			
77	40-D977467007	Flange housing	1			
78	40-4812030148	Socket	1			
80	40-D977580288	Push button	1			
81	40-4812033229	Overload release, 1-pole	1			
82	40-D977580294	Lamp element	1			
87	40-D977580293	Retainer	1			
88	40-D977580287	Push button	1			
100	40-4812012728	Power breaker	1			
101	40-4812012729	Power breaker	1			
108	40-4812018038	Push button	1			

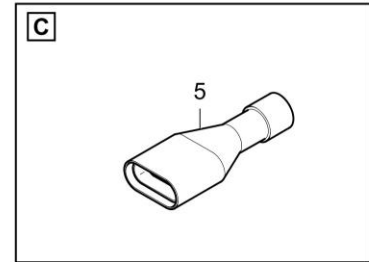
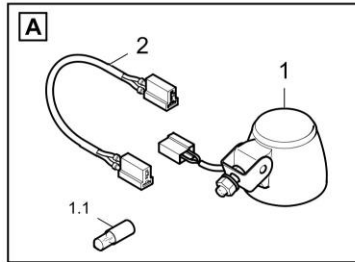
40-4812035023 Spot light for auger 40-4812028823 Spot light



LED - Version



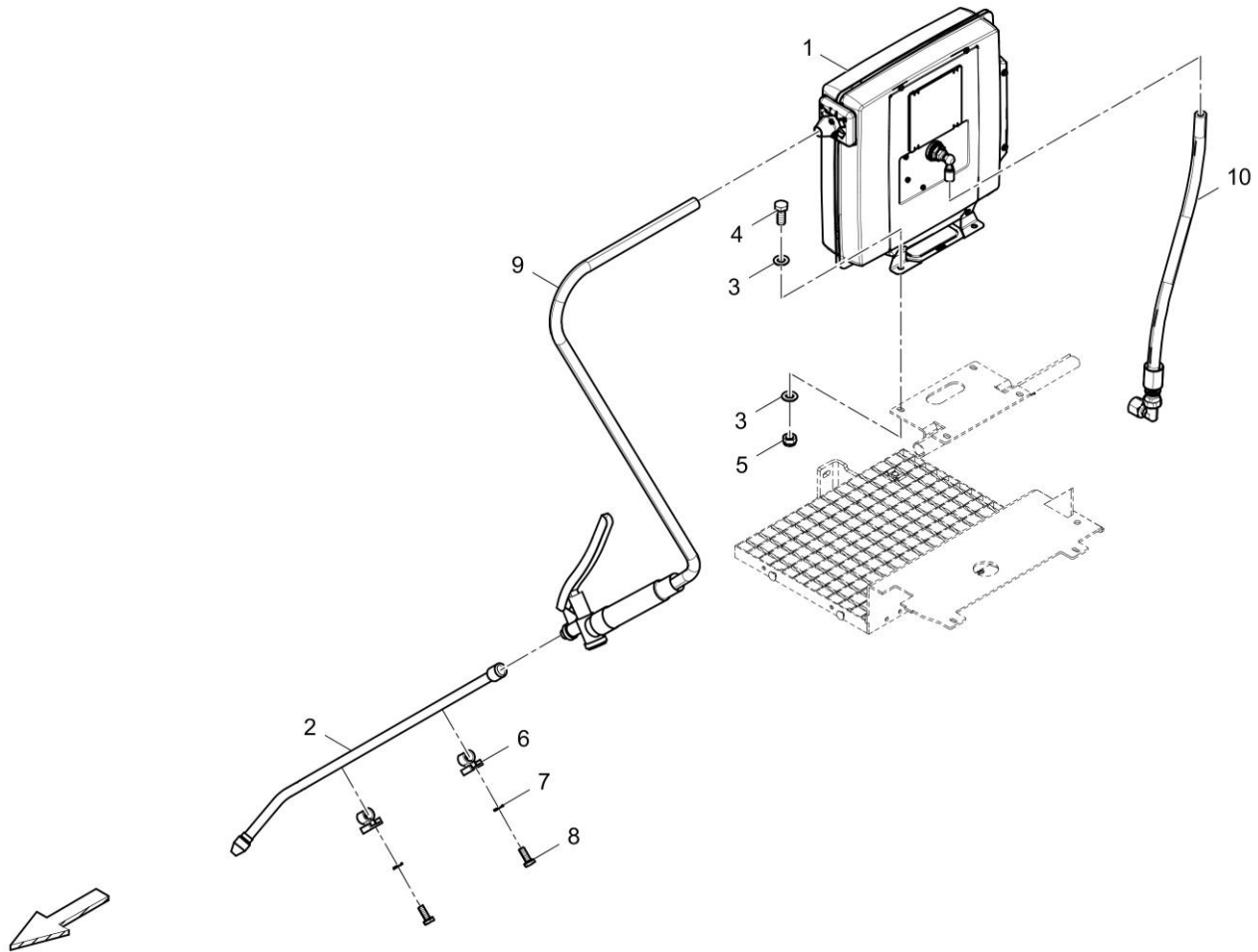
H3 - Version



Item	Part No.	Name	Qty	L	C	SN INFO
1	40-4812025686	Spot light	1			
1.1	40-D977335112	Bulb	1			
2	40-4812042764	Cable Kit				
2.1	40-D977396215	Plug	2			
2.2	40-4812042731	Cable x m	0,5			
2.3	40-4812042732	Tab	2			
2.4	40-D977330126	Plug housing	1			
3	40-4812015854	Spot light	1			
3.1	40-D977335112	Bulb	1			
4	40-4812042731	Cable x m	1			
5	40-4812042732	Tab	2			
6	40-D977330126	Plug housing	1			
7	40-D977396215	Plug	2			
8	40-4812023383	Spot light	2			
9	40-4812023361	Cable W49	2			

Refer to Parts Online for the most up to date information. The printed information might be outdated.

Mon Feb 26 08:44:51 UTC 2018

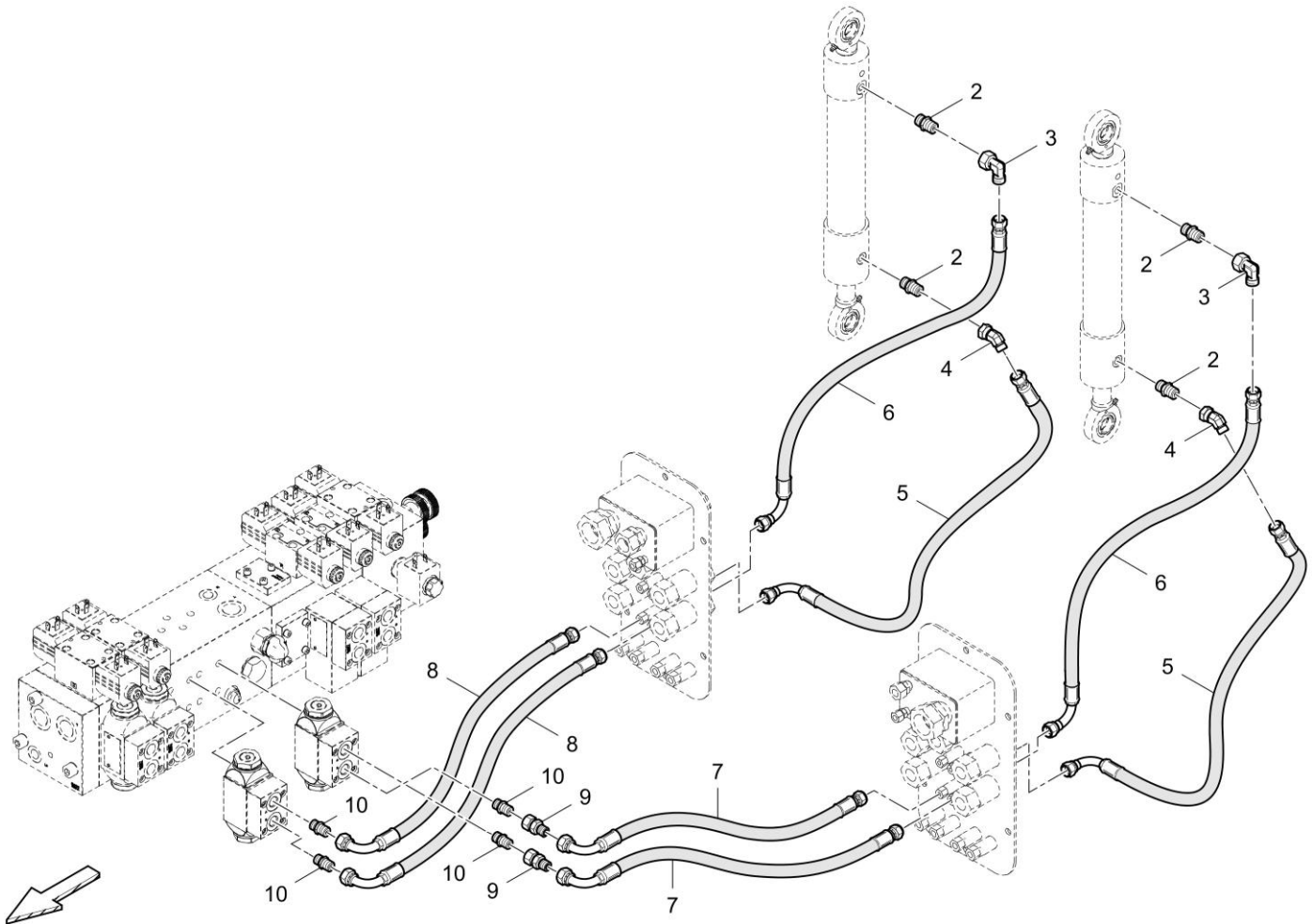
40-4812227324 Emulsion spray system 40-4812232523 Hose reel

Item	Part No.	Name	Qty	L	C	SN INFO
1	40-4812232521	Hose reel	1			
2	40-D956166675	Splash pipe, cpl.	1			
2.1	40-D956192420	Nozzle	1			
3	40-0301233500	Plain washer	8			
4	40-0147132303	Hexagon bolt	4			
5	40-0291118802	Hexagon nut	4			
6	40-D953509710	Clip	2			
7	40-0333310045	Schnorr-lock washer	2			
8	40-0147124603	Screw	2			
9	40-4812232728	Hose	1			
9.1	40-4812232764	Hose	10			
9.2	40-D953502699	Hose cap	1			
9.3	40-D956168654	Valve	1			
10	40-4812232729	Hose	1			
10.1	40-4812232764	Hose	0,4			
10.2	40-D953502699	Hose cap	1			

Refer to Parts Online for the most up to date information. The printed information might be outdated.

Mon Feb 26 08:44:56 UTC 2018

40-4812017362 Hydraulic auger lift, SETASSIST 40-4812232961 Hydraulic auger lift

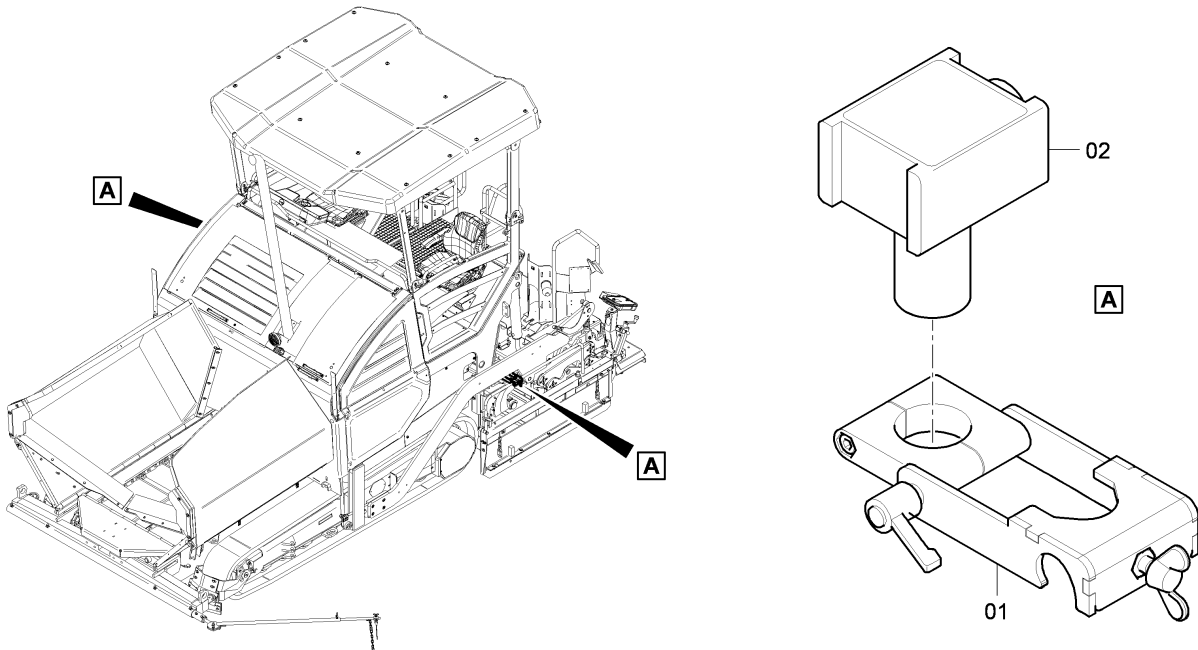


Item	Part No.	Name	Qty	L	C	SN INFO
2	40-D961935106	Male connector	4			
3	40-D961917006	Elbow socket	2			
4	40-D961355037	Swivel nut branch tee	2			
5	40-4812006199	Hose	2			
6	40-4812032714	Hose	2			
7	40-4812035608	Hose	2			
8	40-4812035603	Hose	2			
9	40-D961352949	Adapter	2			
10	40-D961935234	Male connector	4			

Refer to Parts Online for the most up to date information. The printed information might be outdated.

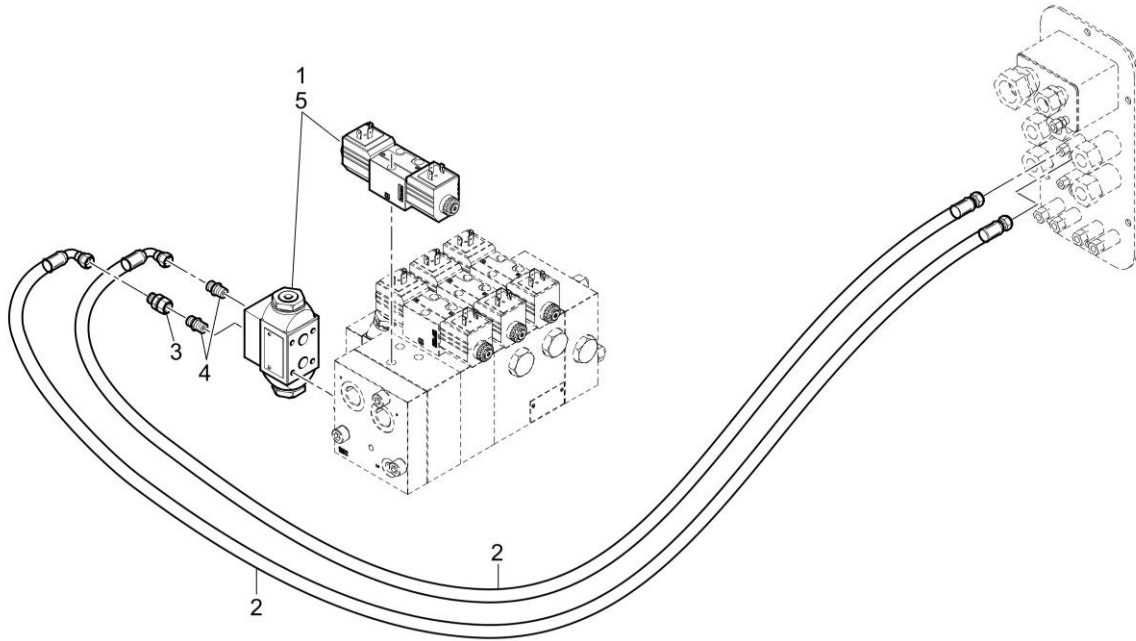
Mon Feb 26 08:44:59 UTC 2018

40-4812031793 Auger limit switch ultrasonic 40-4812031793 Auger limit switch ultrasonic



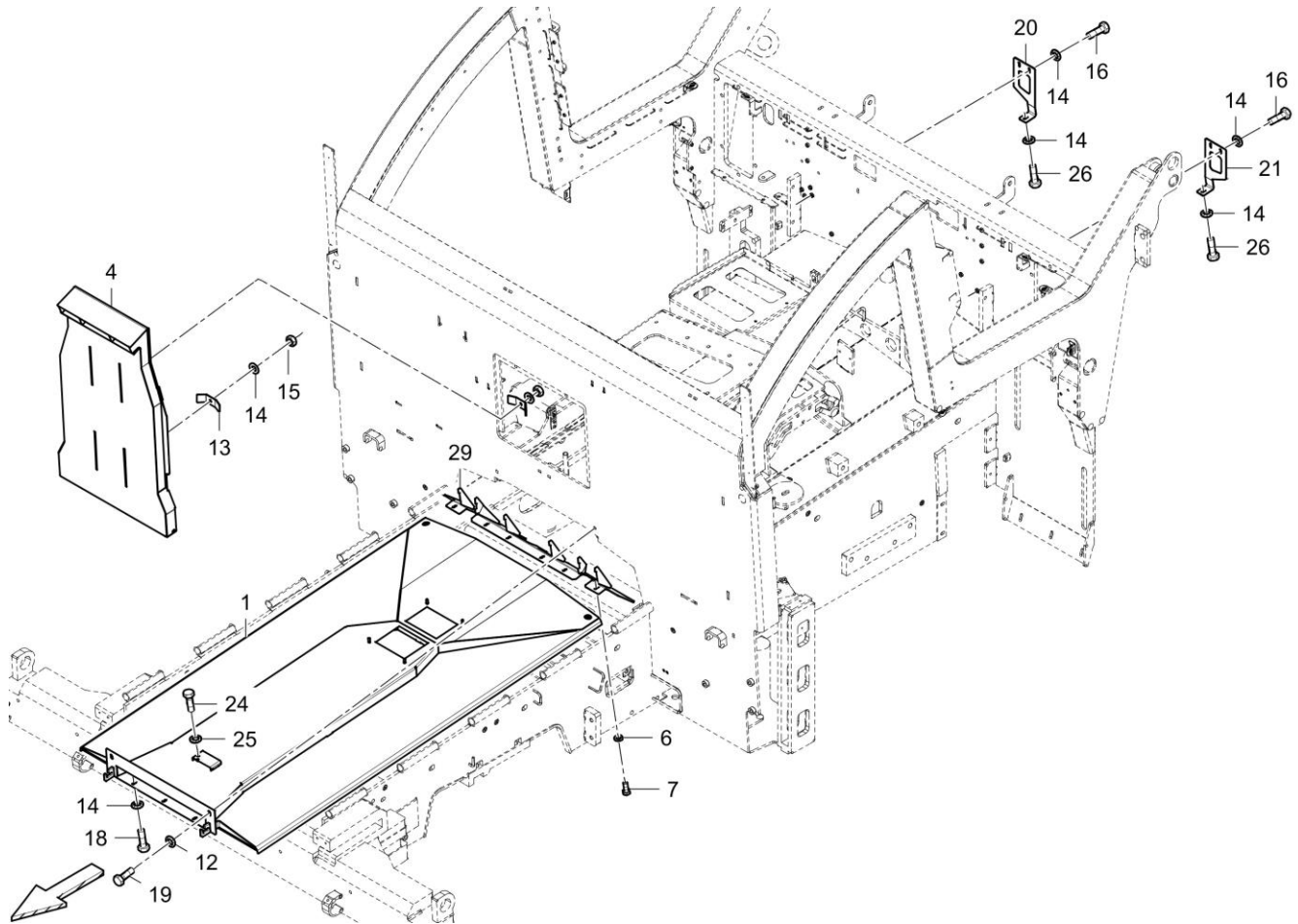
Item	Part No.	Name	Qty	L	C	SN INFO
1	40-4812228334	Sonormatic retainer	1			
2	40-4812032431	Electric	1			

40-4812030543 Roof profile setting, hydr. 40-4812030543 Roof profile setting, hydr.



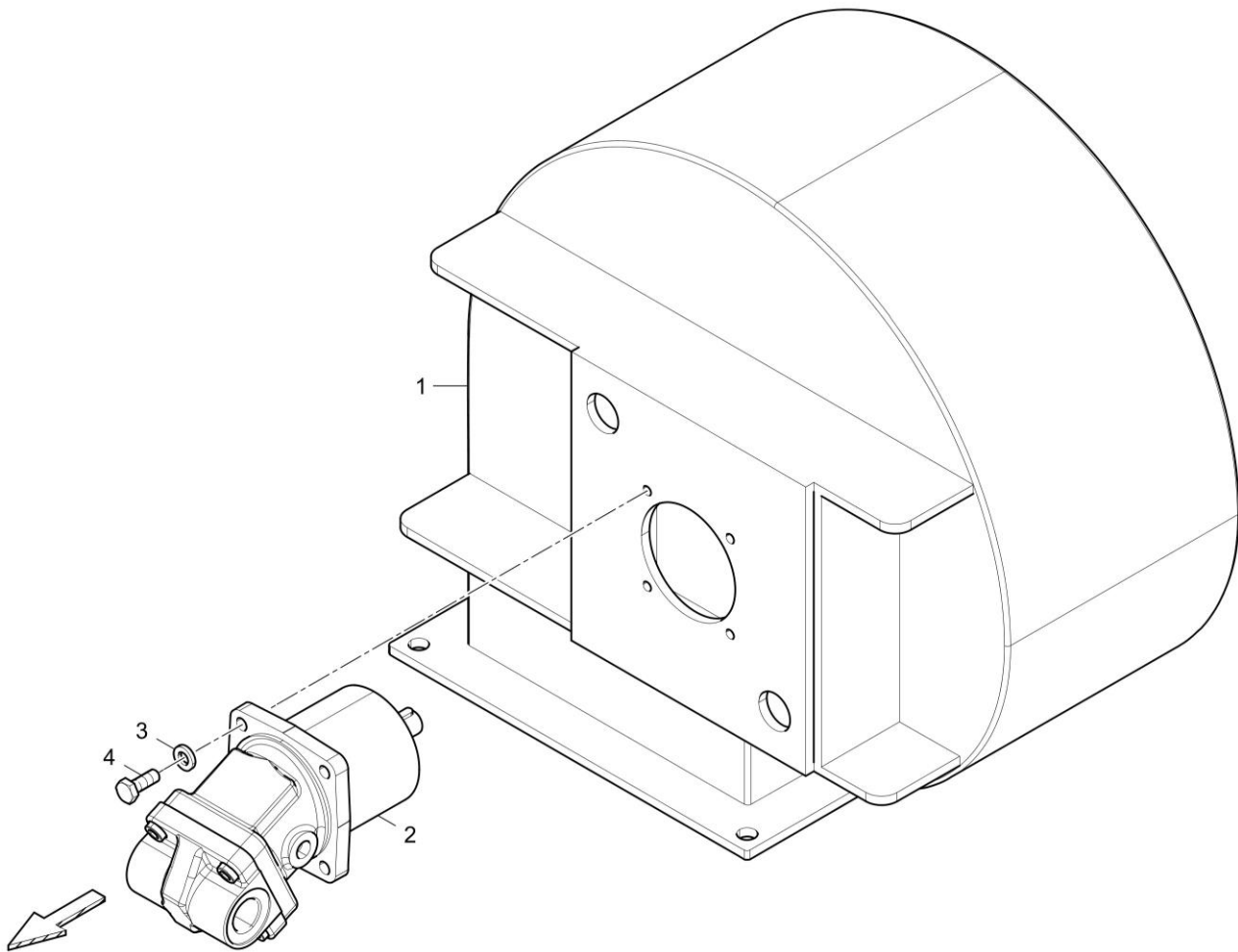
Item	Part No.	Name	Qty	L	C	SN INFO
1	40-4812033247	Control block	1			
1	40-4812046393	Control block	1			Valid for s/n 0G000979, ff
2	40-4812035804	Hose	2			
3	40-D961352949	Adapter	1			
4	40-D961935234	Male connector	2			
5	40-4812031915	Nozzle	2			

40-4812007057 Fume control system 40-4812007057 Fume control system

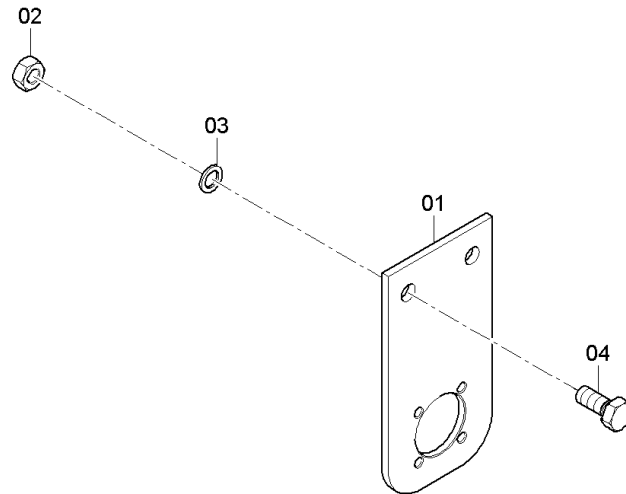


Refer to Parts Online for the most up to date information. The printed information might be outdated.

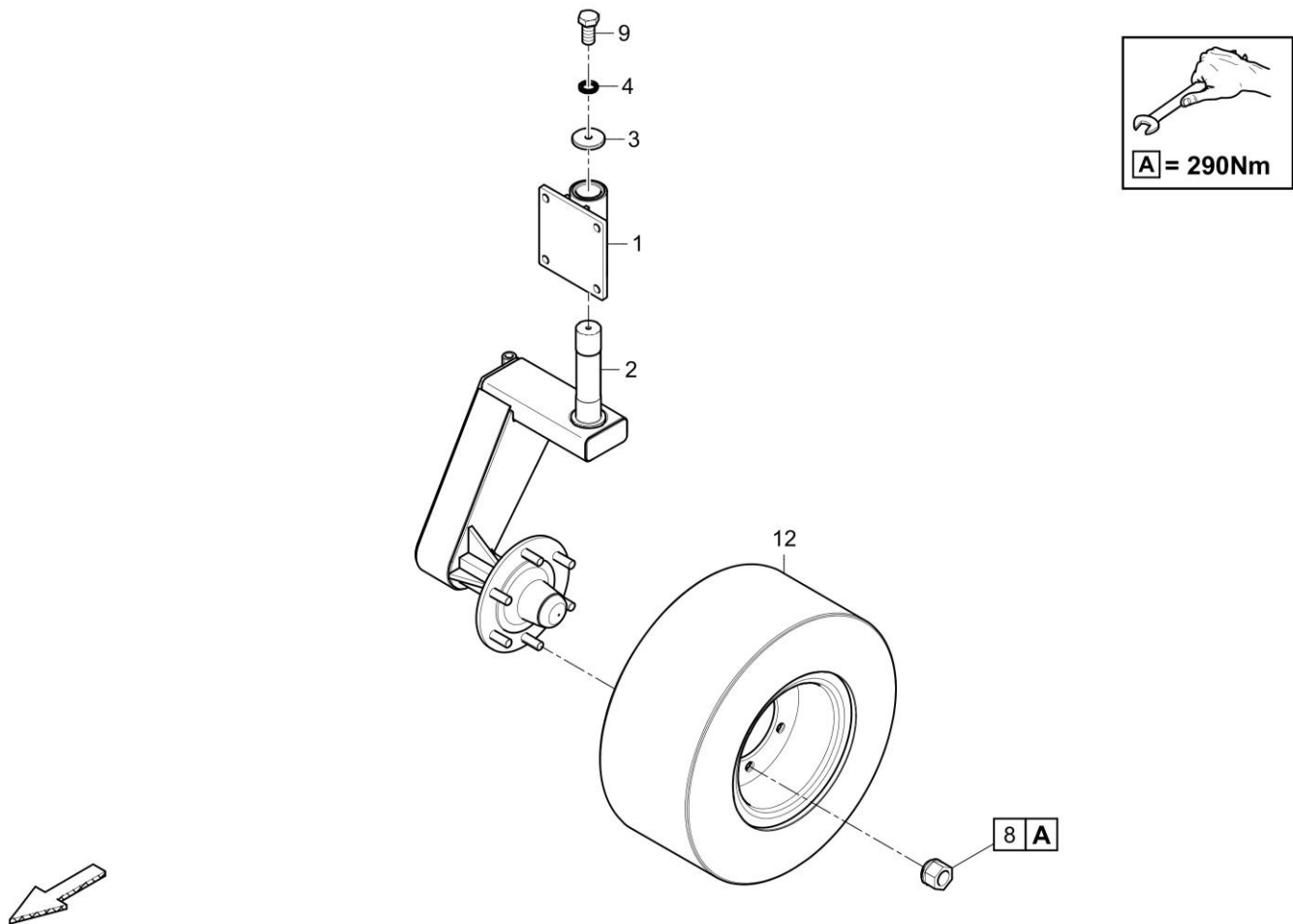
Mon Feb 26 08:45:11 UTC 2018

40-4812019359 Fume control system 40-4812018606 Blower

Item	Part No.	Name	Qty	L	C	SN INFO
1	40-4812044945	Ventilator	1			
2	40-4812044822	Hydraulic motor	1			
3	40-0333310055	Washer	4			
4	40-0147124603	Screw	4			

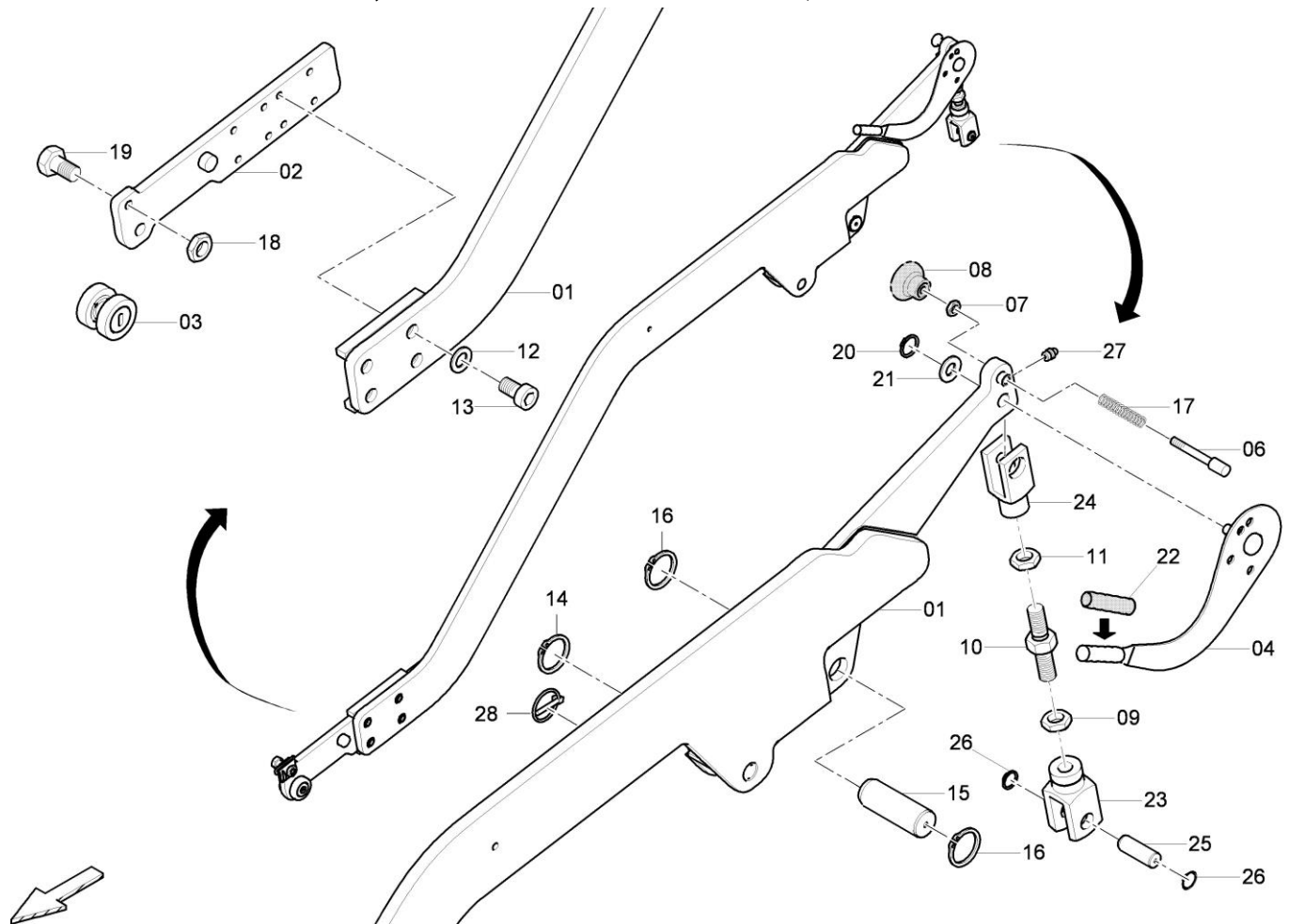
40-4812042414 Trailer axle MASTER 40-4812044839 Retainer

Item	Part No.	Name	Qty	L	C	SN INFO
1	40-4812042272	Retainer plate	1			
2	40-0266211000	Hexagon nut M8	2			
3	40-0333310036	Schnorr-lock washer	2			
4	40-0147132303	Hexagon bolt	2			

40-4812040297 Wheel storage, r.h. 40-4812040297 Wheel storage, r.h.

Item	Part No.	Name	Qty	L	C	SN INFO
1	40-4812040140	Support block	1			
2	40-4812040122	Wheel suspension bar	1			
3	40-4812040120	Washer	1			
4	40-0333310052	Flat washer	1			
8	40-4749901284	Nut	6			
9	40-0147140003	Hex head screw M12 x 25	1			
12	40-4812043204	Wheel, cpl.	1			

40-4812044874 Side screed arm, l.h. 40-4812044874 Side screed arm, l.h.



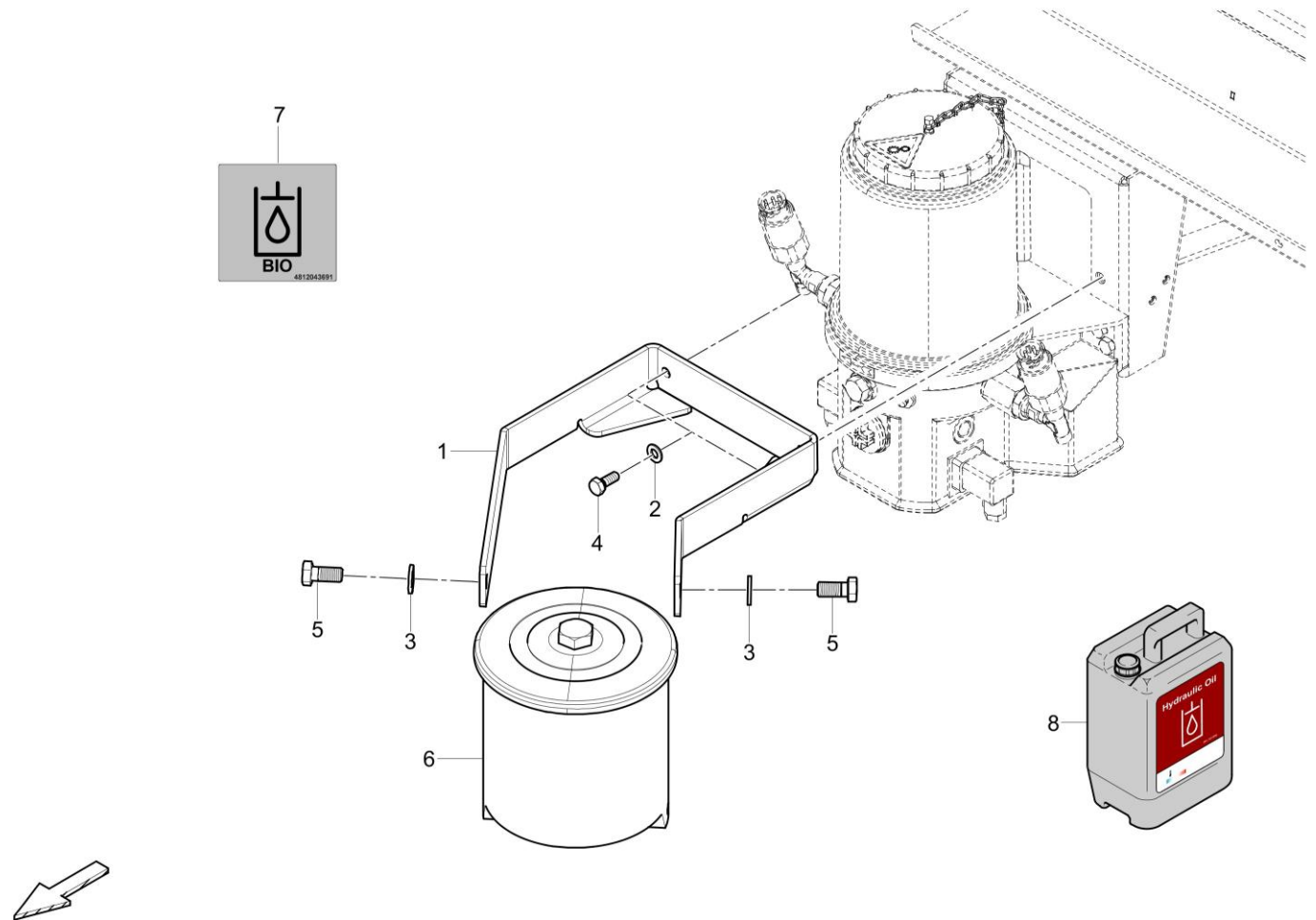
Item	Part No.	Name	Qty	L	C	SN INFO
1	40-4812044870	Side screed arm, l.h.	1			
2	40-4812029091	Side screed arm pull part	1			
3	40-4720000097	Side arm guiding	1			
3	40-4812232214	Side arm guiding	1			Valid from s/n G002373, 2379, 2381, 2391, 2395, 2396, 2410, 2412 - 2416, 2420, 2421, 2424, ff
4	40-4812033080	Eccentric lever	1			
6	40-4730005276	Bolt	1			
7	40-0261109960	Hexagon nut	1			
8	40-0362110901	Handle	1			
9	40-0261109971	Hexagon nut	1			
10	40-4812034780	Spindle	1			
11	40-0261109969	Hexagon nut	1			
12	40-0333310044	Schnorr-lock washer	4			
13	40-0215001063	Hexagon socket head cap screw	4			
14	40-4749900349	Circlip	1			
15	40-4812029166	Bolt	1			

Refer to Parts Online for the most up to date information. The printed information might be outdated.

Mon Feb 26 08:45:21 UTC 2018

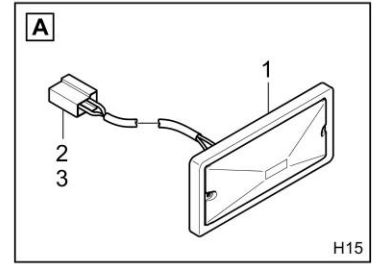
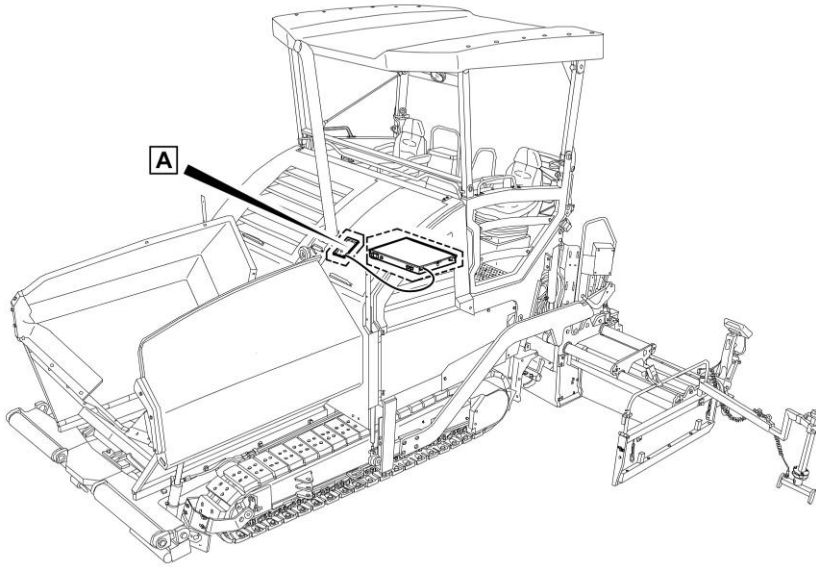
	Referenced Pages	
40-4812030546 Locking		31
40-4812033247 Control block		32
	Referenced Pages	
40-4812033033 Locking		30

40-4812019117 Bio hydraulic oil / Panolin 40-4812019117 Bio hydraulic oil / Panolin

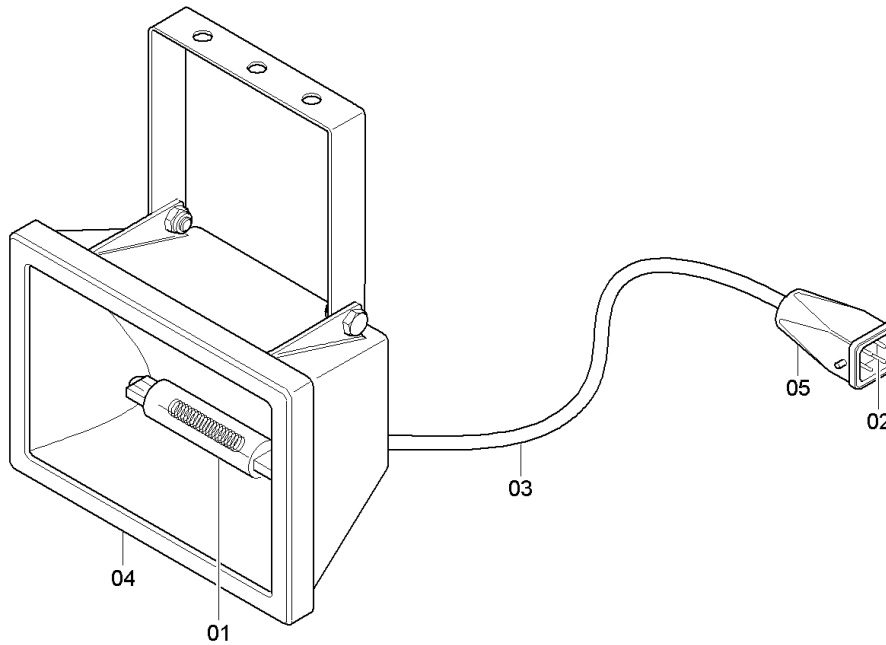


Item	Part No.	Name	Qty	L	C	SN INFO
1	40-4812016756	Retainer	1			
2	40-0301233500	Plain washer	2			
3	40-0301235800	Plain washer(A) 13 x 24 x 2.5	2			
4	40-0147132303	Hexagon bolt	2			
5	40-0147140003	Hex head screw M12 x 25	2			
6	40-4812018501	Hydrl.partial flow filter	1			
7	40-4812043691	sticker	1			
8	40-4747400078	Hydr. oil x L	1			

40-4812029937 Engine room lighting, electric 40-4812032841 Lamp interior

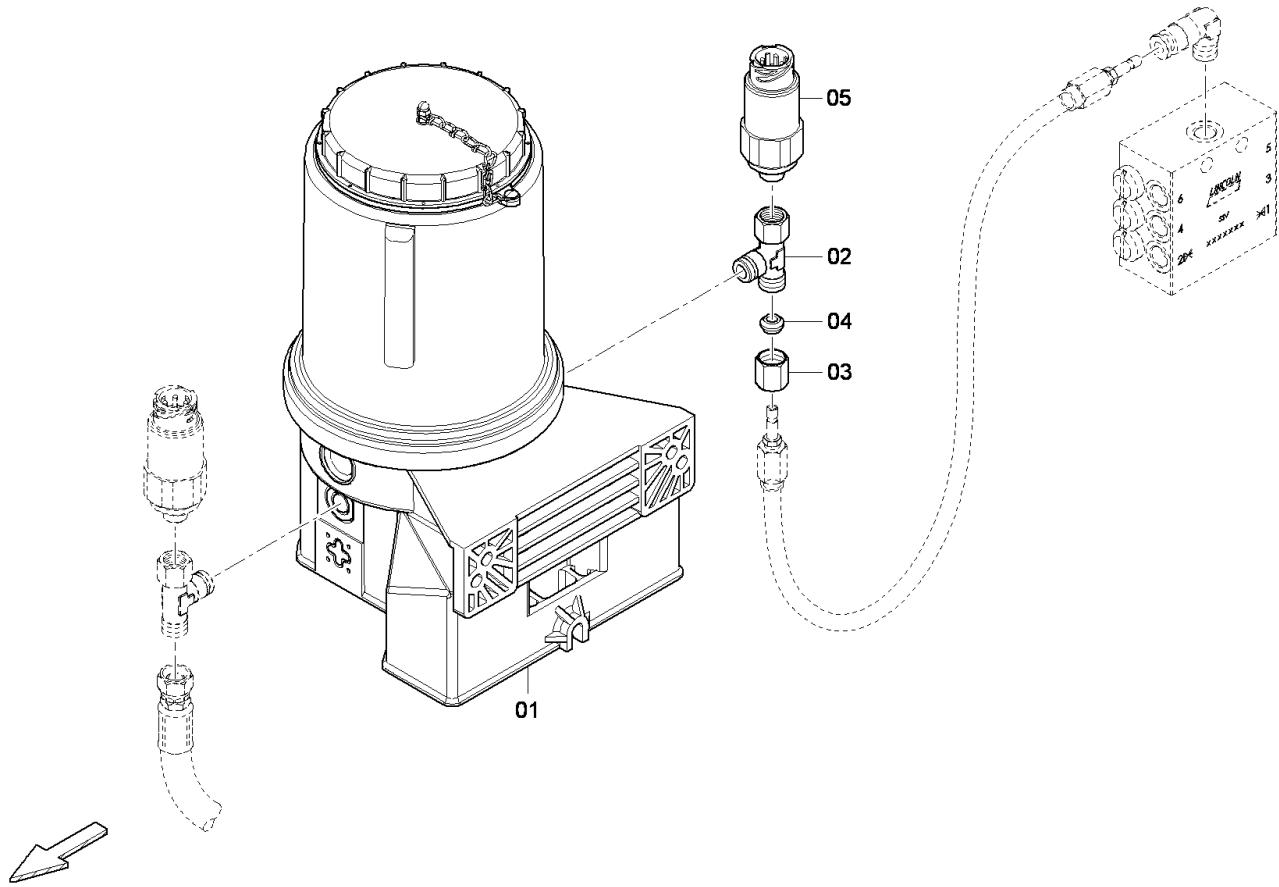


Item	Part No.	Name	Qty	L	C	SN INFO
1	40-4812032832	Lamp interior	1			
2	40-D977330126	Plug housing	1			
3	40-D977396215	Plug	2			

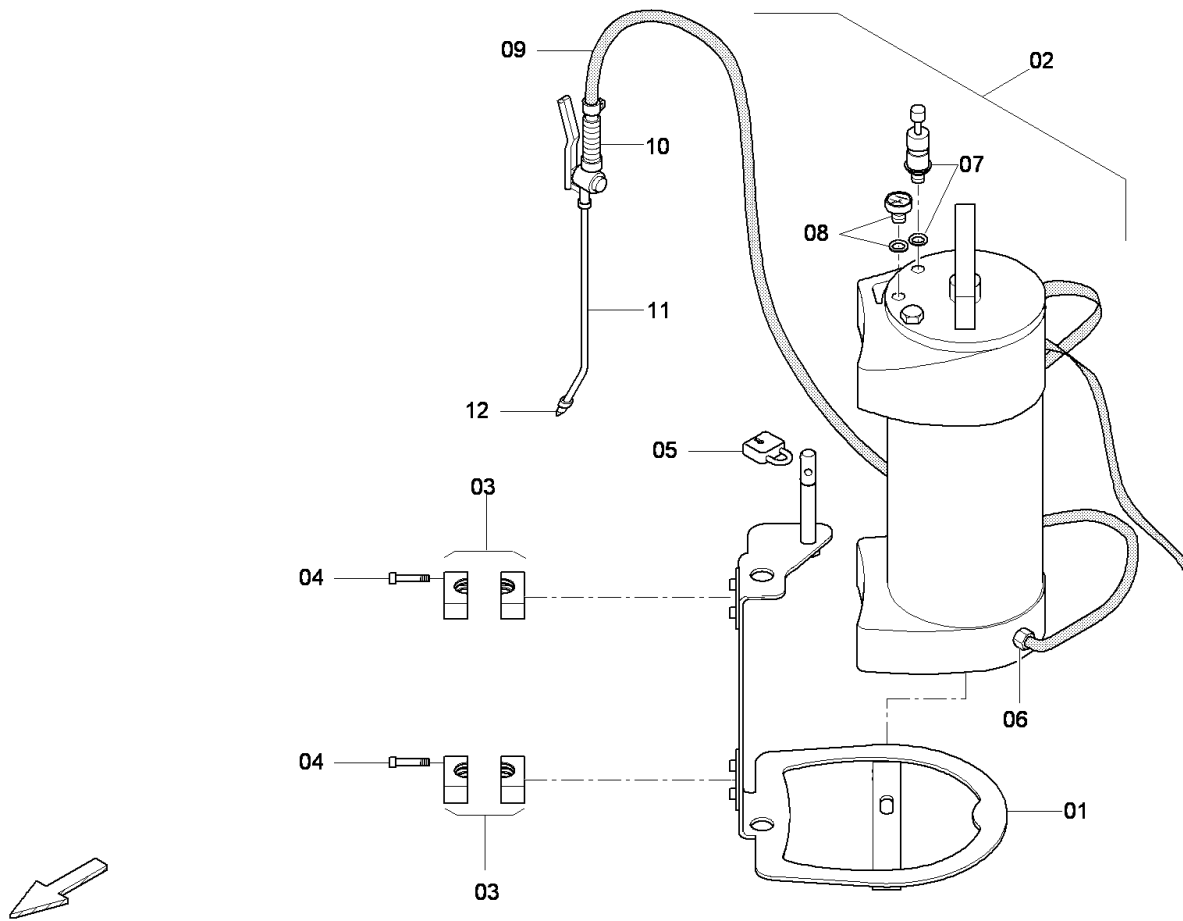
40-4812006942 Halogen spot light 40-4812006904 Halogen spot light

Item	Part No.	Name	Qty	L	C	SN INFO
1	40-D977900233	Bulb	1			
2	40-D977463158	Male contact	1			
3	40-D977379027	Cable	1			
4	40-D977900135	Halogen spot light	1			
5	40-D977463157	Socket shell	1			

40-4812037776 Pump 40-4812037776 Pump

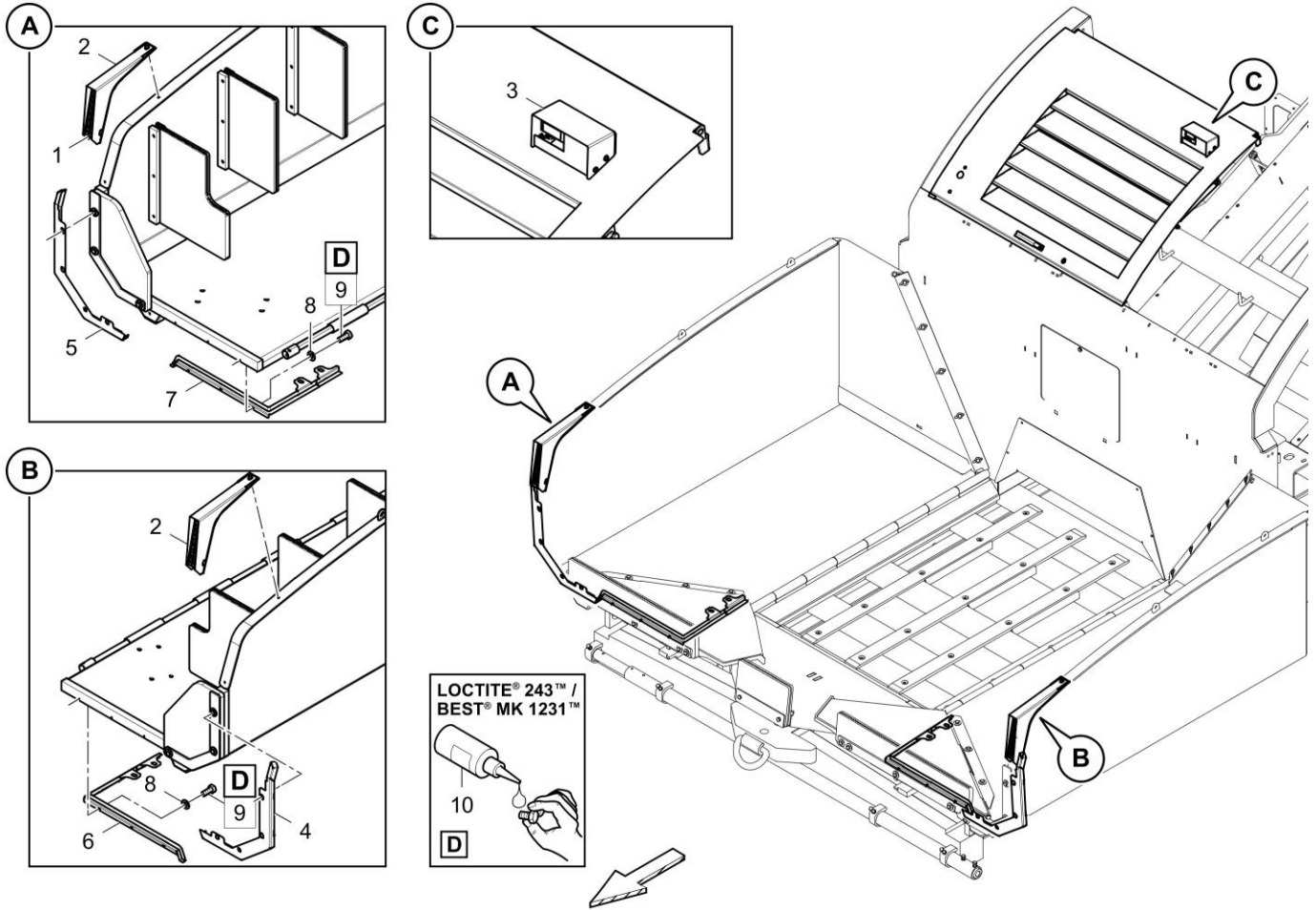


Item	Part No.	Name	Qty	L	C	SN INFO
1	40-4812037777	Pump	1			
2	40-4812037778	Clamping	1			
3	40-4812037779	Nut	1			
4	40-4812037780	Olive	1			
5	40-4812037781	Pressure switch	1			

40-4812034869 Gloria spraving device 40-4812034869 Gloria spraying device

Item	Part No.	Name	Qty	L	C	SN INFO
1	40-D874903501	Retainer	1			
2	40-D956125051	Gloria spraying device	1			
3	40-4749302749	Clamp	2			
4	40-0211125403	Screw	4			
5	40-4812017924	Padlock	1			
6	40-D956125046	Screwing	1			
7	40-D956125048	Safety valve, cpl.	1			
8	40-D956125049	Manometer, cpl.	1			
9	40-D956125047	Hose	1			
10	40-D956125045	Quick setting valve	1			
11	40-D956125044	Splash pipe, cpl.	1			
12	40-D956125043	Flat splash nozzle	1			

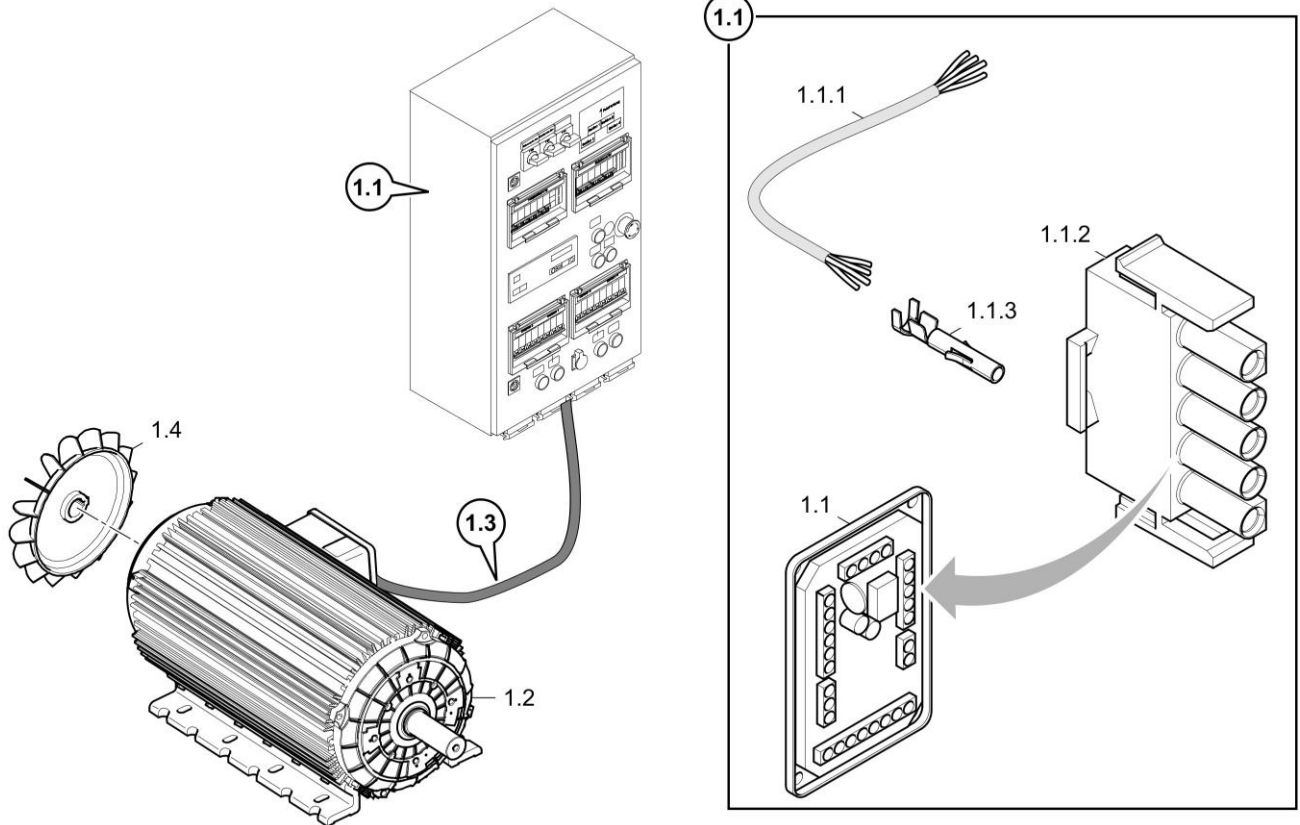
40-4812017018 Truck Assist Advanced 40-4812017018 TruckAssist Advanced



Item	Part No.	Name	Qty	L	C	SN INFO
1	40-4812016485	Electric	1			
2	40-4812018218	Housing	2			
3	40-4812018226	Housing	1			
4	40-4812233544	Cover, l.h.	1			
5	40-4812233543	Cover, r.h.	1			
6	40-4812233637	Cover, l.h.	1			
7	40-4812233638	Cover, r.h.	1			
8	40-0301231800	Flat washer	6			
9	40-0147120403	Screw	6			
10	40-4747400034	Thread locking	0,05			

Refer to Parts Online for the most up to date information. The printed information might be outdated.

Mon Feb 26 08:45:35 UTC 2018

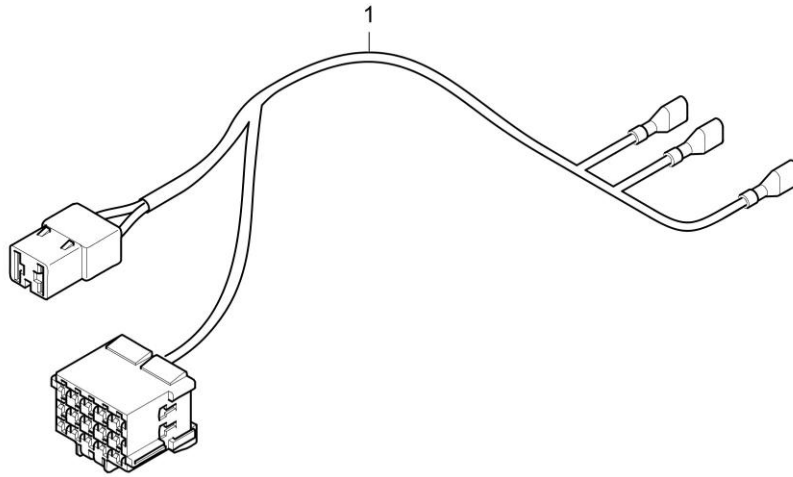


Item	Part No.	Name	Qty	L	C	SN INFO
1	40-4812012721	Generator	1			
1.1	40-4812035658	Controller	1			
1.1.1	40-D977365414	Cable x m	1			
1.1.2	40-4812035685	Plug	1			
1.1.3	40-4812035509	Female contact	5			
1.2	40-4812012726	Generator	1			
1.3	40-4812011903	Generator cable	1			
1.4	40-4812044617	Fan vane				
2	40-4812018197	Electric	1			
3	40-4812041175	Coupling	1			
4	40-4812018397	Joint shaft	1			
5	40-4812036529	Universal joint protection	1			
6	40-4812010759	Space washer	1			
7	40-4812017028	Air guide hose	1			
9	40-4812245235	Clamp	1			
10	40-0337820600	Feather key	1			
13	40-D939515032	Washer	6			

Refer to Parts Online for the most up to date information. The printed information might be outdated.

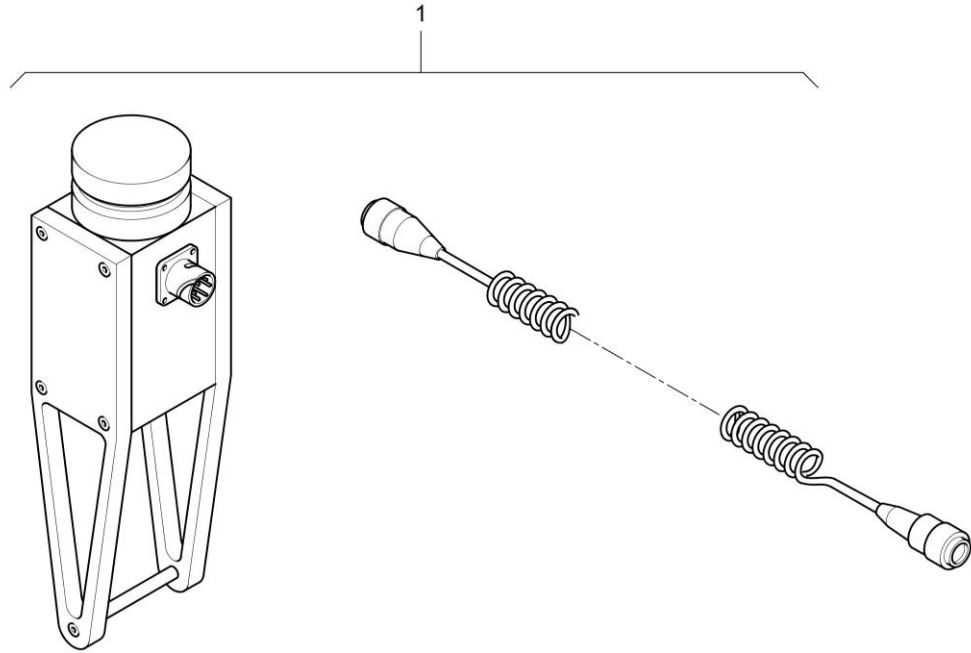
Mon Feb 26 08:45:39 UTC 2018

40-4812018948 Option pave IR ready 40-4812018948 Option pave ir ready



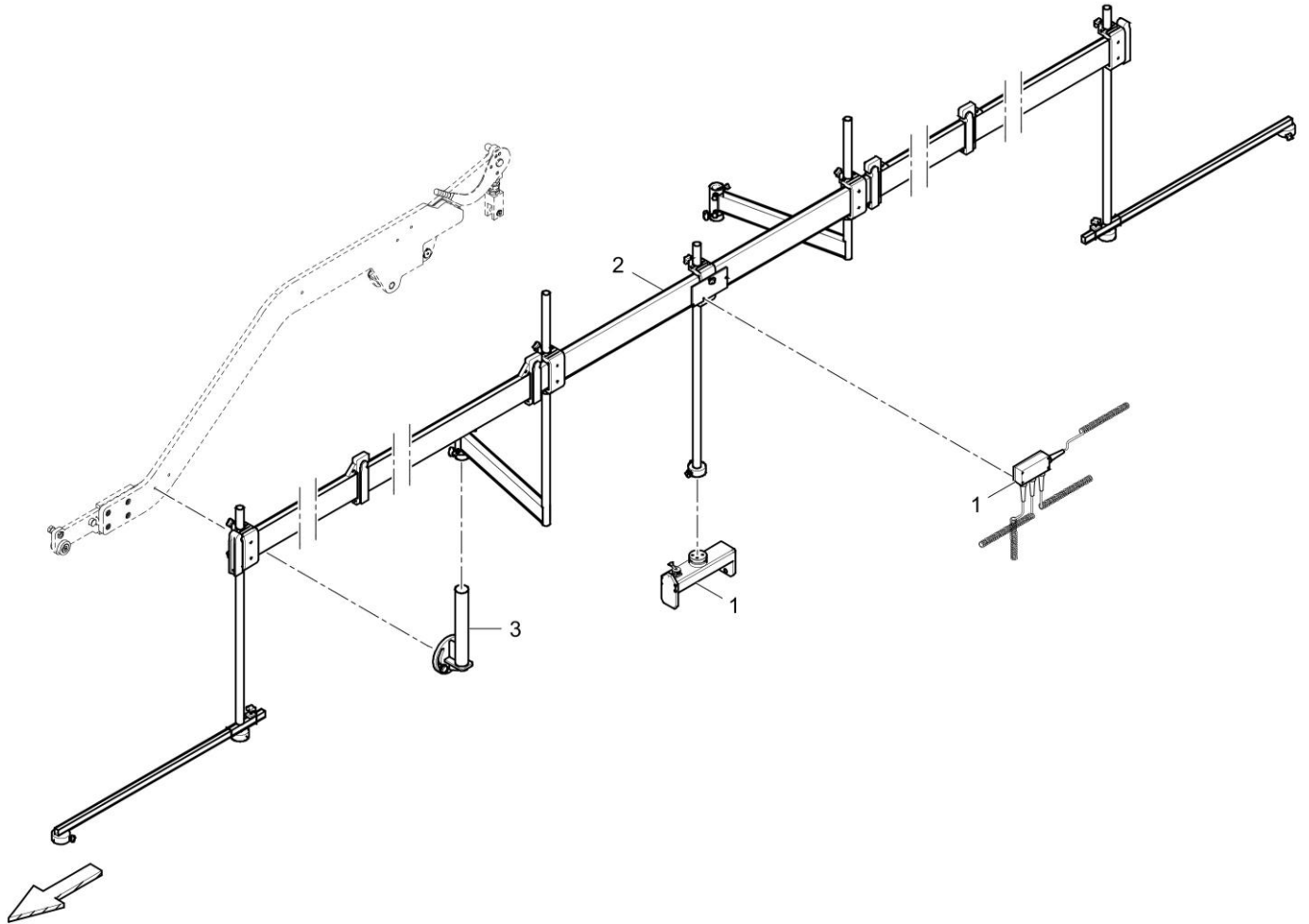
Item	Part No.	Name	Qty	L	C	SN INFO
1	40-4812018734	Harness W76	1			

40-4812038616 Ultrasonic sensor 40-4812038616 Ultrasonic sensor



Item	Part No.	Name	Qty	L	C	SN INFO
1	40-4812038602	Sensor	1			

40-4812042045 Big Ski 9 m cpl. 40-4812042045 Big Ski 9 m cpl.



Item	Part No.	Name	Qty	L	C	SN INFO
1	40-4812038564	Electric parts big ski	1			
2	40-4812042035	Big Ski 9 m	1			
3	40-4812038560	Side arm support	1	A		
3	40-4812004304	Side arm support	1	B		

Comments for Page: 40-4812042045 Big Ski 9 m

cpl. (L)OCAL REMARKS

A | en_US | L=620mm

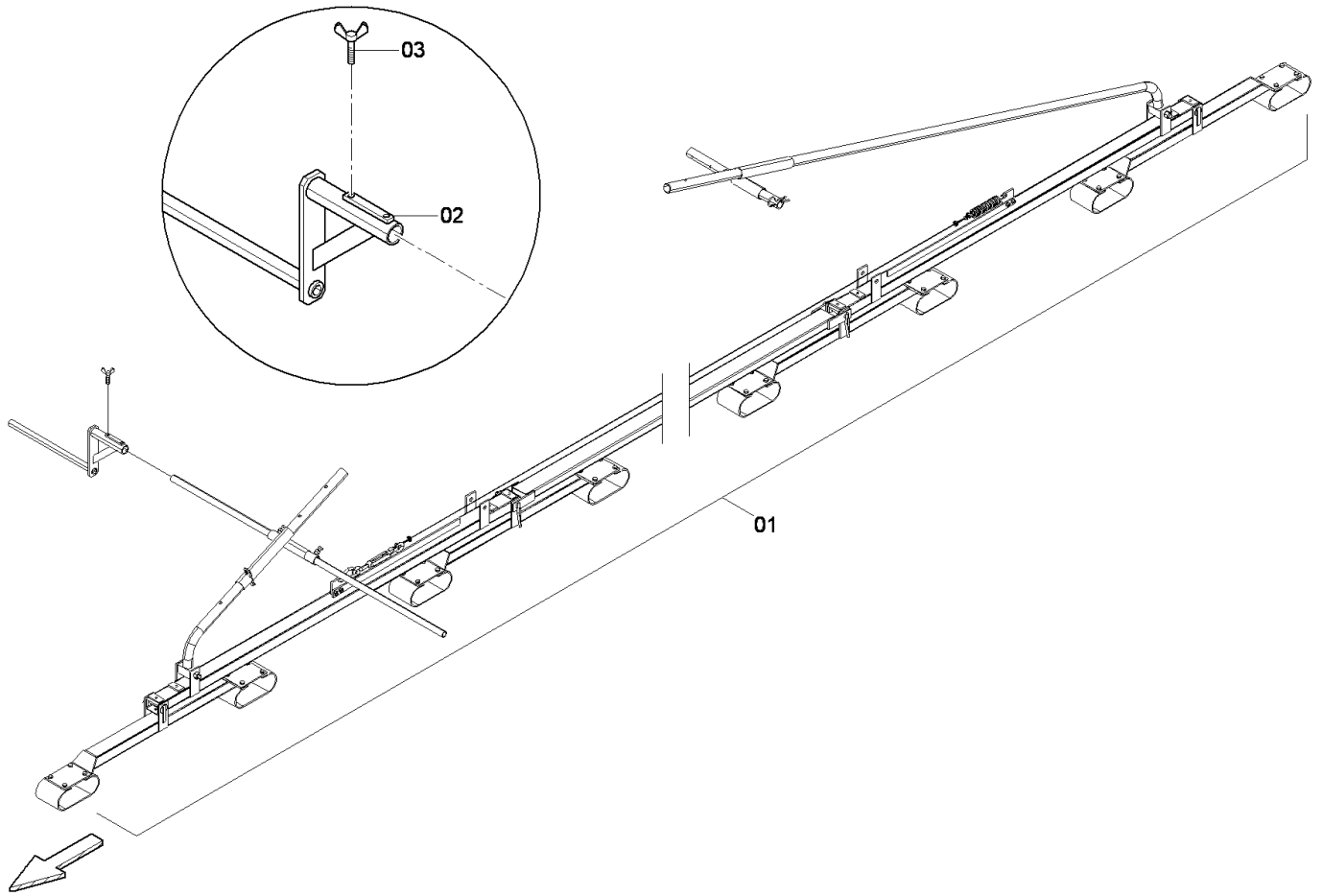
A | de_DE | L=620mm

B | en_US | L=330mm

B | de_DE | L=330mm

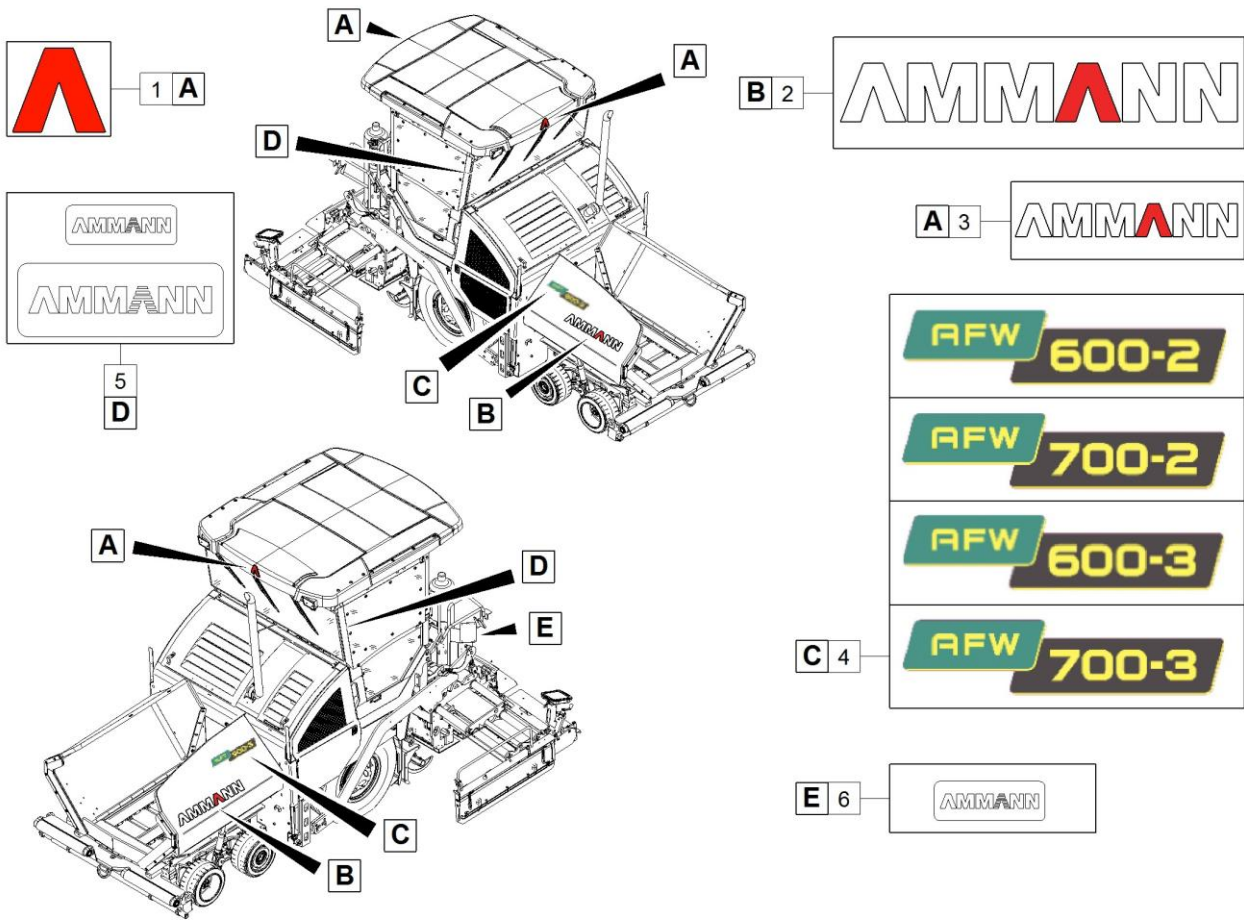
(L)OCAL REMARKS

40-D830031400 Trailing ski, 9m 40-D830031400 Trailing ski, 9m



Item	Part No.	Name	Qty	L	C	SN INFO
1	40-4700688226	Trailing ski, 9m	1			
2	40-D754902001	Balancer	1			
3	40-D937032652	Wing screw	2			

Decals Symbol



Item	Part No.	Name	Qty	L	C	SN INFO
1	40-4812024266	House mark	1			
2	40-4812024265	House mark 800mm	2			
3	40-4812024293	House mark 390mm	1			
4	40-4812024299	Decal AFW 600-2	2			
4	40-4812024309	Decal AFW 600-2 Special color	2			
4	40-4812024300	Decal AFW 700-2	2			
4	40-4812024292	Decal AFW 700-2 Special color	2			
4	40-4812024301	Decal AFW 600-3	2			
4	40-4812024310	Decal AFW 600-3 Special color	2			
4	40-4812024269	Decal AFW 700-3	2			
4	40-4812024304	Decal AFW 700-3 Special color	2			
5	40-4812024530	House mark konv.	1			
5	40-4812024312	House mark SPS	1			
6	40-4812024686	House mark 50mm	1			

Refer to Parts Online for the most up to date information. The printed information might be outdated.

Mon Feb 26 08:45:48 UTC 2018

CLICK HERE TO **DOWNLOAD** THE COMPLETE MANUAL

- Thank you very much for reading the preview of the manual.
- You can download the complete manual from: www.heydownloads.com by clicking the link below



- Please note: If there is no response to CLICKING the link, please download this PDF first and then click on it.

CLICK HERE TO **DOWNLOAD** THE COMPLETE MANUAL