

Spare parts catalogue

AFT 700-2

Cummins Tier3 / Stage III



Book ID: 10002150KM3004262

CLICK HERE TO **DOWNLOAD** THE COMPLETE MANUAL

- Thank you very much for reading the preview of the manual.
- You can download the complete manual from: www.heydownloads.com by clicking the link below

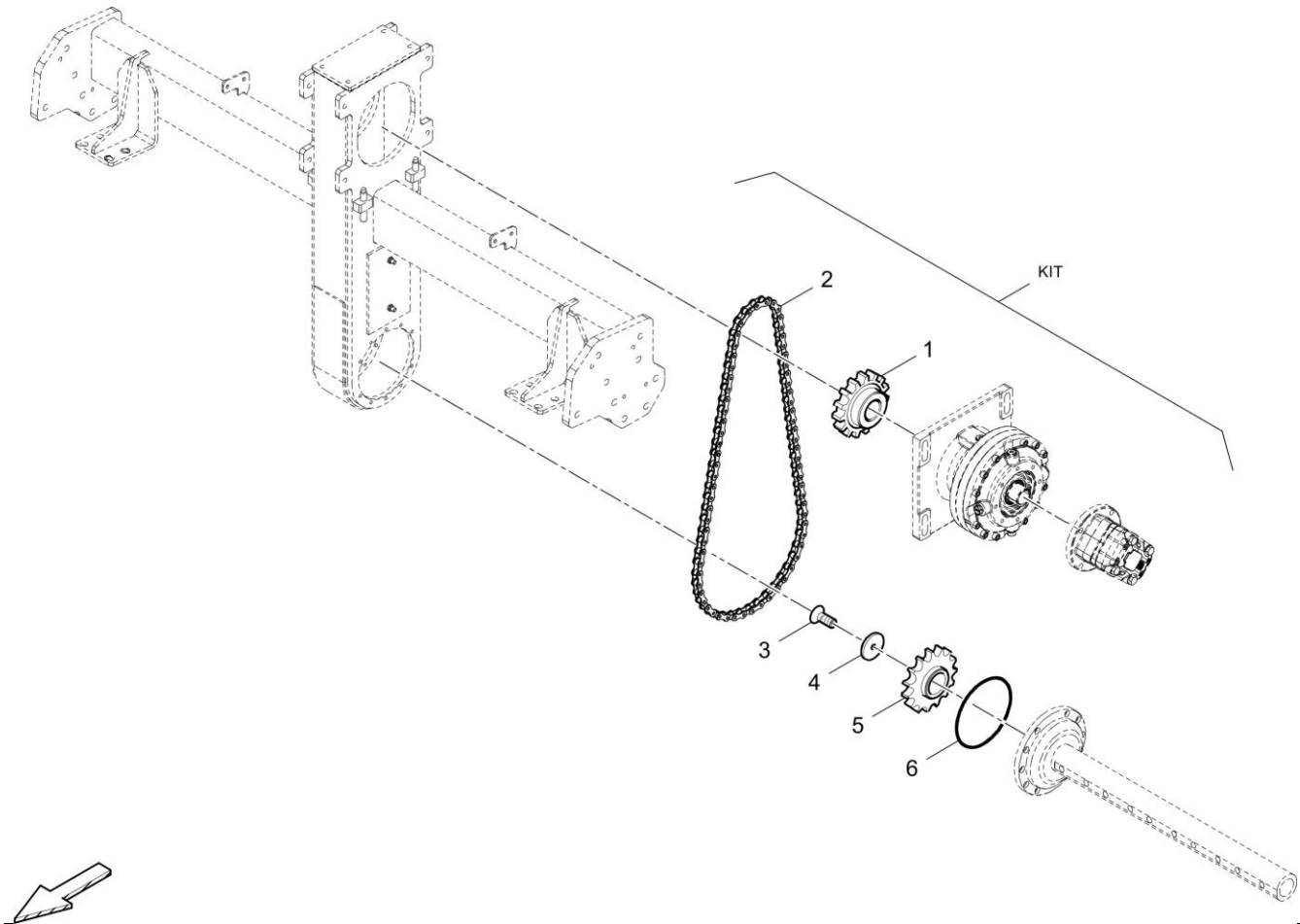


- Please note: If there is no response to CLICKING the link, please download this PDF first and then click on it.

CLICK HERE TO **DOWNLOAD** THE COMPLETE MANUAL

Support plate	
40-4812225681 Support plate.....	59
Retainer	
40-4812225682 Retainer.....	60
Cover	
40-4812225689 Cover.....	61
Door, l.h.	
40-4812064226 Door, l.h.....	62
Support rod	
40-4812041407 Support rod.....	63
Door, r. h.	
40-4812064222 Door, r.h.....	64
Support rod	
40-4812041407 Support rod.....	See page 63
Hood, r.h.	
40-4812074444 Hood, r.h.....	66
Hood, l.h.	
40-4812074698 Hood, l.h.....	68
Covering center part, l.h.	
40-4812225667 Covering center part, l.h.....	70
Covering center part, r.h.	
40-4812233556 Covering center part, r.h.....	71
Isolation	
40-4812009008 Isolation.....	72
Retainer, l.h.	
40-4812226380 Retainer, l.h.....	73
Retainer, r.h.	
40-4812226135 Retainer, r.h.....	74
Operator platform	
40-4812060019 Operator platform, fixed, weather roof	
40-4812060019 Operator platform, fixed, weather roof.....	75
Platform, cpl.	
40-4812239351 Plattform, cpl.....	76
Platform	
40-4812239350 Platform.....	77
Cable W94	
40-4812217152 Cable W94.....	80
Bottom plate, middle	
40-4812227769 Bottom plate, middle.....	83
40-4812064117 Bottom plate, middle.....	84
Base plate	
40-4812005148 Base plate.....	85

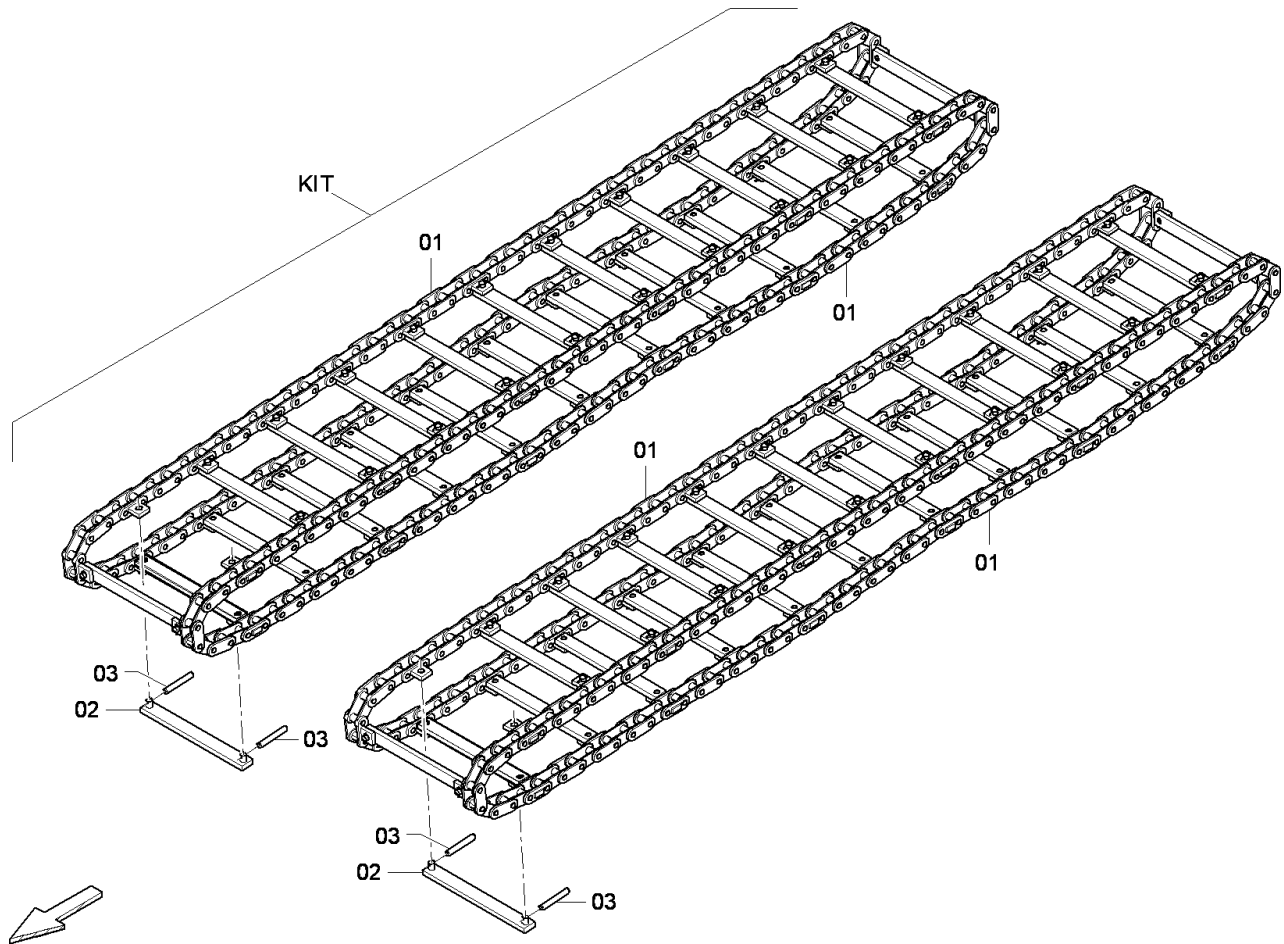
40-4812201910 12V installation.....	385
Cable W23	
40-4812024317 Cable W23.....	386
GPS installation	
40-4812074558 GPS installation.....	387
GPS module	
40-4812078171 GPS module.....	388
40-4812202582 Without fume absorbing system	
40-4812202582 Without fume absorbing system.....	389
Cover	
40-4812028733 Cover.....	390
Maintenance lid	
40-4812011195 Maintenance lid.....	391
40-4812063704 Indicator thickness, top	
40-4812063704 Indicator thickness, top.....	392
40-4812074550 Drivers seat Standard	
40-4812009465 Drivers seat Standard.....	394
Driver seat, cpl.	
40-4812009466 Drivers seat, cpl.....	395
40-4812061346 Fire extinguisher	
40-4812061346 Fire extinguisher.....	396
40-4812076693 Sprayer 25L, hose reel	
40-4812076693 Sprayer 25L, hose reel.....	397
Emulsion tank	
40-4812076114 Emulsion tank.....	398
Hose reel	
40-4812217867 Hose reel.....	400
Hose reel	
40-4812216609 Hose reel.....	401
Spray arm	
40-4812217384 Spray arm.....	402
Electric, emulsion spray	
40-4812076614 Electric, emulsion spray.....	403
Cable	
40-4812076616 Cable W36.....	404
40-4812041024 Material chute	
40-4812041024 Material chute.....	405
40-4812045427 Material tunnel installation kit	
40-4812045427 Material tunnel installation kit.....	407
Material tunnel 230	
40-4812045416 Material tunnel, 230mm.....	See page 220
Protection cover	
40-4812045421 Protection cover.....	409

Auger kits 40-4812075191 Renewal kit I, auger drive - Valid from OG001393, ff.

Item	Part No.	Name	Qty	L	C	SN INFO
KIT	40-4812075191	Renewal kit I, auger drive	1			
1	40-4812009396	Drive sprocket	1			
2	40-4812018440	Roller chain	1			
2.1	40-4812071488	Chain lock set	1			
3	40-0216195762	Countersunk screw	1			
4	40-4812026723	Cover	1			
5	40-4812030443	Sprocket	1			
6	40-D932315443	O-ring	1			

Refer to Parts Online for the most up to date information. The printed information might be outdated.

Fri May 07 07:33:54 UTC 2021

Conveyor kit 40-4812027444 Wear part kit conveyor chain, double bars

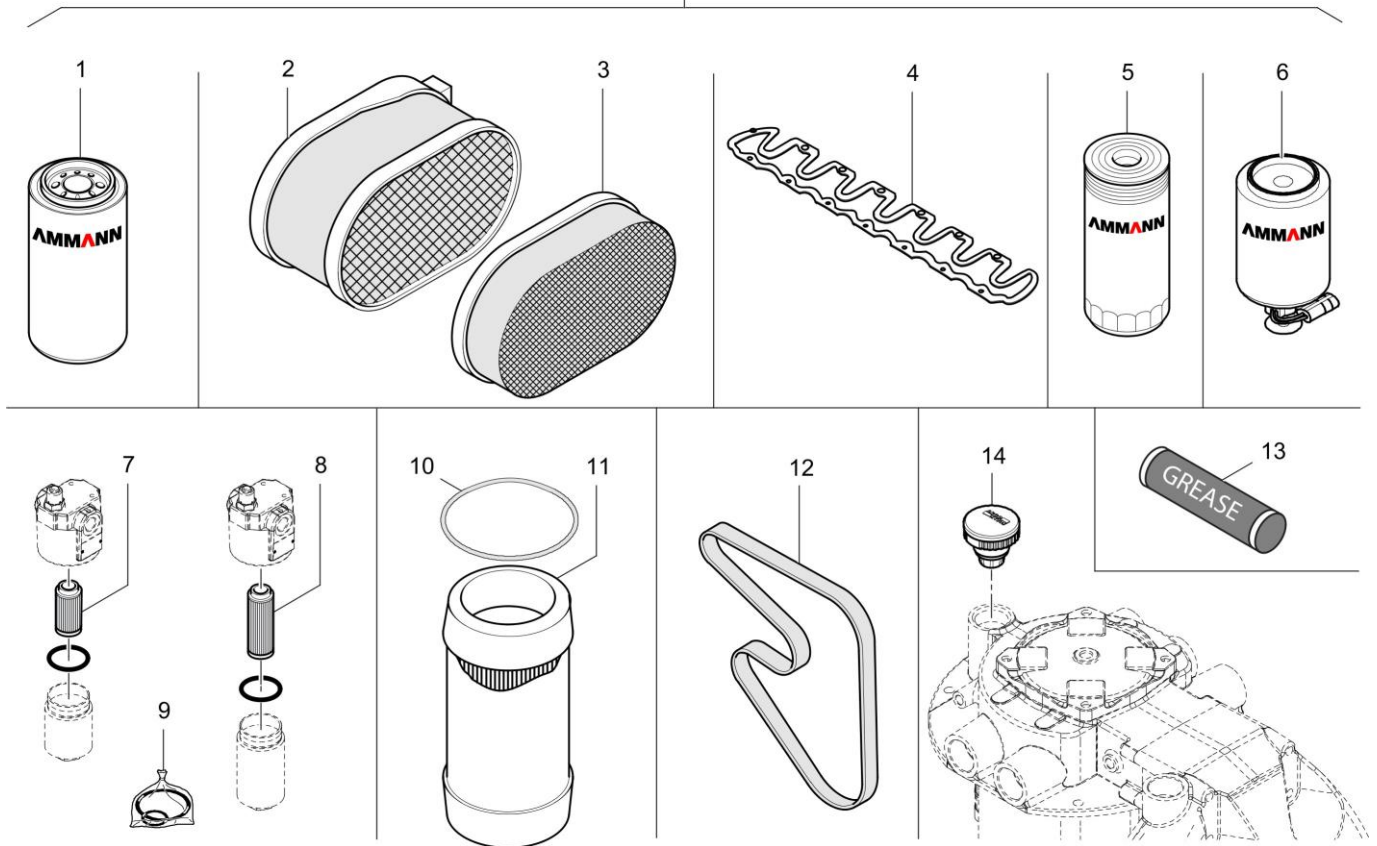
Item	Part No.	Name	Qty	L	C	SN INFO
KIT	40-4812027444	Wear part kit conveyor chain, double	1			
1	40-4812045200	Chain	4			
1_01	40-4812033970	Chain joint	1			
2	40-4812027533	Conveyor bar	48			
3	40-D931500924	Dowel pin	96			

Refer to Parts Online for the most up to date information. The printed information might be outdated.

Fri May 07 07:33:58 UTC 2021

Service kit 1000 h 40-4812071042 Service kit 1000h TIER 3**1000 Stunden / Hours**

KIT

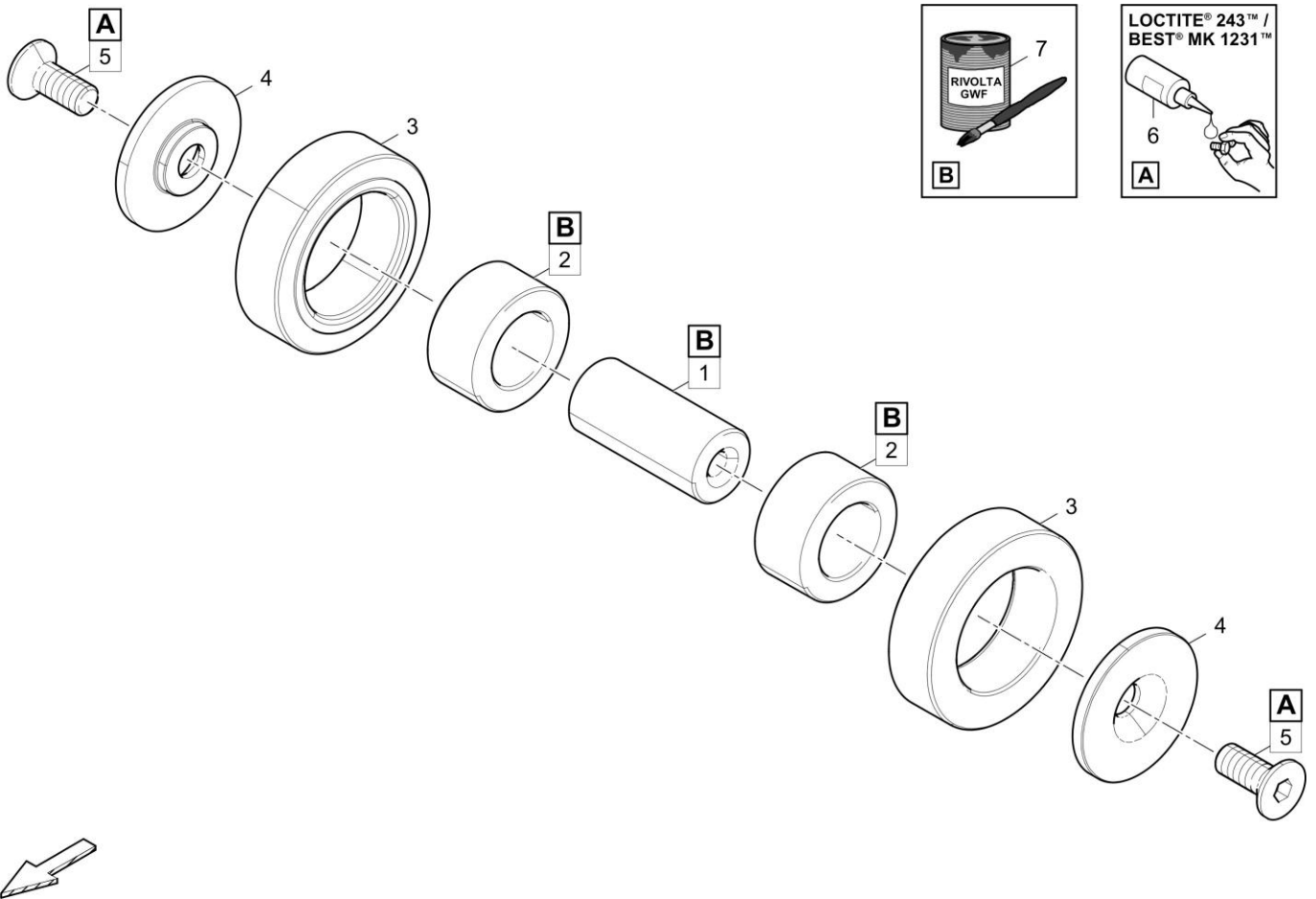


Item	Part No.	Name	Qty	L	C	SN INFO
KIT	40-4812071042	Service kit 1000 h TIER 3, stage 2	1			
1	40-4700939082	Oil filter	1			
2	40-4812040418	Filter	1			
3	40-4812040416	Filter	1			
4	40-4700945171	Valve cover seal	1			
5	40-4700945624	Filter, fuel	1			
6	40-4700945147	Fuel pre-filter	1			
7	40-4812018071	Filter element	1			
8	40-4812018072	Filter	1			
9	40-D932213784	O-ring	2			
10	40-4812015479	O-ring	1			
11	40-4812034802	Filter element	1			
12	40-4812034895	Flat belt	1			
13	40-4812161897	Paver Grease / 1 cartridge	3			
14	40-4812009437	Vent filter	1			

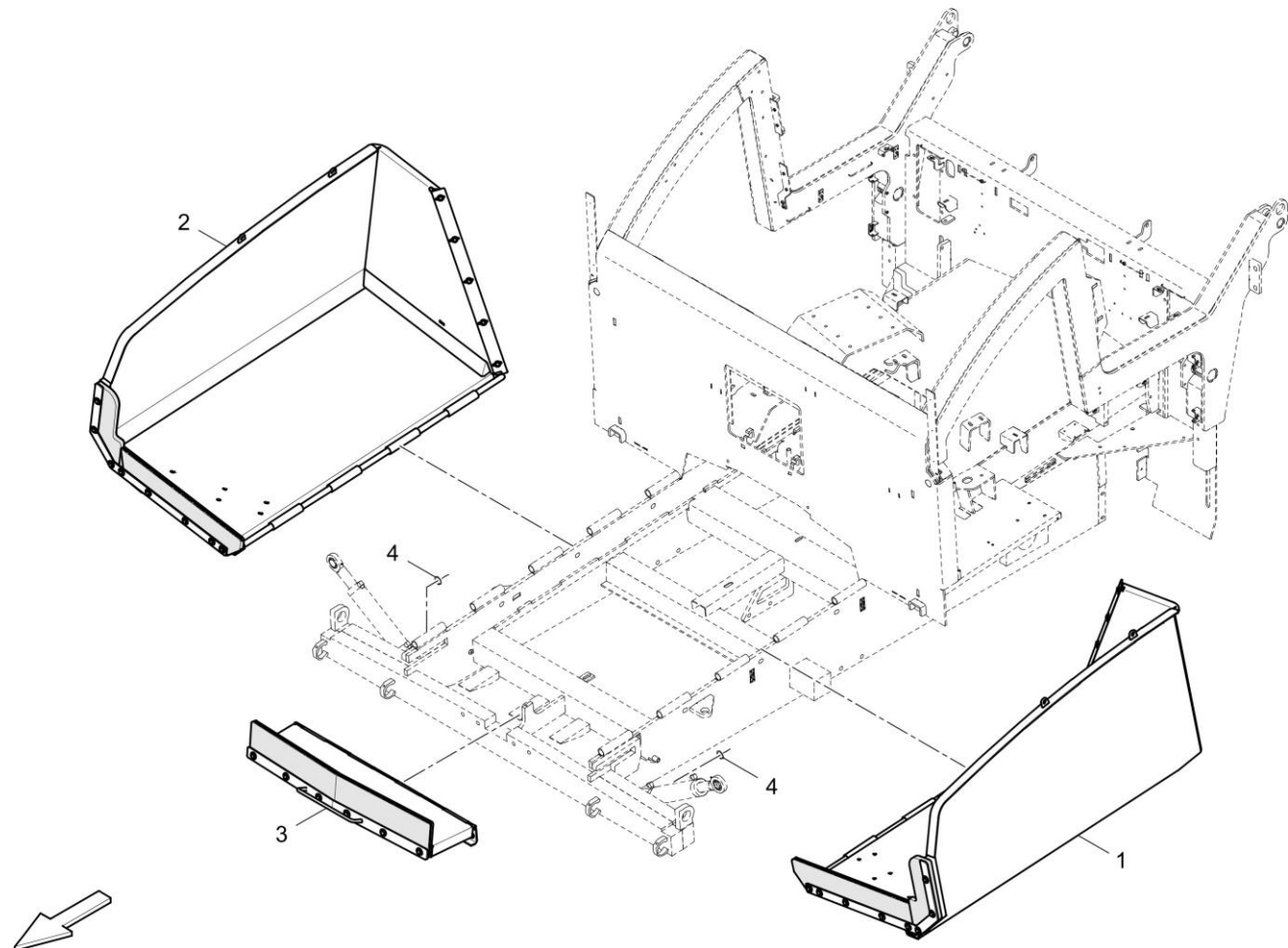
Refer to Parts Online for the most up to date information. The printed information might be outdated.

Fri May 07 07:34:06 UTC 2021

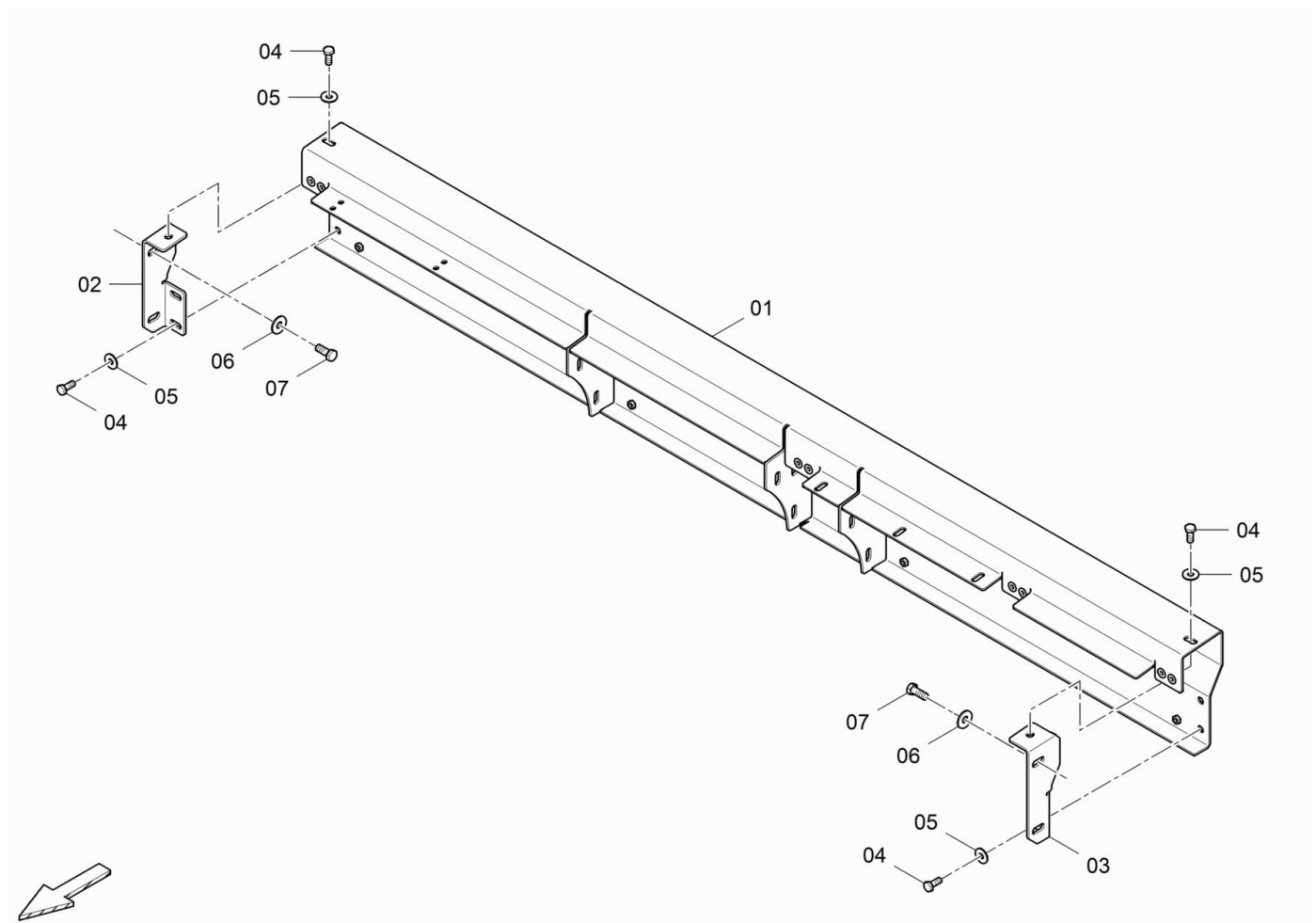
Side arm guiding 40-4812232214 Side arm guiding



Item	Part No.	Name	Qty	L	C	SN INFO
1	40-4812235236	Bolt	1			
2	40-4812018902	Bushing	2			
3	40-4812232212	Guide roller	2			
4	40-4812235235	Disc	2			
5	40-0216195762	Countersunk screw	2			
6	40-4747400034	Thread locking, 250ml	1			
7	40-4747400039	Mounting paste	1			

Hopper with dump plate 40-4812229083 Hopper with dump plate

Item	Part No.	Name	Qty	L	C	SN INFO
1	40-4812229108	Hopper, l.h.	1			
2	40-4812229107	Hopper, r.h.	1			
3	40-4812028563	Bulk material flap	1			
4	40-4749900349	Circlip	2			

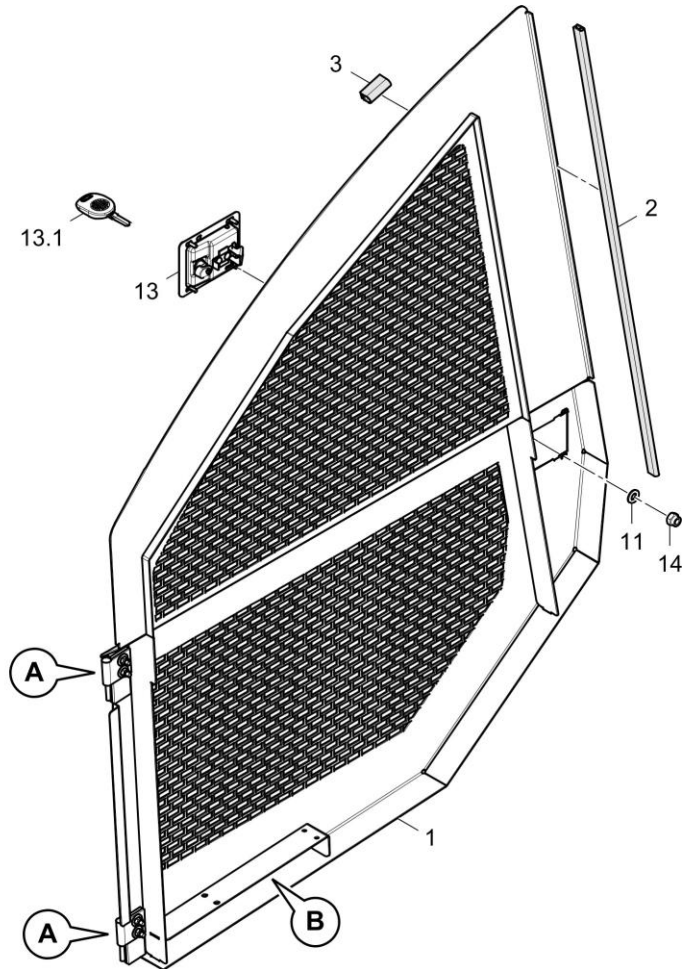
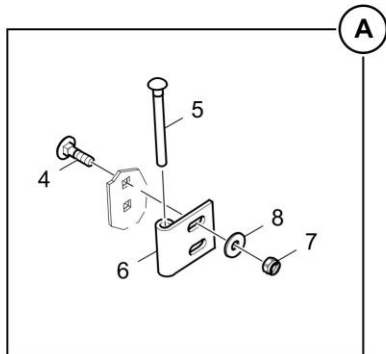
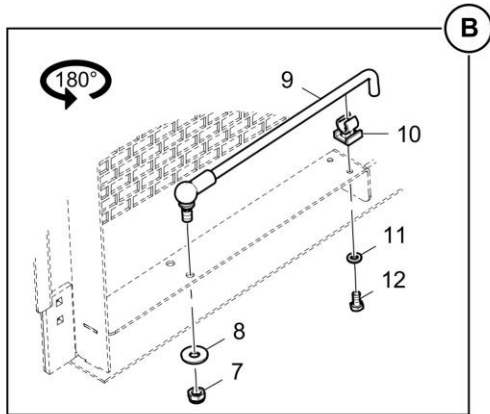
Hood support 40-4812225685 Hood support

Item	Part No.	Name	Qty	L	C	SN INFO
1	40-4812225686	Carrier	1			
2	40-4812226535	Retainer r.h.	1			
3	40-4812226532	Retainer l.h.	1			
4	40-0147136203	Hex.bolt M10x25	6			
5	40-D939515029	Washer	6			
6	40-D939515032	Washer	4			
7	40-0147140103	Screw	4			

Refer to Parts Online for the most up to date information. The printed information might be outdated.

Fri May 07 07:34:24 UTC 2021

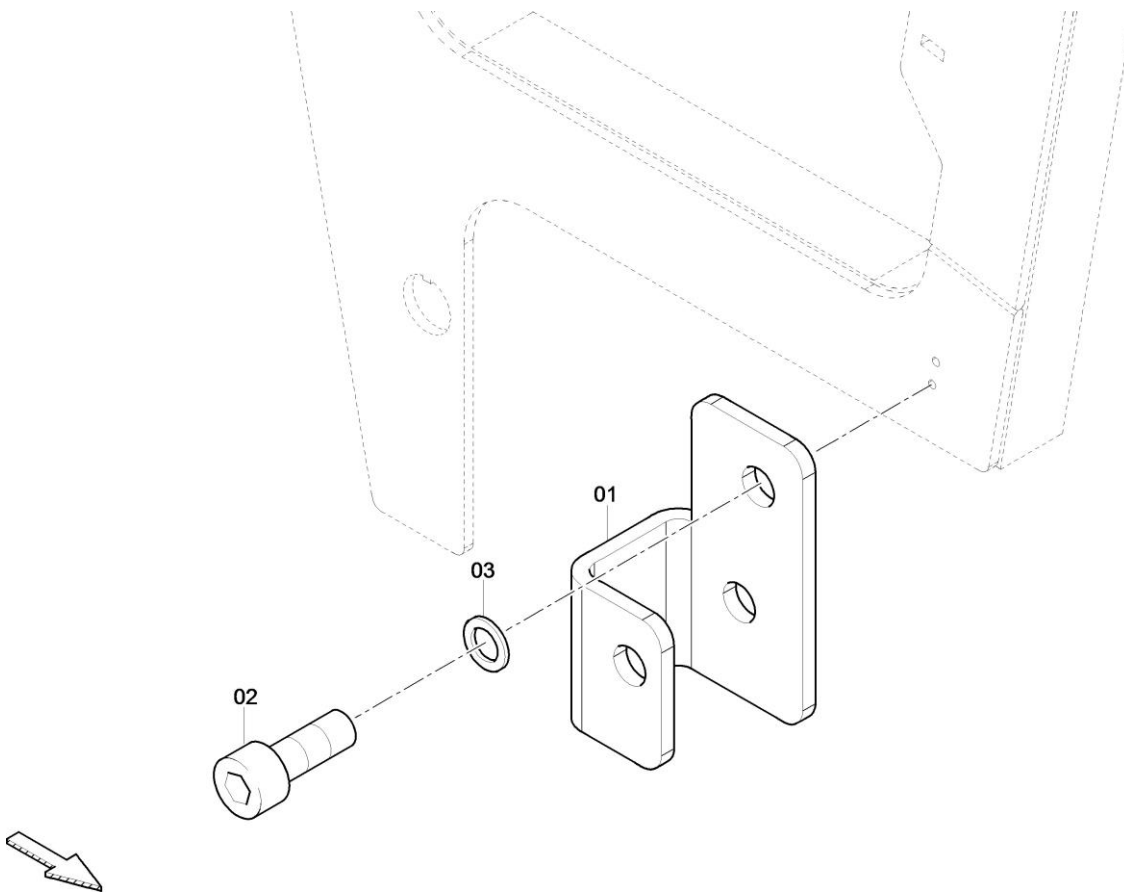
Door, r. h. 40-4812064222 Door, r.h.



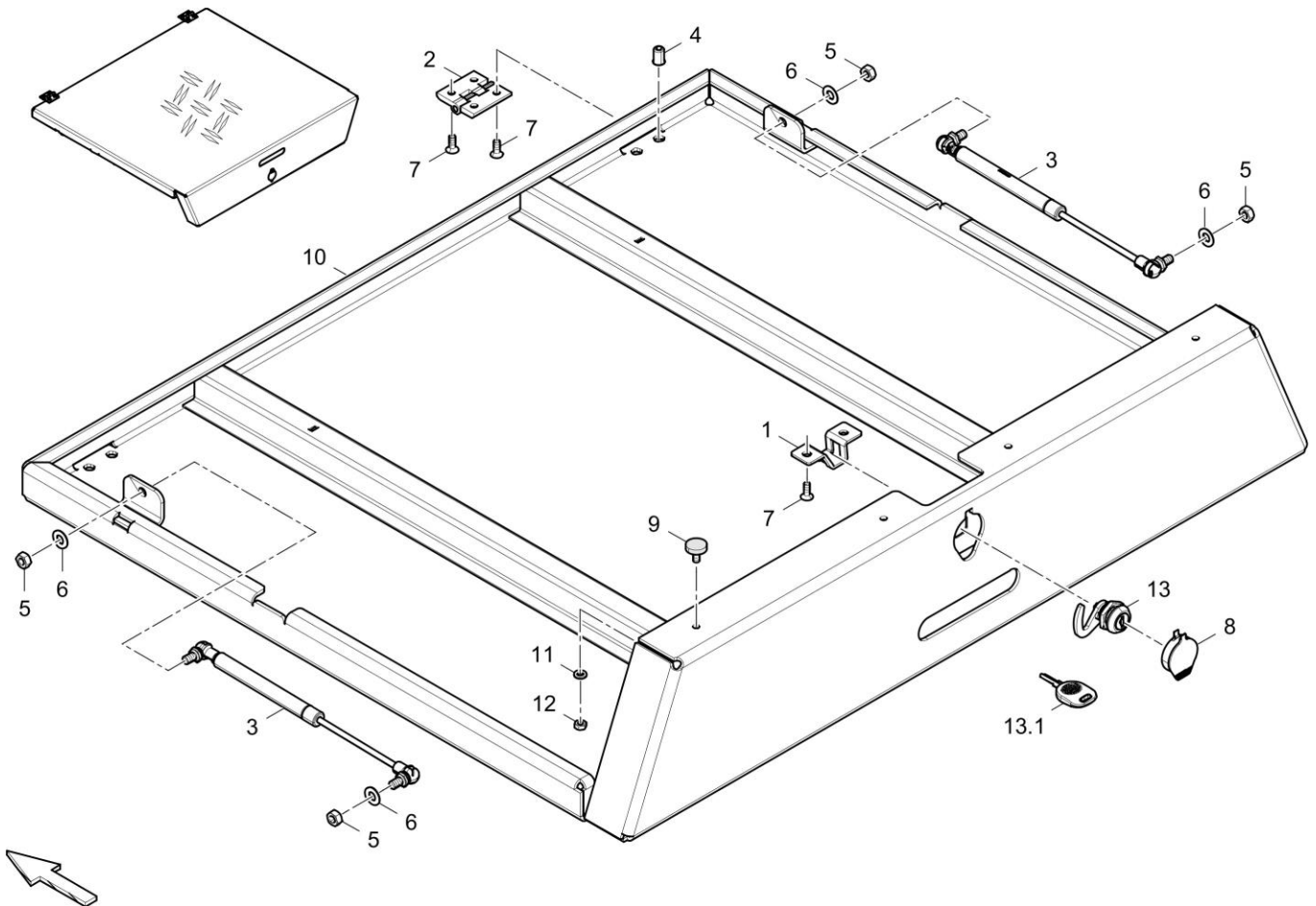
Item	Part No.	Name	Qty	L	C	SN INFO
1	40-4812225726	Plate	1			
2	40-D930235495	Profiled joint x m	1.1			
3	40-D930280172	Profiled joint x m	1.5			
4	40-0226991529	Flat head screw	4			
5	40-4812033152	Pin	2			
6	40-4812033146	Hinge	2			
7	40-0291118802	Hexagon nut	5			
8	40-D939505023	Washer	5			
9	40-4812041407	Support rod	1			
10	40-D953509710	Clip	1			
11	40-0301232100	Plain washer	5			
12	40-0147124403	Screw	1			
13	40-4812017037	Handle	1			For locking system # 603
13.1	40-4812075369	Key	1			
14	40-0291112854	Hexagon nut	4			

Refer to Parts Online for the most up to date information. The printed information might be outdated.

Fri May 07 07:34:27 UTC 2021

Retainer, r.h. 40-4812226135 Retainer, r.h.

Item	Part No.	Name	Qty	L	C	SN INFO
1	40-4812226377	Plate	1			
2	40-0211132603	Hex. sock. screw	2			
3	40-0333310036	Schnorr-lock washer	2			

Bottom plate, middle 40-4812064117 Bottom plate, middle

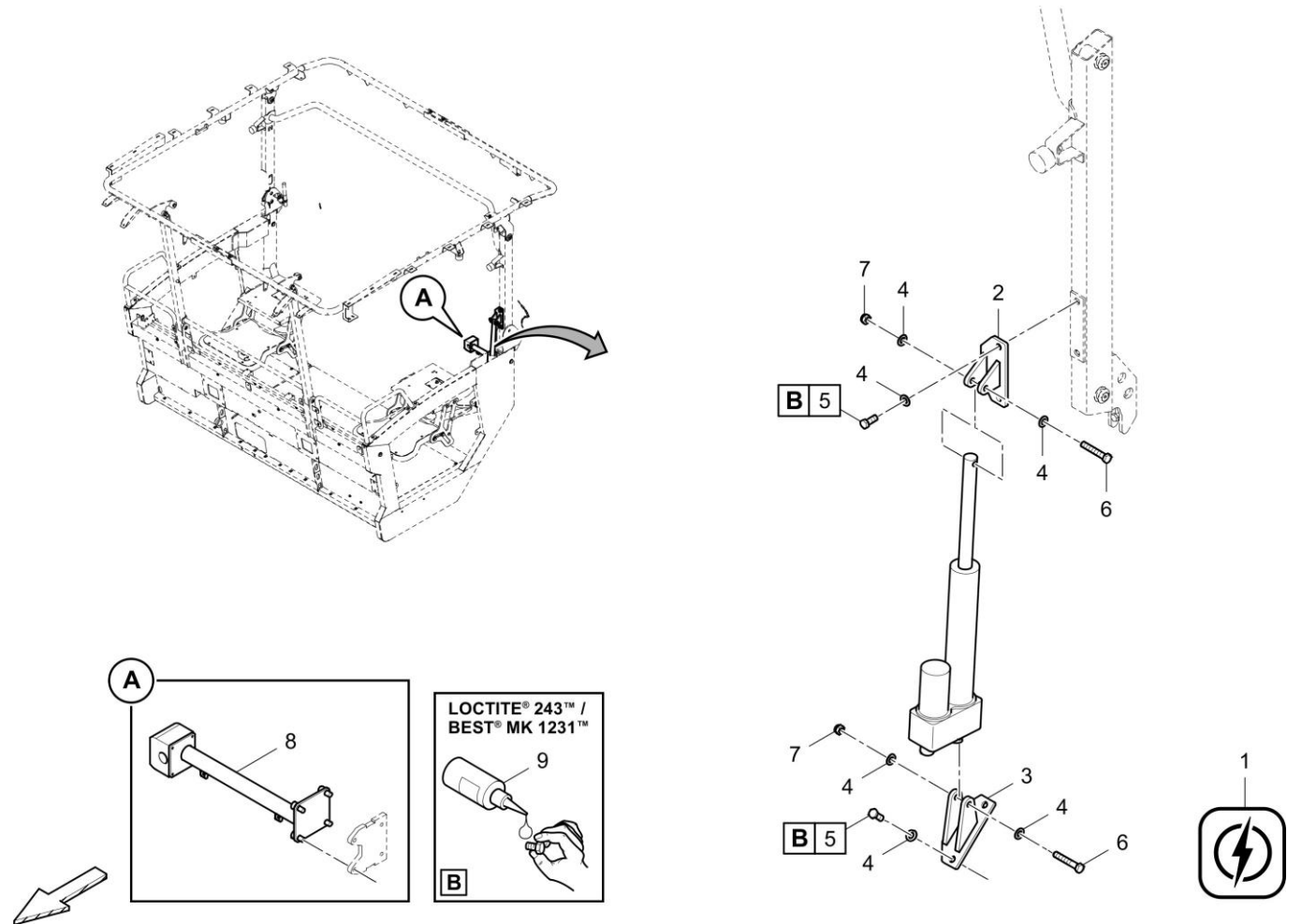
Item	Part No.	Name	Qty	L	C	SN INFO
1	40-4812064115	Latch retainer	1			
2	40-4749302191	Hinge	2			
3	40-4812036927	Pneumatic spring	2			
4	40-4812040808	Blind rivet	4			
5	40-0266211000	Hexagon nut	4			
6	40-D939505038	Washer	4			
7	40-0216195726	Hex sock. screw	10			
8	40-4812041418	Dust cap	1			
9	40-4812034260	Rubber buffer	4			
10	40-4812064118	Bottom plate, middle	1			
11	40-0301232100	Plain washer	4			
12	40-5730015118	Hexagon nut	4			
13	40-4812076278	Rotary latch lock	1			For locking system # 603
13.1	40-4812075369	Key	1			

Refer to Parts Online for the most up to date information. The printed information might be outdated.

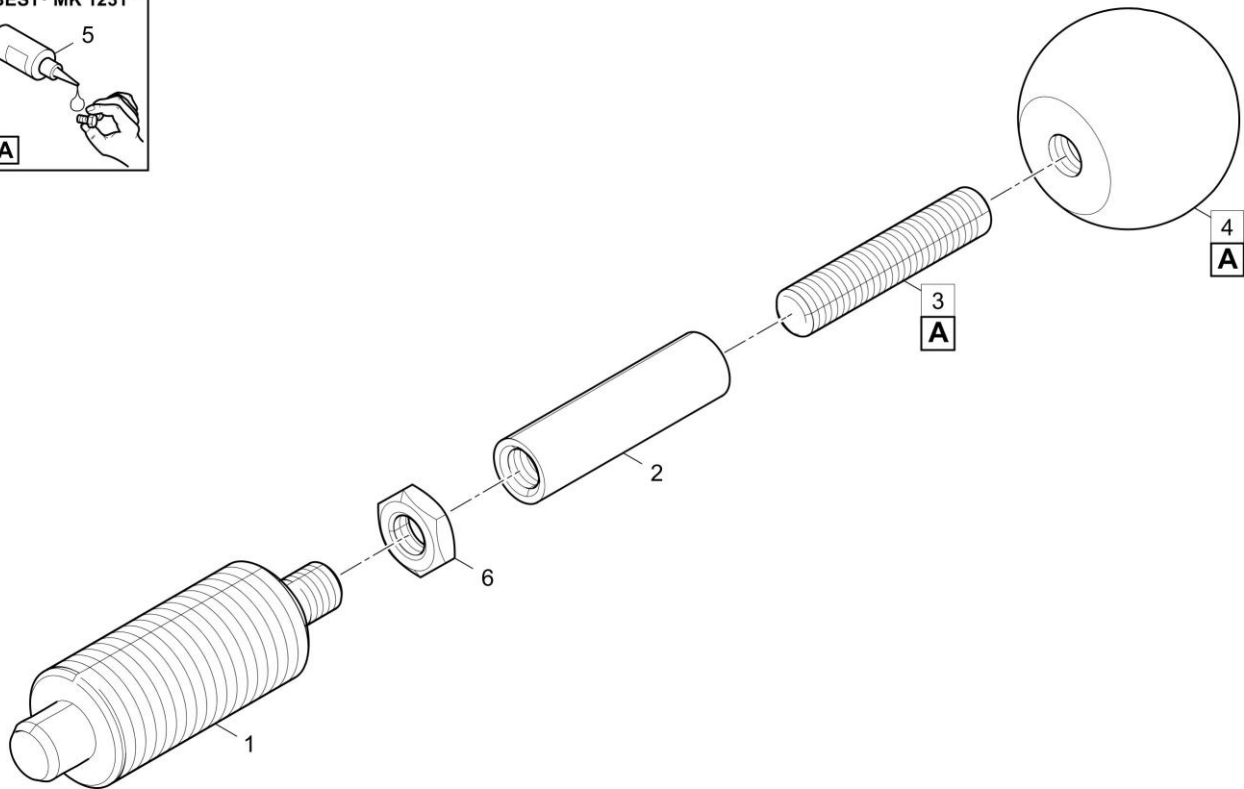
Fri May 07 07:34:35 UTC 2021

Item	Part No.	Name	Qty	L	C	SN INFO
17	40-0147132703	Hexagon bolt	2			
18	40-0291118802	Hexagon nut	2			
19	40-4812007091	Washer	1			
20	40-0216195783	Countersunk screw	4			
21	40-0147136303	Screw	7			
22	40-0302127405	Washer	4			
23	40-5541396800	Hexagon nut	4			
24	40-0147125103	Hex. head screw	1			
25	40-0291112854	Hexagon nut	1			
26	40-4812228345	Carrier	1			

Linear actuators 40-4812060175 Linear actuators

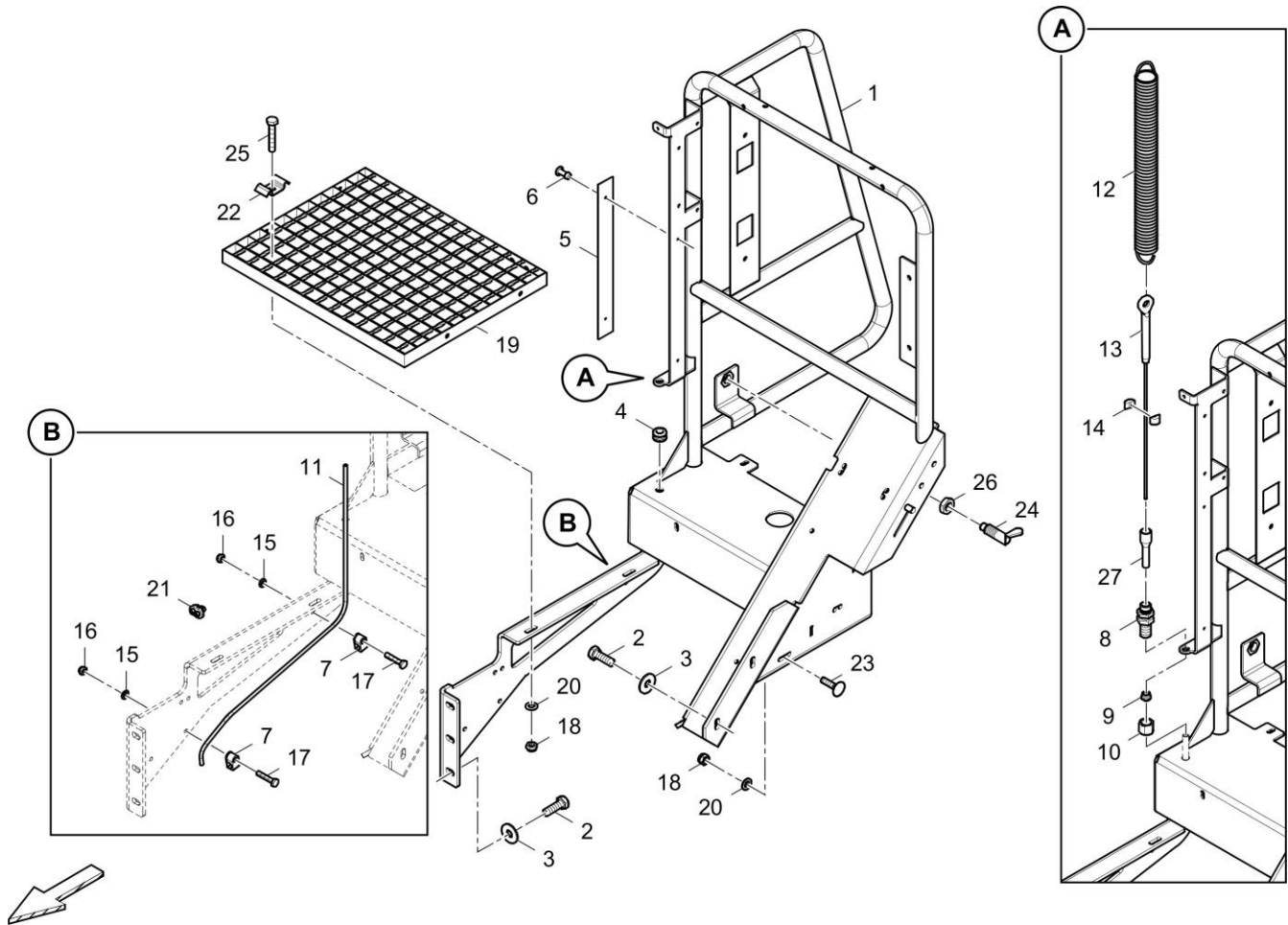


Item	Part No.	Name	Qty	L	C	SN INFO
1	40-4812217153	Electric	1			
2	40-4812060122	Mounting bracket, l.h.	1			
3	40-4812060126	Mounting bracket, l.h.	1			
4	40-0301235800	Plain washer	8			
5	40-0147140103	Screw	4			
6	40-5540540400	Hexagon head screw	2			
7	40-5541221000	Hexagon nut	2			
8	40-4812217328	Retainer	1			
9	40-4747400034	Thread locking, 250ml	1			

Stop bolt 40-4812007259 Stop bolt

Item	Part No.	Name	Qty	L	C	SN INFO
1	40-D930404670	Stop bolt	1			
2	40-4812007237	Threaded socket	1			
3	40-D937948554	Threaded pin	1			
4	40-D930298018	Ball knob	1			
5	40-4747400034	Thread locking, 250ml	1			
6	40-0261211000	Nut	1			

Ascent, l.h. 40-4812217871 Ascent, l.h.



Item	Part No.	Name	Qty	L	C	SN INFO
1	40-4812217875	Ascent, l.h.	1			
2	40-0147136303	Screw	5			
3	40-D939515029	Washer	5			
4	40-4812031296	Cable bushing	1			
5	40-D990000402	Scale	1			
6	40-4749302758	Blind rivet	2			
7	40-D934360025	Clamp	2			
8	40-D961906006	Straight bulkhead coupling	1			
9	40-D961102056	Olive	1			
10	40-D961102006	Nut	1			
11	40-4812014442	Pipeline	1			
12	40-4812073458	Draw spring	1			
13	40-4812039250	Rope	1			
14	40-4812039248	Clamping	1			
15	40-0301232100	Plain washer	2			
16	40-0291118507	Nut	2			

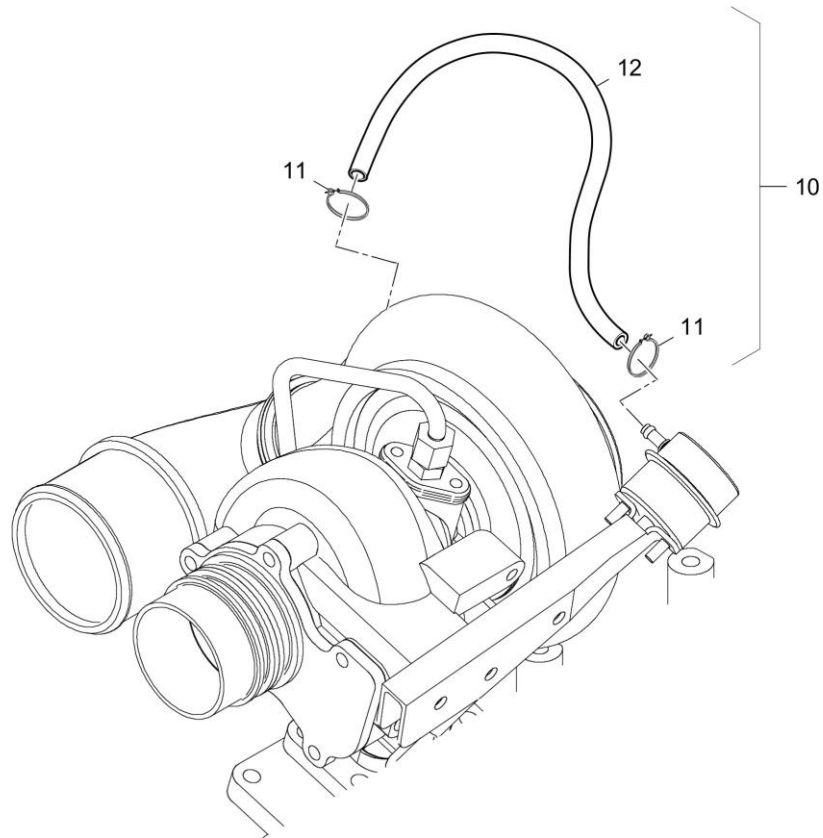
Refer to Parts Online for the most up to date information. The printed information might be outdated.

Fri May 07 07:34:55 UTC 2021

Item	Part No.	Name	Qty	L	C	SN INFO
20	40-4812038949	Air filter cpl.	1			
20.1	40-4812040418	Filter	1			
20.2	40-4812040416	Filter	1			
20.3	40-4812040415	Dust cap	1			
21	40-D756087635	Tube	1			
22	40-4812040308	Hose	1			
23	40-4812035582	Hose	1			
24	40-D934349005	Clamp	2			
25	40-4812035564	Hose	1			
26	40-4812035565	Hose	1			
27	40-D934400009	Clamp	4			
28	40-D934349107	Clamp	2			
29	40-4812202115	Clamp	1			
30	40-4812037159	Insulating board	1			
31	40-4812037176	Insulating board	1			
32	40-4812037177	Insulating board	1			
33	40-4812037179	Insulating board	1			
34	40-D932702334	Seal ring	1			
35	40-0147132303	Hexagon bolt	12			
36	40-0147132203	Hexagon head screw	3			
37	40-4812039051	Insulating board	1			
38	40-4812039053	Insulating board	1			
39	40-4812039057	Pressure switch	1			
40	40-0266211000	Hexagon nut	3			
41	40-4812040293	Retainer	1			
42	40-D934362095	Clamp	1			
43	40-4812018943	Clamp hoses package	2			
43.1	40-D934349115	Clamp	1			
43.2	40-D934349104	Hose clamp	1			
44	40-4812018946	Clamp hoses package	2			
44.1	40-D934349104	Hose clamp	1			
44.2	40-D934349106	Spring band clamp	1			
45	40-0147132503	Hex. Head screw M8 x 25	6			
46	40-4812072514	Retainer	1			
47	40-D930458511	Buffer	4			
48	40-0147135703	Screw cap hex	4			
49	40-0300013040	Flat washer	6			
100	40-4812013615	Flangue	2			

Refer to Parts Online for the most up to date information. The printed information might be outdated.

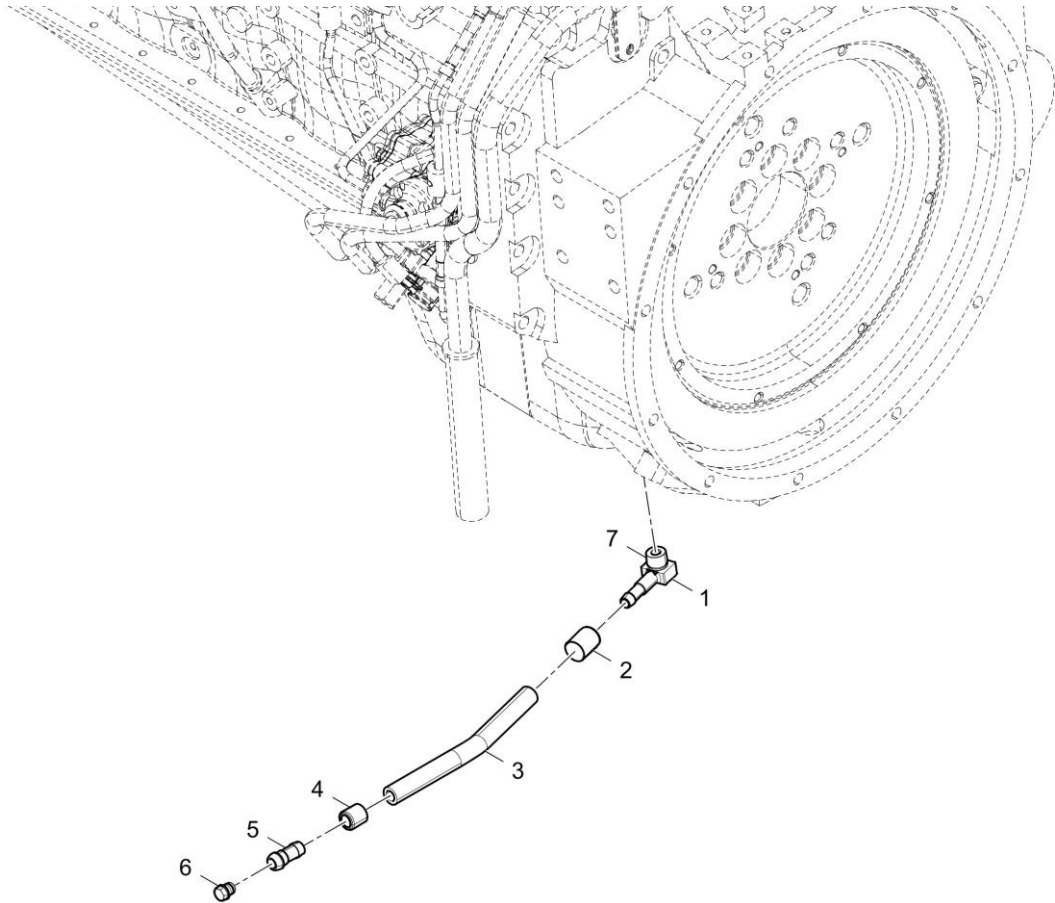
Fri May 07 07:35:01 UTC 2021



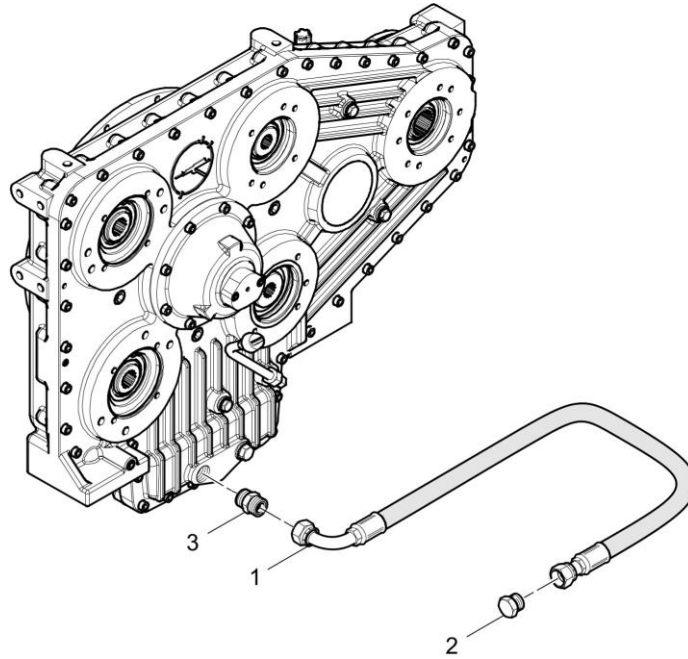
Item	Part No.	Name	Qty	L	C	SN INFO
1	40-D961135370	Male connector	4			
2	40-0147140003	Screw	3			
3	40-0333310043	Schnorr-lock washer	3			
4	40-4812013041	Hose	2			
5	40-0147132303	Hexagon bolt	4			
6	40-0333310036	Schnorr-lock washer	4			
7	40-4812233986	Filter retainer	1			
8	40-0147140203	Hex. head screw M12 x 35	2			
9	40-0301235800	Plain washer	2			
10	40-4812037898	Hose cpl.	1			
11	40-4812035901	Clamp	2			
12	40-4812035900	Hose	1			
13	40-D634080110	Retainer	1			
14	40-0333310036	Schnorr-lock washer	2			
15	40-0147132503	Hex. Head screw M8 x 25	1			
16	40-0147132912	Hex bolt	1			
17	40-0266211000	Hexagon nut	1			

Refer to Parts Online for the most up to date information. The printed information might be outdated.

Fri May 07 07:35:07 UTC 2021

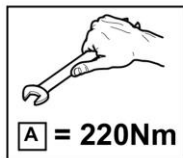
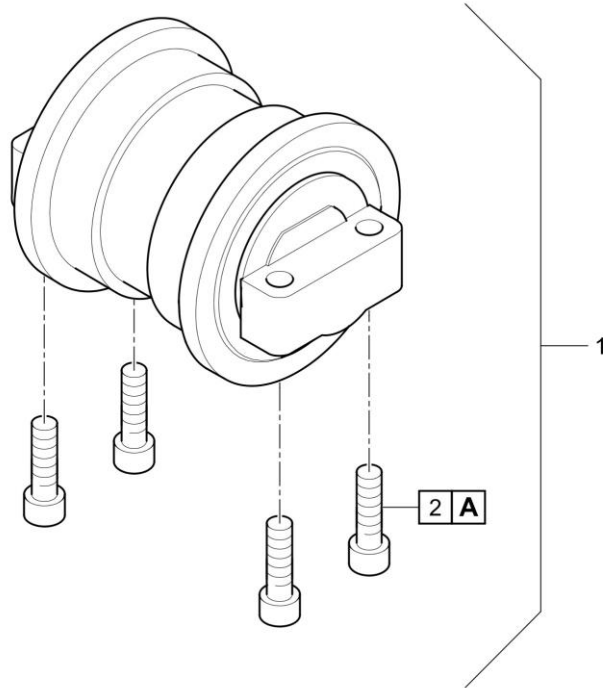
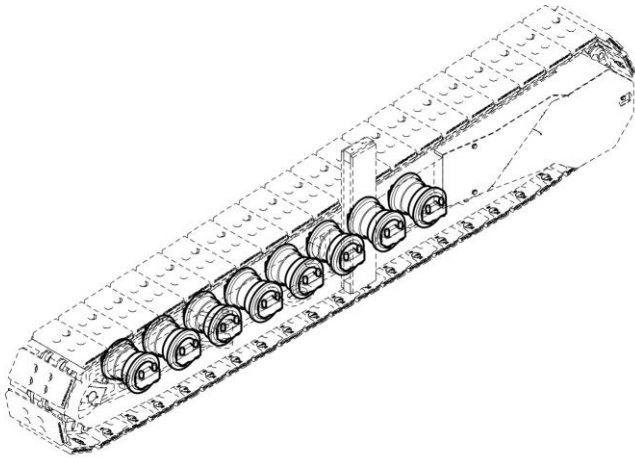
Oil drain 40-4812023352 Oil drain

Item	Part No.	Name	Qty	L	C	SN INFO
1	40-4812019720	Connecting tube	1			
2	40-D953502699	Hose cap	1			
3	40-4812023354	Hose	1	,65		
4	40-D953502701	Hose cap	1			
5	40-D953502386	Nipple	1			
6	40-4812023355	Plug	1			
7	40-4812023971	Band	0	,20		

Gear oil drain 40-4812037689 Gear oil drain

Item	Part No.	Name	Qty	L	C	SN INFO
1	40-4812019103	Hose	1			
2	40-D961358250	Locking tappet	1			
3	40-D961935135	Male connector	1			

Track roller 40-4812215845 Track roller, small



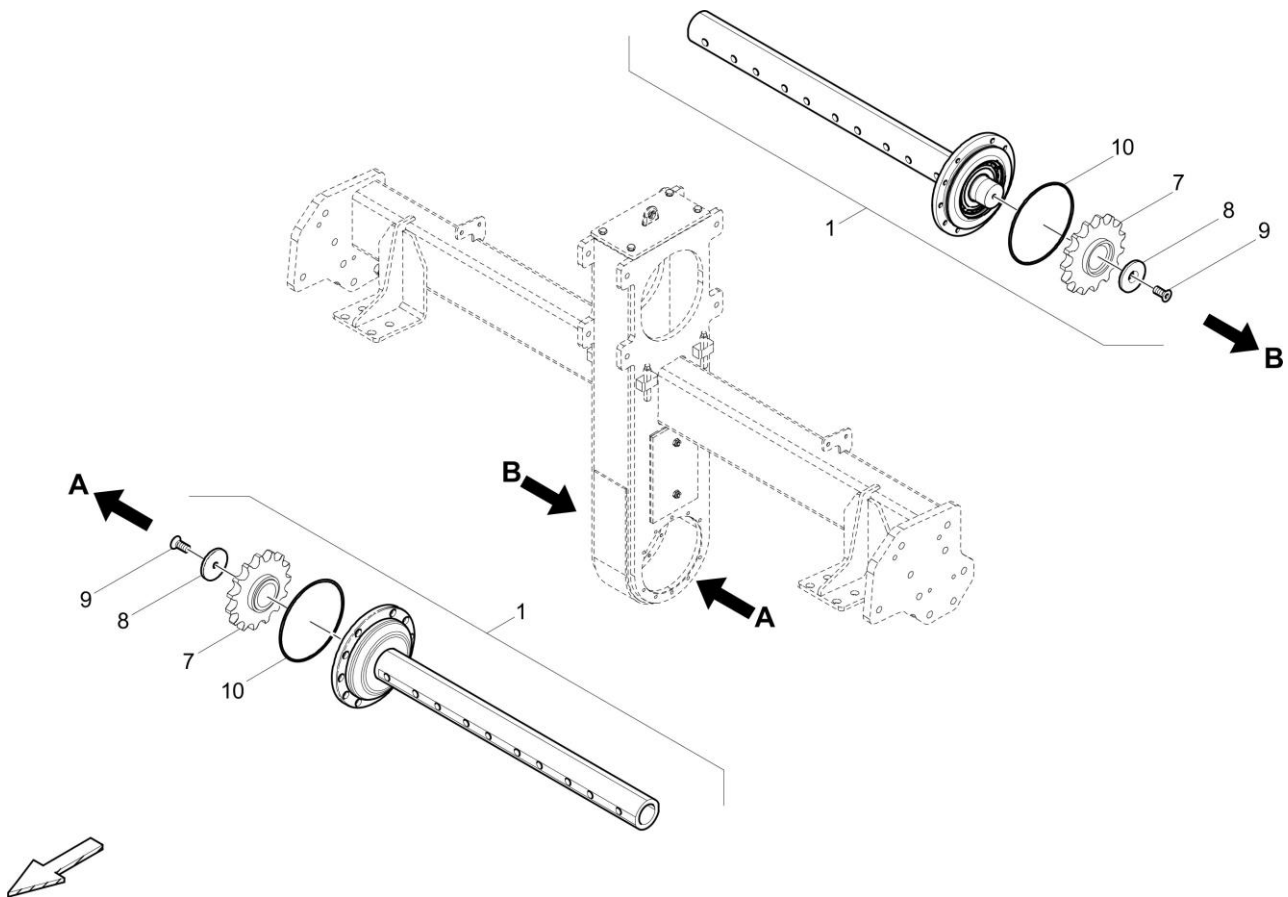
Item	Part No.	Name	Qty	L	C	SN INFO
1	40-4812043053	Track roller, small	1			
2	40-4812015668	Hexagon socket head cap screw	4			

	Referenced Pages	
40-4812035018 Drive gear box.....		177
	Referenced Pages	
40-4812027192 Drive gear box.....		176

Item	Part No.	Name	Qty	L	C	SN INFO
18	40-0211117803	Screw	2			
25	40-4812024882	Distance sleeve	1			
26	40-D939476170	Countersunk screw	1			
27	40-5730015118	Hexagon nut	1			

Item	Part No.	Name	Qty	L	C	SN INFO
17	40-0211117803	Screw	2			
18	40-4812024882	Distance sleeve	1			
19	40-5730015118	Hexagon nut	1			
20	40-D939476170	Countersunk screw	1			
21	40-0335112200	Lock rail	2			
22	40-4230095800	Adjusting washer	1			
23	40-4812161897	Paver Grease / 1 cartridge	1			

Auger support 40-4812016497 Auger support



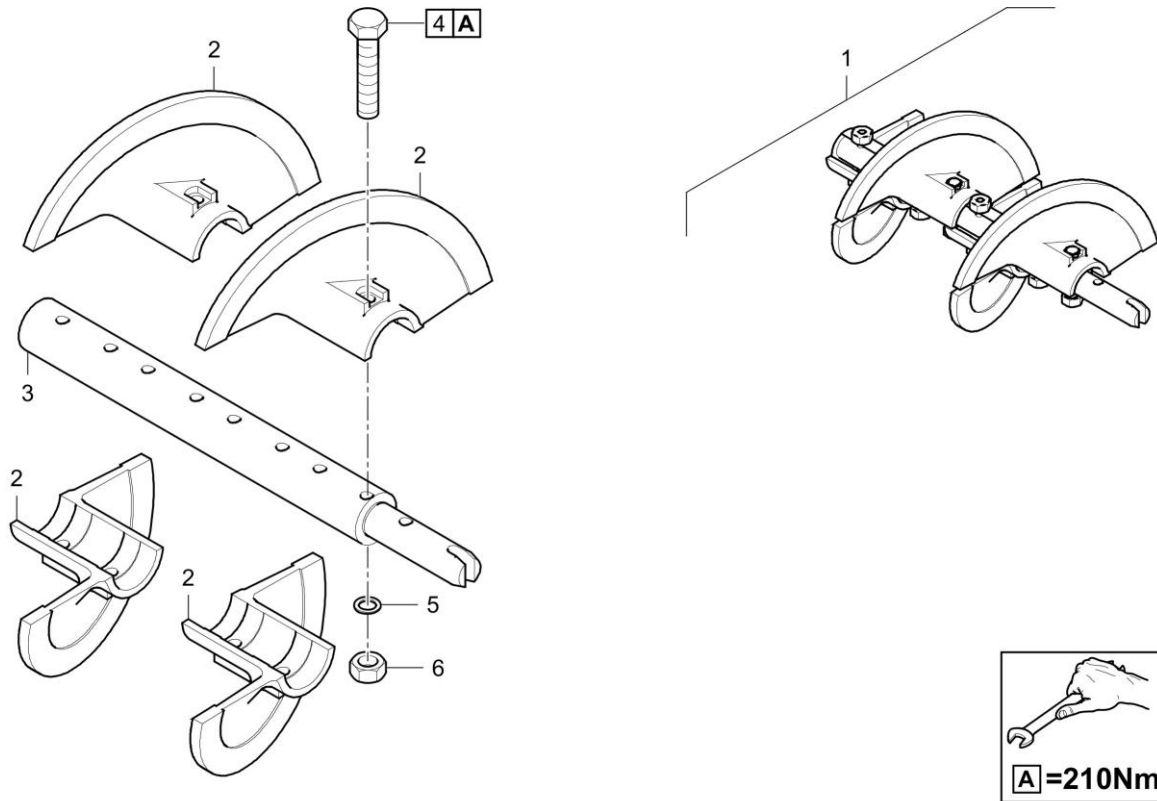
Refer to Parts Online for the most up to date information. The printed information might be outdated.

Fri May 07 07:35:44 UTC 2021

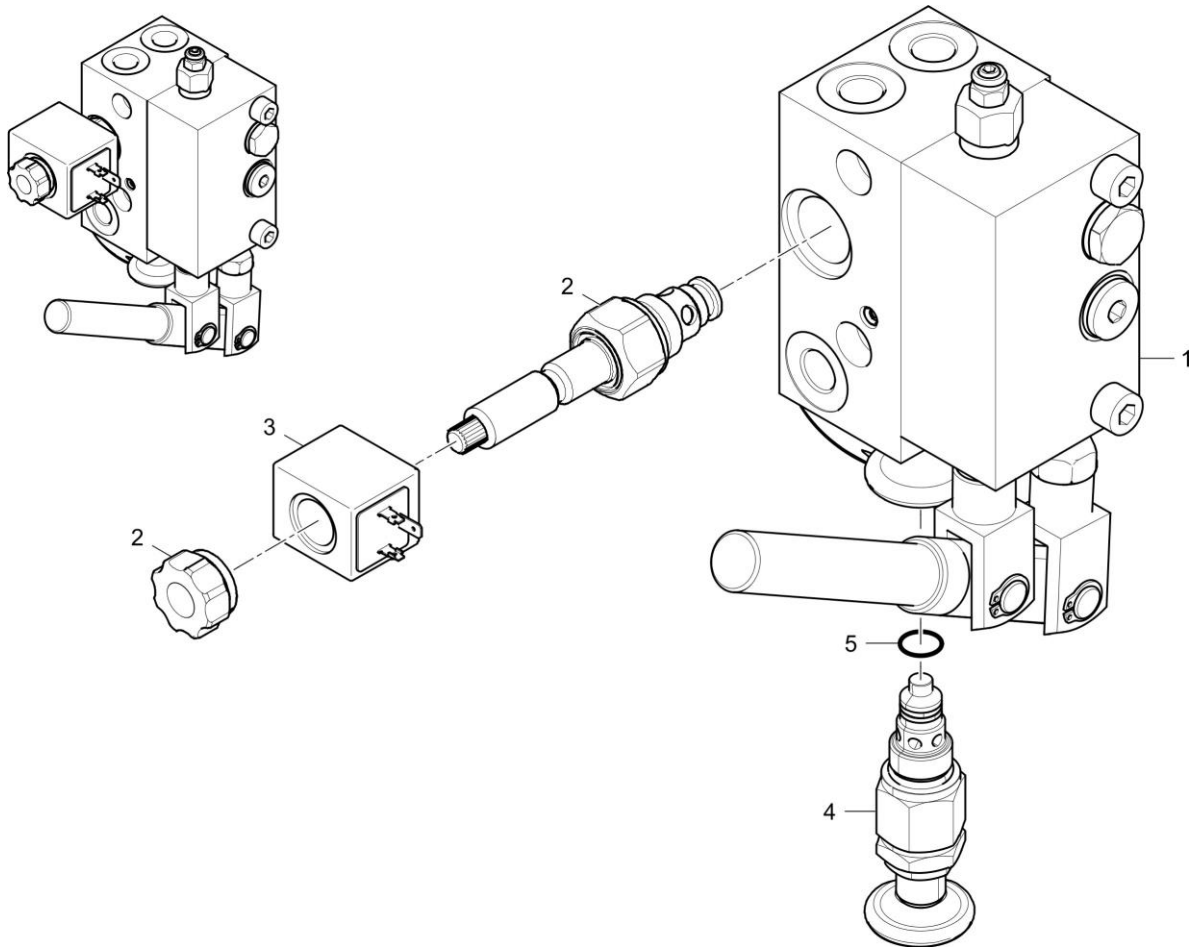
Referenced Pages

40-4812026736 Outer support212

Auger shaft extension assy 640 mm r.h. 40-4720000137 Auger extension, r.h. L:640mm



Item	Part No.	Name	Qty	L	C	SN INFO
1	40-4720000137	Auger shaft extension assy. 640 mm r.h./rts.	1			
2	40-4738000979	Auger wing, r.h.	4			
3	40-4730000803	Auger extension 640 mm	1			
4	40-0147110915	Hexagon head screw	8			
5	40-0333310042	Schnorr-lock washer	8			
6	40-4749901556	Nut	8			

Brakeventil 40-4812024410 Brakevalve

Item	Part No.	Name	Qty	L	C	SN INFO
1	40-4812018918	Manual pump	1			
2	40-4812018917	Valve	1			
3	40-4812016138	Field coil	1			
3	40-4812215496	Field coil	1			Valid for round design
4	40-4812201144	Valve	1			
5	40-4812201142	O-Ring	1			

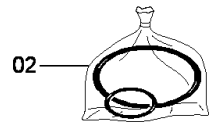
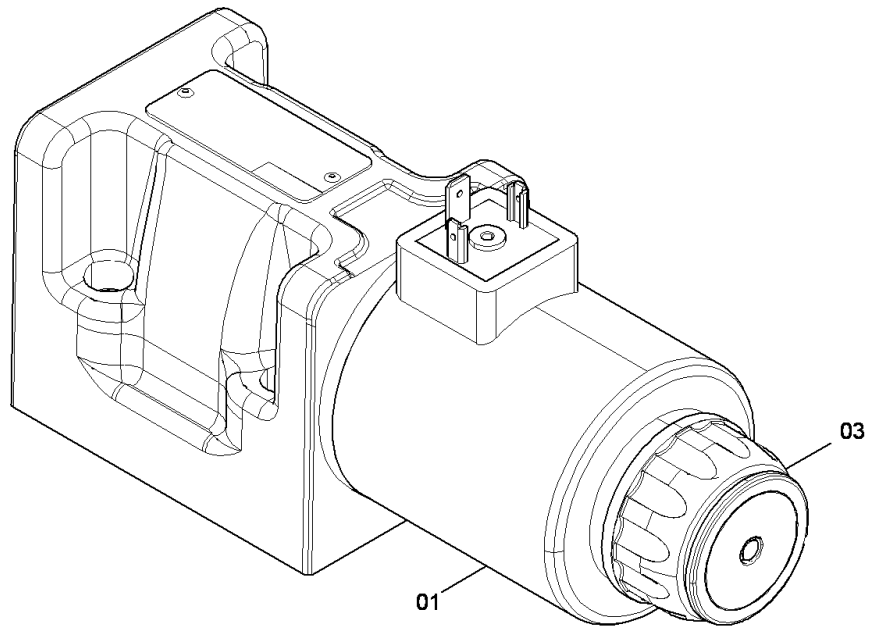
CLICK HERE TO **DOWNLOAD** THE COMPLETE MANUAL

- Thank you very much for reading the preview of the manual.
- You can download the complete manual from: www.heydownloads.com by clicking the link below



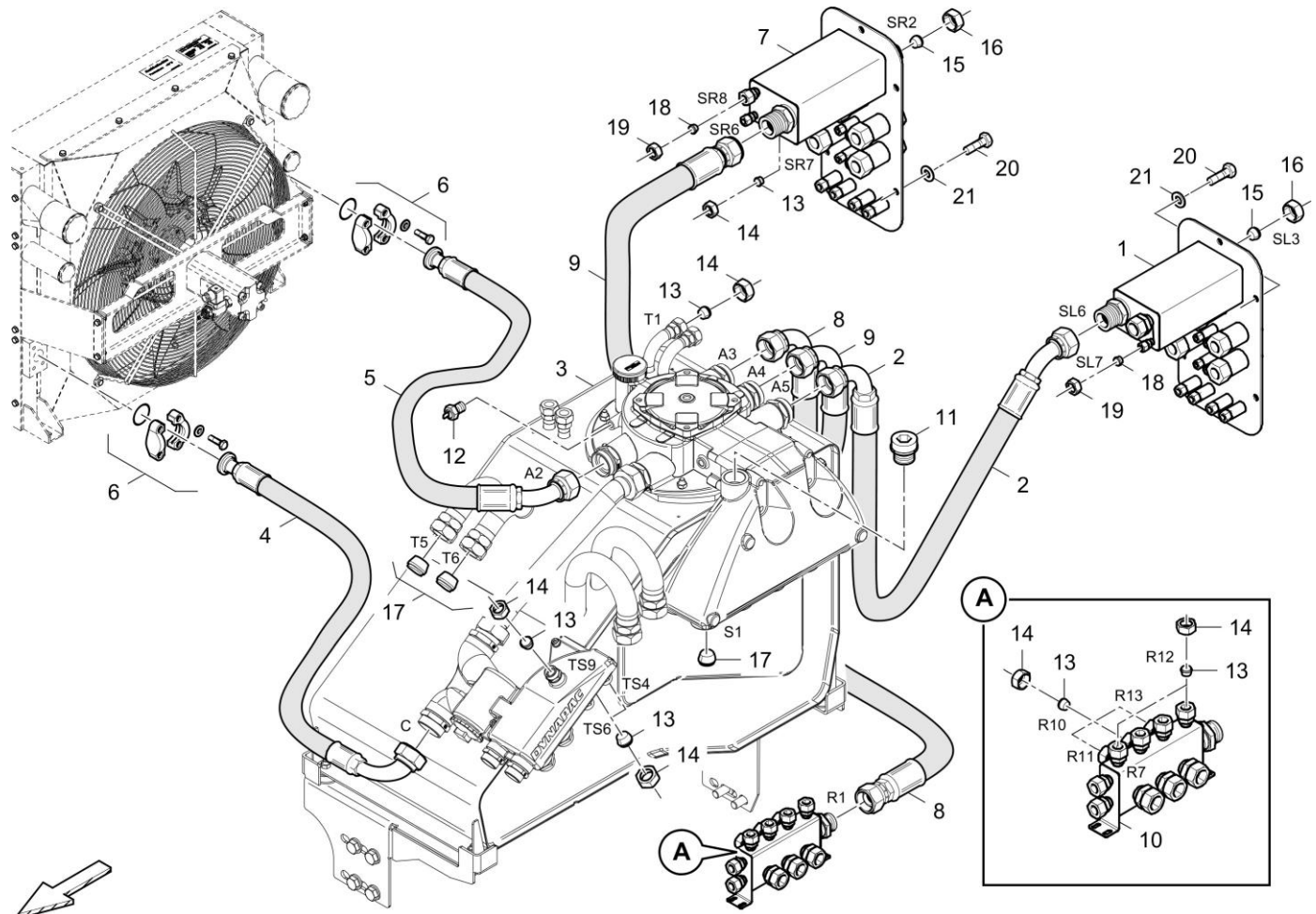
- Please note: If there is no response to CLICKING the link, please download this PDF first and then click on it.

CLICK HERE TO **DOWNLOAD** THE COMPLETE MANUAL

Directional spool valve 40-4812008584 Directional spool valve

Item	Part No.	Name	Qty	L	C	SN INFO
1	40-4812008915	Coil	1			
2	40-4812008916	Sealing kit	1			
3	40-4812008988	Nut	1			

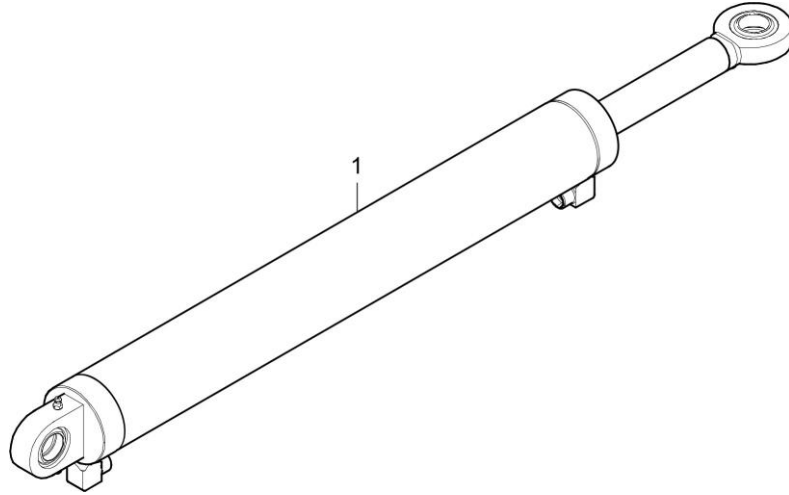
Item	Part No.	Name	Qty	L	C	SN INFO
29	40-4812039588	Elbow union	2			
30	40-4812032491	Hose	1			
31	40-4812014418	Hose	2			
32	40-4812014419	Hose	2			
33	40-4812041689	Hose	1			
34	40-D961375835	Union	1			
35	40-4812024352	Angle flange	1			
36	40-4812201451	Hose	1			
37	40-4812029382	Male connector	1			
38	40-D961175210	Plug screw	1			
39	40-D961175206	Plug screw	1			
40	40-D961935232	Male connector	1			
41	40-D961175211	Plug screw	1			
42	40-4812201809	Montage kit	2			
43	40-D961772668	Test point	1			
44	40-D961175207	Plug screw	1			
45	40-D961919008	Swivel nut branch tee	2			
46	40-4812202430	Hose	2			
47	40-4812202438	Hose	1			
48	40-4812015643	Hose	1			
49	40-D961355034	Elbow union	1			
50	40-4812202449	Hose	1			
51	40-4812202439	Hose	1			
52	40-D961917006	Elbow socket	1			
53	40-0301232100	Plain washer	6			
54	40-0147124903	Hex. head screw M6 x 25	6			
55	40-0147136303	Screw	2			
56	40-0333310051	Lock washer	2			
57	40-D961352949	Adapter	2			

Hydraulic tank, collector 40-4812019652 Hydraulic tank, collector

Item	Part No.	Name	Qty	L	C	SN INFO
1	40-4812029245	Plate, l.h.	1			
2	40-4812032608	Hose	1			
3	40-4812225757	Hydraulic tank, cpl.	1			from 0G000942, 0G001278, 1279, 1282, 1284, 1285 ff.
4	40-4812034272	Hose	1			
5	40-4812032595	Hose	1			
6	40-D503070227	Flange	2			
6.1	40-D930211345	Flange half	2			
6.2	40-D932323744	O-ring	1			
6.3	40-4700508053	Hexagon socket head cap screw M	4			
7	40-4812011367	Plate, r.h.	1			
8	40-4812032594	Hose	1			
9	40-4812032575	Hose	1			
10	40-4812029657	Collector	1			
11	40-4812040195	Plug screw	1			
12	40-4812032169	Pressure switch	1			

Refer to Parts Online for the most up to date information. The printed information might be outdated.

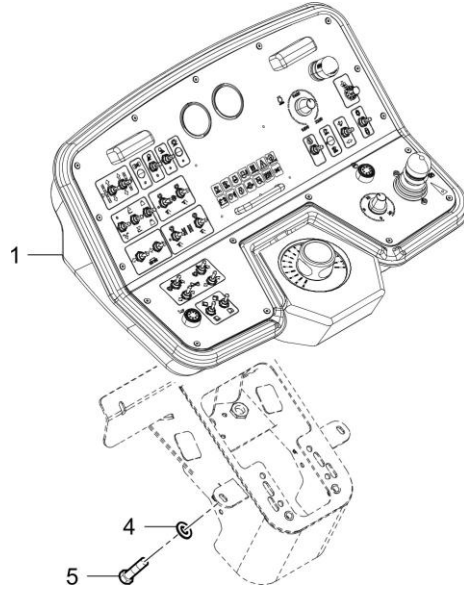
Fri May 07 07:36:15 UTC 2021

Leveling cylinder Leveling cylinder standard

Item	Part No.	Name	Qty	L	C	SN INFO
1		Hydraulic cylinder	1			
1.1	40-4812045267	Hydraulic cylinder	2		Not Valid	
1.1.1	40-4812216206	Seal kit	1			
1.2	40-4812045942	Leveling cylinder	2			Valid from sn G000981, ff
1.2.1	40-4812036886	Seal kit	1			

Refer to Parts Online for the most up to date information. The printed information might be outdated.

Fri May 07 07:36:18 UTC 2021

Control unit 40-4812016643A Operator desk

Item	Part No.	Name	Qty	L	C	SN INFO
1	40-4812016642	Control unit	1			
4	40-D939505023	Washer	4			
5	40-0147132503	Hex. Head screw M8 x 25	4			

Item	Part No.	Name	Qty	L	C	SN INFO
16	40-D977532030	Toggle switch	1			
18	40-D977532022	Toggle switch	1			
19	40-4812029480	Indicator lamp module	1			
24	40-4812035504	Power-timer housing	1			
25	40-4812034790	Power-timer housing	1			
29	40-D977010512	Hour meter	1			
31	40-4812028134	Central electric. distribution unit	1			
35	40-D978013748	Diode	1			
40	40-D977599035	Potentiometer drive	1			
42	40-D977335602	Tabular lamp	1			
44	40-D977599010	Setting button	1			
45	40-D977335672	Bulb	1			
46	40-D977730412	Micro relay	1			
47	40-4812016649	Control unit	1			
57	40-D977729013	Relay socket	1			
70	40-4812005864	Cable harness W11	1			
72	40-4812040943	Cable W40	1			
73	40-4812016676	Cable W73	1			
74	40-4812040945	Cable W42	1			
75	40-4812016440	Cable W63	1			
76	40-4812073301	Handle	1			

Comments for Page: 40-4812016642 Operator desk

(L)OCAL REMARKS

W11 | en_US | Operator desk

W11 | de_DE | Bedienstand

W40 | en_US | Joystick - board

W40 | de_DE | Joystick - Platine

W73 | en_US | Steerin sensor - board

W73 | de_DE | Lenksensor - Platine

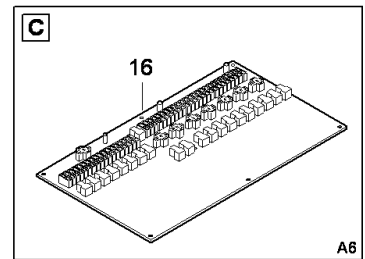
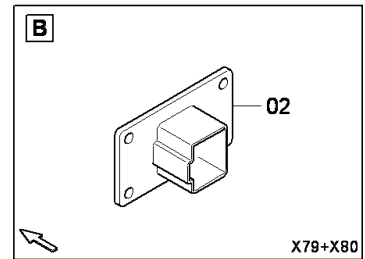
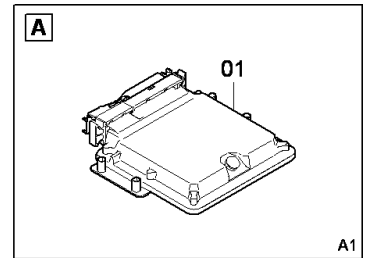
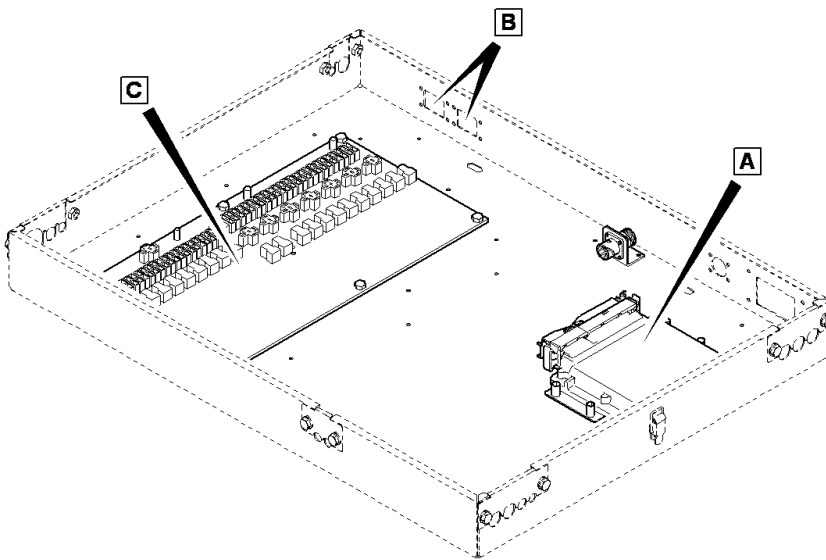
W42 | en_US | Potentiometer - board

W42 | de_DE | Potis - Platine

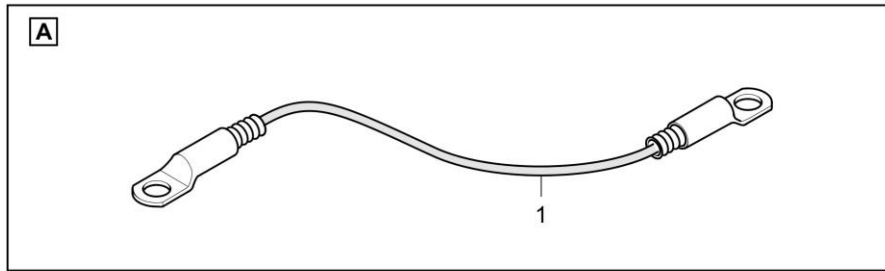
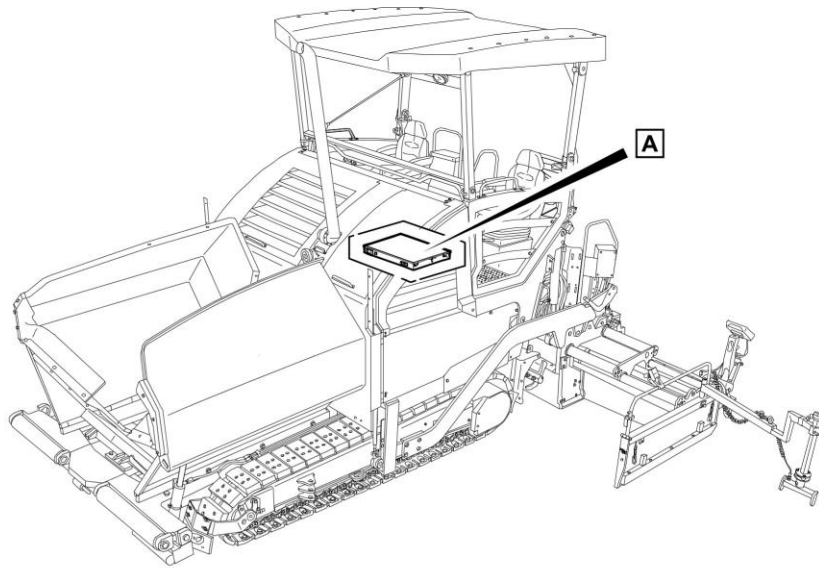
W63 | de_US | Hardlock

W63 | de_DE | Dongle

Junction box 40-4812009096 Junction box

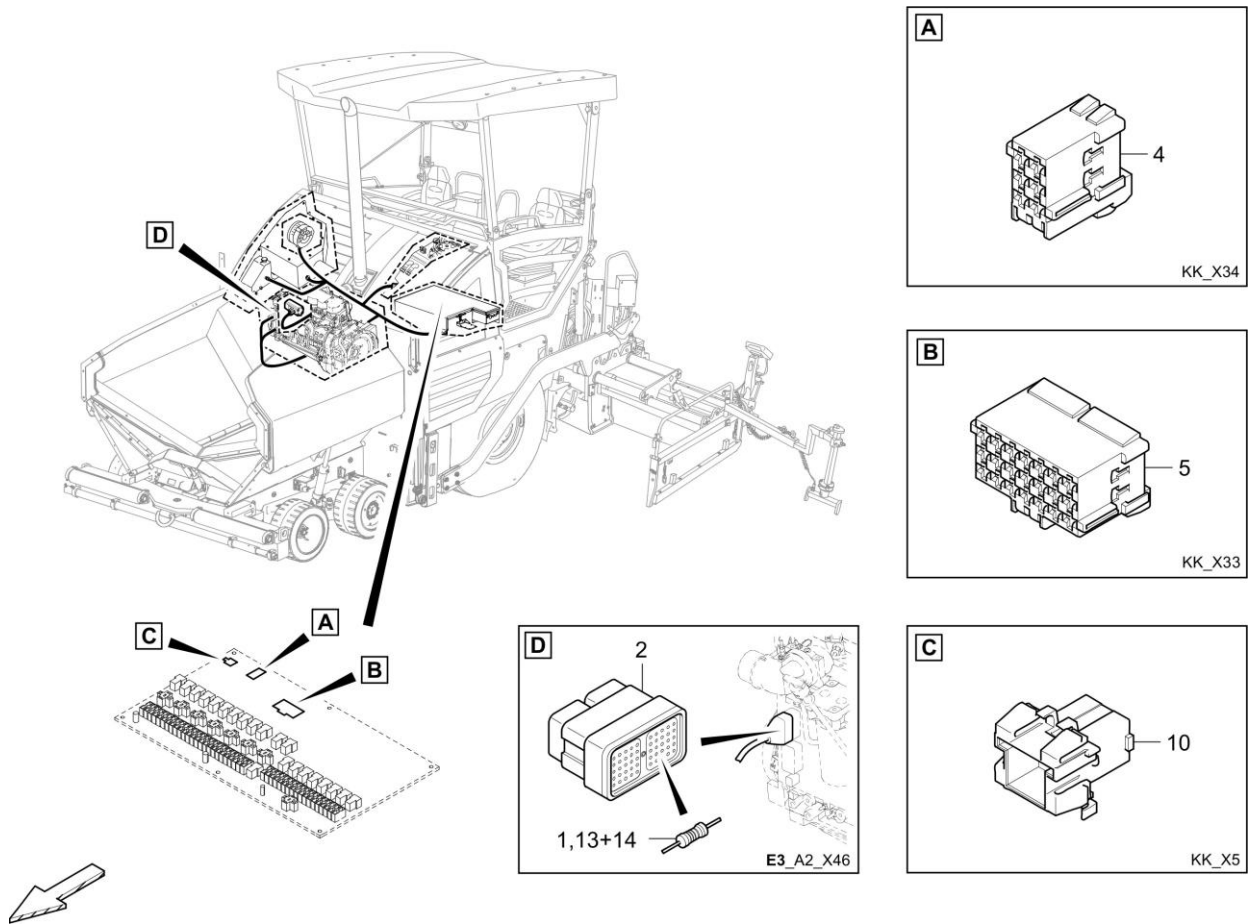


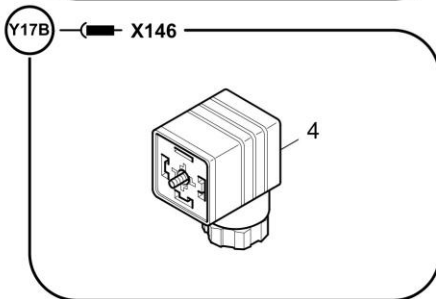
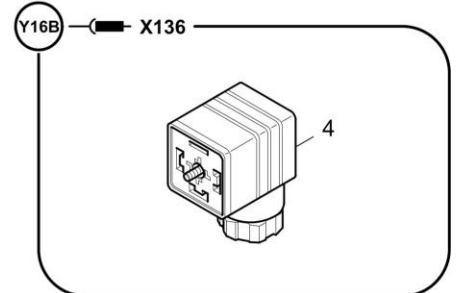
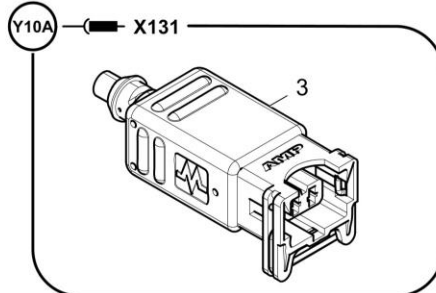
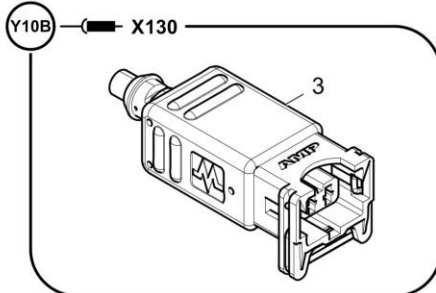
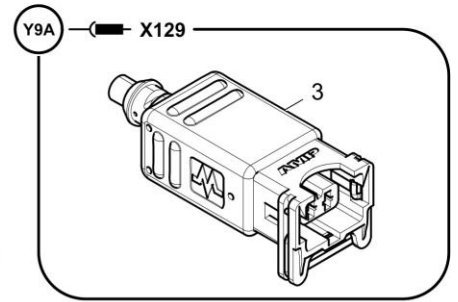
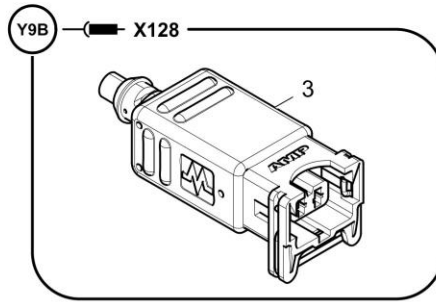
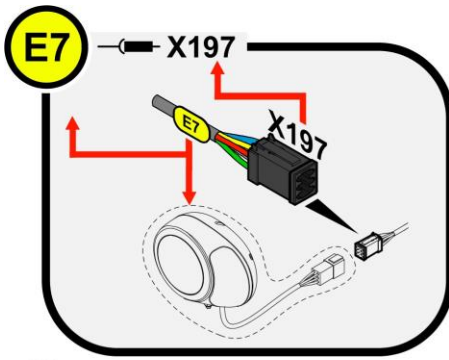
Harness 40-4812201355 Cable W1.1



Item	Part No.	Name	Qty	L	C	SN INFO
1	40-4812201355	Cable W1.1	1			

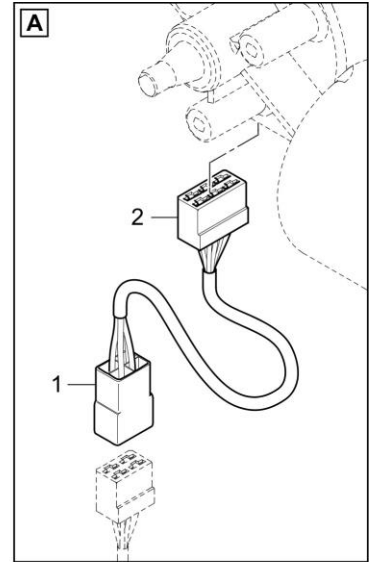
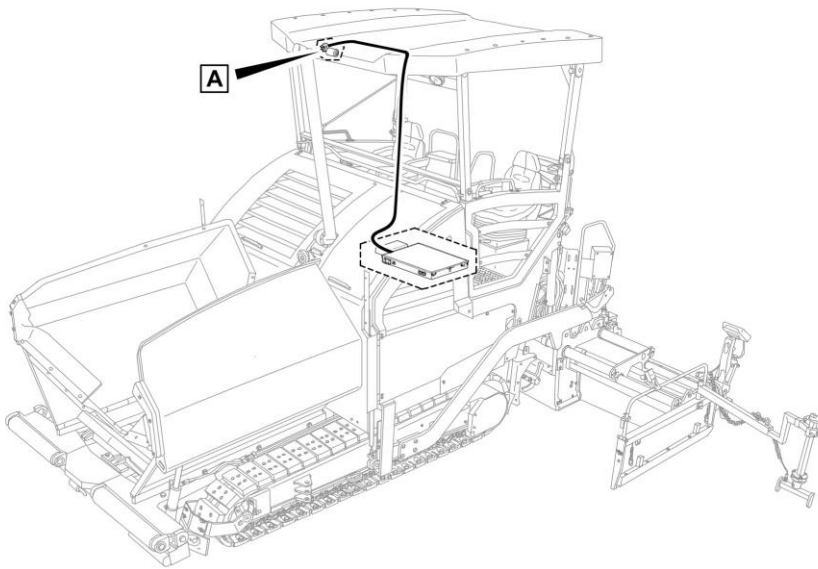
Harness 40-4812005952 Cable W12





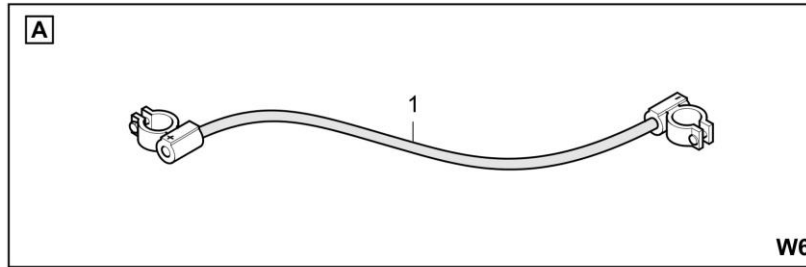
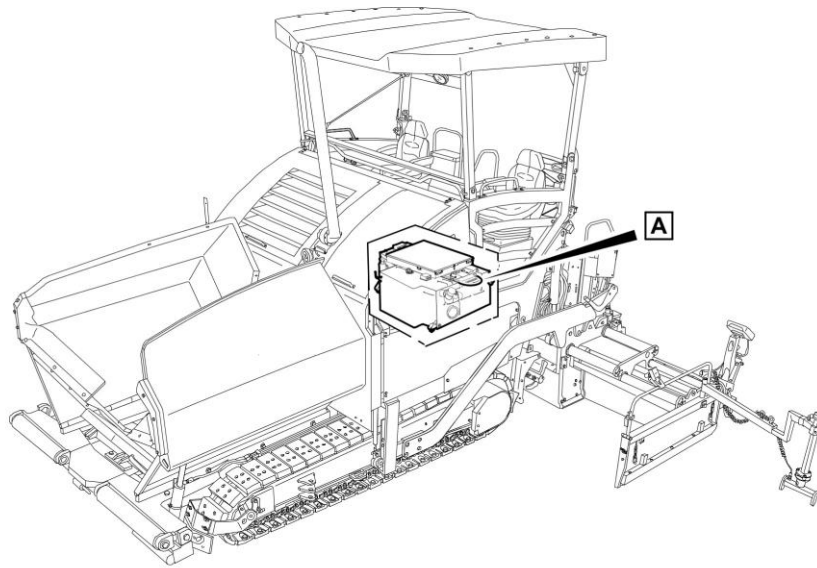
Item	Part No.	Name	Qty	L	C	SN INFO
1	40-4812035503	Power-timer housing	1			
1.1	40-4812029619	Power-timer housing	1			
1.2	40-4812030987	Female contact	21			
2	40-4812035504	Power-timer housing	1			
2.1	40-4812029219	Power-timer housing	1			
2.2	40-4812030987	Female contact	9			
3	40-4812029030	Valve plug	1			
4	40-D977476443	Valve plug	1			

Harness 40-4812005974 Cable W26

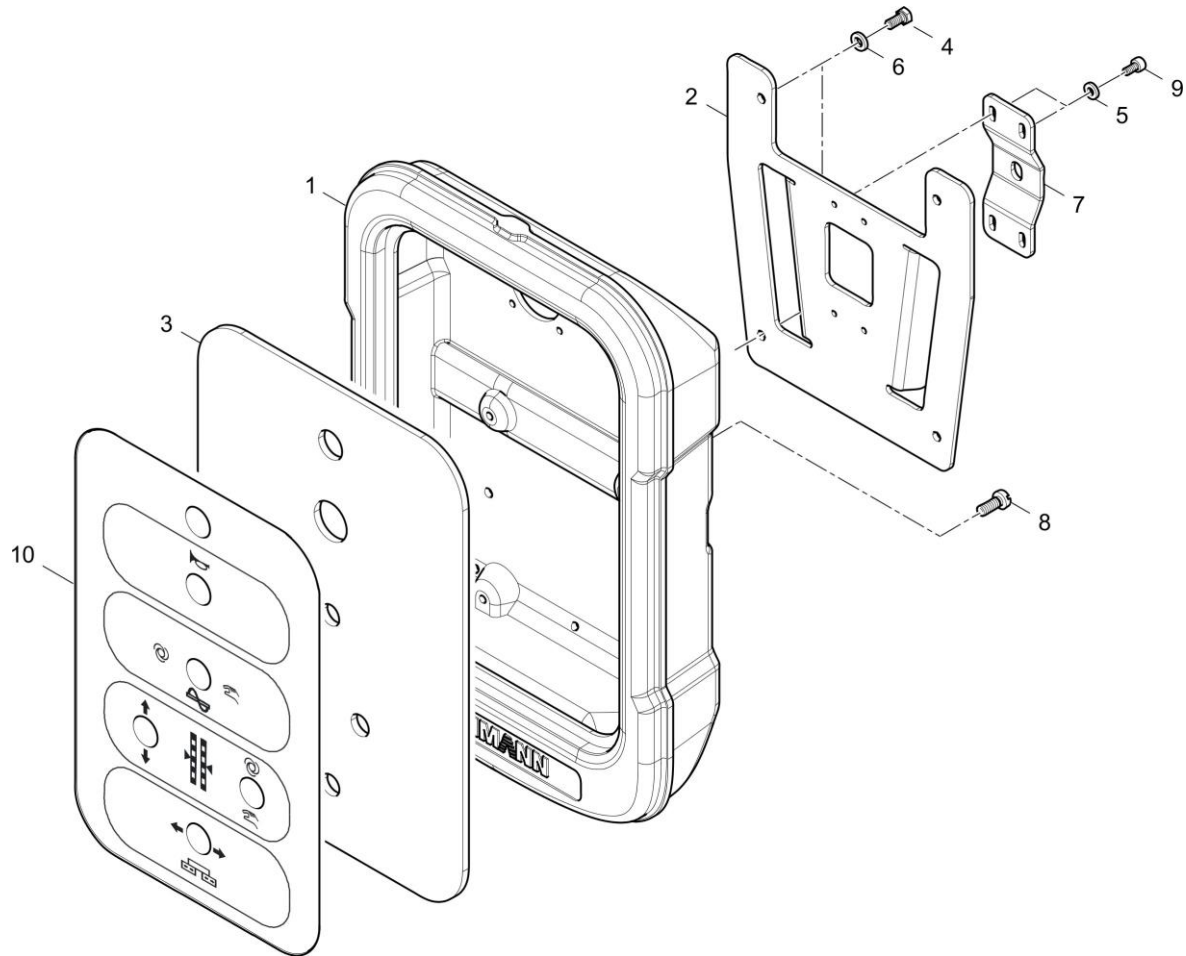


Item	Part No.	Name	Qty	L	C	SN INFO
1	40-4812035574	Socket	1			
2	40-4812034924	Plug	1			

Harness 40-4812011128 Cable W6



Item	Part No.	Name	Qty	L	C	SN INFO
1	40-4812011128	Cable W6	1			

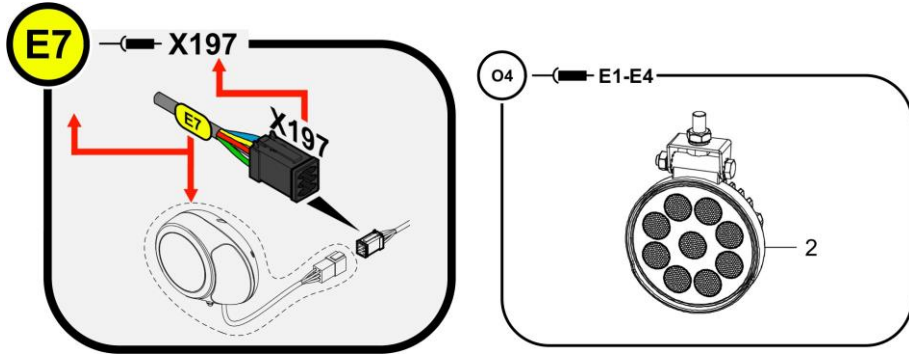
Housing 40-4812072671 Housing

Item	Part No.	Name	Qty	L	C	SN INFO
1	40-4812072672	Housing	1			
2	40-4812217372	Retainer plate	1			
3	40-4812072623	Panel	1			
4	40-D938182486	Hexagon screw	4			
5	40-4812216534	Lock washer	4			
6	40-4812216536	Lock washer	4			
7	40-4812215995	Clamping plate	1			
8	40-D936730798	Screw	6			
9	40-4812216533	Hexagon socket head cap screw	4			
10	40-4812016233	Foil stickers	1			

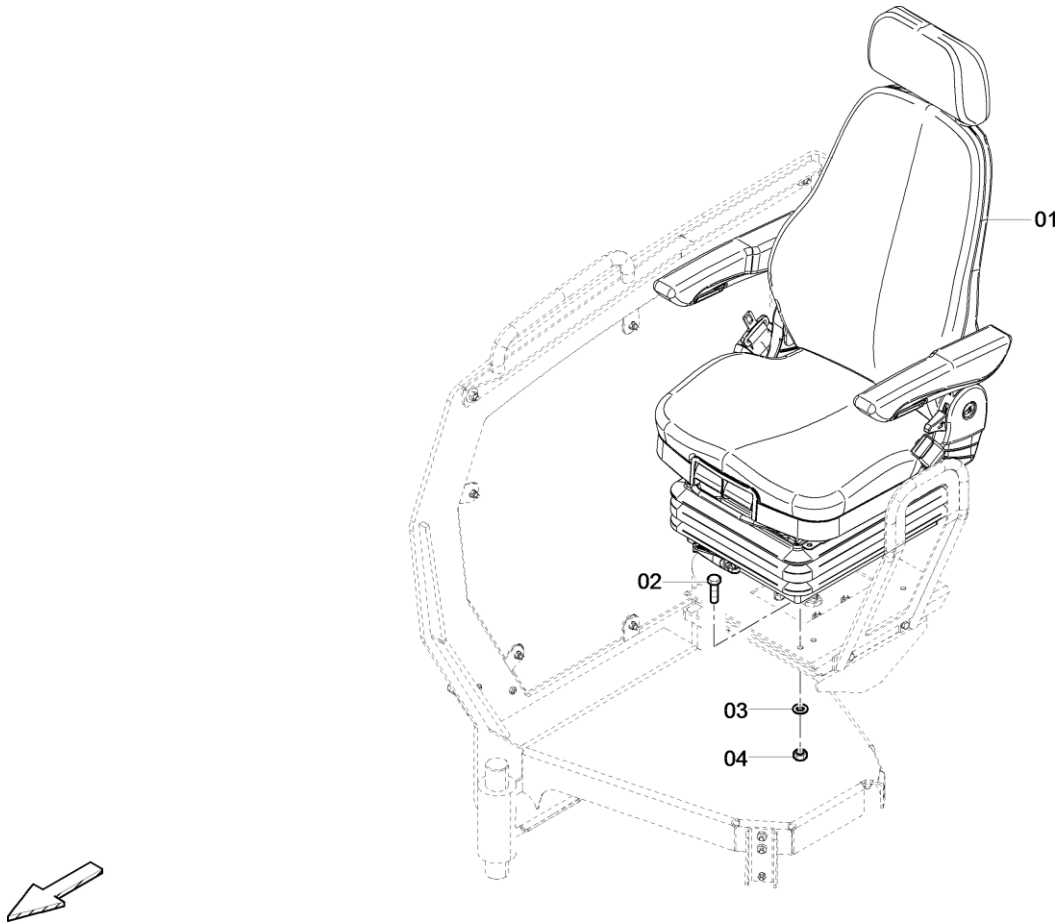
Refer to Parts Online for the most up to date information. The printed information might be outdated.

Fri May 07 07:37:14 UTC 2021

40-4812016484 Spot light 40-4812016484 Spot light

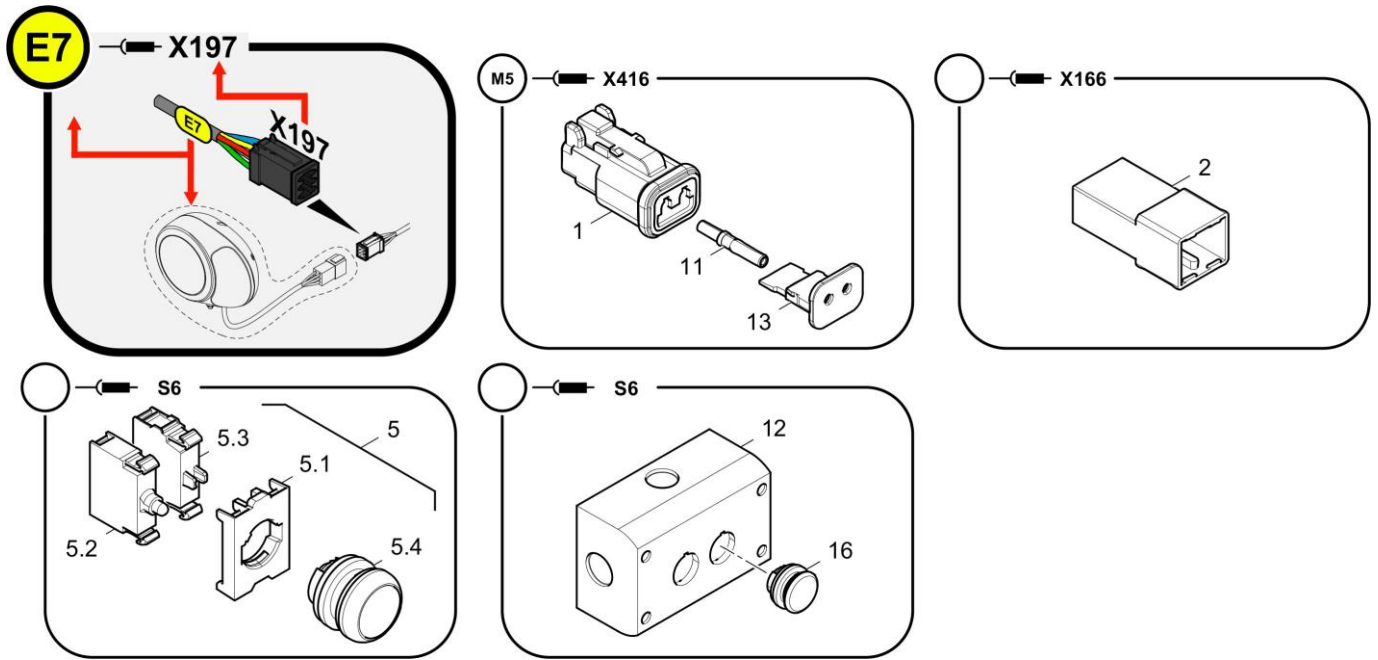


Item	Part No.	Name	Qty	L	C	SN INFO
2	40-4812023383	Spot light	4			

40-4812074550 Drivers seat Standard 40-4812009465 Drivers seat Standard

Item	Part No.	Name	Qty	L	C	SN INFO
1	40-4812009466	Drivers seat, cpl.	1			
2	40-0147132303	Hexagon bolt	4			
3	40-D939505023	Washer	4			
4	40-0291118802	Hexagon nut	4			

Cable 40-4812076616 Cable W36

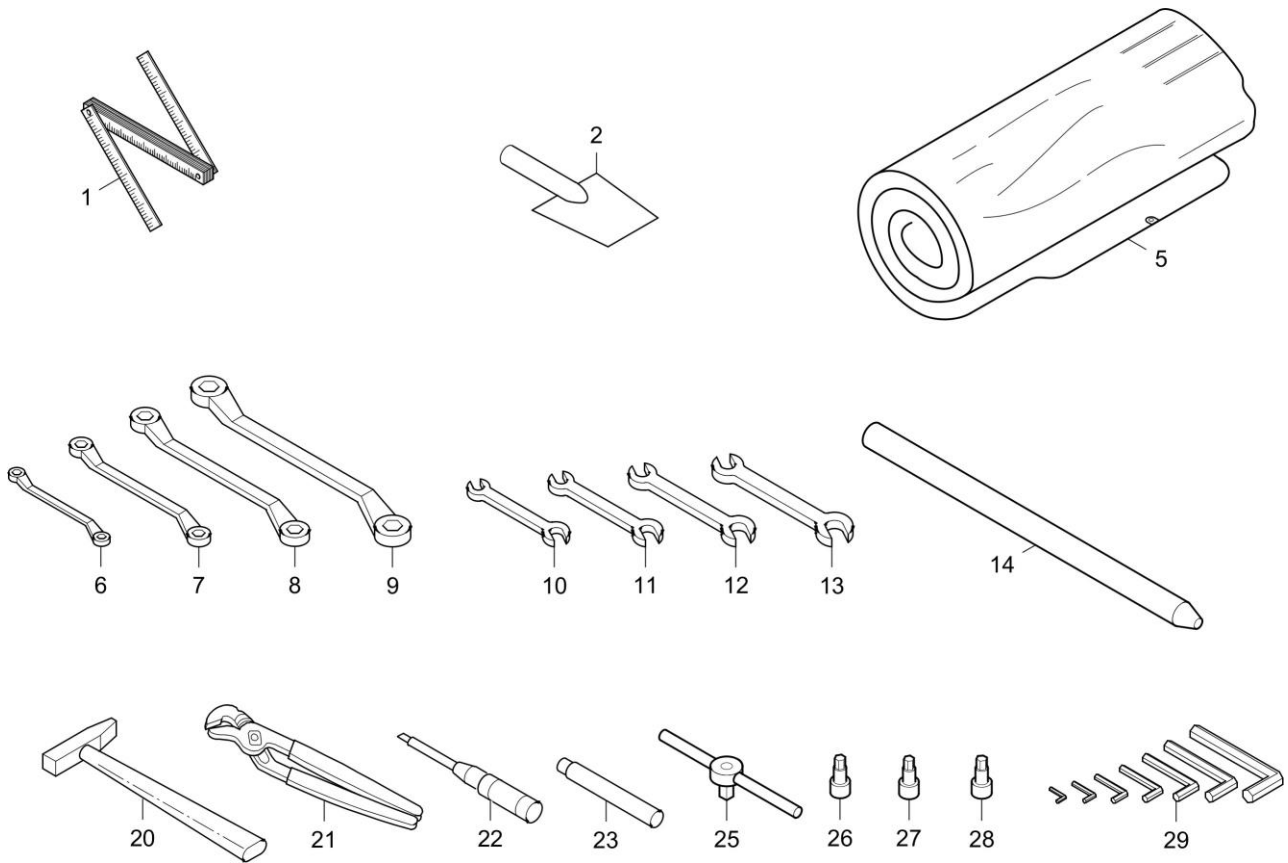


Item	Part No.	Name	Qty	L	C	SN INFO
1	40-D977466134	Socket shell	1			
2	40-D977330124	Socket	1			
5	40-D977580301	Push button	1			
5.1	40-D977580262	Adapter	1			
5.2	40-D977580279	Lamp element	1			
5.3	40-D977580261	Contact element	1			
5.4	40-D977580266	Luminous touch contact	1			
11	40-D977466144	Socket contact	2			
12	40-D977580299	Housing	1			
13	40-D977466137	Key	1			
16	40-D977580300	Lock	1			

Refer to Parts Online for the most up to date information. The printed information might be outdated.

Fri May 07 07:37:33 UTC 2021

40-4812009244 Tools and accessories 40-4812009244 Tools and accessories

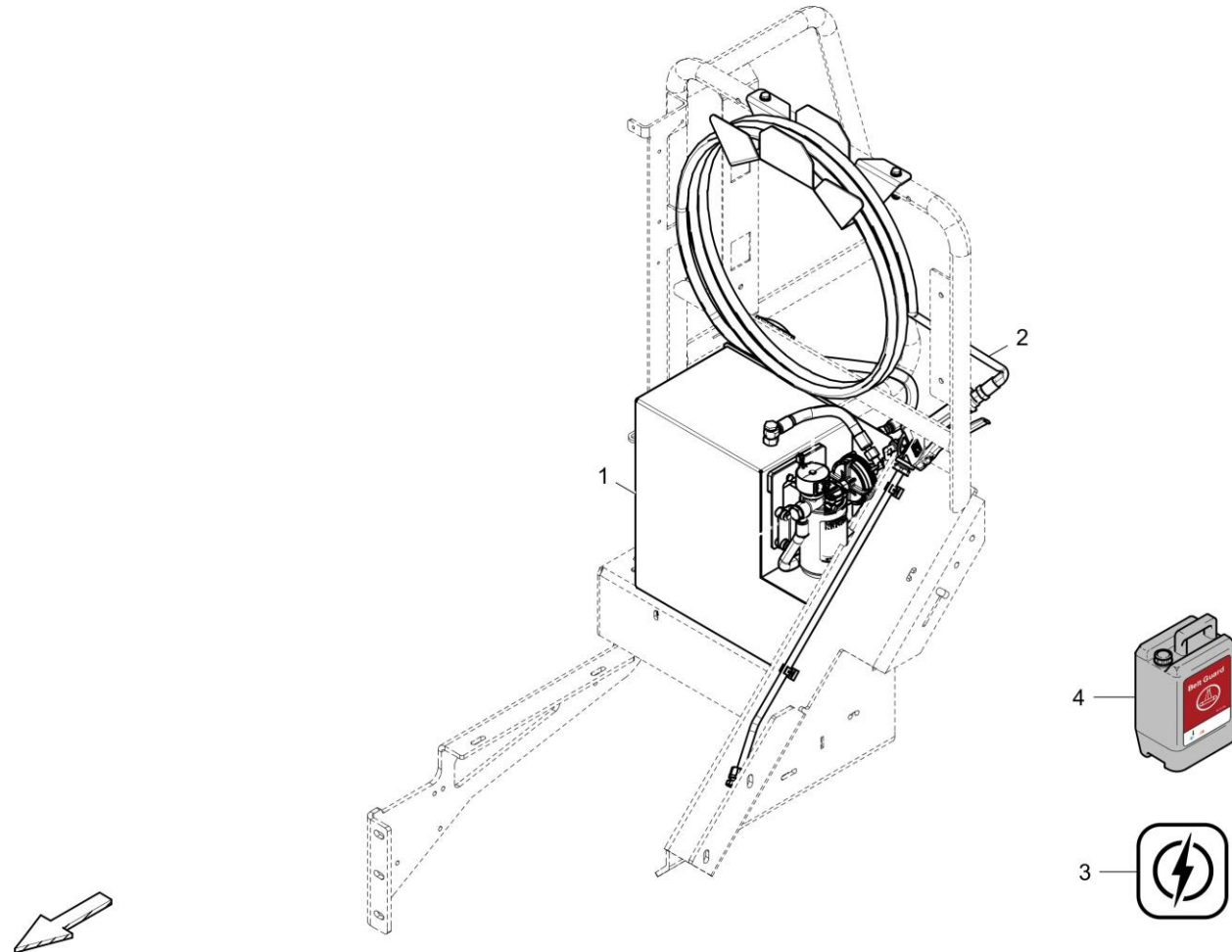


Item	Part No.	Name	Qty	L	C	SN INFO
1	40-D956400005	Folding rule	1			
2	40-4812074543	Spatula	1			
5	40-4812036162	Tool bag	1			
6	40-D956160640	Ring key	1			
7	40-4753410029	Ring wrench	1			
8	40-4753410010	Ring wrench	1			
9	40-4753410021	Ring wrench	1			
10	40-4753420007	Fork wrench	1			
11	40-4753420009	Fork wrench	1			
12	40-4753420002	Fork wrench	1			
13	40-4753420012	Fork wrench	1			
14	40-D956145983	Mounting lever	1			
20	40-4753300009	Metalwork hammer	1			
21	40-4753100012	Water pump pliers	1			
22	40-4753200013	Screwdriver	1			
23	40-4753000046	Drift pin	1			

Refer to Parts Online for the most up to date information. The printed information might be outdated.

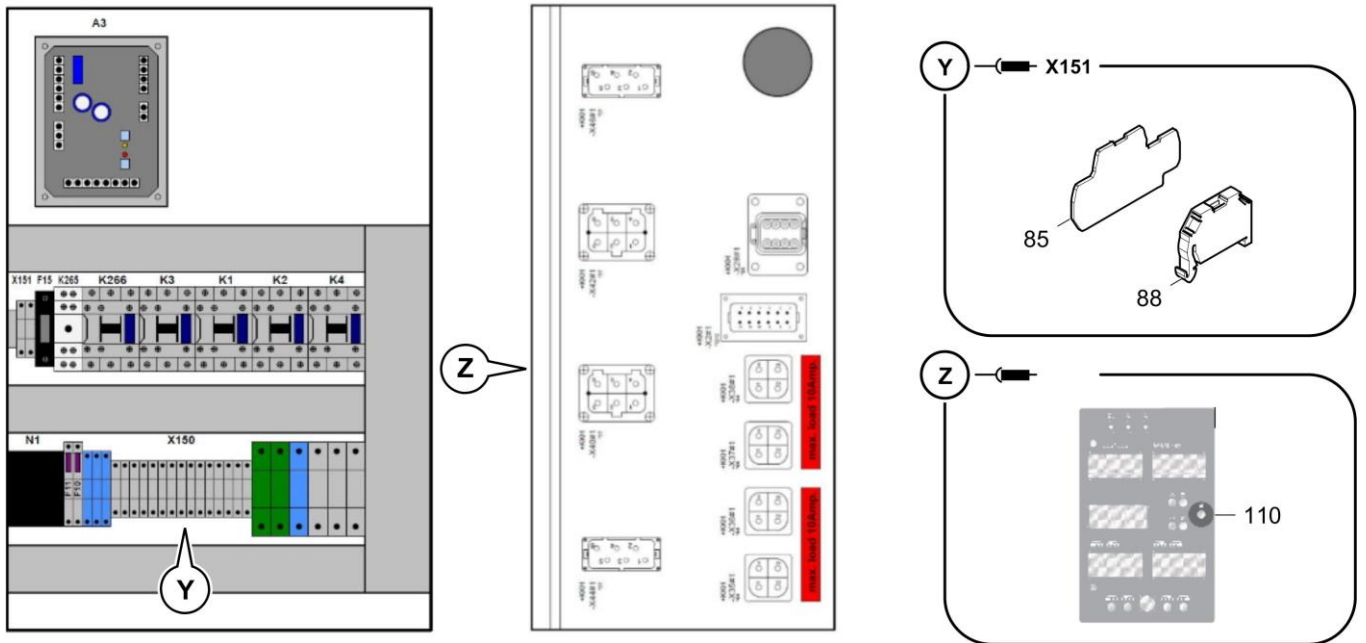
Fri May 07 07:37:36 UTC 2021

40-4812076692 Sprayer 25L, hose package 40-4812076692 Sprayer 25L, hose package



Item	Part No.	Name	Qty	L	C	SN INFO
1	40-4812076114	Tank	1			
2	40-4812227350	Hose package	1			
3	40-4812076614	Electric, emulsion spray	1			
4	40-4812215842	BeltGuard, 20 ltr.	1			
4	40-4812215846	BeltGuard, 208 ltr.	1			
4	40-4812216094	BeltGuard, 1000 ltr.	1			

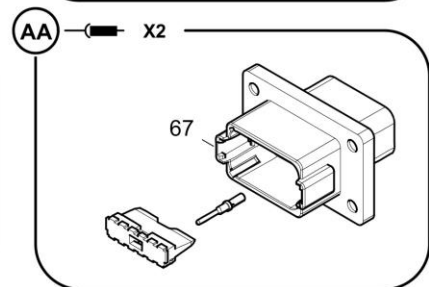
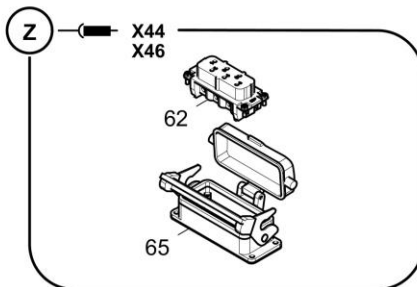
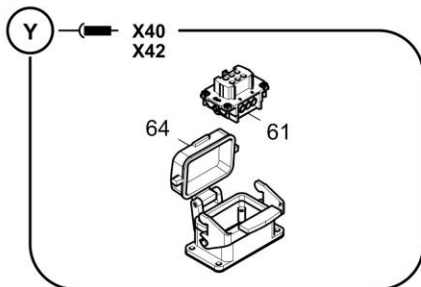
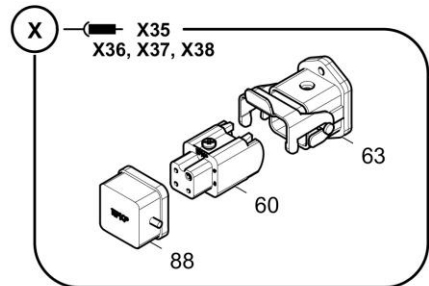
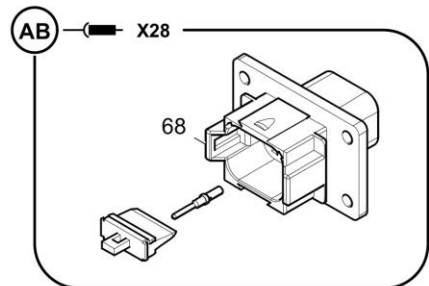
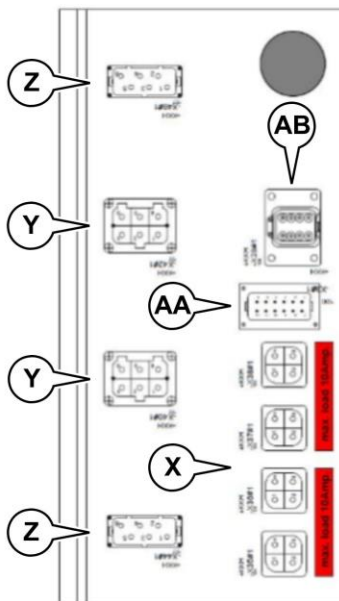
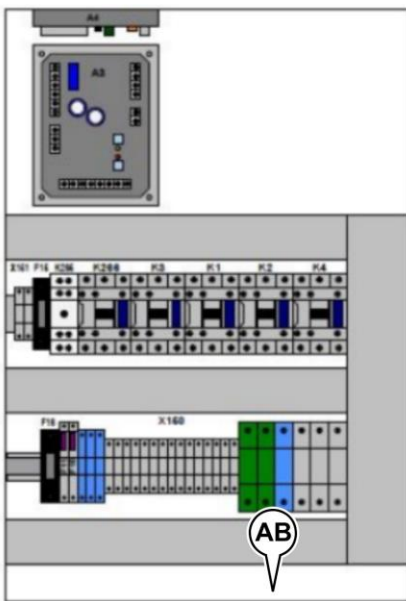
Item	Part No.	Name	Qty	L	C	SN INFO
10	40-4812015882	Universal joint protection	1			
11	40-4812045475	Ring	2			
12	40-4812216885	Stud	12			
13	40-4812009565	Insulating material	1			
14	40-4812010759	Space washer	1			
15	40-4749900980	Cylinder screw	1			
16	40-4812202397	Electric, heating	1			
17	40-4747400034	Thread locking, 250ml	1			
18	40-4747400056	Thread locking, 50ml	0,01			



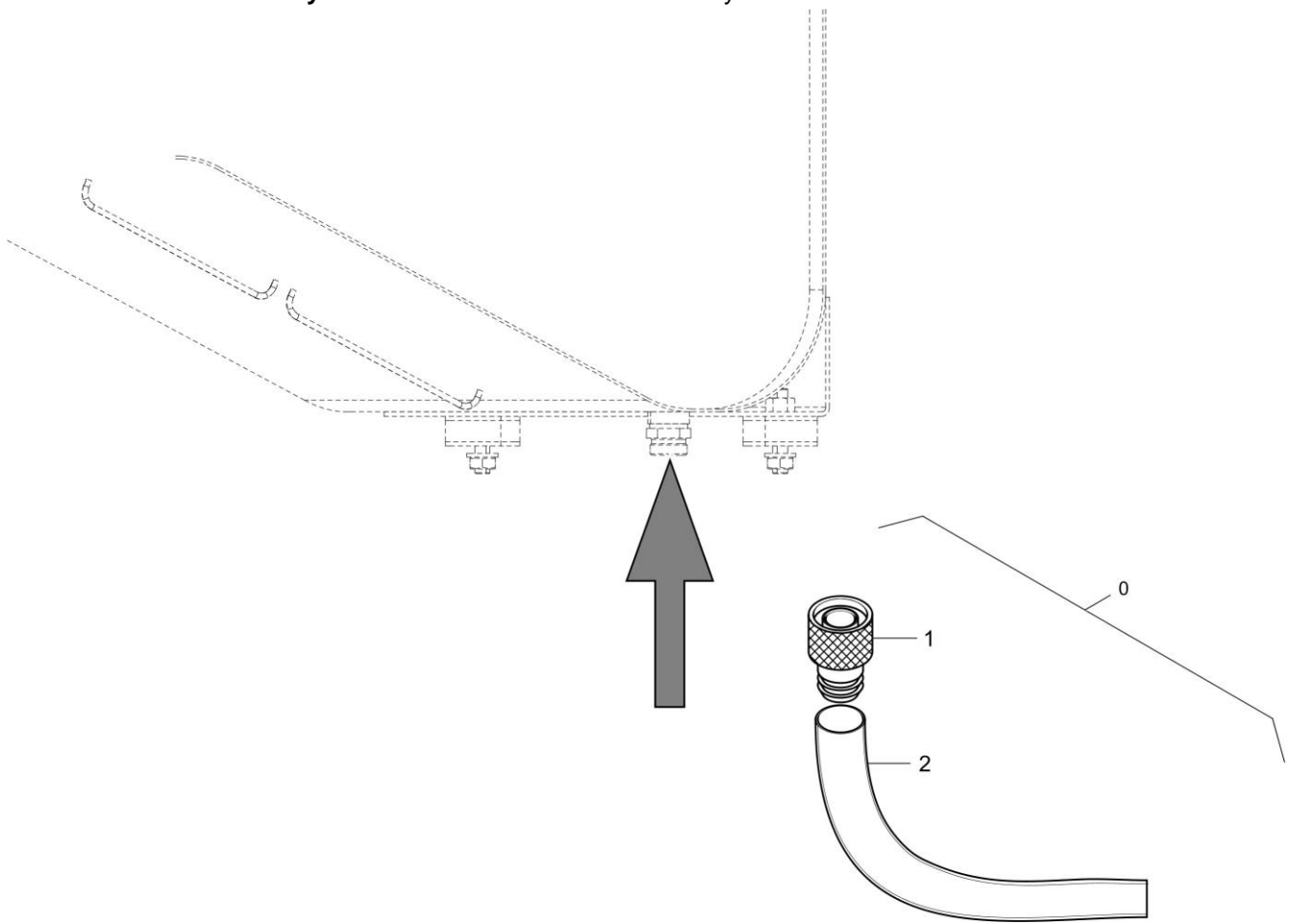
Item	Part No.	Name	Qty	L	C	SN INFO
1	40-4812227760	Control box	1			
1.1	40-4812227761	Switch cabinet	1			
1.5	40-4812227510	Lock, cpl.	1			
1.7	40-4812024627	Key	1			
4	40-D977451039	Window	4			
20	40-4812032799	Overload release, 4-pole	1			
21	40-4812033308	Overload release	2			
22	40-4812033229	Overload release, 1-pole	3			
23	40-4812033230	Overload release	2			
24	40-4812033228	Overload release	1			
26	40-D977455780	Overload release	1			
27	40-4812032801	Overload circuit breaker	1			
28	40-D977454250	Fuse	1			
29	40-D977454248	Fuse	1			
30	40-4812202011	Fuse	1			
35	40-D977580291	Contact	1			
36	40-D977580292	Contact	1			

Refer to Parts Online for the most up to date information. The printed information might be outdated.

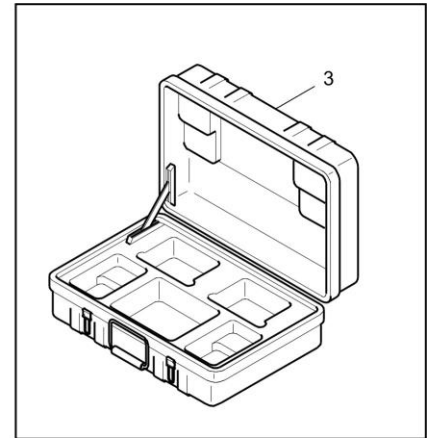
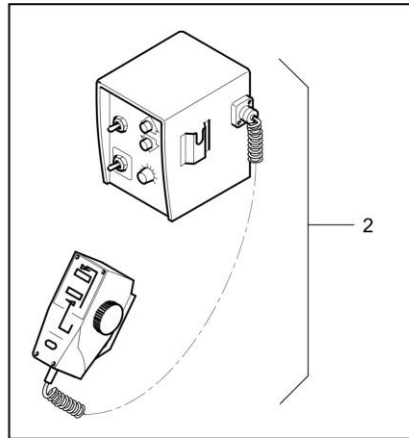
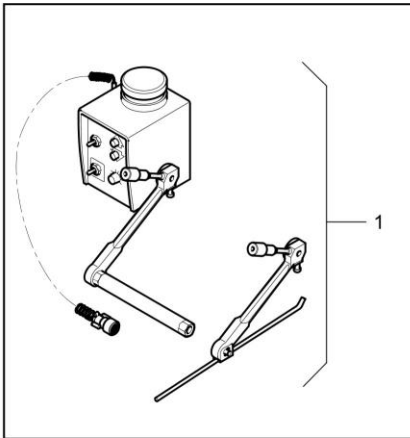
Fri May 07 07:37:53 UTC 2021



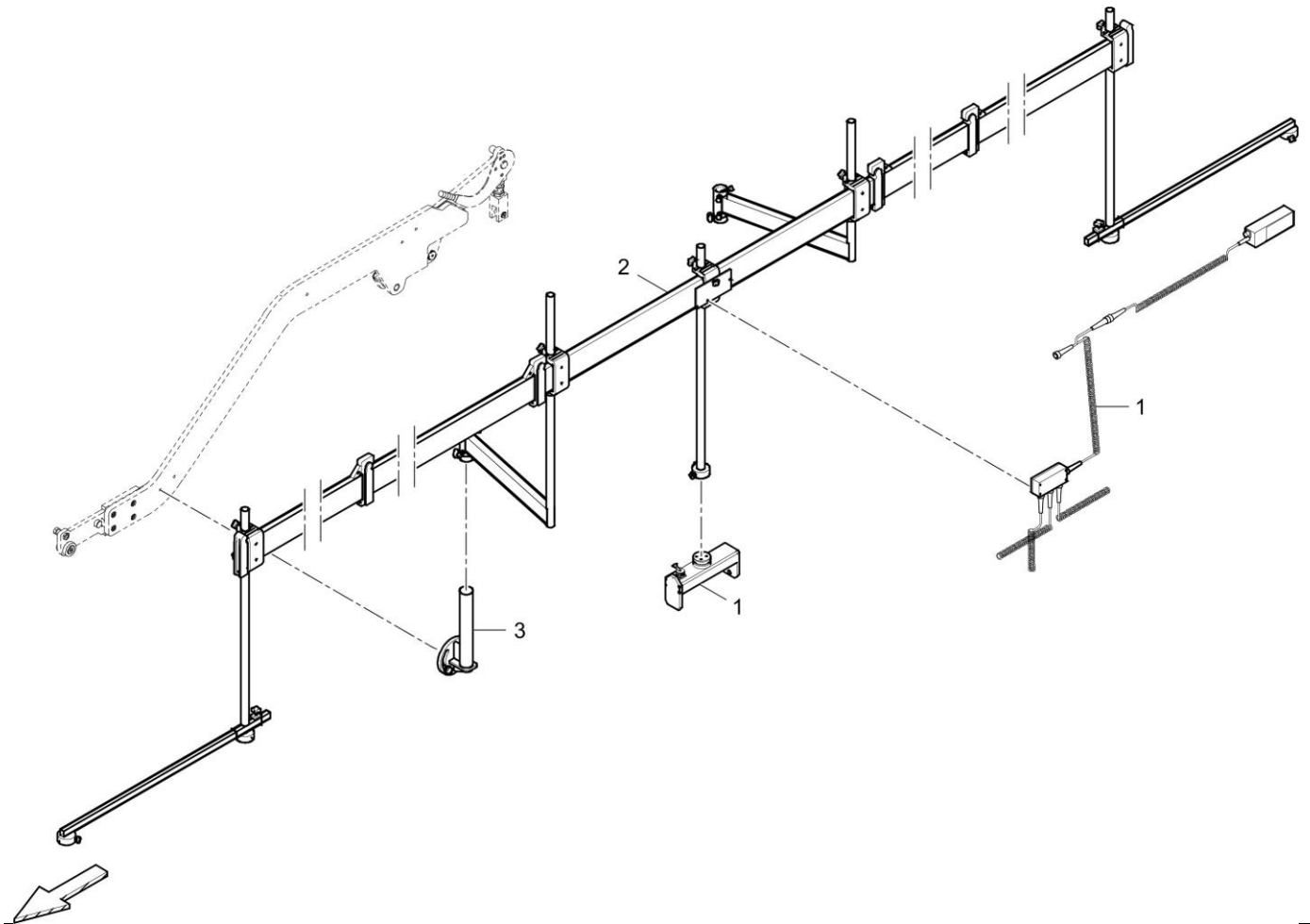
40-4812007491 Oil drain hydr tank 40-4812007491 Oil drain hydr. tank



Item	Part No.	Name	Qty	L	C	SN INFO
0	40-4812007491	Oil drain	1			
1	40-4812007372	Screwing	1			
2	40-4812007369	Hose	100 0			

Moba gradline 2+1 40-4812004013 Moba gradline 2+1

Item	Part No.	Name	Qty	L	C	SN INFO
1	40-D900624801	Grade control	2			
2	40-D900624754	Slope control, compl.	1			
3	40-D900624870	Tool box	1			

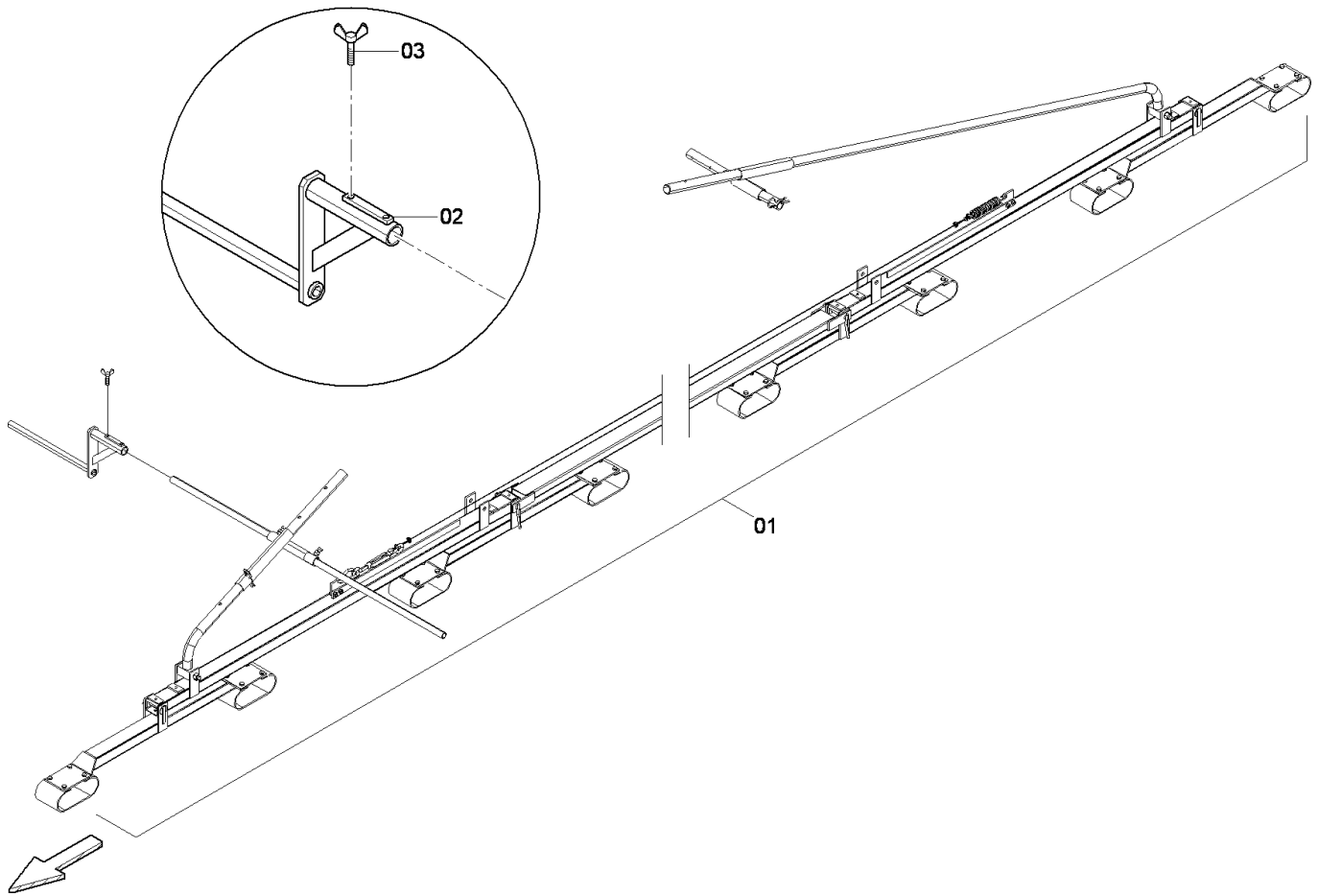
Big Ski 13m 40-4812072326 Big Ski 13m, yellow

Item	Part No.	Name	Qty	L	C	SN INFO
1	40-4812072902	Electro installation Big Ski	1			
2	40-4812041925	Big Ski 13 m	1			
3	40-4812004304	Side arm support	2	B		

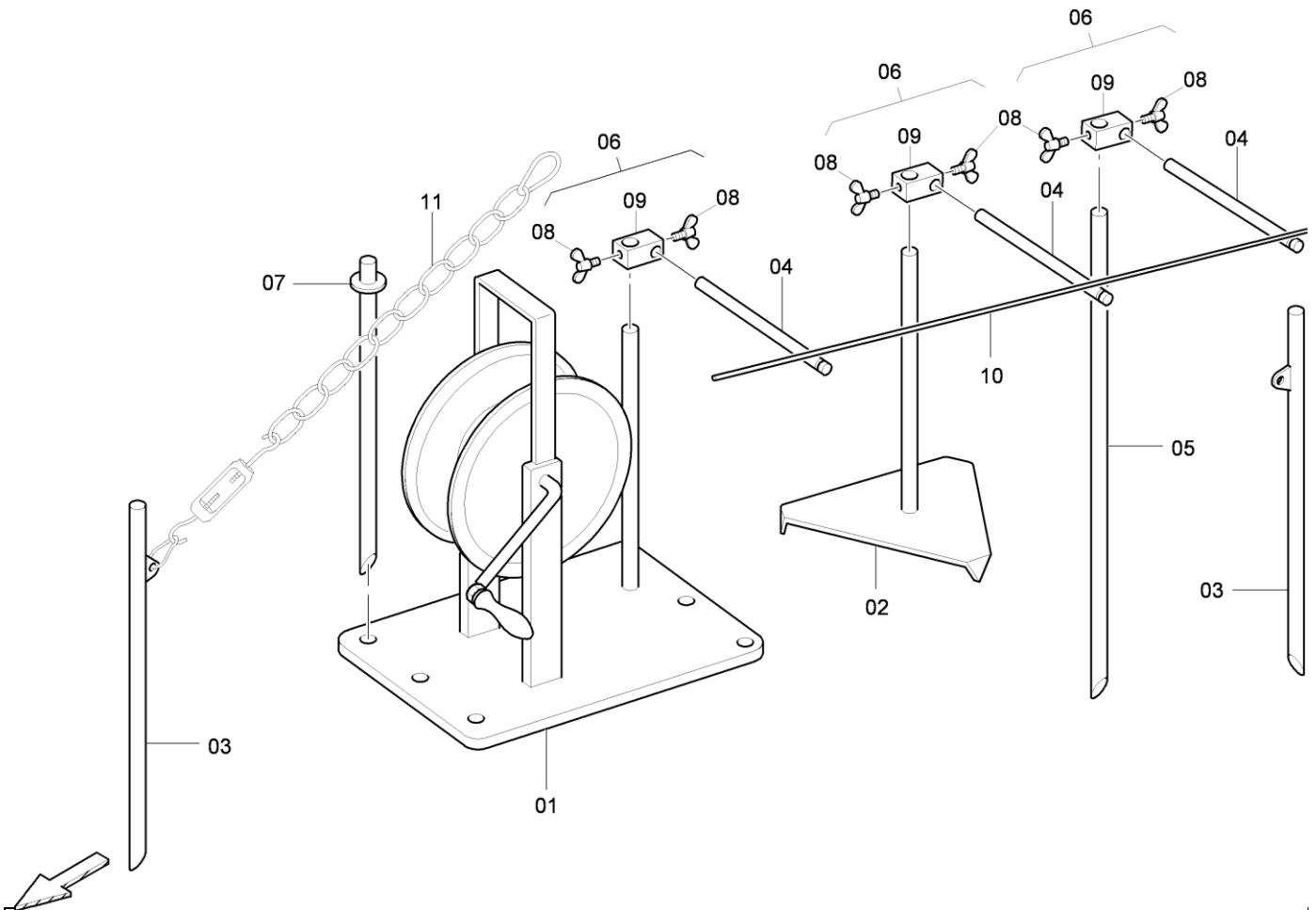
Referenced Pages

40-4812004304 Side arm support 489

Trailing ski, 9m 40-D830031400 Trailing ski, 9m



Item	Part No.	Name	Qty	L	C	SN INFO
1	40-4700688226	Trailing ski, 9m	1			
2	40-D754902001	Balancer	1			
3	40-D937032652	Wing screw	2			

Wire tensioner cpl. 40-472000701 Wire tensioner cpl.

Item	Part No.	Name	Qty	L	C	SN INFO
1	40-472000723	Belt pulley	1			
2	40-4720001520	Support	5			
3	40-472000722	Tension block	2			
4	40-4730001953	Wire holder	50			
5	40-4730001952	Levelling rod	45			
6	40-4730001954	Clamping	50			
7	40-472000724	Peg	4			
8	40-0223195718	Butterfly screw	100			
9	40-4731300187	Square bar steel	50			
10	40-4749301277	Steel wire rope x m	300			
11	40-4730004476	Chain	1			

Refer to Parts Online for the most up to date information. The printed information might be outdated.

Fri May 07 07:38:18 UTC 2021

Special tool AMMANN Ultrasonic thickness gauge



Ultrasonic thickness gauge

- With the use of the new Dynapac ultrasonic thickness gauge, wear inspection becomes an easy and quick process.
 - Easy handling - less inspection time
 - Quick inspection in workshop or in the field - just between two jobs
 - No dismantling of parts
 - No material weakening by drilling check holes etc.
 - Pro-active wear parts ordering in time.
 - No down time by final worn parts

Features :

- Ultrasonic measures thickness on various materials
- Ultrasonic velocity adjustable
- Measuring velocity function
- Thickness unit mm/inch convertible
- Coupling indication.
- Build in a metal piece for calibration
- Low battery voltage indication
- Auto power off
- Hard case, operation manual
- Tube of coupling paste.

Item	Part No.	Name	Qty	L	C	SN INFO
1	40-4812202477	Ultrasonic thickness gauge	1			

CLICK HERE TO **DOWNLOAD** THE COMPLETE MANUAL

- Thank you very much for reading the preview of the manual.
- You can download the complete manual from: www.heydownloads.com by clicking the link below



- Please note: If there is no response to CLICKING the link, please download this PDF first and then click on it.

CLICK HERE TO **DOWNLOAD** THE COMPLETE MANUAL