

Spare parts catalogue

AFT 600-3

Cummins Tier3 / Stage III



Book ID: 10002151AM3006320

CLICK HERE TO **DOWNLOAD** THE COMPLETE MANUAL

- Thank you very much for reading the preview of the manual.
- You can download the complete manual from: www.heydownloads.com by clicking the link below



- Please note: If there is no response to CLICKING the link, please download this PDF first and then click on it.

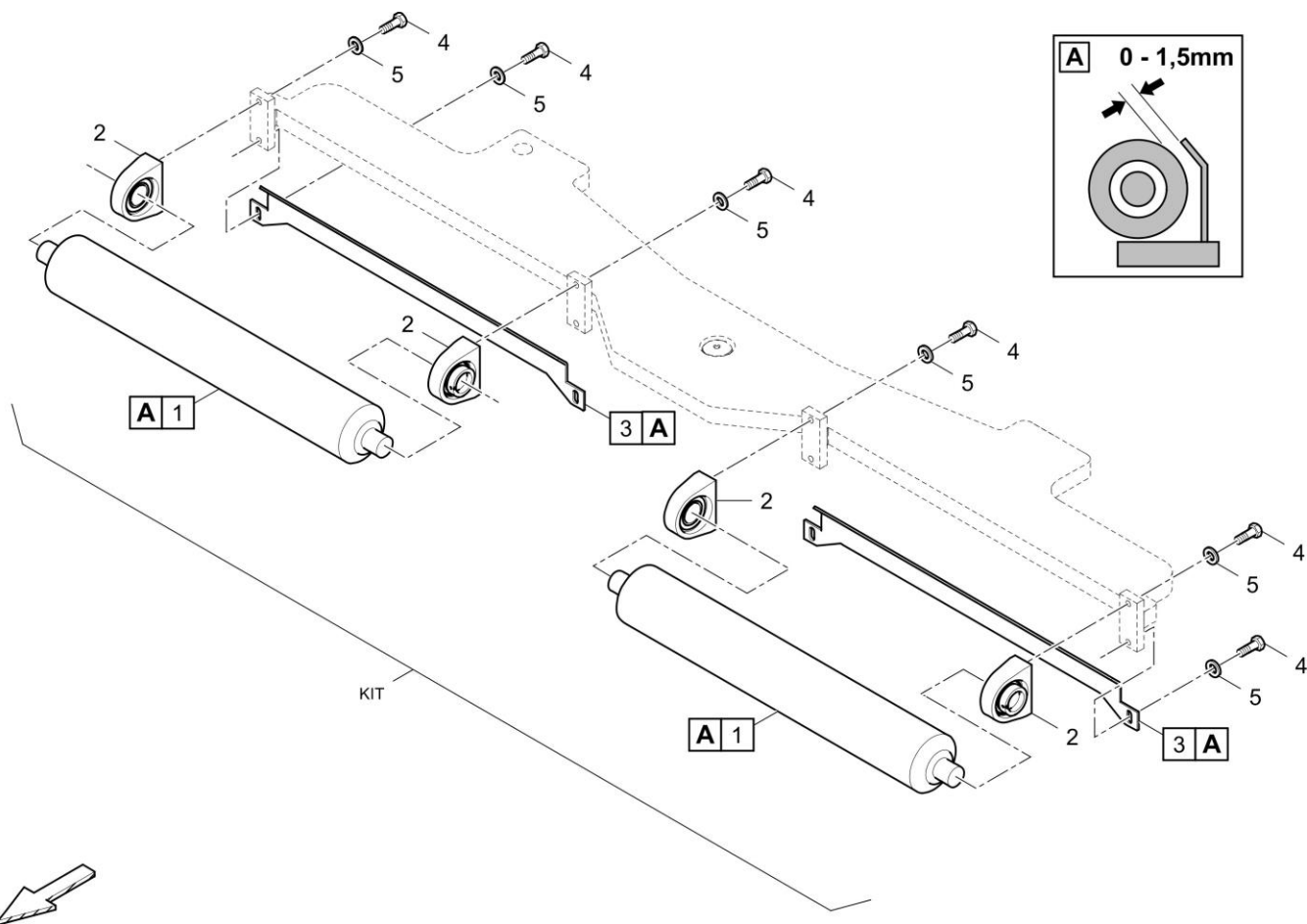
CLICK HERE TO **DOWNLOAD** THE COMPLETE MANUAL

| | |
|---|-------------|
| Air guide, r.h. | |
| 40-4812226899 Air guide, r.h., cpl..... | 60 |
| Air guide, r.h. | |
| 40-4812034771 Air guide, r.h..... | 61 |
| Air guide, rear | |
| 40-4812225657 Air guide, rear..... | 62 |
| Support plate | |
| 40-4812225681 Support plate..... | 63 |
| Air guide, l.h. | |
| 40-4812226902 Air guide, l.h., cpl..... | 64 |
| Air guide, l.h. | |
| 40-4812225640 Air guide, l.h..... | 65 |
| Retainer | |
| 40-4812225682 Retainer..... | 66 |
| Cover | |
| 40-4812225689 Cover..... | 67 |
| Door, l.h. | |
| 40-4812064224 Door, l.h..... | 68 |
| Door, l.h. | |
| 40-4812064226 Door, l.h..... | 69 |
| Support rod | |
| 40-4812041407 Support rod..... | 70 |
| Door, r. h. | |
| 40-4812064222 Door, r.h..... | 71 |
| Support rod | |
| 40-4812041407 Support rod..... | See page 70 |
| Iso- hood r.h. | |
| 40-4812074441 Iso - Hood, r.h..... | 73 |
| Hood r.h. | |
| 40-4812074444 Hood, r.h..... | 74 |
| Iso- hood l.h. | |
| 40-4812074507 Iso - Hood, l.h..... | 76 |
| hood l.h. | |
| 40-4812074698 Hood, l.h..... | 77 |
| Covering center part, l.h. | |
| 40-4812226901 Covering center part, l.h. kpl..... | 79 |
| Covering center part, l.h. | |
| 40-4812225667 Covering center part, l.h..... | 80 |
| Covering center part, r.h. | |
| 40-4812233556 Covering center part, r.h..... | 81 |
| Disc frame | |
| 40-4812226463 Disc frame, cpl..... | 82 |

| | |
|---|--------------|
| Junction box | |
| 40-4812216713 Junction box | 352 |
| Junction box | |
| 40-4812077018 Junction box | 353 |
| Mainboard | |
| 40-4812216953 Mainboard | See page 346 |
| Cable | |
| 40-4812077050 Cable W20 | 358 |
| 40-4812024179 Cable W75 | See page 351 |
| Junction box | |
| 40-4812216713 Junction box | See page 352 |
| Control unit | |
| 40-4812217017 Control unit | 363 |
| Control unit | |
| 40-4812216996 Control unit | 364 |
| Cable | |
| 40-4812024187 Harness W11 | 367 |
| 40-4812201084 Cable W66 | 370 |
| 40-4812016676 Cable W73 | 371 |
| Fixing- a. montage parts | |
| 40-4812074483 Fixing a. montage parts | 372 |
| Control unit | |
| 40-4812076561 Control unit | 373 |
| Control unit | |
| 40-4812076522 Control unit | 374 |
| Harness | |
| 40-4812024187 Harness W11 | See page 367 |
| 40-4812201084 Cable W66 | See page 370 |
| 40-4812016676 Cable W73 | See page 371 |
| Fixing- a. montage parts | |
| 40-4812074483 Fixing a. montage parts | See page 372 |
| Wiring | |
| 40-4812217024 Wiring | 379 |
| Cable | |
| 40-4812201348 Cable W2.1 | 381 |
| 40-4812023314 Cable W3 | 382 |
| 40-4812023315 Cable W4 | 383 |
| 40-4812029590 Cable W5 | 384 |
| 40-4812011128 Cable W6 | 385 |
| 40-4812029595 Cable W9 | 386 |
| 40-4812029596 Cable W10 | 387 |
| 40-D977436121 Ground strap | 388 |
| 40-4812075073 Cable W80 | 389 |
| 40-4812023317 Cable W81 | 390 |
| 40-4812023318 Cable W82 | 391 |
| 40-4812217114 Harness W15 | 392 |
| 40-4812217115 Harness W16 | 394 |
| 40-4812201349 Cable W2.2 | 396 |
| 40-4812217139 Harness W19 | 397 |

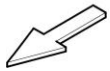
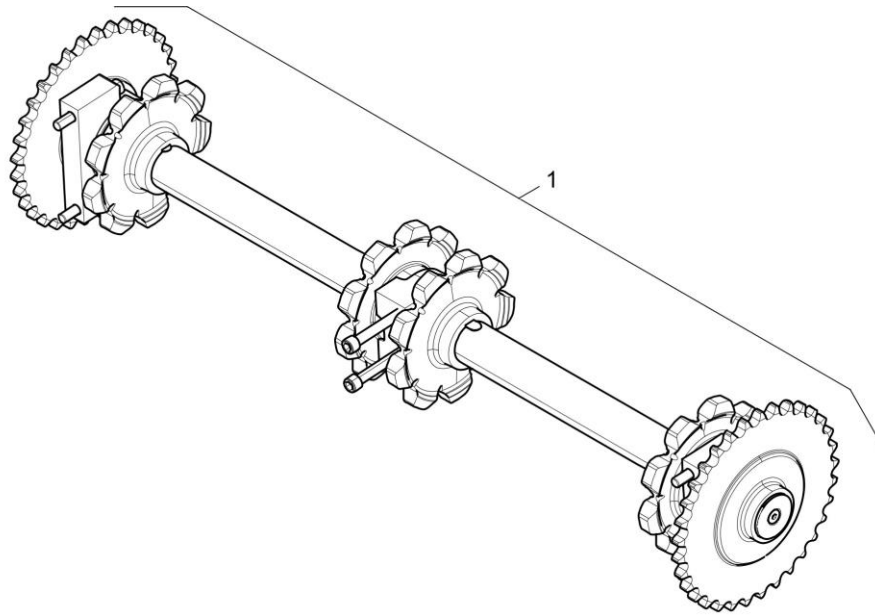
| | |
|--|--------------|
| 40-4812042035 Big Ski 9 m..... | See page 648 |
| Side arm support | |
| 40-4812004304 Side arm support..... | See page 645 |
| Add-on kit | |
| 40-4812019221 Add-on kit, yellow..... | 661 |
| Trailing ski, 9m | |
| 40-D830031400 Trailing ski, 9m..... | 662 |
| Trailing ski, 9m | |
| 40-4700688226 Trailing ski, 9m..... | 663 |
| Mounting parts | |
| 40-4700691720 Mounting parts..... | 666 |
| Trailing ski, 6m | |
| 40-D830031300 Trailing ski, 6m..... | 667 |
| Trailing ski, 6m | |
| 40-4700688225 Trailing ski, 6m..... | 668 |
| Mounting parts | |
| 40-4700691720 Mounting parts..... | See page 666 |
| Wire tensioner cpl. | |
| 40-4720000701 Wire tensioner cpl..... | 672 |
| Ultrasonic sensor | |
| 40-4812038616 Ultrasonic sensor..... | 673 |
| Sensor | |
| 40-4812038602 Sensor..... | 674 |
| Digirotary Kit | |
| 40-4812038617 Digirotary Kit..... | 675 |
| Accessories AM | |
| Spare key | |
| Key..... | 676 |
| Tools and accessories | |
| 40-4812035048 Tools and accessories..... | 677 |
| 40-4812009821 Tools and accessories..... | 678 |
| Decals | |
| Symbol | |
| Symbol..... | 680 |
| Decals | |
| 40-4812024656 Decals..... | 682 |
| 40-4812064433 Decals..... | 683 |
| Sticker, roof-high | |
| 40-4812024549 Sticker, roof-high..... | 684 |
| Special tool | |
| Ultrasonic thickness guage..... | 685 |
| Tension tester..... | 686 |
| Frequency tension tester..... | 687 |
| Infrared thermometer..... | 688 |

Hopper / pushroller kits 40-4812075204 Renewal kt, push roller

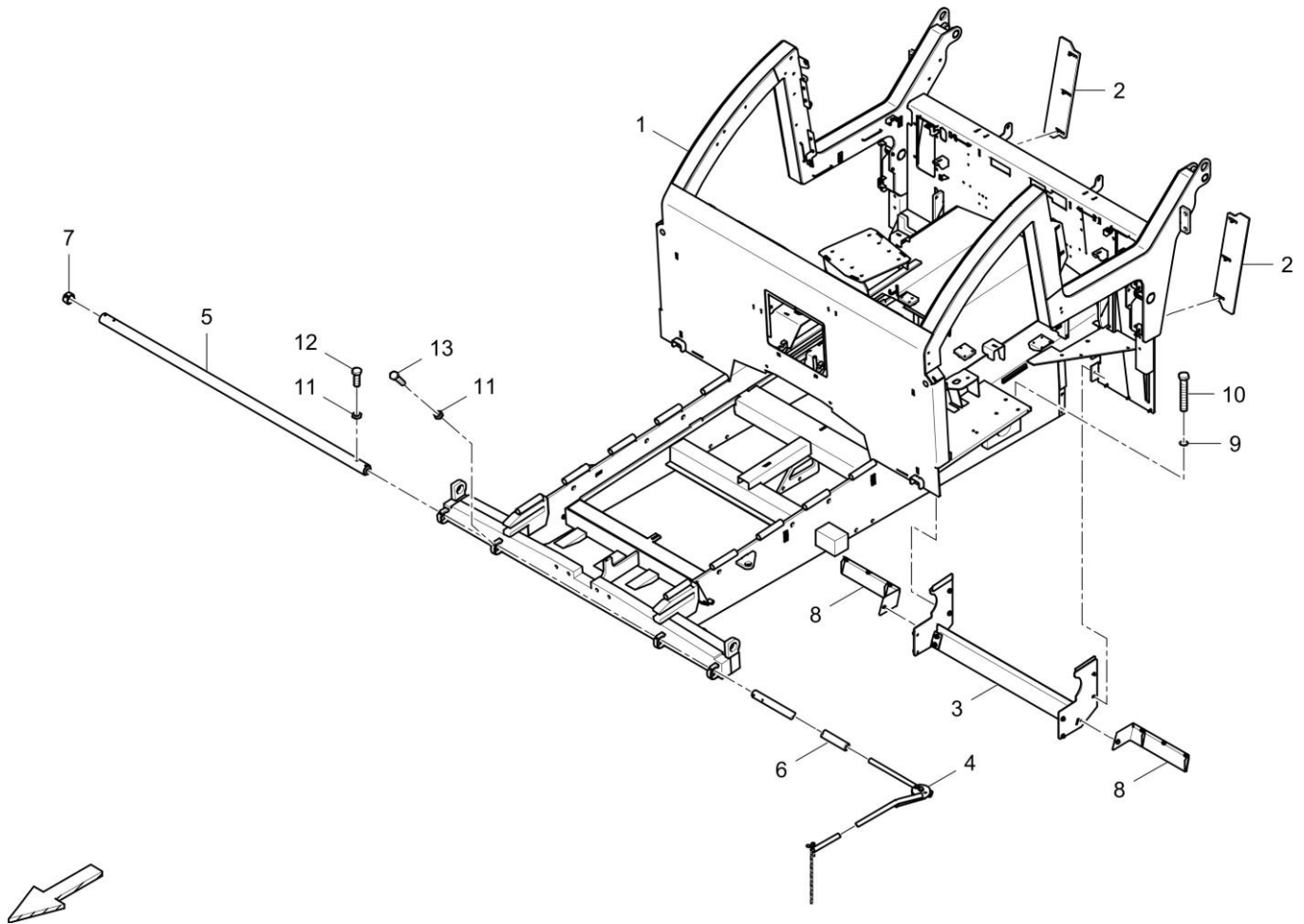


| Item | Part No. | Name | Qty | L | C | SN INFO |
|------|---------------|-------------------------|-----|---|---|---------|
| KIT | 40-4812075204 | Renewal kt, push roller | 1 | | | |
| 1 | 40-4812027446 | Push roller | 2 | | | |
| 2 | 40-4812046568 | Pillow block | 4 | | | |
| 3 | 40-4812027450 | Stripper | 2 | | | |
| 4 | 40-0147140303 | Hexagon bolt M12X40 | 8 | | | |
| 5 | 40-0333310052 | Flat washer | 8 | | | |

Conveyor kit 40-4812238489 Conveyor drive, cpl.



| Item | Part No. | Name | Qty | L | C | SN INFO |
|------|---------------|----------------|-----|---|---|---------|
| 1 | 40-4812238489 | Conveyor drive | 1 | | | |

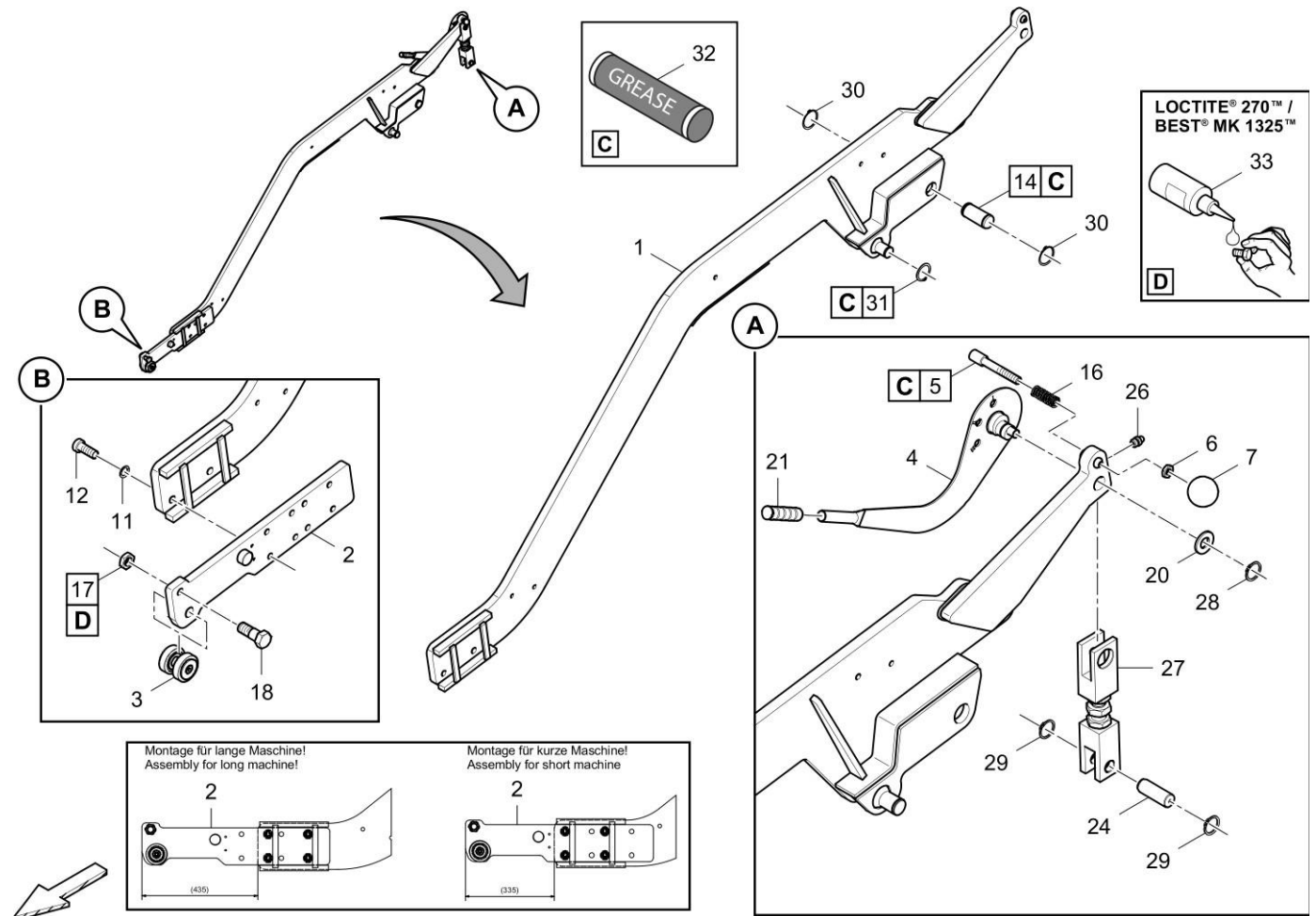
Main frame 40-4812238421 Main frame

| Item | Part No. | Name | Qty | L | C | SN INFO |
|------|---------------|--------------------------|-----|---|---|---------|
| 1 | 40-4812238200 | Main frame | 1 | | | |
| 2 | 40-4812028721 | Side arm guiding | 1 | | | |
| 3 | 40-4812238374 | Splash guard | 1 | | | |
| 4 | 40-4812036083 | Steering guide | 1 | | | |
| 5 | 40-D880010062 | Extension | 1 | | | |
| 6 | 40-4812036287 | Extension pipe | 1 | | | |
| 7 | 40-D830030909 | Bushing | 1 | | | |
| 8 | 40-4812232118 | Extension | 1 | | | |
| 9 | 40-0333310044 | Lock Washer | 4 | | | |
| 10 | 40-0147156503 | Hexagon head screw | 4 | | | |
| 11 | 40-0261109157 | Hexagon nut | 6 | | | |
| 12 | 40-0147140203 | Hex. head screw M12 x 35 | 2 | | | |
| 13 | 40-5530999900 | Hexagon head screw | 4 | | | |

Refer to Parts Online for the most up to date information. The printed information might be outdated.

Mon Sep 06 04:57:28 UTC 2021

Levelling arm, r.h. 40-4812217283 Levelling arm, r.h.

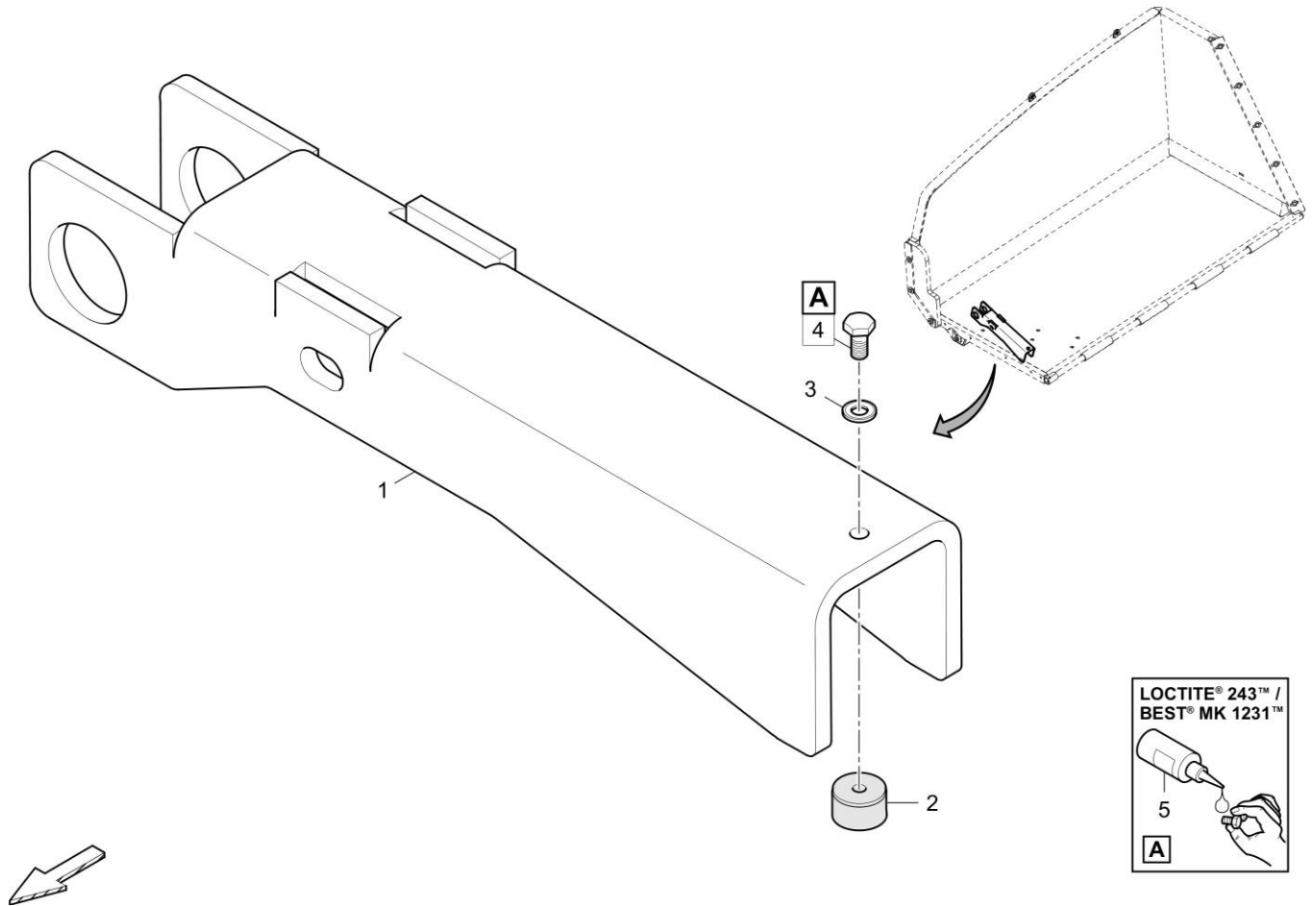


| Item | Part No. | Name | Qty | L | C | SN INFO |
|------|---------------|-------------------------------|-----|---|---|---------|
| 1 | 40-4812217291 | Levelling arm, r.h. | 1 | | | |
| 2 | 40-4812029091 | Side screed arm pull part | 1 | | | |
| 3 | 40-4812232214 | Side arm guiding | 1 | | | |
| 4 | 40-4812217299 | Eccentric lever | 1 | | | |
| 5 | 40-4730005276 | Bolt | 1 | | | |
| 6 | 40-0261109960 | Hexagon nut | 1 | | | |
| 7 | 40-0362110901 | Handle | 1 | | | |
| 11 | 40-0333310044 | Lock Washer | 4 | | | |
| 12 | 40-0215001063 | Hexagon socket head cap screw | 4 | | | |
| 14 | 40-4812029166 | Bolt | 1 | | | |
| 16 | 40-4812217435 | Compression spring | 1 | | | |
| 17 | 40-0261109935 | Nut | 1 | | | |
| 18 | 40-4812029173 | Dowel screw | 1 | | | |
| 20 | 40-0300027413 | Washer DIN125 | 1 | | | |
| 21 | 40-4749302357 | Handle | 1 | | | |
| 24 | 40-4812033196 | Bolt | 1 | | | |

Refer to Parts Online for the most up to date information. The printed information might be outdated.

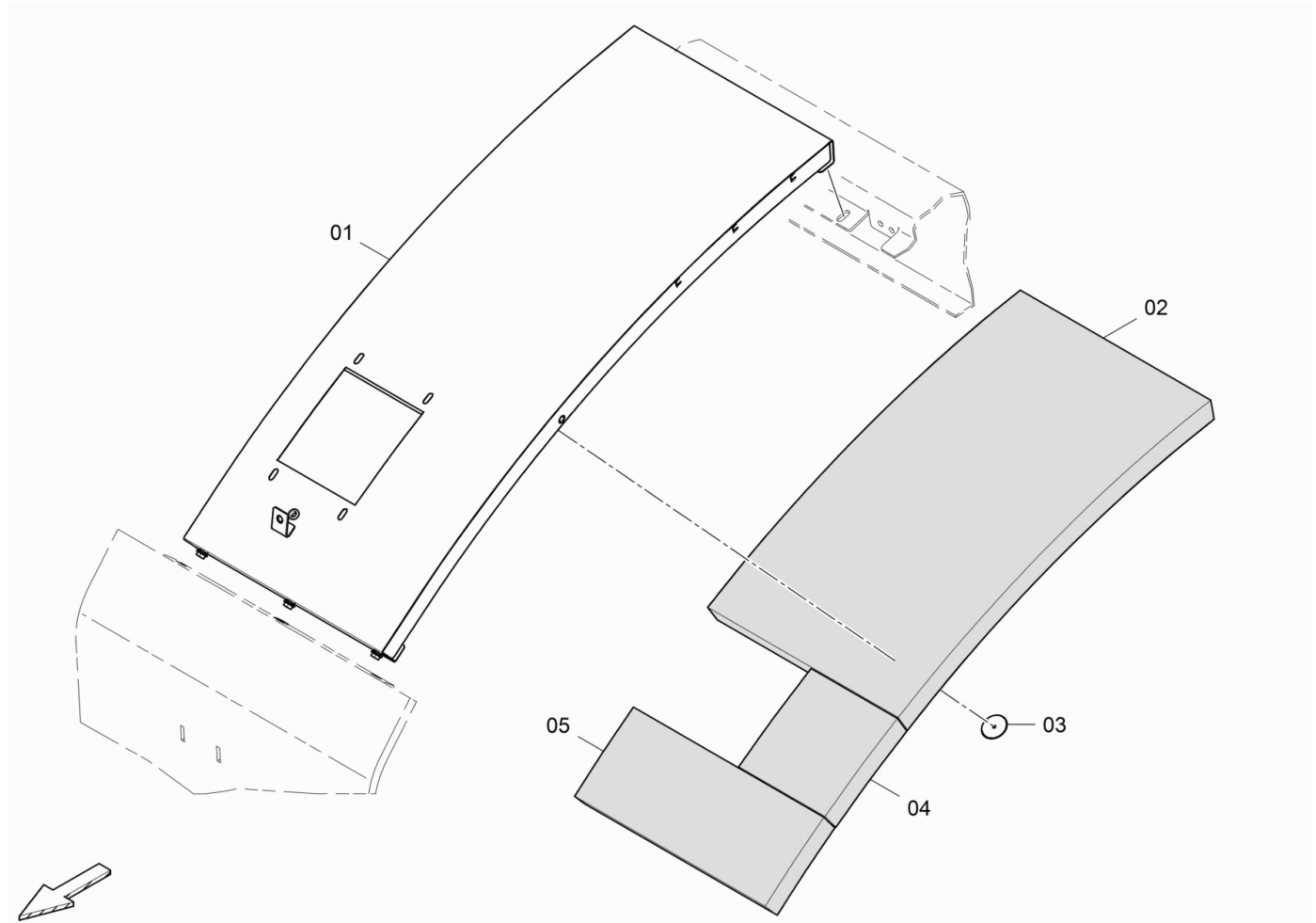
Mon Sep 06 04:57:34 UTC 2021

Locking 40-4812231436 Locking



| Item | Part No. | Name | Qty | L | C | SN INFO |
|------|---------------|-----------------------|-----|---|---|---------|
| 1 | 40-4812231437 | Angle plate | 1 | | | |
| 2 | 40-4812029437 | Rubber buffer | 1 | | | |
| 3 | 40-0301232100 | Plain washer | 1 | | | |
| 4 | 40-0147124603 | Screw | 1 | | | |
| 5 | 40-4747400034 | Thread locking, 250ml | 1 | | | |

Intermediate section 40-4812226906 Intermediate section

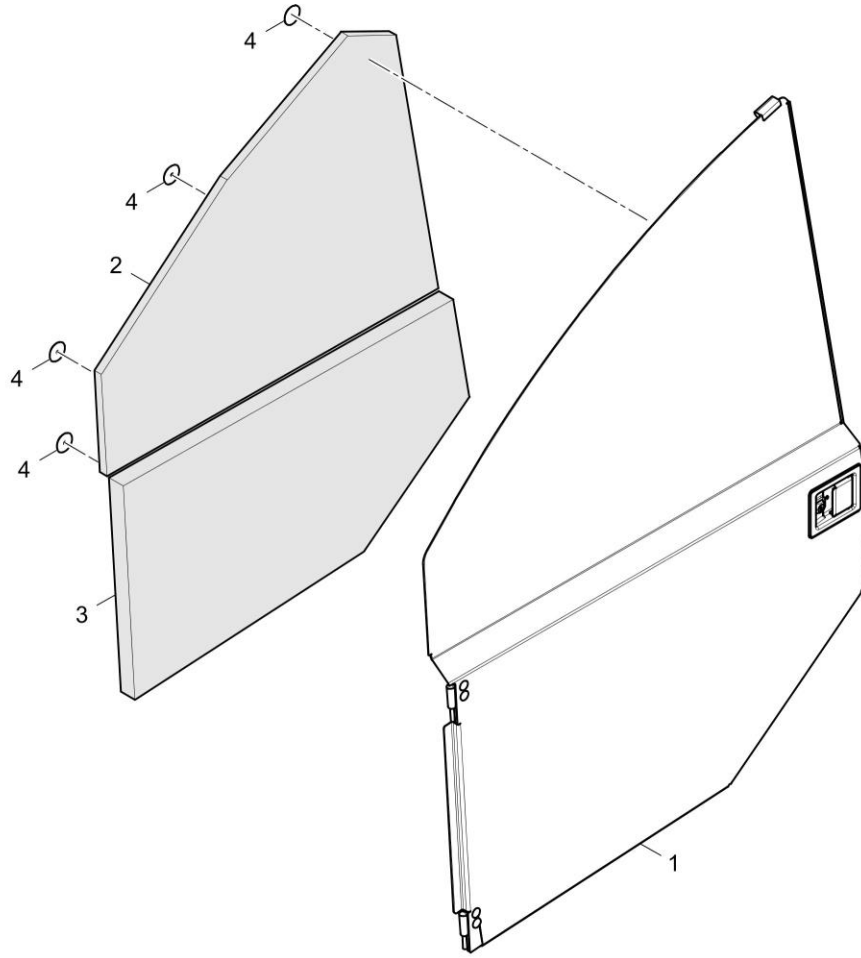


| Item | Part No. | Name | Qty | L | C | SN INFO |
|------|---------------|----------------------|-----|---|---|---------|
| 1 | 40-4812225631 | Intermediate section | 1 | | | |
| 2 | 40-4812044590 | Insulating board | 1 | | | |
| 3 | 40-4749301479 | Clip | 9 | | | |
| 4 | 40-4812044591 | Insulating board | 1 | | | |
| 5 | 40-4812044593 | Insulating board | 1 | | | |

Refer to Parts Online for the most up to date information. The printed information might be outdated.

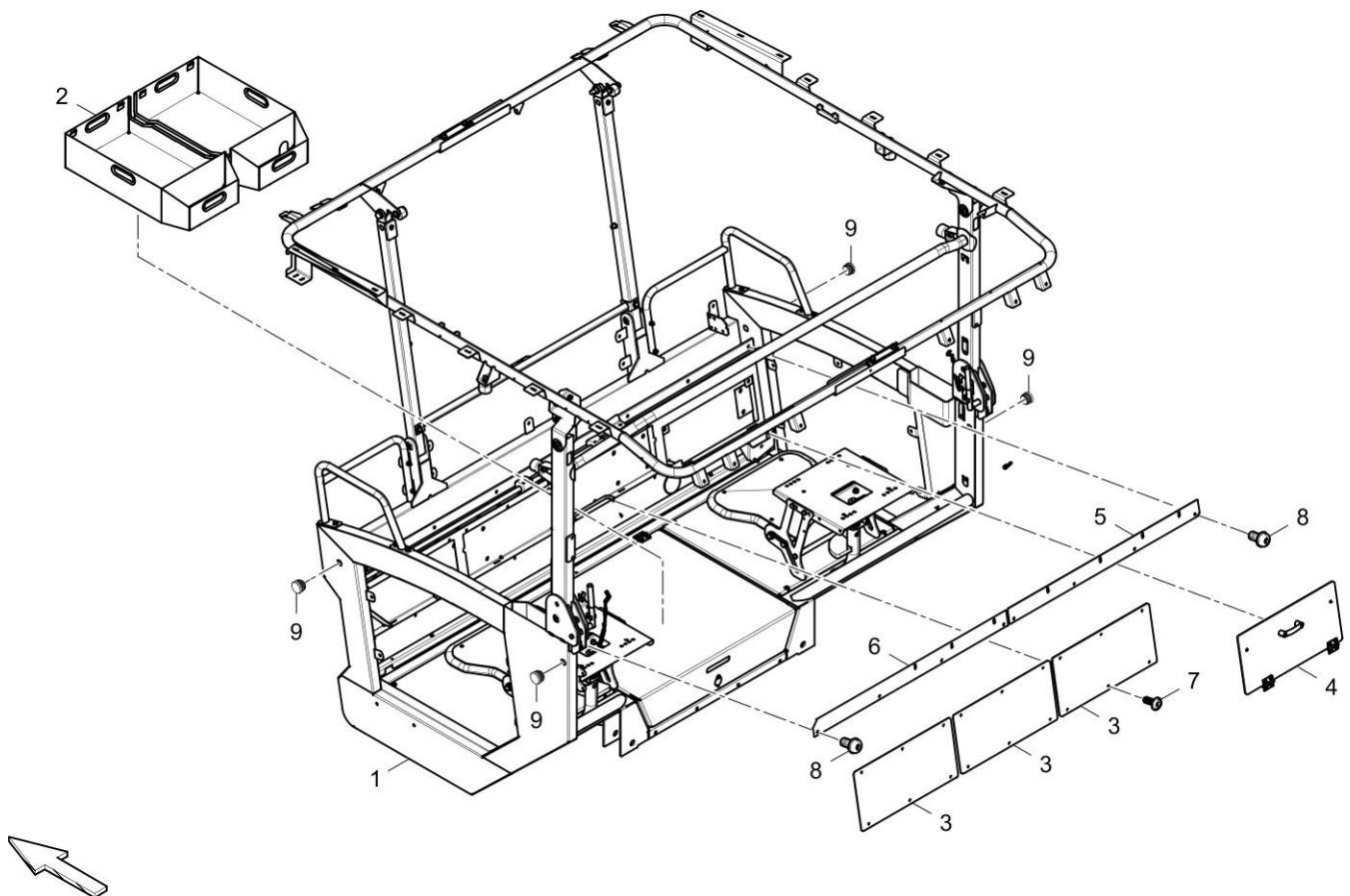
Mon Sep 06 04:57:44 UTC 2021

Door, l.h. 40-4812064224 Door, l.h.



| Item | Part No. | Name | Qty | L | C | SN INFO |
|------|---------------|---------------------|-----|---|---|---------|
| 1 | 40-4812064226 | Door, l.h. | 1 | | | |
| 2 | 40-4812074218 | Insulating material | 1 | | | |
| 3 | 40-4812006955 | Insulating material | 1 | | | |
| 4 | 40-4749301479 | Clip | 4 | | | |

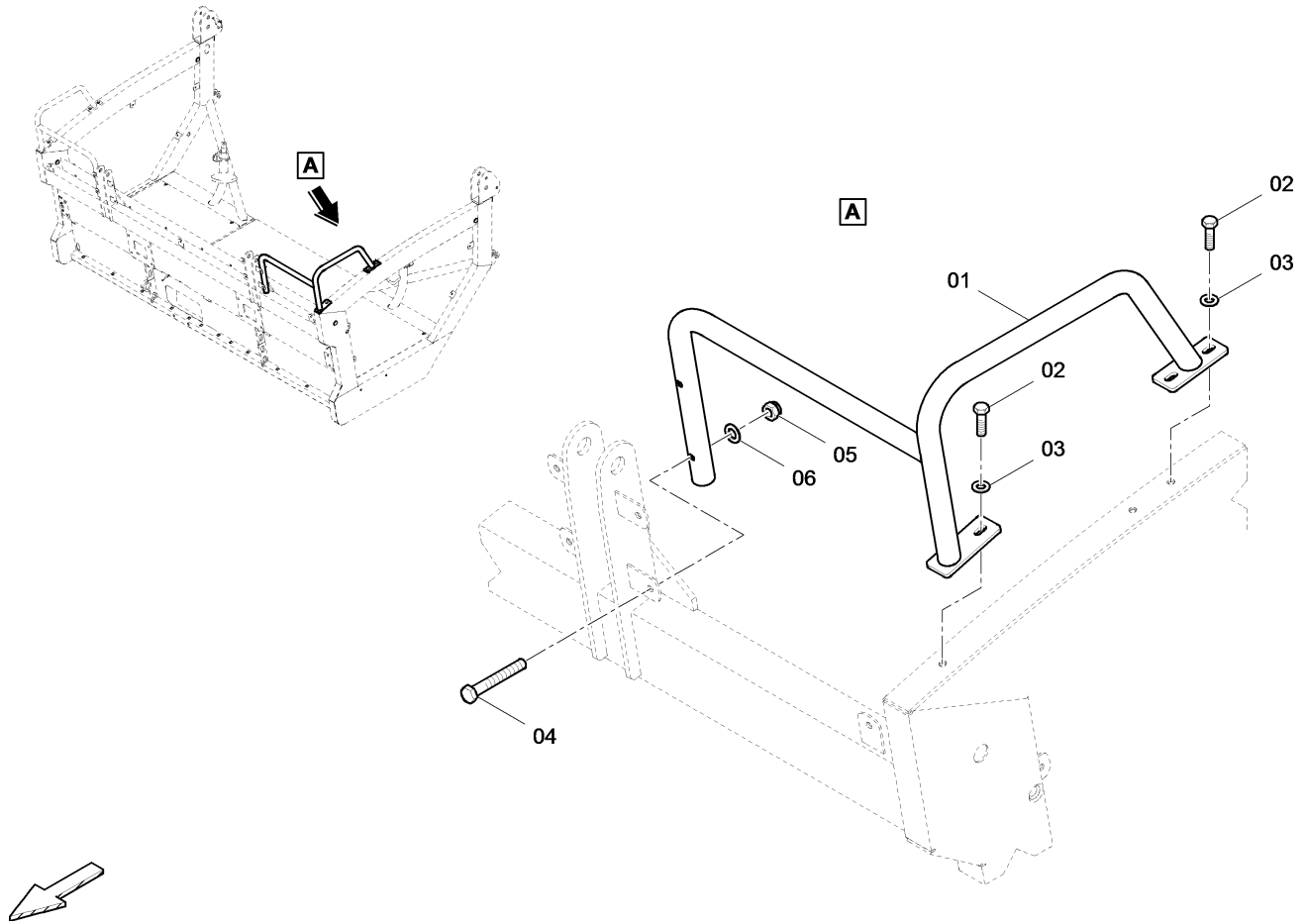
| Item | Part No. | Name | Qty | L | C | SN INFO |
|------|---------------|--------------------|-----|---|---|---------|
| 18 | 40-0266211100 | Nut hexagon | 2 | | | |
| 20 | 40-4812032847 | Lock | 1 | | | |
| 22 | 40-D939505023 | Washer | 2 | | | |
| 23 | 40-0147132203 | Hexagon head screw | 2 | | | |
| 24 | 40-4812034561 | Distance bushing | 1 | | | |
| 25 | 40-0211132903 | Hex sock. screw | 1 | | | |
| 26 | 40-0301233500 | Plain washer | 3 | | | |
| 27 | 40-0266211000 | Hexagon nut | 2 | | | |

Platform, cpl. 40-4812239351 Plattform, cpl.

| Item | Part No. | Name | Qty | L | C | SN INFO |
|------|---------------|---------------------|-----|---|---|---------|
| 1 | 40-4812239350 | Plattform | 1 | | | |
| 2 | 40-4812006340 | Sheet tub | 1 | | | |
| 3 | 40-4812072850 | Plastic plate | 3 | | | |
| 4 | 40-4812239585 | Door | 1 | | | |
| 5 | 40-4812239935 | Guide plate | 1 | | | |
| 6 | 40-4812238427 | Guide plate | 1 | | | |
| 7 | 40-4812216479 | Flat head screw | 18 | | | |
| 8 | 40-4812073460 | Flat head cap screw | 8 | | | |
| 9 | 40-4812078161 | Plug | 8 | | | |

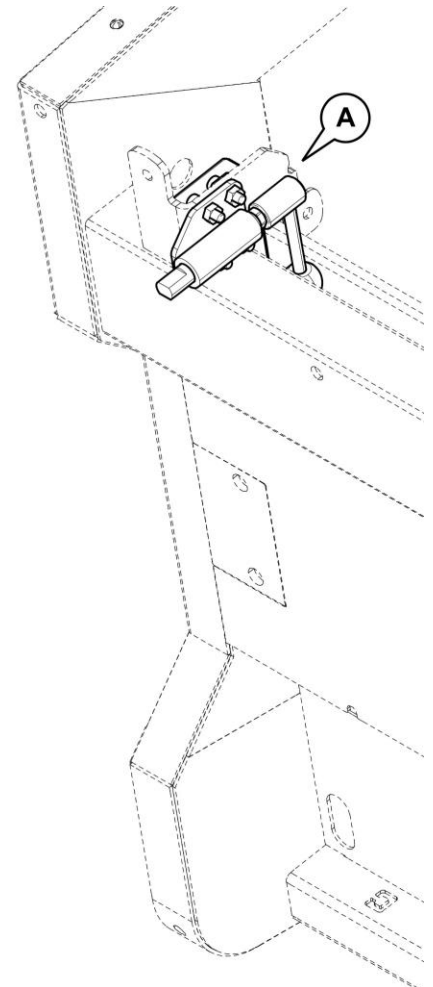
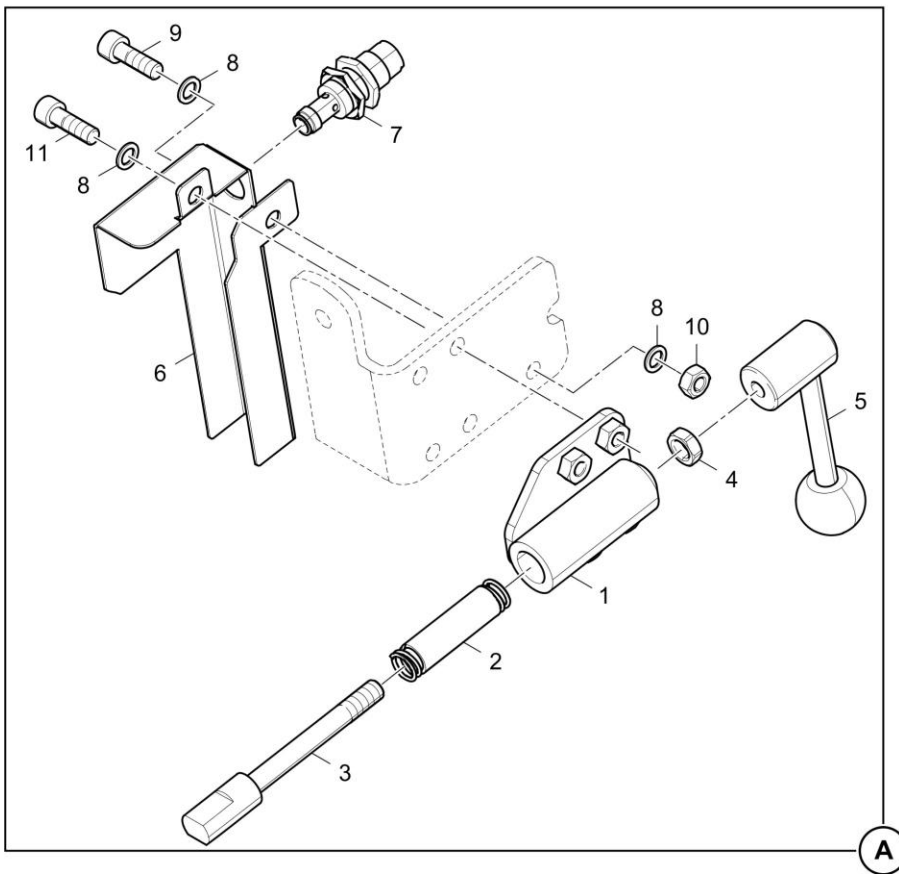
Refer to Parts Online for the most up to date information. The printed information might be outdated.

Mon Sep 06 04:57:52 UTC 2021

Crash protection, l.h. 40-4812225523 Crash protection, l.h.

| Item | Part No. | Name | Qty | L | C | SN INFO |
|------|---------------|-------------------------|-----|---|---|---------|
| 1 | 40-4812225509 | Crash protection, l.h. | 1 | | | |
| 2 | 40-0147132503 | Hex. Head screw M8 x 25 | 3 | | | |
| 3 | 40-D939505038 | Washer | 3 | | | |
| 4 | 40-0147133003 | Screw | 2 | | | |
| 5 | 40-0291118802 | Hexagon nut | 2 | | | |
| 6 | 40-0301233500 | Plain washer | 2 | | | |

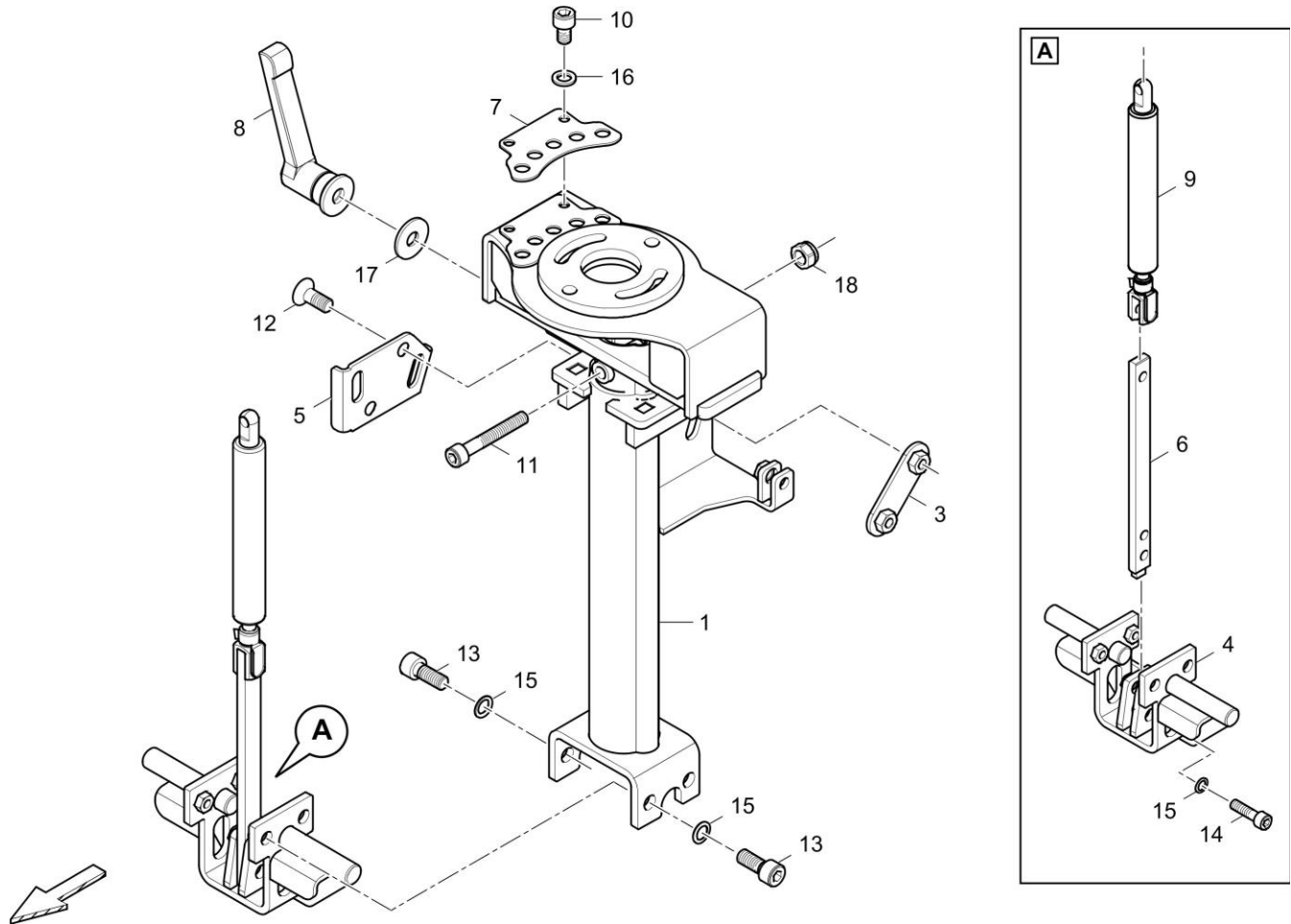
| Item | Part No. | Name | Qty | L | C | SN INFO |
|------|---------------|-------------------|-----|---|---|---------|
| 17 | 40-0147132703 | Hexagon bolt | 2 | | | |
| 18 | 40-0291118802 | Hexagon nut | 2 | | | |
| 19 | 40-4812007091 | Washer | 1 | | | |
| 20 | 40-0216195783 | Countersunk screw | 4 | | | |
| 21 | 40-0147136303 | Screw | 7 | | | |
| 22 | 40-0302127405 | Washer | 4 | | | |
| 23 | 40-5541396800 | Hexagon nut | 4 | | | |
| 24 | 40-0147125103 | Hex. head screw | 1 | | | |
| 25 | 40-0291112854 | Hexagon nut | 1 | | | |
| 26 | 40-4812228345 | Carrier | 1 | | | |

Retainer 40-4812239645 Locking

| Item | Part No. | Name | Qty | L | C | SN INFO |
|------|---------------|---------------------|-----|---|---|---------|
| 1 | 40-4812239940 | Holder | 1 | | | |
| 2 | 40-4812071277 | Compression spring | 1 | | | |
| 3 | 40-4812239943 | Bolt | 1 | | | |
| 4 | 40-0261109960 | Hexagon nut | 1 | | | |
| 5 | 40-4812072760 | Lever | 1 | | | |
| 6 | 40-4812060777 | Sensor cover | 1 | | | |
| 7 | 40-4812217526 | Sensor | 1 | | | |
| 8 | 40-0333310036 | Schnorr-lock washer | 6 | | | |
| 9 | 40-0211132303 | Hex. socket screw | 1 | | | |
| 10 | 40-0266211000 | Hexagon nut | 1 | | | |
| 11 | 40-0211132503 | Hex socket screw | 4 | | | |

Refer to Parts Online for the most up to date information. The printed information might be outdated.

Mon Sep 06 04:58:03 UTC 2021

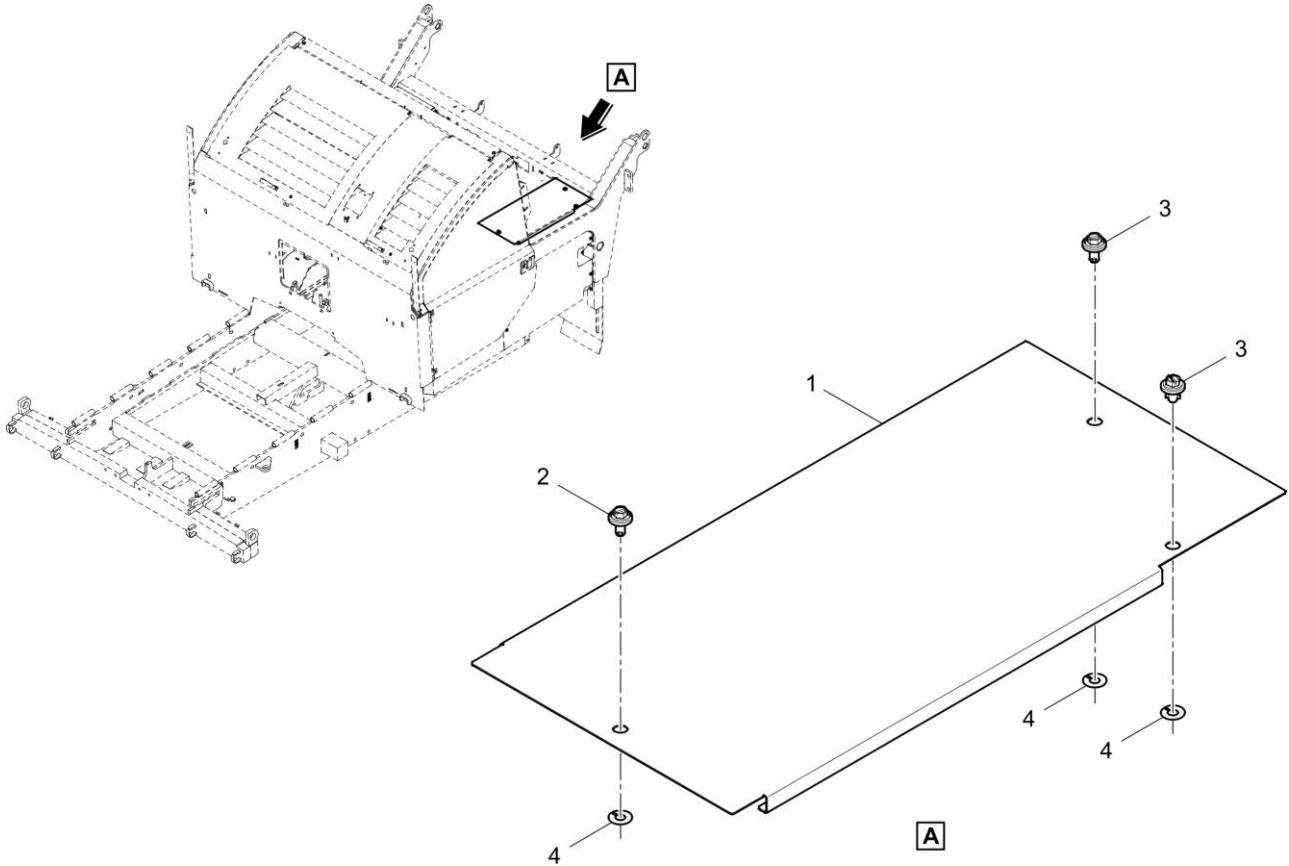
Clamping lever 40-4812227100 Clamping lever

| Item | Part No. | Name | Qty | L | C | SN INFO |
|------|---------------|-------------------------------|-----|---|---|---------|
| 1 | 40-4812228437 | Telescopic pipe set | 1 | | | |
| 3 | 40-4812007654 | Clamping plate | 1 | | | |
| 4 | 40-4812227004 | Bearing levers | 1 | | | |
| 5 | 40-4812007272 | Plate | 1 | | | |
| 6 | 40-4812227030 | Lever | 1 | | | |
| 7 | 40-4812007153 | Plate | 1 | | | |
| 8 | 40-D930290331 | Clamping lever | 1 | | | |
| 9 | 40-4812005200 | Pneumatic spring | 1 | | | |
| 10 | 40-0211124303 | Screw M6x10 ISO 4762 | 2 | | | |
| 11 | 40-0211196513 | Hexagon socket head cap screw | 1 | | | |
| 12 | 40-0216195748 | Hex.sock.screw | 2 | | | |
| 13 | 40-0211132303 | Hex. socket screw | 4 | | | |
| 14 | 40-0211132603 | Hex. sock. screw | 2 | | | |
| 15 | 40-0333310036 | Schnorr-lock washer | 7 | | | |
| 16 | 40-0333310045 | Schnorr-lock washer | 2 | | | |
| 17 | 40-0302127405 | Washer | 1 | | | |

Refer to Parts Online for the most up to date information. The printed information might be outdated.

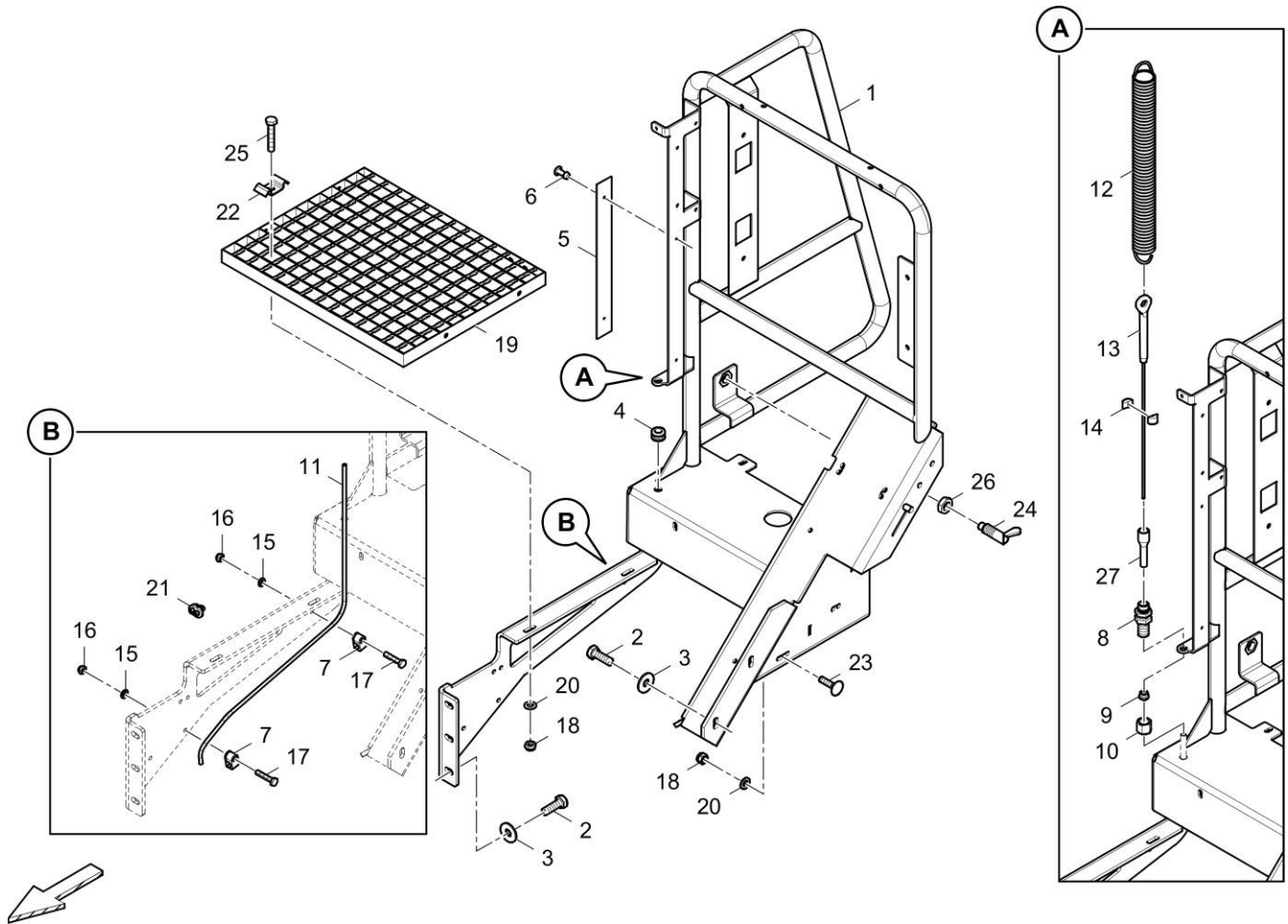
Mon Sep 06 04:58:07 UTC 2021

Cover, l.h. 40-4812226815 Cover, l.h.



| Item | Part No. | Name | Qty | L | C | SN INFO |
|------|---------------|-------------|-----|---|---|---------|
| 1 | 40-4812225678 | Cover, l.h. | 1 | | | |
| 2 | 40-4812032461 | Pivot | 1 | | | |
| 3 | 40-4812032462 | Pivot | 2 | | | |
| 4 | 40-D930240616 | Washer | 3 | | | |

Ascent, l.h. 40-4812217871 Ascent, l.h.



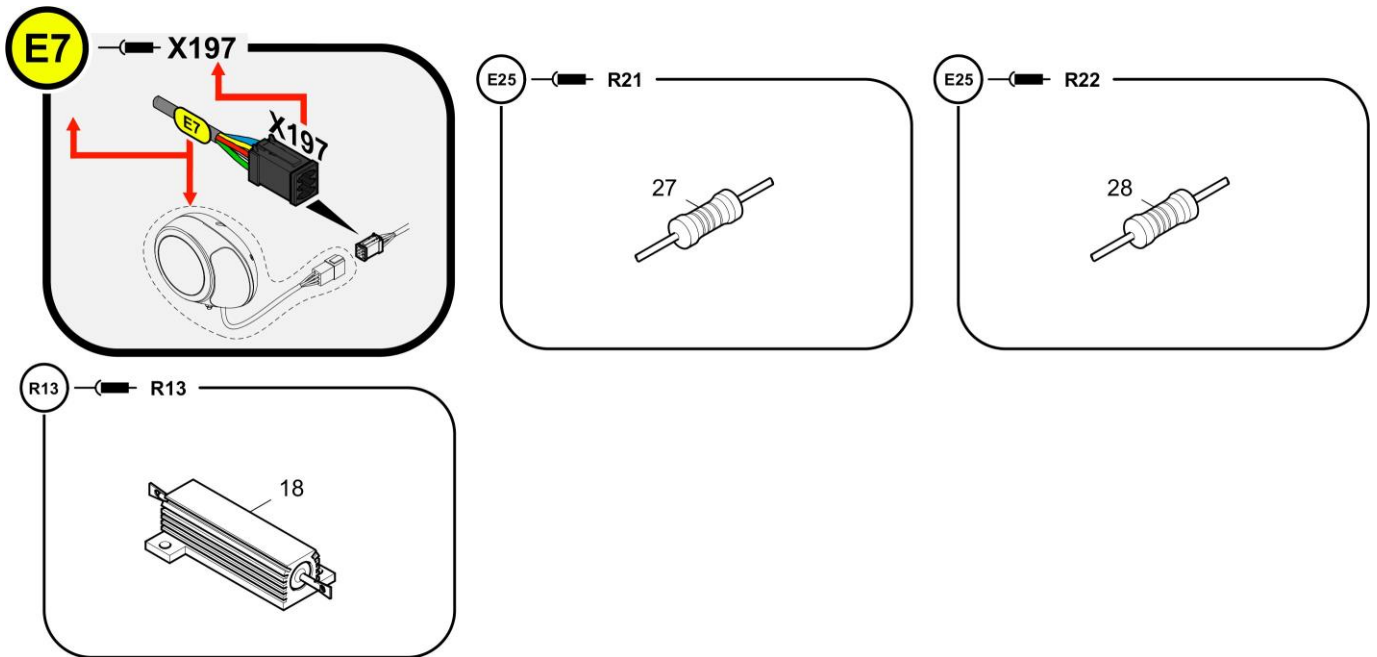
| Item | Part No. | Name | Qty | L | C | SN INFO |
|------|---------------|----------------------------|-----|---|---|---------|
| 1 | 40-4812217875 | Ascent, l.h. | 1 | | | |
| 2 | 40-0147136303 | Screw | 5 | | | |
| 3 | 40-D939515029 | Washer | 5 | | | |
| 4 | 40-4812031296 | Cable bushing | 1 | | | |
| 5 | 40-D990000402 | Scale | 1 | | | |
| 6 | 40-4749302758 | Blind rivet | 2 | | | |
| 7 | 40-D934360025 | Clamp | 2 | | | |
| 8 | 40-D961906006 | Straight bulkhead coupling | 1 | | | |
| 9 | 40-D961102056 | Olive | 1 | | | |
| 10 | 40-D961102006 | Nut | 1 | | | |
| 11 | 40-4812014442 | Pipeline | 1 | | | |
| 12 | 40-4812073458 | Draw spring | 1 | | | |
| 13 | 40-4812039250 | Rope | 1 | | | |
| 14 | 40-4812039248 | Clamping | 1 | | | |
| 15 | 40-0301232100 | Plain washer | 2 | | | |
| 16 | 40-0291118507 | Nut | 2 | | | |

Refer to Parts Online for the most up to date information. The printed information might be outdated.

Mon Sep 06 04:58:14 UTC 2021

| Item | Part No. | Name | Qty | L | C | SN INFO |
|------|---------------|----------|-----|---|---|---------|
| 200 | 40-4812013721 | Sealring | 2 | | | |
| 300 | 40-0211136503 | Screw | 8 | | | |

| Item | Part No. | Name | Qty | L | C | SN INFO |
|------|---------------|------------|-----|---|---|---------|
| 18 | 40-D934362099 | Pipe clamp | 1 | | | |



| Item | Part No. | Name | Qty | L | C | SN INFO |
|------|---------------|----------------------------|-----|---|---|---------|
| 2 | 40-4812029239 | Power-timer housing | 1 | | | |
| 3 | 40-D977466151 | Insert | 1 | | | |
| 4 | 40-D977466134 | Socket shell | 1 | | | |
| 5 | 40-4812029030 | Valve plug | 1 | | | |
| 6 | 40-D977466155 | Connector housing | 1 | | | |
| 7 | 40-D977397710 | Receptacle | 2 | | | |
| 8 | 40-4812029308 | Socket | 1 | | | |
| 9 | 40-4812044888 | Wire box | 2 | | | |
| 10 | 40-D977477113 | Receptacle housing | 1 | | | |
| 11 | 40-D977330125 | Female housing | 1 | | | |
| 12 | 40-D977331003 | Timer housing | 1 | | | |
| 12.3 | 40-D977478244 | Single wire sealing | 2 | | | |
| 12.4 | 40-D977331004 | Timer housing | 1 | | | |
| 12.5 | 40-D977397904 | Junior-power-timer contact | 2 | | | |
| 13 | 40-D977477124 | Socket shell | 1 | | | |
| 14 | 40-D977477184 | Plug | 1 | | | |
| 14.1 | 40-D977477102 | Socket shell | 1 | | | |

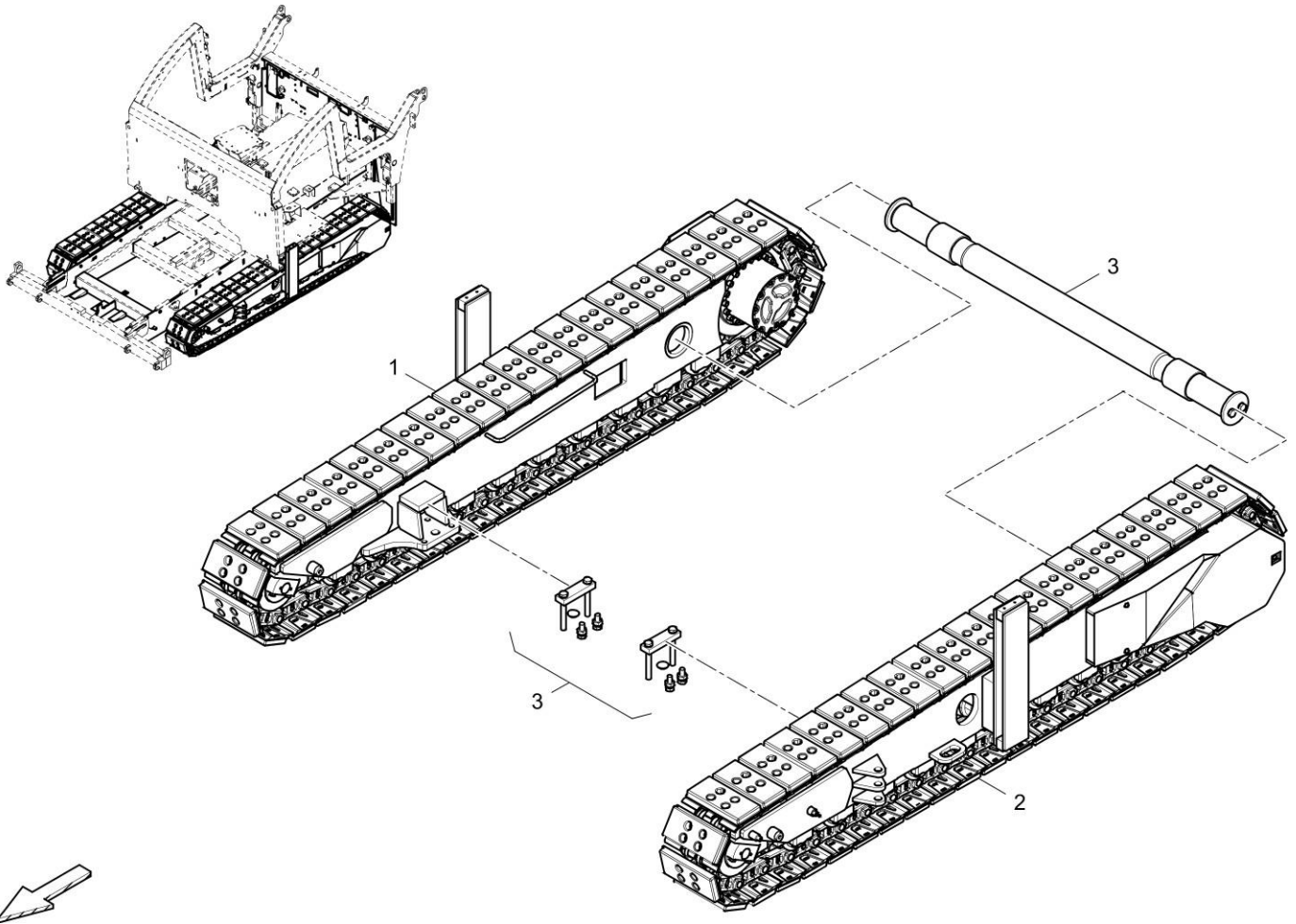
Refer to Parts Online for the most up to date information. The printed information might be outdated.

Mon Sep 06 04:58:24 UTC 2021

| Item | Part No. | Name | Qty | L | C | SN INFO |
|------|---------------|-------------------------------|-----|---|---|---------|
| 16 | 40-4812035990 | Pipe | 1 | | | |
| 17 | 40-4812035986 | Perforated disc | 1 | | | |
| 18 | 40-4812040546 | Flange | 1 | | | |
| 19 | 40-4812016732 | Dipstick | 1 | | | |
| 20 | 40-4812016733 | Housing | 1 | | | |
| 21 | 40-4812036000 | Roller bearing | 4 | | | |
| 22 | 40-4812016734 | Roller bearing | 5 | | | |
| 23 | 40-4749510005 | Roller bearing | 4 | | | |
| 24 | 40-4812016735 | Roller bearing | 1 | | | |
| 25 | 40-4812036007 | O-ring | 1 | | | |
| 25.5 | 40-4812016736 | O-ring | 1 | | | |
| 26 | 40-D936004849 | Circlip | 10 | | | |
| 27 | 40-4734261199 | Circlip | 2 | | | |
| 28 | 40-D936031509 | Circlip | 4 | | | |
| 29 | 40-D936032772 | Circlip | 3 | | | |
| 30 | 40-4812036004 | Radial shaft seal | 2 | | | |
| 31 | 40-4812036014 | Feather key | 8 | | | |
| 32 | 40-D931706748 | Feather key | 4 | | | |
| 33 | 40-0211136503 | Screw | 38 | | | |
| 34 | 40-4749900919 | Screw | 1 | | | |
| 34.5 | 40-0211140103 | Hex socket screw | 8 | | | |
| 35 | 40-0211147703 | Hexagon socket head cap screw | 3 | | | |
| 36 | 40-0147125212 | Hex. head screw | 1 | | | |
| 37 | 40-0147147703 | Hexagon bolt M16x40 | 1 | | | |
| 38 | 40-4812036082 | Conical pin | 2 | | | |
| 39 | 40-4812036084 | Dowel pin | 1 | | | |
| 40 | 40-4812036086 | Dowel pin | 1 | | | |
| 41 | 40-4812036091 | Plug screw | 3 | | | |
| 42 | 40-4812036092 | Plug screw | 1 | | | |
| 43 | 40-4812036093 | Plug screw | 1 | | | |
| 44 | 40-4812036094 | Aeration filter | 1 | | | |
| 45 | 40-4812036095 | Streetell | 1 | | | |
| 46 | 40-4812036096 | Pipe clamp | 1 | | | |
| 47 | 40-4812036098 | Seal ring | 3 | | | |
| 48 | 40-4812036099 | Seal ring | 2 | | | |
| 49 | 40-4812036100 | Tube pole cap | 2 | | | |
| 50 | 40-4812036101 | Stud elbow | 1 | | | |

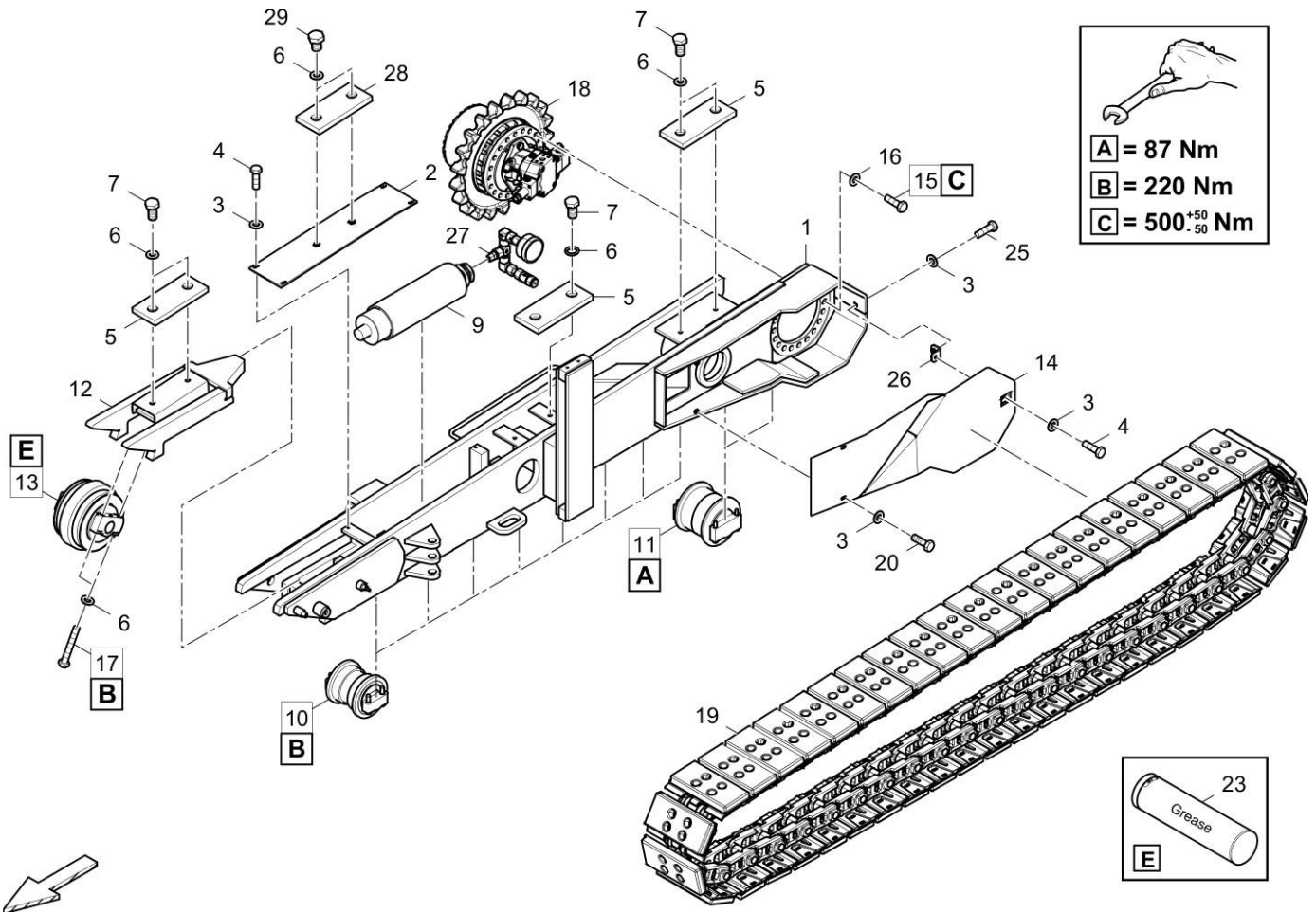
Refer to Parts Online for the most up to date information. The printed information might be outdated.

Mon Sep 06 04:58:29 UTC 2021

Drive 40-4812216523 Track group

| Item | Part No. | Name | Qty | L | C | SN INFO |
|------|---------------|--------------------------|-----|---|---|---------|
| 1 | 40-4812216545 | Track group, short, r.h. | 1 | | | |
| 2 | 40-4812216546 | Track group, short, l.h. | 1 | | | |
| 3 | 40-4812077810 | Track group support | 1 | | | |

Track group, short, l.h. 40-4812216546 Track group, short, l.h.



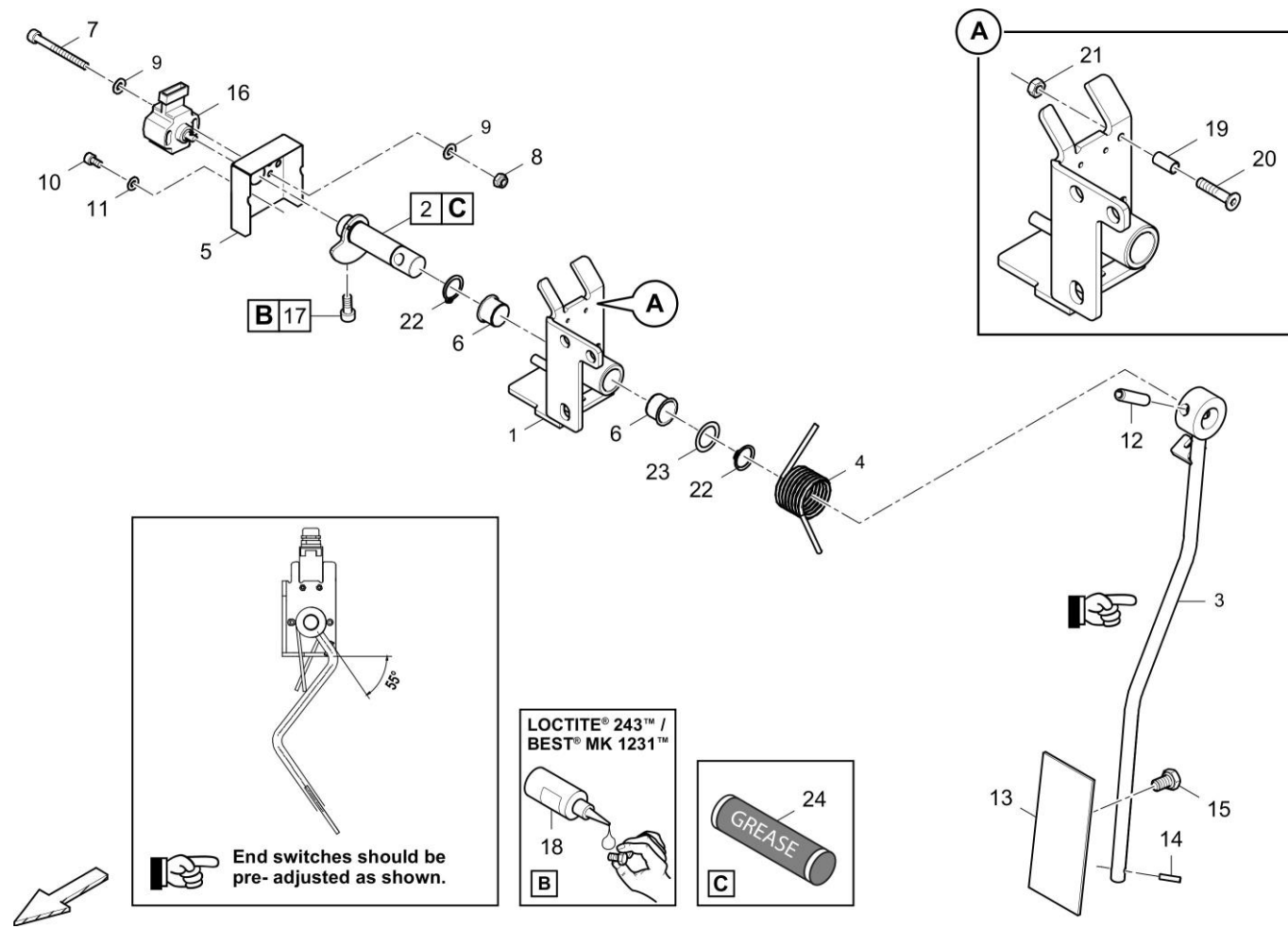
| Item | Part No. | Name | Qty | L | C | SN INFO |
|------|---------------|----------------------|-----|---|---|---------|
| 1 | 40-4812077776 | Drive frame | 1 | | | |
| 2 | 40-4812046119 | Cover plate | 1 | | | |
| 3 | 40-4812027063 | Washer | 8 | | | |
| 4 | 40-0147136203 | Hex.bolt M10x25 | 5 | | | |
| 5 | 40-4812043244 | Slide part | 3 | | | |
| 6 | 40-0333310042 | Schnorr-lock washer | 12 | | | |
| 7 | 40-0147147503 | Hex bolt | 6 | | | |
| 9 | 40-4812226351 | Track tensioner | 1 | | | |
| 9.1 | 40-4812074386 | Seal kit | 1 | | | |
| 10 | 40-4812043053 | Track roller, small | 8 | | | |
| 11 | 40-4812043052 | Track roller, big | 2 | | | |
| 12 | 40-4812043286 | Guide wheel steering | 1 | | | |
| 13 | 40-4812043695 | Idler | 1 | | | |
| 14 | 40-4812011960 | Cover | 1 | | | |
| 15 | 40-5541053900 | Hexagon head screw | 20 | | | |
| 16 | 40-0333310044 | Lock Washer | 20 | | | |

Refer to Parts Online for the most up to date information. The printed information might be outdated.

Mon Sep 06 04:58:39 UTC 2021

| Item | Part No. | Name | Qty | L | C | SN INFO |
|------|---------------|----------------------------|-----|---|---|---------|
| 17 | 40-D937934510 | Screw | 4 | | | |
| 18 | 40-4812161897 | Paver Grease / 1 cartridge | 1 | | | |
| 19 | 40-D937934506 | Cylinder screw | 2 | | | |
| 20 | 40-4747400034 | Thread locking, 250ml | 1 | | | |

Conveyor limit switch SPS cpl, r.h. 40-4812201807 Conveyor limit switch SPS cpl, r.h.

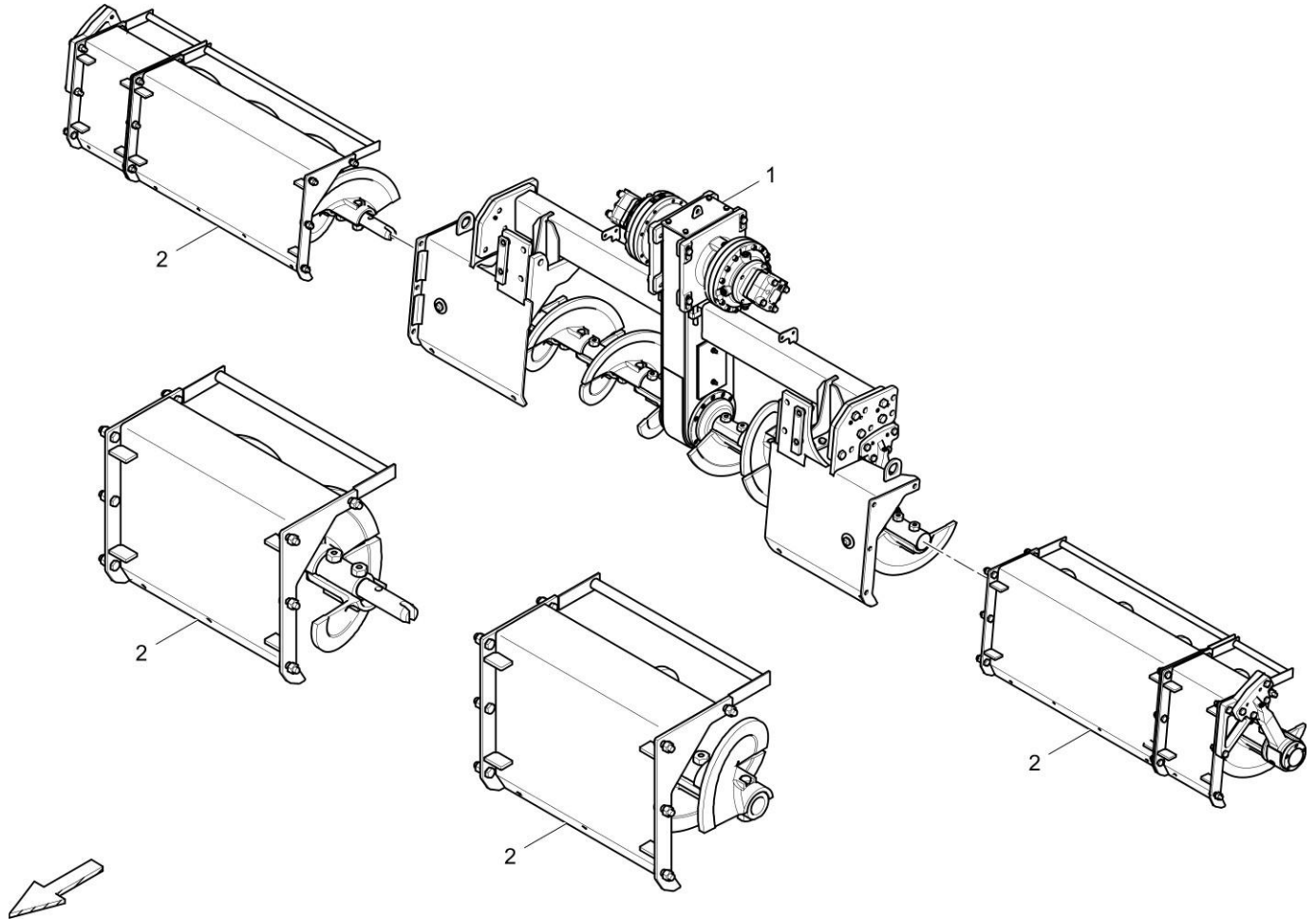


| Item | Part No. | Name | Qty | L | C | SN INFO |
|------|---------------|--------------------|-----|---|---|---------|
| 1 | 40-4812014389 | Retainer | 1 | | | |
| 2 | 40-4812215272 | Shifting shaft | 1 | | | |
| 3 | 40-4812201535 | Lever | 1 | | | |
| 4 | 40-4812024902 | Spring | 1 | | | |
| 5 | 40-4812014693 | Cover | 1 | | | |
| 6 | 40-4812014318 | Friction bearing | 2 | | | |
| 7 | 40-D937930175 | Cylinder screw | 2 | | | |
| 8 | 40-0291118503 | Hexagon nut | 2 | | | |
| 9 | 40-0301231800 | Flat washer | 4 | | | |
| 10 | 40-0211116903 | Screw | 2 | | | |
| 11 | 40-4749900492 | Shake-proof washer | 2 | | | |
| 12 | 40-D931501324 | Dowel pin | 1 | | | |
| 13 | 40-4812033791 | Stop plate | 1 | | | |
| 14 | 40-4700629008 | Dowel pin | 1 | | | |
| 15 | 40-0147135903 | Hexagon bolt | 1 | | | |
| 16 | 40-4812014483 | Angle sensor | 1 | | | |

Refer to Parts Online for the most up to date information. The printed information might be outdated.

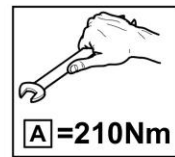
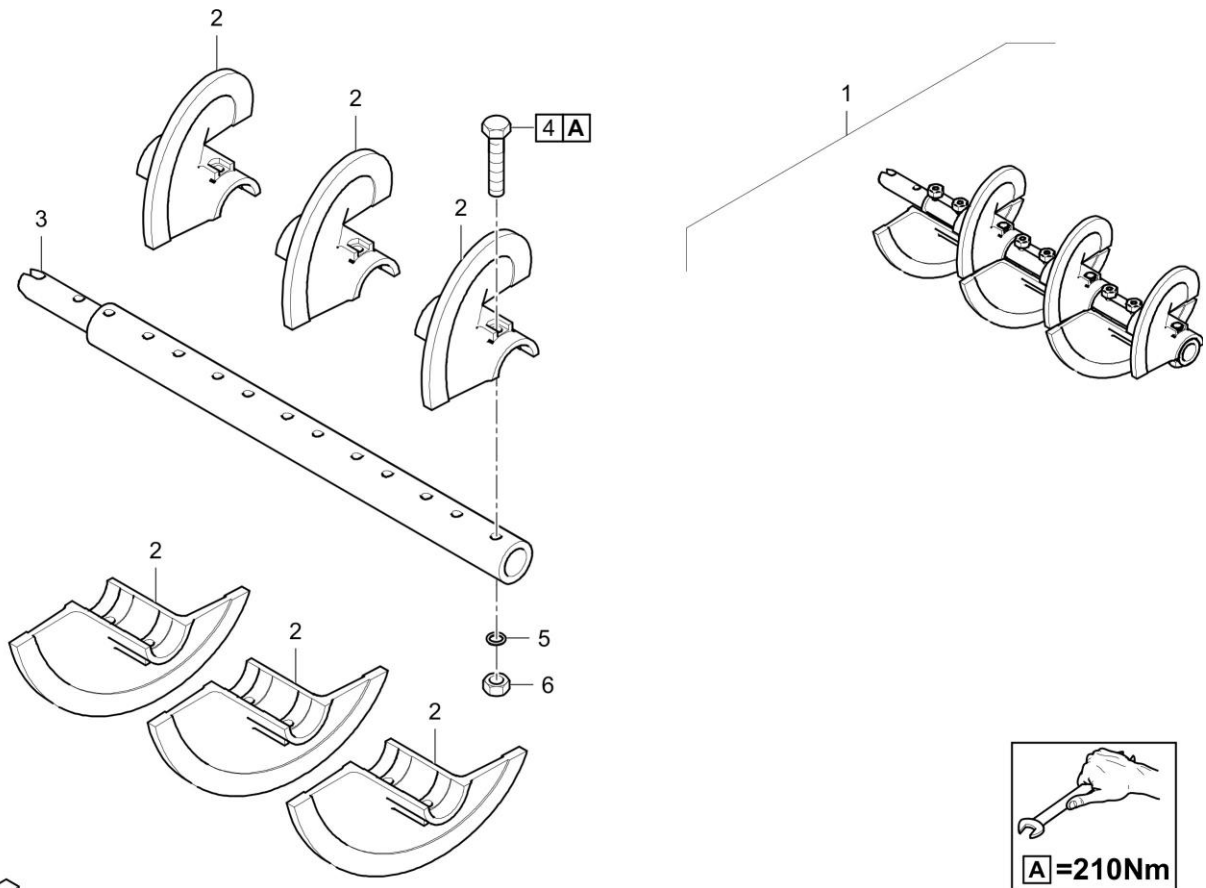
Mon Sep 06 04:58:49 UTC 2021

| Item | Part No. | Name | Qty | L | C | SN INFO |
|------|---------------|----------------------------|-----|---|---|---------|
| 12 | 40-4812026727 | Washer | 1 | | | |
| 13 | 40-0337001032 | Feather key | 1 | | | |
| 14 | 40-4749900652 | Circlip | 1 | | | |
| 16 | 40-0211132303 | Hex. socket screw | 5 | | | |
| 17 | 40-4749300090 | Grease nipple | 1 | | | |
| 17 | 40-D935555121 | Screwing | 1 | | | |
| 18 | 40-4738000726 | Wear shield | 1 | | | |
| 19 | 40-0216110038 | Countersunk screw | 1 | | | |
| 20 | 40-4812161897 | Paver Grease / 1 cartridge | 1 | | | |
| 21 | 40-4747400034 | Thread locking, 250ml | 1 | | | |

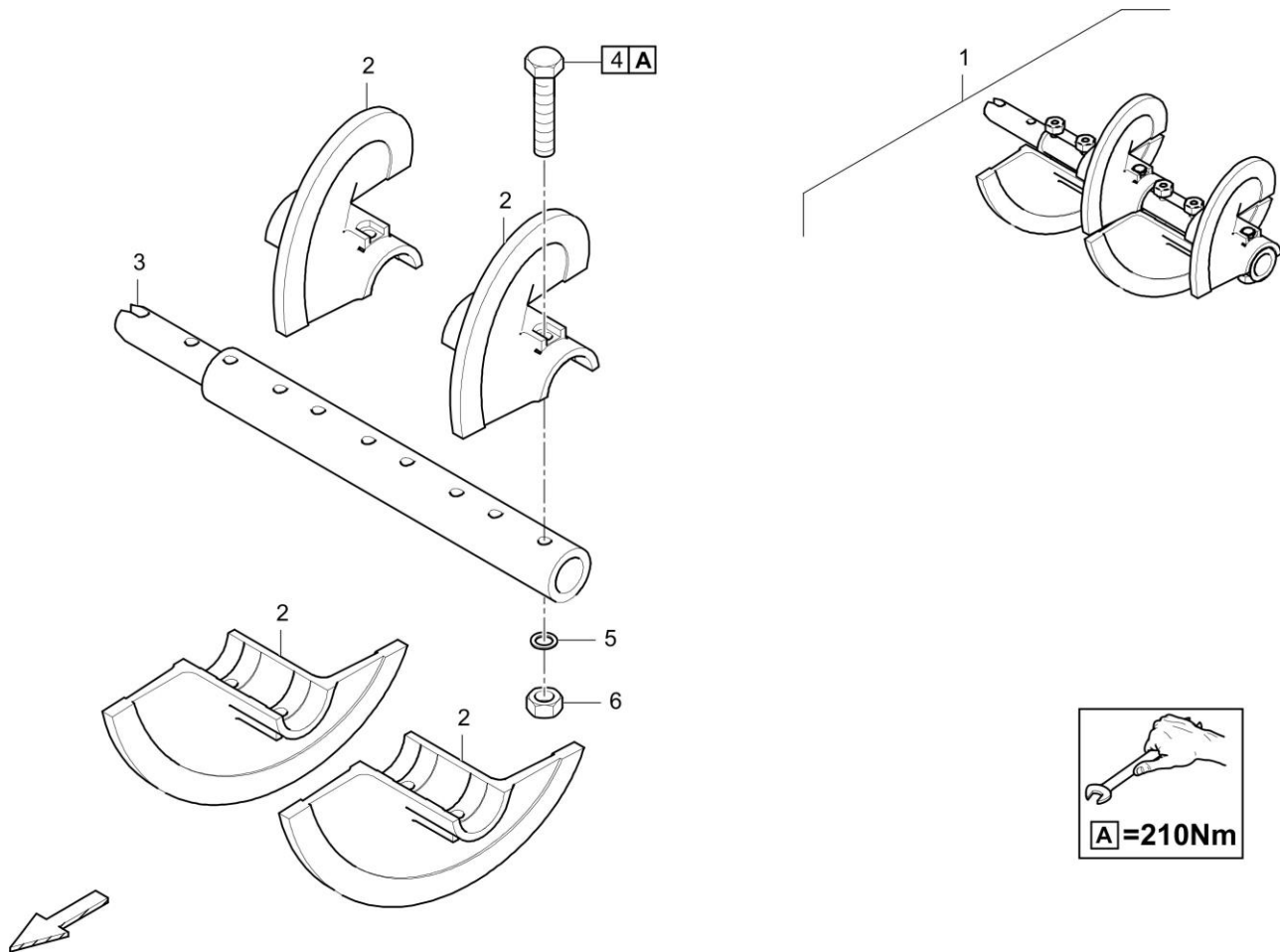
40-4812233041 Auger Ø380mm, 5.06m 40-4812233041 Auger Ø380mm, 5.06m

| Item | Part No. | Name | Qty | L | C | SN INFO |
|------|---------------|--------------------------------|-----|---|---|---------|
| 1 | 40-4812233020 | Auger Ø380mm, basic width | 1 | | | |
| 2 | 40-4812047195 | Extension part f. auger Ø380mm | 1 | | | |

Auger extension, l.h., L960mm 40-4720000138 Auger shaft extension assy. 960 mm l.h./lks.



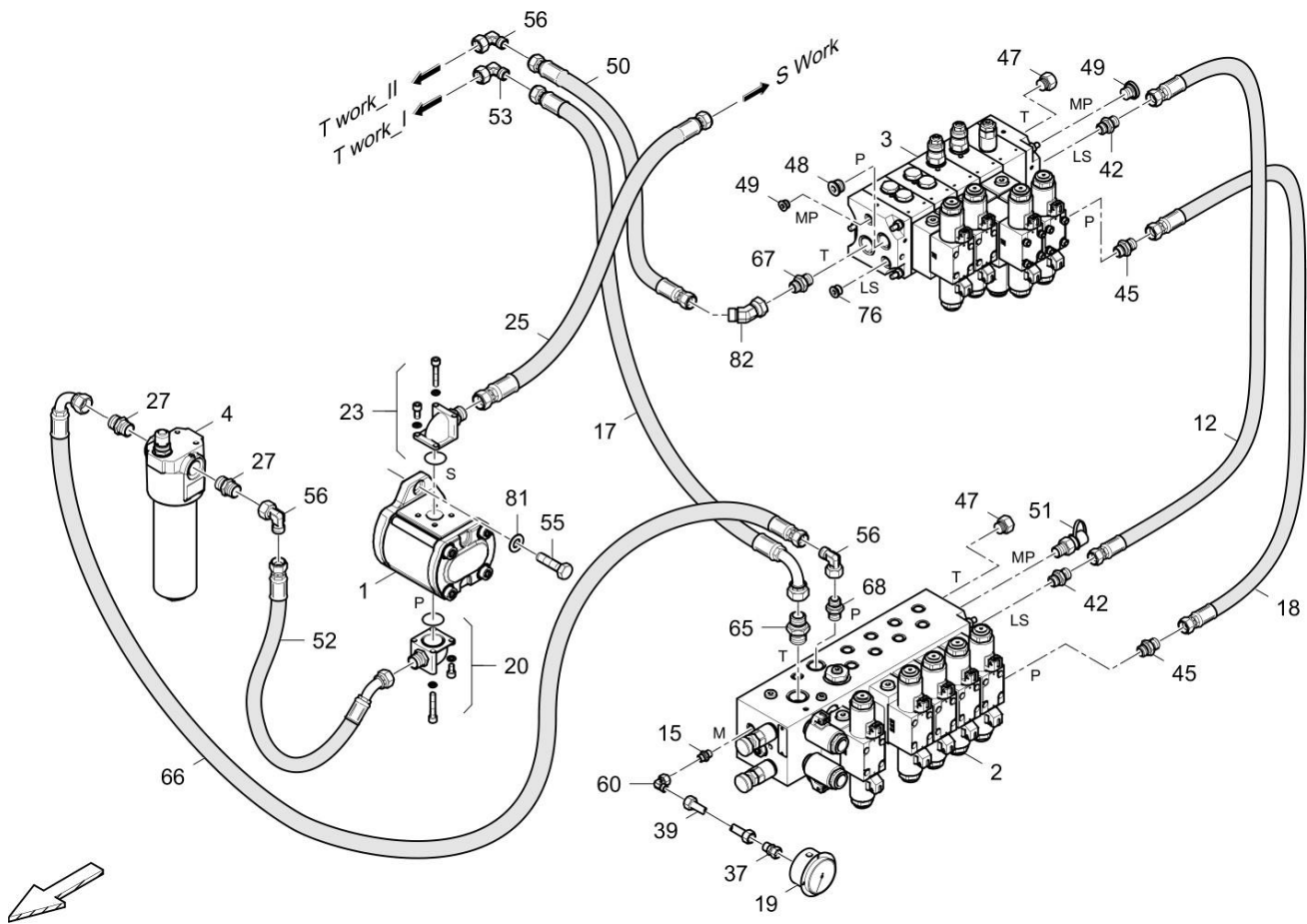
| Item | Part No. | Name | Qty | L | C | SN INFO |
|------|---------------|--|-----|---|---|---------|
| 1 | 40-4720000138 | Auger shaft extension assy. 960 mm l.h./lks. | 1 | | | |
| 2 | 40-4738000978 | Auger wing, l.h. | 6 | | | |
| 3 | 40-4730001172 | Auger extension 960 mm | 1 | | | |
| 4 | 40-0147110915 | Hexagon head screw | 12 | | | |
| 5 | 40-4749900008 | Washer | 12 | | | |
| 6 | 40-4749901556 | Nut | 12 | | | |

Auger shaft extension assy 640mm I.h. 40-4720000818 Auger shaft extension assy. 640 mm I.h./lks.

| Item | Part No. | Name | Qty | L | C | SN INFO |
|------|---------------|--|-----|---|---|---------|
| 1 | 40-4720000818 | Auger shaft extension assy. 640 mm I.h./lks. | 1 | | | |
| 2 | 40-4738000978 | Auger wing, I.h. | 4 | | | |
| 3 | 40-4730000803 | Auger extension 640 mm | 1 | | | |
| 4 | 40-0147110915 | Hexagon head screw | 8 | | | |
| 5 | 40-4749900008 | Washer | 8 | | | |
| 6 | 40-4749901556 | Nut | 8 | | | |

| Item | Part No. | Name | Qty | L | C | SN INFO |
|------|---------------|---------------------|-----|---|---|---------|
| 15 | 40-D961772668 | Test point | 6 | | | |
| 16 | 40-D961935125 | Male connector | 4 | | | |
| 17 | 40-D961935107 | Male connector | 2 | | | |
| 18 | 40-D961935210 | Male connector | 2 | | | |
| 19 | 40-D961935212 | Male connector | 2 | | | |
| 20 | 40-0147140303 | Hexagon bolt M12X40 | 2 | | | |
| 22 | 40-D939776117 | Lock washer | 2 | | | |

Work hydraulic 40-4812216685 Work hydraulic



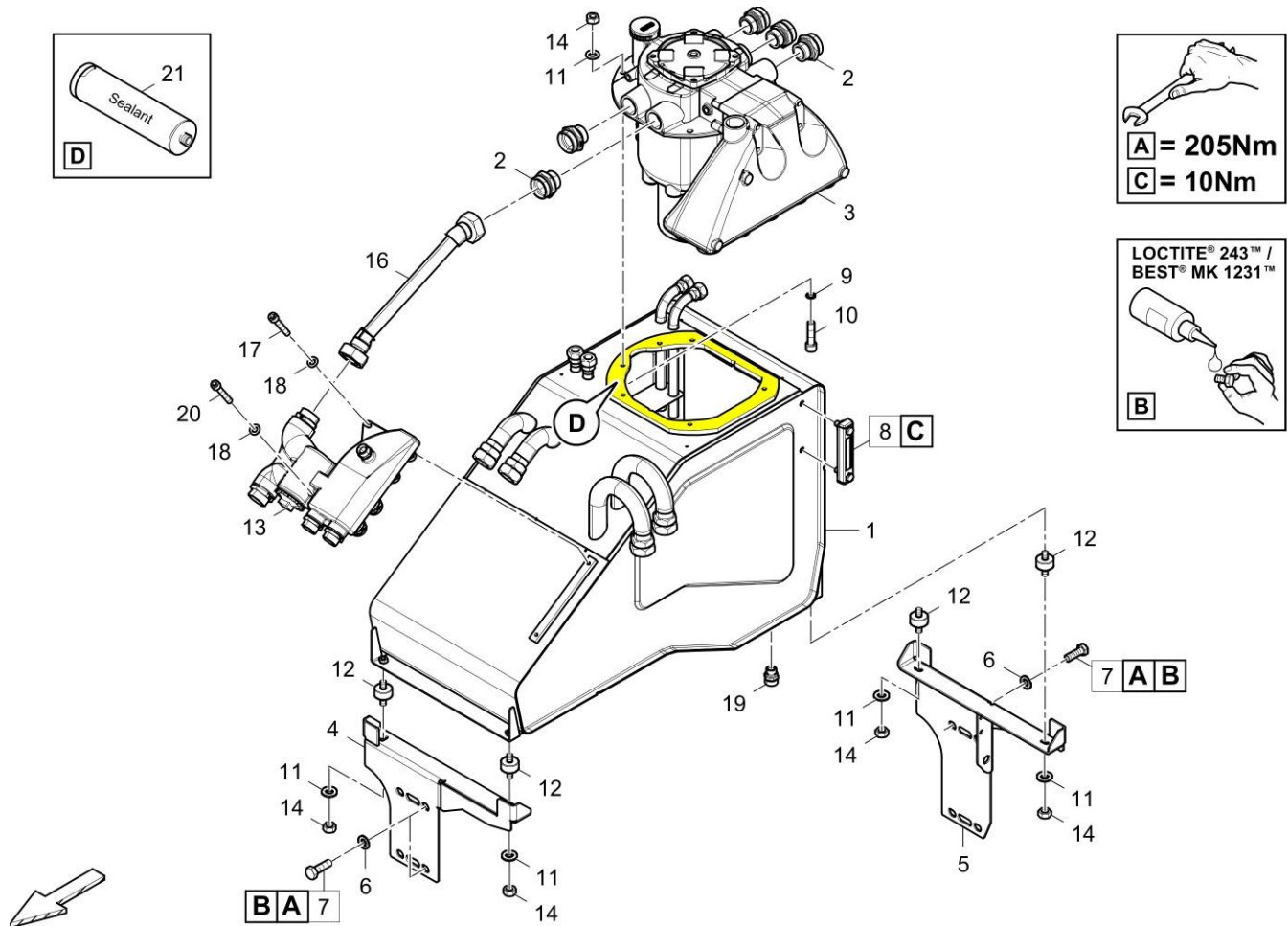
Refer to Parts Online for the most up to date information. The printed information might be outdated.

Mon Sep 06 04:59:10 UTC 2021

| Item | Part No. | Name | Qty | L | C | SN INFO |
|------|---------------|-------------------------|-----|---|---|---------|
| 23 | 40-4812201207 | Hydraulic block | 1 | | | |
| 23.1 | 40-D969174205 | Blanking plug | 1 | | | |
| 23.2 | 40-4812201151 | O-ring | 3 | | | |
| 24 | 40-4812201208 | Hydraulic block | 1 | | | |
| 26 | 40-4812201182 | Pressure relief valve | 1 | | | |
| 26.1 | 40-4812201163 | Sealing kit | 1 | | | |
| 31 | 40-4812201151 | O-ring | 1 | | | |
| 33 | 40-4812202448 | Hydraulic block | 1 | | | |
| 45 | 40-4812072988 | Counter balance valve | 1 | | | |
| 46 | 40-4812072989 | Directional spool valve | 1 | | | |
| 46.1 | 40-4812201178 | Screw kit | 1 | | | |
| 46.2 | 40-4812201175 | Sealing kit | 1 | | | |
| 46.3 | 40-4812201180 | Coil | 1 | | | |
| 47 | 40-4812201580 | Nozzle | 1 | | | |
| 47 | 40-4812073102 | O-ring | 1 | | | |
| 48 | 40-4812072987 | Nozzle | 1 | | | |

Referenced Pages

40-4812075451 Control block.....295

Hydraulic tank, cpl. 40-4812225757 Hydraulic tank, cpl.

| Item | Part No. | Name | Qty | L | C | SN INFO |
|------|---------------|-------------------------|-----|---|---|---------|
| 1 | 40-4812225231 | Hydraulic tank | 1 | | | |
| 2 | 40-4812028191 | Male connector | 5 | | | |
| 3 | 40-4812009435 | Return suction filter | 1 | | | |
| 4 | 40-4812033321 | Retainer | 1 | | | |
| 5 | 40-4812033311 | Retainer | 1 | | | |
| 6 | 40-0333310049 | Lock washer | 8 | | | |
| 7 | 40-0147147603 | Screw M16X35 | 8 | | | |
| 8 | 40-4812009176 | Oil level gauge | 1 | | | |
| 9 | 40-D932702030 | Seal ring | 6 | | | |
| 10 | 40-0211136503 | Screw | 6 | | | |
| 11 | 40-0333310051 | Lock washer | 10 | | | |
| 12 | 40-4812043942 | Rubber buffer | 4 | | | |
| 13 | 40-4812076152 | Collector - distributor | 1 | | | |
| 13.1 | 40-4812076153 | Thermostat valve | 1 | | | |
| 13.2 | 40-4812007480 | Cover | 1 | | | |
| 13.3 | 40-4812007479 | O-ring | 1 | | | |

Refer to Parts Online for the most up to date information. The printed information might be outdated.

Mon Sep 06 04:59:18 UTC 2021

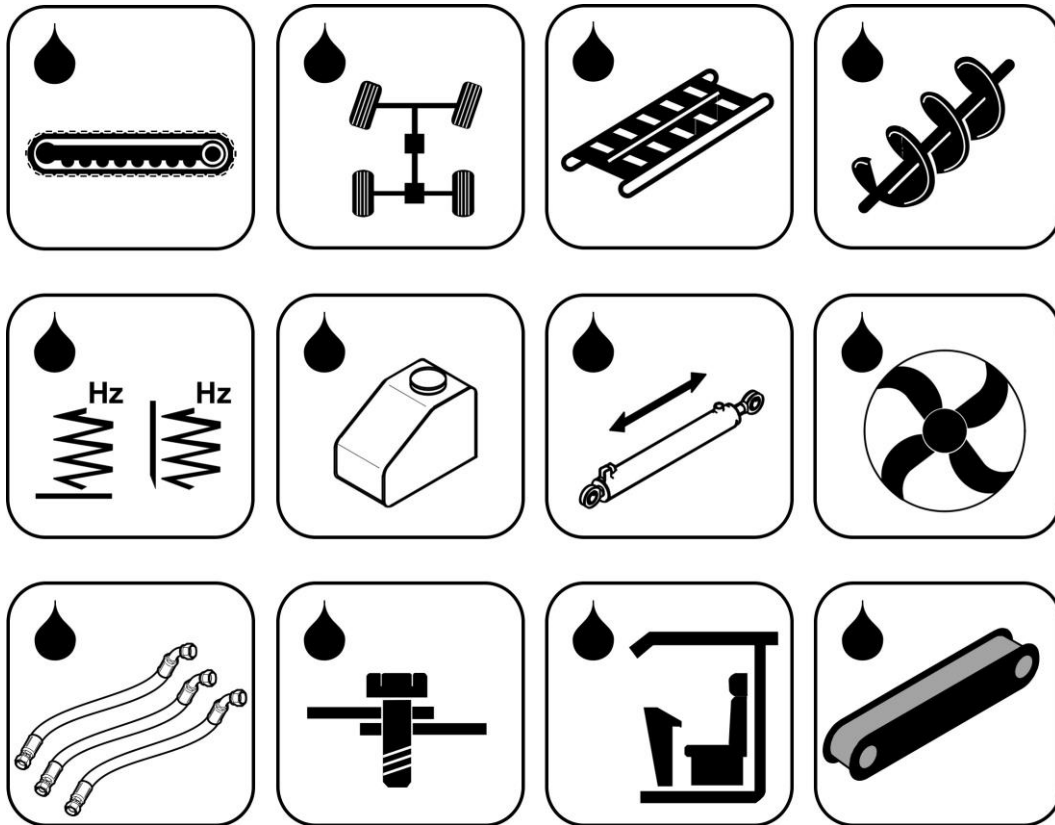
CLICK HERE TO **DOWNLOAD** THE COMPLETE MANUAL

- Thank you very much for reading the preview of the manual.
- You can download the complete manual from: www.heydownloads.com by clicking the link below

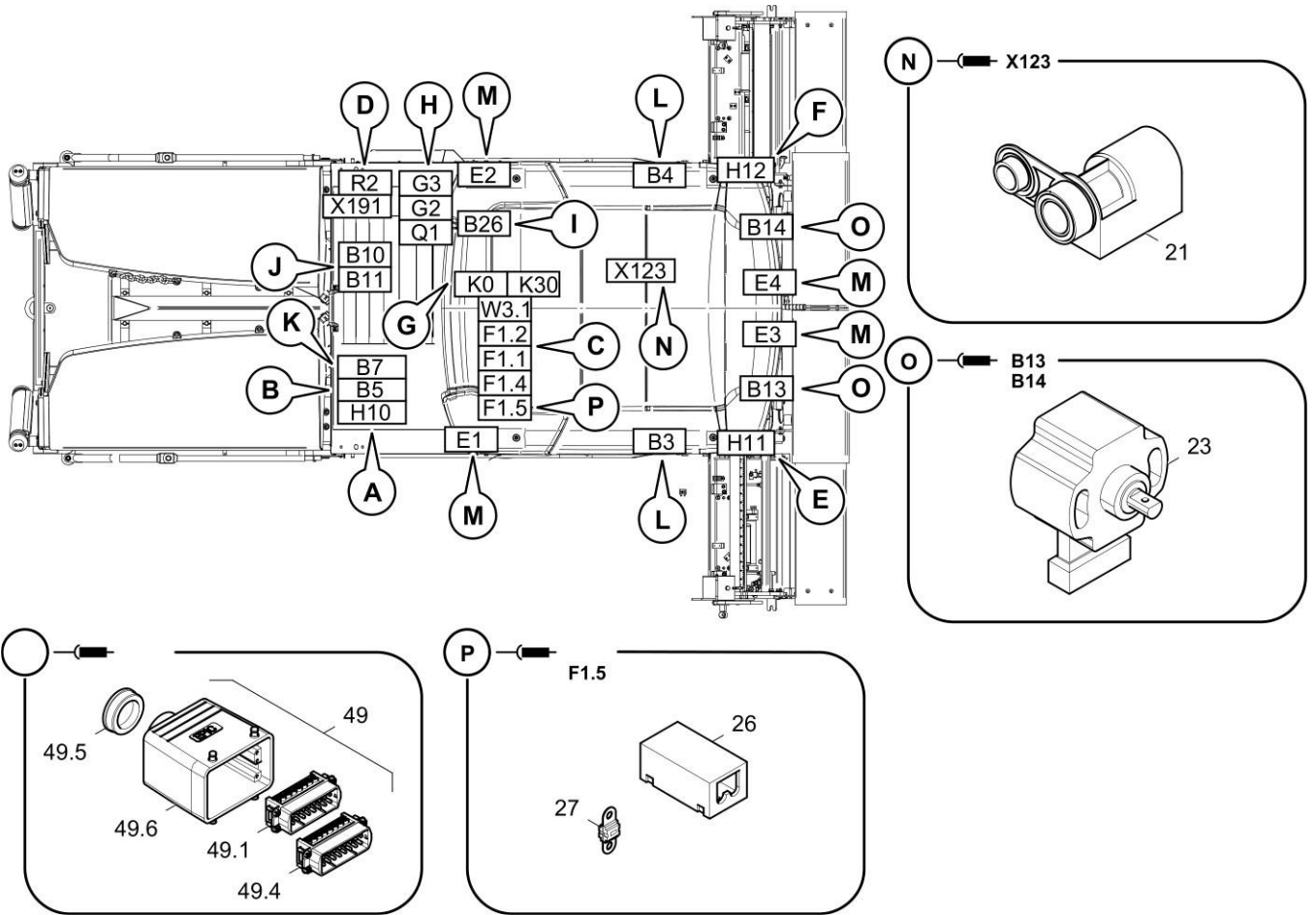


- Please note: If there is no response to CLICKING the link, please download this PDF first and then click on it.

CLICK HERE TO **DOWNLOAD** THE COMPLETE MANUAL

40-4812201895 INTERFACE HOSEPACK 40-4812201895 Hose packet

| Item | Part No. | Name | Qty | L | C | SN INFO |
|------|---------------|--------------------------------|-----|---|---|---------|
| 1 | 40-4812201900 | Screed movement, Hydraulic | | | | |
| 2 | 40-4812201902 | Tamper vibration CC, Hydraulic | | | | |

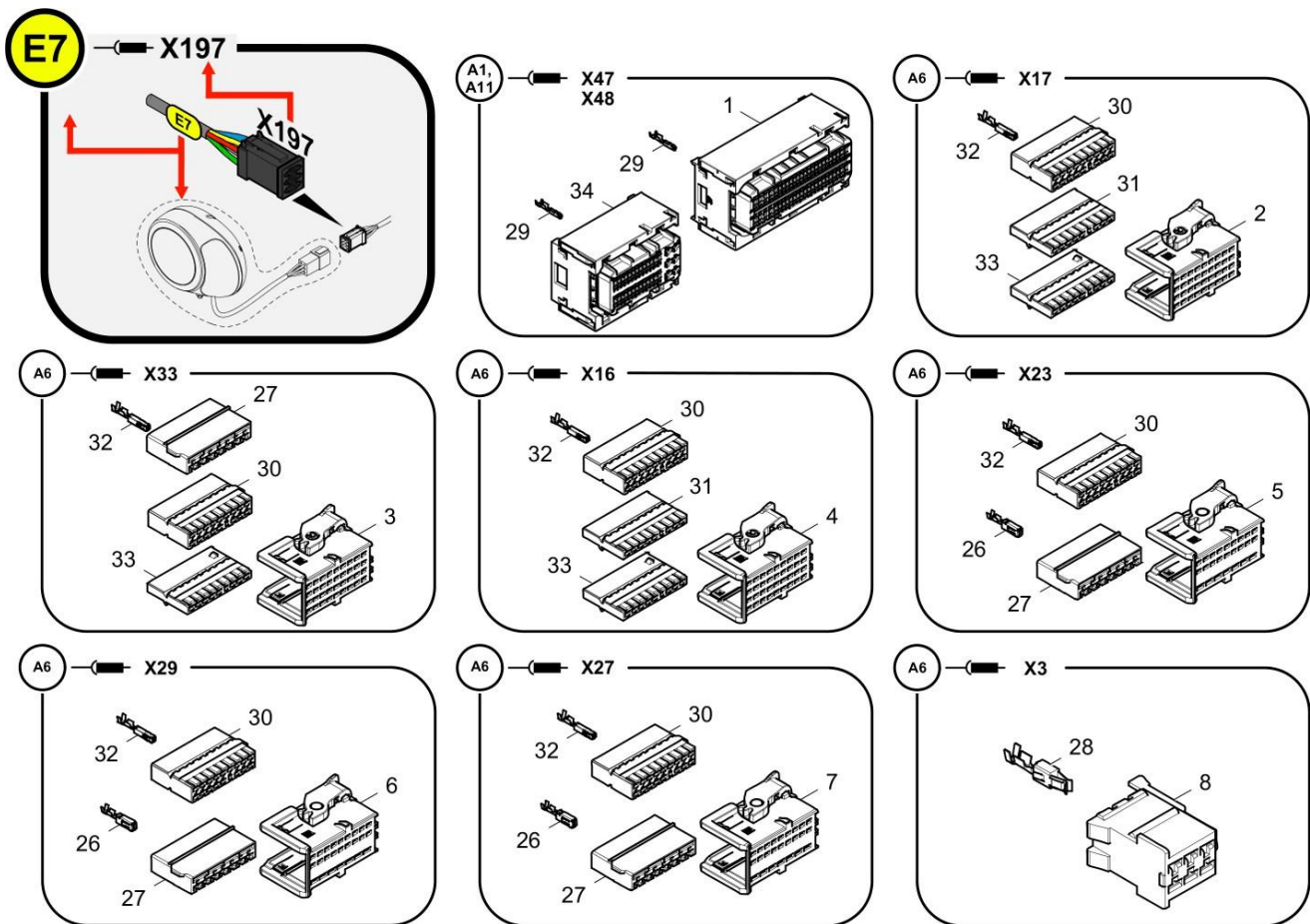


| Item | Part No. | Name | Qty | L | C | SN INFO |
|------|---------------|---------------------------|-----|---|---|---------|
| 1 | 40-4700999014 | Horn | 1 | | | |
| 2 | 40-4812010133 | Temperature sensor | 1 | | | |
| 3 | 40-D977459519 | Bridge, 2-fold | 2 | | | |
| 4 | 40-D977330126 | Plug housing | 1 | | | |
| 5 | 40-D977453085 | Fuse | 2 | | | |
| 6 | 40-D977808111 | Warning signal lamp left | 1 | | | |
| 7 | 40-D977808121 | Warning signal lamp right | 1 | | | |
| 8 | 40-4700792310 | Relay 120A | 2 | | | |
| 9 | 40-4700903640 | Battery disconnecter | 1 | | | |
| 9.1 | 40-4700903641 | Battery key | 1 | | | |
| 10 | 40-D977453081 | Fuse | 1 | | | |
| 11 | 40-4812007014 | Sensor | 1 | | | |
| 12 | | Battery | 1 | | | |
| 13 | 40-4812033471 | Pressure switch | 1 | | | |
| 14 | 40-4812032565 | Coolant level sensor | 1 | | | |
| 15 | 40-4812039057 | Pressure switch | 1 | | | |
| 16 | 40-4812034481 | Speed sensor | 1 | | | |

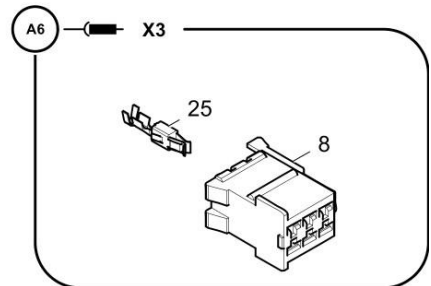
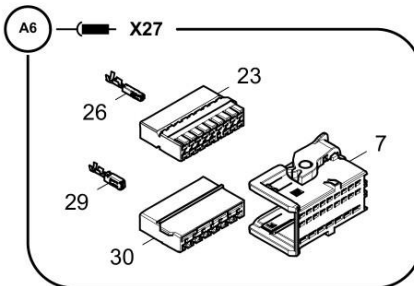
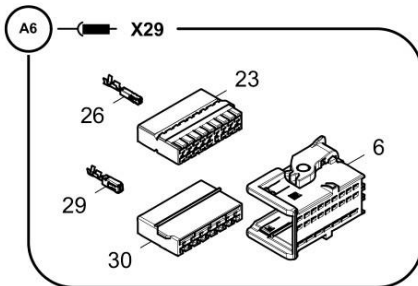
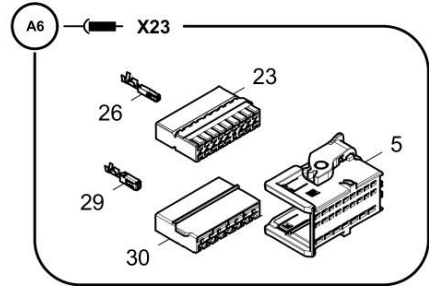
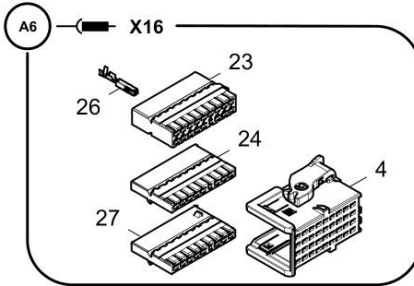
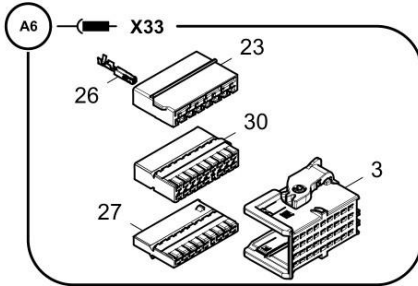
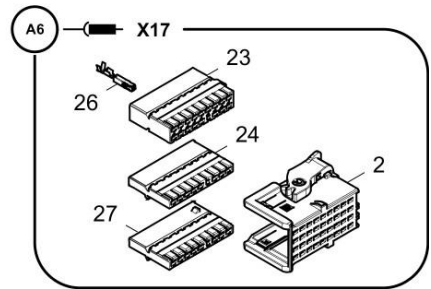
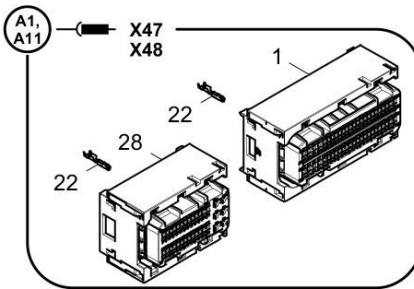
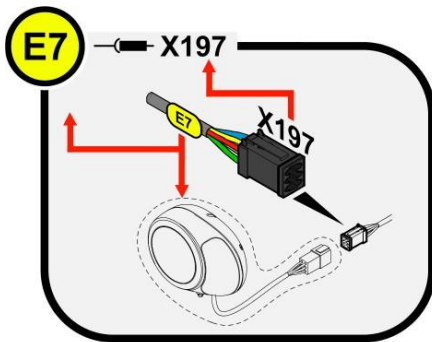
Refer to Parts Online for the most up to date information. The printed information might be outdated.

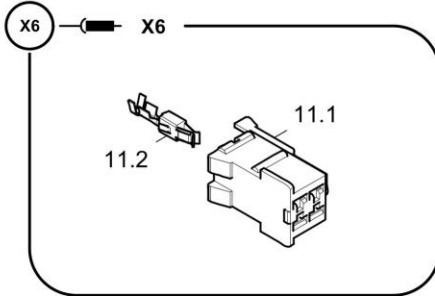
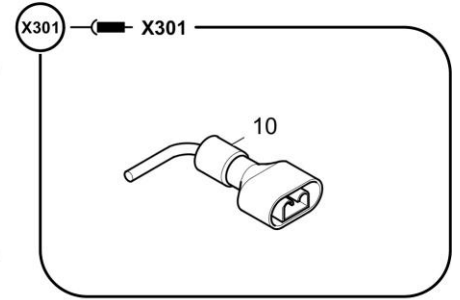
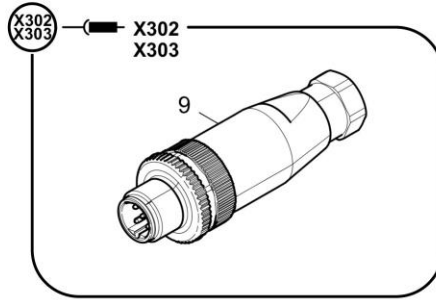
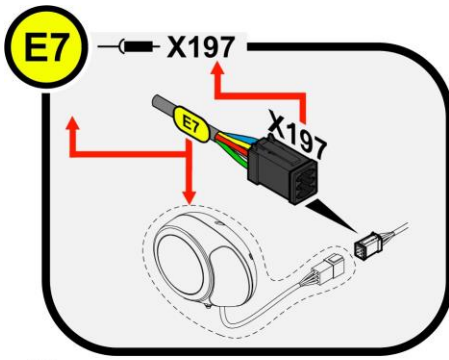
Mon Sep 06 04:59:27 UTC 2021

Cable 40-4812217045 Cable W20



Cable 40-4812077050 Cable W20





| Item | Part No. | Name | Qty | L | C | SN INFO |
|------|---------------|---------------------|-----|---|---|---------|
| 1 | 40-4812016936 | Socket shell | 1 | | | |
| 1.1 | 40-4812016179 | Socket shell | 1 | | | |
| 1.2 | 40-4812016181 | Socket contact | 12 | | | |
| 1.3 | 40-4812016186 | Dummy plug | 20 | | | |
| 2 | 40-4812035915 | Socket | 1 | | | |
| 2.1 | 40-4812029309 | Connector housing | 1 | | | |
| 2.2 | 40-4812029310 | Plug contact | 6 | | | |
| 3 | 40-4812035503 | Power-timer housing | 1 | | | |
| 3.1 | 40-4812029619 | Power-timer housing | 1 | | | |
| 3.2 | 40-4812030987 | Female contact | 21 | | | |
| 4 | 40-4812035607 | Socket shell | 1 | | | |
| 4.1 | 40-D977479755 | Socket shell | 1 | | | |
| 4.2 | 40-4812028609 | Wedge lock | 1 | | | |
| 4.4 | 40-D977466143 | Female contact | 6 | | | |
| 5 | 40-4812035604 | Socket | 1 | | | |
| 5.1 | 40-4812028393 | Socket | 1 | | | |
| 5.2 | 40-4812028395 | Female contact | 6 | | | |

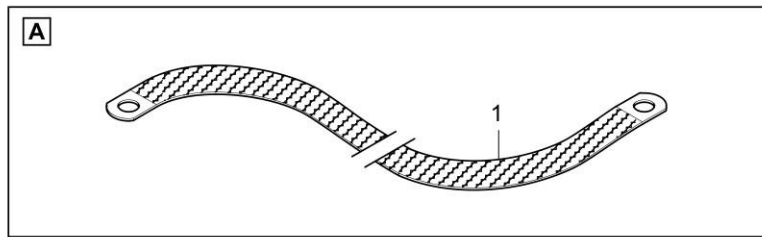
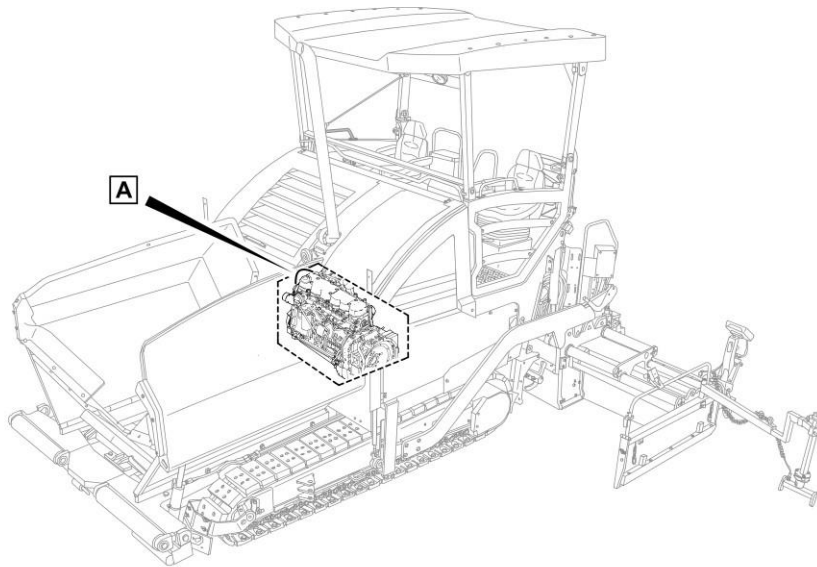
Refer to Parts Online for the most up to date information. The printed information might be outdated.

Mon Sep 06 04:59:38 UTC 2021

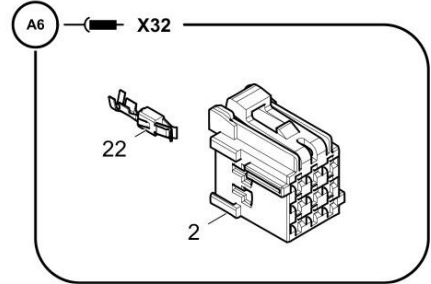
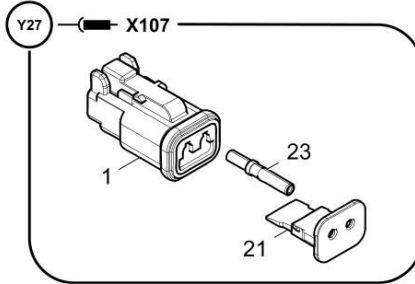
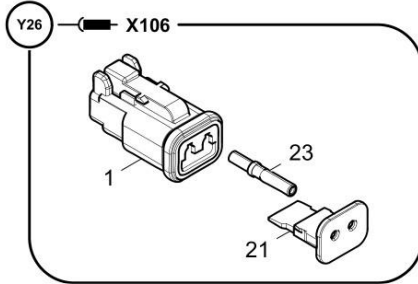
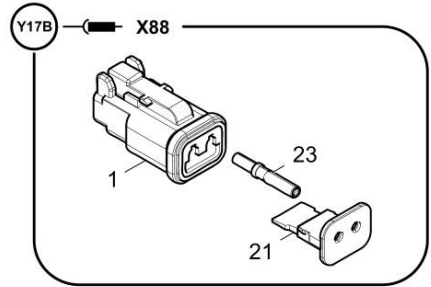
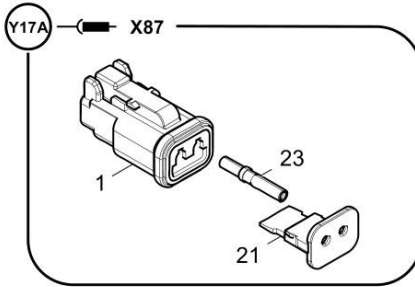
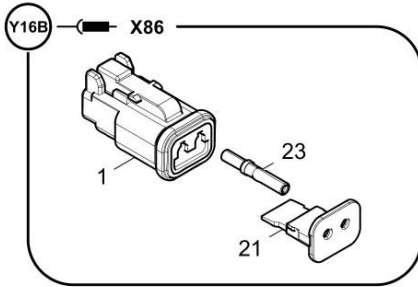
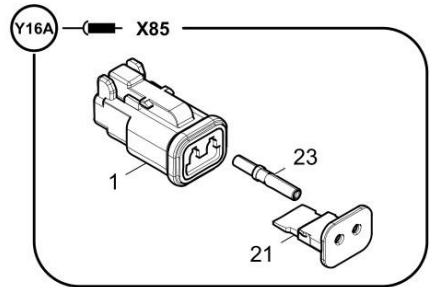
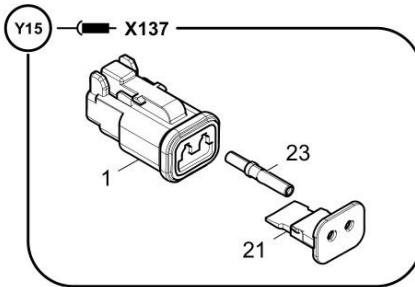
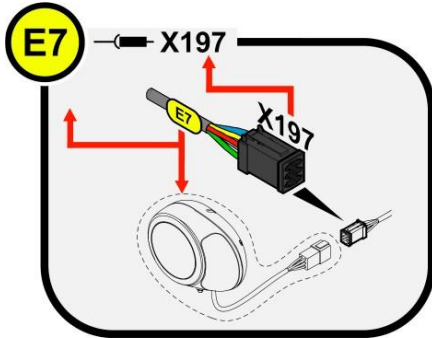
Referenced Pages

40-4812074483 Fixing a. montage parts372

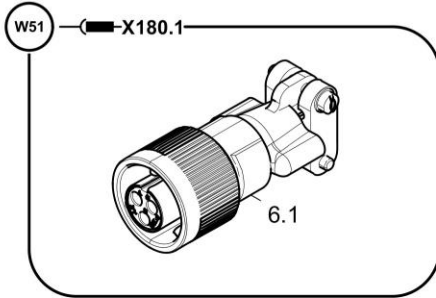
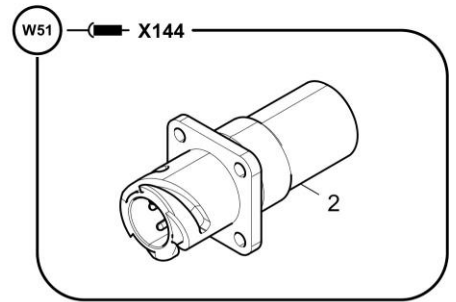
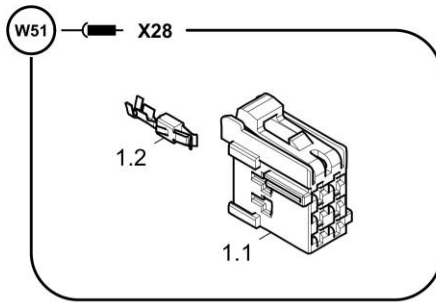
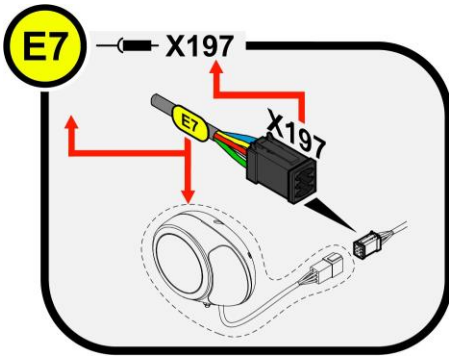
Cable 40-D977436121 Ground strap



| Item | Part No. | Name | Qty | L | C | SN INFO |
|------|---------------|--------------|-----|---|---|---------|
| 1 | 40-D977436121 | Ground strap | 1 | | | |

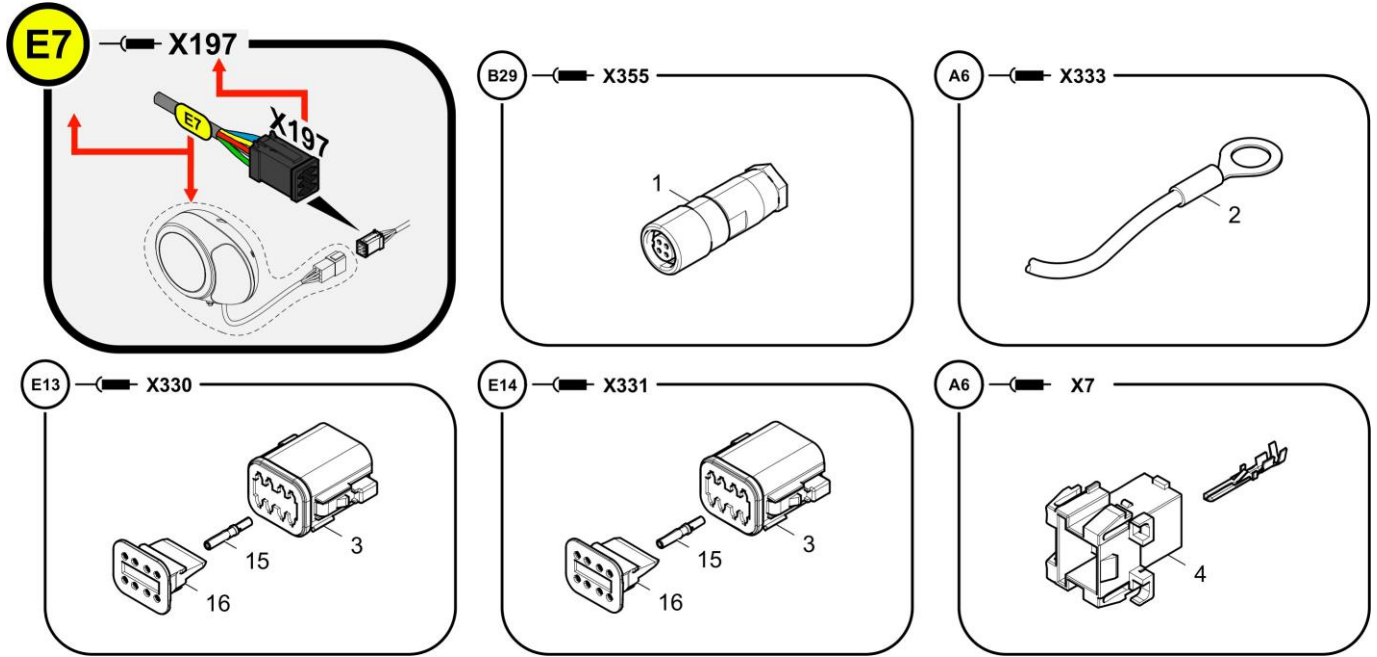


Cable 40-4812024344 Cable W51



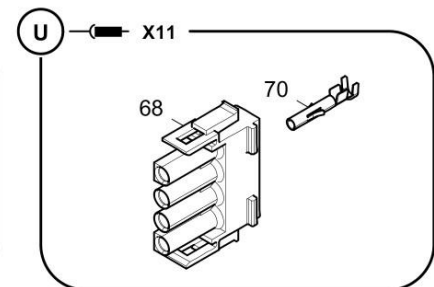
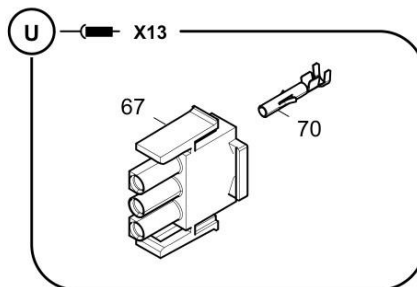
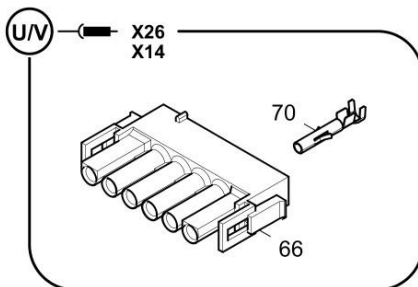
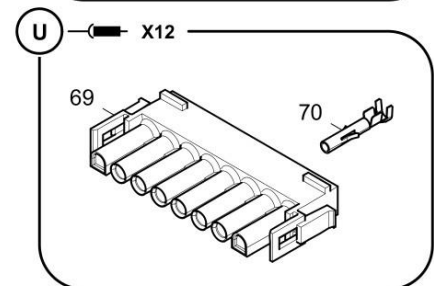
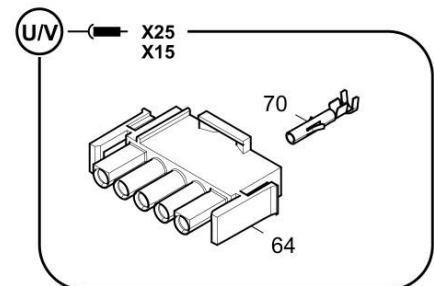
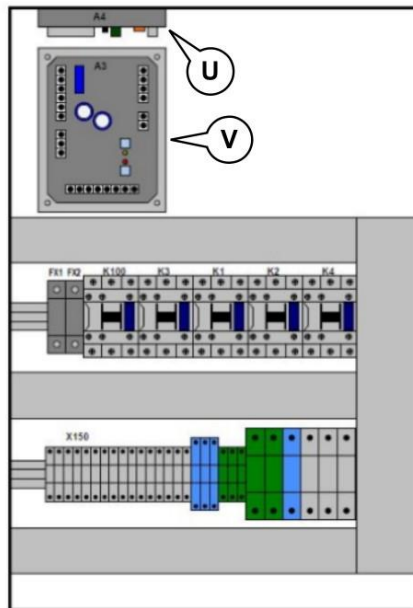
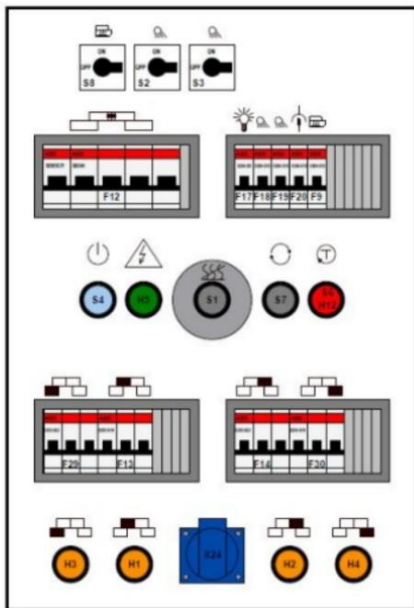
| Item | Part No. | Name | Qty | L | C | SN INFO |
|------|---------------|---------------------|-----|---|---|---------|
| 1 | 40-4812034789 | Power-timer housing | 1 | | | |
| 1.1 | 40-4812029599 | Power-timer housing | 1 | | | |
| 1.2 | 40-4812030987 | Female contact | 3 | | | |
| 2 | 40-4812030919 | Plug | 1 | | | |
| 6 | 40-4812033540 | Bridge plug | 1 | | | |
| 6.1 | 40-4812073682 | Plug - electrical | 1 | | | |

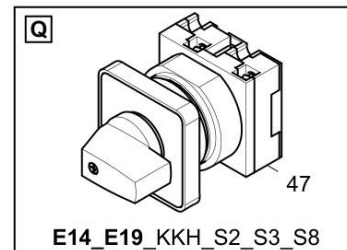
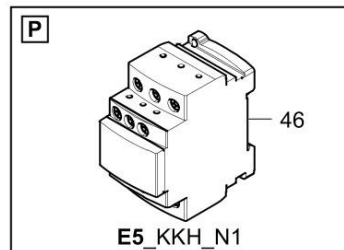
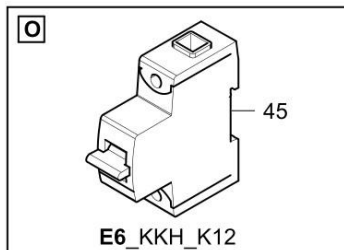
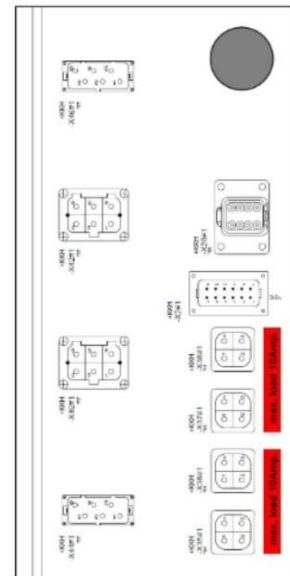
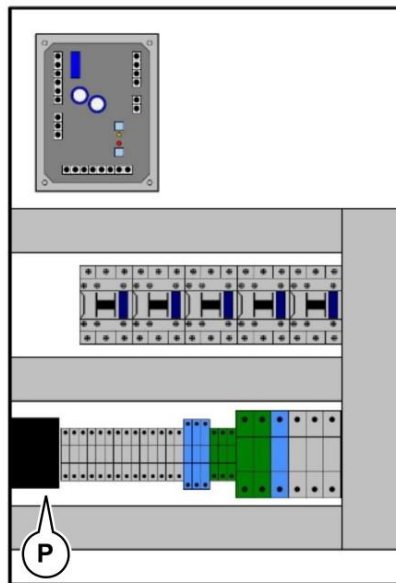
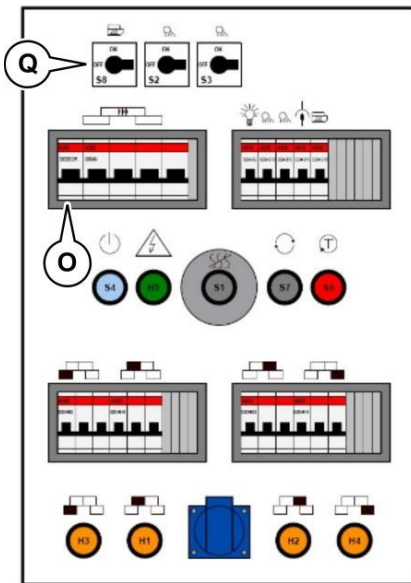
Cable 40-4812024784 Cable W67

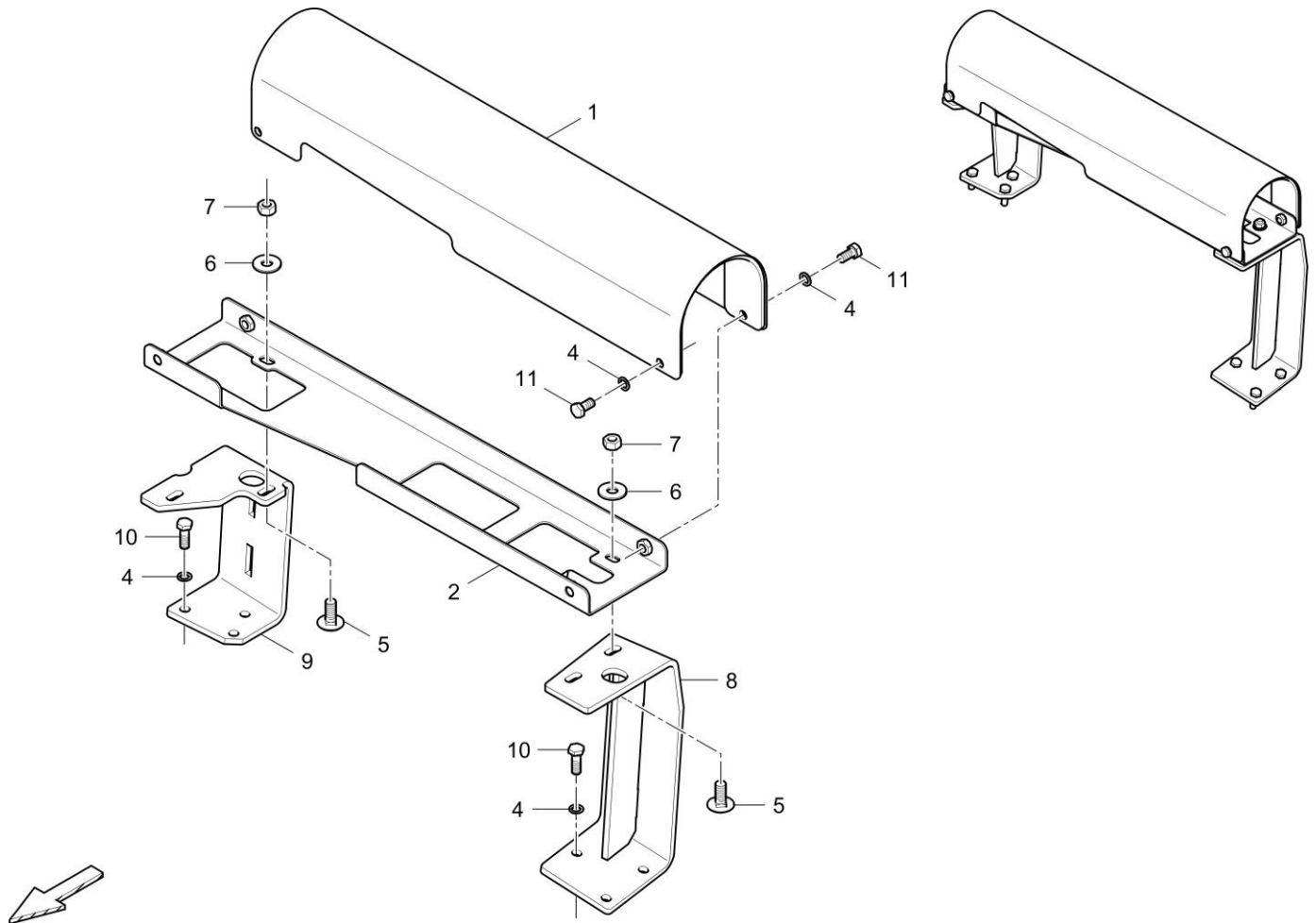


| Item | Part No. | Name | Qty | L | C | SN INFO |
|------|---------------|----------------|-----|---|---|---------|
| 1 | 40-D977479754 | Wire box | 1 | | | |
| 2 | 40-4812007361 | Cable lug | 1 | | | |
| 3 | 40-4812024789 | Socket shell | 2 | | | |
| 4 | 40-4812029308 | Socket | 1 | | | |
| 15 | 40-D977466144 | Socket contact | 15 | | | |
| 16 | 40-4812030145 | Key | 2 | | | |

| Item | Part No. | Name | Qty | L | C | SN INFO |
|------|---------------|----------------|-----|---|---|---------|
| 55 | 40-4812217637 | Protection cap | 1 | | | |





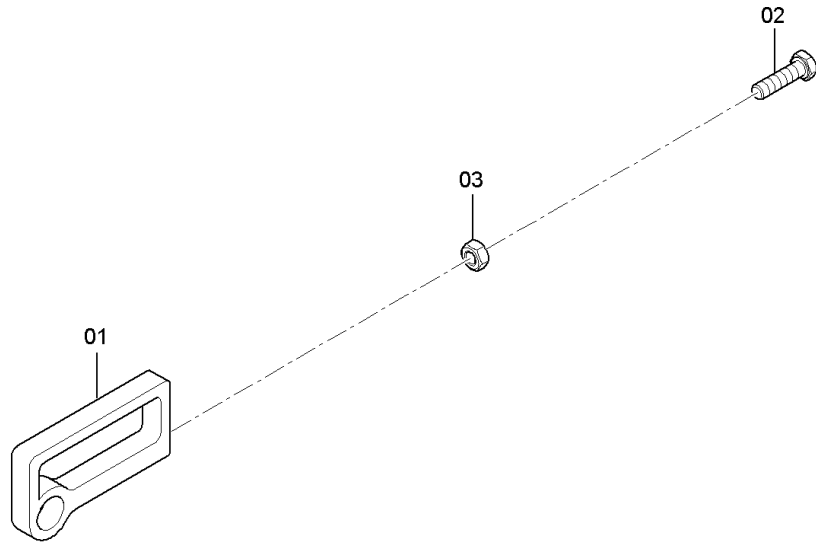
Universal joint protection 40-4812015882 Universal joint protection

| Item | Part No. | Name | Qty | L | C | SN INFO |
|------|---------------|----------------------------------|-----|---|---|---------|
| 1 | 40-4812045963 | Guide plate | 1 | | | |
| 2 | 40-4812231551 | Holding device | 1 | | | |
| 4 | 40-0333310024 | Washer | 10 | | | |
| 5 | 40-0226991536 | Flat head screw | 4 | | | |
| 6 | 40-4812027063 | Washer | 4 | | | |
| 7 | 40-0266211100 | Nut hexagon | 4 | | | |
| 8 | 40-4812231544 | Universal joint protection, l.h. | 1 | | | |
| 9 | 40-4812231536 | Universal joint protection, r.h. | 1 | | | |
| 10 | 40-0147136303 | Screw | 6 | | | |
| 11 | 40-0147136003 | Screw cap | 4 | | | |

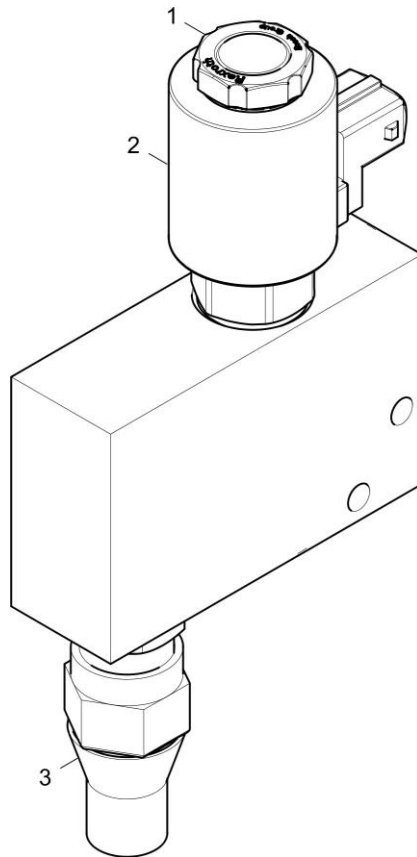
Refer to Parts Online for the most up to date information. The printed information might be outdated.

Mon Sep 06 05:00:15 UTC 2021

| Item | Part No. | Name | Qty | L | C | SN INFO |
|------|---------------|---------------------|-----|---|---|---------|
| 19 | 40-D935555258 | O-ring | 2 | | | |
| 20 | 40-4812038714 | Intermediate bottom | 1 | | | |

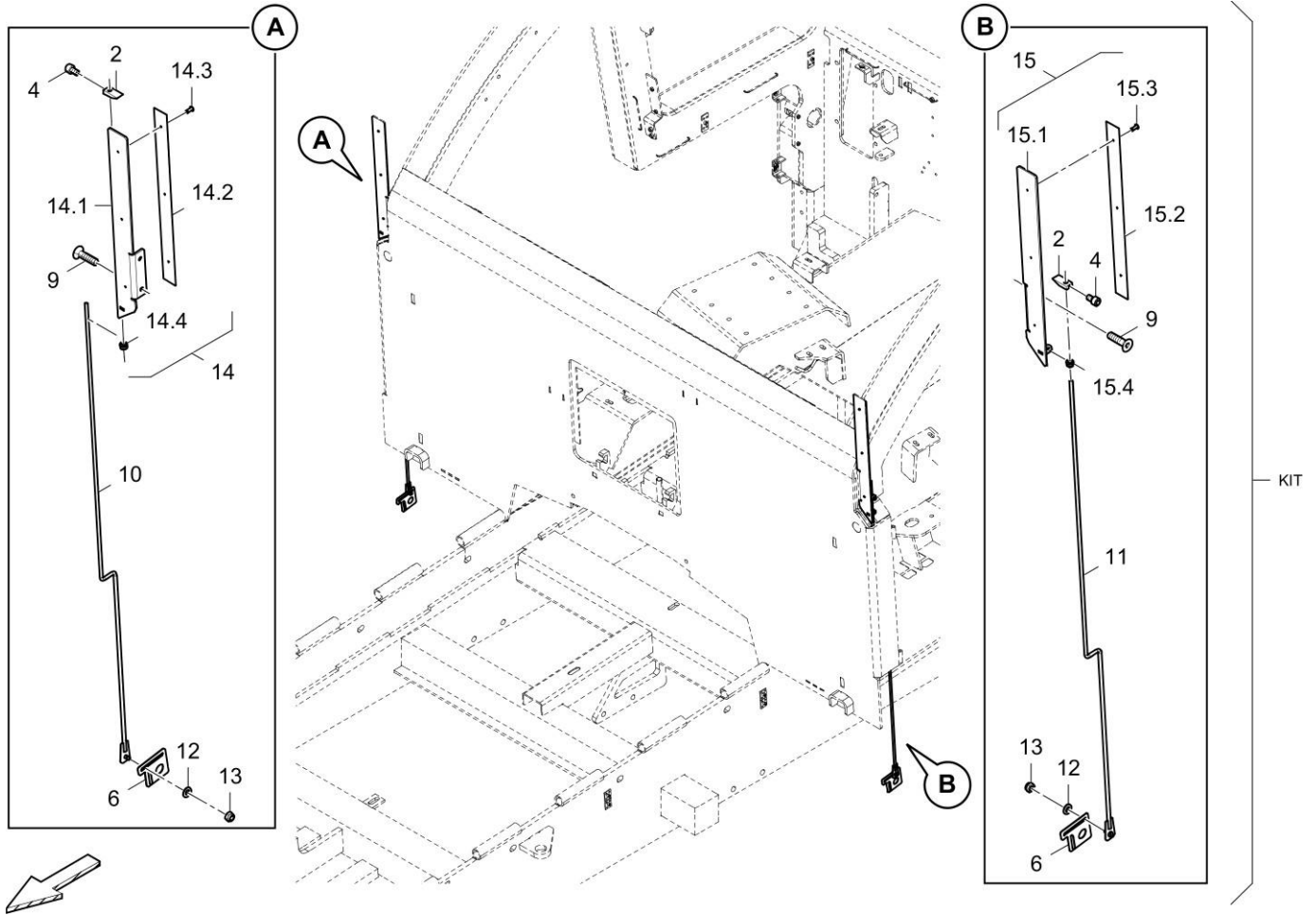
Locking lever 40-4812043349 Locking laver

| Item | Part No. | Name | Qty | L | C | SN INFO |
|------|---------------|---------------|-----|---|---|---------|
| 1 | 40-4812043779 | Locking laver | 1 | | | |
| 2 | 40-0147132603 | Screw | 1 | | | |
| 3 | 40-0266211000 | Hexagon nut | 1 | | | |

Pressure reduction valve 40-4812215477 Pressure relief valve

| Item | Part No. | Name | Qty | L | C | SN INFO |
|------|---------------|--------------------------|-----|---|---|---------|
| 1 | 40-4812202543 | 2/2 way valve | 1 | | | |
| 1.1 | 40-4812215450 | Gasket kit | 1 | | | |
| 1.2 | 40-4812216007 | Gasket kit, coil | 1 | | | |
| 2 | 40-4812019941 | Coil | 1 | | | |
| 3 | 40-4812014746 | Pressure reduction valve | 1 | | | |

40-4812063704 Indicator thickness, top 40-4812063704 Indicator thickness, top

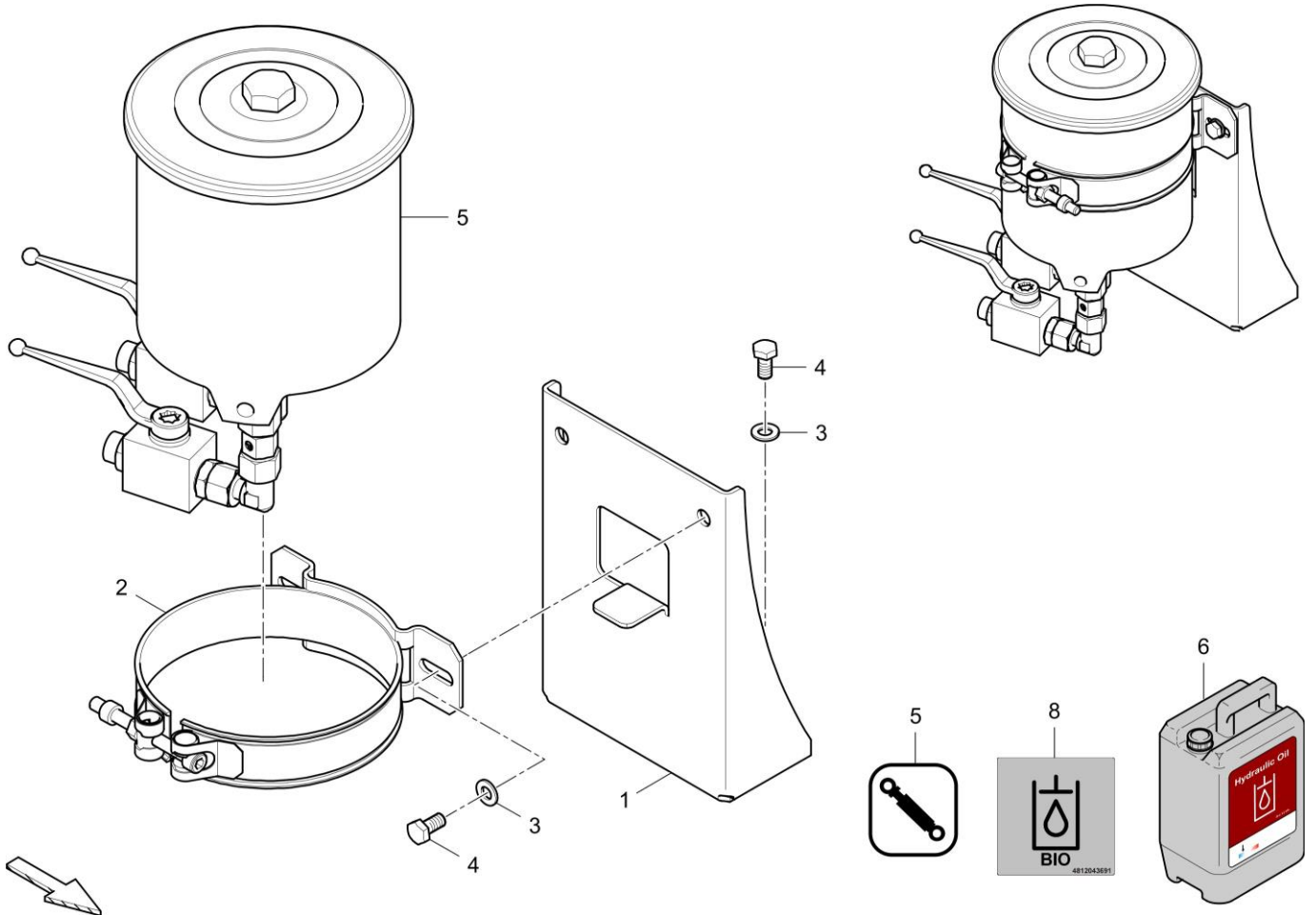


| Item | Part No. | Name | Qty | L | C | SN INFO |
|------|---------------|--------------------------|-----|---|---|---------|
| KIT | 40-4812063704 | Indicator thickness, top | | | | |
| 2 | 40-4812032209 | Pointer | 2 | | | |
| 4 | 40-0211124303 | Screw M6x10 ISO 4762 | 2 | | | |
| 6 | 40-4812031161 | Retainer | 2 | | | |
| 9 | 40-0216110042 | Countersunk screw | 4 | | | |
| 10 | 40-4812063698 | Guide, l.h. | 1 | | | |
| 11 | 40-4812063699 | Guide, r.h. | 1 | | | |
| 12 | 40-0301232100 | Plain washer | 2 | | | |
| 13 | 40-0291118507 | Nut | 2 | | | |
| 14 | 40-4812076464 | Scale holder, r.h. | 1 | | | |
| 14.1 | 40-4812227338 | Scale holder r.h. | 1 | | | |
| 14.2 | 40-4812216180 | Scale | 1 | | | |
| 14.3 | 40-4812026010 | Blind rivet | 3 | | | |
| 14.4 | 40-4812031296 | Cable bushing | 1 | | | |
| 15 | 40-4812076465 | Scale holder, l.h. | 1 | | | |
| 15.1 | 40-4812227146 | Scale holder l.h. | 1 | | | |

Refer to Parts Online for the most up to date information. The printed information might be outdated.

Mon Sep 06 05:00:27 UTC 2021

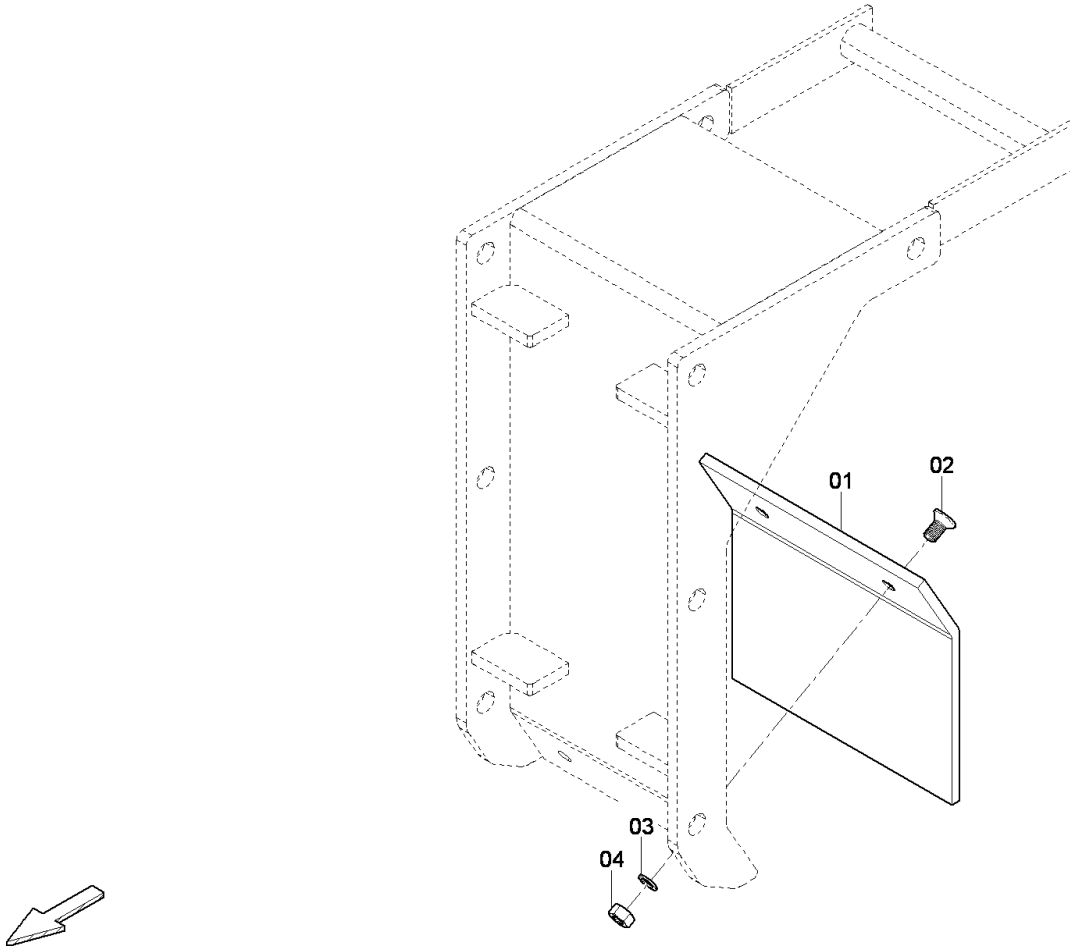
40-4812061575 Bio Hydraulic oil 40-4812061575 Bio Hydraulic oil



| Item | Part No. | Name | Qty | L | C | SN INFO |
|------|---------------|--------------------------------|-----|---|---|---------|
| 1 | 40-4812014191 | Retainer | 1 | | | |
| 2 | 40-4812217916 | Clamp | 1 | | | |
| 3 | 40-0301233500 | Plain washer | 4 | | | |
| 4 | 40-0147132203 | Hexagon head screw | 4 | | | |
| 5 | 40-4812201383 | Hydraulic, partial flow filter | 1 | | | |
| 6 | 40-4812161872 | Hydraulic 120 / 20 ltr. | 1 | | | |
| 6 | 40-4812161873 | Hydraulic 120 / 209 ltr. | 1 | | | |
| 8 | 40-4812043691 | Sticker | 1 | | | |

Refer to Parts Online for the most up to date information. The printed information might be outdated.

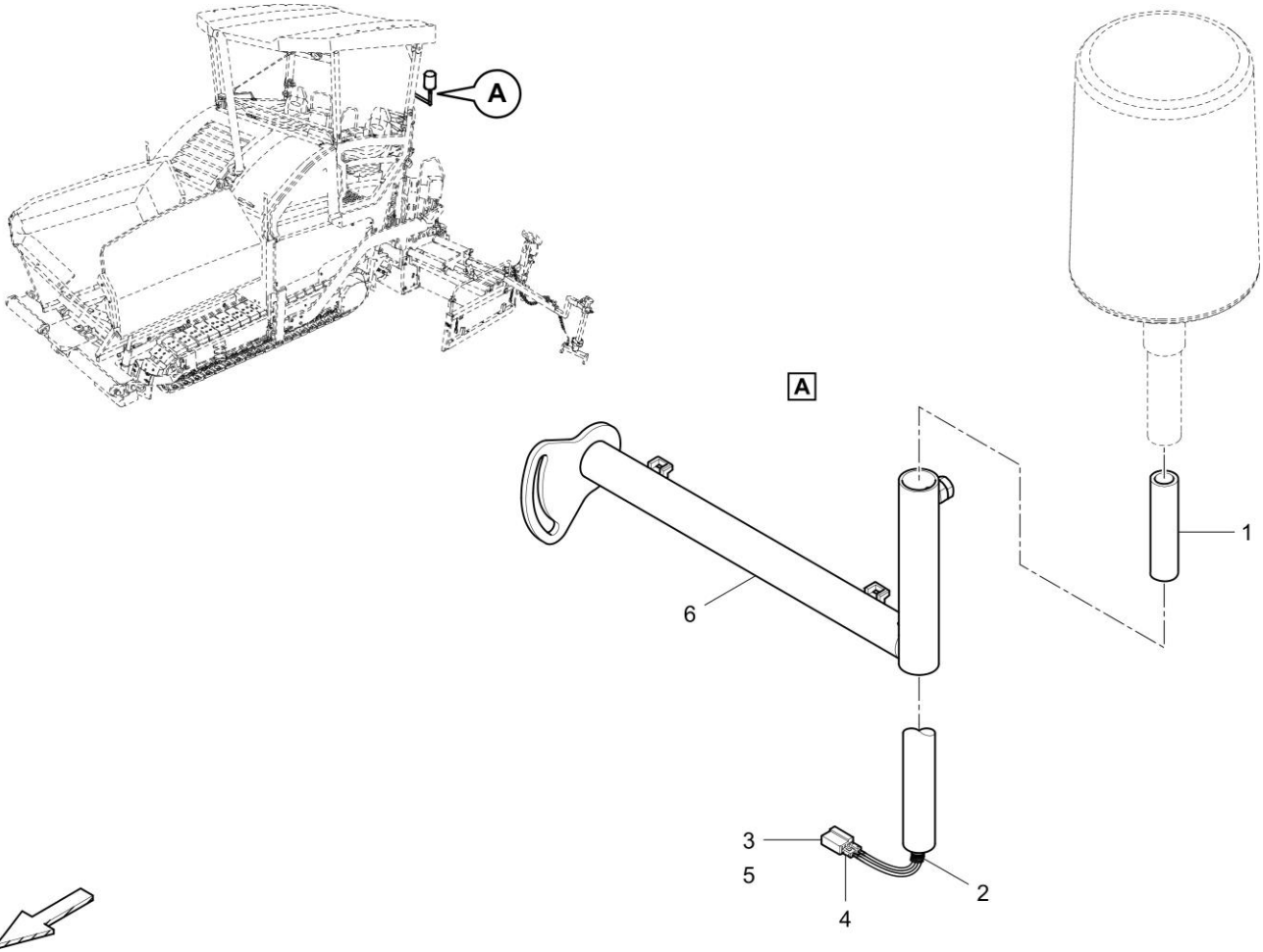
Mon Sep 06 05:00:31 UTC 2021

Protection cover 40-4812045421 Protection cover

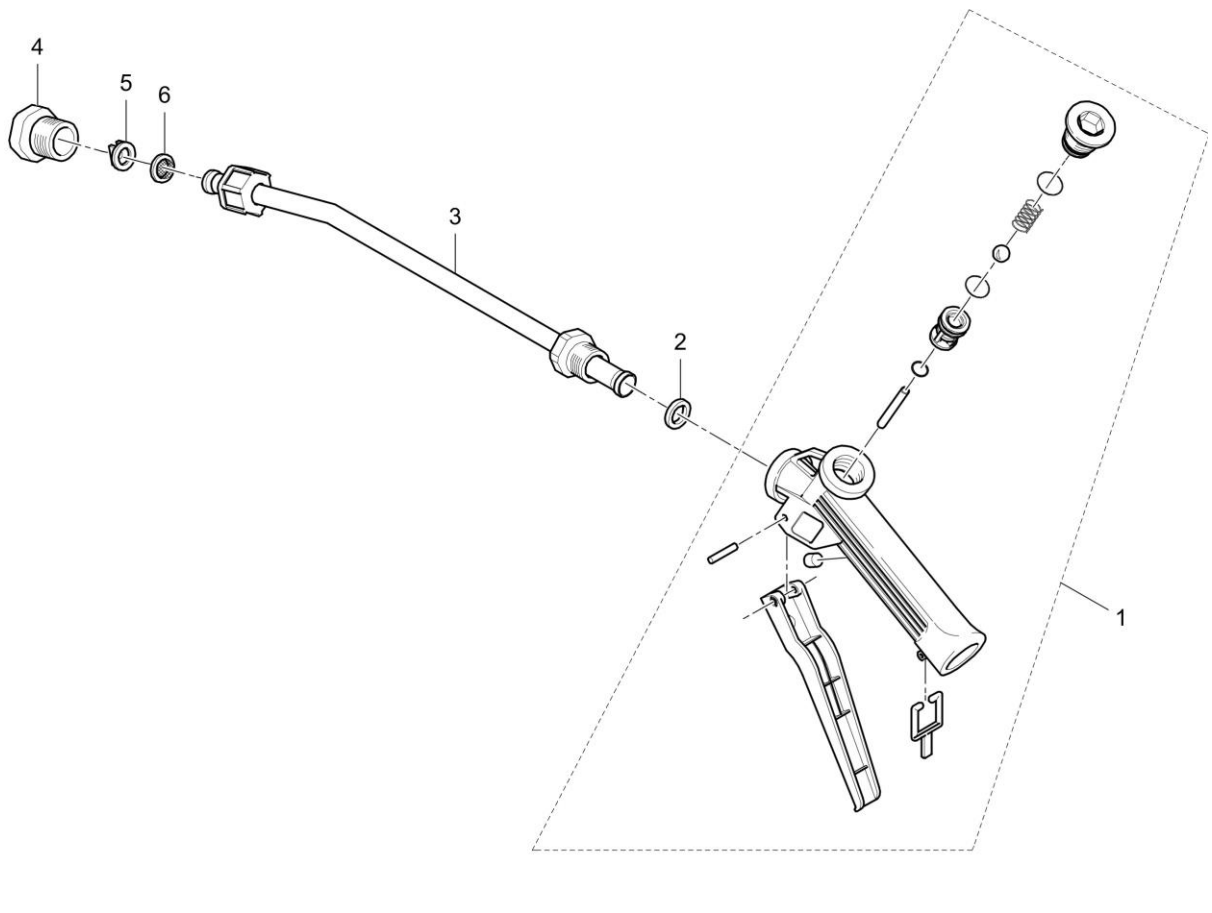
| Item | Part No. | Name | Qty | L | C | SN INFO |
|------|---------------|-------------------|-----|---|---|---------|
| 1 | 40-4812045422 | Protection cover | 1 | | | |
| 2 | 40-0216110056 | Countersunk screw | 2 | | | |
| 3 | 40-0333310024 | Washer | 2 | | | |
| 4 | 40-0266211100 | Nut hexagon | 2 | | | |

| Item | Part No. | Name | Qty | L | C | SN INFO |
|--------|---------------|-----------|-----|---|---|---------|
| X375.1 | 40-4812074694 | Cable lug | 1 | | | |

40-4812012450 Slip-on pipe 40-4812012450 Slip-on pipe

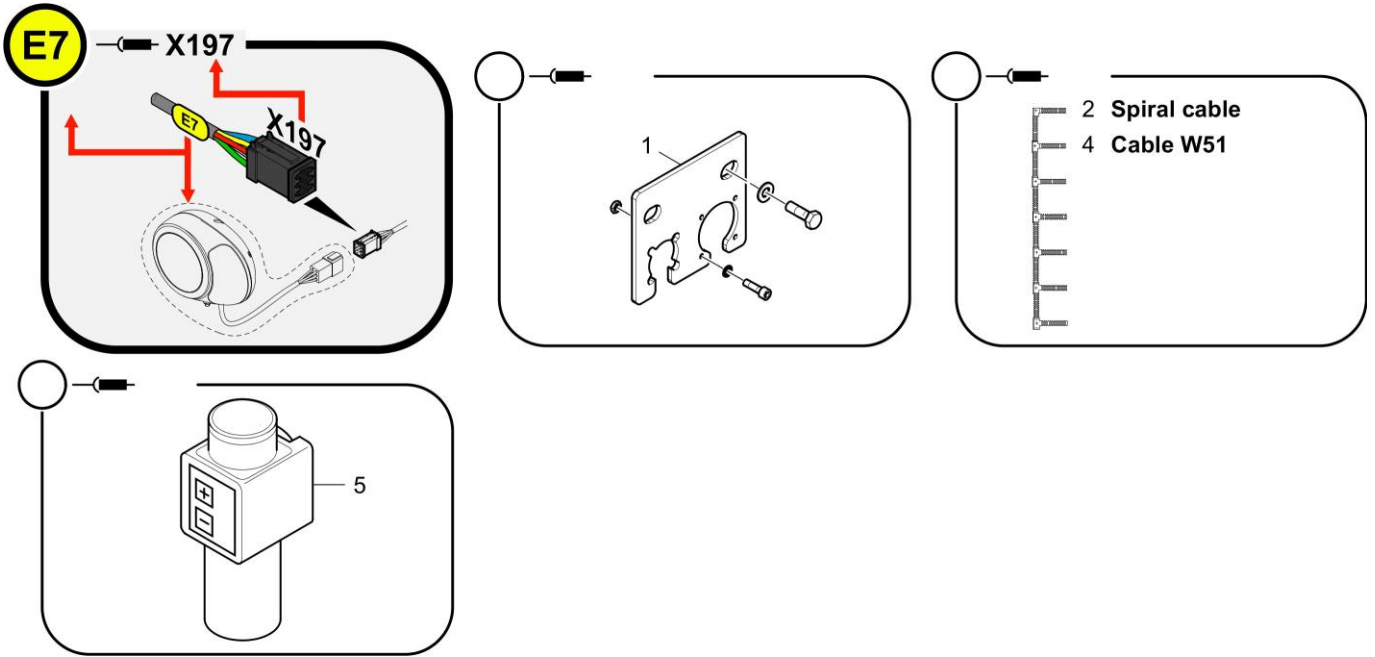


| Item | Part No. | Name | Qty | L | C | SN INFO |
|------|---------------|----------------------------|-----|---|---|---------|
| 1 | 40-4812012246 | Slip-on pipe | 1 | | | |
| 2 | 40-D977418854 | Corrugated pipe x m | 1 | | | |
| 3 | 40-D977330126 | Plug housing | 1 | | | |
| 4 | 40-4749100094 | Flat plug sleeve | 2 | | | |
| 5 | 40-D977396215 | Tab | 2 | | | |
| 6 | 40-4812011482 | Holder for rotaflare light | 1 | | | |

Spray arm 40-4812217384 Spray arm

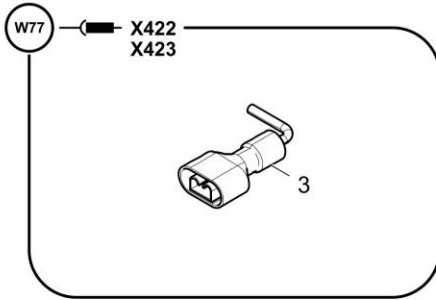
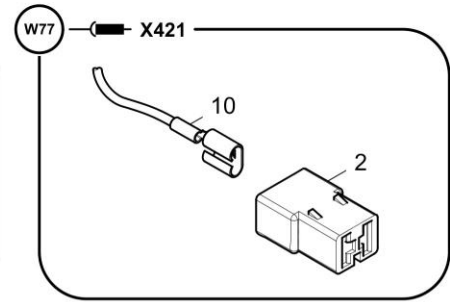
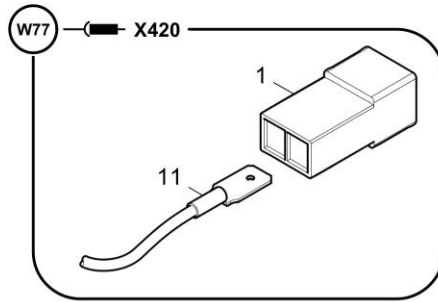
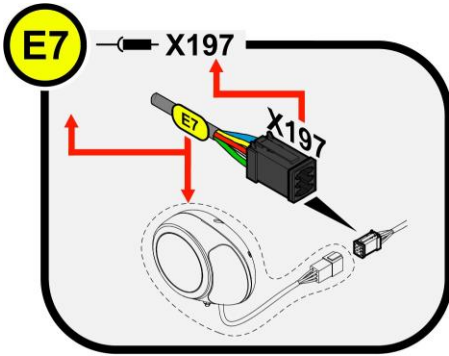
| Item | Part No. | Name | Qty | L | C | SN INFO |
|------|---------------|-----------|-----|---|---|---------|
| 1 | 40-4812072333 | Spray gun | 1 | | | |
| 2 | 40-4812072334 | Seal | 1 | | | |
| 3 | 40-4812072335 | Spray arm | 1 | | | |
| 4 | 40-4812072336 | Retainer | 1 | | | |
| 5 | 40-4812073710 | Nozzle | 1 | | | |
| 6 | 40-4812073711 | Strainer | 1 | | | |

40-4812201893 Emergency stop 40-4812201893 Emergency stop



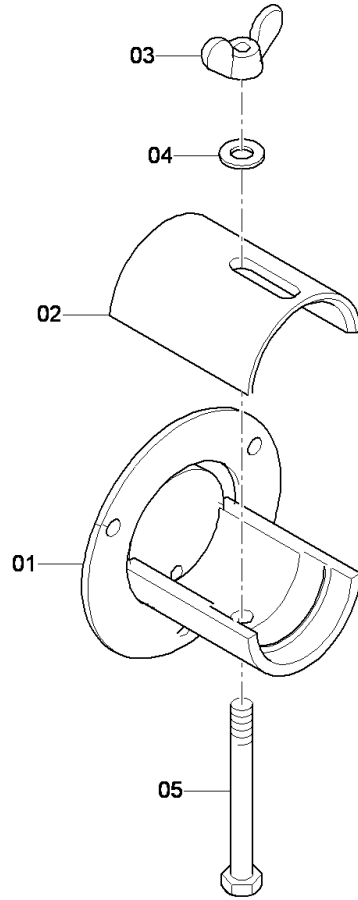
| Item | Part No. | Name | Qty | L | C | SN INFO |
|------|---------------|----------------|-----|---|---|---------|
| 1 | 40-4812023388 | Mounting parts | 1 | | | |
| 2 | 40-D727409611 | Spiral cable | 1 | | | |
| 4 | 40-4812024344 | Cable W51 | 1 | | | |
| 5 | 40-4812076486 | Sonic sensor | 1 | | | |

Cable 40-4812072056 Cable W77



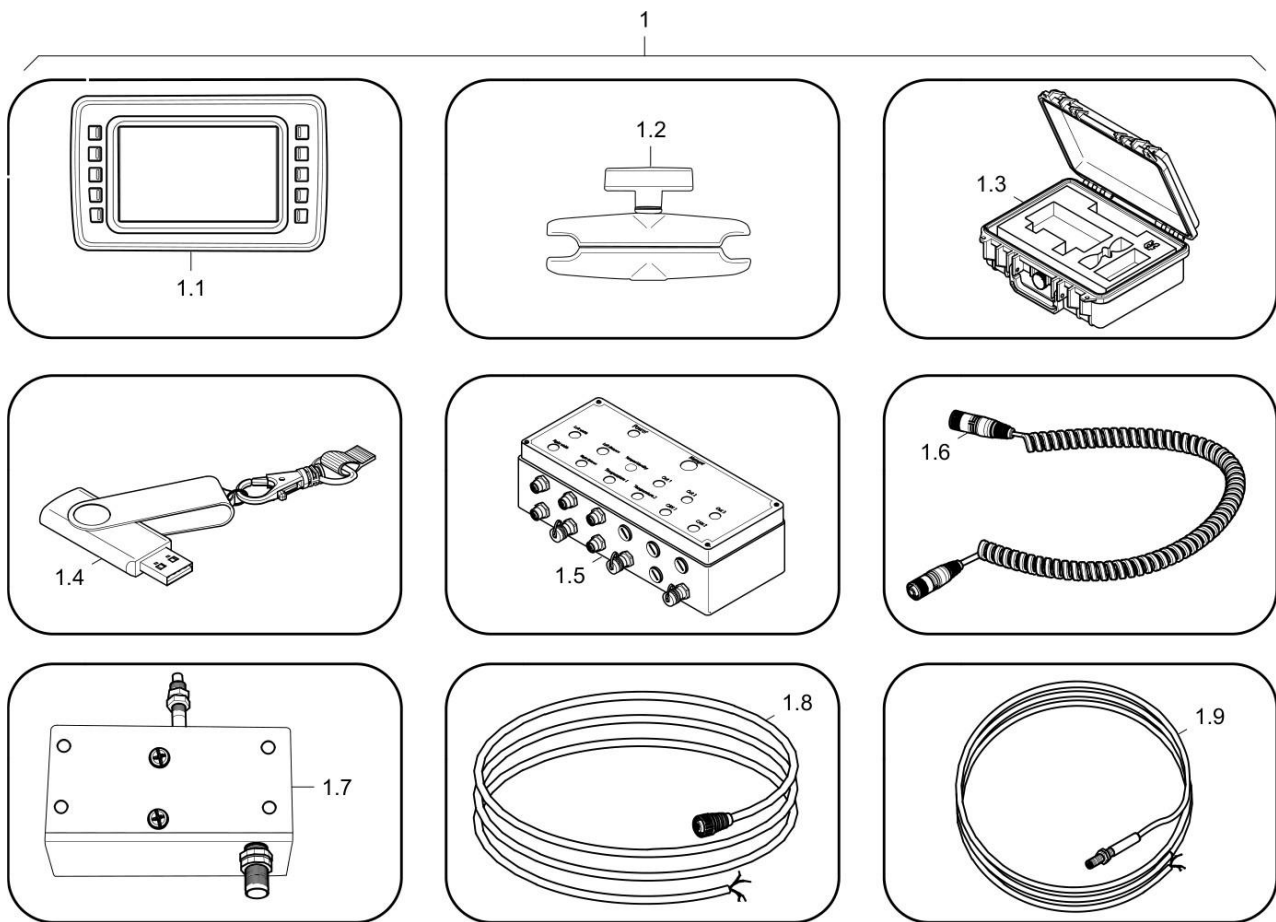
| Item | Part No. | Name | Qty | L | C | SN INFO |
|------|---------------|---------------------|-----|---|---|---------|
| 1 | 40-D977330124 | Socket | 1 | | | |
| 2 | 40-D977330123 | Female housing | 1 | | | |
| 3 | 40-D977397710 | Receptacle | 2 | | | |
| 10 | 40-D977397117 | Receptacle for tabs | 2 | | | |
| 11 | 40-D977396215 | Tab | 2 | | | |

Retainer 40-4812043252 Retainer

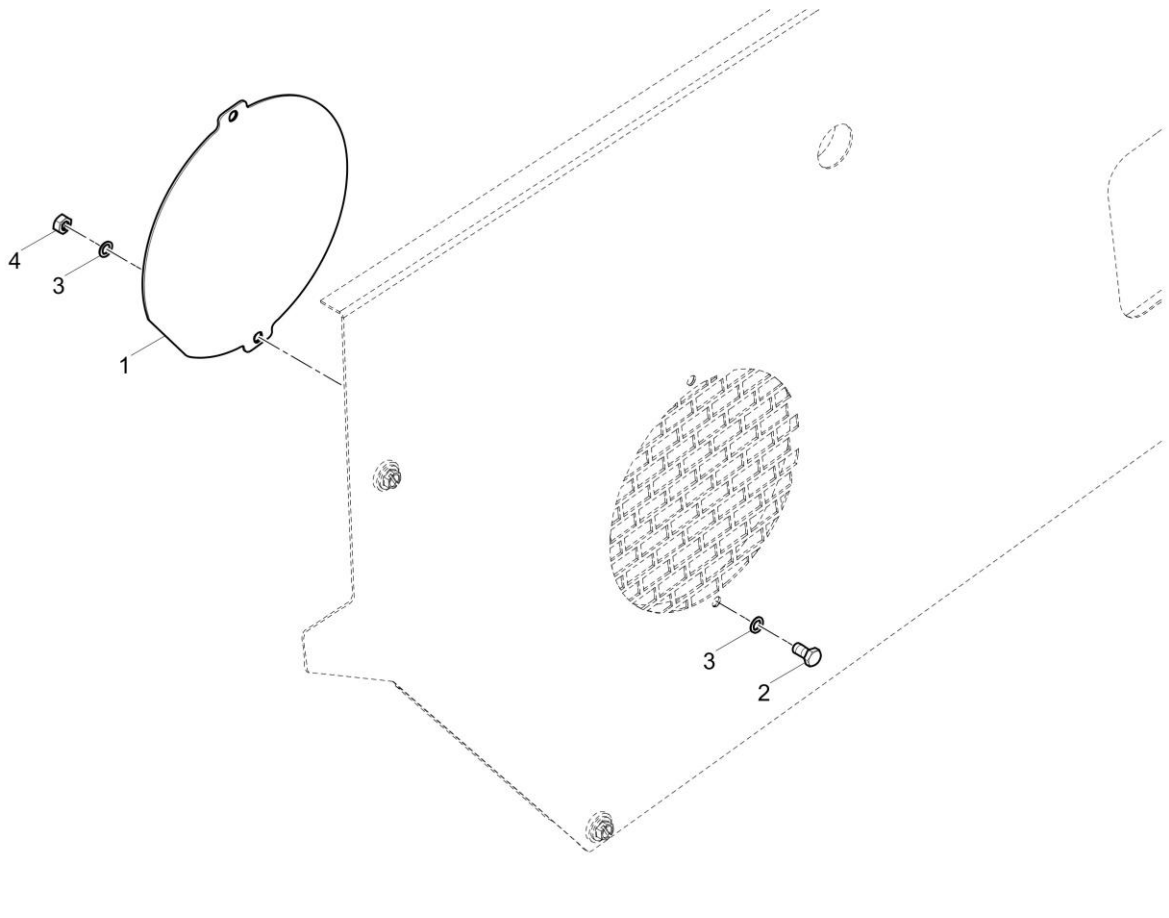


| Item | Part No. | Name | Qty | L | C | SN INFO |
|------|---------------|----------|-----|---|---|---------|
| 1 | 40-4812043251 | Retainer | 1 | | | |
| 2 | 40-4812043248 | Clamping | 1 | | | |
| 3 | 40-4749900633 | Nut | 1 | | | |
| 4 | 40-0302127405 | Washer | 1 | | | |
| 5 | 40-0147137703 | Screw | 1 | | | |

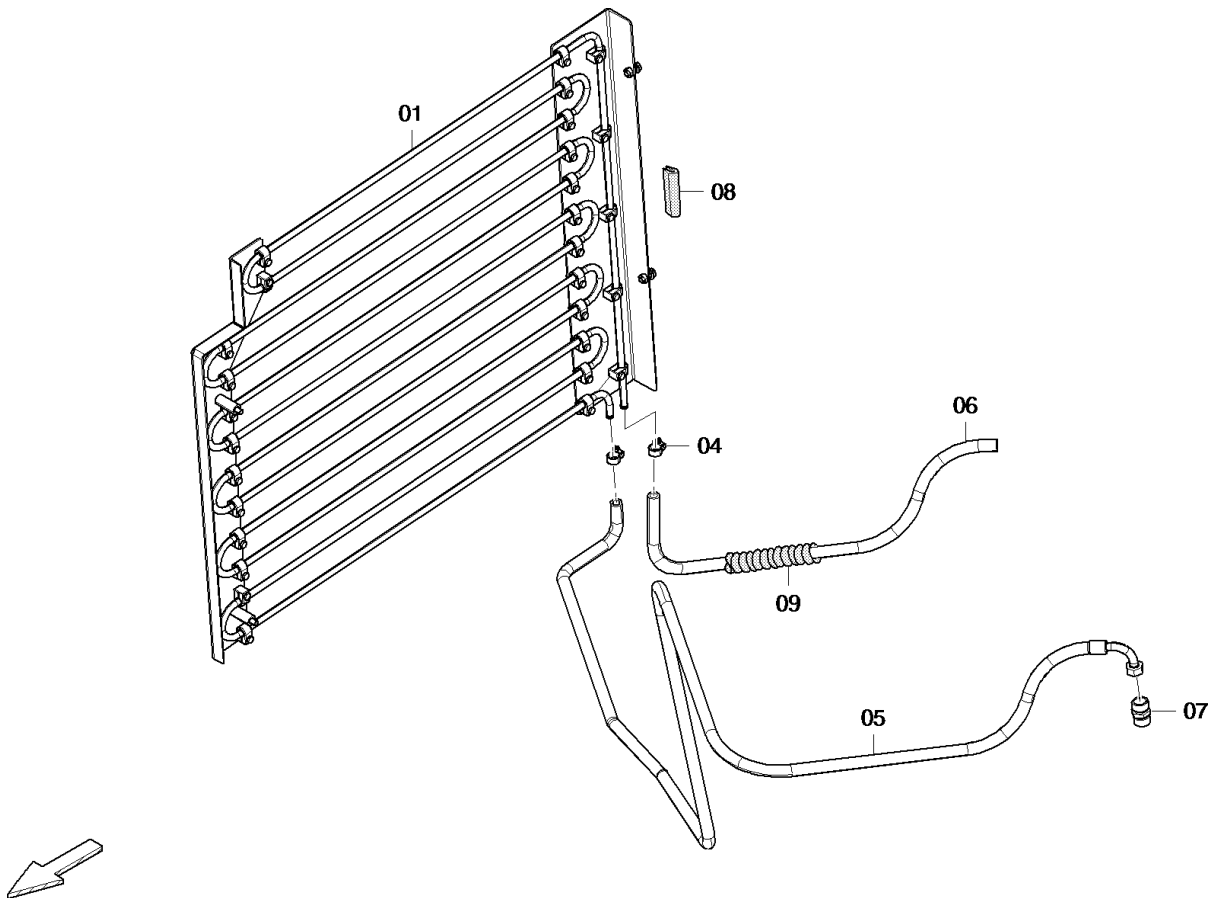
40-4812216118 Kit, mat-manager 40-4812216118 Kit, mat-manager



40-4812228144 Cover 40-4812228144 Cover



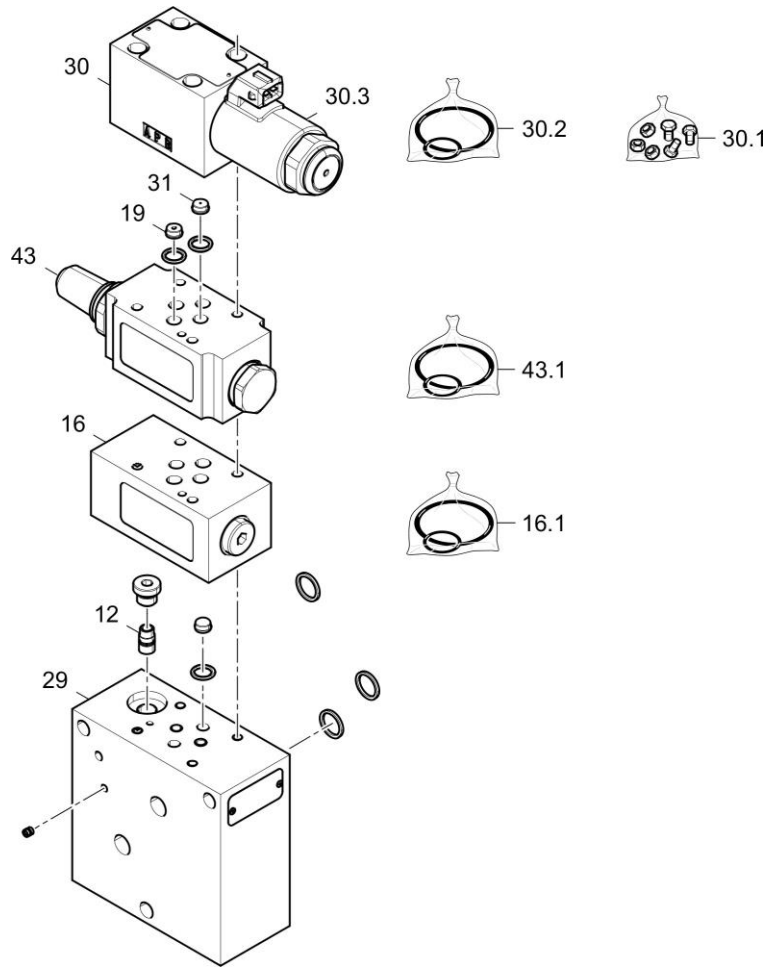
| Item | Part No. | Name | Qty | L | C | SN INFO |
|------|---------------|---------------------|-----|---|---|---------|
| 1 | 40-4812031367 | Cover | 1 | | | |
| 2 | 40-0147132203 | Hexagon head screw | 2 | | | |
| 3 | 40-0333310036 | Schnorr-lock washer | 4 | | | |
| 4 | 40-0266211000 | Hexagon nut | 2 | | | |

Diesel cooler cpl. 40-4812009263 Diesel cooler cpl.

| Item | Part No. | Name | Qty | L | C | SN INFO |
|------|---------------|---------------------|-----|---|---|---------|
| 1 | 40-4812009222 | Diesel cooler | 1 | | | |
| 4 | 40-D934400009 | Clamp | 2 | | | |
| 5 | 40-4812010185 | Hose | 1 | | | |
| 6 | 40-4812010186 | Hose | 1 | | | |
| 7 | 40-D961903008 | Male connector | 1 | | | |
| 8 | 40-D930280167 | Edge protection x m | 1.9 | | | |
| 9 | 40-D930460096 | Protecting hose X m | 1 | | | |

Referenced Pages

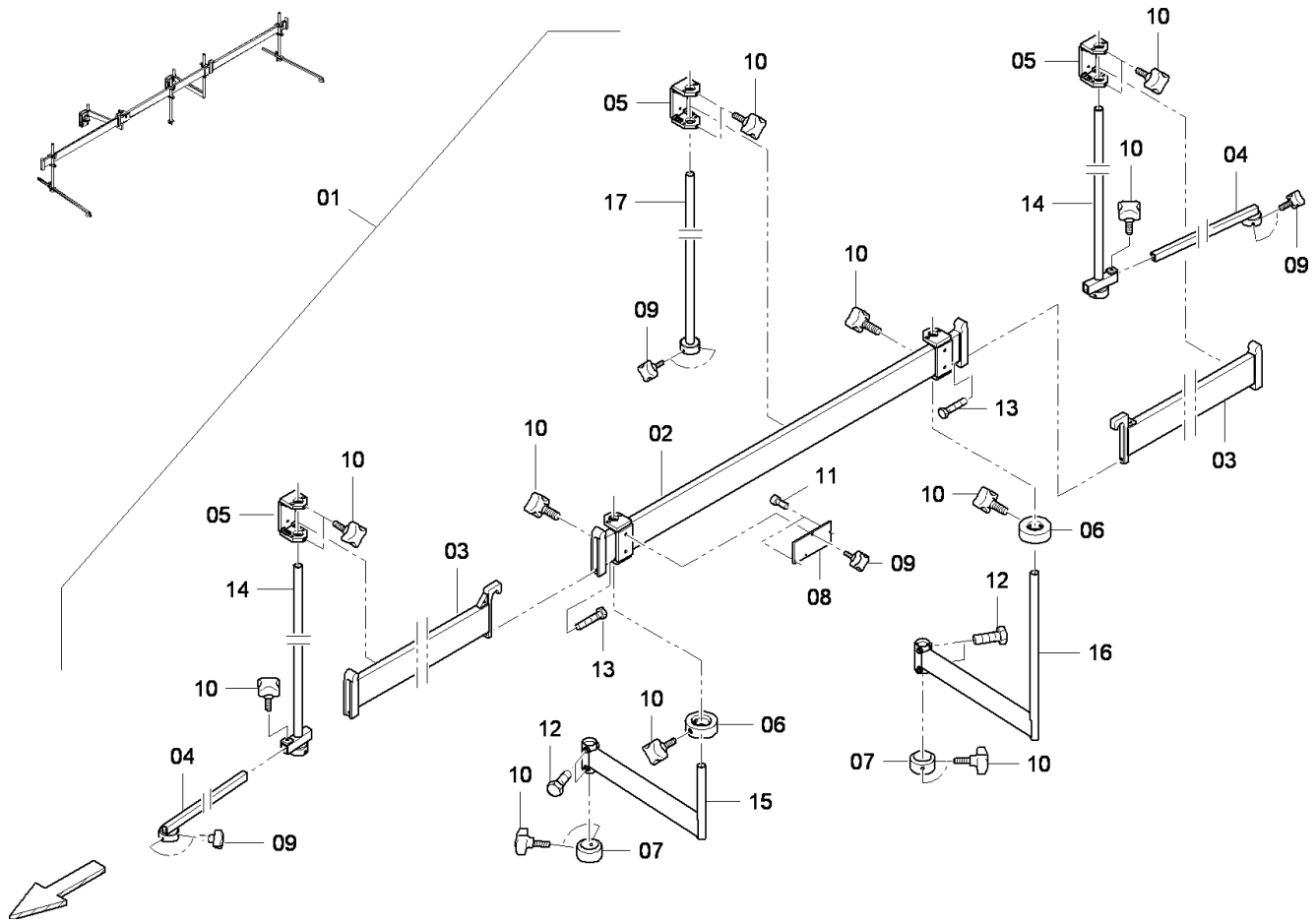
40-4812225667 Covering center part, l.h. 80

Control block 40-4812076414 Control block

| Item | Part No. | Name | Qty | L | C | SN INFO |
|------|---------------|-------------------------|-----|---|---|---------|
| 12 | 40-4812201164 | Non return valve | 1 | | | |
| 16 | 40-4812201171 | Pressure compensator | 1 | | | |
| 16.1 | 40-4812201172 | Sealing kit | 1 | | | |
| 19 | 40-4812201576 | Nozzle | 1 | | | |
| 29 | 40-4812202458 | Hydraulic block | 1 | | | |
| 30 | 40-4812202463 | Directional spool valve | 1 | | | |
| 30.1 | 40-4812201178 | Screw kit | 1 | | | |
| 30.2 | 40-4812201175 | Sealing kit | 1 | | | |
| 30.3 | 40-4812201180 | Coil | 1 | | | |
| 31 | 40-4812076868 | Nozzle | 1 | | | |
| 43 | 40-4812076870 | Non return valve | 1 | | | |
| 43.1 | 40-4812076871 | Sealing kit | 1 | | | |

Referenced Pages

40-D900626011 Slope sensor..... 636

Big Ski 9 m cpl. 40-4812042035 Big Ski 9 m

| Item | Part No. | Name | Qty | L | C | SN INFO |
|------|---------------|----------------|-----|---|---|---------|
| 1 | 40-4812042035 | Big Ski 9 m | 1 | | | |
| 2 | 40-D900650606 | Carbody | 1 | | | |
| 3 | 40-D900650607 | Module | 2 | | | |
| 4 | 40-D900650609 | Beam | 2 | | | |
| 5 | 40-D900650611 | Retainer | 3 | | | |
| 6 | 40-D900650614 | Fixation ring | 2 | | | |
| 7 | 40-D900650615 | Fixation ring | 2 | | | |
| 8 | 40-D900650616 | Retainer plate | 1 | | | |
| 9 | 40-D900650617 | Star handle | 7 | | | |
| 10 | 40-D900650618 | Star handle | 16 | | | |
| 11 | 40-D900650619 | Screw | 2 | | | |
| 12 | 40-D900650620 | Screw | 8 | | | |
| 13 | 40-D900650621 | Screw | 2 | | | |
| 14 | 40-4812041882 | Sensor holder | 2 | | | |
| 15 | 40-4812041994 | Swinging arm | 1 | | | |
| 16 | 40-4812041955 | Swinging arm | 1 | | | |

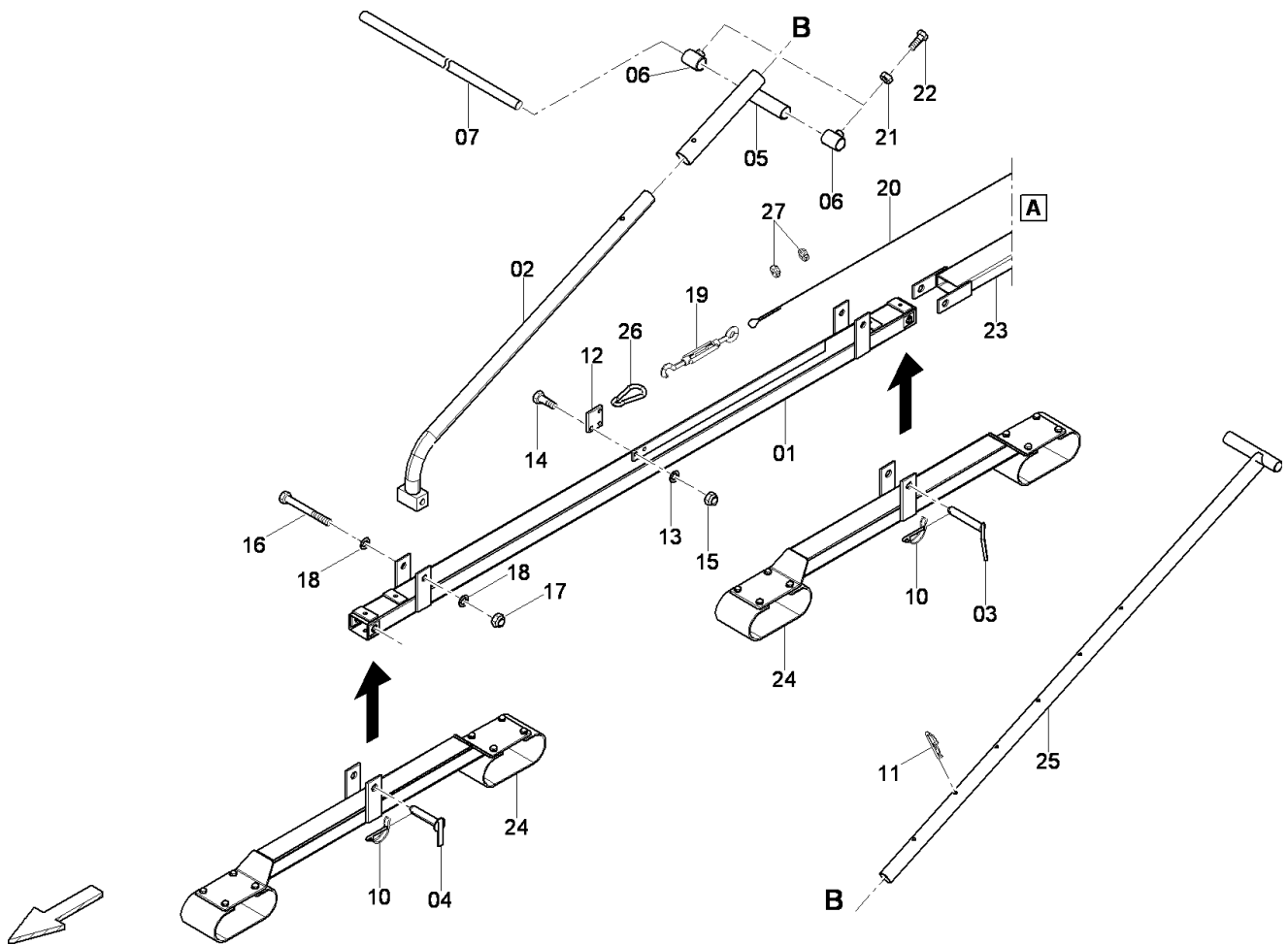
Refer to Parts Online for the most up to date information. The printed information might be outdated.

Mon Sep 06 05:01:17 UTC 2021

Referenced Pages

40-4812072316 Electro installation Big Ski.....654

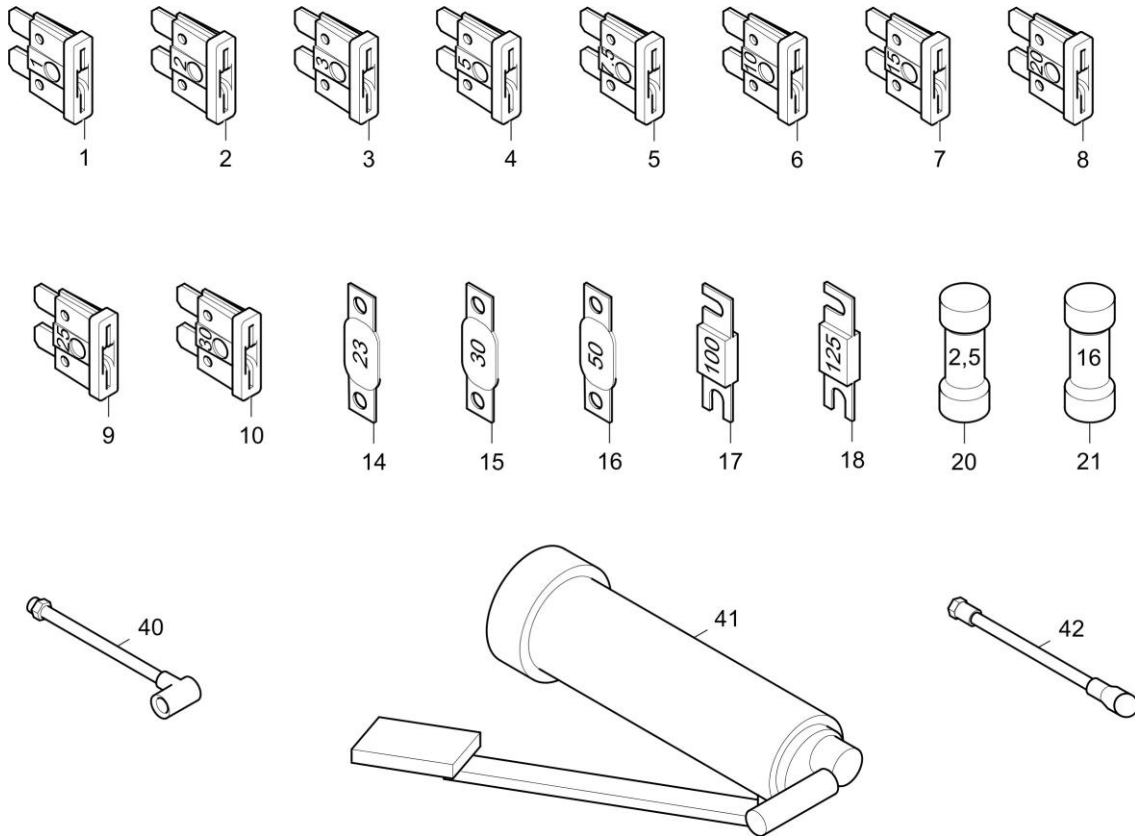
Trailing ski, 6m 40-4700688225 Trailing ski, 6m



Refer to Parts Online for the most up to date information. The printed information might be outdated.

Mon Sep 06 05:01:19 UTC 2021

Tools and accessories 40-4812009821 Tools and accessories

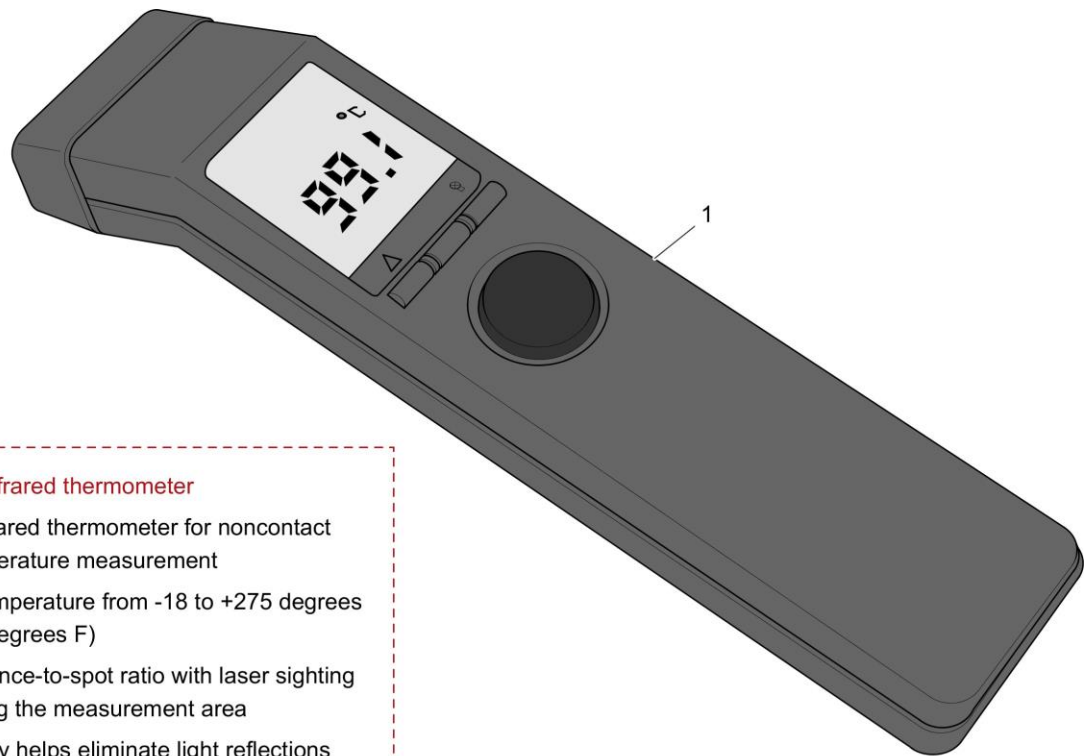


| Item | Part No. | Name | Qty | L | C | SN INFO |
|------|---------------|--------------|-----|---|---|---------|
| 1 | 40-D977454248 | Fuse | 2 | | | |
| 2 | 40-D977454249 | Fuse | 2 | | | |
| 3 | 40-D977454250 | Fuse | 2 | | | |
| 4 | 40-D977454252 | Fuse | 2 | | | |
| 5 | 40-D977454253 | Fuse | 2 | | | |
| 6 | 40-D977454254 | Fuse | 2 | | | |
| 7 | 40-D977454255 | Fuse | 2 | | | |
| 8 | 40-D977454256 | Fuse | 2 | | | |
| 9 | 40-D977454257 | Fuse | 2 | | | |
| 10 | 40-D977454258 | Fuse 30 Amp. | 2 | | | |
| 14 | 40-4812217212 | Fuse | 1 | | | |
| 15 | 40-D977453081 | Fuse | 1 | | | |
| 16 | 40-D977453085 | Fuse | 1 | | | |
| 17 | 40-D977453084 | Fuse | 1 | | | |
| 18 | 40-4812046349 | Fuse | 2 | | | |
| 20 | 40-4812202011 | Fuse | 2 | | | |

Refer to Parts Online for the most up to date information. The printed information might be outdated.

Mon Sep 06 05:01:23 UTC 2021

Special tool Infrared thermometer



Infrared thermometer

- Handheld infrared thermometer for noncontact surface temperature measurement
- Measures temperature from -18 to +275 degrees C (0 to 525 degrees F)
- Infrared distance-to-spot ratio with laser sighting for pinpointing the measurement area
- Backlit display helps eliminate light reflections and improves contrast in low-light conditions
- CE mark indicates compliance with applicable EU directives

| Item | Part No. | Name | Qty | L | C | SN INFO |
|------|---------------|----------------------|-----|---|---|---------|
| 1 | 40-4812038453 | Infrared thermometer | 1 | | | |

CLICK HERE TO **DOWNLOAD** THE COMPLETE MANUAL

- Thank you very much for reading the preview of the manual.
- You can download the complete manual from: www.heydownloads.com by clicking the link below



- Please note: If there is no response to CLICKING the link, please download this PDF first and then click on it.

CLICK HERE TO **DOWNLOAD** THE COMPLETE MANUAL