

Spare parts catalogue

AFT 600-3

Cummins Tier3 Stage III



Book ID: 10002151CN3034626

CLICK HERE TO **DOWNLOAD** THE COMPLETE MANUAL

- Thank you very much for reading the preview of the manual.
- You can download the complete manual from: www.heydownloads.com by clicking the link below



- Please note: If there is no response to CLICKING the link, please download this PDF first and then click on it.

CLICK HERE TO **DOWNLOAD** THE COMPLETE MANUAL

40-4812215845 Track roller, small _____ See page 228

Track drive

40-4812042984 Track drive _____ See page 229

Drive gear box, cpl.

40-4812027193 Drive gear box _____ See page 230

Drive gear box

40-4812035018 Drive gear box _____ See page 231

Track chain

40-4812238822 Track chain _____ See page 232

Track group support

40-4812077810 Track group support _____ 240

Conveyor

40-4812238492 Conveyor, single no. of bars, rev.

40-4812238492 Conveyor, single no. of bars, rev. _____ 241

Conveyor drive

40-4812238489 Conveyor drive _____ 242

Conveyor motor, reversable

40-4812238490 Conveyor motor, reversable _____ 244

Hydraulic conveyor, reversable

40-4812201866 Hydraulic, conveyor reversable _____ 246

Directional spool valve

40-4812007901 Directional spool valve _____ 247

Conveyor turn

40-4812026817 Conveyor turn _____ 248

Tensioner

40-4812026815 Tensioner _____ 250

Conveyor limit switch SPS cpl.

40-4812217597 Conveyor limit switch SPS cpl. _____ 251

Conveyor limit switch SPS cpl, l.h.

40-4812215299 Conveyor limit switch SPS cpl, l.h. _____ 252

Conveyor limit switch SPS cpl, r.h.

40-4812201807 Conveyor limit switch SPS cpl, r.h. _____ 254

Wear part kit conveyor chain, single

40-4812029178 Wear part kit conveyor chain, single _____ See page 14

Chain guide

40-D635060800A Chain guide _____ See page 16

Wear part kit conveyor guide plates

40-4812238491 Wear part kit conveyor guide plates _____ See page 9

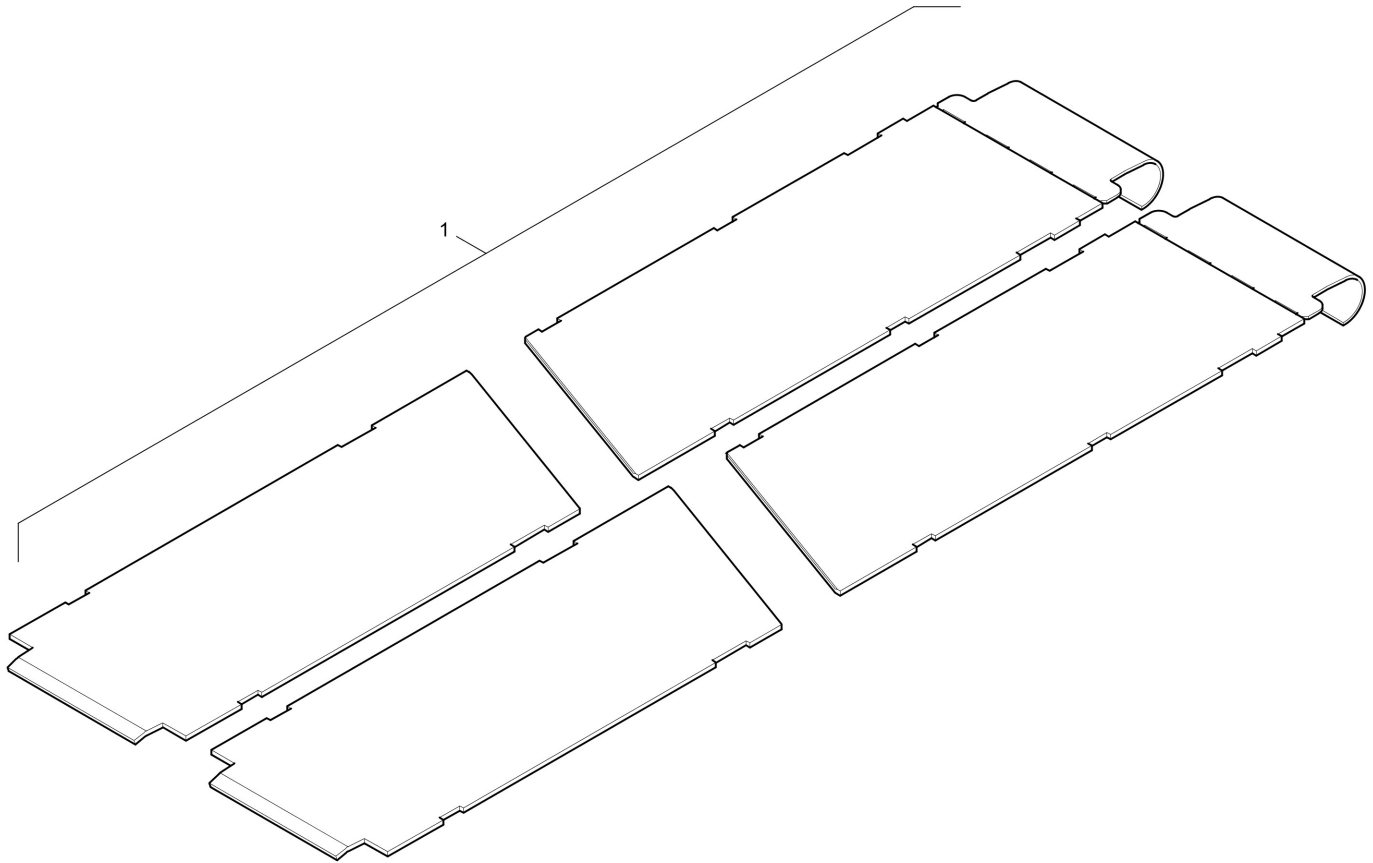
40-4812238624 Wear part kit conveyor guide plates, Hardox 400 _____ See page 10

Wear part kit conveyor plates

Hydraulik, fume control	
40-4812019596 Hydraulic, fume control	543
Pressure reduction valve	
40-4812215477 Pressure relief valve	545
40-4812044916 Pressure reduction valve	546
40-4812078816 Box, remote control PLC	
40-4812078816 Box, remote control PLC	547
40-4812080846 Headset, cpl. (only for STG V)	
40-4812080846 Headset, cpl.	548
40-4812082062 Headset Comfort Paket (only for STG V)	
40-4812082062 Headset Comfort Paket	549
40-4812061518 Fume control system	
40-4812061518 Fume control system	550
Blower	
40-4812073904 Exhaust fan	See page 542
Hydraulik, fume control	
40-4812217997 Hydraulic, Fume control	554
Pressure reduction valve	
40-4812215477 Pressure relief valve	See page 545
40-4812063704 Indicator thickness, top	
40-4812063704 Indicator thickness, top	557
40-4812226413 Indicator thickness, top	
40-4812226413A Indicator thickness, top	559
40-4812201934 Hydraulic auger lift, SETASSIST	
40-4812201934 Hydraulic auger lift, SETASSIST	561
40-4812074553 Driver`s seat	
40-4812074553 Drivers seat	562
Drivers seat	
40-4812216670 Drivers seat	563
Drivers seat	
40-4812076671 Driver seat	564
Electric, seat heater	
40-4812078125 Electric, seat heater	565
40-4812077617 Oil dipstick side door	
40-4812077617 Oil dipstick side door	566
40-4812041024 Material chute	
40-4812041024 Material chute	567
40-4812061575 Bio Hydraulic oil	
40-4812061575 Bio Hydraulic oil	569
Hydraulic, partial flow filter	

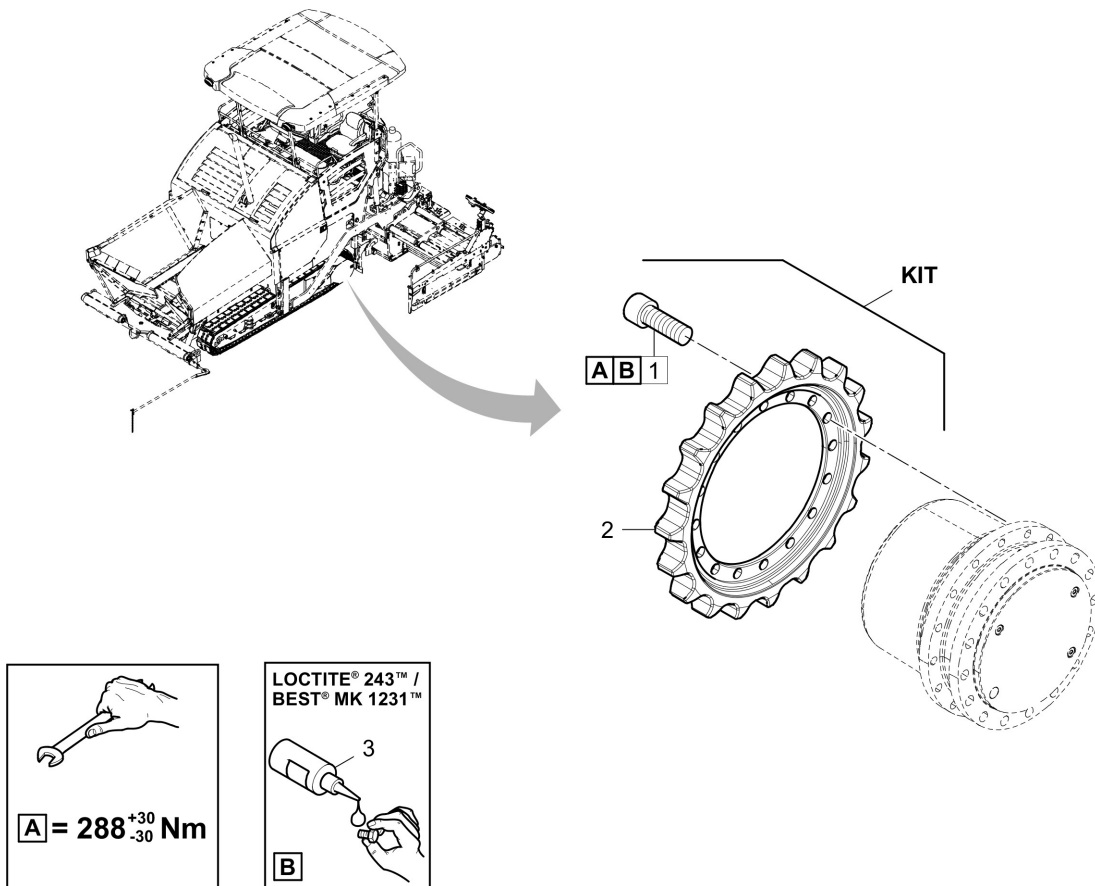
Item	Part No.	Name	Qty	L	C	SN INFO
3.5	40-4812035553	Wear part kit reversing roller	1			
3.6	40-4812029178	Wear part kit conveyor chain, single	1			
3.7	40-4812027444	Wear part kit conveyor chain, double	1			
3.8	40-D635060800A	Chain guide, middle	1			
3.9	40-4812071664	Wear part kit conveyor drive	1			
3.10	40-4812238489	Conveyor drive	1			
4		Drive kits				
4.1	40-4812035550	Wear part kit rubber plates	1			
4.2	40-4812075148	Wear part kit, track roller	1			
4.3	40-4812076628	Wear part kit, idler	1			
4.4	40-4812076502	Wear part kit, drive sprocket	1			
4.5	40-4812081080	Kit slide parts	1			
5		Service kits				
5.1	40-4812024673	Service kit 500 hrs TIER 3	1			
5.2	40-4812071041	Filter Kit 1000h	1			
5.3	40-4812071042	Service kit 1000 h TIER 3, stage 2	1			
6		General kits				
6.1	40-4812077016	Fuse and relay kit	1			
6.2	40-4812064474	Plug kits	1			

Conveyor kit 40-4812238585 Wear part kit conveyor plates, Hardox 400



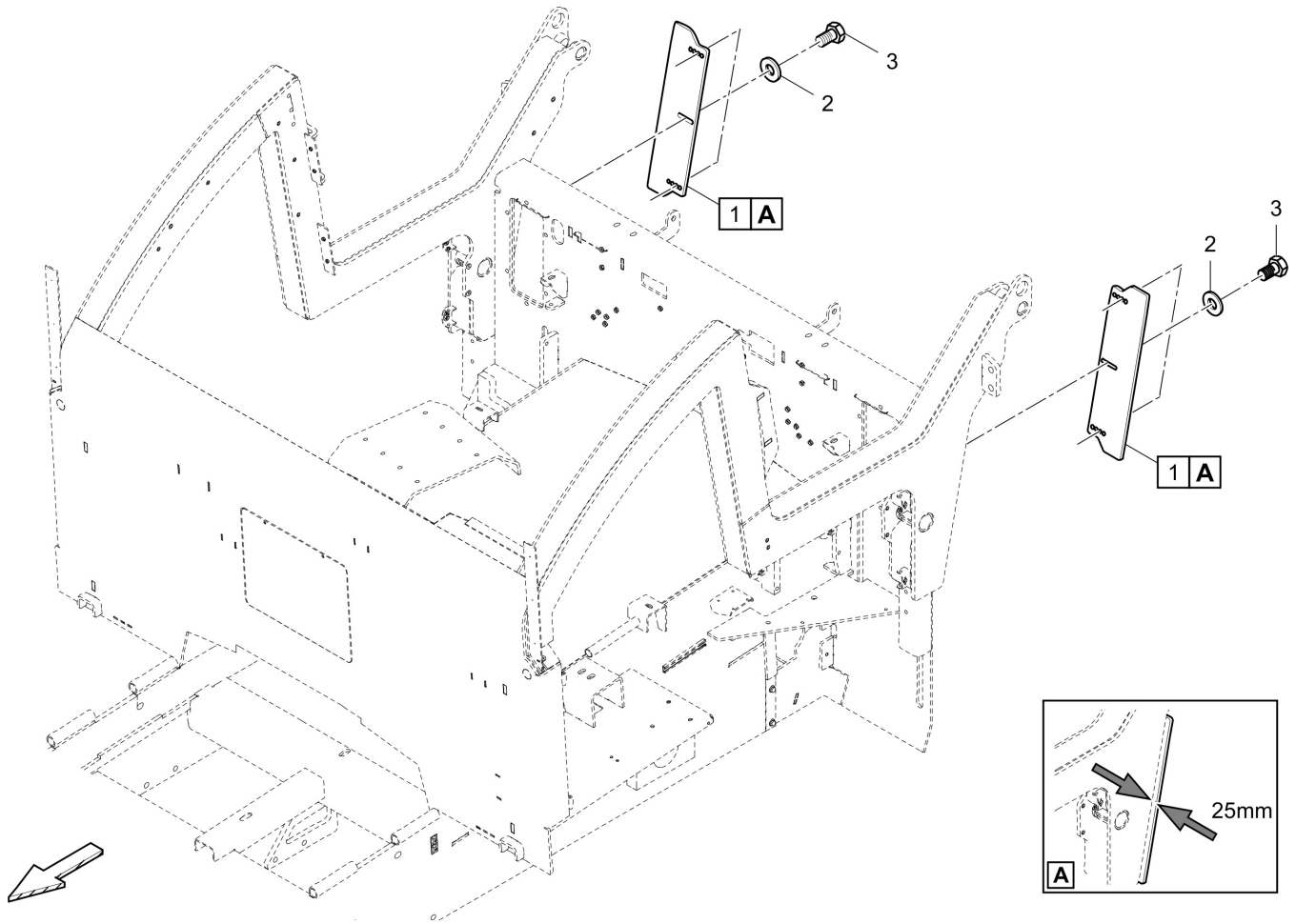
Item	Part No.	Name	Qty	L	C	SN INFO
1	40-4812238585	Wear part kit conveyor plates, Hardox 400	1			

Drive kits 40-4812076502 Wear part kit, drive sprocket



Item	Part No.	Name	Qty	L	C	SN INFO
KIT	40-4812076502	Wear part kit, drive sprocket	1			
1	40-0211196369	Hexagon socket head cap screw	20			
2	40-4812072459	Drive Sprocket	1			
3	40-D930290215	Adhesive	1			

Side arm guiding 40-4812028721 Side arm guiding

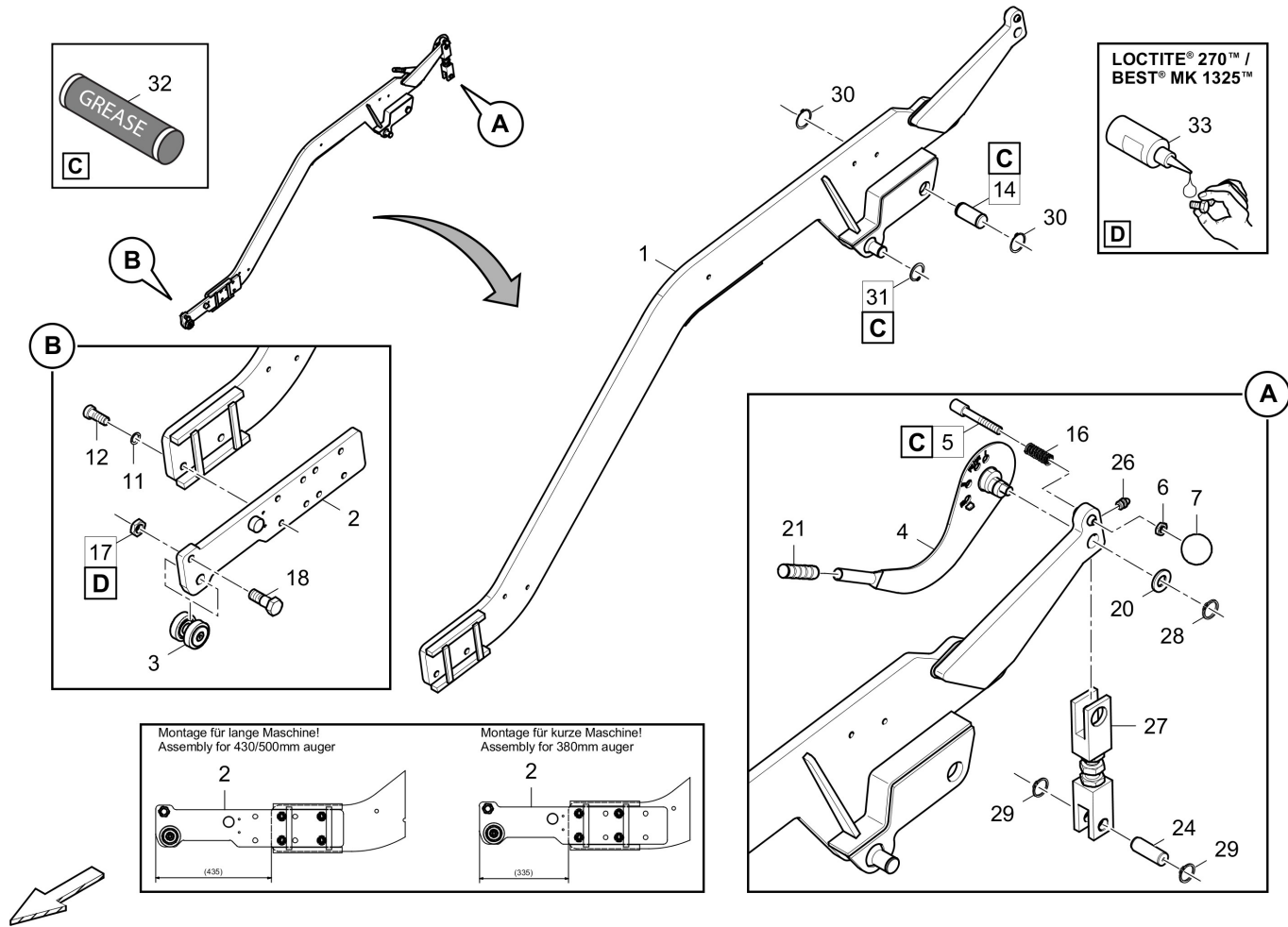


Item	Part No.	Name	Qty	L	C	SN INFO
1	40-4812028334	Guide plate	2			
2	40-0300013042	Flat washer	6			
3	40-0147140303	Hexagon bolt	6			

Refer to Parts Online for the most up to date information. The printed information might be outdated.

Thu Sep 29 05:31:16 UTC 2022

Levelling arm, r.h. 40-4812217283 Levelling arm, r.h.

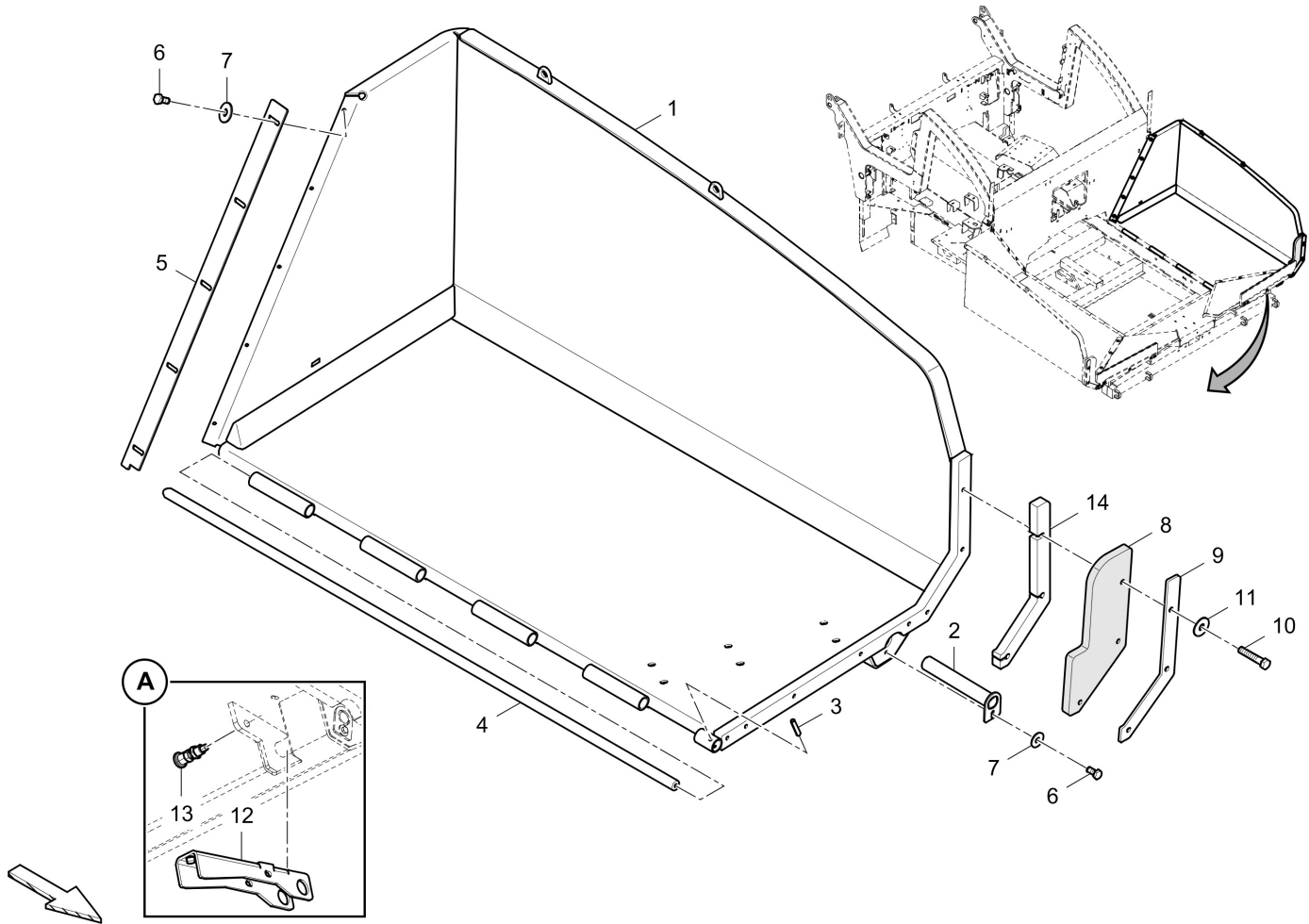


Item	Part No.	Name	Qty	L	C	SN INFO
1	40-4812217291	Levelling arm, r.h.	1			
2	40-4812029091	Side screed arm pull part	1			
3	40-4812232214	Side arm guiding	1			
4	40-4812073715	Eccentric lever	1			
5	40-4730005276	Bolt	1			
6	40-0261109960	Hexagon nut	1			
7	40-0362110901	Handle	1			
11	40-0333310044	Lock Washer	4			
12	40-0215001063	Hexagon socket head cap screw	4			
14	40-4812029166	Bolt	1			
16	40-4812217435	Compression spring	1			
17	40-0261109935	Nut	1			
18	40-4812029173	Dowel screw	1			

Refer to Parts Online for the most up to date information. The printed information might be outdated.

Thu Sep 29 05:31:21 UTC 2022

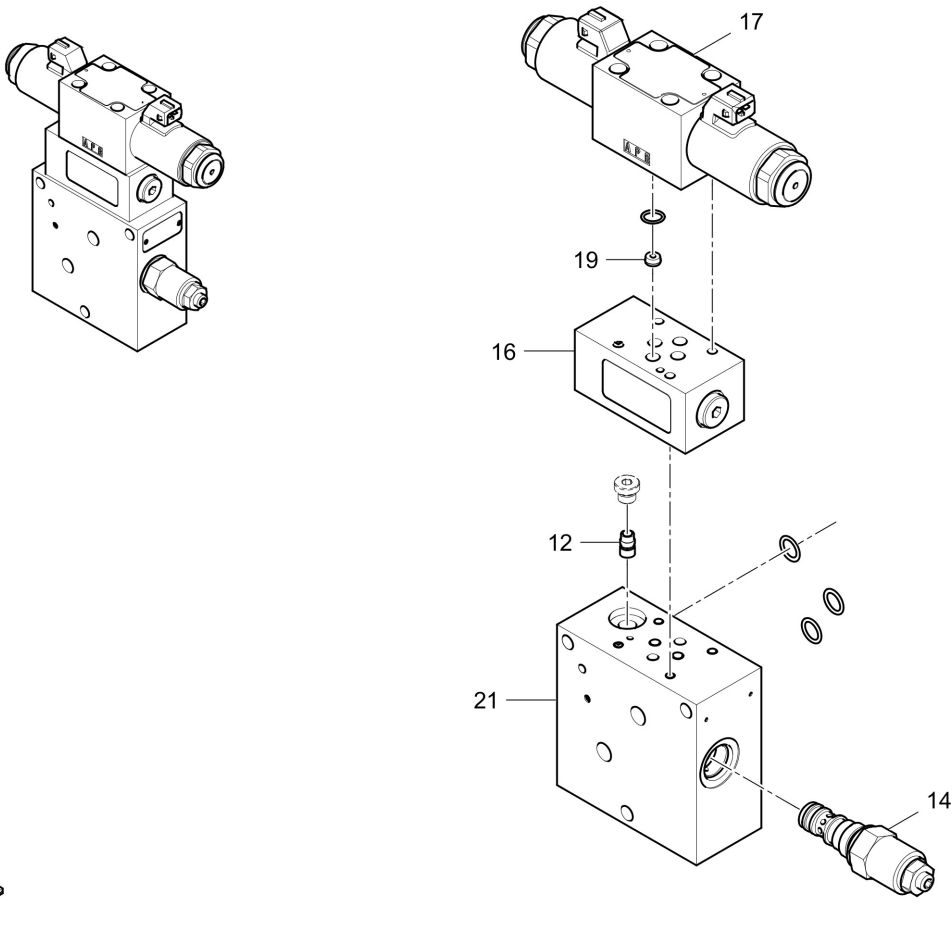
Hopper, l.h. 40-4812226054 Hopper, l.h.



Item	Part No.	Name	Qty	L	C	SN INFO
1	40-4812226055	Hopper, l.h.	1			
2	40-4812027931	Bolt	1			
3	40-D931501125	Dowel pin	1			
4	40-4812027930	Hopper bolt	1			
5	40-4812027934	Stripper	1			
6	40-0147136003	Screw cap	6			
7	40-0300013038	Flat washer	6			
8	40-4812227289	Hopper rubber	1			
9	40-4812044182	Sheet cast	1			
10	40-0147141303	Screw	3			
11	40-0300013042	Flat washer	3			
12	40-4812231436	Locking	1			
13	40-4812074510	Stop bolt	1			

Refer to Parts Online for the most up to date information. The printed information might be outdated.

Thu Sep 29 05:31:26 UTC 2022

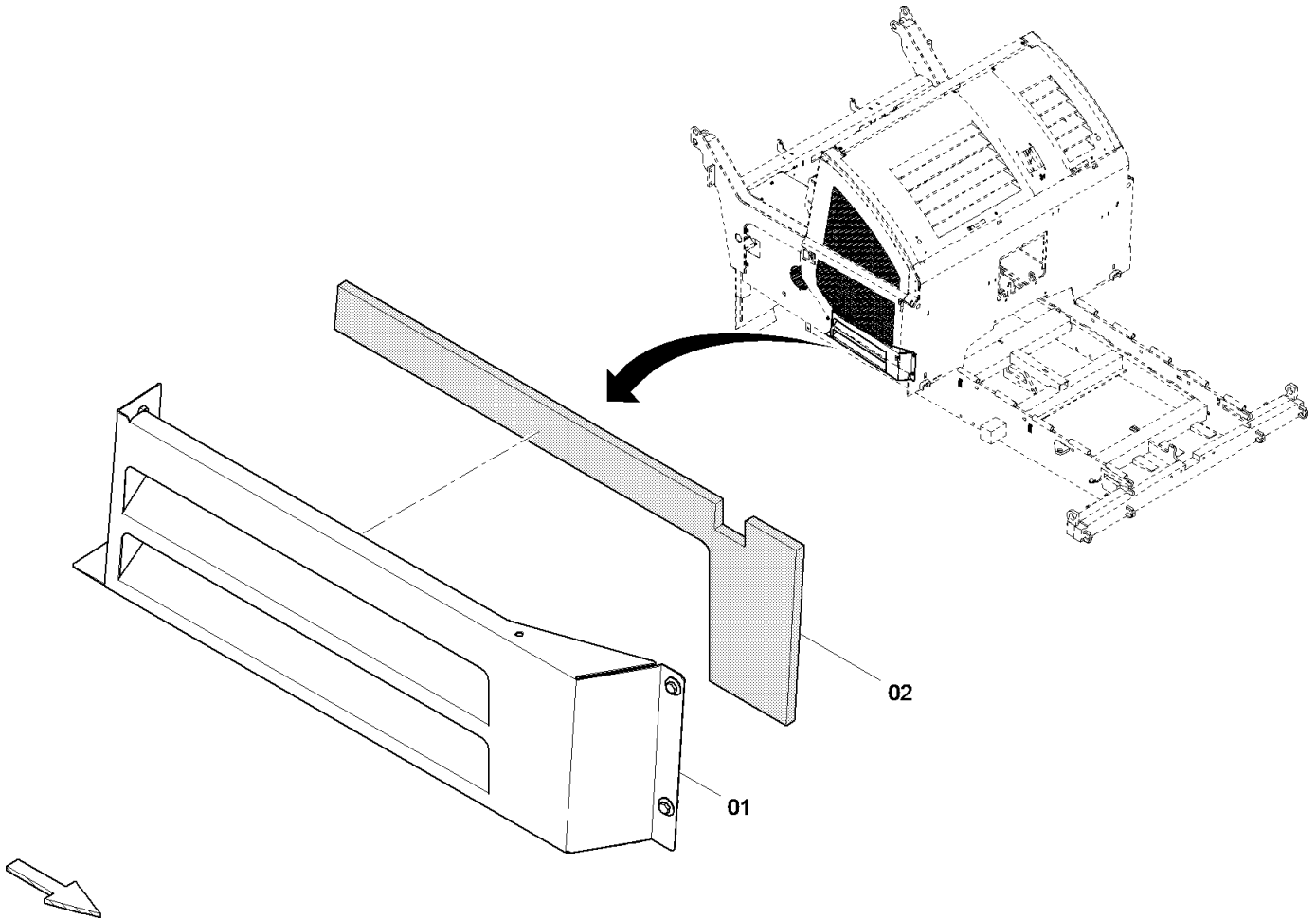
Control block 40-4812019399 Control block

Item	Part No.	Name	Qty	L	C	SN INFO
12	40-4812201164	Non return valve	1			
14	40-4812201159	Flow control valve	1			
14.1	40-4812201167	Sealing kit	1			
16	40-4812201171	Pressure compensator	1			
16.1	40-4812201172	Sealing kit	1			
17	40-4812201174	Directional spool valve	1			
17.1	40-4812201178	Screw kit	1			
17.2	40-4812201175	Sealing kit	1			
17.3	40-4812201180	Coil	1			
19	40-4812201586	Nozzle	1			
21	40-4812201181	Hydraulic block	1			
21.1	40-D969174205	Blanking plug	1			
21.2	40-4812201151	O-ring	3			

Refer to Parts Online for the most up to date information. The printed information might be outdated.

Thu Sep 29 05:31:29 UTC 2022

Air guide, r.h. 40-4812226899 Air guide, r.h., cpl.



Item	Part No.	Name	Qty	L	C	SN INFO
1	40-4812034771	Air guide, r.h.	1			
2	40-4812044614	Insulating material	1			

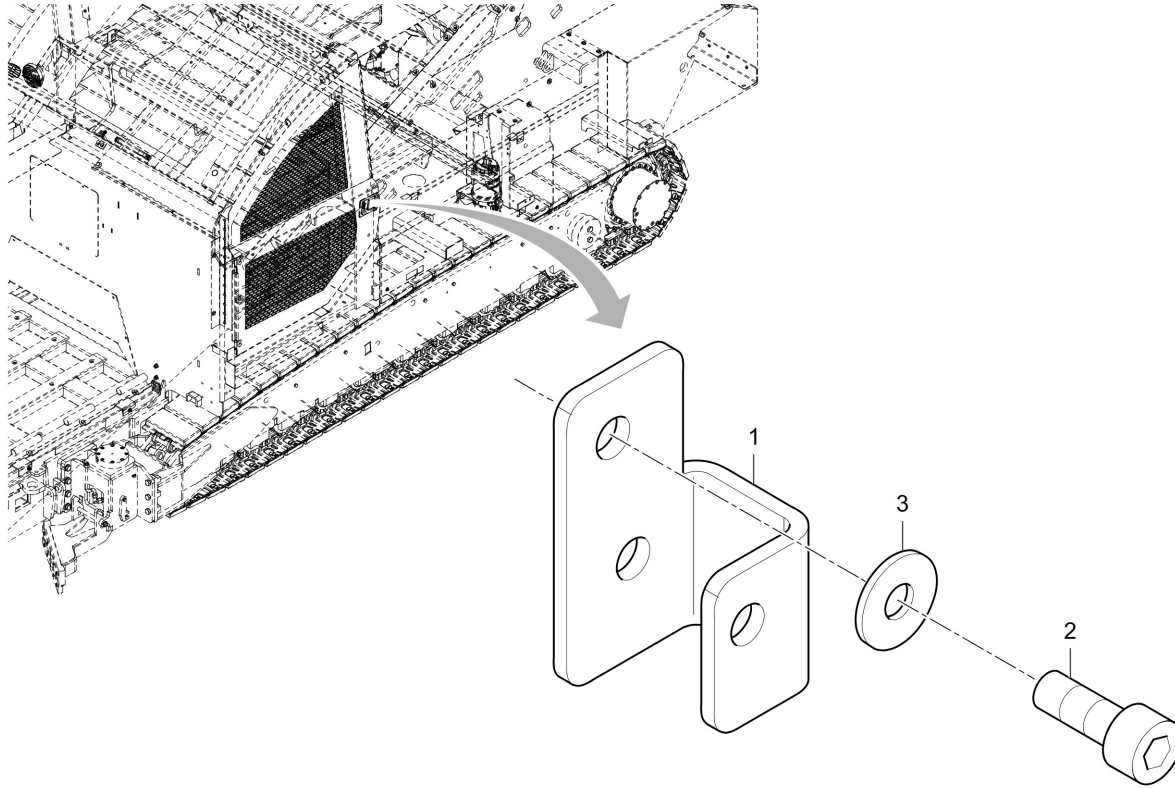
Item	Part No.	Name	Qty	L	C	SN INFO
13.1	40-4812075369	Key	1			
14	40-0291112854	Hexagon nut	4			

Refer to Parts Online for the most up to date information. The printed information might be outdated.

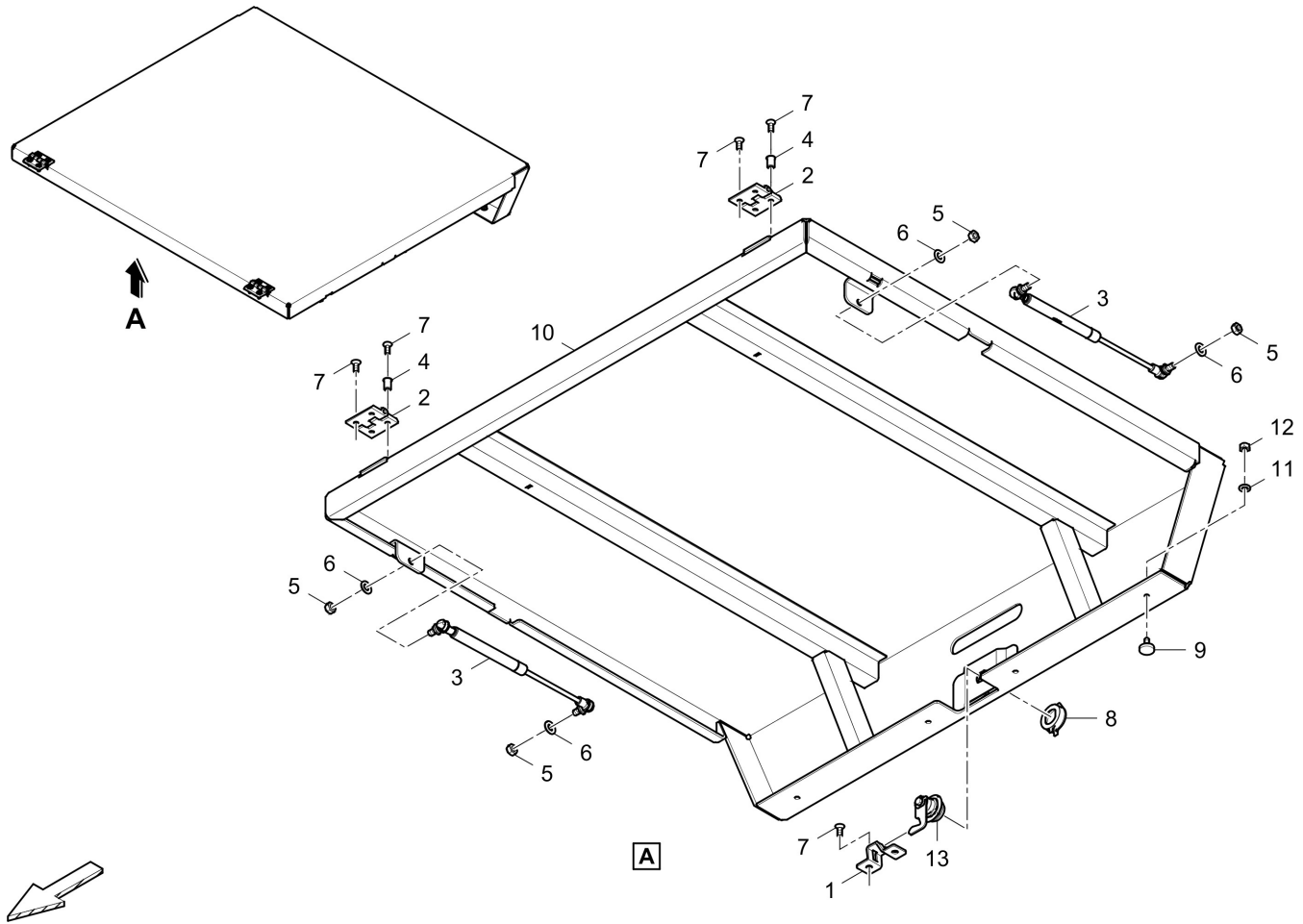
Thu Sep 29 05:31:34 UTC 2022

Item	Part No.	Name	Qty	L	C	SN INFO
15	40-0147124603	Screw	2			
16	40-4812227040	Gas spring	1			
17	40-0147196264	Bolt	1			
18	40-0266211100	Nut hexagon	2			
20	40-4812032847	Lock	1			
22	40-D939505023	Washer	2			
23	40-0147132203	Hexagon head screw	2			
24	40-4812034561	Distance bushing	1			
25	40-0211132903	Hex sock. screw	1			
26	40-0301233500	Plain washer	3			
27	40-0266211000	Hexagon nut	2			
28	40-0147136812	Screw DIN933	1			

Retainer, l.h. 40-4812226380 Retainer, l.h.



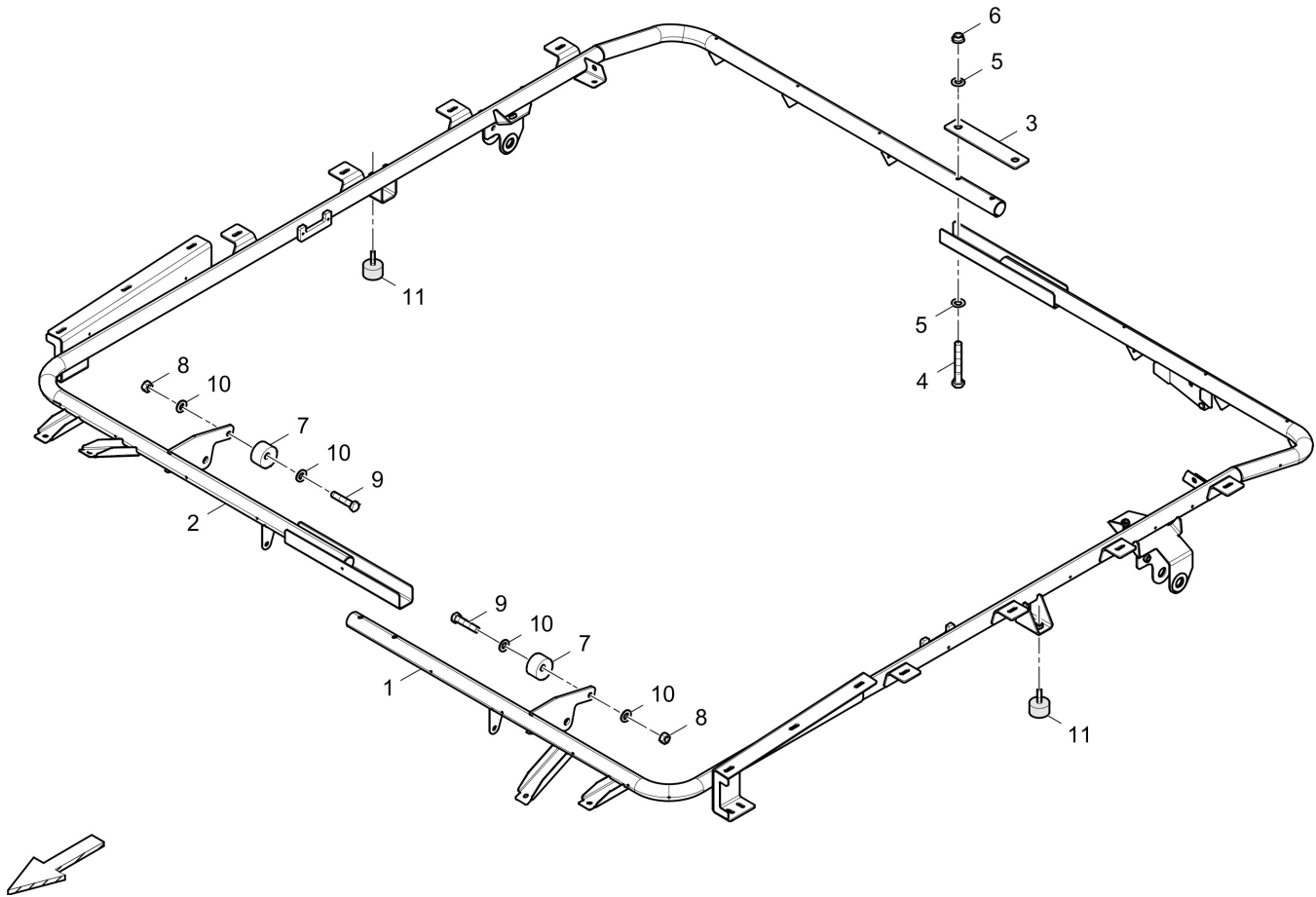
Item	Part No.	Name	Qty	L	C	SN INFO
1	40-4812226378	Plate	1			
2	40-0211132603	Hex. sock. screw	2			
3	40-D939505023	Washer	2			

Bottom plate, middle 40-4812227769 Bottom plate, middle

Item	Part No.	Name	Qty	L	C	SN INFO
1	40-4812227564	Latch retainer	1			
2	40-4749302191	Hinge	2			
3	40-4812036927	Pneumatic spring	2			
4	40-4812040808	Blind rivet	4			
5	40-0266211000	Hexagon nut	4			
6	40-D939505038	Washer	4			
7	40-0216195726	Hex sock. screw	10			
8	40-4812041418	Dust cap	1			
9	40-4812034260	Rubber buffer	4			
10	40-4812227770	Bottom plate, middle	1			
11	40-0301232100	Plain washer	4			
12	40-5730015118	Hexagon nut	4			
13	40-4812227510	Lock, cpl. (w/o key)	1			

Refer to Parts Online for the most up to date information. The printed information might be outdated.

Thu Sep 29 05:31:43 UTC 2022

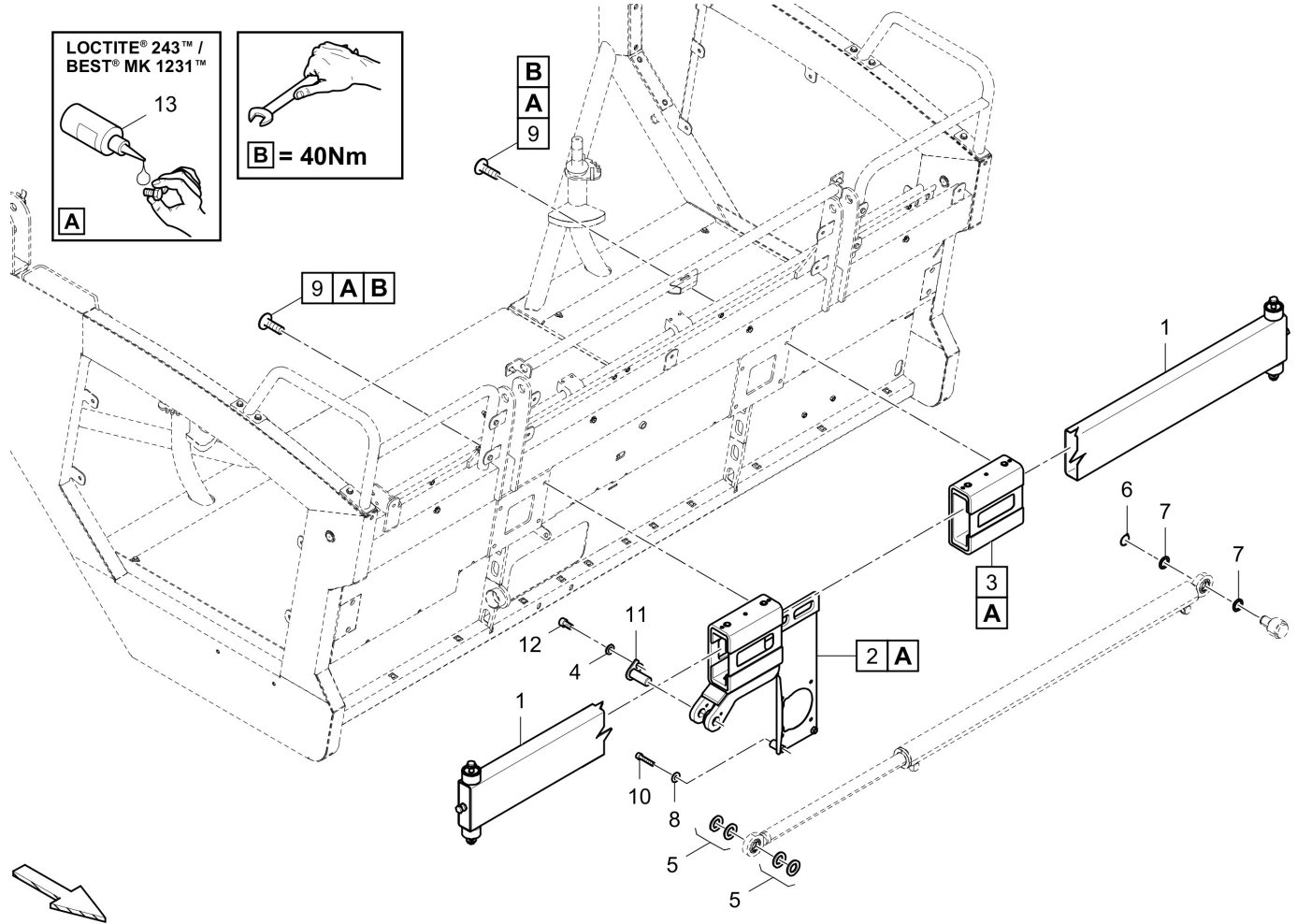
Umbrella roof 40-4812239580 Umbrella roof

Item	Part No.	Name	Qty	L	C	SN INFO
1	40-4812060010	Roof frame	1			
2	40-4812060011	Pipe frame	1			
3	40-4812226579	Plate	2			
4	40-0147137112	Hexagon bolt	4			
5	40-0301234400	Plain washer	8			
6	40-5541396800	Hexagon nut	4			
7	40-4812229221	Excenter guide	2			
8	40-0266211200	Hexagon nut	2			
9	40-0147140603	Hex. head screw	2			
10	40-0333310052	Flat washer	4			
11	40-4812060138	Rubber buffer	2			

Refer to Parts Online for the most up to date information. The printed information might be outdated.

Thu Sep 29 05:31:46 UTC 2022

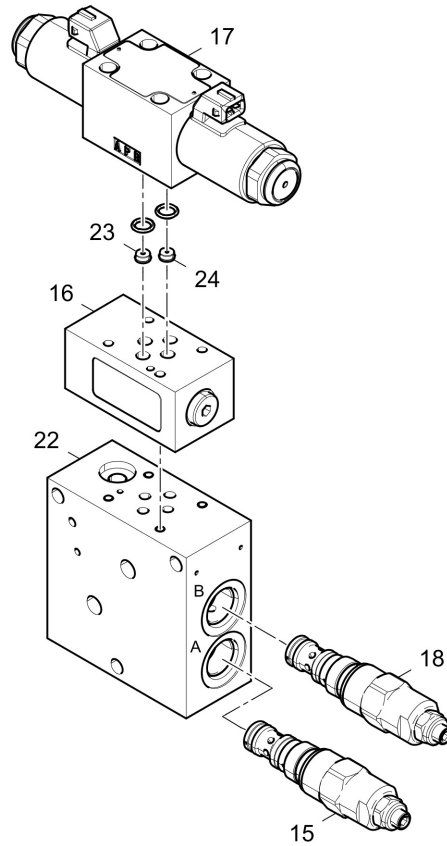
Guide 40-4812060012 Guide



Item	Part No.	Name	Qty	L	C	SN INFO
1	40-4812060013	Guide tube	1			
2	40-4812008046	Guide profile, l.h.	1			
3	40-4812008047	Guide profile, r.h.	1			
4	40-0333310051	Lock washer	1			
5	40-0300027469	Washer	4			
6	40-D936001597	Circlip	1			
7	40-0324155156	Adjusting washer	2			
8	40-D939515029	Washer	2			
9	40-4812017119	Flat head screw	8			
10	40-0211136703	Hexagon socket head cap screw	2			
11	40-4812076134	Bolt	1			
12	40-0211136003	Hexagon socket head cap	1			
13	40-D930290215	Adhesive	1			

Refer to Parts Online for the most up to date information. The printed information might be outdated.

Thu Sep 29 05:31:49 UTC 2022

Control block 40-4812077959 Control

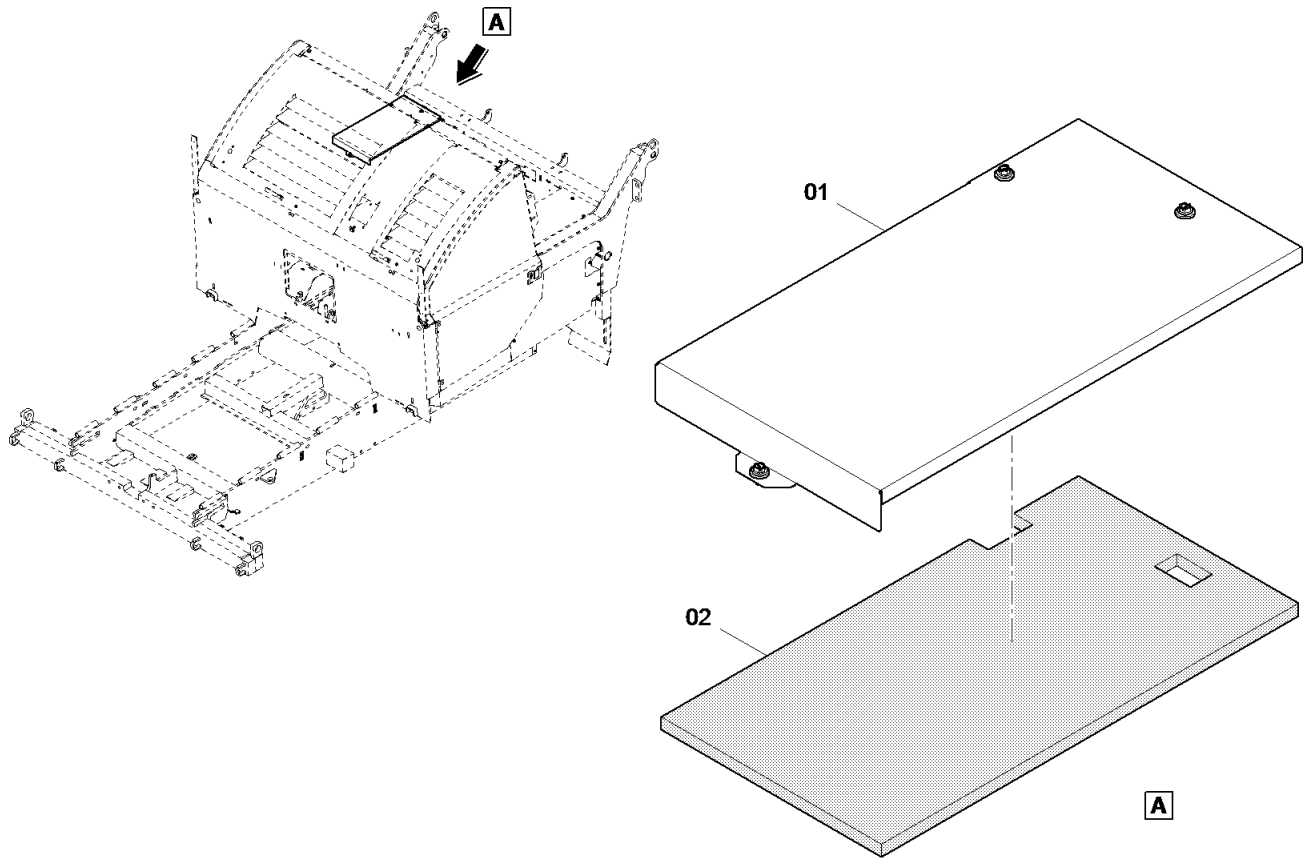
Item	Part No.	Name	Qty	L	C	SN INFO
15	40-4812081033	Counterbalance valve	1			
16	40-4812201171	Pressure compensator	1			
16.1	40-4812201172	Sealing kit	1			
17	40-4812201174	Directional spool valve	1			
17.1	40-4812201178	Screw kit	1			
17.2	40-4812201175	Sealing kit	1			
17.3	40-4812201180	Coil	1			
18	40-4812081038	Counterbalance valve	1			
22		Hydraulic block	1			
22.1	40-D969174205	Blanking plug	1			
22.2	40-4812201151	O-ring	3			
23	40-4812201579	Nozzle	1			
24	40-4812202460	Nozzle	1			

Refer to Parts Online for the most up to date information. The printed information might be outdated.

Thu Sep 29 05:31:52 UTC 2022

Item	Part No.	Name	Qty	L	C	SN INFO
15	40-0333310036	Schnorr-lock washer	7			
16	40-0333310045	Schnorr-lock washer	2			
17	40-0302127405	Washer	1			
18	40-0291118554	Hexagon nut	1			

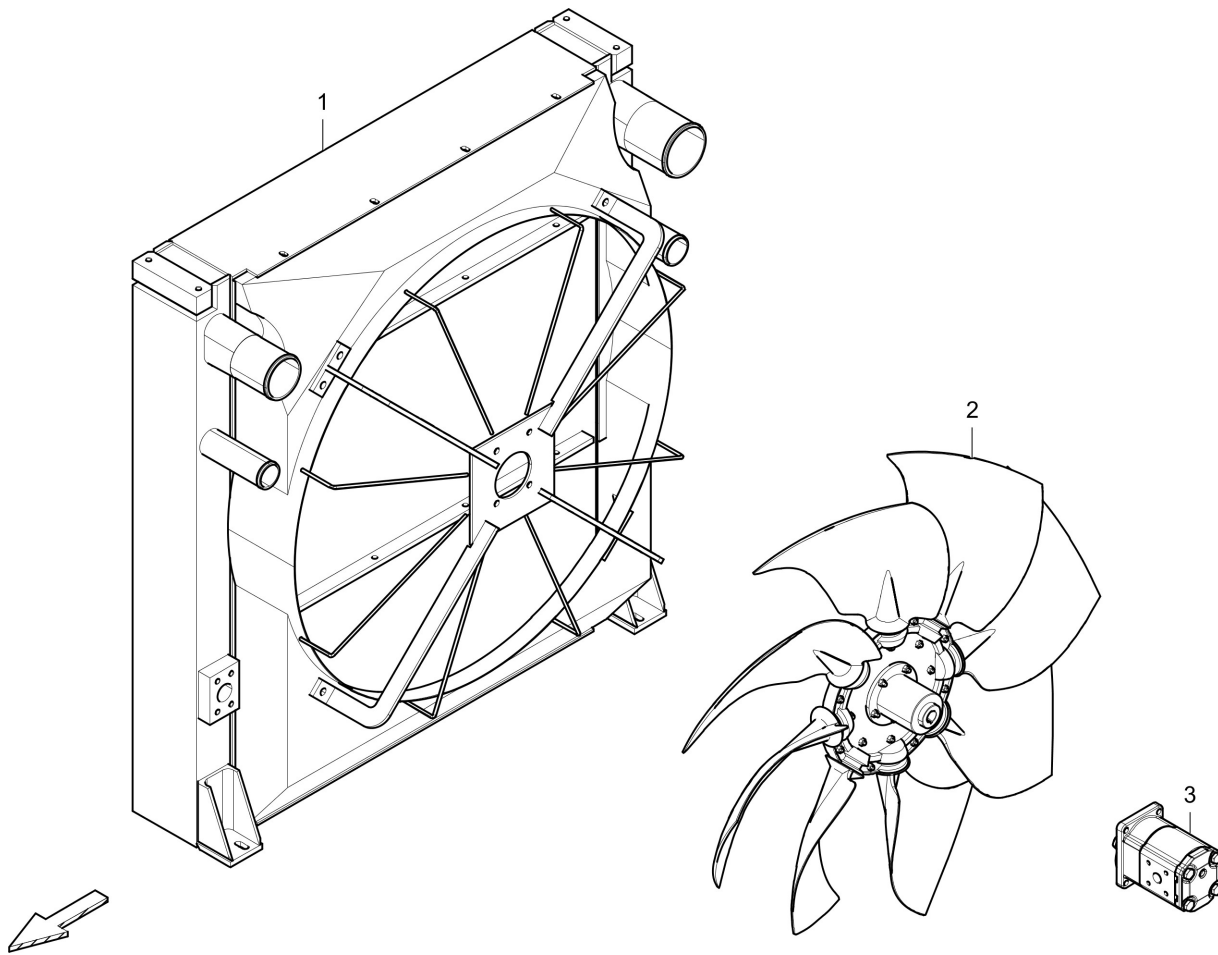
Cover, r.h., cpl. 40-4812226904 Cover, r.h., cpl.



Item	Part No.	Name	Qty	L	C	SN INFO
1	40-4812225707	Cover, r.h.	1			
2	40-4812225711	Insulating material	1			

Item	Part No.	Name	Qty	L	C	SN INFO
14	40-4812039248	Clamping	1			
15	40-0301232100	Plain washer	2			
16	40-0291118507	Nut	2			
17	40-5730015168	Hexagon head screw	2			
18	40-0291118802	Hexagon nut	4			
19	40-4812229029	Grating	1			
20	40-0301233500	Plain washer	4			
21	40-4812073609	Rope clamp	1			
22	40-4812034737	Clasp	2			
23	40-0226991529	Flat head screw	2			
24	40-4812040367	Locking bar	1			
25	40-0147132912	Hex bolt	2			
26	40-D937181123	Nut	1			
27	40-D977392034	Wire end ferrule	1			

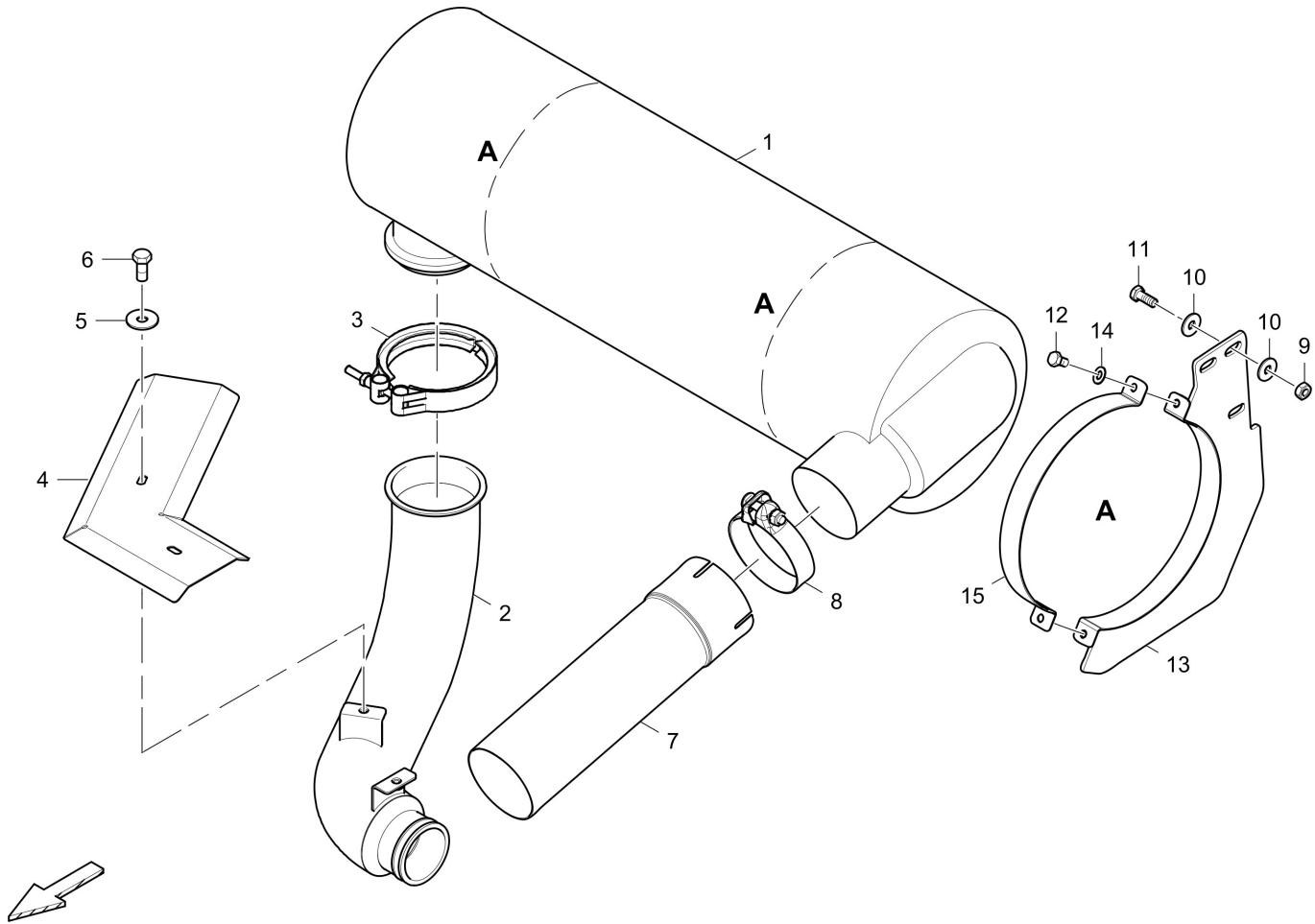
Combined cooler 40-4812010984 Combined



Item	Part No.	Name	Qty	L	C	SN INFO
1	40-4812008735	Combined cooler	1			
2	40-4812010976	Fan	1			
3	40-4812010473	Gear motor	1			

Refer to Parts Online for the most up to date information. The printed information might be outdated.

Thu Sep 29 05:32:08 UTC 2022

Muffler 40-4812030230 Muffler

Item	Part No.	Name	Qty	L	C	SN INFO
1	40-4812037622	Muffler	1			
1	40-4812208698	Muffler	1			Valid from sn G003587, 3595, 3605, 3606, 3607, 3609, 3621, 3624, 3632, 3633, 3661, 3668,...ff
2	40-4812034971	Connecting tube	1			
3	40-4812071216	Clamp	1			
4	40-4812035019	Heat shield	1			
5	40-0300013040	Flat washer	2			
6	40-0147132203	Hexagon head screw	2			
7	40-4812032446	Pipe	1			
8	40-4812078167	Pipe clamp	1			
9	40-0266211100	Nut hexagon	6			
10	40-D939515029	Washer	12			

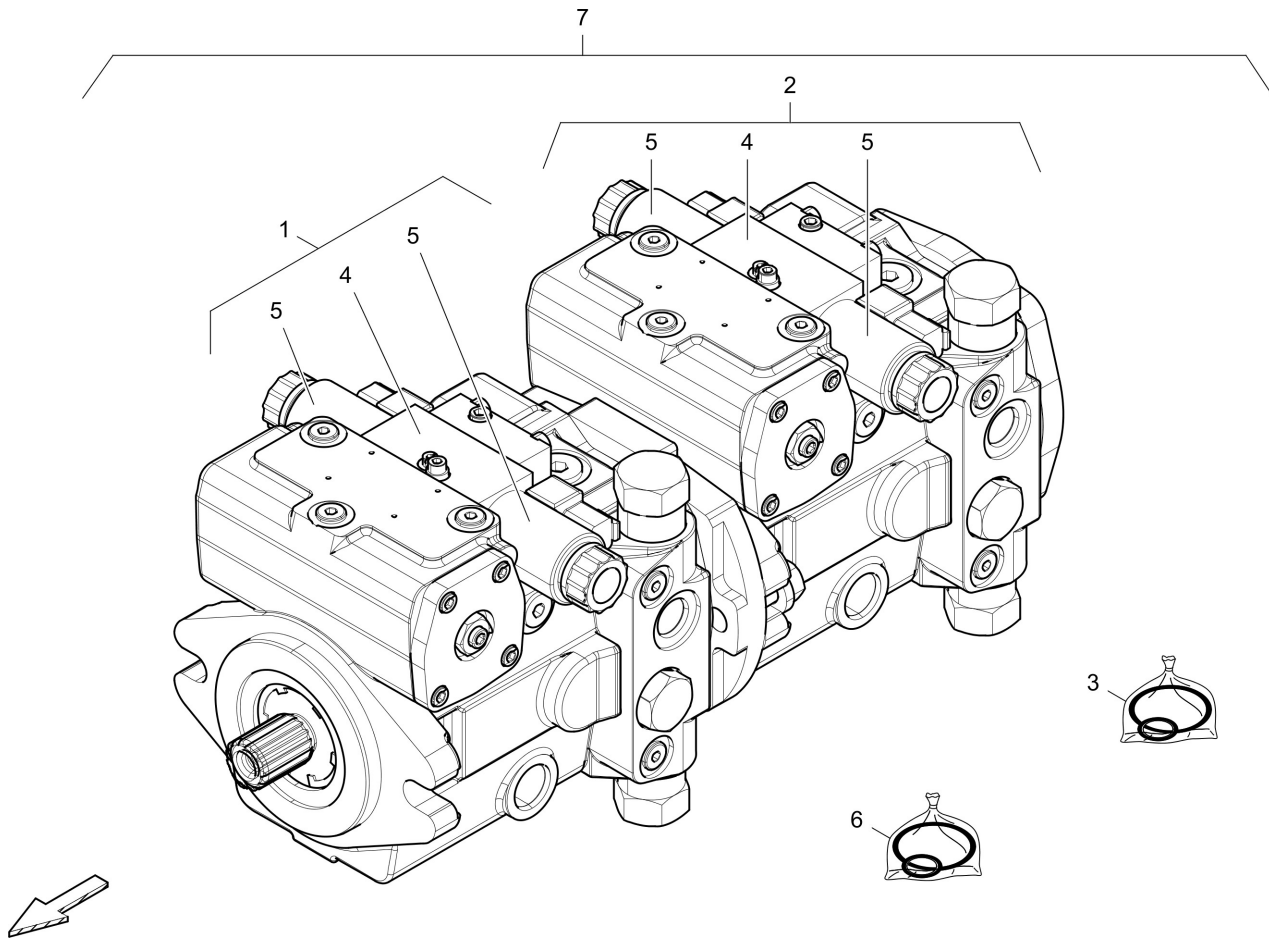
Refer to Parts Online for the most up to date information. The printed information might be outdated.

Thu Sep 29 05:32:11 UTC 2022

Item	Part No.	Name	Qty	L	C	SN INFO
13	40-D977477124	Socket shell	1			
14	40-D977477184	Plug	1			
14.1	40-D977477102	Socket shell	1			
14.2	40-D977478301	Socket contact	2			
14.3	40-D977478231	Sealing	2			
15	40-4812029218	Power-timer housing	1			
18	40-D977180602	Resistor	1			
24	40-D977180601	Resistor	1			
27	40-D977180624	Resistor	1			
28	40-D977180623	Resistor	1			
46	40-D977478232	Blind plug	3			
47	40-4812030987	Female contact	11			
48	40-4812029310	Plug contact	3			
49	40-D977478246	Dummy plug	1			
50	40-D977466101	Plug contact	1			
51	40-D977466137	Key	1			
52	40-D977466157	Plug contact	4			
53	40-D977397117	Receptacle for tabs	2			
54	40-D977478301	Socket contact	3			
55	40-D977418051	Protection cap	1			
56	40-4812025758	Single wire sealing	3			
57	40-D977466144	Socket contact	1			
58	40-D977466156	Plug wedge lock	1			
59	40-D977466106	Strain relief	1			
60	40-D977478231	Sealing	3			
61	40-4812025757	Female contact	3			

Item	Part No.	Name	Qty	L	C	SN INFO
46	40-4812036096	Pipe clamp	1			
47	40-4812036098	Seal ring	3			
48	40-4812036099	Seal ring	2			
49	40-4812036100	Tube pole cap	2			
50	40-4812036101	Stud elbow	1			

Pump 40-4812018529 Pump

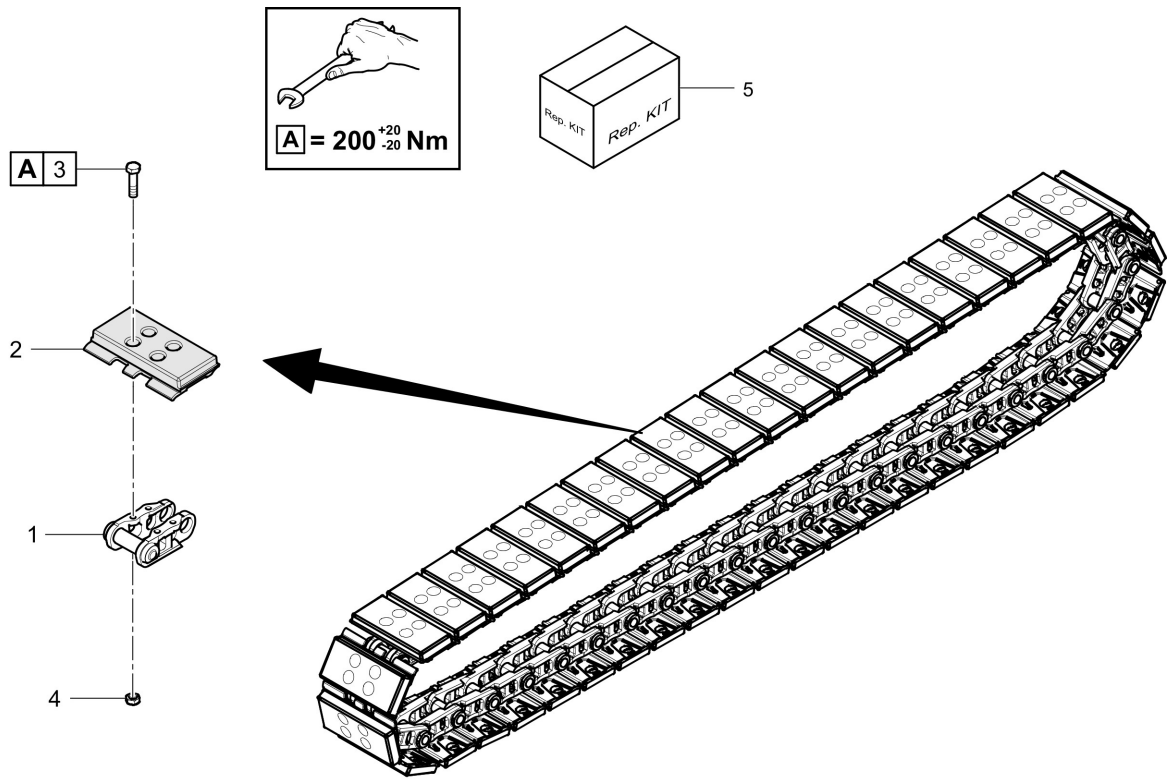


Item	Part No.	Name	Qty	L	C	SN INFO
1	40-4812019511	Pump	1			
2	40-4812019514	Pump	1			
3	40-D967536874	Seal kit	1			
4	40-D967502040	Modulation control	1			
5	40-D967610541	Proportional solenoid	1			
6	40-D967536871	Seal kit, control module	1			
7	40-4812018529	Pump	1			

Refer to Parts Online for the most up to date information. The printed information might be outdated.

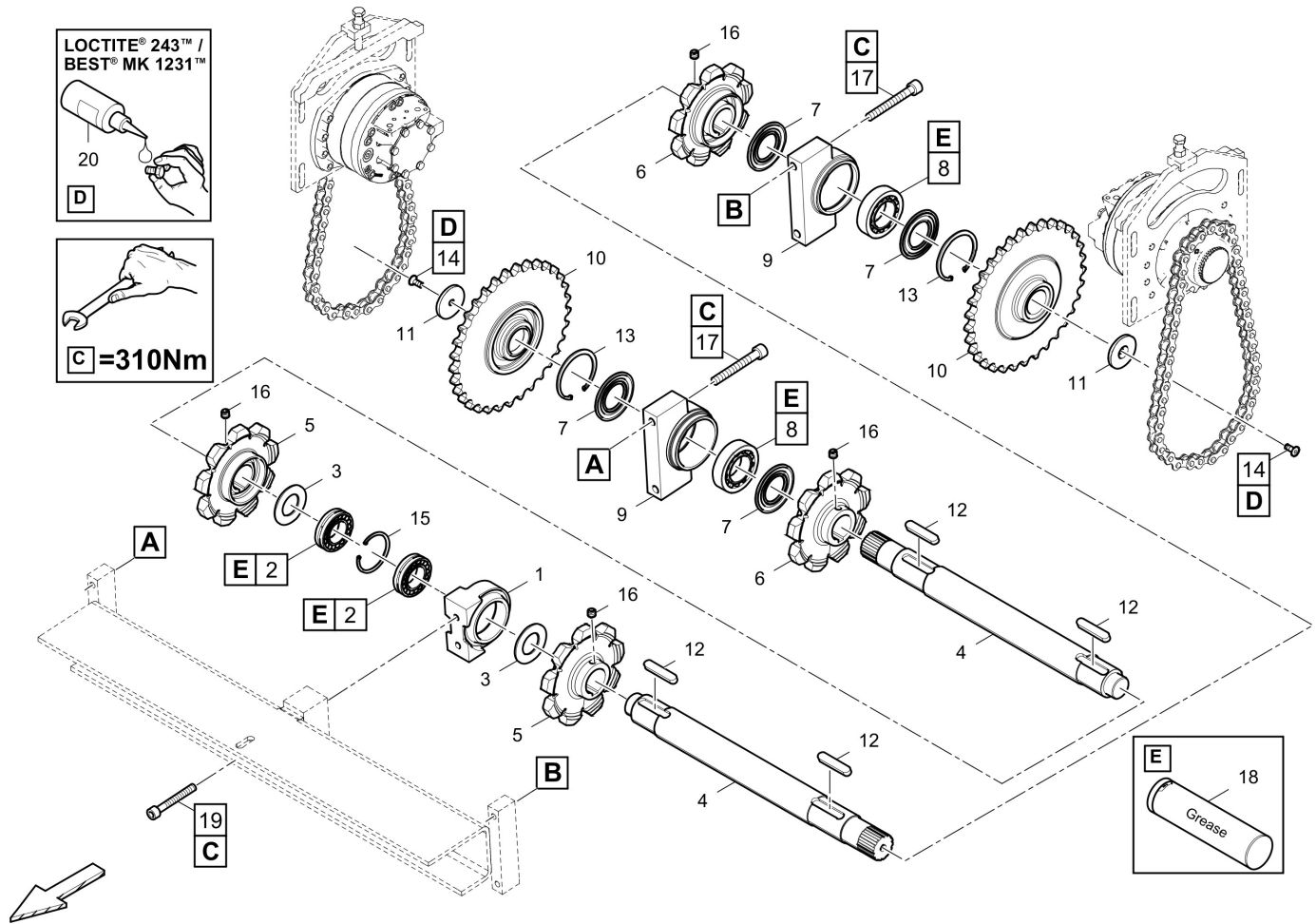
Thu Sep 29 05:32:22 UTC 2022

Track chain 40-4812238822 Track chain



Item	Part No.	Name	Qty	L	C	SN INFO
1	40-4812043359	Chain w/o rubberplates	1			
2	40-4812238818	Rubber baseplate	46			
3	40-4812034960	Screw	184			
4	40-4812031791	Nut	184			
5	40-4812010288	Repair kit chain	1			

Conveyor drive 40-4812238489 Conveyor drive

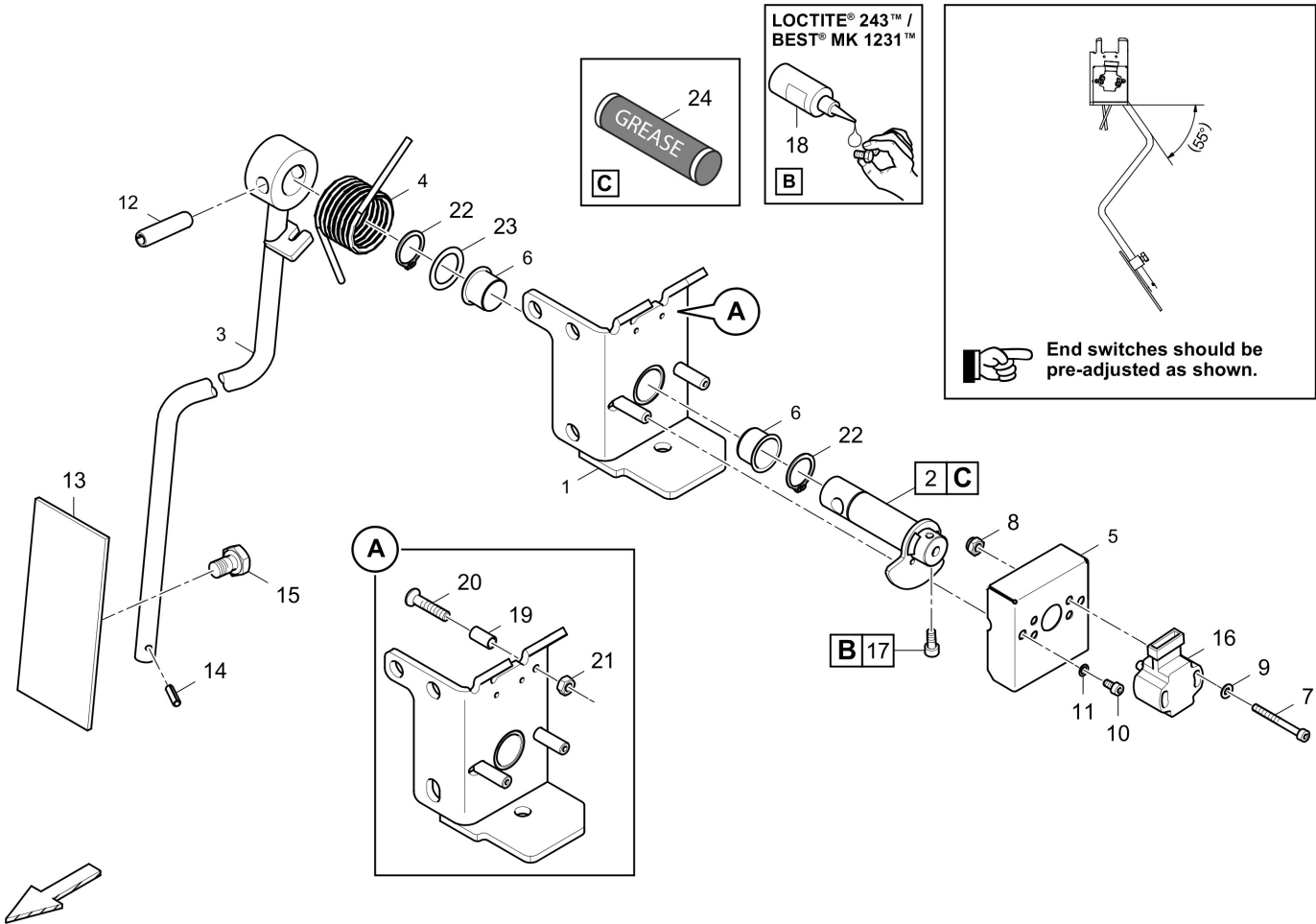


Item	Part No.	Name	Qty	L	C	SN INFO
1	40-4812026906	Support block	1			
2	40-D935011763	Bearing	2			
3	40-D932580716	Nilosring	2			
4	40-4812026897	Drive shaft	2			
5	40-4812238067	Sprocket	2			
6	40-4812238061	Sprocket	2			
7	40-D932580860	Nilosring	4			
8	40-4749540001	Bearing	2			
9	40-4812026908	Support block	2			
10	40-4812027420	Sprocket	2			
11	40-4812026723	Cover	2			
12	40-D931701638	Feather key	4			
13	40-D936032112	Circlip	2			

Refer to Parts Online for the most up to date information. The printed information might be outdated.

Thu Sep 29 05:32:32 UTC 2022

Conveyor limit switch SPS cpl, I.h. 40-4812215299 Conveyor limit switch SPS cpl, I.h.

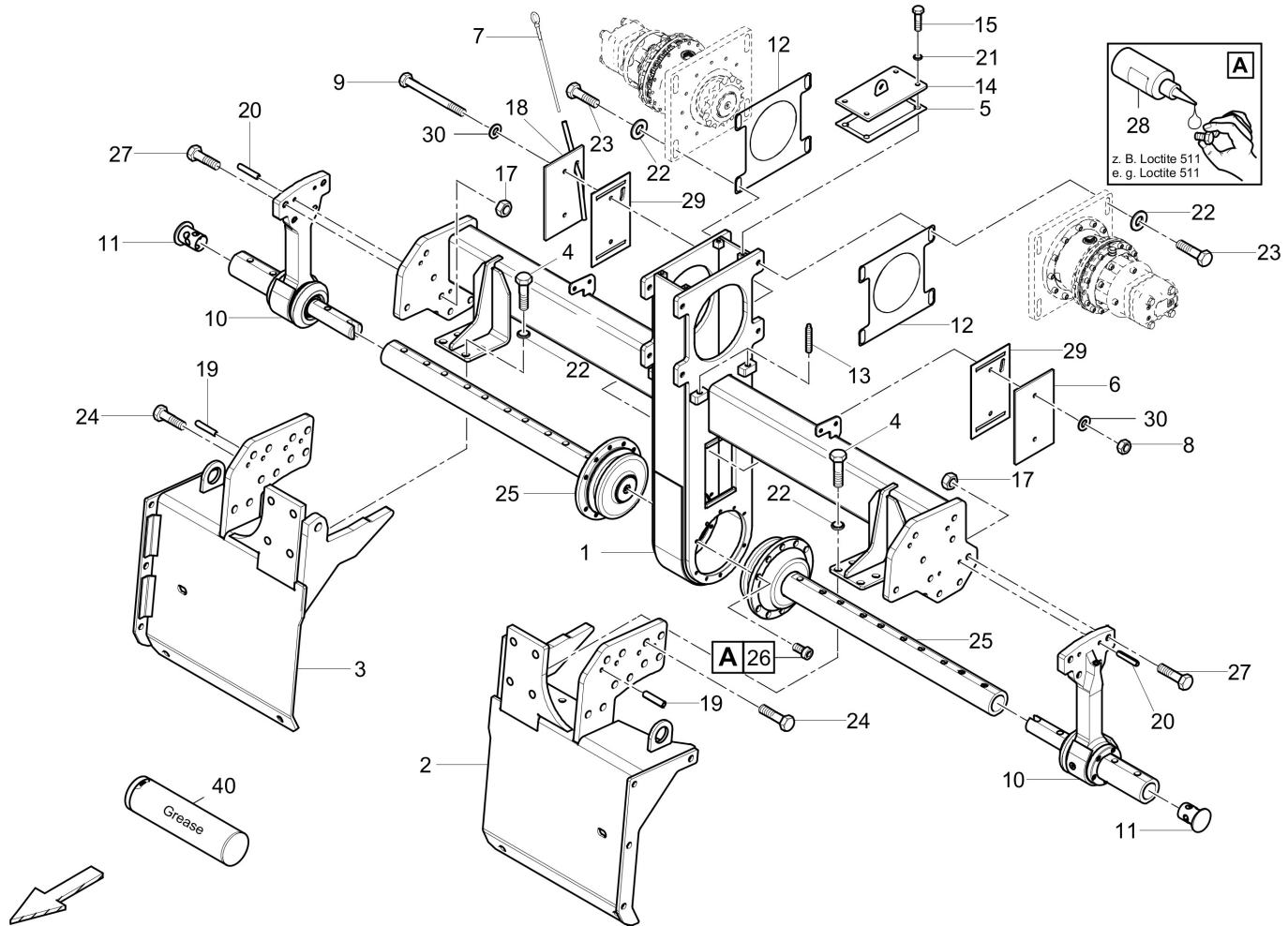


Item	Part No.	Name	Qty	L	C	SN INFO
1	40-4812229128	Retainer	1			
2	40-4812215272	Shifting shaft	1			
3	40-4812230197	Lever	1			
4	40-4812041492	Spring	1			
5	40-4812014693	Cover	1			
6	40-4812014318	Friction bearing	2			
7	40-D937930175	Cylinder screw	2			
8	40-0291118503	Hexagon nut	2			
9	40-0301231800	Flat washer	2			
10	40-0211116903	Screw	2			
11	40-4749900492	Shake-proof washer	2			
12	40-D931501324	Dowel pin	1			
13	40-4812033791	Stop plate	1			

Refer to Parts Online for the most up to date information. The printed information might be outdated.

Thu Sep 29 05:32:35 UTC 2022

Auger box 40-4812232996 Auger box

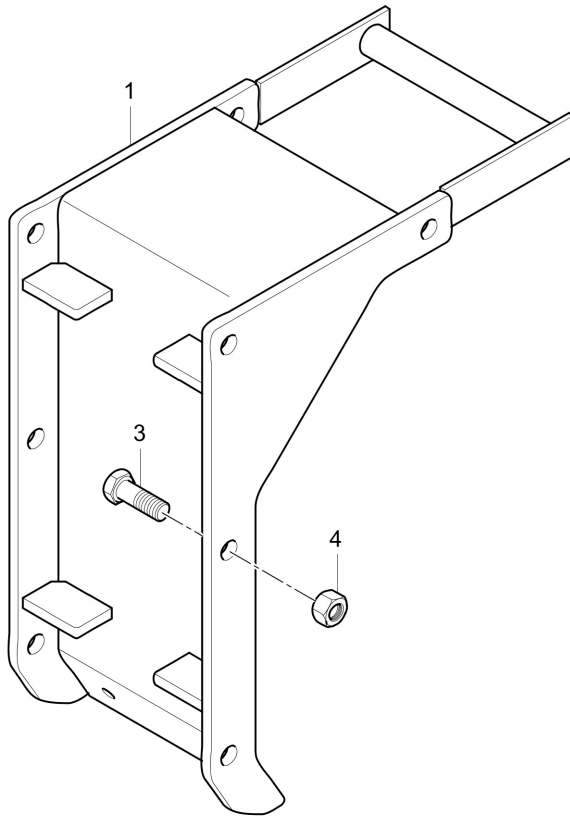


Item	Part No.	Name	Qty	L	C	SN INFO
1	40-4812027787	Adjustment	1			
2	40-4812233008	Suspension	1			
3	40-4812233009	Suspension	1			
4	40-5540084600	Hexagon head screw	8			
5	40-4812027538	Sealing	1			
6	40-4730000369	Side part	1			
7	40-D110080101	Dipstick	1			
8	40-5541396800	Hexagon nut	2			
9	40-4749900429	Screw	2			
10	40-4812026736	Outer support	2			
11	40-4730005778	Plug	2			
12	40-4812027539	Sealing	2			
13	40-0196155317	Threaded pin	4			

Refer to Parts Online for the most up to date information. The printed information might be outdated.

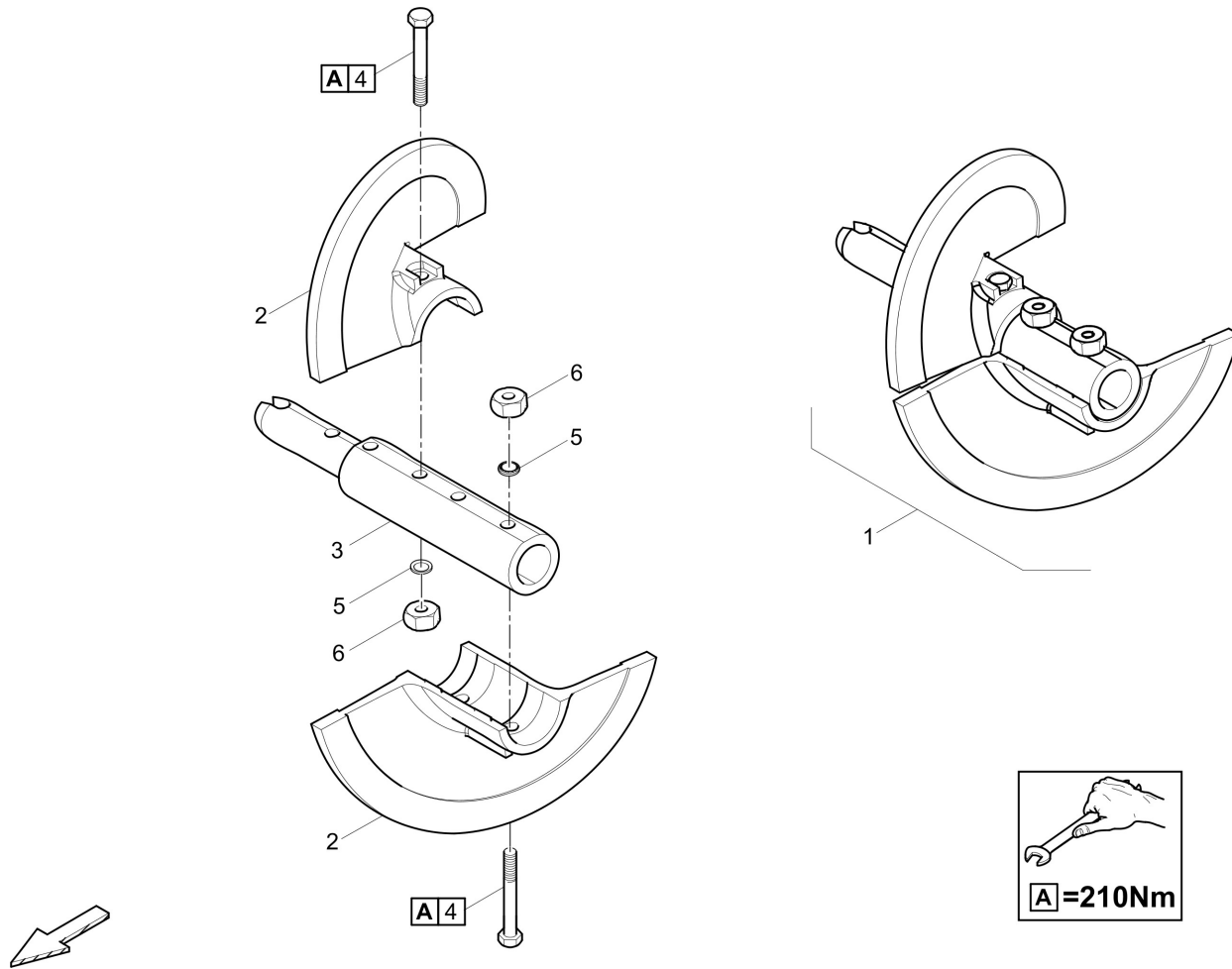
Thu Sep 29 05:32:39 UTC 2022

Material tunnel 40-4812045416 Material tunnel, 230mm



Item	Part No.	Name	Qty	L	C	SN INFO
1	40-4812045417	Material tunnel	1			
3	40-0147147803	Hexagon bolt	4			
4	40-5730007616	Hexagon nut	4			

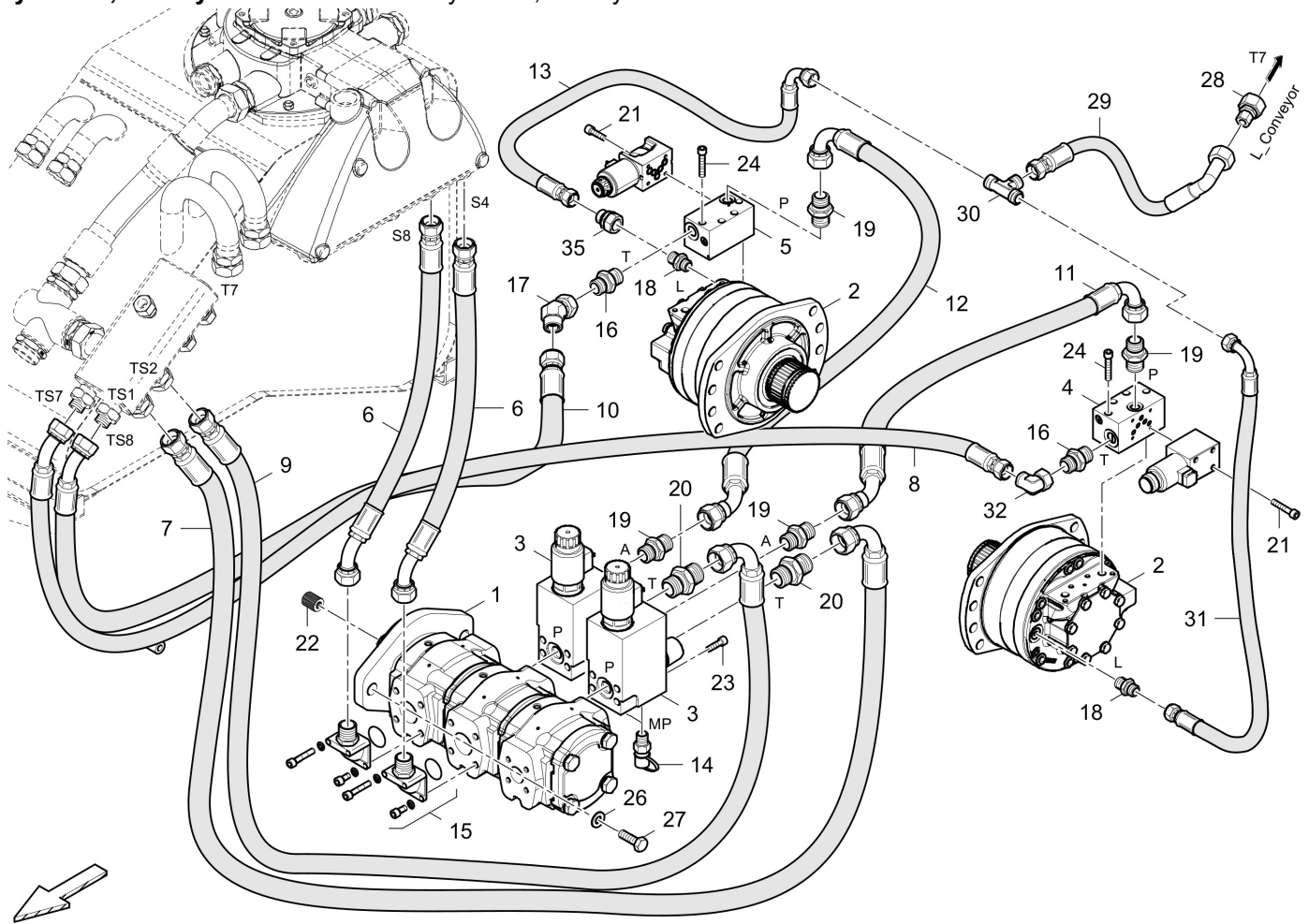
Auger extension, l.h. L320mm 40-4720000140 Auger extension, l.h. L:320mm



Item	Part No.	Name	Qty	L	C	SN INFO
1	40-4720000140	Auger shaft extension assy. 320 mm l.h./lks.	1			
2	40-4738000978	Auger wing, l.h.	2			
3	40-4730001393	Auger extension 320 mm	1			
4	40-0147110915	Hexagon head screw	4			
5	40-0333310042	Schnorr-lock washer	4			
6	40-4749901556	Nut	4			

Item	Part No.	Name	Qty	L	C	SN INFO
10	40-4812072443	Ganged valve support	1			
11	40-4812007673	Levelling cylinder	1			
12	40-4812007674	Levelling cylinder with sensor	1			
13	40-4812201866	Hydraulic, conveyor reversable	1			
14	40-4812019591	Hydraulic, profile adjustment	1			
15	40-4812019604	Hydraulic, Hopper with front flap	1			
16	40-4812201383	Hydraulic, partial flow filter	1			
17	40-4812019592	Hydraulic, push roller	1			
18	40-4812019595	Hydraulic, operation platform	1			
19	40-4812019596	Hydraulic, fume control	1			
20	40-4812019611	Hydraulic, side shield	1			

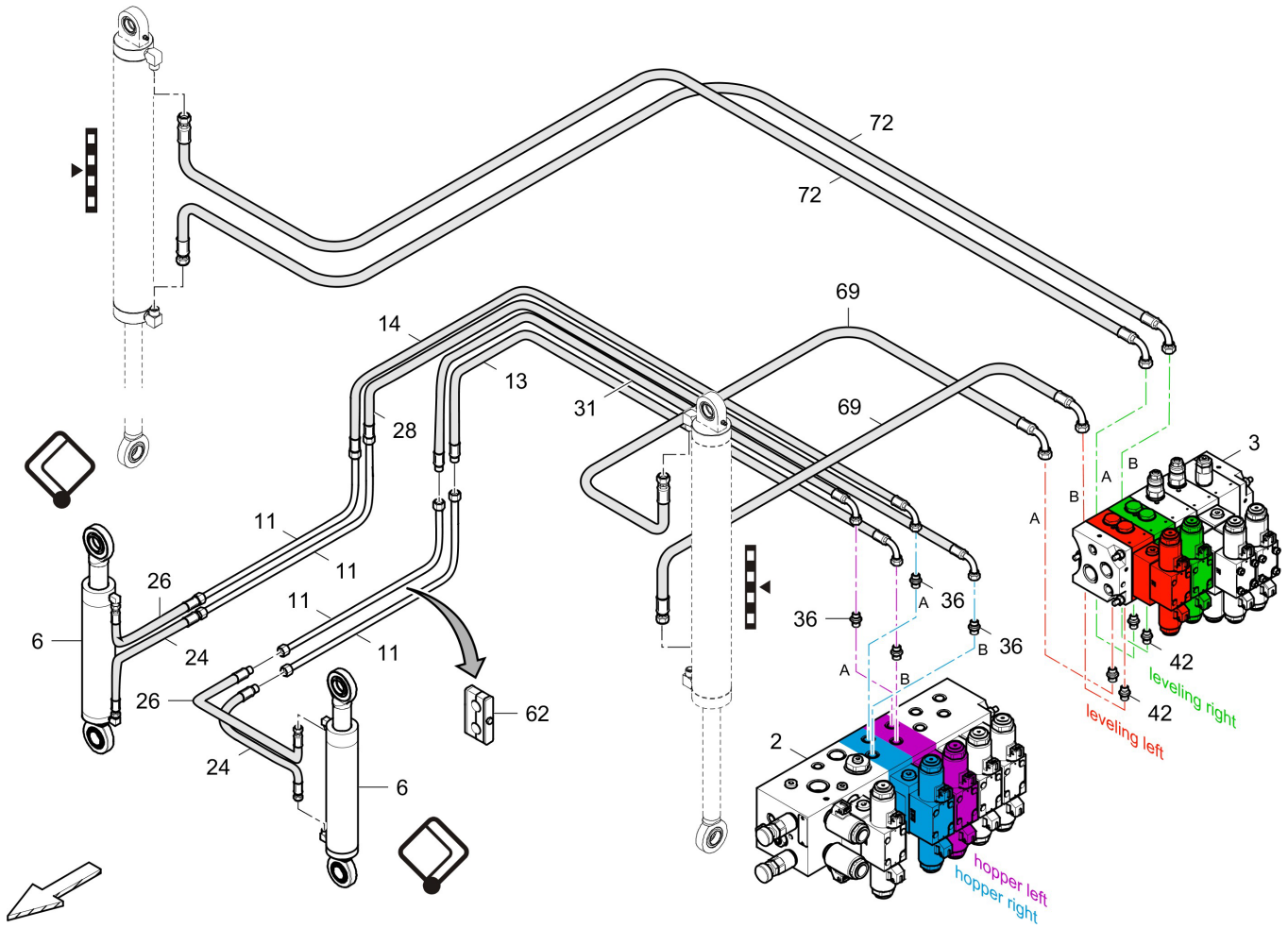
Hydraulic, conveyor 40-4812201362 Hydraulic, conveyor



Item	Part No.	Name	Qty	L	C	SN INFO
1	40-4812010020	Gear pump	1			
2	40-4812026521	Radial piston motor	2			
2.1	40-4812040231	Seal kit	2			
3	40-4812010000	Flow control valve	2			
4	40-4812010974	Connecting plate, l.h.	1			
5	40-4812010925	Connecting plate, r.h.	1			
6	40-4812032571	Hose	2			
7	40-4812032591	Hose	1			
8	40-4812032589	Hose	1			
9	40-4812032590	Hose	1			
10	40-4812202444	Hose	1			
11	40-4812037716	Hose	1			
12	40-4812032592	Hose	1			

Refer to Parts Online for the most up to date information. The printed information might be outdated.

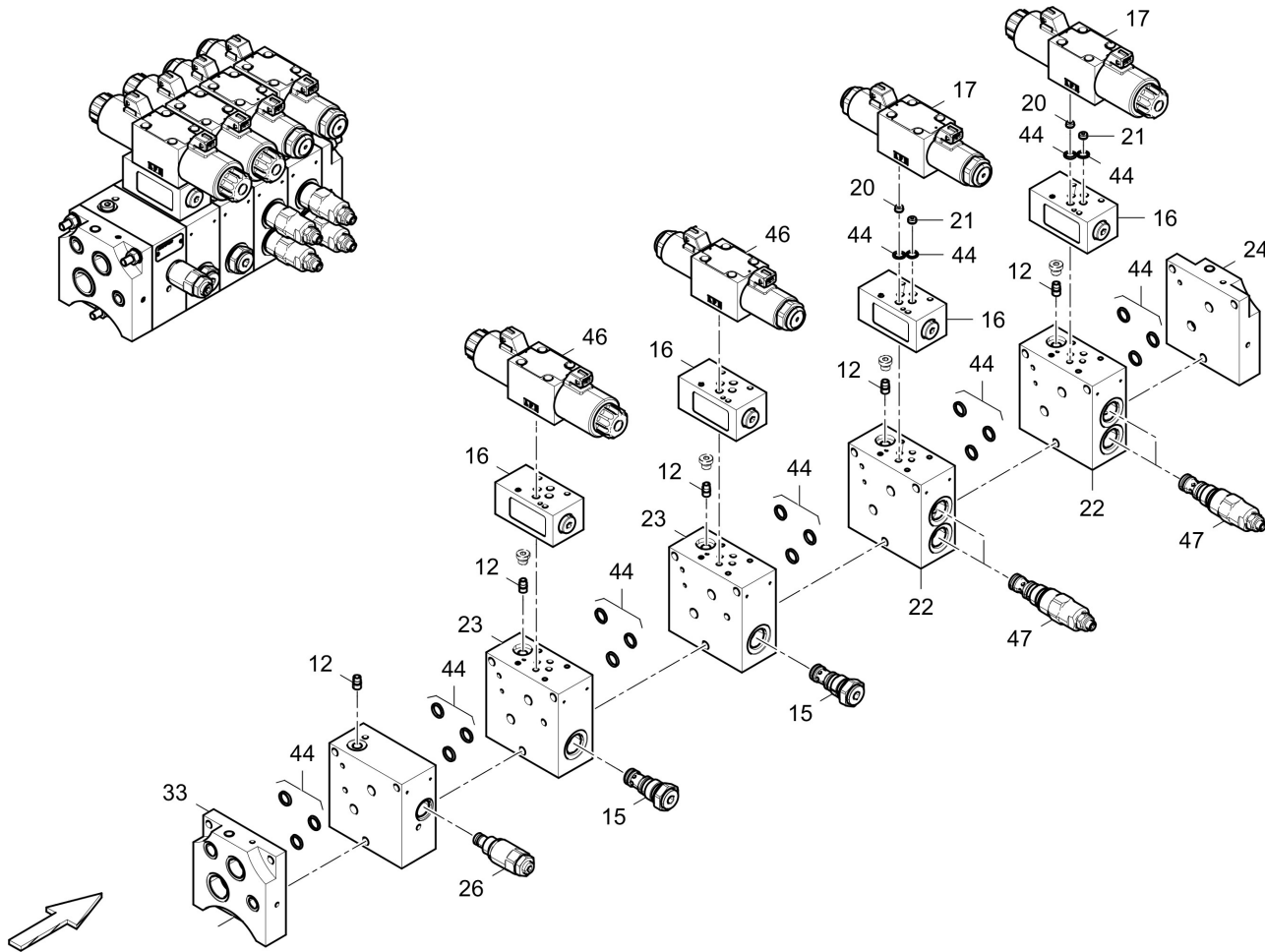
Thu Sep 29 05:32:51 UTC 2022



Refer to Parts Online for the most up to date information. The printed information might be outdated.

Thu Sep 29 05:32:53 UTC 2022

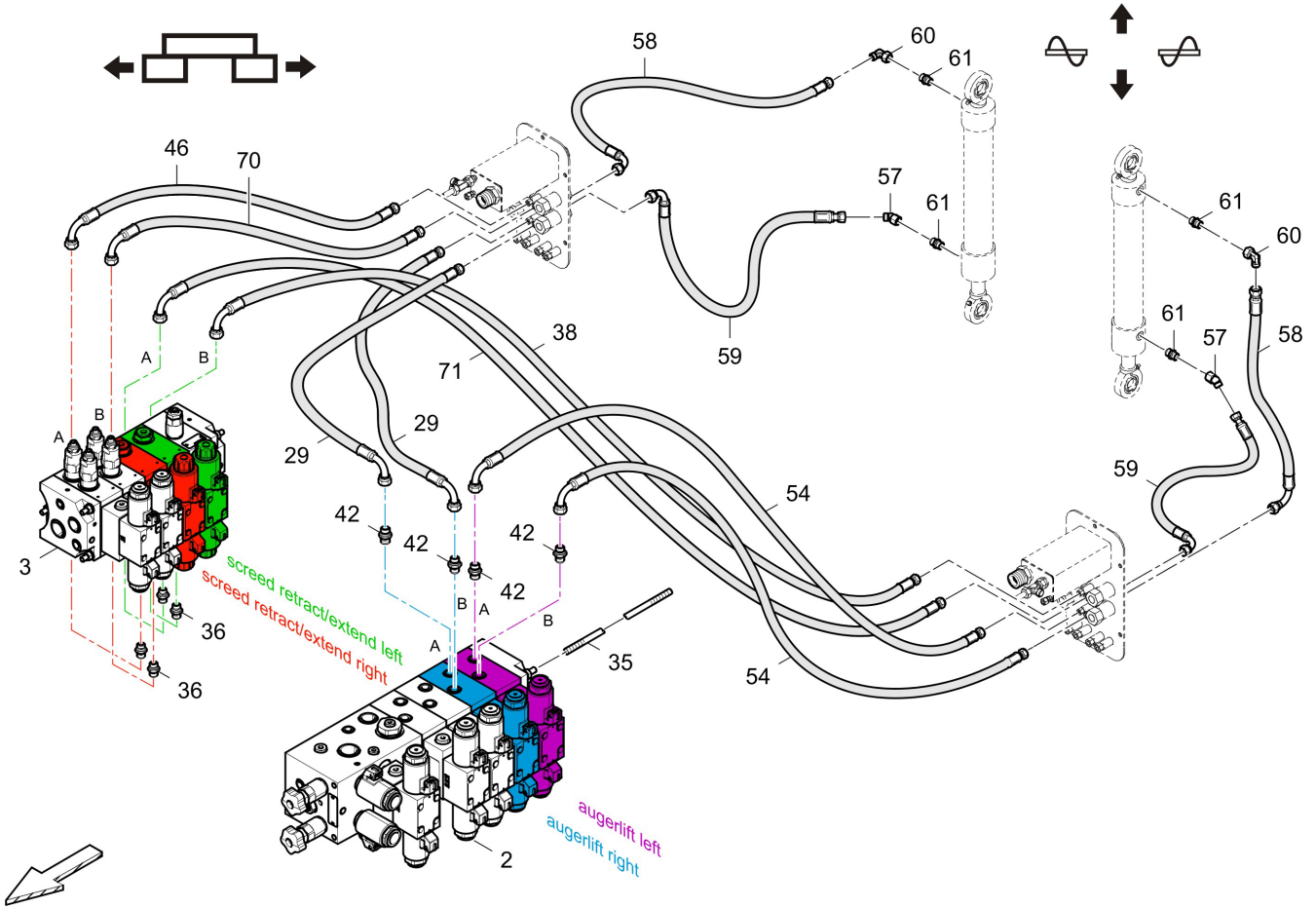
Control block 40-4812080976 Control block



Item	Part No.	Name	Qty	L	C	SN INFO
12	40-4812201164	Non return valve	1			
15	40-4812081043	Non return valve	1			
16	40-4812201171	Pressure compensator	1			
16.1	40-4812201172	Sealing kit	1			
17	40-4812201174	Directional spool valve	1			
17.1	40-4812201178	Screw kit	1			
17.2	40-4812201175	Sealing kit	1			
17.3	40-4812201180	Coil	1			
20	40-4812201582	Nozzle	1			
21	40-4812201587	Nozzle	1			
22		Hydraulic block	1			
22.1	40-D969174205	Blanking plug	1			
22.2	40-4812201151	O-ring	3			

Refer to Parts Online for the most up to date information. The printed information might be outdated.

Thu Sep 29 05:32:56 UTC 2022

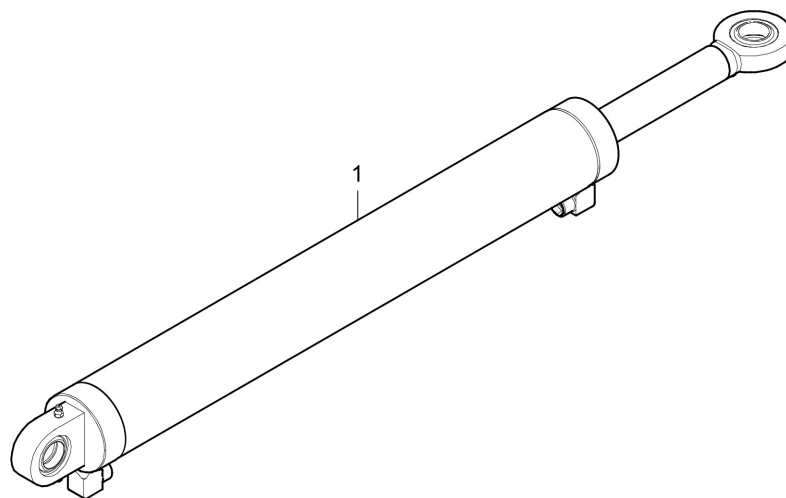


Item	Part No.	Name	Qty	L	C	SN INFO
1	40-4812017488	Gear pump				
1.1	40-4812019280	Gear pump	1			
2	40-4812075451	Control block (Basic block w/o options)	1		Full equipped block with all options has to be requested separately	

Refer to Parts Online for the most up to date information. The printed information might be outdated.

Thu Sep 29 05:32:59 UTC 2022

Leveling cylinder Leveling cylinder standard



Item	Part No.	Name	Qty	L	C	SN INFO
1		Hydraulic cylinder w/o Sensor	1			
1.1	40-4812045267	Hydraulic cylinder	2		Not Valid	
1.1.1	40-4812216206	Seal kit	1			
1.2	40-4812045942	Leveling cylinder	2			Valid from sn G000981, ff
1.2.1	40-4812036886	Seal kit	1			

Refer to Parts Online for the most up to date information. The printed information might be outdated.

Thu Sep 29 05:33:03 UTC 2022

CLICK HERE TO **DOWNLOAD** THE COMPLETE MANUAL

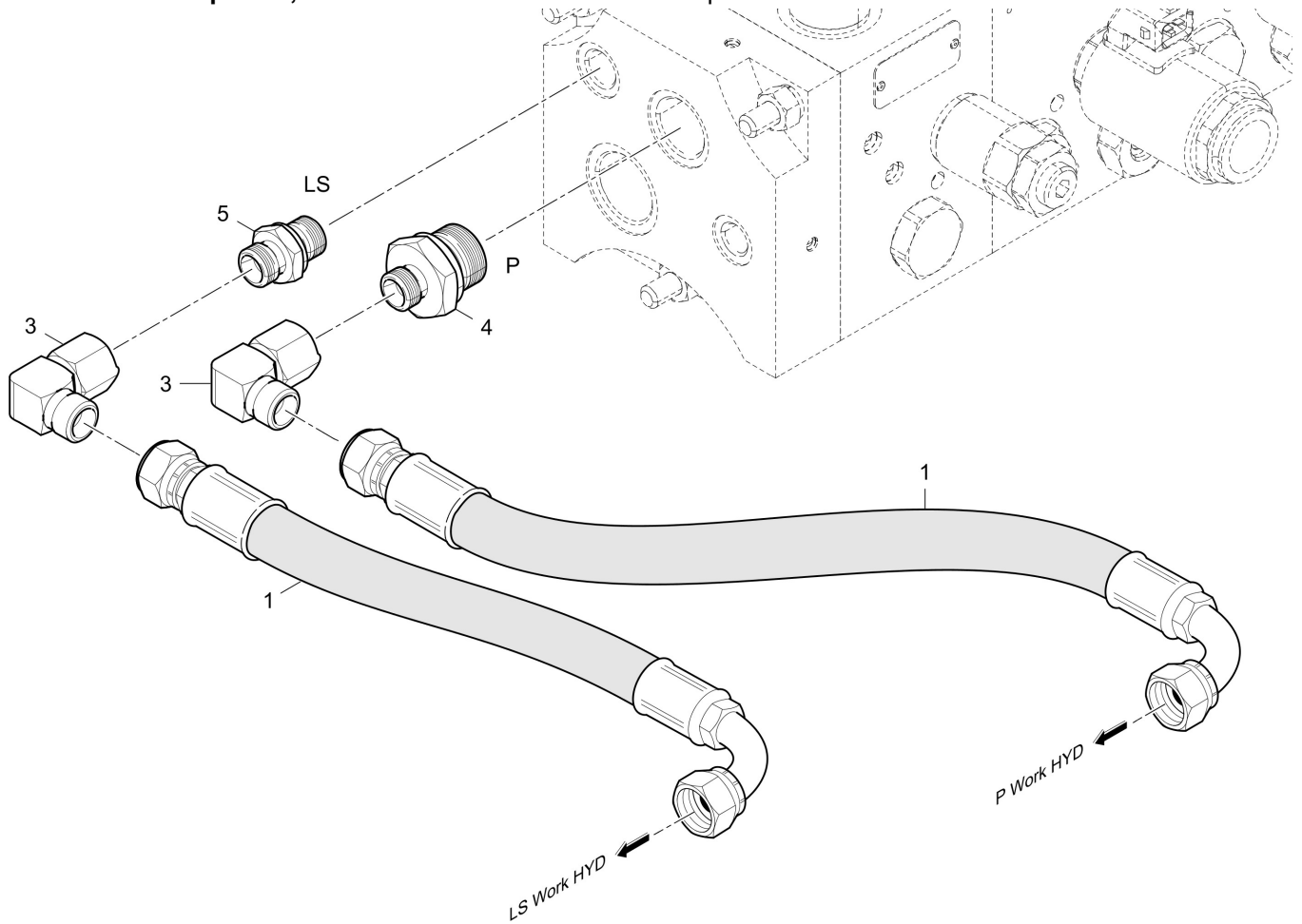
- Thank you very much for reading the preview of the manual.
- You can download the complete manual from: www.heydownloads.com by clicking the link below



- Please note: If there is no response to CLICKING the link, please download this PDF first and then click on it.

CLICK HERE TO **DOWNLOAD** THE COMPLETE MANUAL

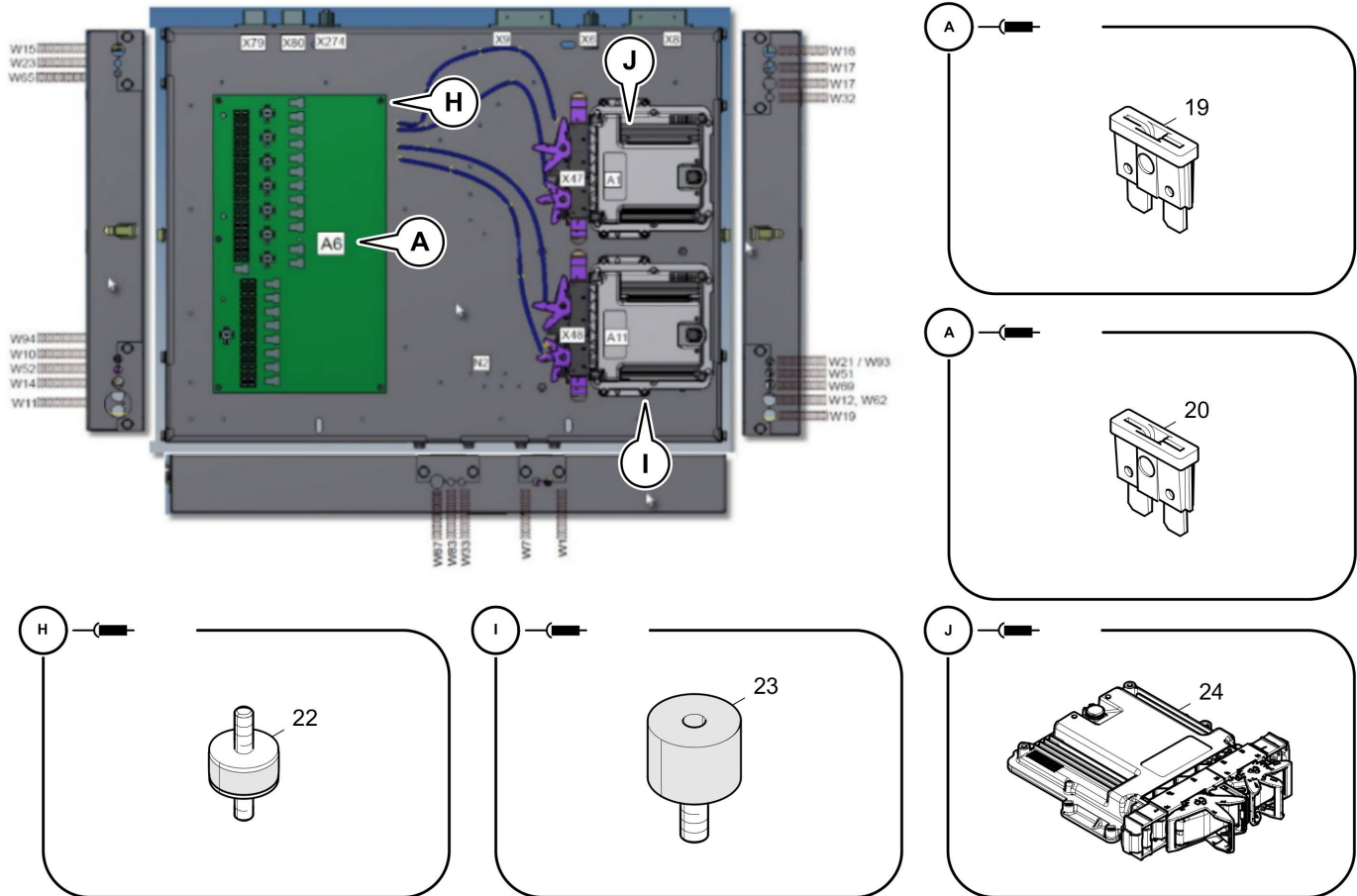
40-4812072023 Hose packet, screed THE 40-4812072023 Hose packet



Item	Part No.	Name	Qty	L	C	SN INFO
1	40-4812072058	Hose	2			
3	40-D961917006	Elbow socket	2			
4	40-D961934204	Male connector	1			
5	40-D961935234	Male connector	1			

Refer to Parts Online for the most up to date information. The printed information might be outdated.

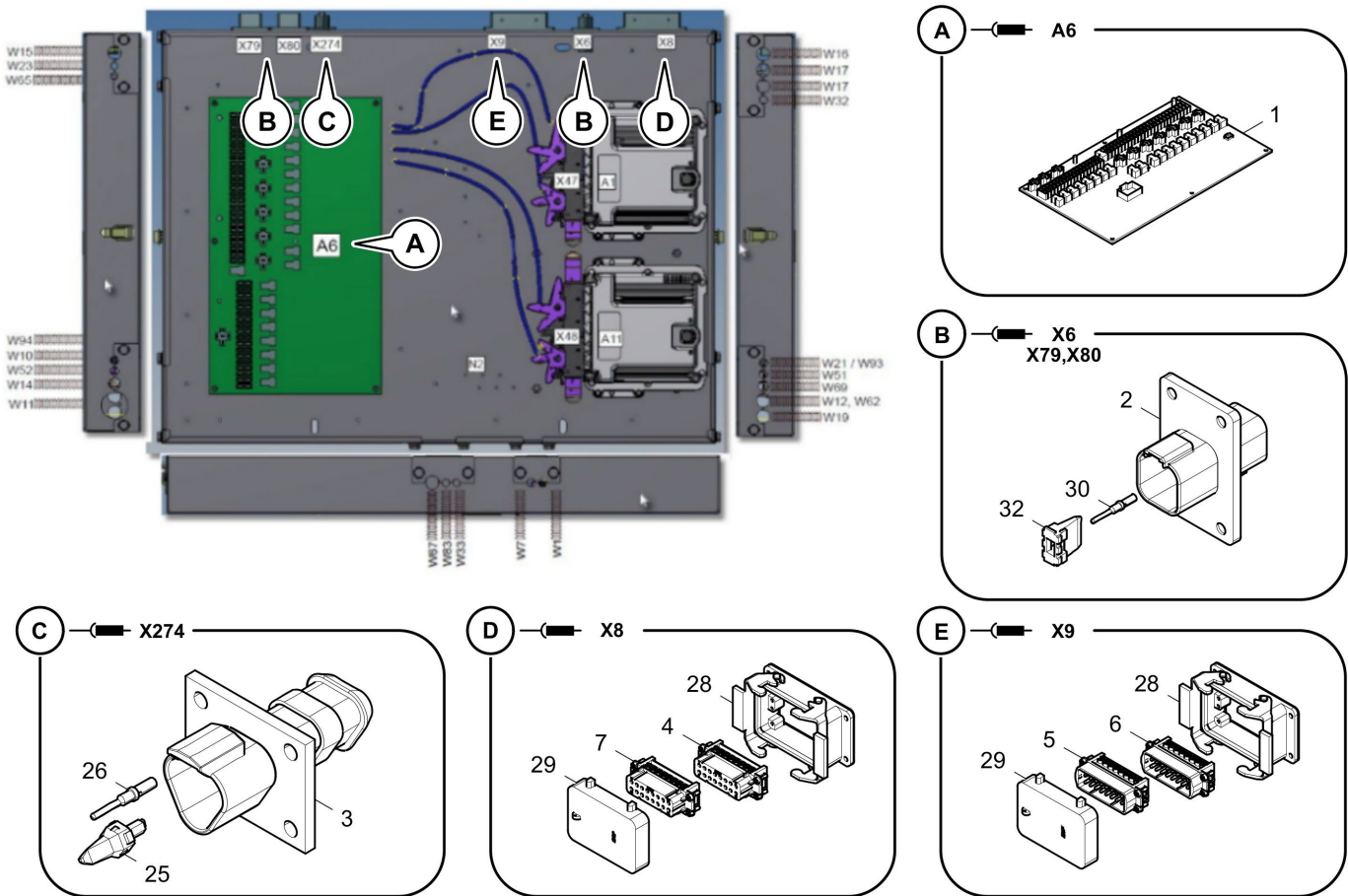
Thu Sep 29 05:33:07 UTC 2022



Refer to Parts Online for the most up to date information. The printed information might be outdated.

Thu Sep 29 05:33:12 UTC 2022

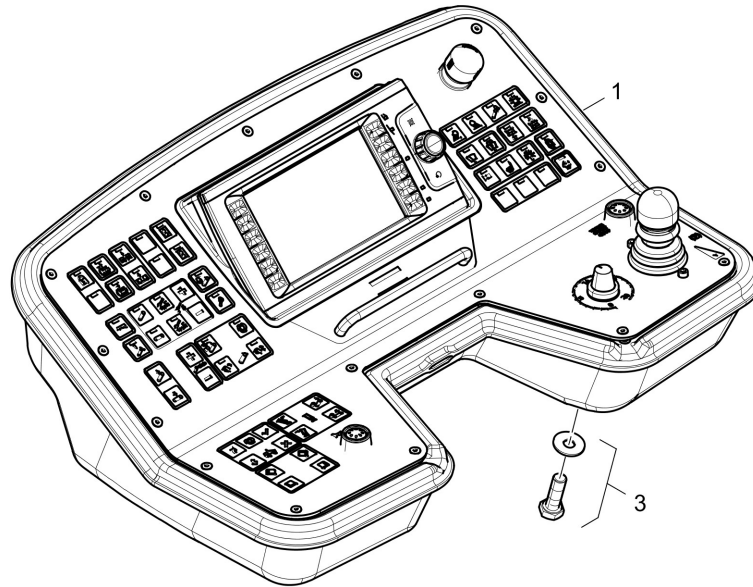
Junction box 40-4812077018 Junction box



Refer to Parts Online for the most up to date information. The printed information might be outdated.

Thu Sep 29 05:33:16 UTC 2022

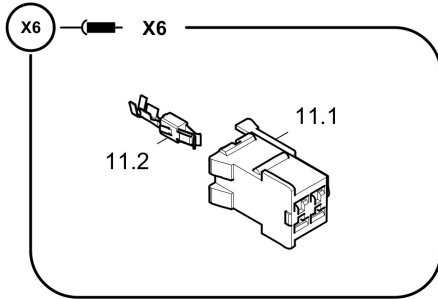
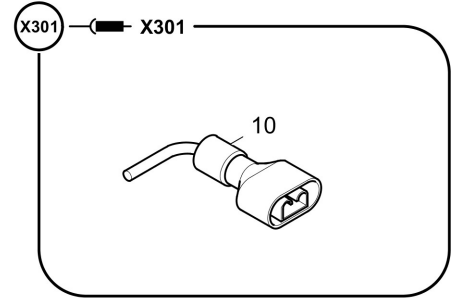
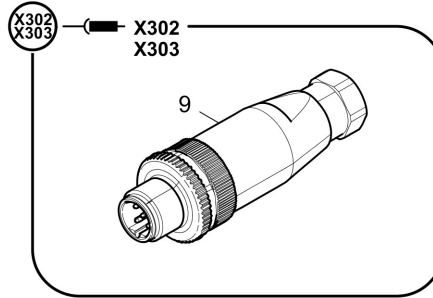
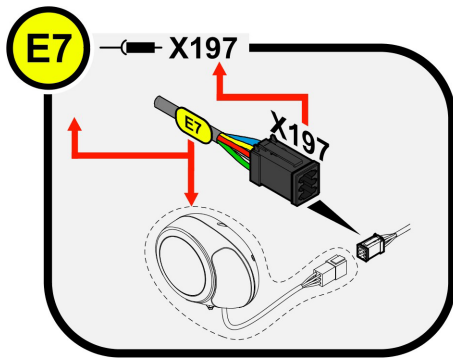
Control unit 40-4812217017 Control



Item	Part No.	Name	Qty	L	C	SN INFO
1	40-4812216996	Control unit	1		Repl aced by 481 207 652 2	
1	40-4812076522	Control unit	1			Valid from s/n G003319, 3587, 3591, 3607,3610, 3615, 3618, 3622, ff
3	40-4812074483	Fixing- a. montage parts	1			

Refer to Parts Online for the most up to date information. The printed information might be outdated.

Thu Sep 29 05:33:19 UTC 2022

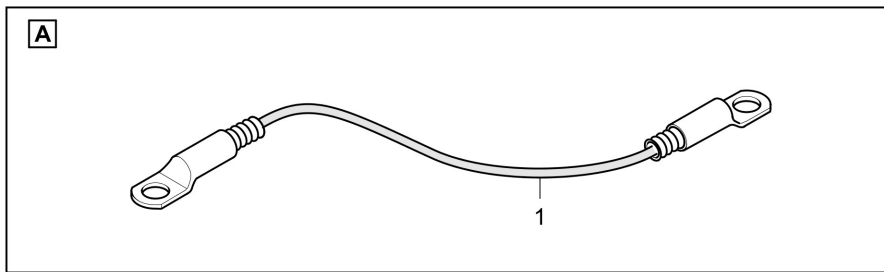
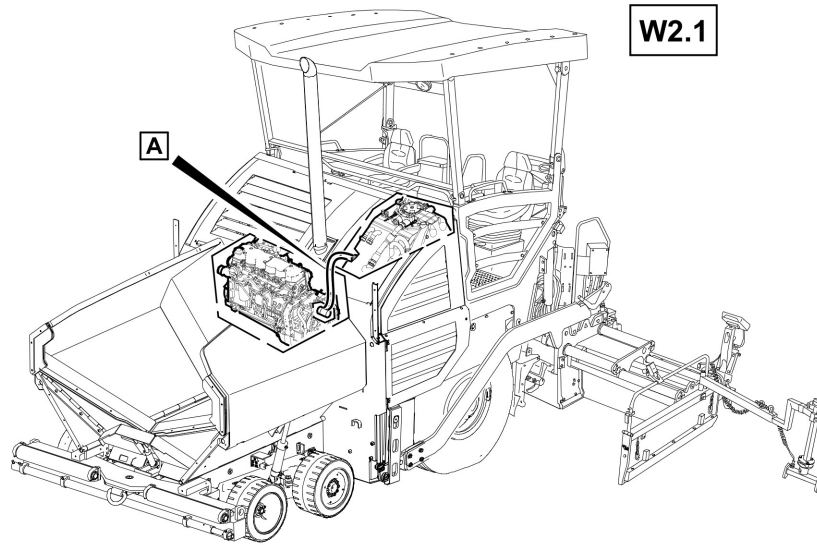


Item	Part No.	Name	Qty	L	C	SN INFO
1	40-4812016936	Socket shell	1			
1.1	40-4812016179	Socket shell	1			
1.2	40-4812016181	Socket contact	12			
1.3	40-4812016186	Dummy plug	20			
2	40-4812035915	Socket	1			
2.1	40-4812029309	Connector housing	1			
2.2	40-4812029310	Plug contact	6			
3	40-4812035503	Power-timer housing	1			
3.1	40-4812029619	Power-timer housing	1			
3.2	40-4812030987	Female contact	21			
4	40-4812035607	Socket shell	1			
4.1	40-D977479755	Socket shell	1			
4.2	40-4812028609	Key	1			
4.4	40-D977466143	Female contact	6			

Refer to Parts Online for the most up to date information. The printed information might be outdated.

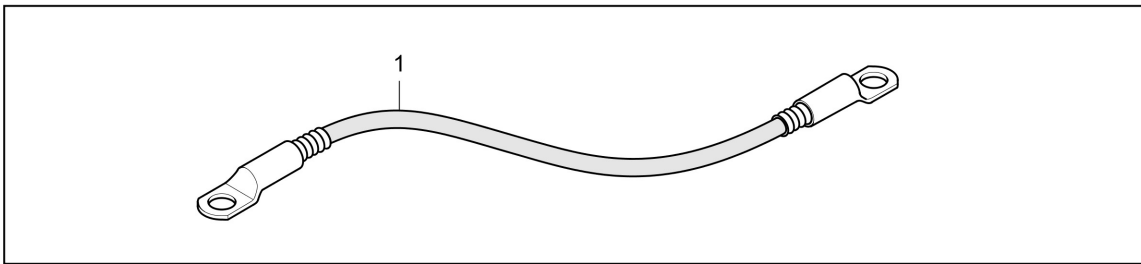
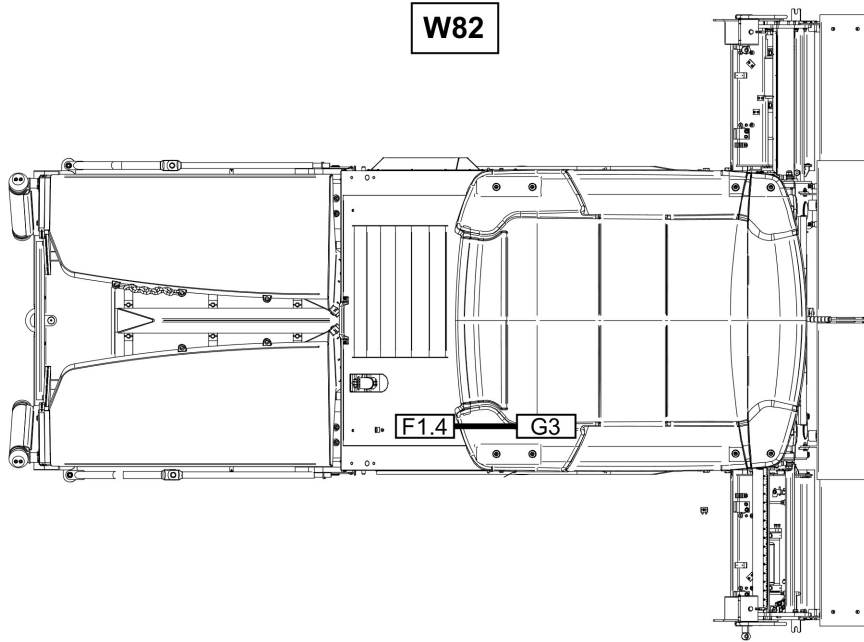
Thu Sep 29 05:33:24 UTC 2022

Cable 40-4812201348 Cable W2.1



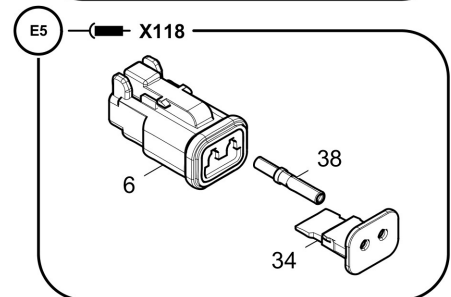
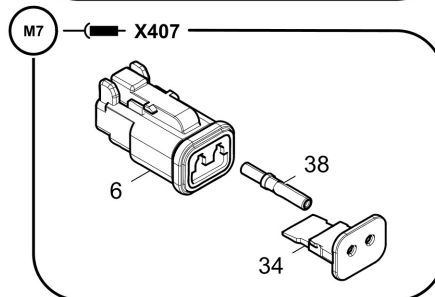
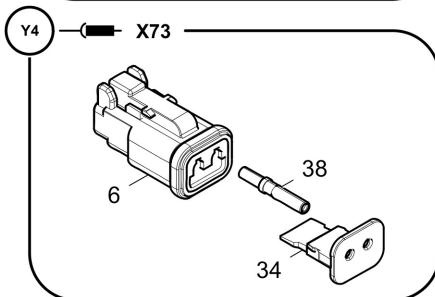
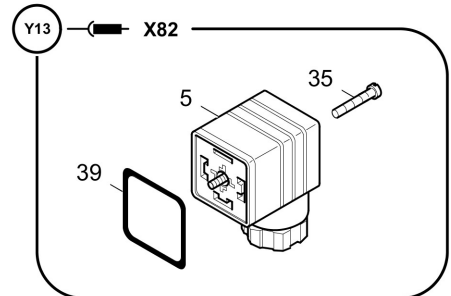
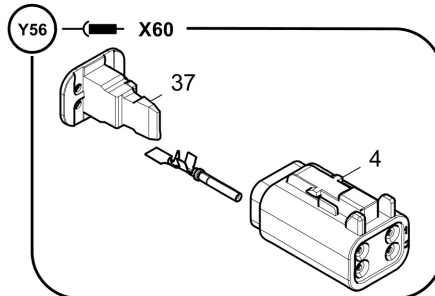
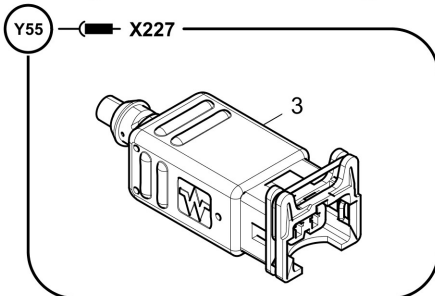
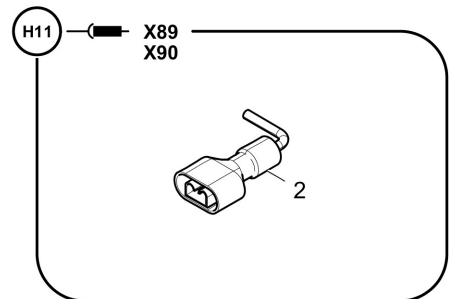
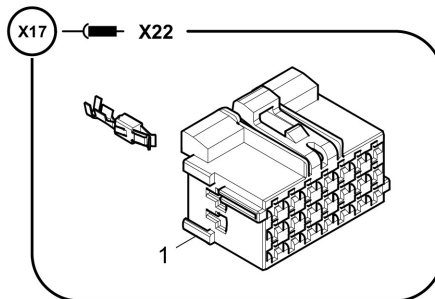
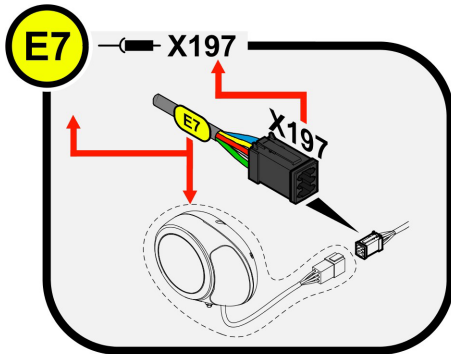
Item	Part No.	Name	Qty	L	C	SN INFO
1	40-4812201348	Cable W2.1	1			

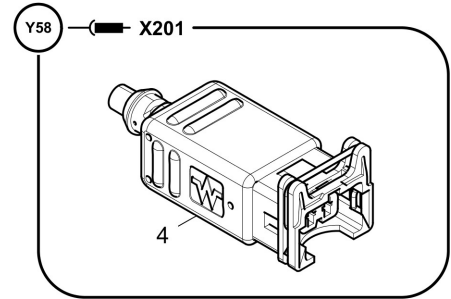
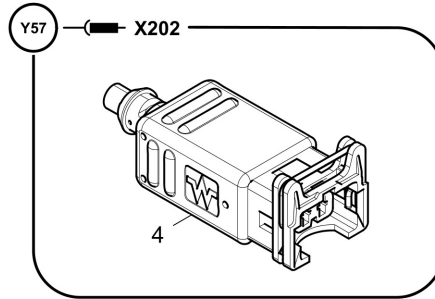
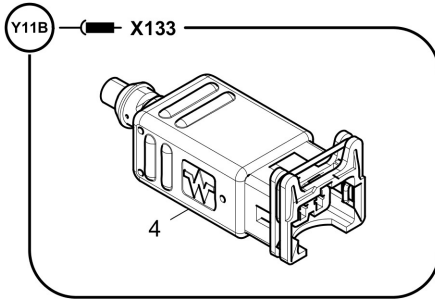
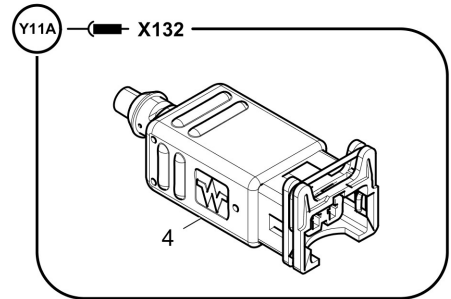
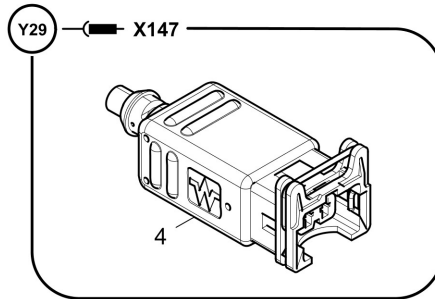
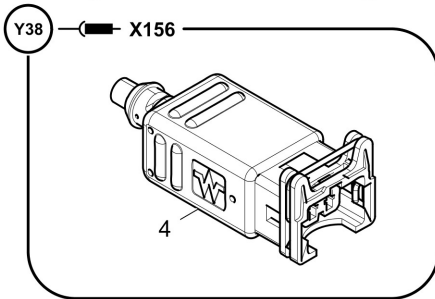
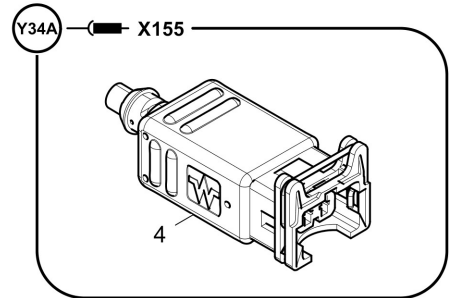
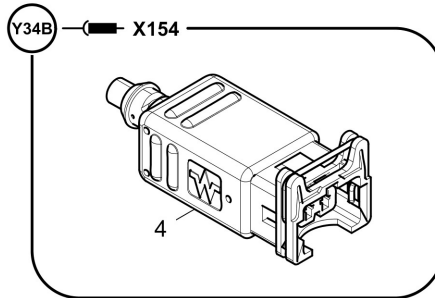
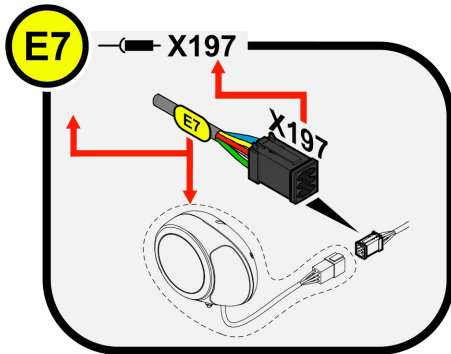
Cable 40-4812023318 Cable W82



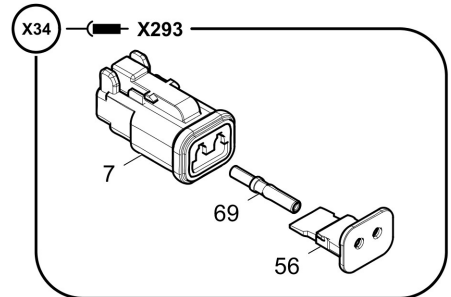
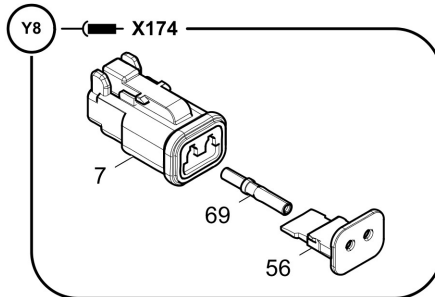
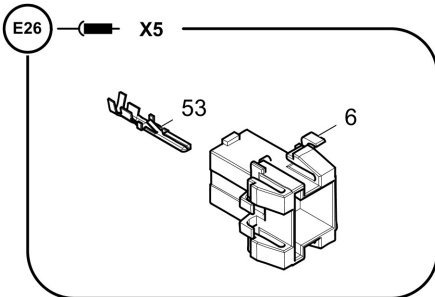
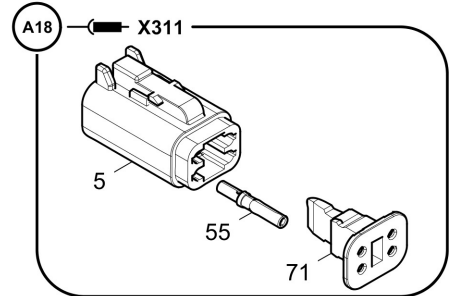
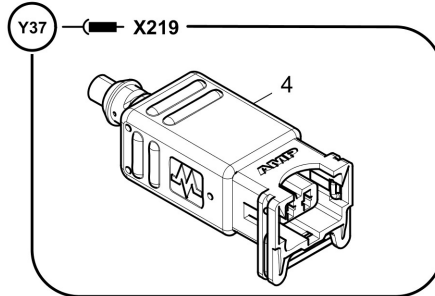
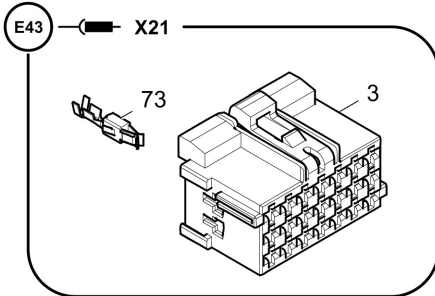
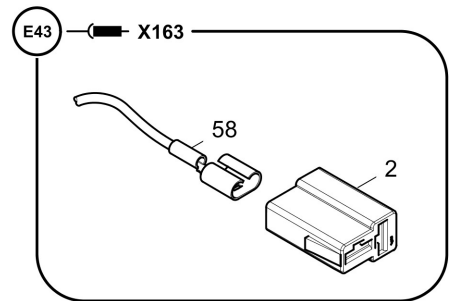
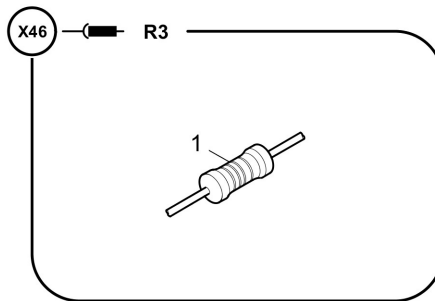
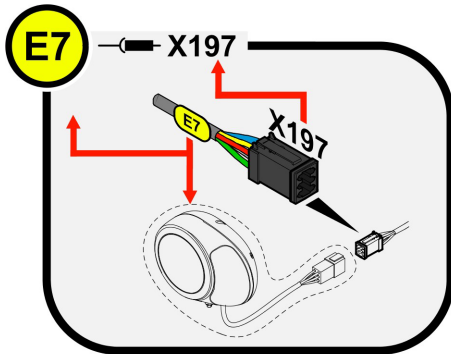
Item	Part No.	Name	Qty	L	C	SN INFO
1	40-4812023318	Cable W82				

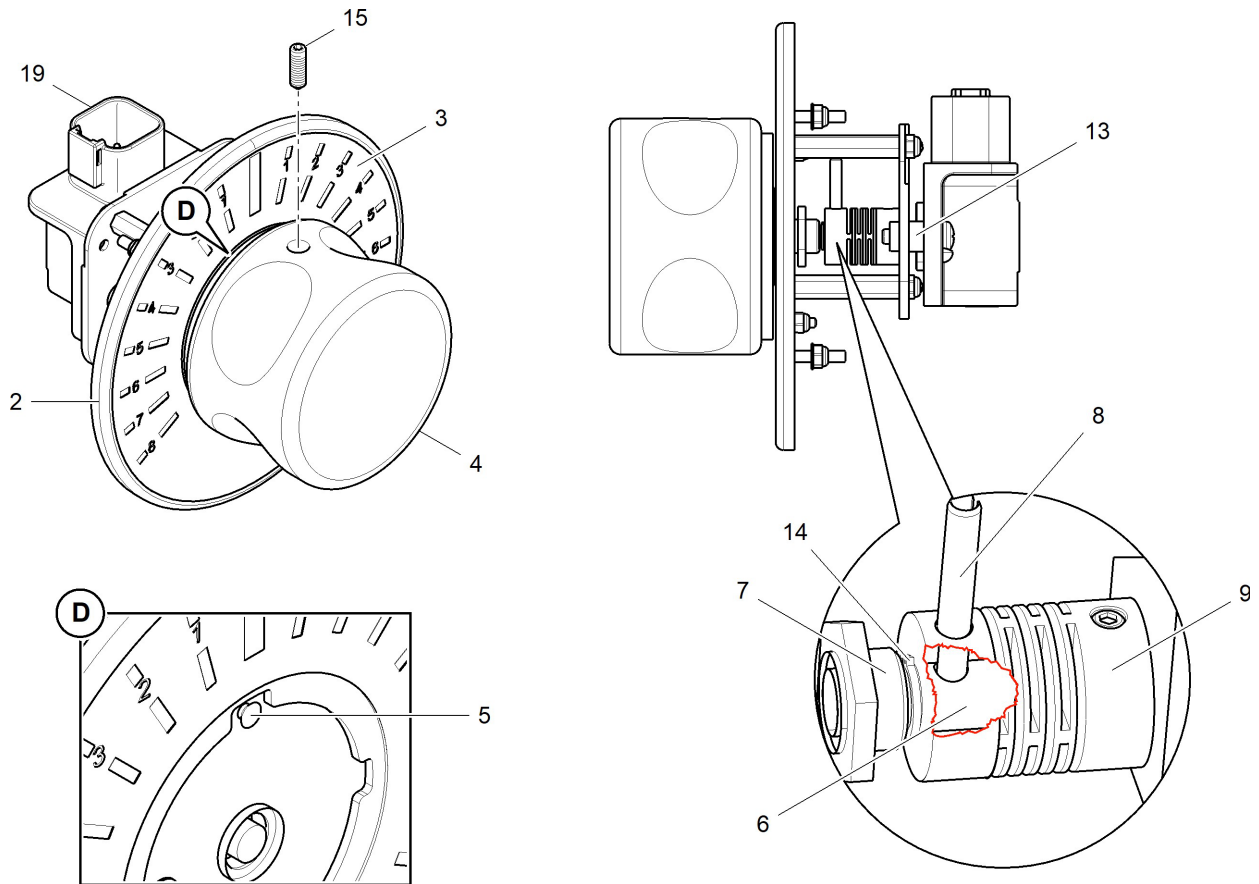
Cable 40-4812217115 Harness W16





Cable 40-4812217170 Cable W62





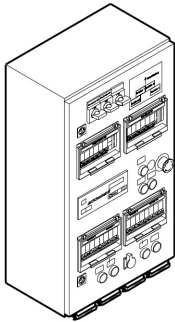
Item	Part No.	Name	Qty	L	C	SN INFO
1	40-4812064326	Housing	1			
2	40-4812064327	Stainless steel inlays	1			
3	40-4812010294	Scale	1			
4	40-4812036882	Control knob	1			
5	40-D930177249	Thrust member	1			
6	40-4812202571	Axle extension	1			
7	40-4812202573	Axle channel	1			
8	40-4812064328	Clamping sleeve	1			
9	40-4812064329	Bar coupling	1			
13	40-4812064330	Spacer sleeve	2			
14	40-4812202574	Shaft circlip	1			
15	40-D937944487	Threaded pin	1			
18	40-4812017993	Retainer	1			
19	40-4812014594	Angle sensor	1			

Refer to Parts Online for the most up to date information. The printed information might be outdated.

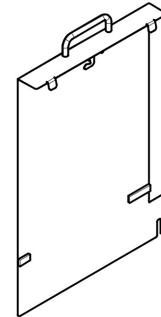
Thu Sep 29 05:33:44 UTC 2022

El. heating 40-4812202821 El. heating

1



2



Item	Part No.	Name	Qty	L	C	SN INFO
1	40-4812024003	Control box	1			
1	40-4812076495	Control box	1		New - Con trol box	For locking system # 603
2	40-4812238815	Vandalism protection	1			Valid from s/n 0G001606, 1621, ff
2	40-4812064111	Vandalism protection	1			For locking system # 603

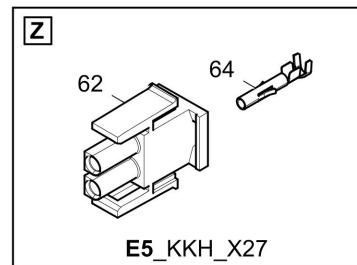
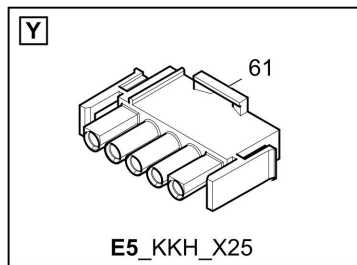
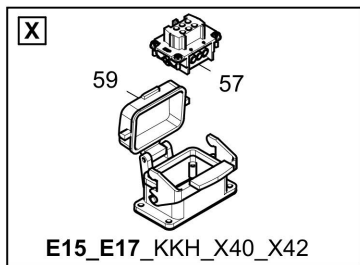
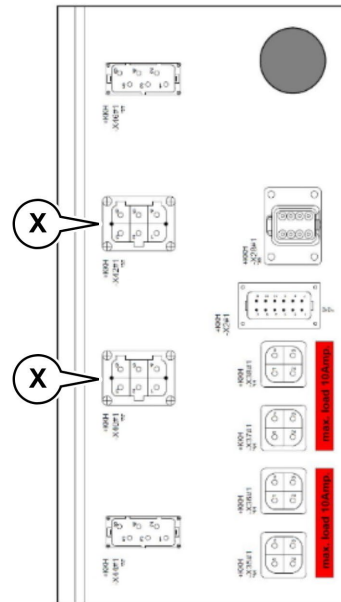
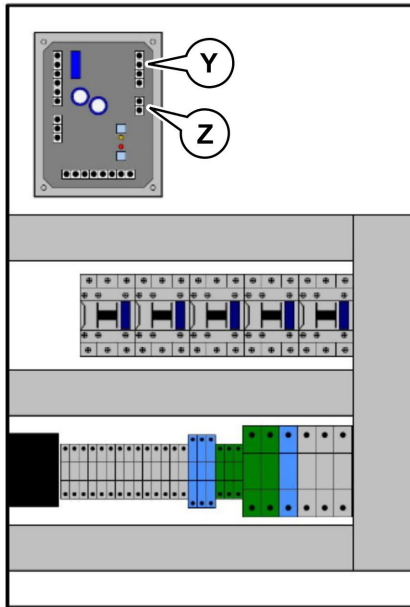
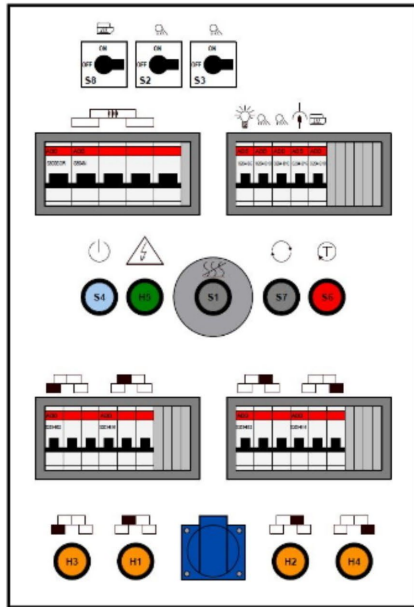
Refer to Parts Online for the most up to date information. The printed information might be outdated.

Thu Sep 29 05:33:50 UTC 2022

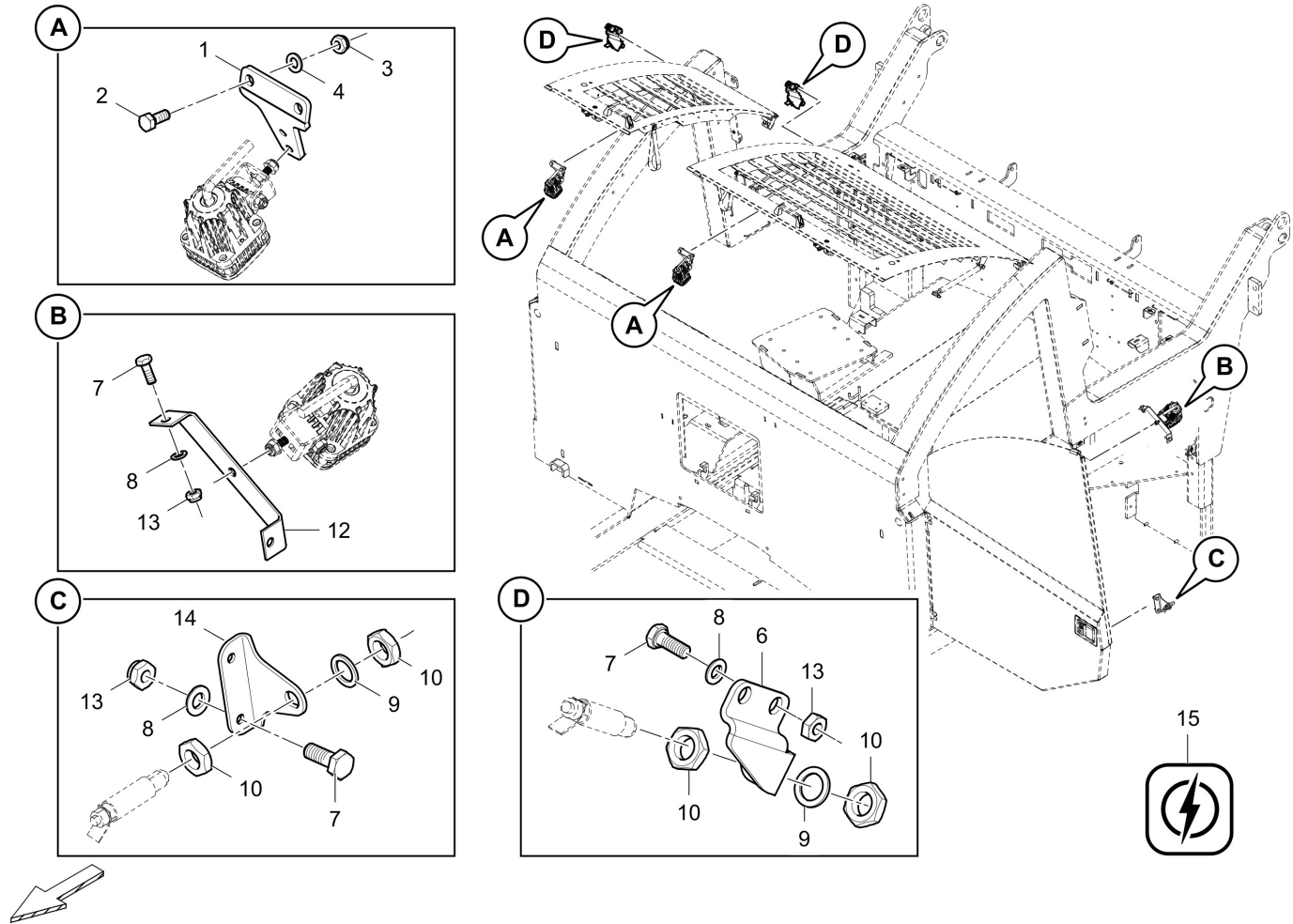
Item	Part No.	Name	Qty	L	C	SN INFO
69	40-4812018936	Connector housing	1			
70	40-4812035509	Female contact	26			
71.1	40-4812077547	Plug-in socket	1			
71.2	40-4812078354	Conversion kit, socket plug	1			
					ONLY NEE DE D FO R FIR ST TIM E REP LAC EM ENT FO R OLD SO CKE T	
71.2.1	40-4812078149	Adapter plate	1			
71.2.2	40-0211117103	Hexagon socket head cap screw	4			
71.2.3	40-D939470060	Screw	4			
71.2.4	40-0291112862	Hexagon nut	8			
71.2.5	40-0301231500	Plain washer	12			
72	40-4812030148	Socket	1			
73	40-4812031376	Wire box	1			
74	40-4812030146	Key	1			
75	40-4812035630	Key	1			
76	40-4812031120	Male contact	20			
77	40-D977478247	Dust cap	4			
78	40-4812217849	Earth leakage monitor	1			
80	40-4812034089	Fuse clamp	2			
81	40-4812202011	Fuse	1			
82	40-4812217870	Fuse	1			
83	40-D977425146	End clamp	2			
85	40-D977425191	Cover plate	1			
86	40-4812077470	Through clamp	3			
87	40-4812034499	Through clamp	1			
88	40-D977425180	Through clamp	3			
89	40-4812034501	Through clamp	2			
91	40-D977425147	Through clamp	11			

Refer to Parts Online for the most up to date information. The printed information might be outdated.

Thu Sep 29 05:33:54 UTC 2022



40-4812074443 Engine room lighting 40-4812074443 Engine room lighting

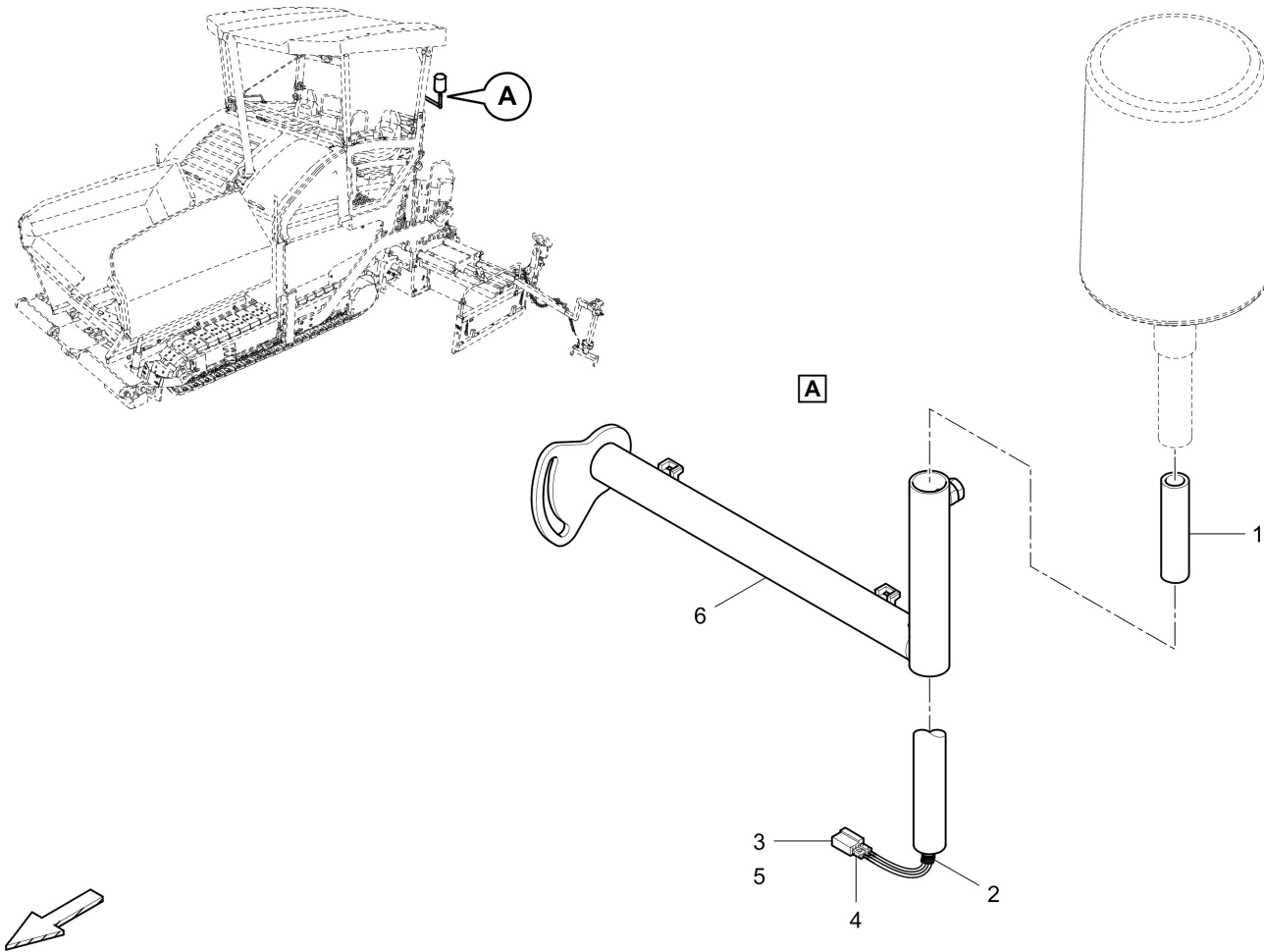


Item	Part No.	Name	Qty	L	C	SN INFO
1	40-4812073039	Lamp bracket	2			
2	40-0147132303	Hexagon bolt	4			
3	40-0291118802	Hexagon nut	4			
4	40-0301233500	Plain washer	4			
6	40-4812074440	Holder supply module	2			
7	40-0147124603	Screw	8			
8	40-0301232100	Plain washer	8			
9	40-0333310043	Schnorr-lock washer	3			
10	40-4812076083	Hexagon nut	6			
12	40-4812073042	Lamp bracket	1			
13	40-0291118507	Nut	4			
14	40-4812072965	Sensor holder	1			
15	40-4812074674	Electric	1			

Refer to Parts Online for the most up to date information. The printed information might be outdated.

Thu Sep 29 05:34:01 UTC 2022

40-4812012450 Slip-on pipe 40-4812012450 Slip-on pipe

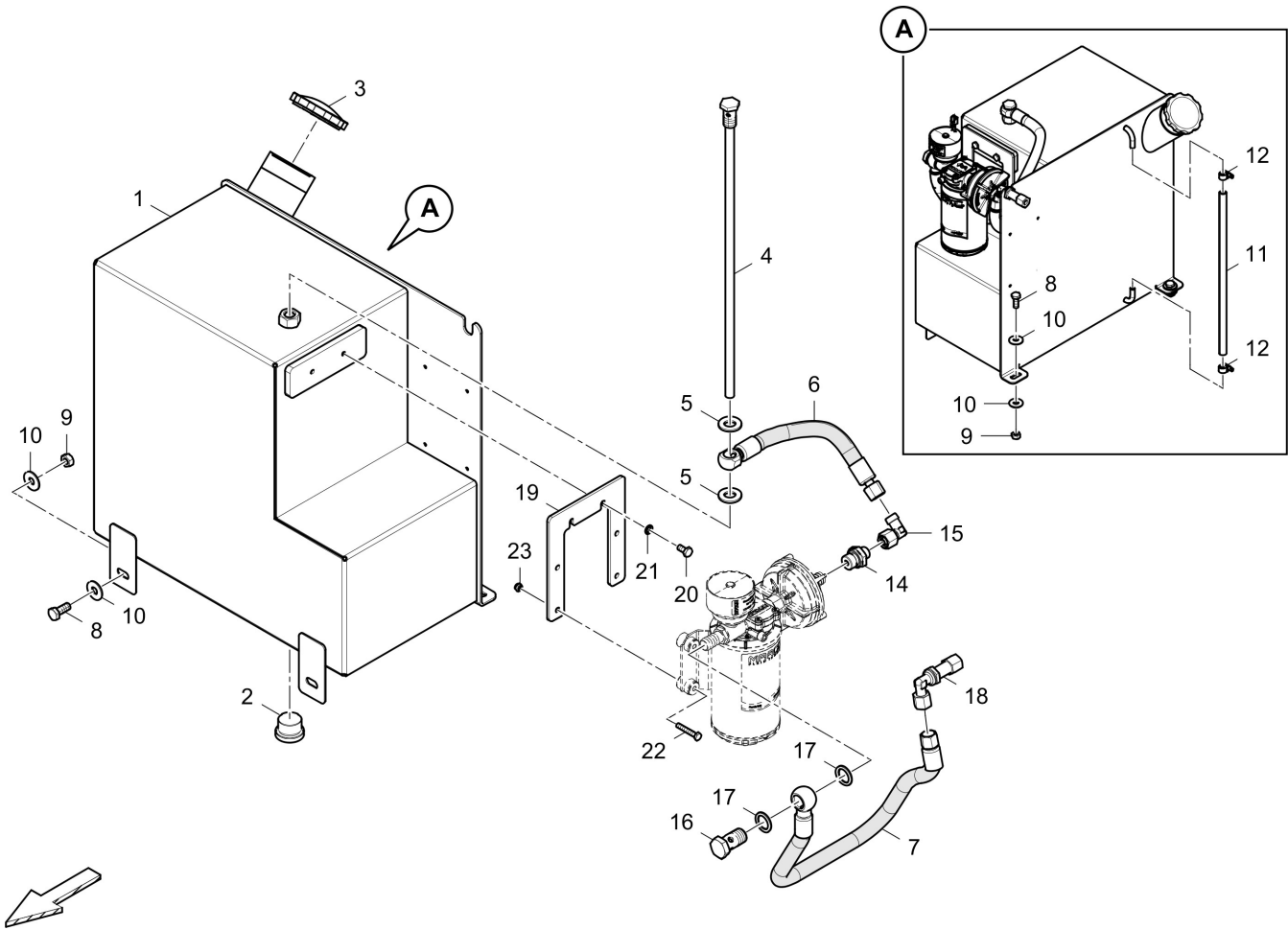


Item	Part No.	Name	Qty	L	C	SN INFO
1	40-4812012246	Slip-on pipe	1			
2	40-D977418854	Corrugated pipe x m	1			
3	40-D977330126	Plug housing	1			
4	40-4749100094	Flat plug sleeve	2			
5	40-D977396215	Tab	2			
6	40-4812011482	Holder for rotaflare light	1			

Refer to Parts Online for the most up to date information. The printed information might be outdated.

Thu Sep 29 05:34:05 UTC 2022

Emulsion tank 40-4812076114 Emulsion tank

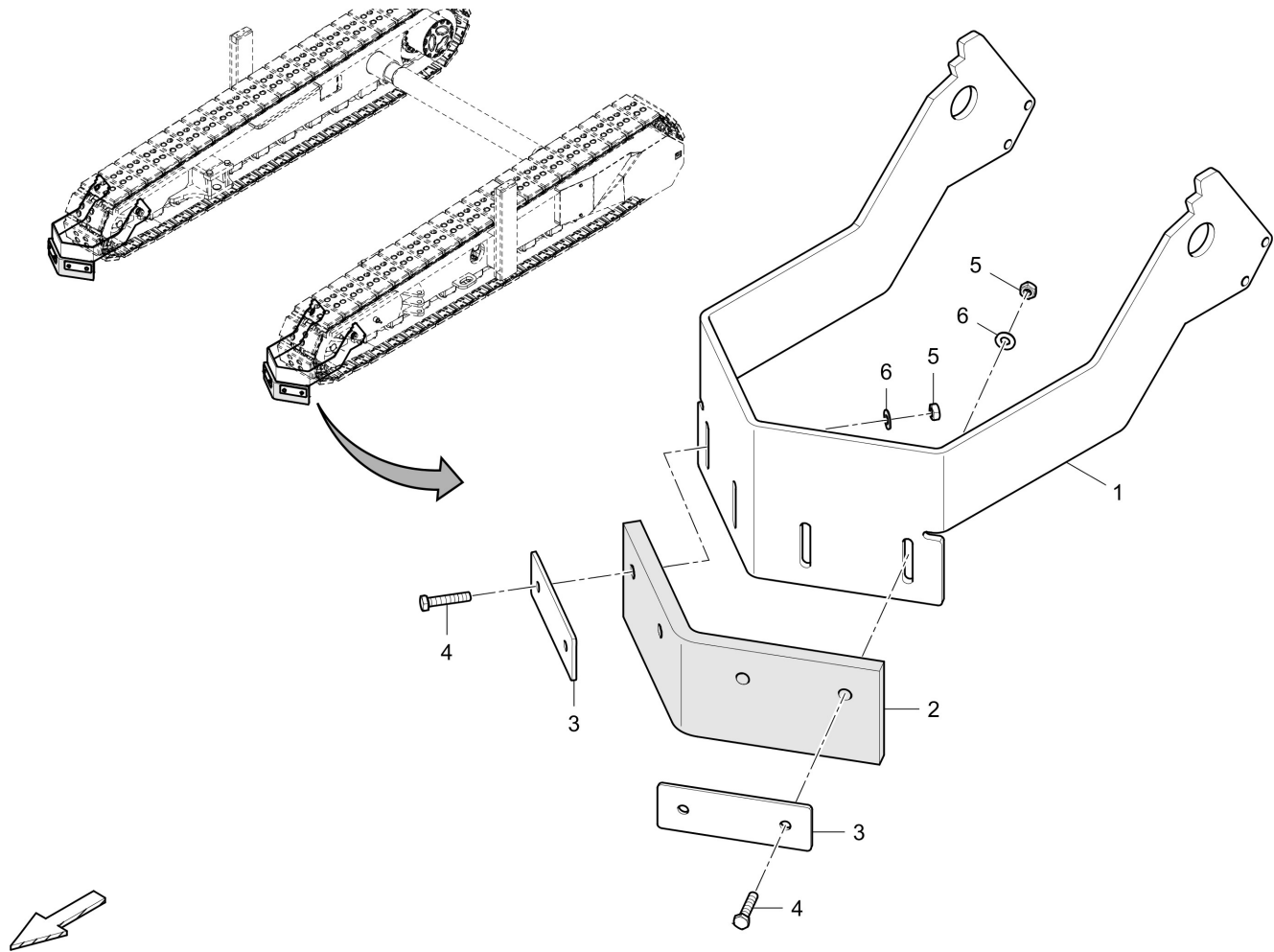


Item	Part No.	Name	Qty	L	C	SN INFO
0	40-4812021786	Tank, pre-assembled incl. electrics	1			
1	40-4812075985	Tank	1			
2	40-D961175211	Plug screw	1			
3	40-4812011172	Filler cap (without key)	1			
4	40-4812038696	Inlet manifold	1			
5	40-4749900215	Seal ring	2			
6	40-4812076660	Hose	1			
7	40-4812076810	Hose	1			
8	40-0147132303	Hexagon bolt	4			
9	40-0266211000	Hexagon nut	4			
10	40-D939505023	Washer	8			
11	40-4812046654	Hose x m	1			
12	40-D934349012	Clamp	2			

Refer to Parts Online for the most up to date information. The printed information might be outdated.

Thu Sep 29 05:34:10 UTC 2022

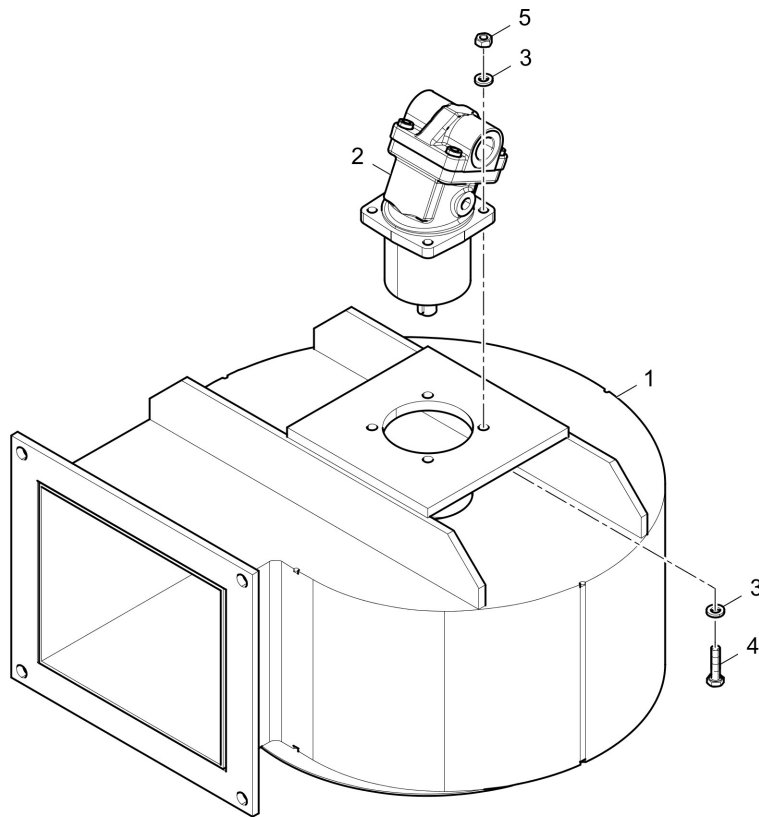
Track cleaner 40-4812216544 Track cleaner



Item	Part No.	Name	Qty	L	C	SN INFO
1	40-4812216009	Track cleaner	1			
2	40-4812043342	Rubber plate	1			
3	40-4812043343	Holding plate	2			
4	40-0147136703	Hex. head screw	4			
5	40-0266211100	Nut hexagon	4			
6	40-0301234400	Plain washer	4			

Refer to Parts Online for the most up to date information. The printed information might be outdated.

Thu Sep 29 05:34:13 UTC 2022

Blower 40-4812073904 Exhaust fan

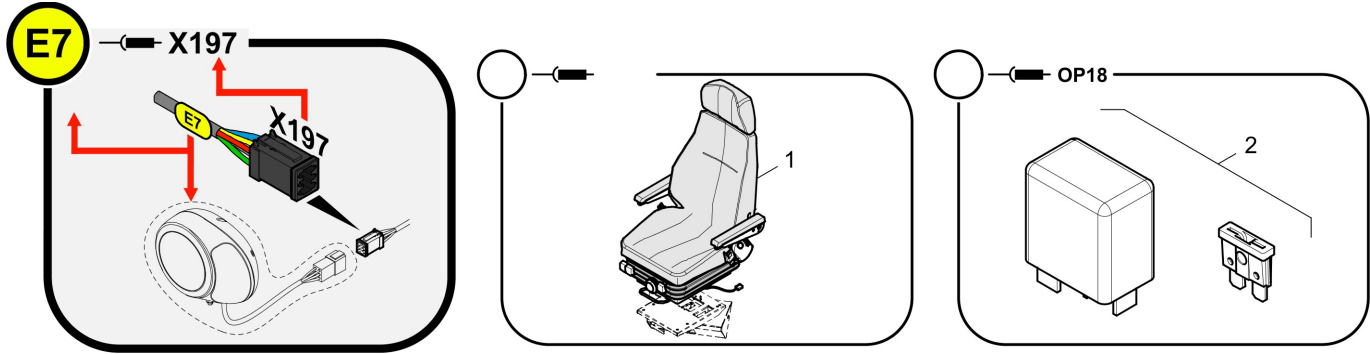
Item	Part No.	Name	Qty	L	C	SN INFO
1	40-4812073652	Ventilator	1			
2	40-4812044822	Hydraulic motor	1			
3	40-0333310055	Washer	8			
4	40-0147124903	Hex. head screw M6 x 25	4			
5	40-5730015118	Hexagon nut	4			

Refer to Parts Online for the most up to date information. The printed information might be outdated.

Thu Sep 29 05:34:16 UTC 2022

Item	Part No.	Name	Qty	L	C	SN INFO
15	40-0147132503	Hexagon bolt	4			
16	40-0301233500	Plain washer	18			
17	40-0266211000	Hexagon nut	8			
18	40-0301232100	Plain washer	8			
19	40-5730015118	Hexagon nut	8			
20	40-0333310045	Schnorr-lock washer	2			
21	40-0333310024	Washer	4			
22	40-4812217997	Hydraulic, Fume control	1			
23	40-0147125212	Hex. head screw	2			
24	40-4812009040	Guide plate	1			
25	40-0147132303	Hexagon bolt	6			
26	40-4812226452	Round plate	1			
27	40-D938155540	Screw	4			
28	40-0333317507	Schnorr-lock washer	4			
29	40-4812018118	Mounting clamp	2			

40-4812074553 Driver`s seat 40-4812074553 Drivers seat

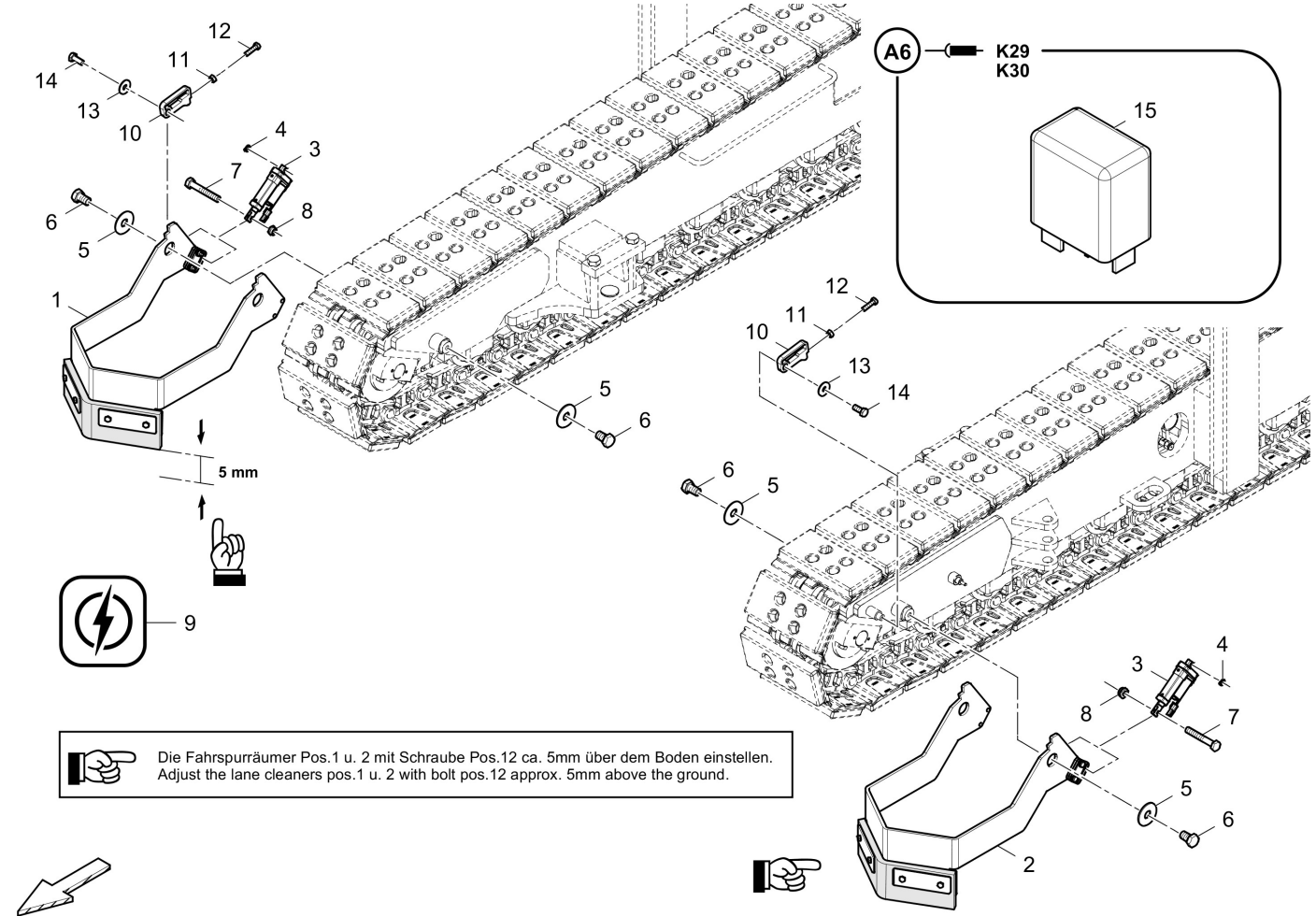


Item	Part No.	Name	Qty	L	C	SN INFO
1	40-4812216670	Drivers seat	2			
2	40-4812078125	Electric, seat heater	1			

Refer to Parts Online for the most up to date information. The printed information might be outdated.

Thu Sep 29 05:34:23 UTC 2022

40-4812216948 Track cleaner, cpl. 40-4812216948 Track cleaner, cpl.

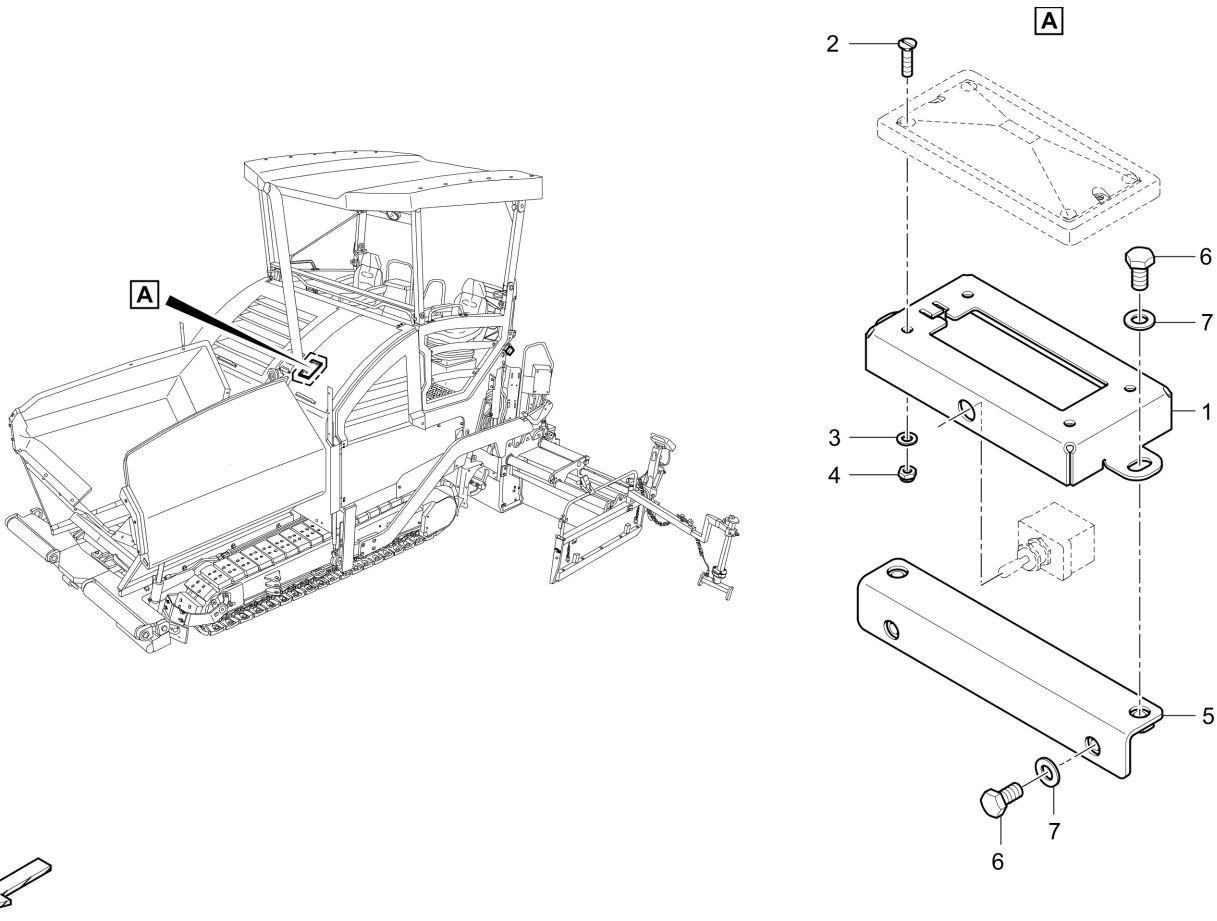


Item	Part No.	Name	Qty	L	C	SN INFO
1	40-4812216537	Track cleaner, r.h.	1			
2	40-4812216532	Track cleaner, l.h	1			
3	40-4812217046	Electric cylinder, cpl.	2			
4	40-4812073199	Circlip	2			
5	40-D939570522	Washer	4			
6	40-0147147403	Screw	4			
7	40-0147137003	Screw DIN931	2			
8	40-5541396800	Hexagon nut	2			
9	40-4812217151	Cable W93	1			
10	40-4812075506	Locking lever	2			
11	40-0266211000	Hexagon nut	2			
12	40-0147132603	Hexagon head screw	2			
13	40-0300013038	Flat washer	2			

Refer to Parts Online for the most up to date information. The printed information might be outdated.

Thu Sep 29 05:34:27 UTC 2022

Engine room lighting 40-4812032889 Engine room lighting

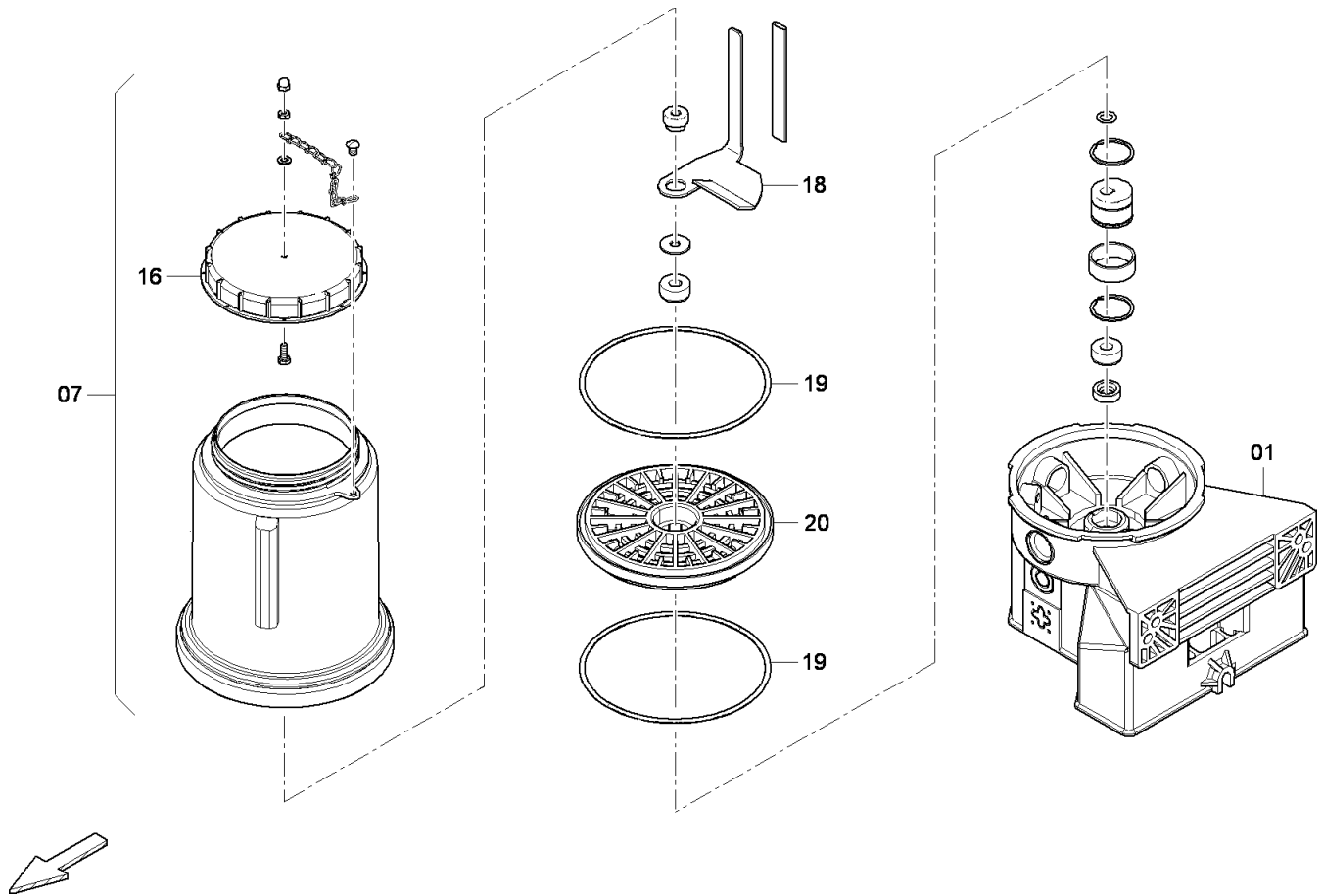


Item	Part No.	Name	Qty	L	C	SN INFO
1	40-4812032884	Retainer	1			
2	40-0216195759	Hex.soc contrsrnk screw	4			
3	40-0301231800	Flat washer	4			
4	40-0291118503	Hexagon nut	4			
5	40-4812034508	Retainer	1			
6	40-0147132203	Hexagon head screw	4			
7	40-0301233500	Plain washer	4			

Refer to Parts Online for the most up to date information. The printed information might be outdated.

Thu Sep 29 05:34:30 UTC 2022

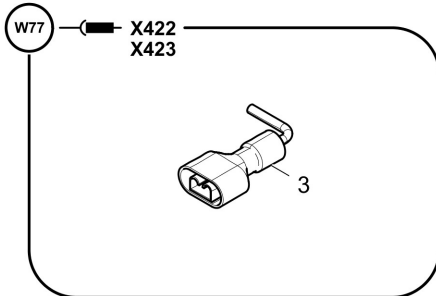
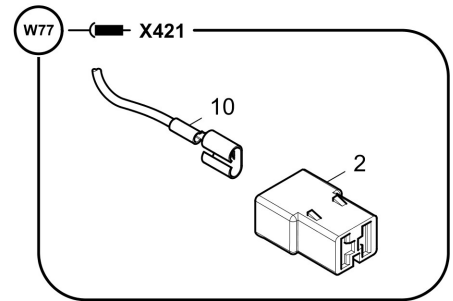
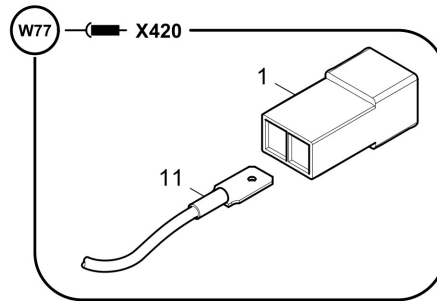
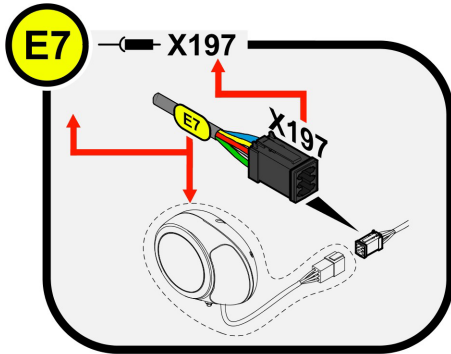
Pump 40-4812037777 Pump



Item	Part No.	Name	Qty	L	C	SN INFO
3	40-D977532017	Toggle switch	1			

Item	Part No.	Name	Qty	L	C	SN INFO
8	40-0211125403	Screw	2			
9	40-4812073606	Hook	1			
10	40-4812017924	Padlock	1			

Cable 40-4812072056 Cable W77



Item	Part No.	Name	Qty	L	C	SN INFO
1	40-D977330124	Socket	1			
2	40-D977330123	Female housing	1			
3	40-D977397710	Receptacle	2			
10	40-D977397117	Receptacle for tabs	2			
11	40-D977396215	Tab	2			

Refer to Parts Online for the most up to date information. The printed information might be outdated.

Thu Sep 29 05:34:42 UTC 2022

Item	Part No.	Name	Qty	L	C	SN INFO
14	40-0333310036	Schnorr-lock washer	3			
15	40-0266211000	Hexagon nut	3			
16	40-4749301745	Clamping lever	1			
17	40-0266113702	Nut	2			
18	40-0147140103	Screw	2			
19	40-0301235800	Plain washer	1			
20	40-4812043227	Clamping	1			
21	40-4812043252	Retainer	1			
22	40-4812043257	Swinging arm	1			
23	40-4812043267	Extension	1			
25	40-4812201928	Steering sensor	1			
26	40-5530999900	Hexagon head screw	2			
27	40-0261109157	Hexagon nut	2			

Referenced Pages

40-4812024784 Cable W67

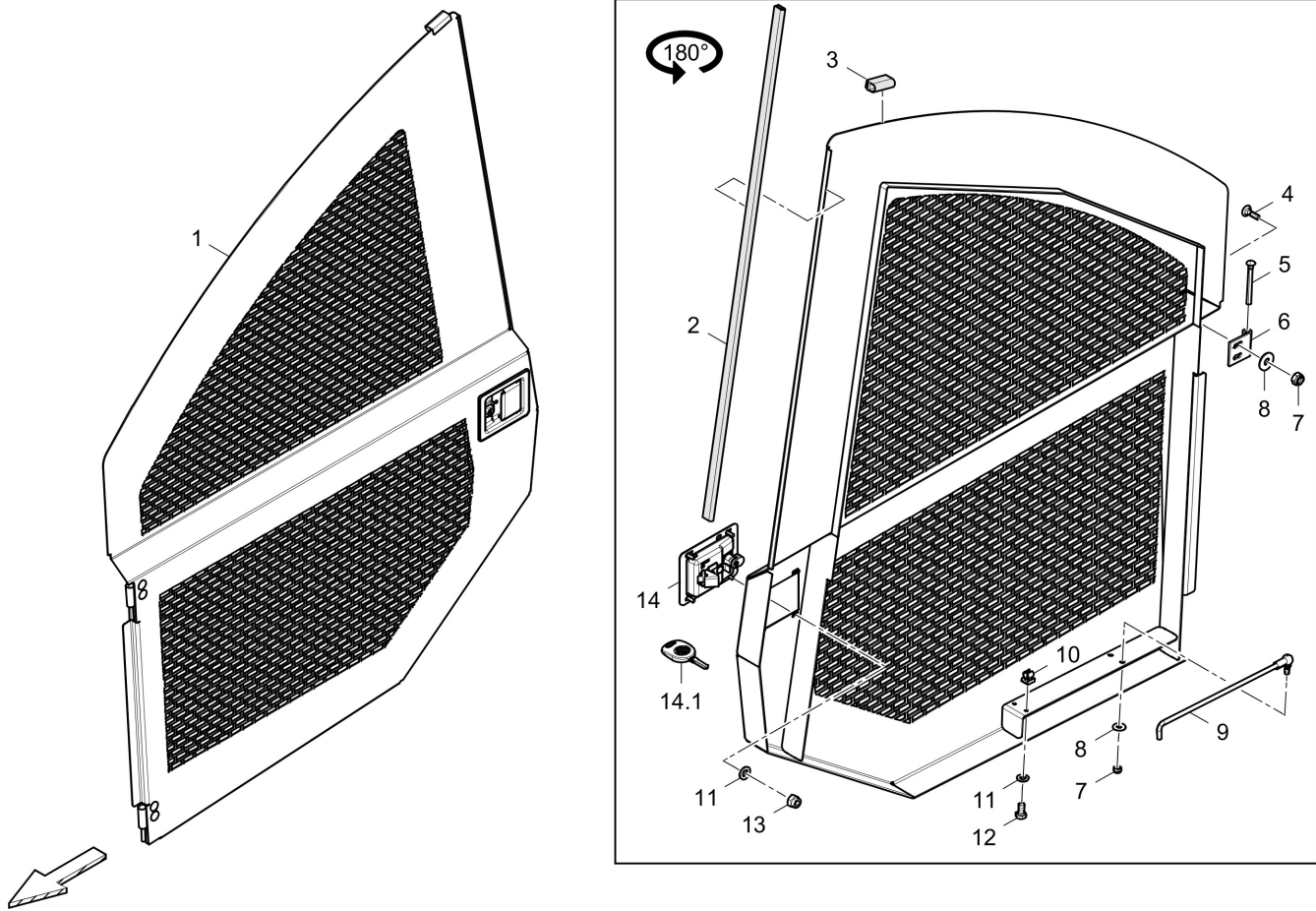
458

Referenced Pages

40-4812238815 Vandalism protection	497
40-4812064111 Vandalism protection	498

Referenced Pages

40-4812202821 El. heating	472
---------------------------	-----

Door, l.h. 40-4812064225 Door, l.h.

Item	Part No.	Name	Qty	L	C	SN INFO
1	40-4812226654	Plate	1			
2	40-D930235495	Profiled joint x m	1,1			
3	40-D930280172	Profiled joint x m	1,5			
4	40-0226991529	Flat head screw	4			
5	40-4812033152	Pin	2			
6	40-4812033146	Hinge	2			
7	40-0291118802	Hexagon nut	5			
8	40-D939505023	Washer	5			
9	40-4812041407	Support rod	1			
10	40-D953509710	Clip	1			
11	40-0301232100	Plain washer	5			
12	40-0147124403	Screw	1			
13	40-0291112854	Hexagon nut	4			

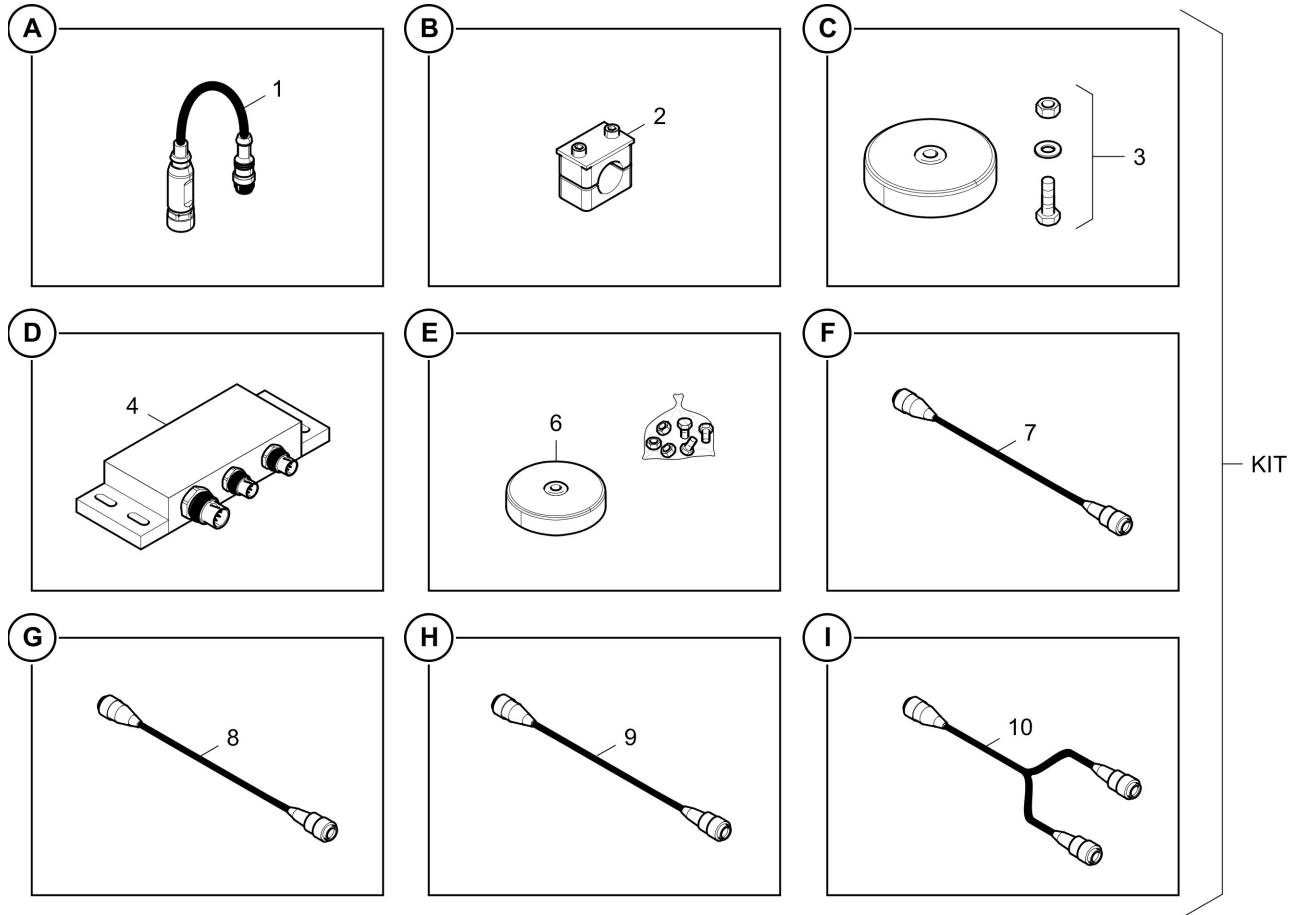
Refer to Parts Online for the most up to date information. The printed information might be outdated.

Thu Sep 29 05:34:54 UTC 2022

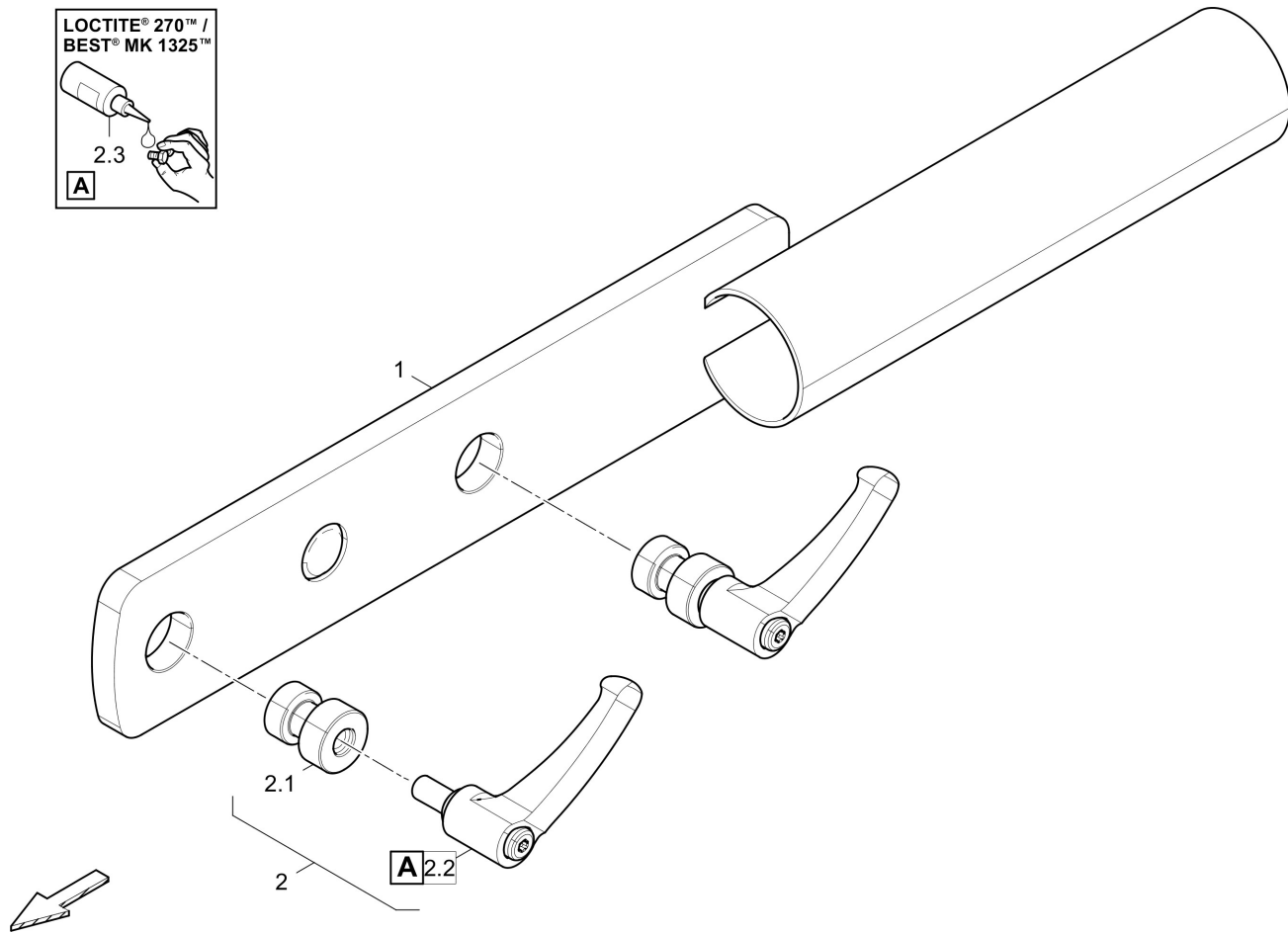
Referenced Pages

40-4812034771 Air guide, r.h. _____ 73

40-4812200833 Temp. measuring auger Moba 40-4812200833 Temperature sensor



Retainer 40-4812077124 Retainer

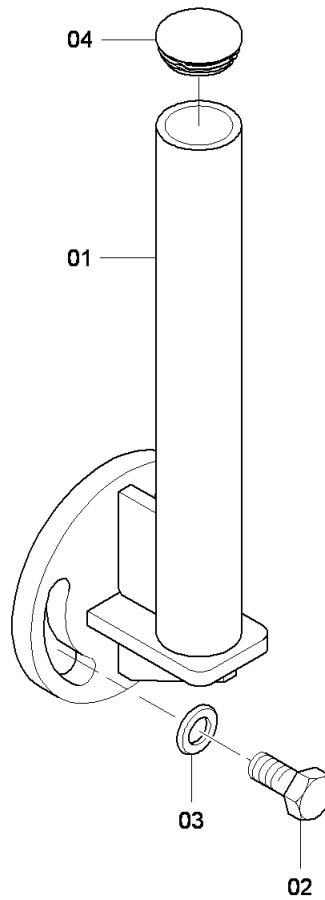
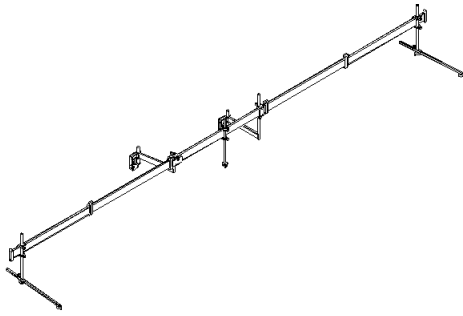


Item	Part No.	Name	Qty	L	C	SN INFO
1	40-4812073560	Retainer	1			
2	40-4812072729	Lock pin	2			
2.1	40-4812072697	Lock pin	1			
2.2	40-4812073480	Clamping lever	1			
2.3	40-4747400056	Thread locking, 50ml	1			

Refer to Parts Online for the most up to date information. The printed information might be outdated.

Thu Sep 29 05:35:02 UTC 2022

Side arm support 40-4812038560 Side arm

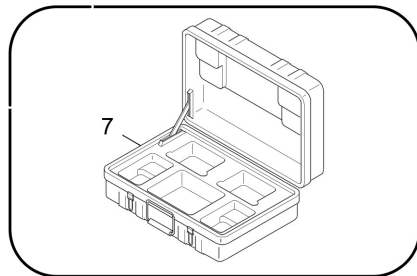
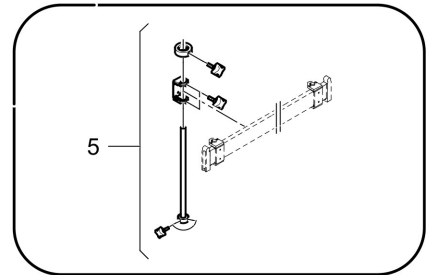
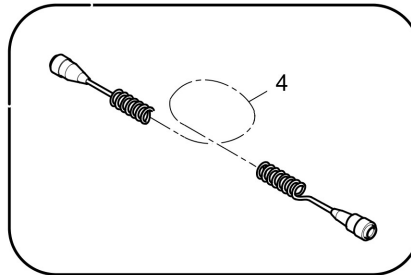
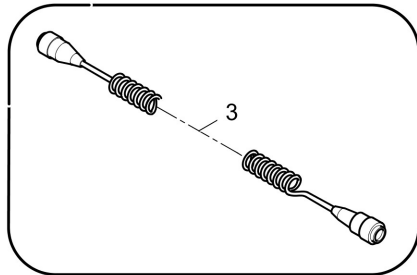
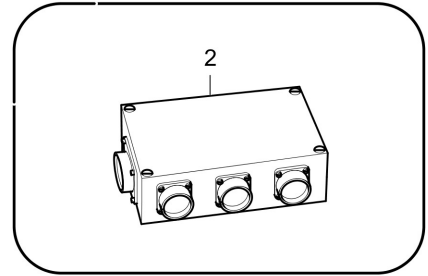
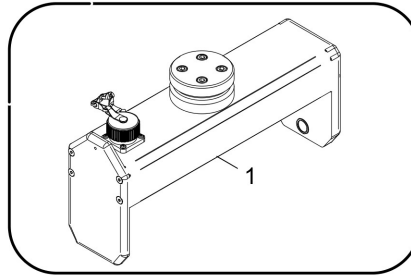
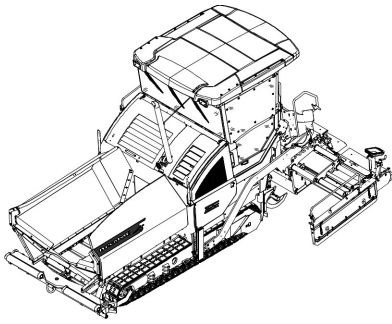


Item	Part No.	Name	Qty	L	C	SN INFO
1	40-4812038556	Mounting plate	1			
2	40-0147147603	Screw M16X35	2			
3	40-0301237800	Plain washer	2			
4	40-D930462962	Plug	1			

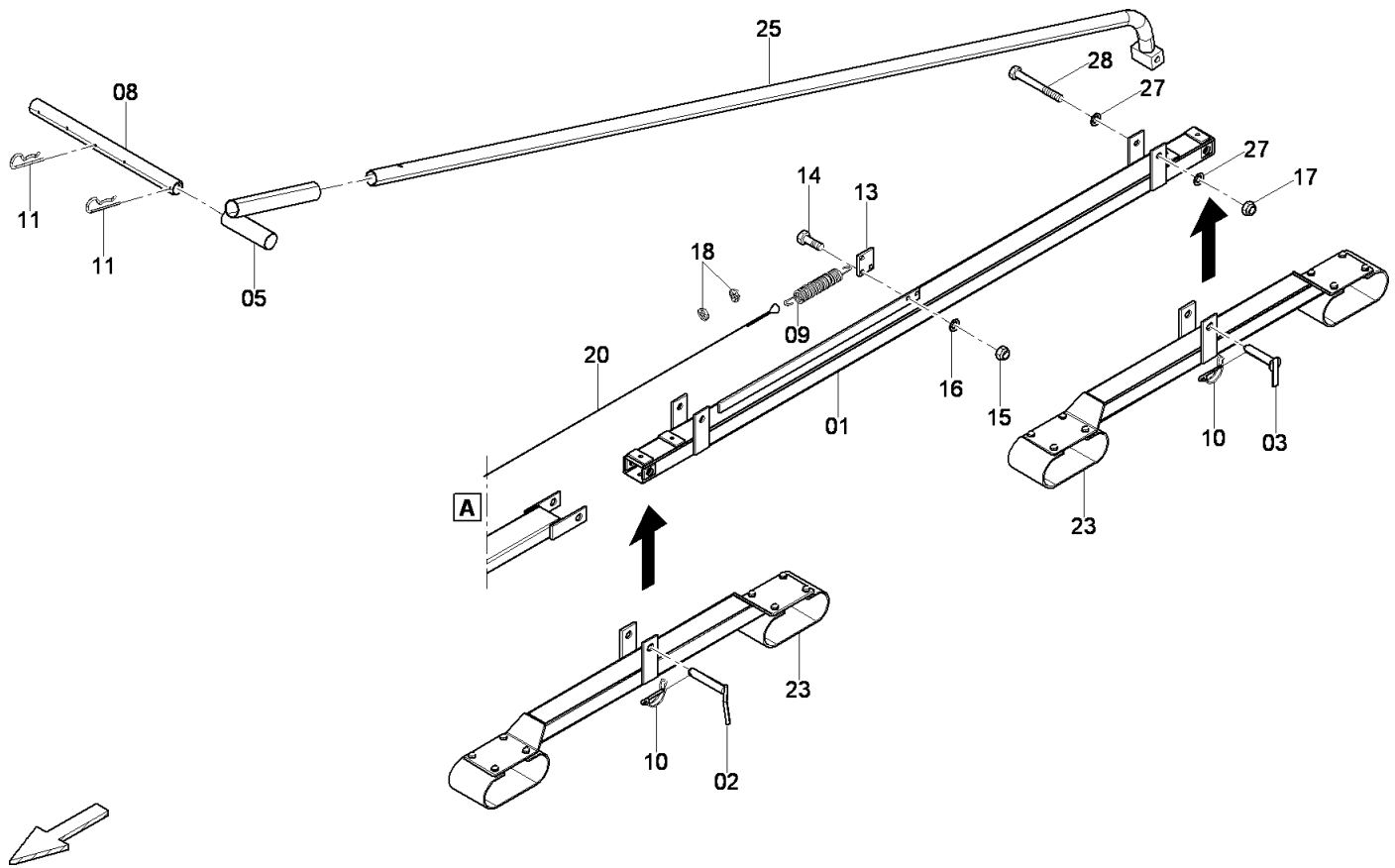
Refer to Parts Online for the most up to date information. The printed information might be outdated.

Thu Sep 29 05:35:04 UTC 2022

Electro installation Big Ski 40-4812072316 **Electro installation Big Ski**



Item	Part No.	Name	Qty	L	C	SN INFO
1	40-4812011136	Sonic-Ski plus Sensor, CAN	4			
2	40-4812019220	Distribution box	1			
3	40-D900625214	Spiral cable	3			
4	40-D900625235	Spiral cable	2			
5	40-4812019223	Kit, sensor holder	1			
7	40-4812076387	Tool box	1			

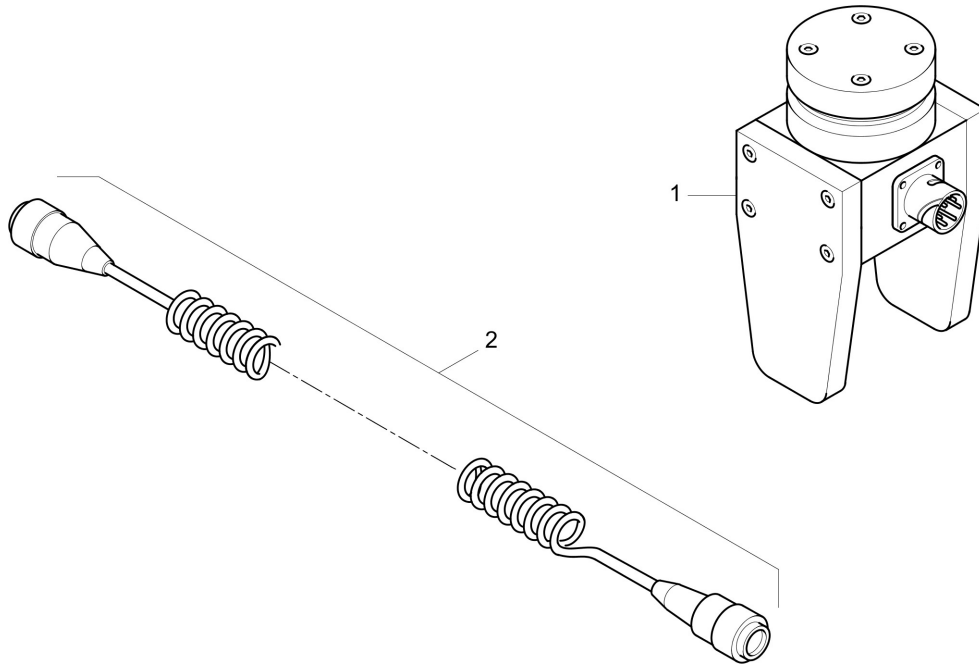


Item	Part No.	Name	Qty	L	C	SN INFO
1	40-D830030115	Levelling device	2			
2	40-D990020169	Socket pin	2			
3	40-D730030216	Socket pin	2			
4	40-D830031469	Connection profile	1			
5	40-D830030130	Tube cross	1			
6	40-D830031421	Tube cross	1			
7	40-D830030106	Clamping pipe	2			
8	40-D830030135	Pipe extension	1			
9	40-D750161326	Draw spring	1			
10	40-D930290105	Hinged split pin	4			
11	40-D930205010	Spring pin	3			
12	40-D930280215	Snap hook	1			
13	40-D830031374	Screw on flat steel	2			
14	40-0147136203	Screw	4			

Refer to Parts Online for the most up to date information. The printed information might be outdated.

Thu Sep 29 05:35:08 UTC 2022

Sensor 40-4812038602 Sensor



Item	Part No.	Name	Qty	L	C	SN INFO
1	40-D900625213	Ultrasonic sensor	1			
2	40-D900625214	Spiral cable	1			

Special tool Ultrasonic thickness gauge**Ultrasonic thickness gauge**

- With the use of the new Dynapac ultrasonic thickness gauge, wear inspection becomes an easy and quick process.
 - Easy handling - less inspection time
 - Quick inspection in workshop or in the field - just between two jobs
 - No dismantling of parts
 - No material weakening by drilling check holes etc.
 - Pro-active wear parts ordering in time.
 - No down time by final worn parts

Features :

- Ultrasonic measures thickness on various materials
- Ultrasonic velocity adjustable
- Measuring velocity function
- Thickness unit mm/inch convertible
- Coupling indication.
- Build in a metal piece for calibration
- Low battery voltage indication
- Auto power off
- Hard case, operation manual
- Tube of coupling paste.

Item	Part No.	Name	Qty	L	C	SN INFO
1	40-4812202477	Ultrasonic thickness gauge	1			

CLICK HERE TO **DOWNLOAD** THE COMPLETE MANUAL

- Thank you very much for reading the preview of the manual.
- You can download the complete manual from: www.heydownloads.com by clicking the link below



- Please note: If there is no response to CLICKING the link, please download this PDF first and then click on it.

CLICK HERE TO **DOWNLOAD** THE COMPLETE MANUAL