



PARTS CATALOG

TRACTORS

Models I-40

I-400

CLICK HERE TO **DOWNLOAD** THE COMPLETE MANUAL

- Thank you very much for reading the preview of the manual.
- You can download the complete manual from: www.heydownloads.com by clicking the link below



- Please note: If there is no response to CLICKING the link, please download this PDF first and then click on it.

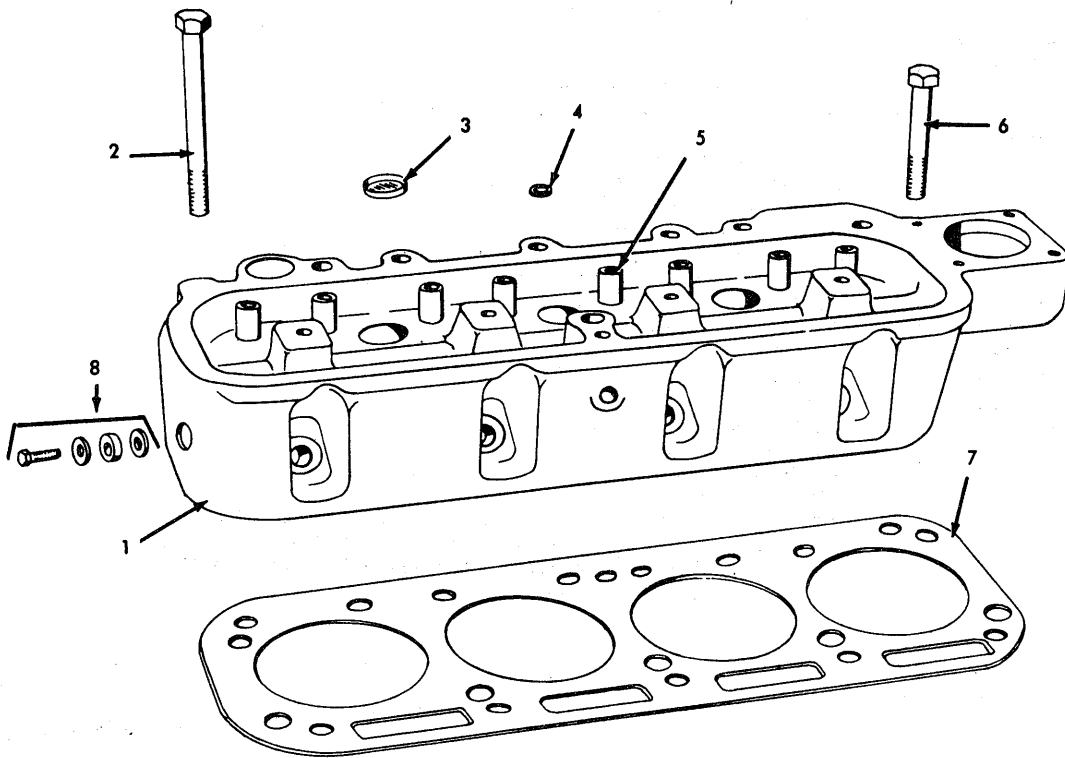
CLICK HERE TO **DOWNLOAD** THE COMPLETE MANUAL

NUMERICAL INDEX

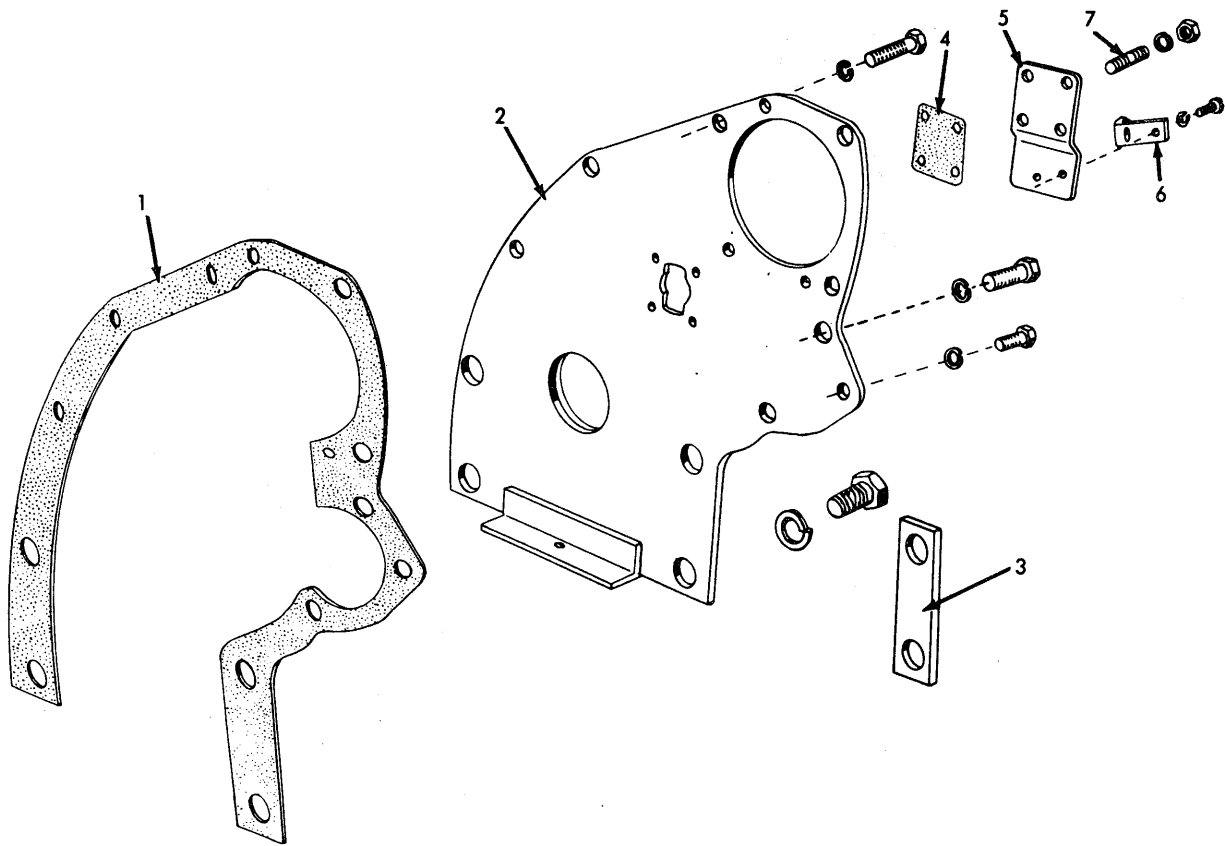
Part	Page	Grid	Part	Page	Grid	Part	Page	Grid	Part	Page	Grid
0243741-6	95	1-D24	0247629-9	117	1-E22	0255207-3	183	1-H16	0910210-4	77	1-D 6
0243752-3	185	1-H18	0247630-7	113	1-E18	0255230-5	181	1-H14	0910251-8	65	1-C18
0243753-1	183	1-H16	0247630-7	117	1-E22	0255296-6	15	1-A16	0910259-1	155	1-G12
0243755-6	183	1-H16	0247631-5	113	1-E18	0255296-6	17	1-A18	0910270-8	35	1-B12
0243756-4	113	1-E18	0247631-5	117	1-E22	0255296-6	27	1-B 4	0910287-2	159	1-G16
0243756-4	117	1-E22	0247632-3	113	1-E18	0255325-3	17	1-A18	0910308-6	49	1-C 2
0243757-2	179	1-H12	0247632-3	117	1-E22	0255326-1	15	1-A16	0910323-5	51	1-C 4
0243757-2	183	1-H16	0247678-6	155	1-G12	0255701-5	139	1-F20	0910324-3	45	1-B22
0243768-9	137	1-F18	0247715-6	173	1-H 6	0255722-1	67	1-C20	0910325-0	93	1-D22
0243769-7	137	1-F18	0247719-8	173	1-H 6	0255722-1	69	1-C22	0910339-1	175	1-H 8
0243773-9	189	1-H22	0247721-4	173	1-H 6	0255728-8	67	1-C20	0910511-5	71	1-C24
0243775-4	145	1-G 2	0247722-2	167	1-G24	0255947-4	171	1-H 4	0910889-5	155	1-G12
0243776-2	145	1-G 2	0247723-0	167	1-G24	0255947-4	173	1-H 6	0910919-0	55	1-C 8
0243777-0	145	1-G 2	0247745-3	103	1-E 8	0256585-1	161	1-G18	0910923-2	137	1-F18
0243778-8	145	1-G 2	0247746-1	103	1-E 8	0256599-2	161	1-G18	0910940-6	141	1-F22
0243781-2	145	1-G 2	0247801-4	161	1-G18	0256852-5	159	1-G16	0910946-3	29	1-B 6
0243787-9	179	1-H12	0247802-2	161	1-G18	0256906-9	161	1-G18	0910948-9	45	1-B22
0243844-8	63	1-C16	0247857-6	87	1-D16	0257718-7	83	1-D12	0911040-4	31	1-B 8
0243844-8	75	1-D 4	0248239-6	103	1-E 8	0257739-3	169	1-H 2	0911042-0	23	1-A24
0244019-6	199	1-I 8	0248248-7	197	1-I 6	0257767-4	141	1-F22	0911115-4	27	1-B 4
0244066-7	145	1-G 2	0248249-5	197	1-I 6	0261958-3	135	1-F16	0911165-9	157	1-G14
0244066-7	147	1-G 4	0248250-3	197	1-I 6	0270059-9	171	1-H 4	0911233-5	111	1-E16
0244073-3	199	1-I 8	0248251-1	197	1-I 6	0270059-9	173	1-H 6	0911261-6	201	1-I10
0244074-1	199	1-I 8	0248294-1	187	1-H20	0270110-0	125	1-F 6	0911294-7	35	1-B12
0244077-4	199	1-I 8	0248295-8	187	1-H20	0271316-2	177	1-H10	0911323-4	57	1-C10
0244083-2	199	1-I 8	0248296-6	187	1-H20	0284393-6	25	1-B 2	0911428-1	123	1-F 4
0244084-0	199	1-I 8	0248297-4	187	1-H20	0291009-9	19	1-A20	0911584-1	55	1-C 8
0244236-6	157	1-G14	0248298-2	187	1-H20	0323297-2	109	1-E14	0911841-5	51	1-C 4
0244237-4	155	1-G12	0248299-0	187	1-H20	0339421-0	147	1-G 4	0911853-0	151	1-G 8
0244247-3	161	1-G18	0248300-6	187	1-H20	0339942-5	147	1-G 4	0912007-2	105	1-E10
0244256-4	199	1-I 8	0248302-2	187	1-H20	0511069-7	115	1-E20	0912069-2	129	1-F10
0244257-2	199	1-I 8	0248305-5	187	1-H20	0511069-7	119	1-E24	0912187-2	201	1-I10
0244259-8	199	1-I 8	0248431-9	51	1-C 4	0627265-2	177	1-H10	0912201-1	201	1-I10
0244311-7	191	1-H24	0248504-3	95	1-D24	0722883-6	201	1-I10	0912261-5	179	1-H12
0244312-5	191	1-H24	0248969-8	15	1-A16	0722884-4	201	1-I10	0912369-6	141	1-F22
0244314-1	191	1-H24	0248969-8	31	1-B 8	0800393-1	139	1-F20	0912415-7	19	1-A20
0244322-4	191	1-H24	0248970-6	29	1-B 6	0800402-0	139	1-F20	0912420-7	33	1-B10
0244324-0	199	1-I 8	0249037-3	179	1-H12	0800410-3	139	1-F20	0912441-3	83	1-D12
0244329-9	191	1-H24	0249765-9	197	1-I 6	0800531-6	139	1-F20	0912495-9	105	1-E10
0244441-2	167	1-G24	0249928-3	71	1-C24	0800532-4	139	1-F20	0912589-9	51	1-C 4
0244457-8	159	1-G16	0250060-1	49	1-C 2	0800781-7	169	1-H 2	0912597-2	49	1-C 2
0244504-7	55	1-C 8	0250243-3	135	1-F16	0800781-7	175	1-H 8	0912725-9	37	1-B14
0244505-4	55	1-C 8	0250271-4	61	1-C14	0900366-6	33	1-B10	0912726-7	201	1-I10
0244520-3	195	1-I 4	0250279-7	171	1-H 4	0900367-4	49	1-C 2	0912731-7	31	1-B 8
0244522-9	195	1-I 4	0250279-7	173	1-H 6	0900369-0	55	1-C 8	0912739-0	31	1-B 8
0244523-7	195	1-I 4	0250291-2	131	1-F12	0900703-0	143	1-F24	0912740-8	201	1-I10
0244550-0	87	1-D16	0250293-8	65	1-C18	0900727-9	101	1-E 6	0912795-2	27	1-B 4
0244861-1	111	1-E16	0250293-8	67	1-C20	0901470-5	35	1-B12	0912803-4	69	1-C22
0244961-9	137	1-F18	0250294-6	67	1-C20	0901651-0	59	1-C12	0912836-4	151	1-G 8
0245301-7	191	1-H24	0250300-1	65	1-C18	0901653-6	45	1-B22	0912968-5	157	1-G14
0245685-3	171	1-H 4	0250300-1	67	1-C20	0901678-3	199	1-I 8	0913040-2	81	1-D10
0245685-3	173	1-H 6	0250301-9	83	1-D12	0901723-7	197	1-I 6	0913233-3	83	1-D12
0245858-6	93	1-D22	0250355-5	173	1-H 6	0902870-5	23	1-A24	0913234-1	73	1-D 2
0245867-7	157	1-G14	0250964-4	155	1-G12	0903835-7	55	1-C 8	0913285-3	83	1-D12
0245868-5	157	1-G14	0250974-3	67	1-C20	0903910-8	61	1-C14	0913472-7	155	1-G12
0246035-0	171	1-H 4	0250976-8	67	1-C20	0904001-5	103	1-E 8	0913498-2	189	1-H22
0246282-8	77	1-D 6	0250977-6	65	1-C18	0904020-5	169	1-H 2	0913526-0	27	1-B 4
0246365-1	155	1-G12	0250977-6	67	1-C20	0904204-5	31	1-B 8	0913790-2	197	1-I 6
0246375-0	49	1-C 2	0251696-1	197	1-I 6	0904206-0	19	1-A20	0913840-5	77	1-D 6
0246722-3	159	1-G16	0251700-1	197	1-I 6	0904209-4	31	1-B 8	0913846-2	155	1-G12
0246724-9	87	1-D16	0251701-9	197	1-I 6	0905119-4	169	1-H 2	0914014-6	143	1-F24
0247258-7	173	1-H 6	0251703-5	199	1-I 8	0905121-0	61	1-C14	0914198-7	171	1-H 4
0247366-8	29	1-B 6	0252471-8	159	1-G16	0905123-6	167	1-G24	0914392-6	171	1-H 4
0247496-3	101	1-E 6	0252493-2	199	1-I 8	0905126-9	167	1-G24	0914393-4	25	1-B 2
0247506-9	147	1-G 4	0253272-9	175	1-H 8	0905360-4	121	1-F 2	0914465-0	105	1-E10
0247515-0	87	1-D16	0253441-0	113	1-E18	0906938-6	77	1-D 6	0914466-8	199	1-I 8
0247517-6	99	1-E 4	0253441-0	117	1-E22	0907676-1	53	1-C 6	0914670-5	33	1-B10
0247537-4	99	1-E 4	0253690-2	57	1-C10	0907894-0	43	1-B20	0914684-6	67	1-C20
0247563-0	173	1-H 6	0254407-0	77	1-D 6	0908865-9	77	1-D 6	0914687-9	143	1-F24
0247592-9	157	1-G14	0254696-8	171	1-H 4	0909055-6	77	1-D 6	0914880-0	199	1-I 8
0247593-7	157	1-G14	0254696-8	173	1-H 6	0910013-2	169	1-H 2	0915011-1	139	1-F20
0247596-0	155	1-G12	0254697-6	171	1-H 4	0910125-4	69	1-C22	0915276-0	153	1-G10
0247625-7	21	1-A22	0254848-5	95	1-D24	0910130-4	35	1-B12	0915315-6	199	1-I 8
0247627-3	101	1-E 6	0254891-5	49	1-C 2	0910157-7	137	1-F18	0915485-7	113	1-E18
0247628-1	101	1-E 6	0255017-6	187	1-H20	0910184-1	23	1-A24	0915500-3	141	1-F22

I-40 & I-400 TRACTORS
ENGINE

CYLINDER HEAD
GASOLINE

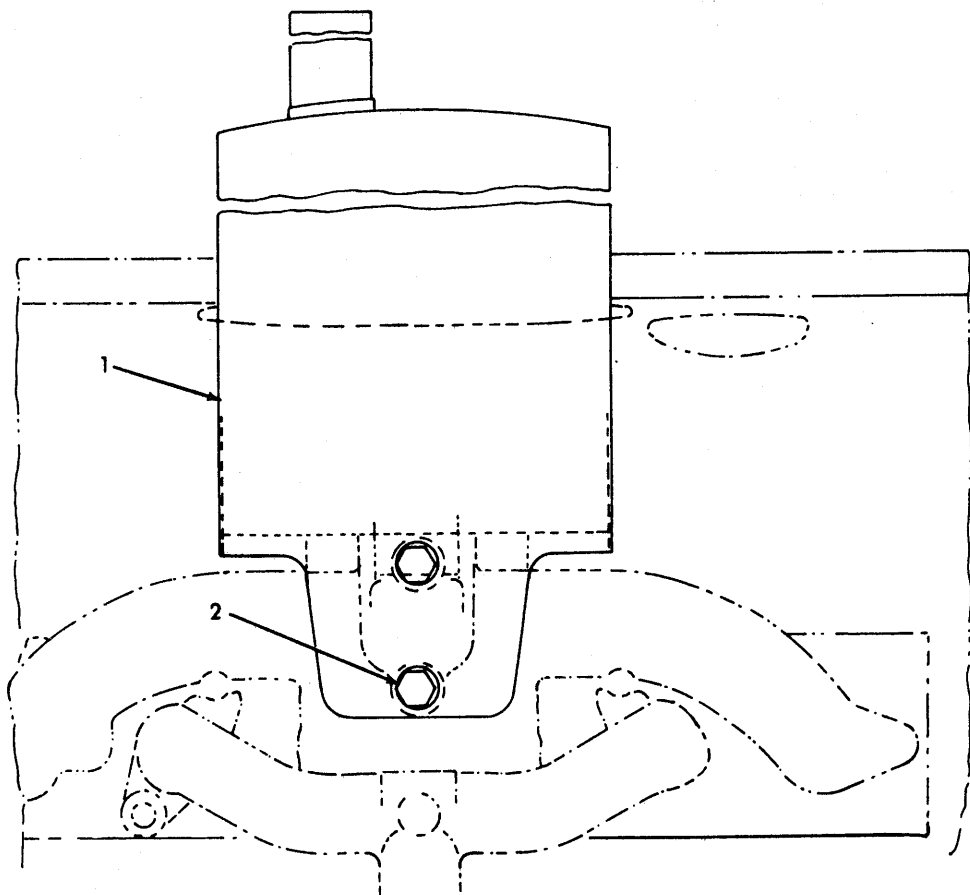


TIMING GEAR COVER
GASOLINE



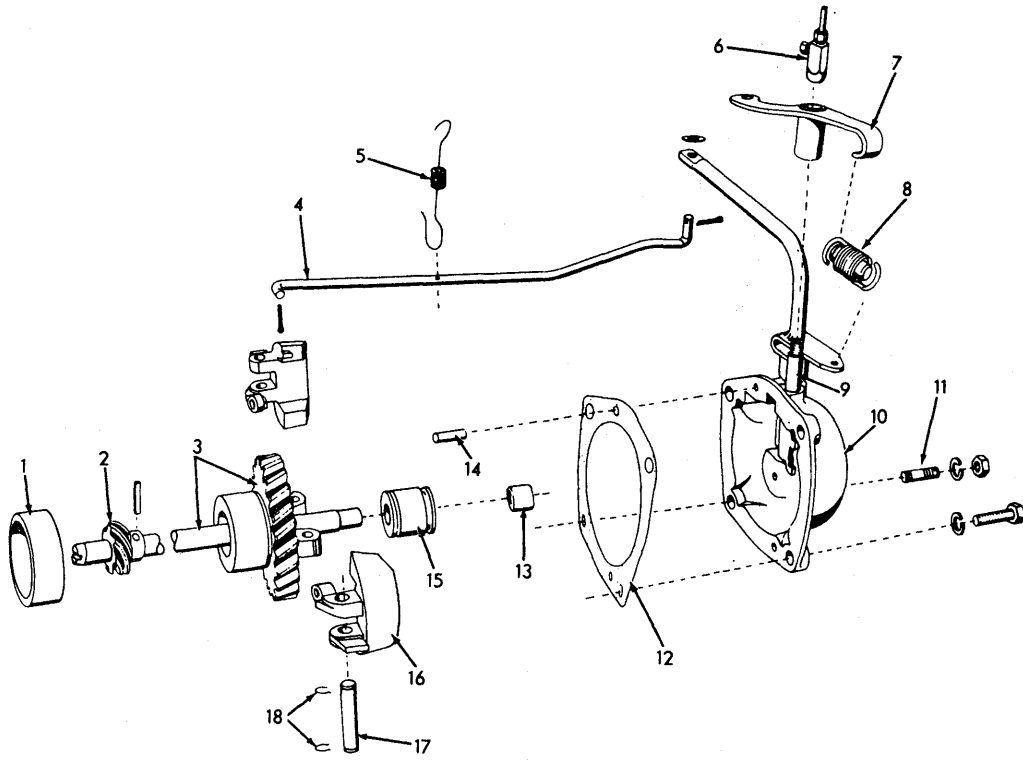
I-40 & I-400 TRACTORS
AIR INTAKE & EXHAUST SYSTEM

MUFFLER

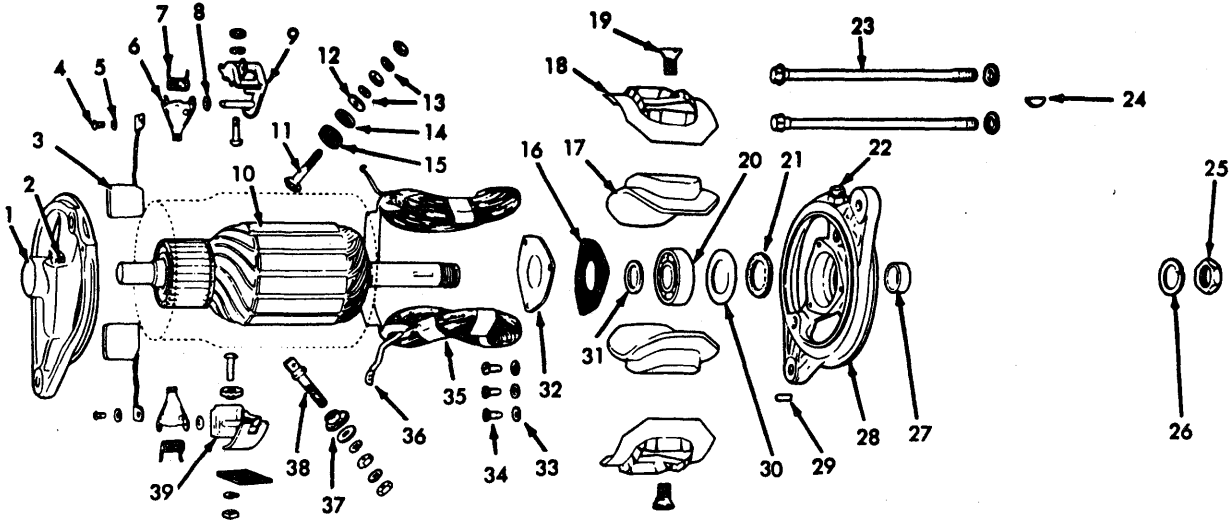


I-40 & I-400 TRACTORS
FUEL SYSTEM

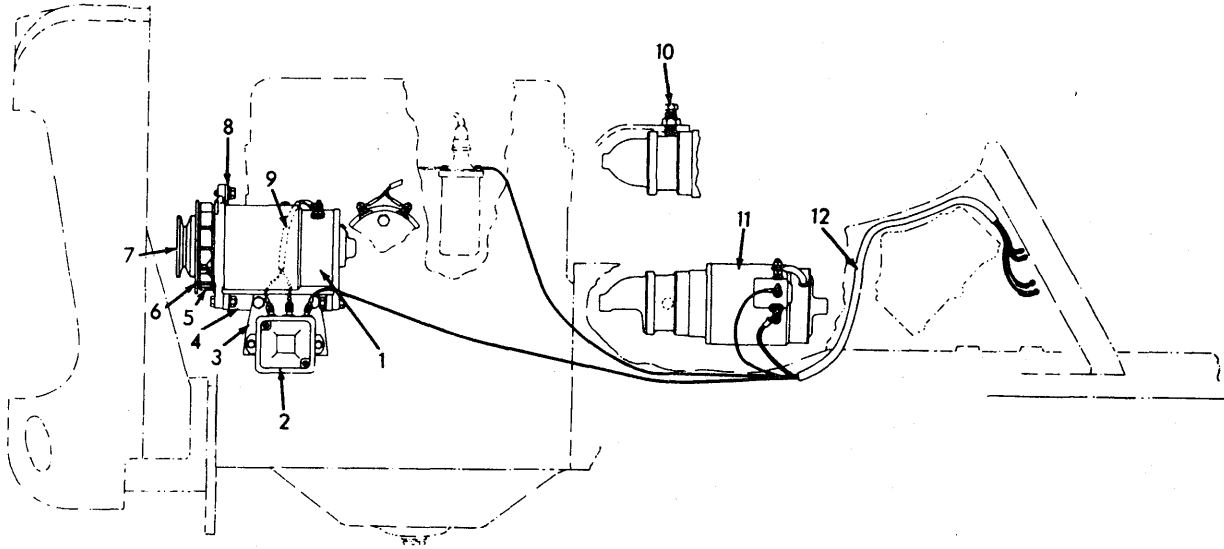
GOVERNOR



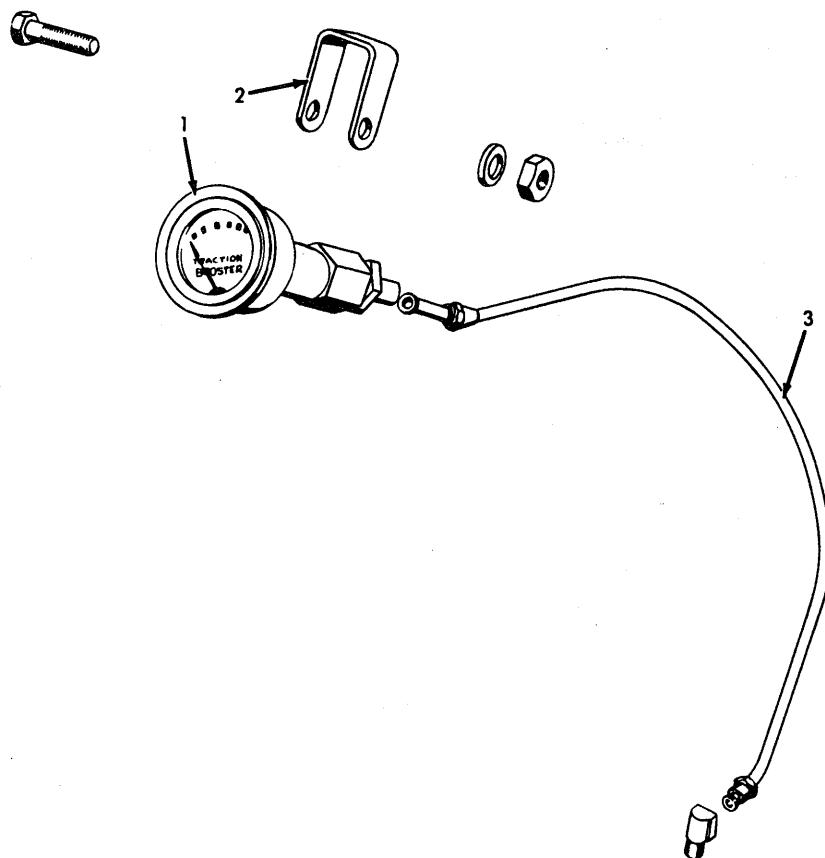
ENGINE ELECTRICAL SYSTEM
GENERATOR
GASOLINE



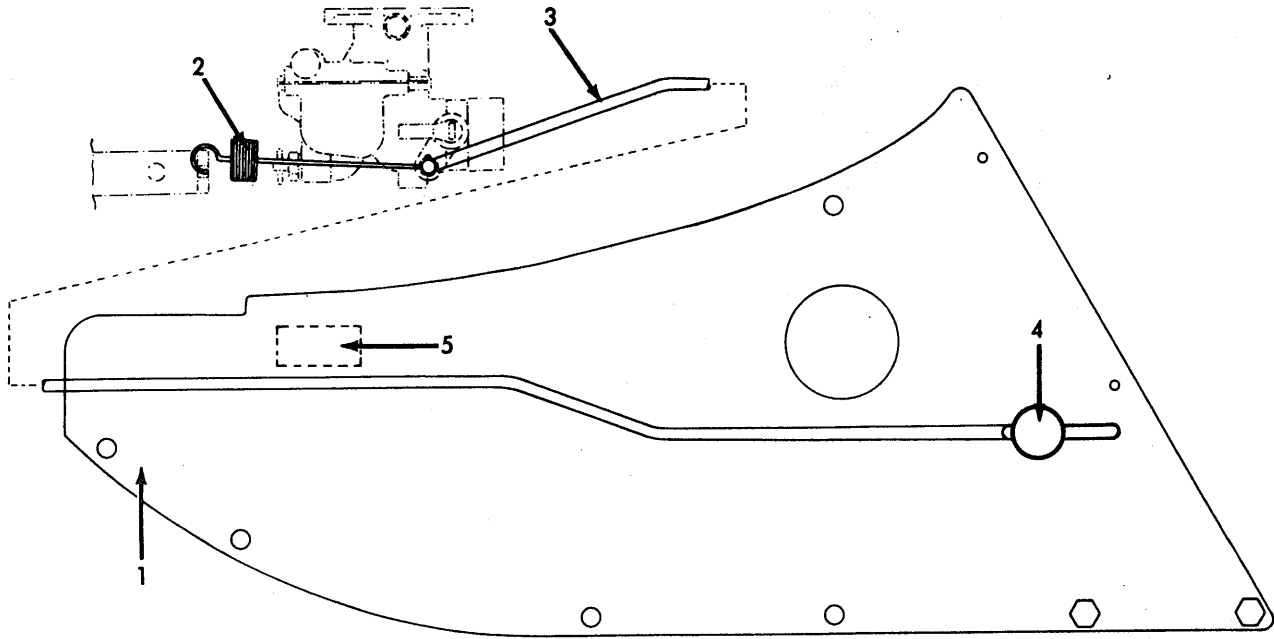
ENGINE ELECTRICAL SYSTEM
ELECTRIC STARTING & LIGHTING



TRACTION BOOSTER GAUGE



CHOKE CONTROL & SIDE SHEET



CLICK HERE TO **DOWNLOAD** THE COMPLETE MANUAL

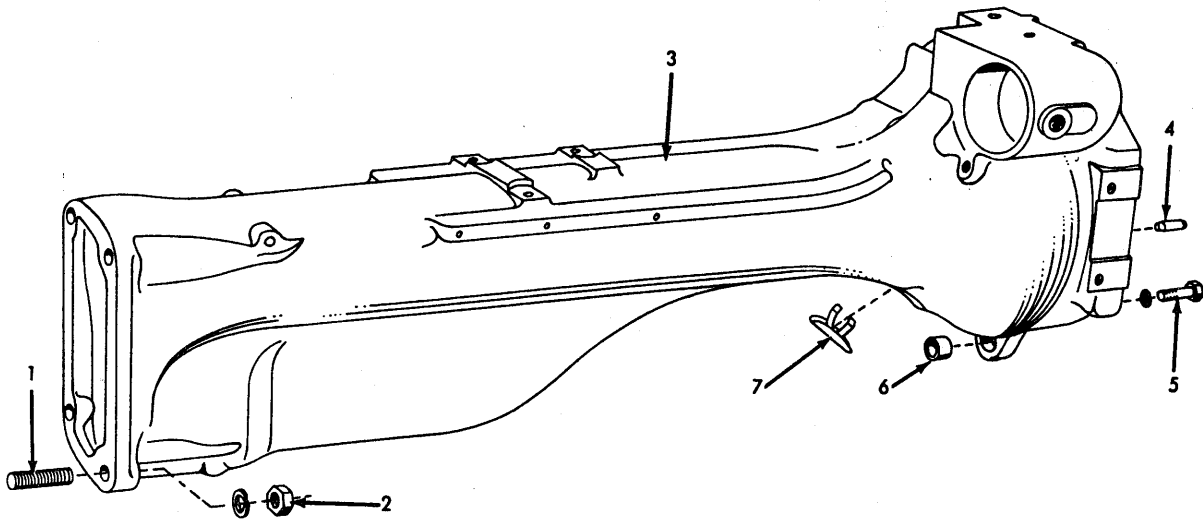
- Thank you very much for reading the preview of the manual.
- You can download the complete manual from: www.heydownloads.com by clicking the link below



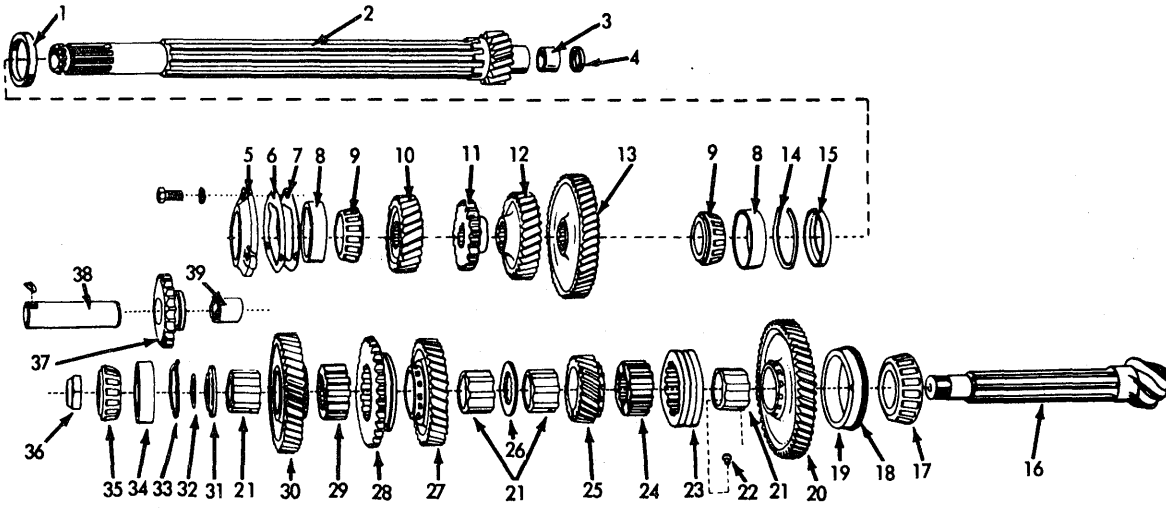
- Please note: If there is no response to CLICKING the link, please download this PDF first and then click on it.

CLICK HERE TO **DOWNLOAD** THE COMPLETE MANUAL

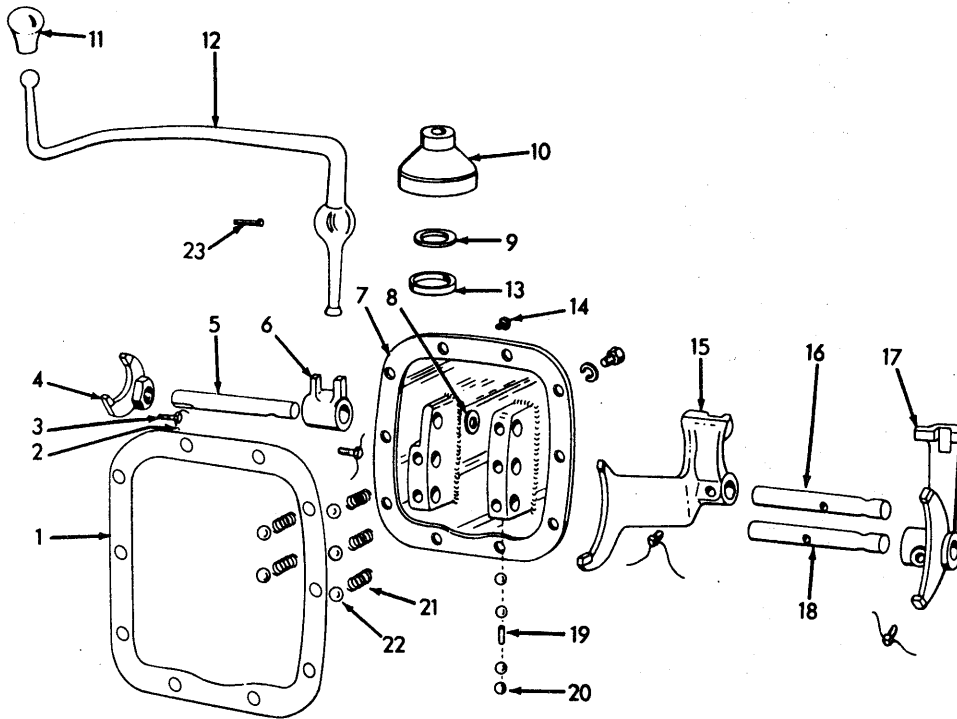
TRANSMISSION
TORQUE TUBE



TRANSMISSION
GEARS & SHAFTS

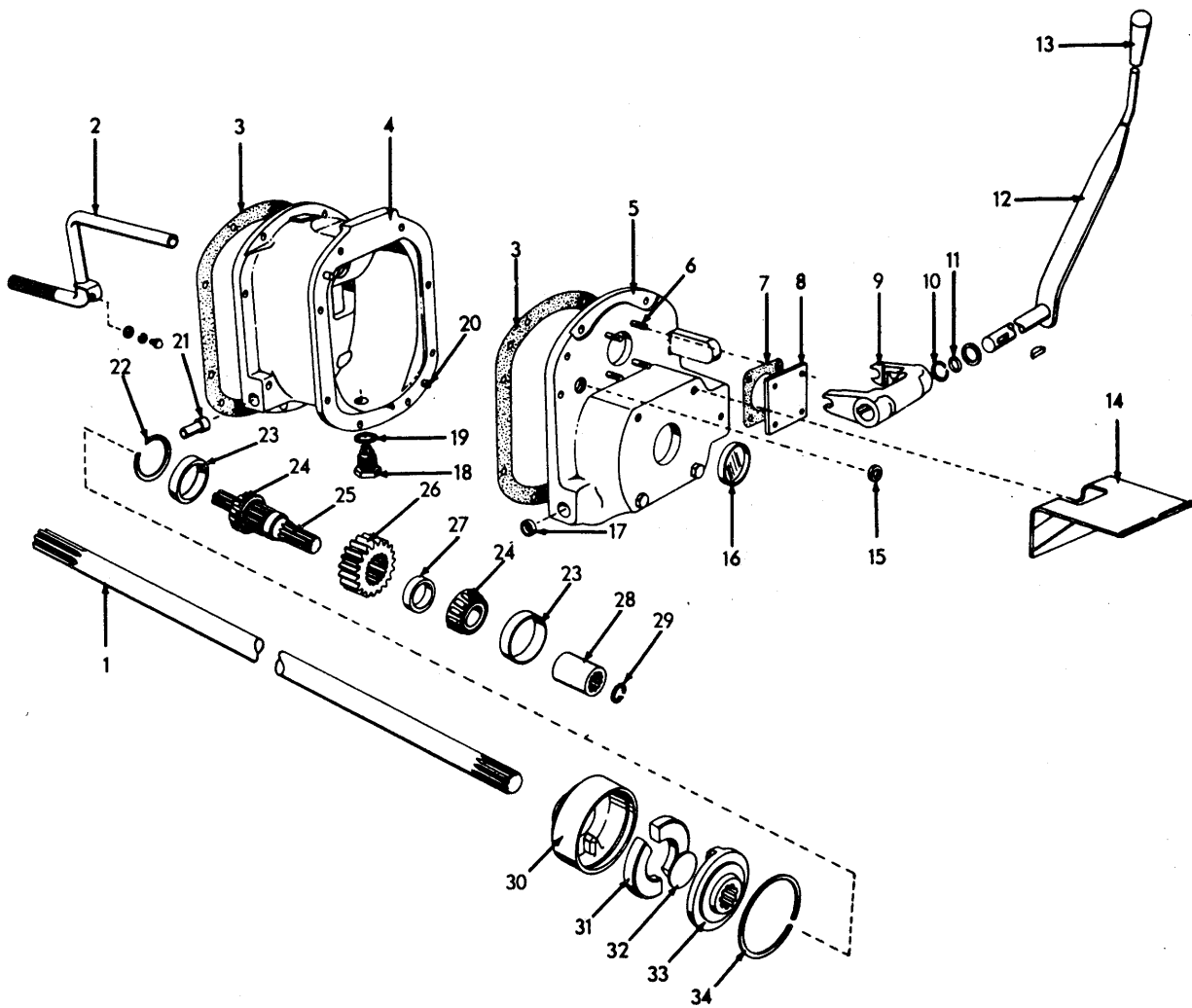


TRANSMISSION
GEAR SHIFT



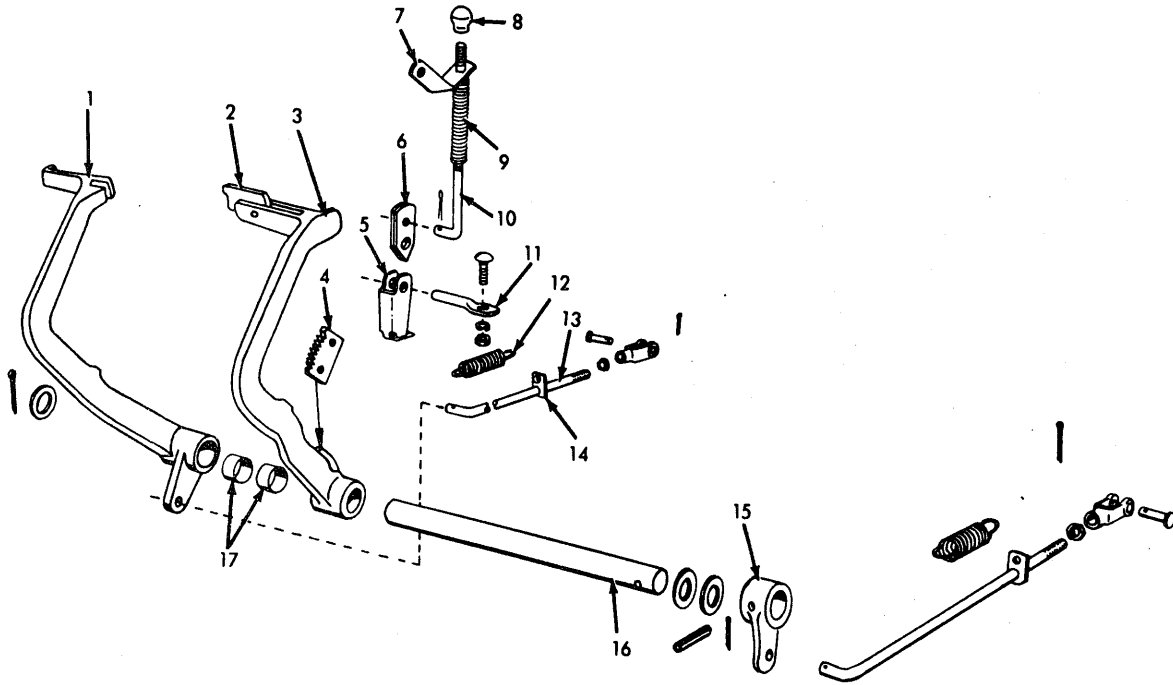
I-40 & I-400 TRACTORS
DRIVE TRAIN

P.T.O.
HOUSING & DRIVE



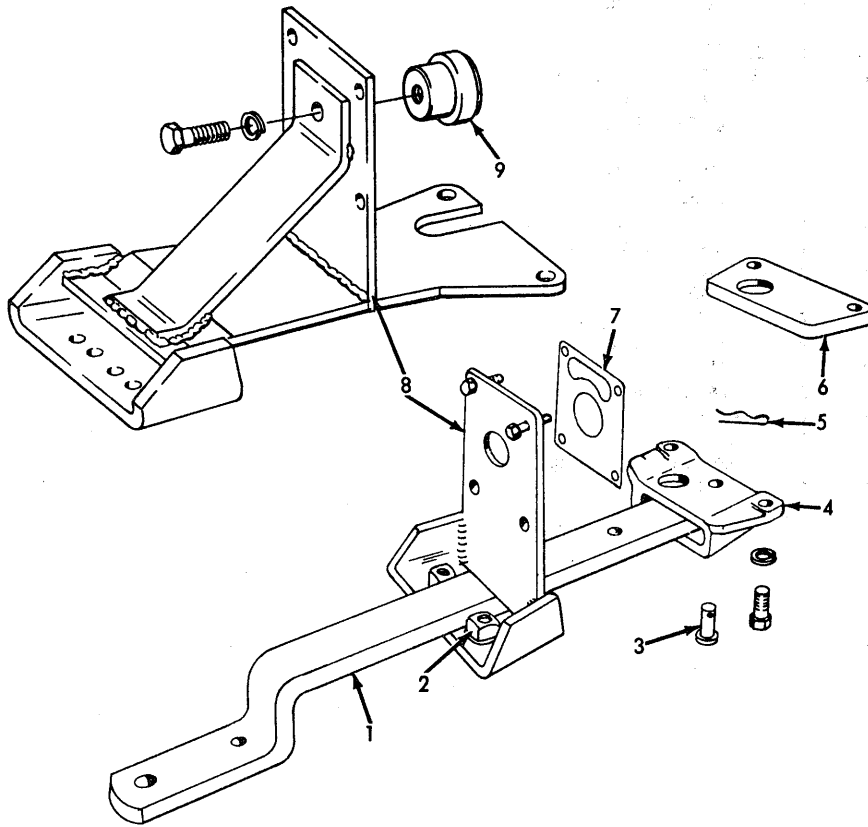
I-40 & I-400 TRACTORS
BRAKE SYSTEM

BRAKE CONTROL



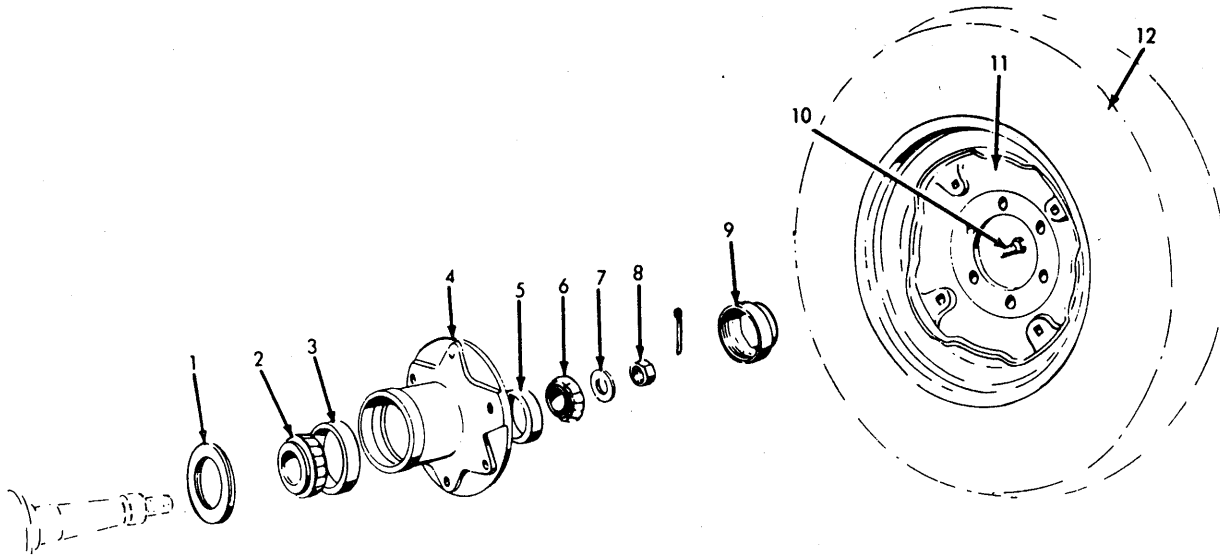
I-40 & I-400 TRACTORS
HITCH

DRAWBAR (RETRACTABLE)



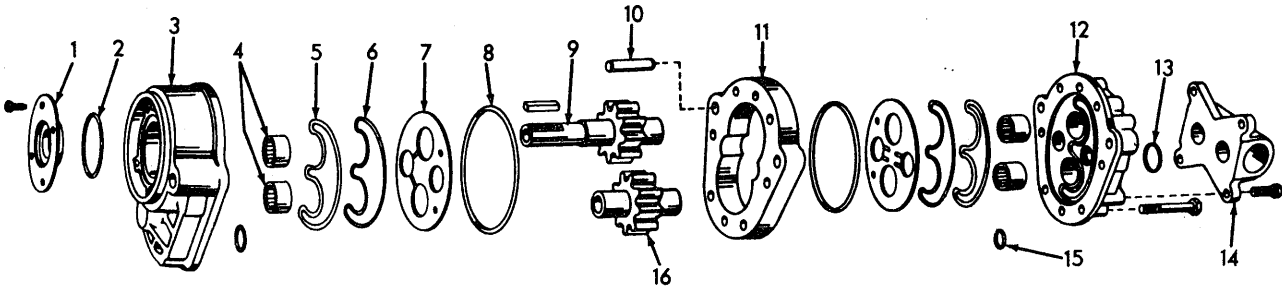
I-40 & I-400 TRACTORS
AXLE, STEERING & WHEELS

FRONT WHEEL



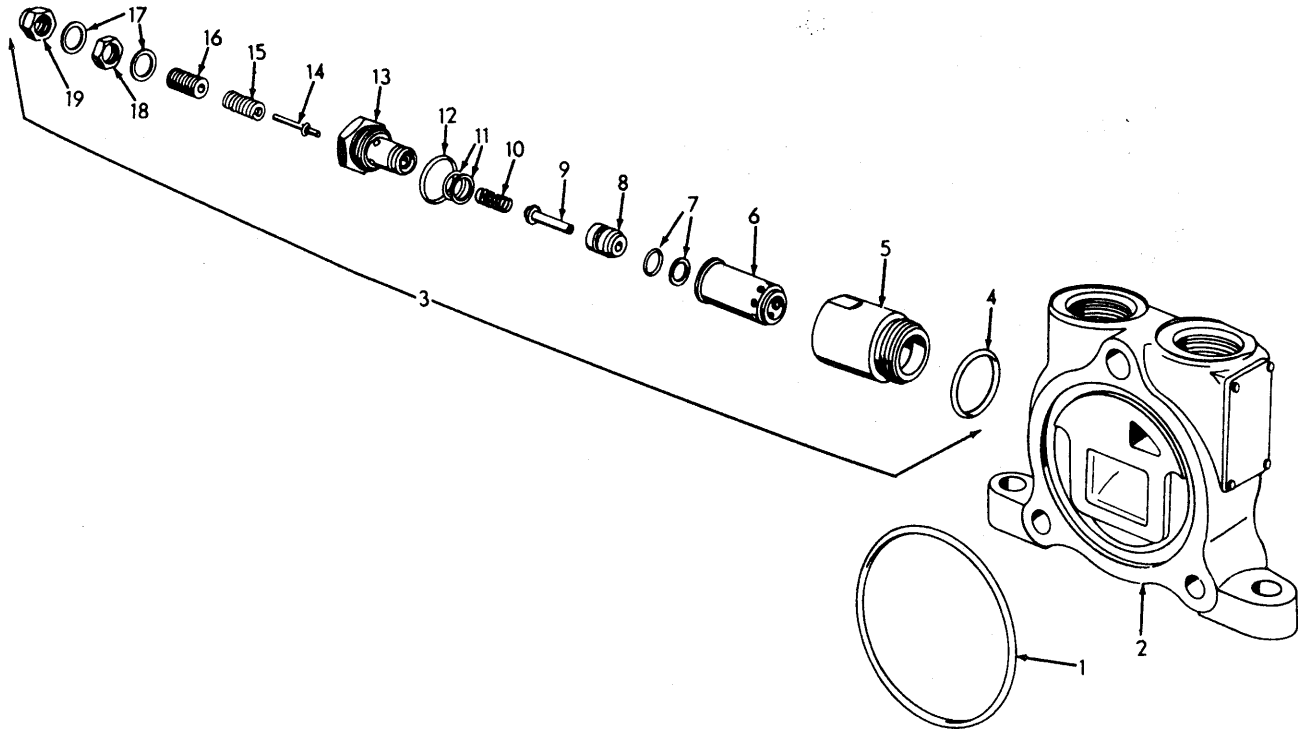
I-40 & I-400 TRACTORS
HYDRAULIC SYSTEM

HYDRAULIC PUMP
FRONT-MOUNTED (I-40)



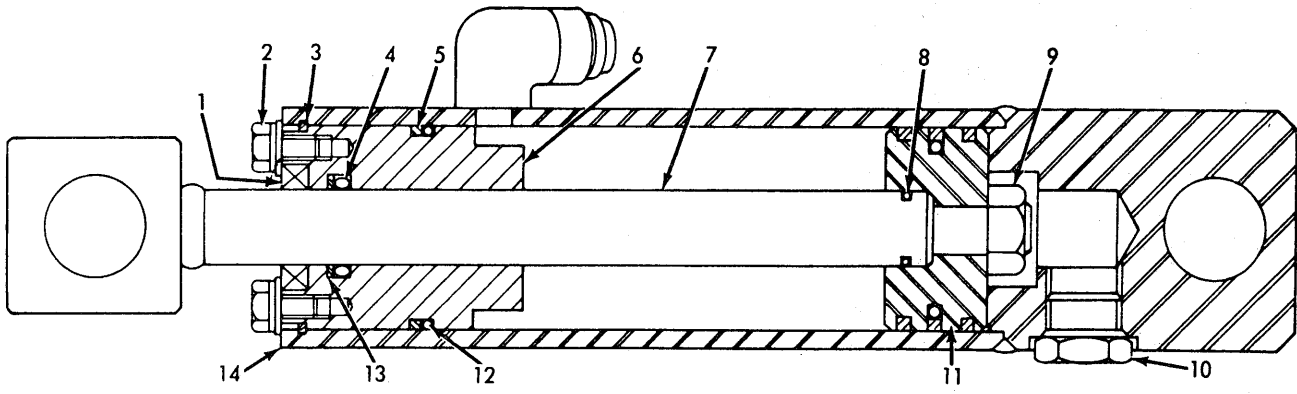
I-40 & I-400 TRACTORS
HYDRAULIC SYSTEM

VALVE SECTION
INLET



I-40 & I-400 TRACTORS
HYDRAULIC SYSTEM

ROCKSHAFT CYLINDER



CLICK HERE TO **DOWNLOAD** THE COMPLETE MANUAL

- Thank you very much for reading the preview of the manual.
- You can download the complete manual from: www.heydownloads.com by clicking the link below



- Please note: If there is no response to CLICKING the link, please download this PDF first and then click on it.

CLICK HERE TO **DOWNLOAD** THE COMPLETE MANUAL