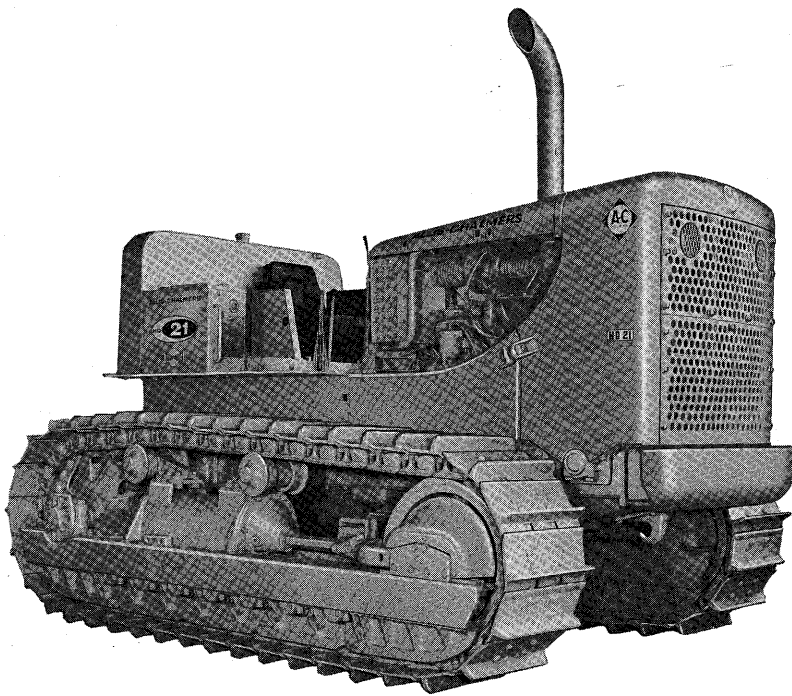


PARTS LIST

HD 21A TRACTOR

(Effective with Tractor Serial No. 12801)



ALLIS-CHALMERS MFG. CO.
MILWAUKEE, WISCONSIN, U. S. A.

LITHO IN U. S. A.

639111
(2-65)

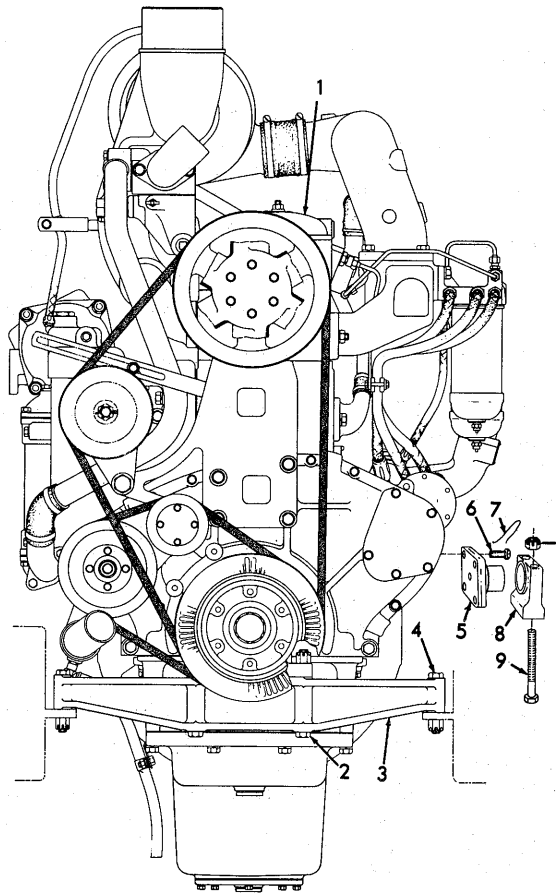
CLICK HERE TO **DOWNLOAD** THE COMPLETE MANUAL

- Thank you very much for reading the preview of the manual.
- You can download the complete manual from: www.heydownloads.com by clicking the link below



- Please note: If there is no response to CLICKING the link, please download this PDF first and then click on it.

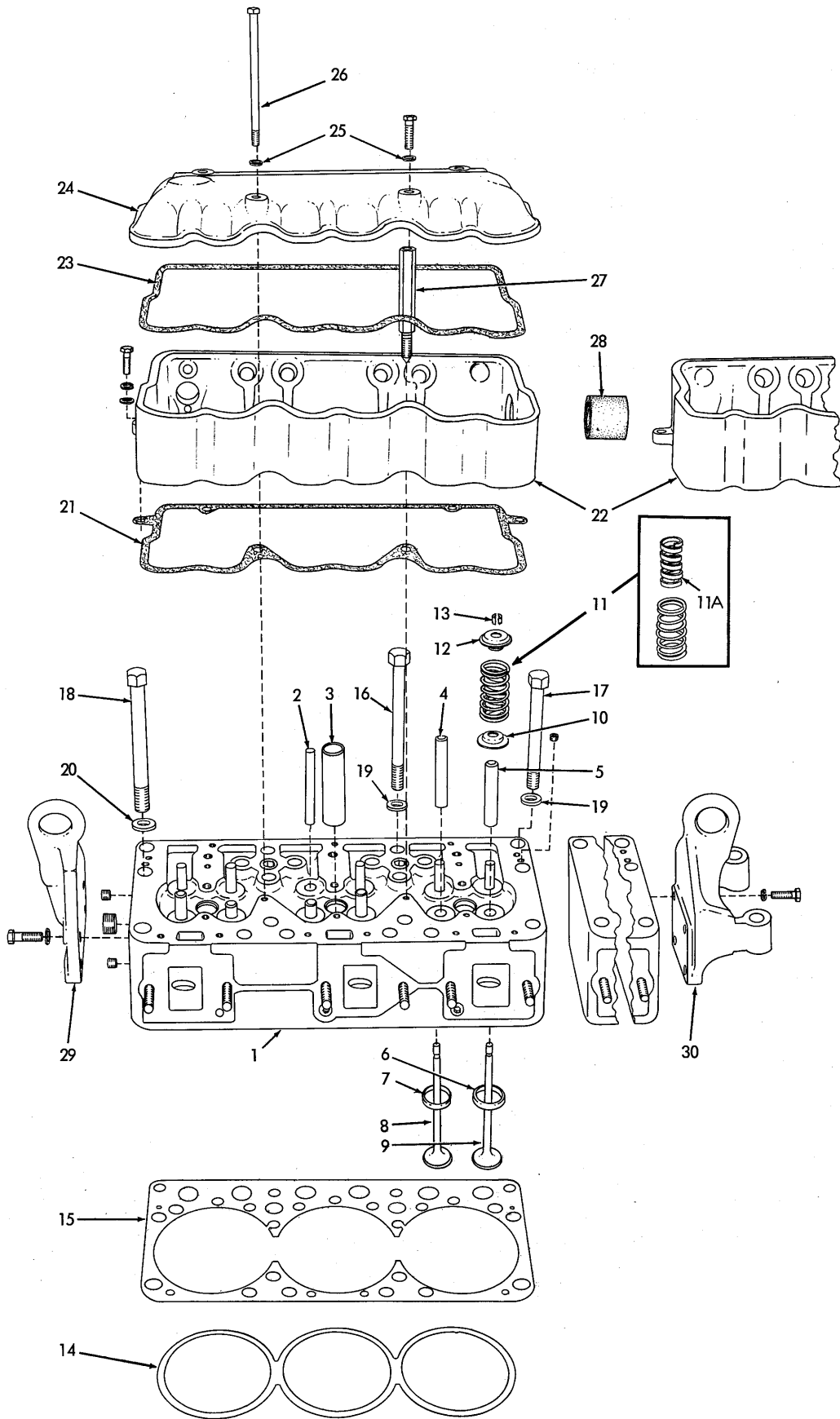
CLICK HERE TO **DOWNLOAD** THE COMPLETE MANUAL



T-39346

ENGINE AND MOUNTING

ITEM	PART NO.	QTY.	DESCRIPTION
1	4386317	1	ENGINE ASSEMBLY (Includes oil filters, oil cooler, water filter, fuel filter and turbocharger but does not include air cleaner, fan, generator or starter)
2	099061	2	CAPSCREW, engine mounting, front (5/8"NF x 5-3/4")
	913280	2	NUT, high, slotted, 5/8"NF
	900806	2	PIN, cotter, 1/8" x 1"
3	080809	1	HANGER, engine supporting, front end
4	099062	2	CAPSCREW, drilled-end, 5/8"NF x 4"
	913280	2	NUT, high, slotted, 5/8"NF
	900806	2	PIN, cotter, 1/8" x 1"
5	631774	2	TRUNNION, rear mounting
6	631570	8	CAPSCREW, drilled-hd., 5/8"NC x 1-1/2"
7	023633	4	WIRE, locking, 1/16" x 12"
8	631773	2	BRACKET, engine supporting, rear
9	630773	4	CAPSCREW, drilled-end, 3/4"NF x 7"
	910879	4	NUT, high, slotted, 3/4"NF
	900808	4	PIN, cotter, 1/8" x 1-1/2"

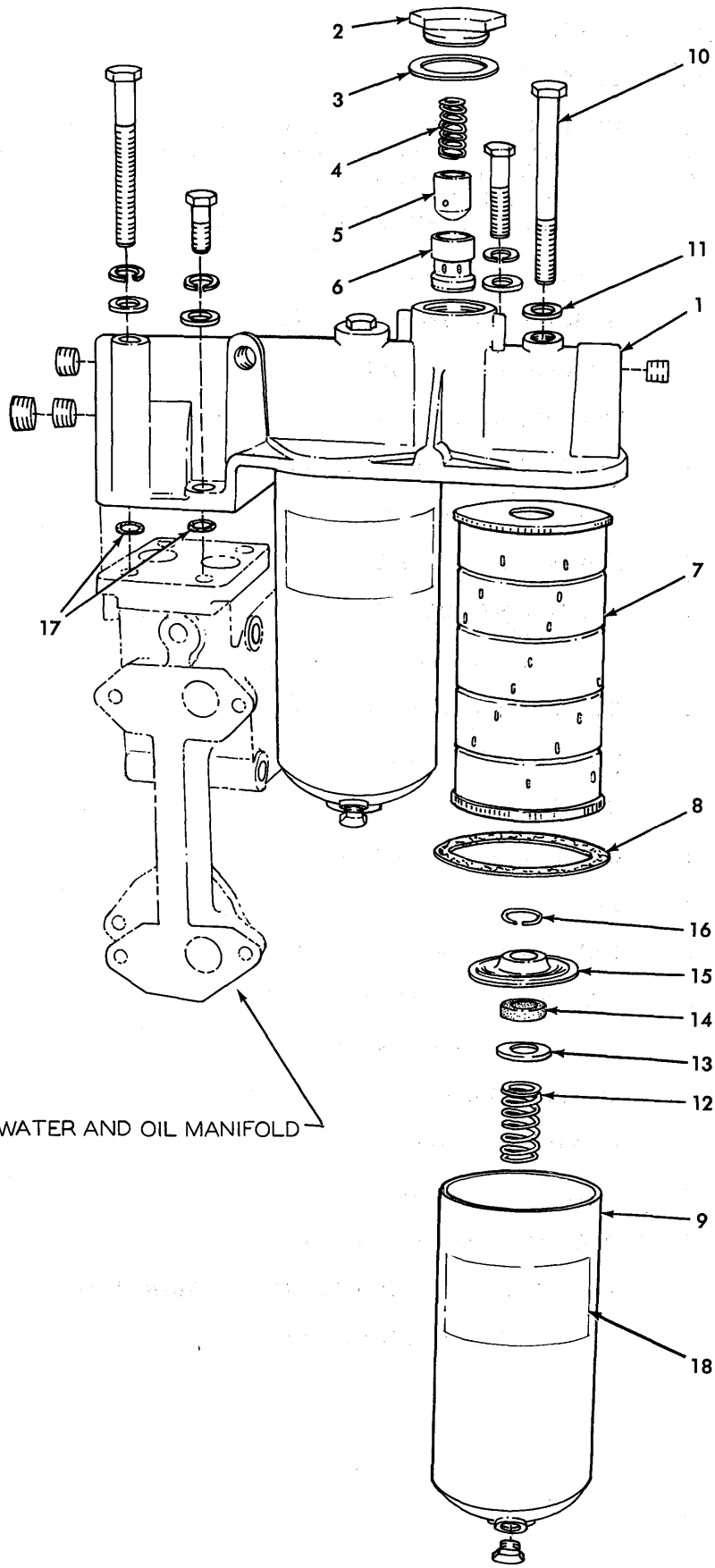


CYLINDER HEAD

T-37183

ACCESSORY DRIVE (Continued)

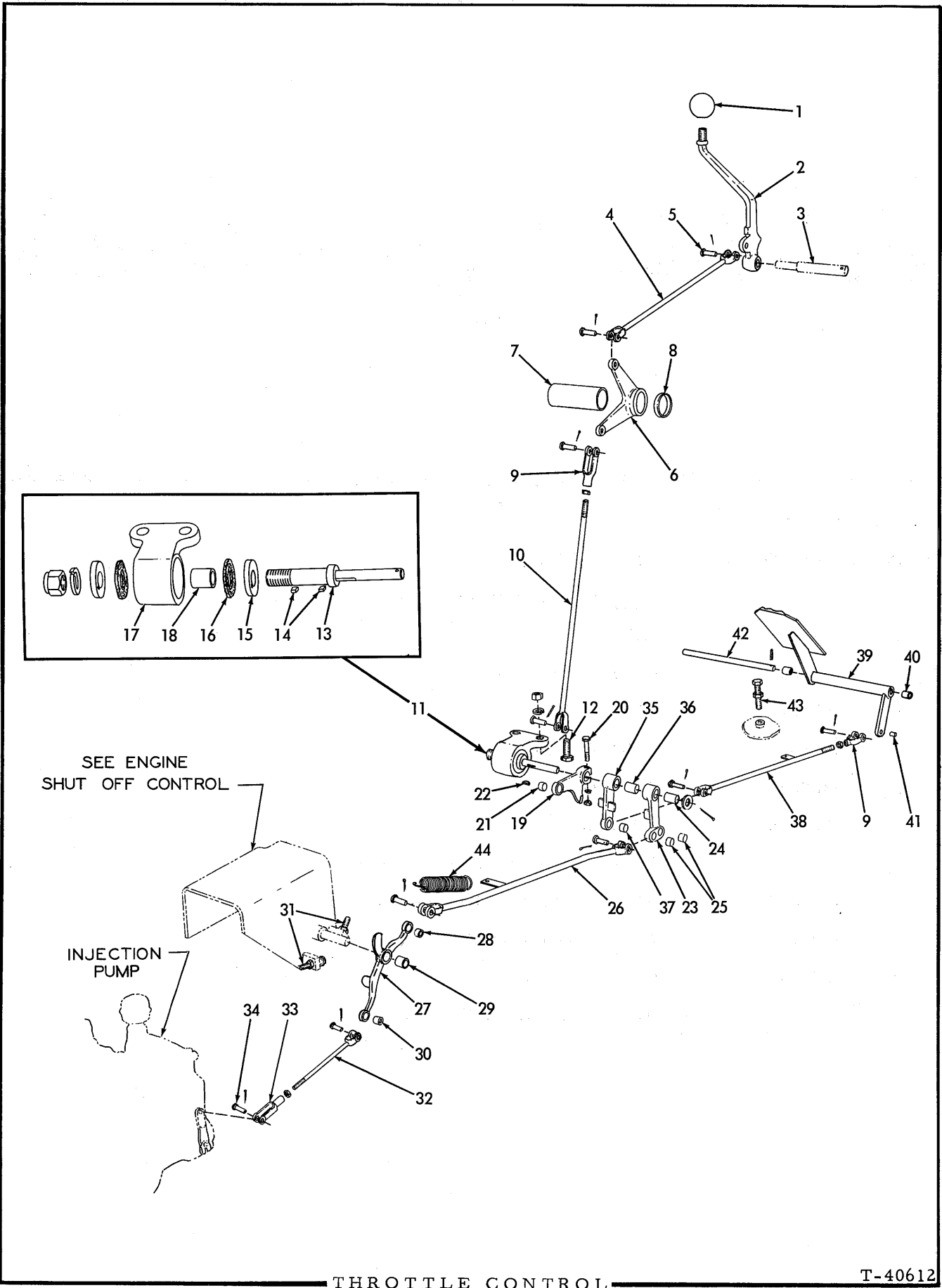
ITEM	PART NO.	QTY.	DESCRIPTION
23	4386713	5	STUD, housing cover
24	4368323	1	SEAL, oil, upper shaft
25	4251601	1	GASKET, tachometer drive adapter
26	4365627	1	ADAPTER, tachometer drive
27	4386879	1	SEAL, oil, lower shaft
28	4254742	1	RING, snap, bushing retaining
29	4377278	1	BUSHING, housing cover
30	4376702	1	SHAFT, lower
	917409	1	KEY, #9 woodruff, 3/16" x 3/4"
31	4369751	1	NUT, upper shaft
	900808	1	PIN, cotter, 1/8" x 1-1/2"
32	4376590	1	GEAR, driving, fuel transfer pump
33	4369712	1	GEAR, lower shaft (42 teeth)
34	4368154	1	WASHER, thrust, lower shaft, rear
	917014	2	PIN, dowel, 1/8" x 3/8"
35	4376602	1	HOUSING ASSEMBLY, (Includes item 36)
	917673	4	PLUG, pipe, hex-socket, 1/8"NPT
36	4369746	4	BUSHING, accessory drive housing
37	4362726	1	SHIM, lower shaft end-play adjustment (laminated)
38	4364166	1	WASHER, thrust, lower shaft, front
39	4371119	1	NUT, lower shaft
	900808	1	PIN, cotter, 1/8" x 1-1/2"
40	4376627	1	TUBE ASSEMBLY, lubricating oil (Includes nuts)
	910141	1	CONNECTOR, flare type, 1/4" tube, 1/8"NPT male
	913475	1	ELBOW, flare type, 1/4" tube, 1/8"NPT female
	917841	1	NIPPLE, pipe, 1/8"NPT x 7/8"
	907013	1	ELBOW, street, brass, 90°, 1/8"NPT
41	4361829	1	CLIP, tube supporting
	4335669	1	CAPSCREW, drilled-hd., 1/4"NC x 1/2"
42	904204	1	LOCKWASHER, 1/4"
	4348691	1	WIRE, locking, #18 x 6"
43	4389393	1	ADAPTER, pump drive (Used to adapt SHAFT 4388889 as service substitute for SHAFT 4371740)



WATER AND OIL MANIFOLD

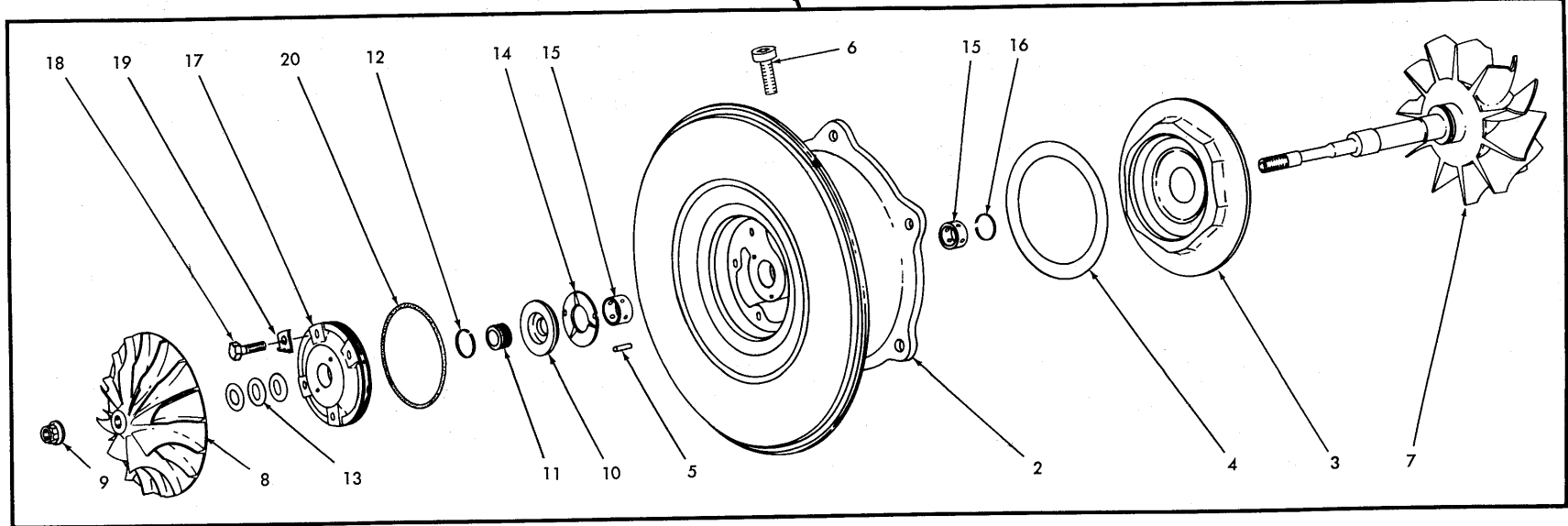
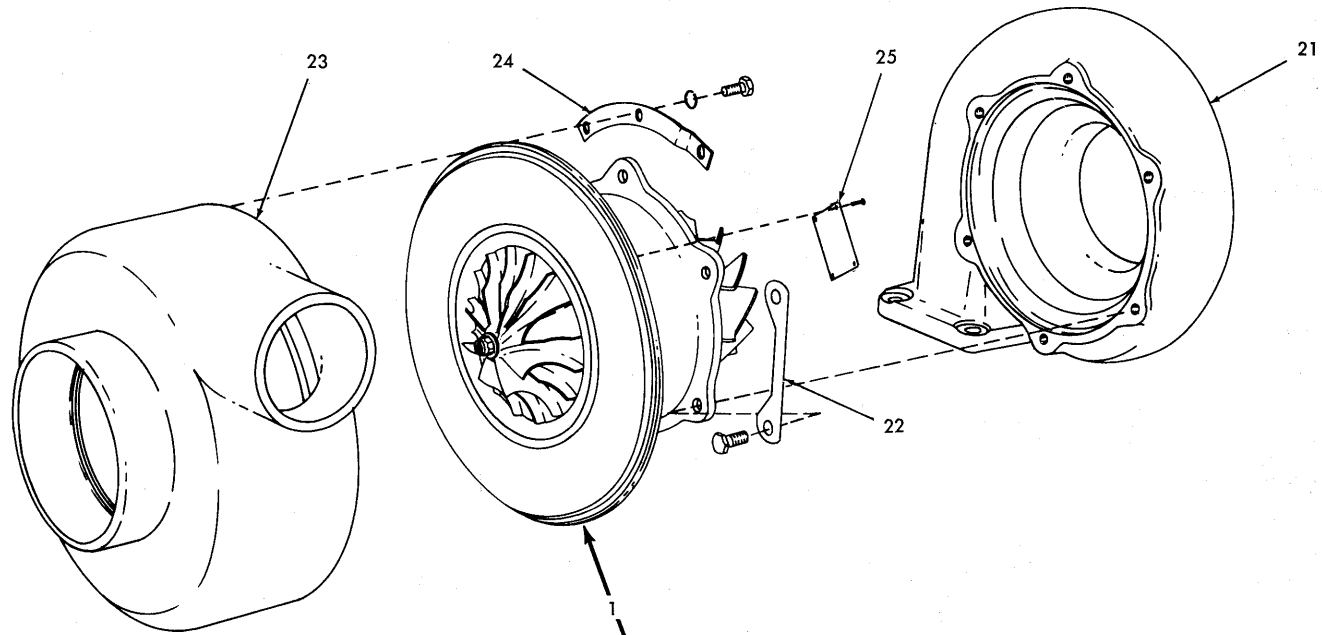
OIL FILTER (Second type)

T-70444



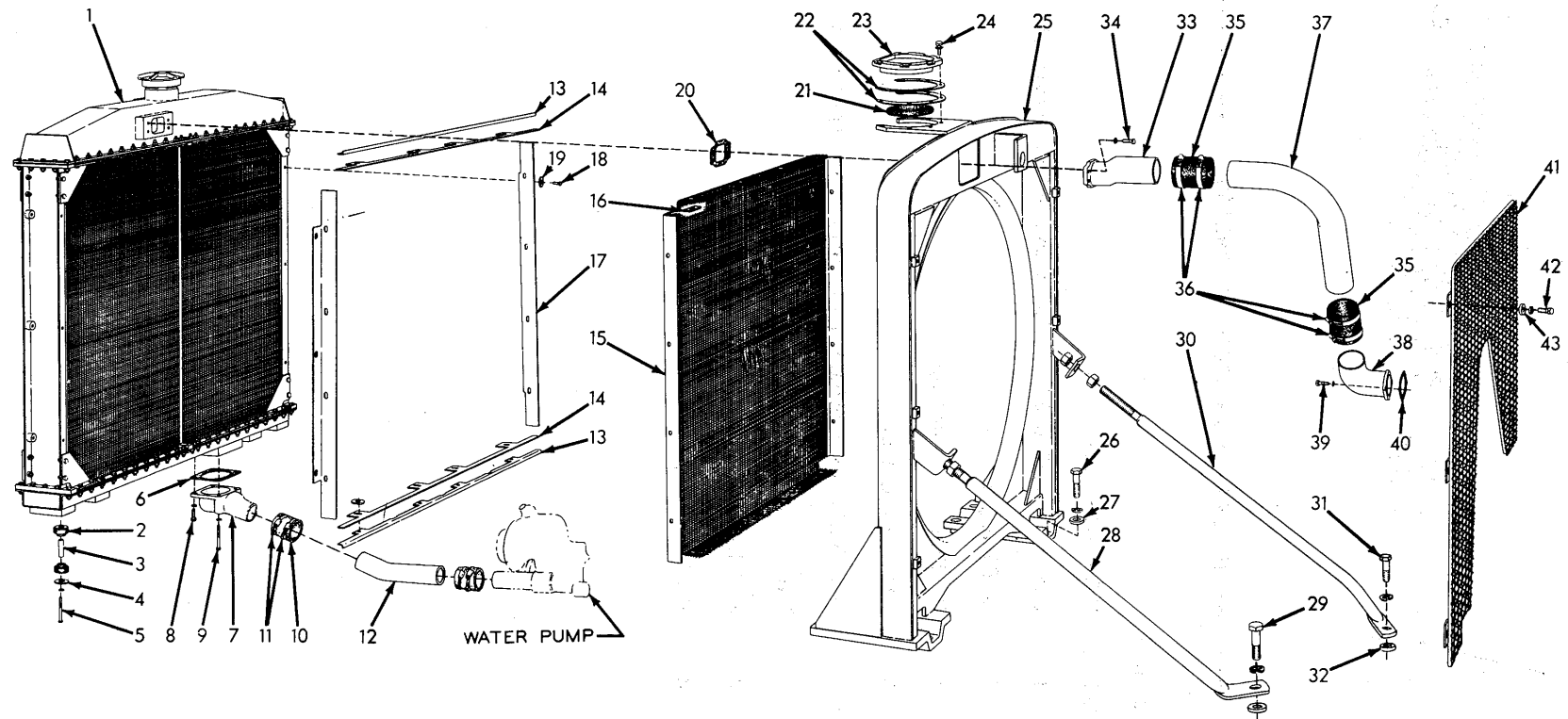
THROTTLE CONTROL

T-40612



TURBOCHARGER PARTS

T-36187

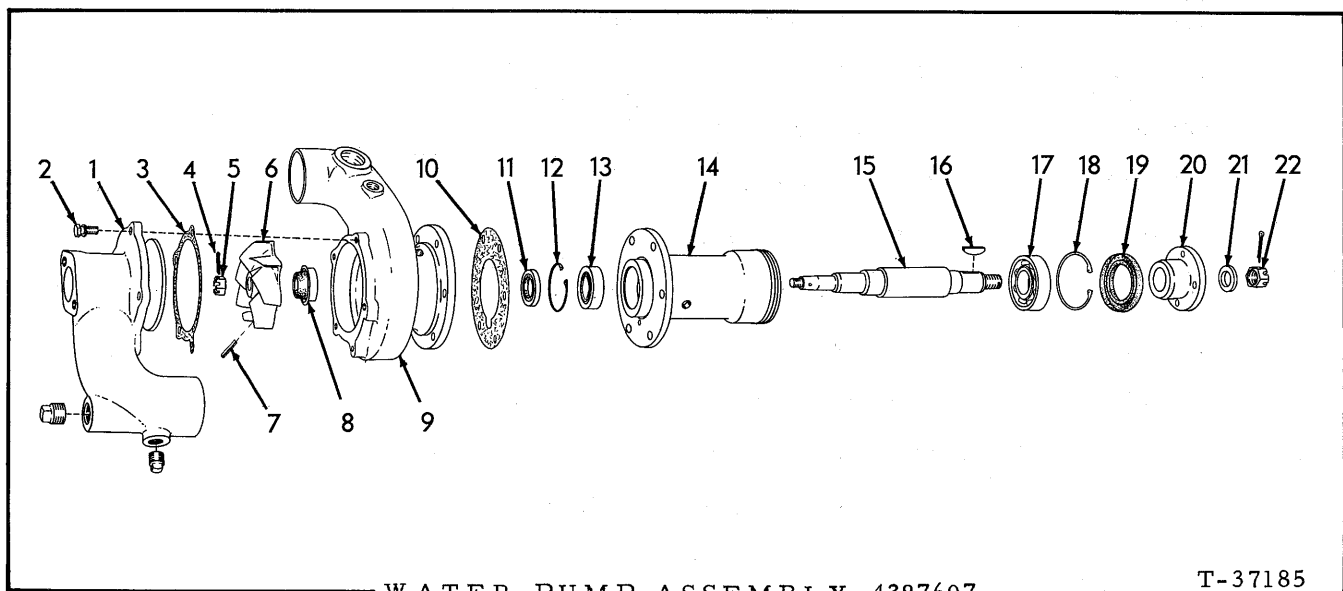


RADIATOR AND MOUNTING

WATER PUMP (Continued)

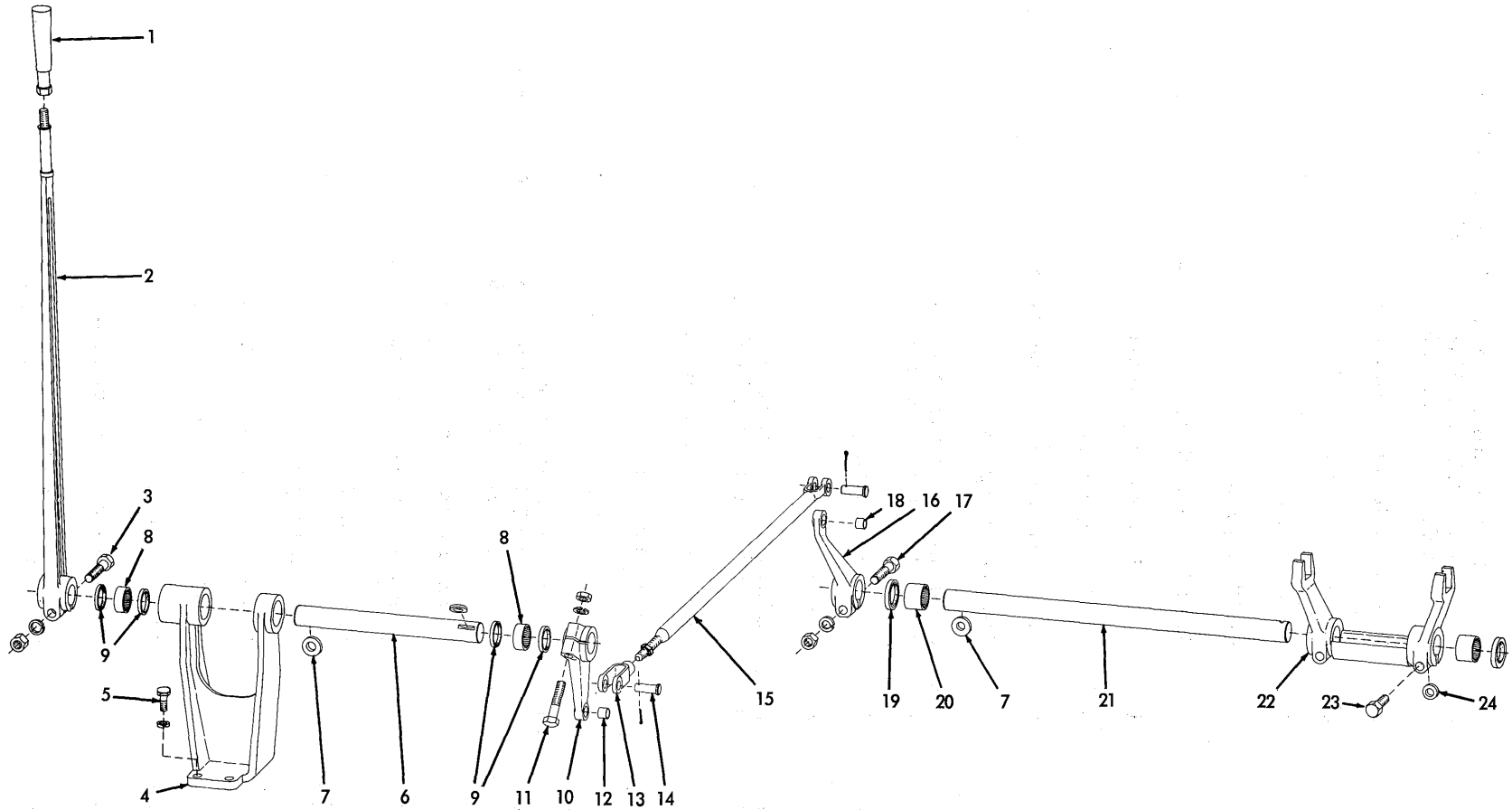
ITEM	PART NO.	QTY.	DESCRIPTION
21	069657	1	CLIP, drain hose
22	035167	1	CAPSCREW, 3/8"NF x 7/8"
	904206	1	LOCKWASHER, 3/8"
	911041	1	NUT, 3/8"NF
23	605782	1	HOSE, lubricating (Effective with engine #21-05040)
	914464	1	ELBOW, adapting, 45°, 1/8"NPT male and female
	915275	1	FITTING, lubricating, 65°, 1/8"NPT
	903574	1	NUT, jam, 5/8"NC
24	4387993	1	BRACKET, lubricating hose (Effective with engine #21-05040)
	915408	2	CAPSCREW, 3/8"NC x 3/4"
	904206	2	LOCKWASHER, 3/8"
25	4371027	1	□GASKET, lubricating hose bracket (Effective with engine #21-05040)
26	-----	1	HOSE (See WATER INLET MANIFOLD AND HEAT EXCHANGER)

□ Also see PACKAGED PARTS



WATER PUMP ASSEMBLY 4387607

T-37185



ENGINE CLUTCH CONTROL

T-39327

TORQUE CONVERTER OIL SUPPLY (Continued)

ITEM	PART NO.	QTY.	DESCRIPTION
29	034265	1	CAP, oil level gauge
30	631280	1	GAUGE, oil level
31	089814	1	PLUG, oil filler
32	034269	1	GASKET, oil filler plug
33	631277	1	TUBE, oil filler (Used prior to tractor #13187)
	642680	1	TUBE, oil filler (Effective with tractor #13187)
34	631285	1	HOSE, oil filler tube
	921912	2	CLAMP, 1-1/16" to 2" diam.
35	631286	1	ADAPTER, oil tank (Used prior to tractor #13187)
36	053096	1	CLIP, tube supporting
37	070469	1	CAPSCREW, 1/2"NF x 1-1/4"
	904208	1	LOCKWASHER, 1/2"
	911043	1	NUT, 1/2"NF
38	631684	1	BRACKET, tube supporting
39	070960	2	CAPSCREW, 3/8"NC x 1-1/2"
	904206	2	LOCKWASHER, 3/8"
40	095869	2	CLIP, hose supporting (1-1/4" diam.)(Used prior to tractor #13738)
	632547	2	CLIP, hose supporting (1-1/2" diam.)(Effective with tractor #13738)
41	070467	1	CAPSCREW, 1/2"NF x 1"
	904208	1	LOCKWASHER, 1/2"
	910244	1	WASHER, plain, SAE std., 1/2"
42	091553	1	SPACER, hose clip
43	641500	1	HOSE, oil return elbow (Effective with tractor #13187)
	921914	4	CLAMP, hose, 2-5/16" to 3-1/4" diam.
44	642685	1	ELBOW, oil tank to flywheel housing (Effective with tractor #13187)
45	035733	3	CAPSCREW, 1/2"NC x 1-3/8"
46	041481	1	CAPSCREW, drilled-hd., 1/2"NC x 2-1/4"
47	054069	1	CAPSCREW, drilled-hd., 1/2"NC x 2"
48	023633	1	WIRE, locking, 1/16" x 12"
	904208	4	LOCKWASHER, 1/2"
49	640636	1	GASKET, oil return elbow (Effective with tractor #13187)

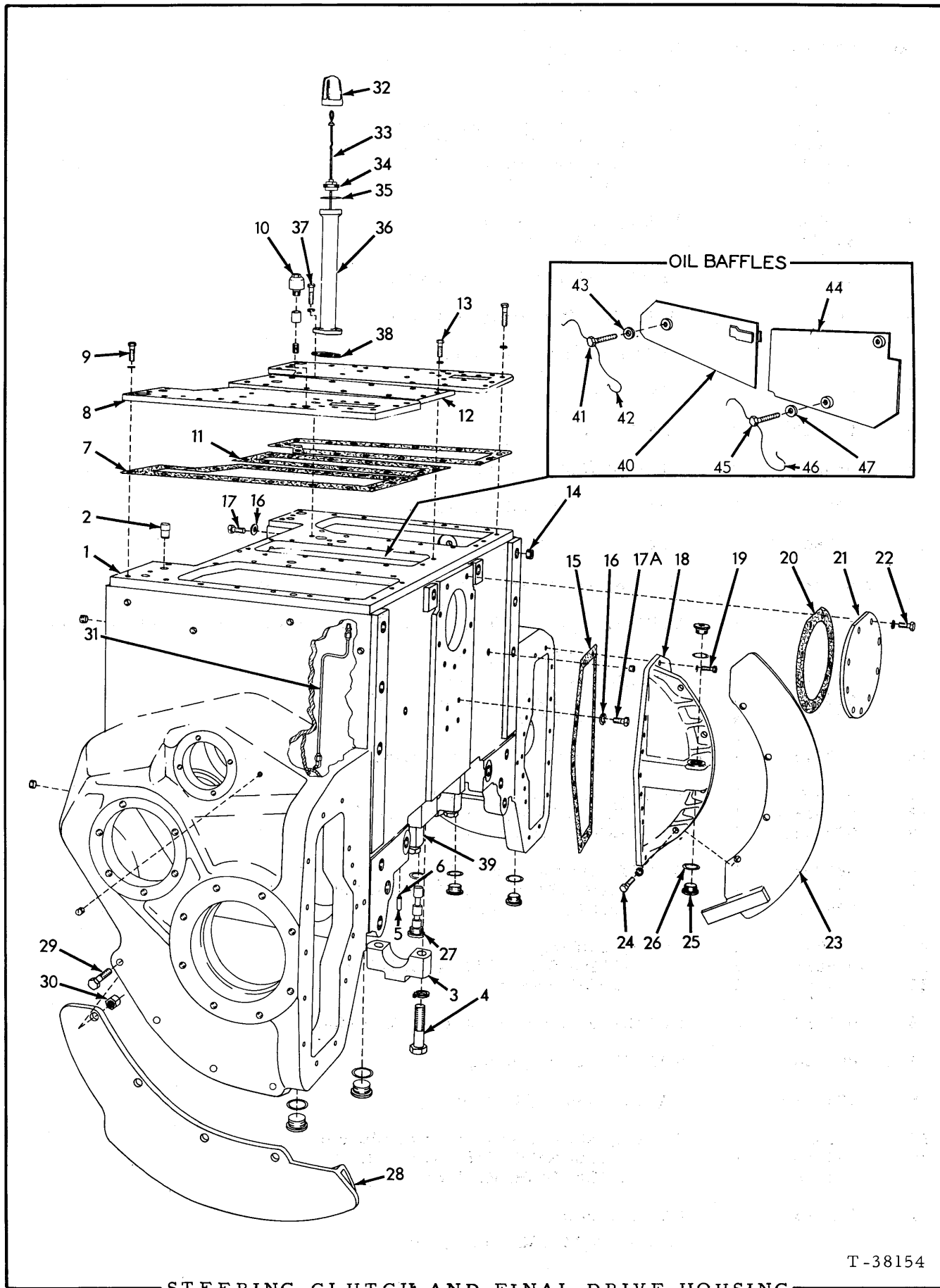
CLICK HERE TO **DOWNLOAD** THE COMPLETE MANUAL

- Thank you very much for reading the preview of the manual.
- You can download the complete manual from: www.heydownloads.com by clicking the link below



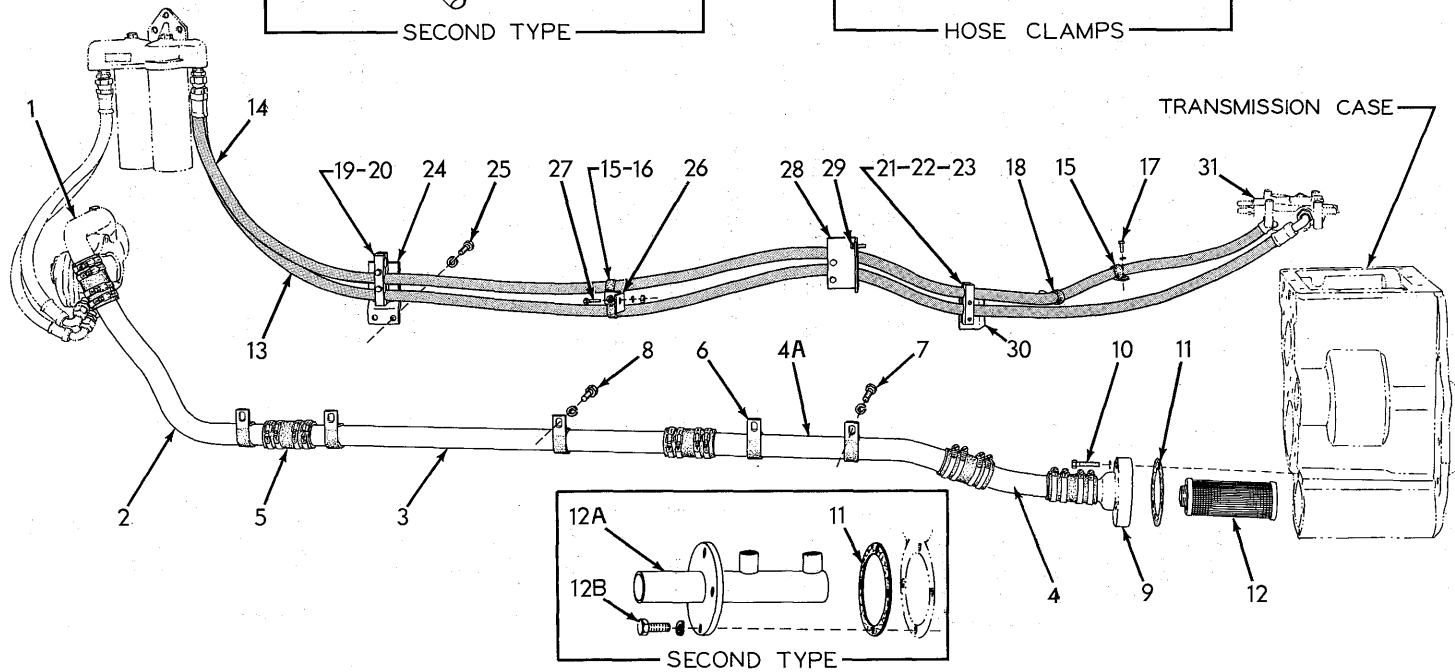
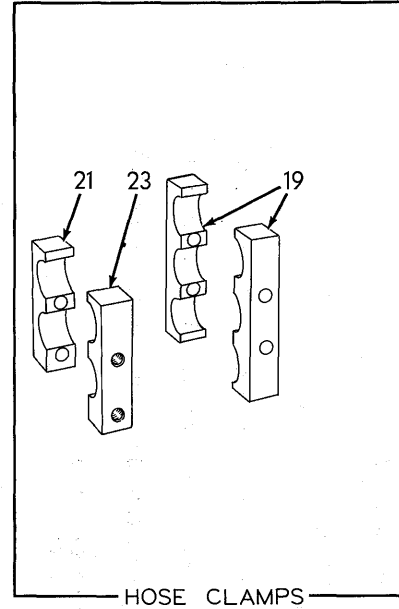
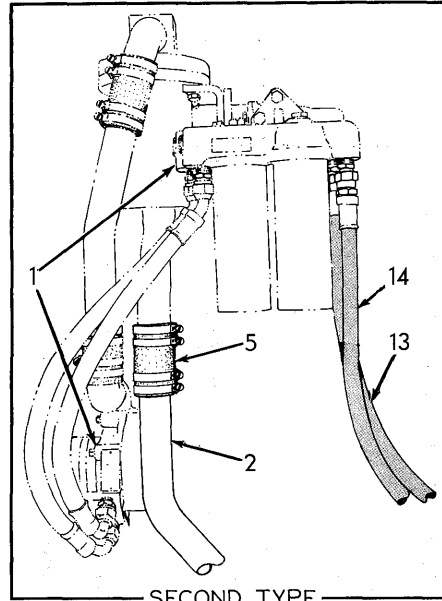
- Please note: If there is no response to CLICKING the link, please download this PDF first and then click on it.

CLICK HERE TO **DOWNLOAD** THE COMPLETE MANUAL



STEERING CLUTCH AND FINAL DRIVE HOUSING

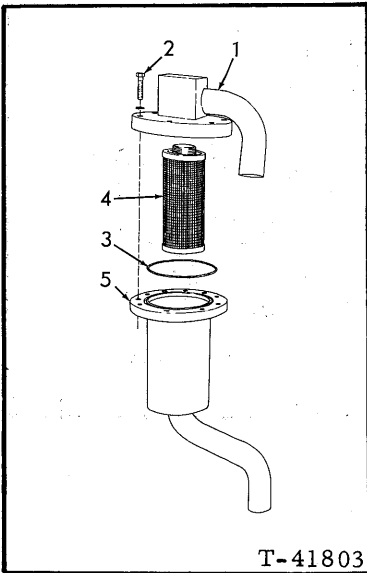
T-38154



HYDRAULIC STEERING CONTROL

FILTER ASSEMBLY 641722

USAGE: Tractors prior to serial No. 13714. See page 135

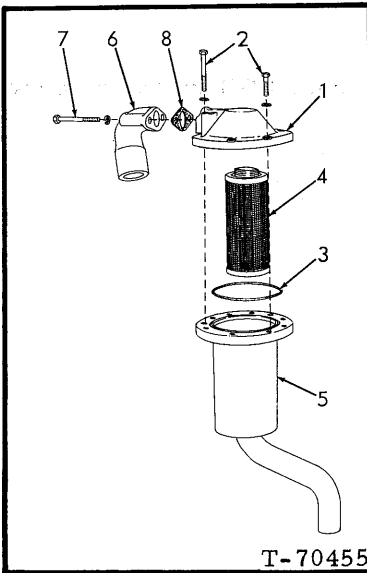


T-41803

ITEM	PART NO.	QTY.	DESCRIPTION
1	641700	1	COVER
2	035336	6	CAPSCREW, 3/8"NF x 1-3/4"
	904206	6	LOCKWASHER, 3/8"
3	923824	1	O-RING
4	623268	1	SCREEN
5	641758	1	HOUSING

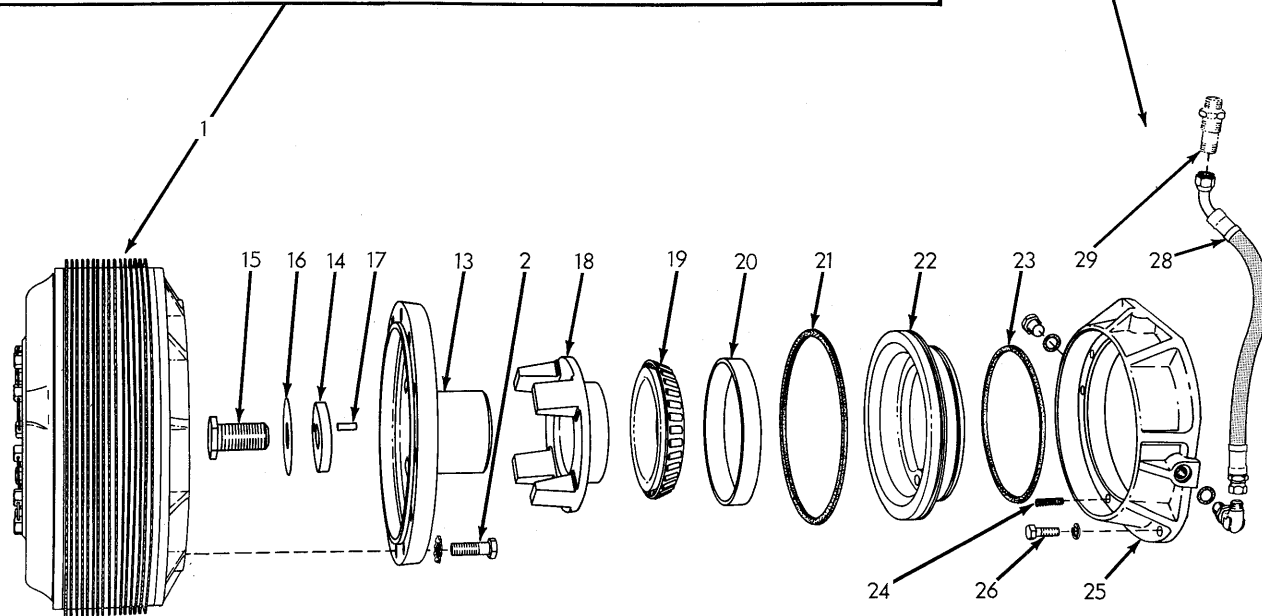
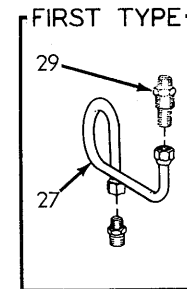
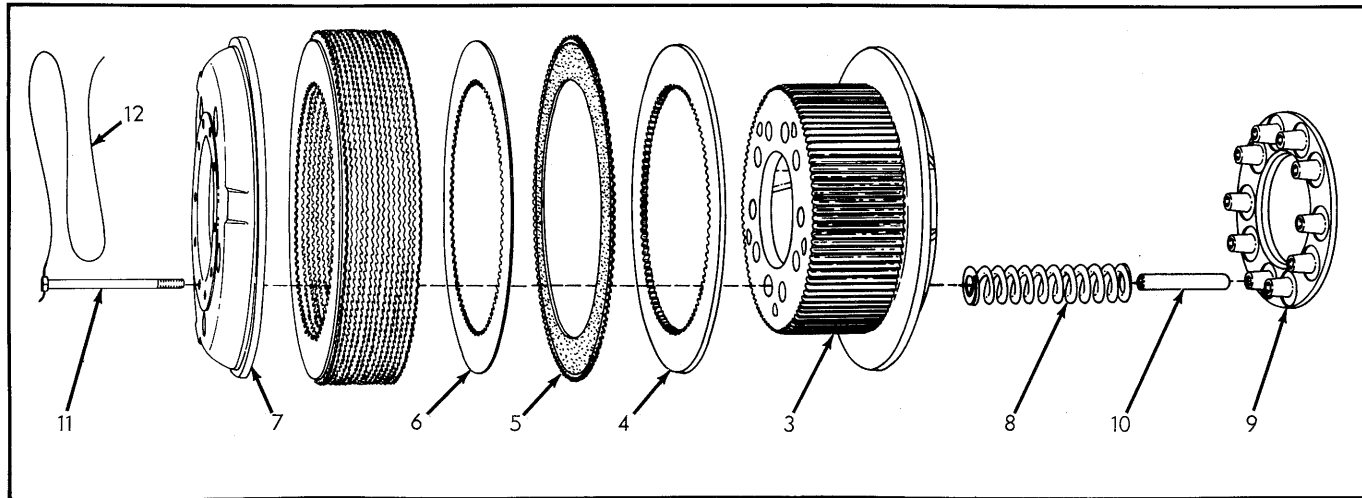
FILTER ASSEMBLY 643606

USAGE: Tractor serial No. 13714 and up. See page 135

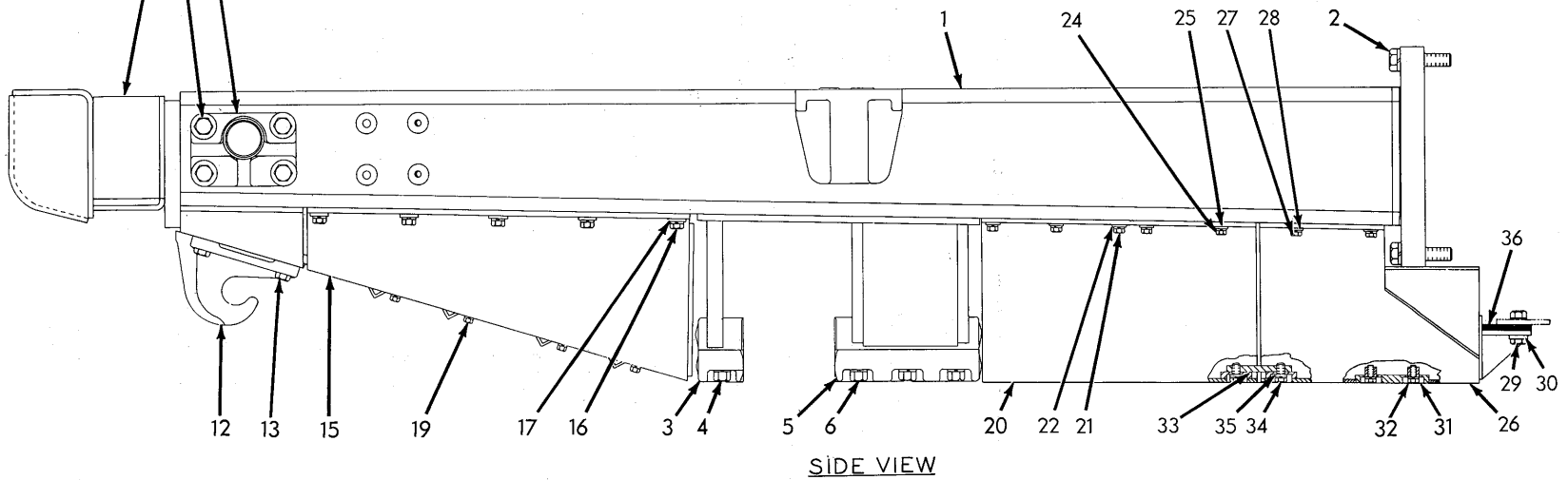
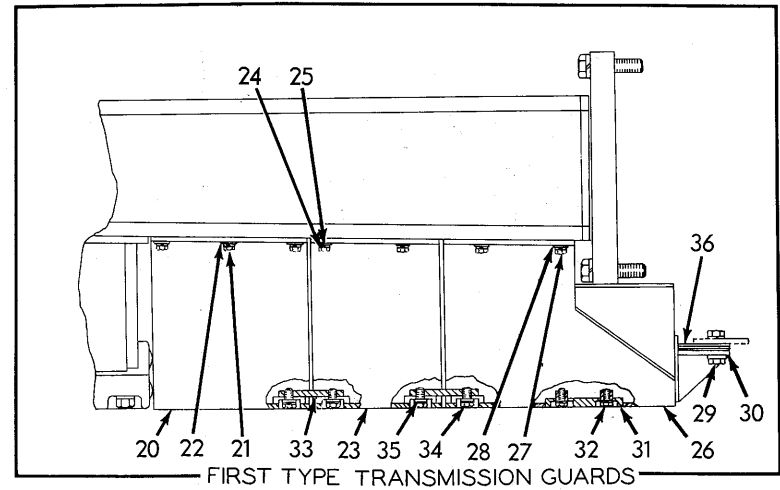
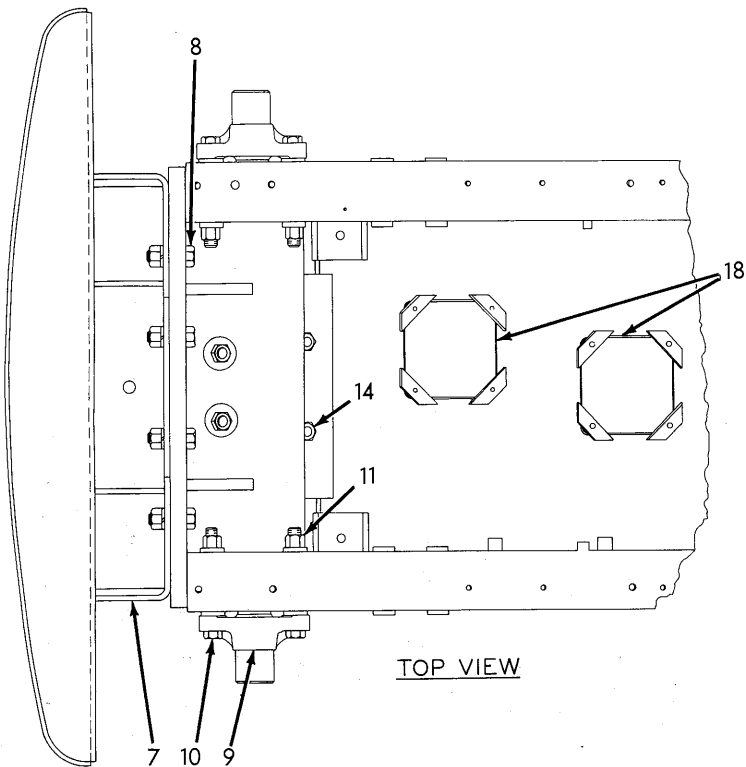


T-70455

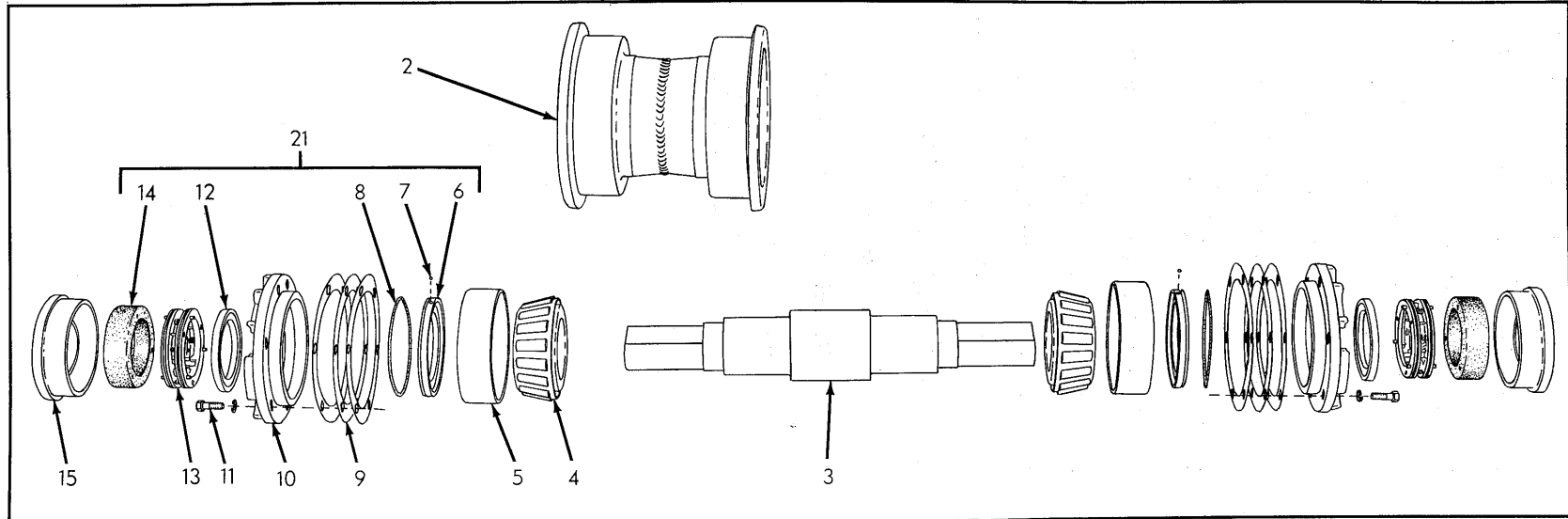
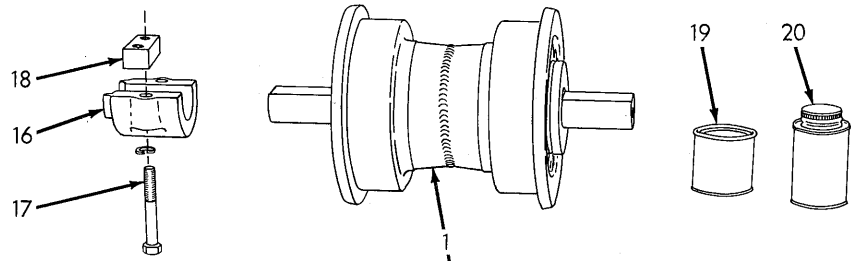
ITEM	PART NO.	QTY.	DESCRIPTION
1	644827	1	COVER
2	012992	4	CAPSCREW, 3/8"NF x 1-1/4"
	914339	2	CAPSCREW, 3/8"NF x 2-3/4"
	904206	6	LOCKWASHER, 3/8"
3	923824	1	O-RING
4	623268	1	SCREEN
5	641758	1	HOUSING
6	644828	1	ELBOW, outlet
7	058936	2	CAPSCREW, 3/8"NC x 2-3/4"
	904206	2	LOCKWASHER, 3/8"
8	644816	1	GASKET, outlet elbow

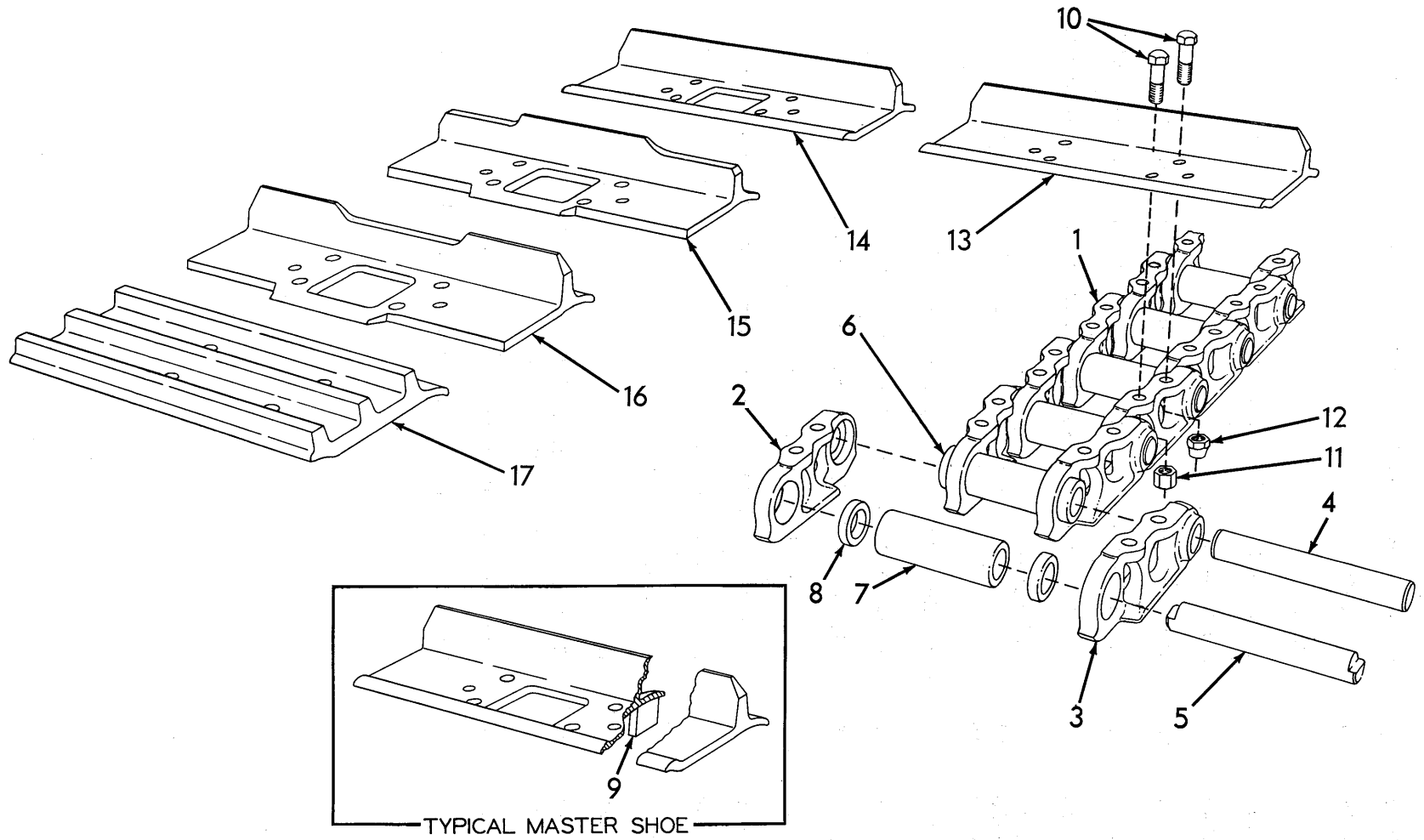


STEERING CLUTCHES



MAIN FRAME





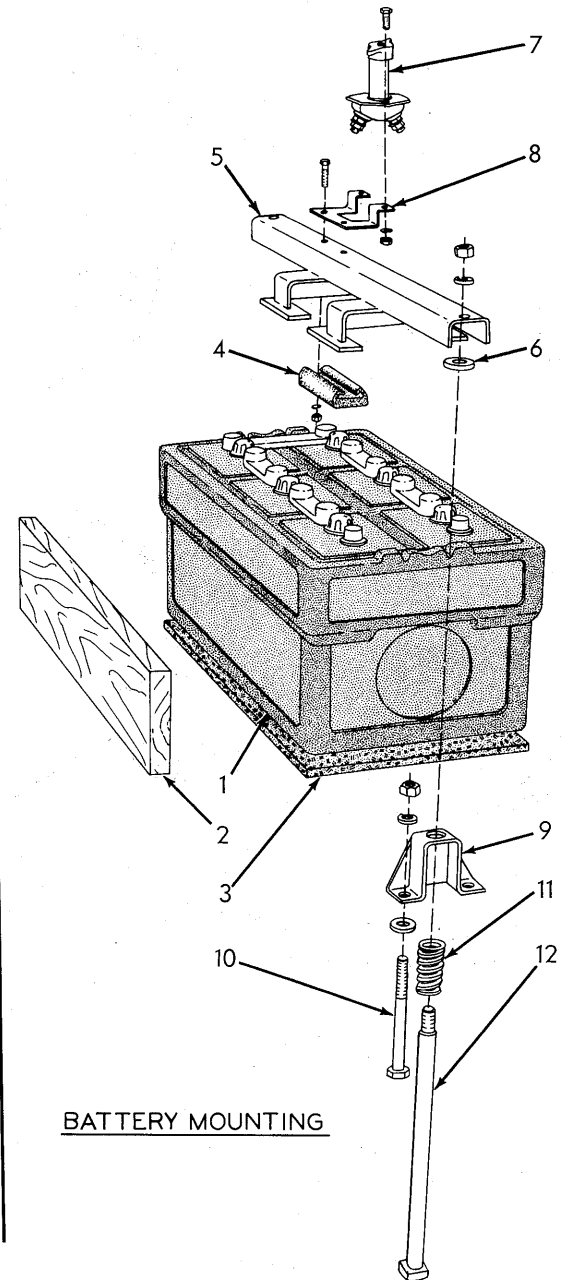
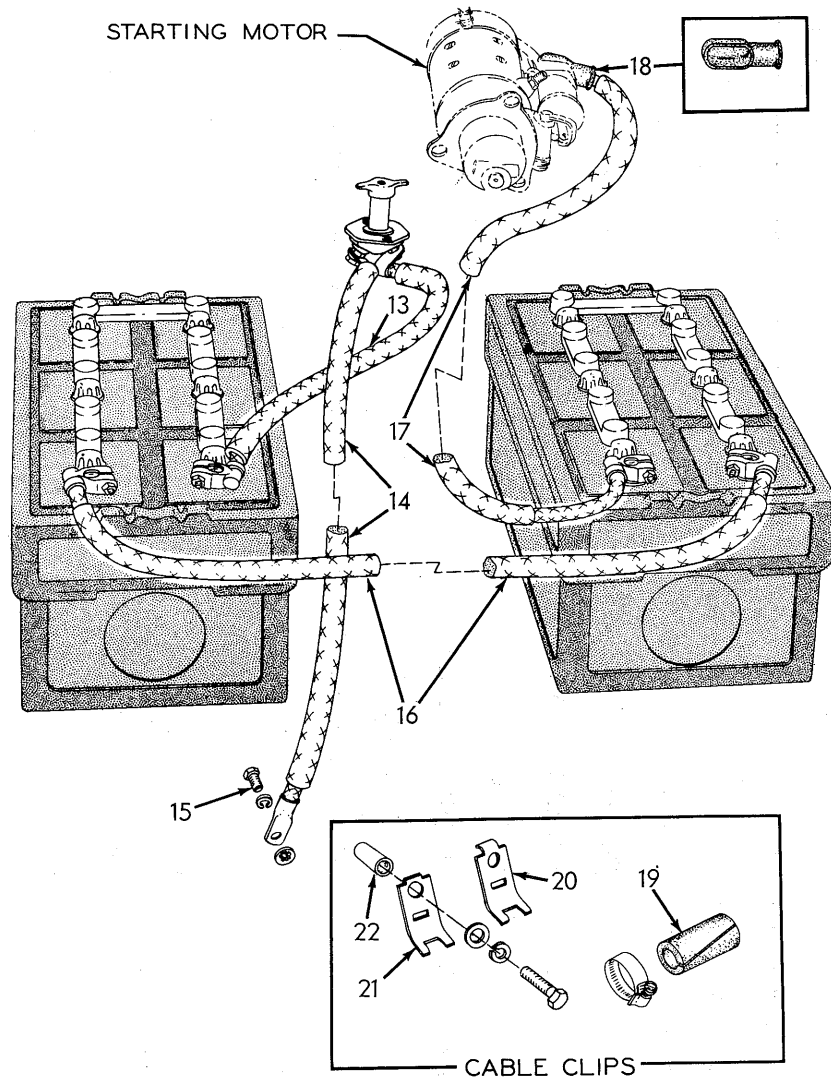
TRACK

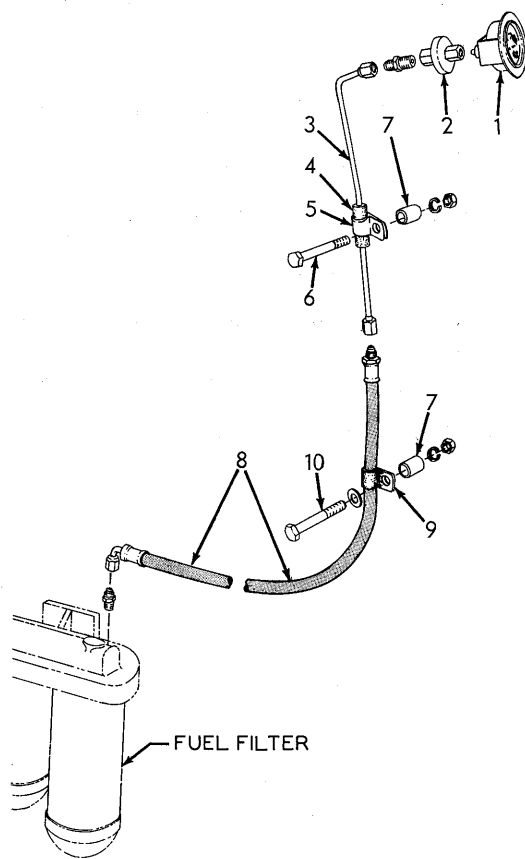
RADIATOR GUARD (Continued)

ITEM	PART NO.	QTY.		DESCRIPTION
		*	**	
25	084323	1	1	BAFFLE, air, left side
26	040382	3	3	CAPSCREW, 3/8"NC x 1-3/8"
	904206	3	3	LOCKWASHER, 3/8"
	044973	3	3	WASHER, plain
28	093220	1	1	BAFFLE, air, upper
29	012992	4	4	CAPSCREW, 3/8"NF x 1-1/4"
	904206	4	4	LOCKWASHER, 3/8"
	044973	4	4	WASHER, plain
31	093262	1	1	PLATE, front closure, upper
32	036707	10	10	CAPSCREW, 5/8"NC x 1-3/4"
	904209	10	10	LOCKWASHER, 5/8"
	064810	10	10	WASHER, plain
34	093263	1	-	PLATE, front closure, lower (See FRONT PUSHER for special plate)
	620483	-	1	PLATE, front closure, lower
35	036707	8	6	CAPSCREW, 5/8"NC x 1-3/4"
	904209	8	6	LOCKWASHER, 5/8"
	064810	8	6	WASHER, plain
37	084758	3	1	SHEAVE, control cable
38	044875	3	1	BEARING, roller, cable sheave
39	084757	1	1	SHAFT, front sheave
	914465	1	1	FITTING, lubricating, straight, 1/8"NPT
40	035188	1	1	SETSCREW, shaft retaining
	911035	1	1	NUT, jam, 1/2"NC
41	084384	2	-	SHAFT, side sheaves
	917936	2	-	PIN, roll, 3/8" x 3-1/2"
	914465	2	-	FITTING, lubricating, straight, 1/8"NPT
	093043	-	2	CUP, hole closure
	917936	-	2	PIN, roll, 3/8" x 3-1/2"
42	084694	1	-	GUIDE, cable
	085058	-	1	GUIDE, false (Serves as sheave compartment dirt closure)
43	035306	2	2	CAPSCREW, 5/8"NF x 3-1/4"
	904209	2	2	LOCKWASHER, 5/8"
	911044	2	-	NUT, 5/8"NF
	094455	-	1	BLOCK, tapped
44	623507	2	2	MONOGRAM, "HD21"
	918370	8	8	RIVET, drive, 3/16" x 9/32"
45	620751	-	1	PLATE, closure (For use only when control unit is removed)
46	036707	-	4	CAPSCREW, 5/8"NC x 1-3/4"
47	086961	-	4	WASHER, plain
	904209	-	4	LOCKWASHER, 5/8"
	911029	-	4	NUT, 5/8"NC

SEAT ASSEMBLY 632053 (Continued)

ITEM	PART NO.	QTY.	DESCRIPTION
19	638433	1	SPRING, cushion height adjuster
	914197	2	SCREW, thd-cutting, rd-hd., #6 x 3/8"
20	638423	4	LINK, suspension, seat frame
21	638434	8	PIN, seat frame suspension lever
22	638351	16	RING, locking, suspension lever pin
23	638424	1	SPRING, retracting, seat frame
24	638371	1	FRAME ASSEMBLY, base (Includes items 25 and 26)
25	639975	1	ROD, seat release
	910335	1	WASHER, plain, SAE std., 5/16"
	900801	2	PIN, cotter, 3/32" x 3/4"
26	638429	1	SPRING, seat release rod

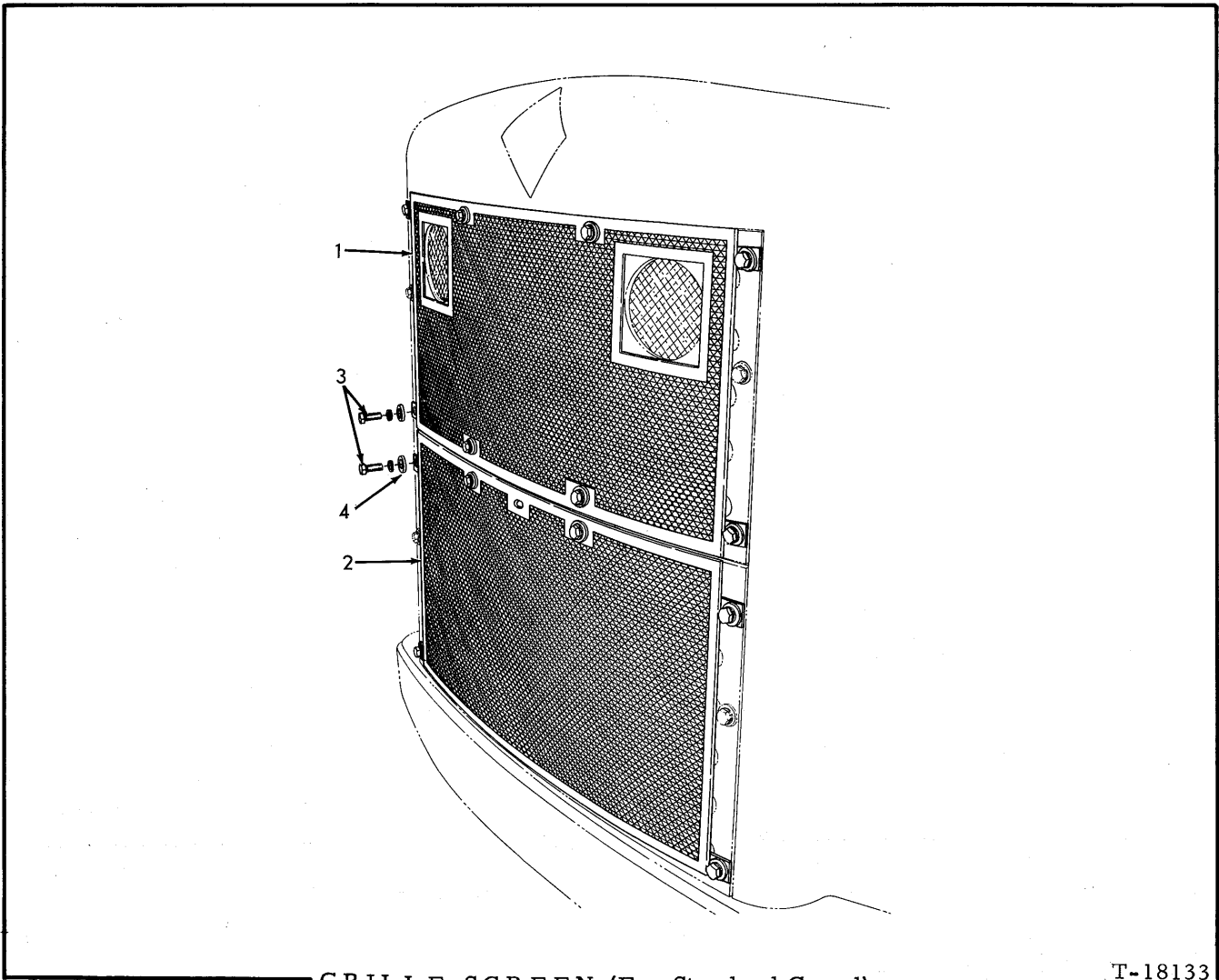




FUEL PRESSURE GAUGE

T-39354

ITEM	PART NO.	QTY.	DESCRIPTION
1	091589	1	GAUGE (Includes mounting clamp)
2	069674	1	RESTRICTOR
3	630705	1	TUBE ASSEMBLY (Includes nuts)
	919140	1	CONNECTOR, flare type, 1/4" tube, 1/4"NPT male
4	093972	1	BOOT, tube protecting (rubber)
5	047381	1	CLIP, tube supporting
6	046419	1	CAPSCREW, 3/8"NF x 2"
	904206	1	LOCKWASHER, 3/8"
	911041	1	NUT, 3/8"NF
7	096228	2	SPACER, tube and hose clips
8	630707	1	HOSE ASSEMBLY (See page 6 for parts)
	919171	1	CONNECTOR, flare type, 1/4" tube, 1/8"NPT male
9	094527	1	CLIP, hose supporting (1/2" diam.)(Used prior to tractor #13738)
	644006	1	CLIP, hose supporting (9/16" diam.)(Effective with tractor #13738)
10	046419	1	CAPSCREW, 3/8"NF x 2"
	911115	1	WASHER, plain, SAE std., 3/8"
	904206	1	LOCKWASHER, 3/8"
	911041	1	NUT, 3/8"NF

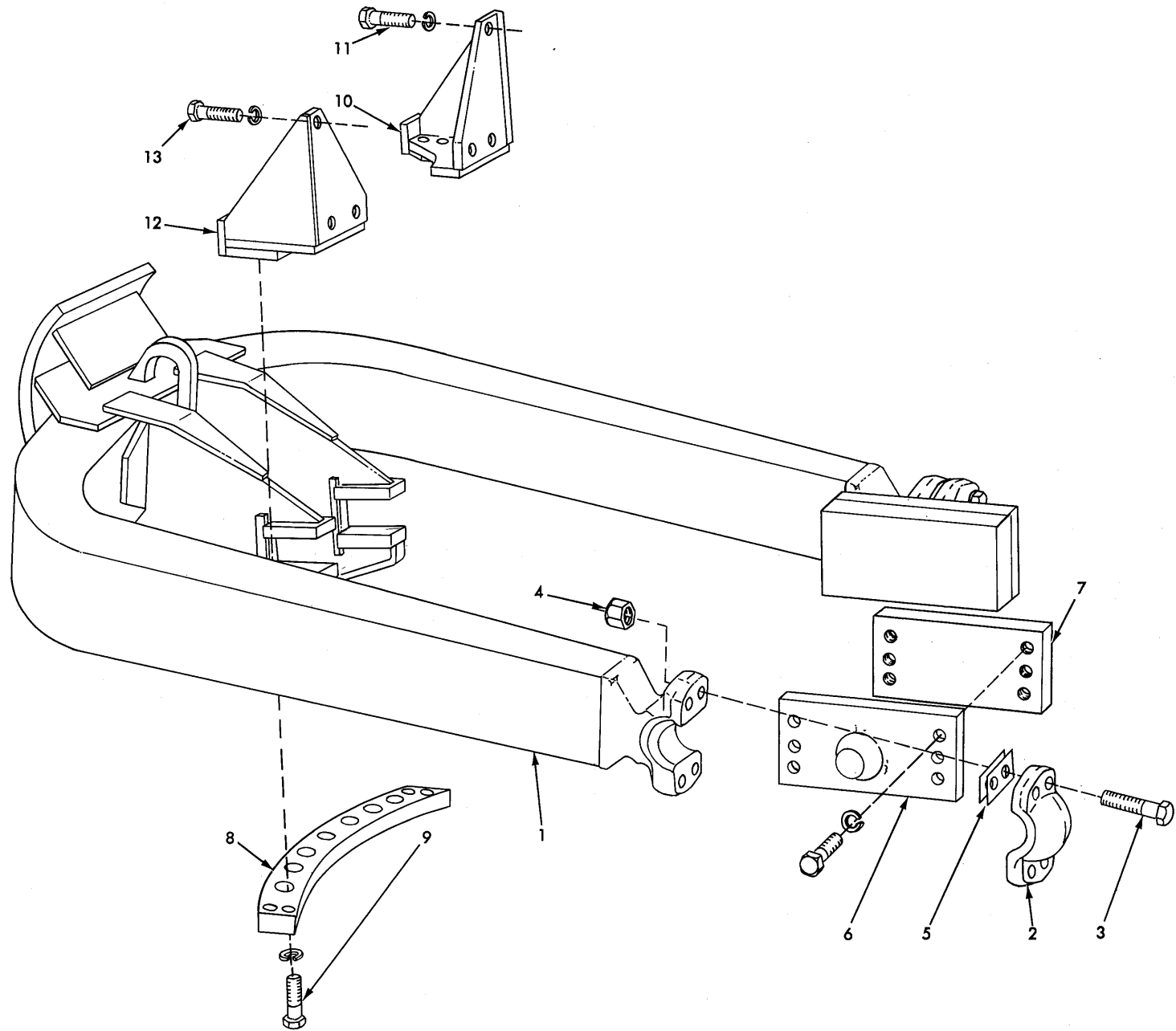


GRILLE SCREEN (For Standard Guard)

T-18133

USAGE: Special Equipment. Applicable to tractors equipped with Standard Wrap-around Radiator Guard. See pages 229 and 230 for other units.

ITEM	PART NO.	QTY.	DESCRIPTION
1	093915	1	SCREEN, upper section
2	087924	1	SCREEN, lower section
3	071113	14	CAPSCREW, screen attaching (5/8"NC x 2")
	904209	14	LOCKWASHER, 5/8"
4	064810	14	WASHER, plain



REAR PUSHER (For tractors equipped with dozer)

T-39359

CLICK HERE TO **DOWNLOAD** THE COMPLETE MANUAL

- Thank you very much for reading the preview of the manual.
- You can download the complete manual from: www.heydownloads.com by clicking the link below



- Please note: If there is no response to CLICKING the link, please download this PDF first and then click on it.

CLICK HERE TO **DOWNLOAD** THE COMPLETE MANUAL