

2016 Softail Models Parts Catalog

Alphabetical List

Parts

Hardware List

New Parts List

Numerical Index

Component Types and Introduction Dates

Common Service Parts

AIR CLEANER - FXSB, FLSTC, FLSTF, FLSTN, FLSTFB, FLS

AIR CLEANER - TWIN CAM 110™ - FLSS

AIR CLEANER - TWIN CAM 110™ - FLSTFBS

ALTERNATOR AND REGULATOR

AUXILIARY/FOG LAMPS AND TURN SIGNALS, FRONT - FLSTC, FLSTN (1 OF 2)

AUXILIARY/FOG LAMPS AND TURN SIGNALS, FRONT - FLSTC, FLSTN (2 OF 2)

BATTERY

BELT, CHAINS AND SPROCKETS

BRAKE CALIPER, FRONT

BRAKE CALIPER, REAR

BRAKE CONTROL, FRONT

BRAKE CONTROL, REAR

BRAKE LINE AND MODULE, REAR, ABS

BRAKE LINES, FRONT, ABS

BRAKE LINES, FRONT, NON-ABS - FLS

CAMSHAFTS AND CAMSHAFT COVER - TWIN CAM 103™

CAMSHAFTS and CAMSHAFT COVER - TWIN CAM 110™

CLUTCH - ASSIST AND SLIP - TWIN CAM 110™

CLUTCH - TWIN CAM 103™

CLUTCH CONTROL - FLS, FLSTC, FLSTF, FLSTFB, FLSTN AND FXSB

CLUTCH CONTROL - FLSS AND FLSTFBS

CRANKCASE AND ENGINE OIL FILTER - TWIN CAM 103™

CRANKCASE AND ENGINE OIL FILTER - TWIN CAM 110™

CYLINDERS, HEADS AND VALVES - TWIN CAM 110™

CYLINDERS, HEADS, VALVES - TWIN CAM 103™

ELECTRONIC CONTROL MODULE (ECM) AND COIL

ENGINE ASSEMBLY - TWIN CAM 103™

ENGINE ASSEMBLY - TWIN CAM 110™

ENGINE BALANCER

ENGINE MOUNTS

EVAPORATIVE EMISSIONS COMPONENTS

EXHAUST SYSTEM - FLS, FLSS, FLSTF, FLSTFB, FLSTFBS AND FLSTN (1 OF 2)

EXHAUST SYSTEM - FLS, FLSS, FLSTF, FLSTFB, FLSTFBS AND FLSTN (2 OF 2)

EXHAUST SYSTEM - FLSTC

EXHAUST SYSTEM - FXSB

FENDER, FRONT

FENDERS AND SUPPORTS, REAR - FLSTN

FENDERS AND SUPPORTS, REAR - FLS AND FLSS

FENDERS AND SUPPORTS, REAR - FLSTC

FENDERS AND SUPPORTS, REAR - FLSTF, FLSTFB AND FLSTFBS

FENDERS AND SUPPORTS, REAR - FXSB

FOOTRESTS AND FOOTBOARDS

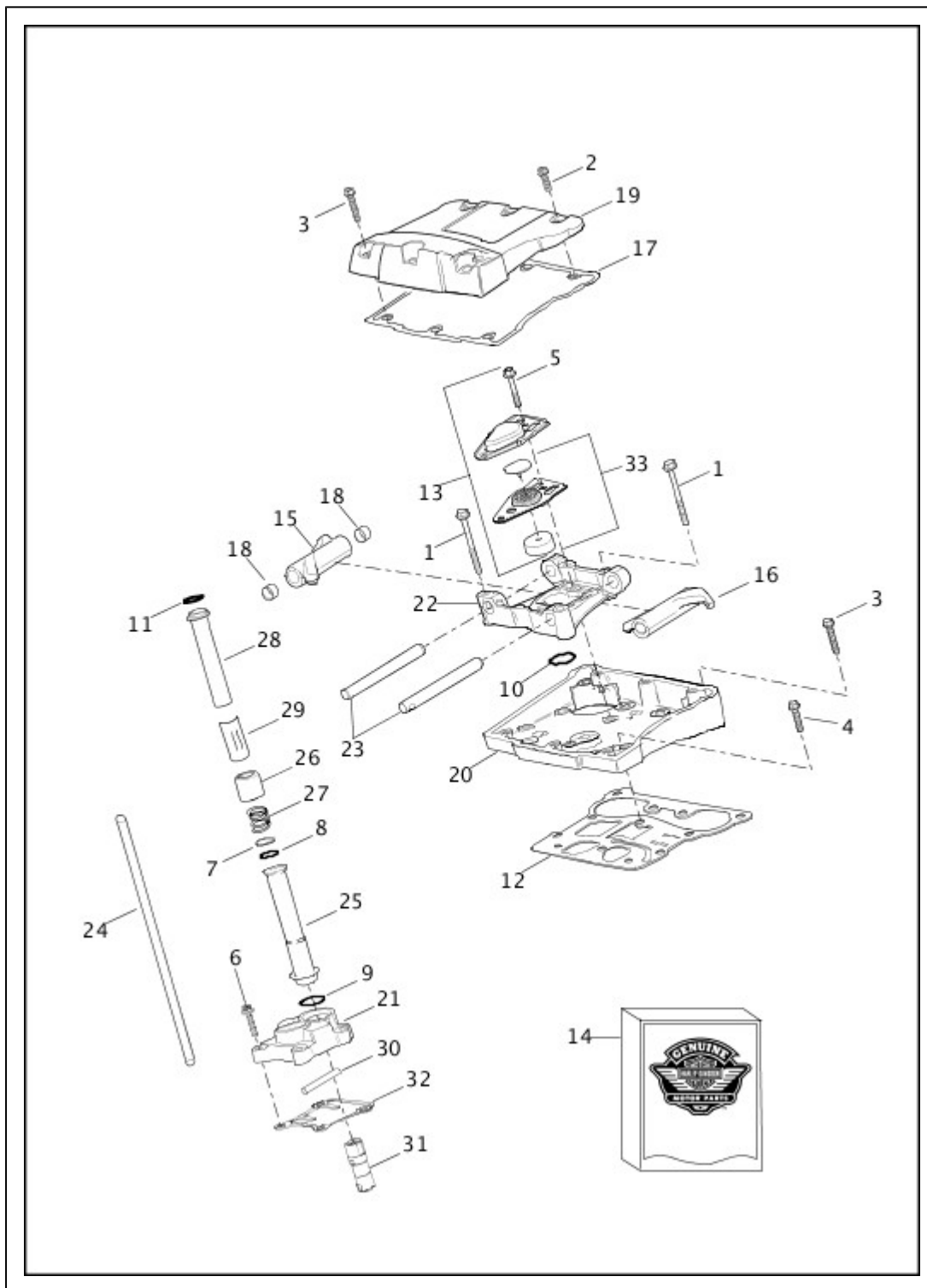
CLICK HERE TO **DOWNLOAD** THE COMPLETE MANUAL

- Thank you very much for reading the preview of the manual.
- You can download the complete manual from: www.heydownloads.com by clicking the link below

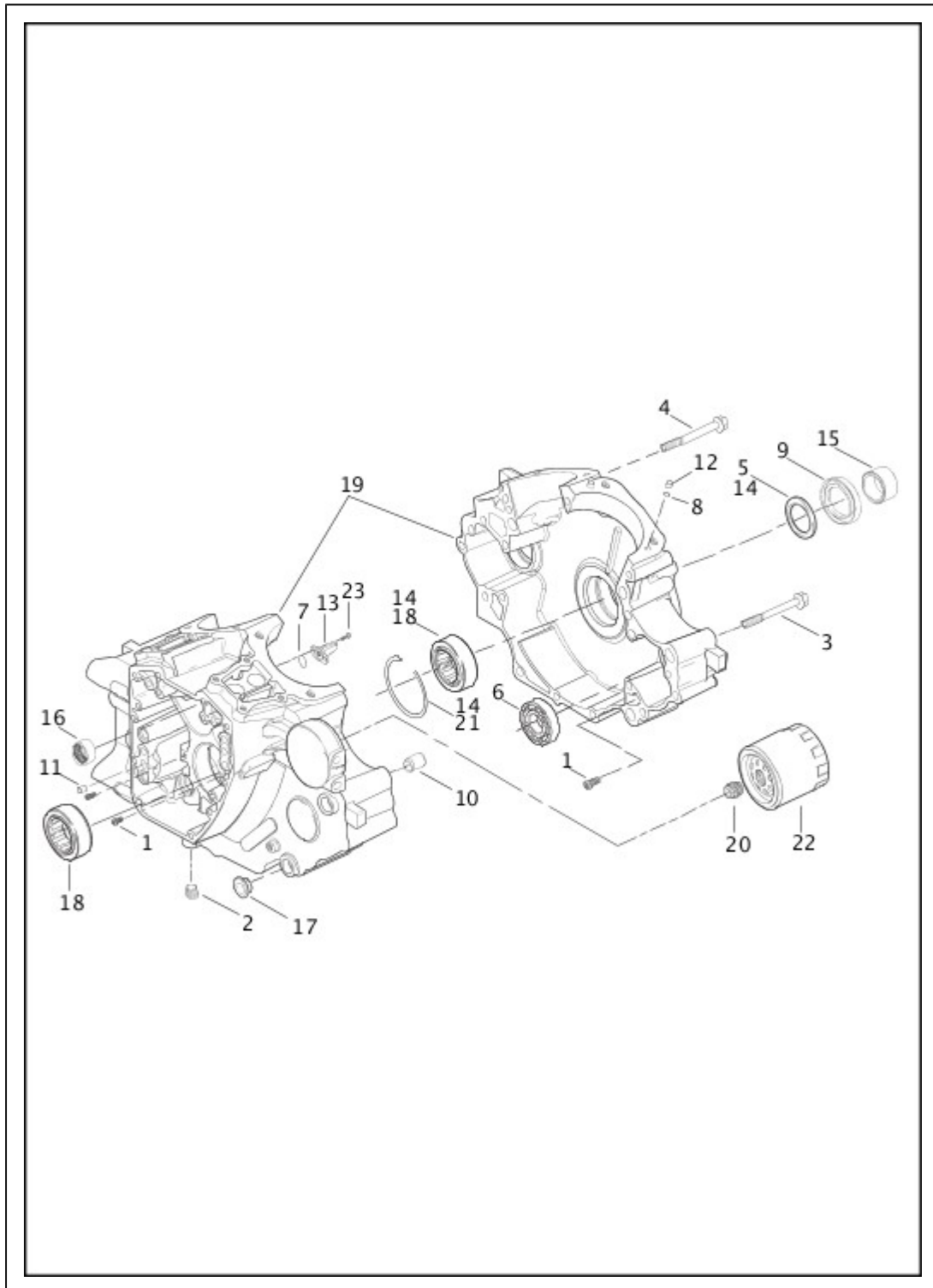


- Please note: If there is no response to CLICKING the link, please download this PDF first and then click on it.

CLICK HERE TO **DOWNLOAD** THE COMPLETE MANUAL



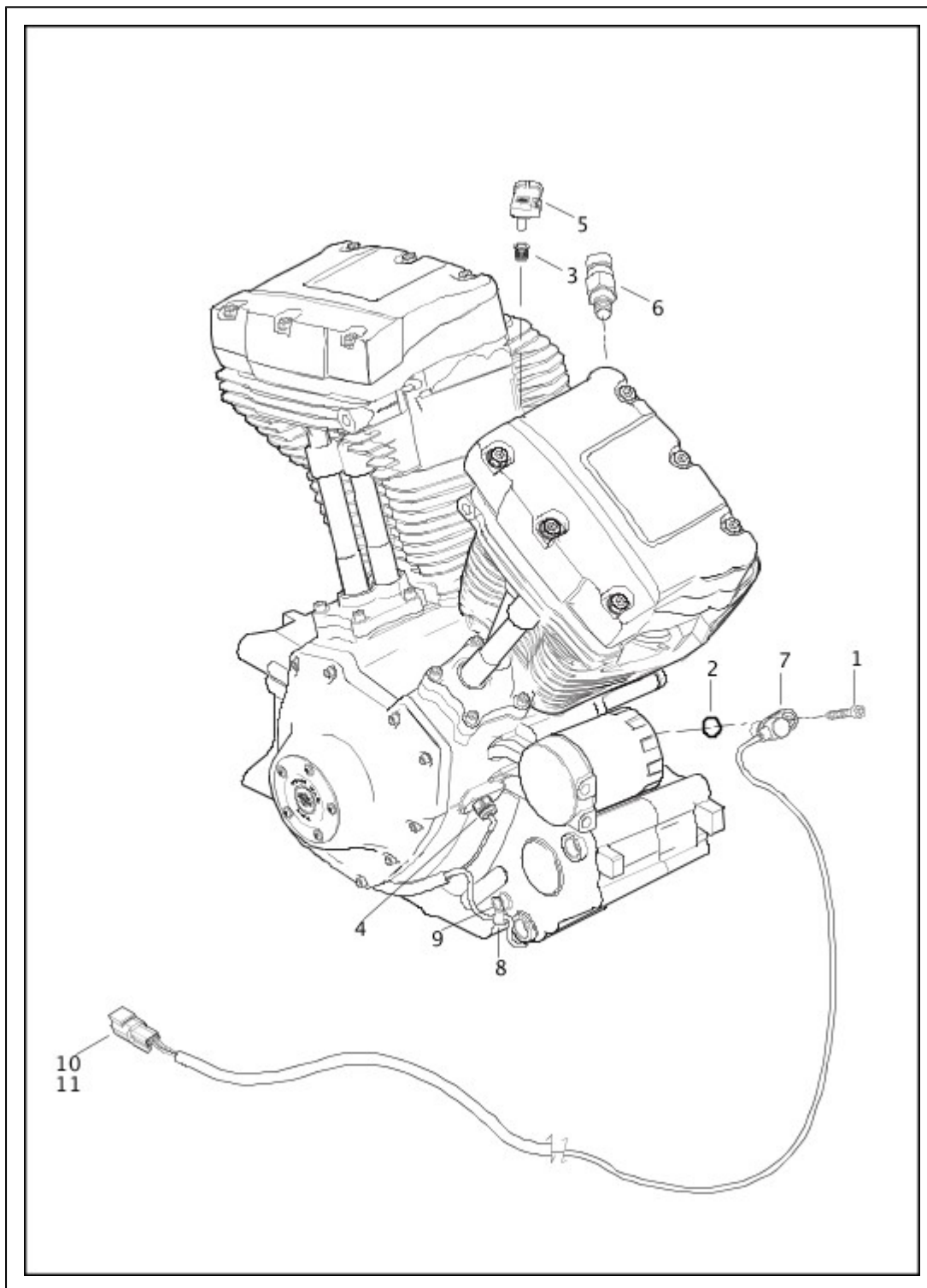
Index No.	Part No.	Description	Model(s)
1	1039	SCREW (8)	FXSB, FLSTC, FLSTF, FLSTN, FLSTFB, FLS
2	3692A	SCREW (6)	FXSB, FLSTC, FLSTF, FLSTN, FLSTFB, FLS
3	3693A	SCREW (10)	FXSB, FLSTC, FLSTF, FLSTN, FLSTFB, FLS
4	3736B	SCREW (8)	FXSB, FLSTC, FLSTF, FLSTN, FLSTFB, FLS

CRANKCASE AND ENGINE OIL FILTER - TWIN CAM 110™

Index No.	Part No.	Description	Model(s)
1	703B	SCREW (2)	FLSS, FLSTFBS
2	765	PLUG (4)	FLSS, FLSTFBS
3	895	SCREW (11)	FLSS, FLSTFBS

4	6516HW	WASHER	
5	6530	WASHER (4)	
6	7601	LOCKNUT (3)	
7	7879	NUT, flange (2)	
8	10177	CABLE STRAP (2)	
9	16236-08A	BRACKET ASSEMBLY, engine mount	FXSB
10	16247-06	BRACKET, engine mount	
11	24603-00	SPACER (4)	
12	48054-00	BOLT	
13	48093-00	BOLT	
14	48094-00	SPACER, engine mount (3)	
15	69046-06A	BRACKET ASSEMBLY, engine mount	FLSTC, FLSTF, FLSTN, FLSTFB, FLS, FLSS, FLSTFBS
16	16400017	BRACKET ASSEMBLY, engine mount, without horn (India only)	FLSTC, FLSTF, FLSTFB, FXSB

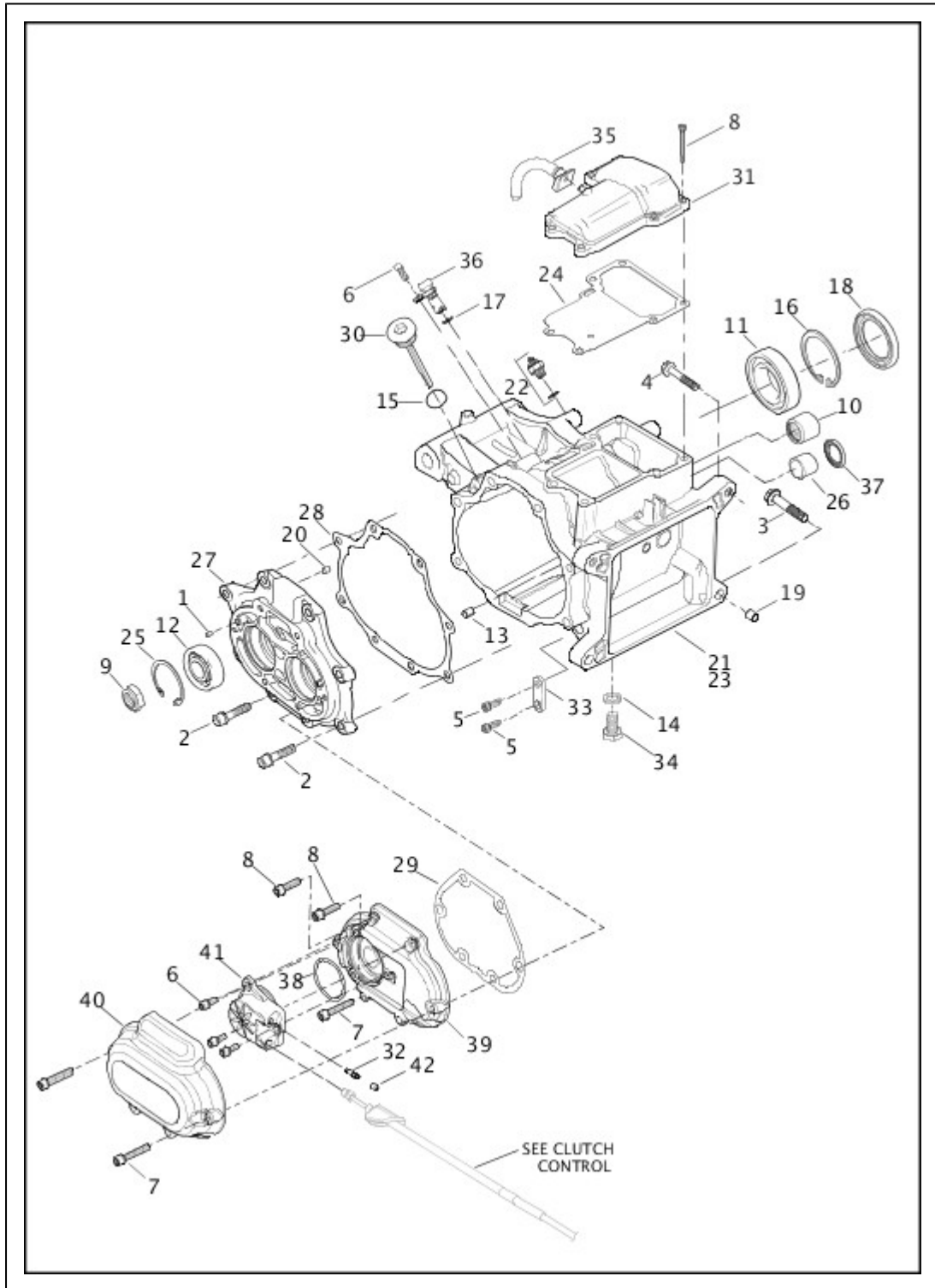
INDUCTION MODULE, FUEL



Index No.	Part No.	Description	Model(s)
1	4741A	SCREW	FXSB, FLSTC, FLSTF, FLSTN, FLSTFB, FLS
2	11289A	O-RING	FXSB, FLSTC, FLSTF, FLSTN, FLSTFB, FLS
3	11291	SEAL, manifold air pressure sensor	FXSB, FLSTC, FLSTF, FLSTN, FLSTFB, FLS
4	26561-99	OIL PRESSURE SWITCH	FXSB, FLSTC, FLSTF, FLSTN, FLSTFB, FLS

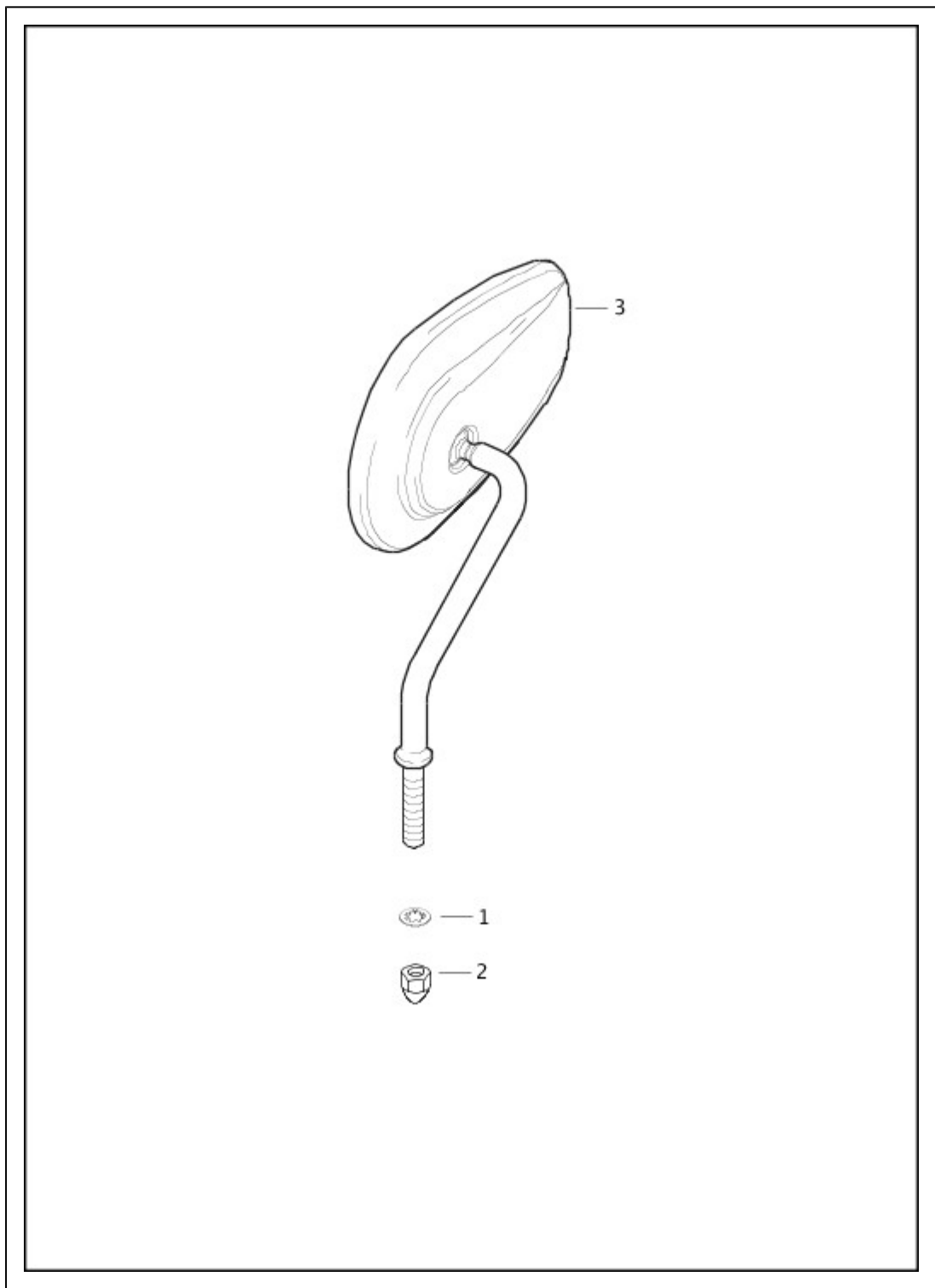
	05B		FLSTFB, FLS
43	11000101	OIL SEAL	FXSB, FLSTC, FLSTF, FLSTN, FLSTFB, FLS

TRANSMISSION HOUSING - FLSS AND FLSTFBS



Index No.	Part No.	Description	Model(s)
1	221	PIN (2)	FLSS, FLSTFBS

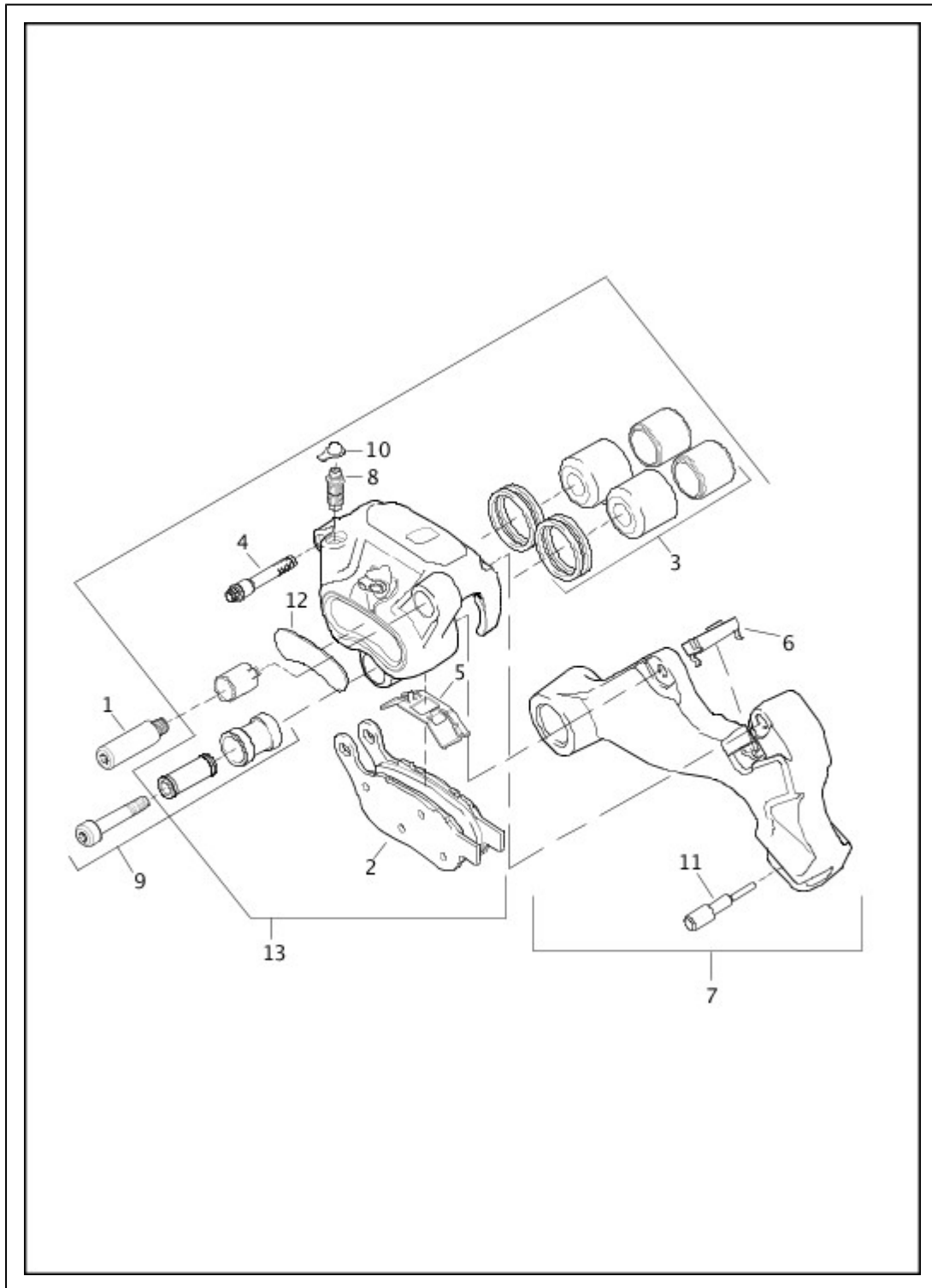
5	4813A	SCREW (9)	
6	9231	BEARING	
7	11105	O-RING	
8	12052A	OIL SEAL	
9	16583-00A	BUSHING, dowel (2)	
10	17369-06	GASKET SERVICE KIT, 1,000 mi (1600 km), 5000 mi (8000 km), 10,000 mi (16,000 km)	
11	24754-75A	DOWEL BUSHING (4)	
12	34934-06	GASKET, primary housing	FXSB, FLSTC, FLSTF, FLSTN, FLSTFB, FLS
	34948-08	GASKET, primary housing (black)	FLSS, FLSTFBS
13	39929-06B	CHAIN TENSIONER	
14	60328-98B	PLUG ASSEMBLY, magnetic drain, with 11105	
15	60547-06	GASKET, primary cover	
16	60678-85	RETAINING RING	
17	60782-06A	COVER, primary (chrome)	FLSTC, FLSTF, FLSTN, FXSB
	60563-08A	COVER, primary (polished)	FLS
	60876-11A	COVER, primary (gloss black)	FLSS, FLSTFBS
	60882-10A	COVER, primary (satin chrome)	FLSTFB
18	60776-08A	INNER PRIMARY HOUSING, (wide)(black)	FXSB
	60791-06C	INNER PRIMARY HOUSING, (black)	FLSTC, FLSTF, FLSTN, FLSTFB, FLS, FLSS, FLSTFBS
19	60813-07	SCREW, primary cover	
20	25700037	COVER, clutch (chrome)	FLSTC, FLSTF, FLSTN
	25700020	COVER, clutch (gloss black) (not illustrated)	FLSS, FLSTFBS
	25700038	COVER, clutch (polished) (not illustrated)	FLS
	25700043	COVER, clutch (black) (not illustrated)	FLSTFB
	25700234	COVER, clutch (gloss black) (not illustrated)	FXSB
21	25700226	GASKET KIT, inner primary, with 1, 7, 8, 10, 12, 11150, 27444-00Y and 37909-90	



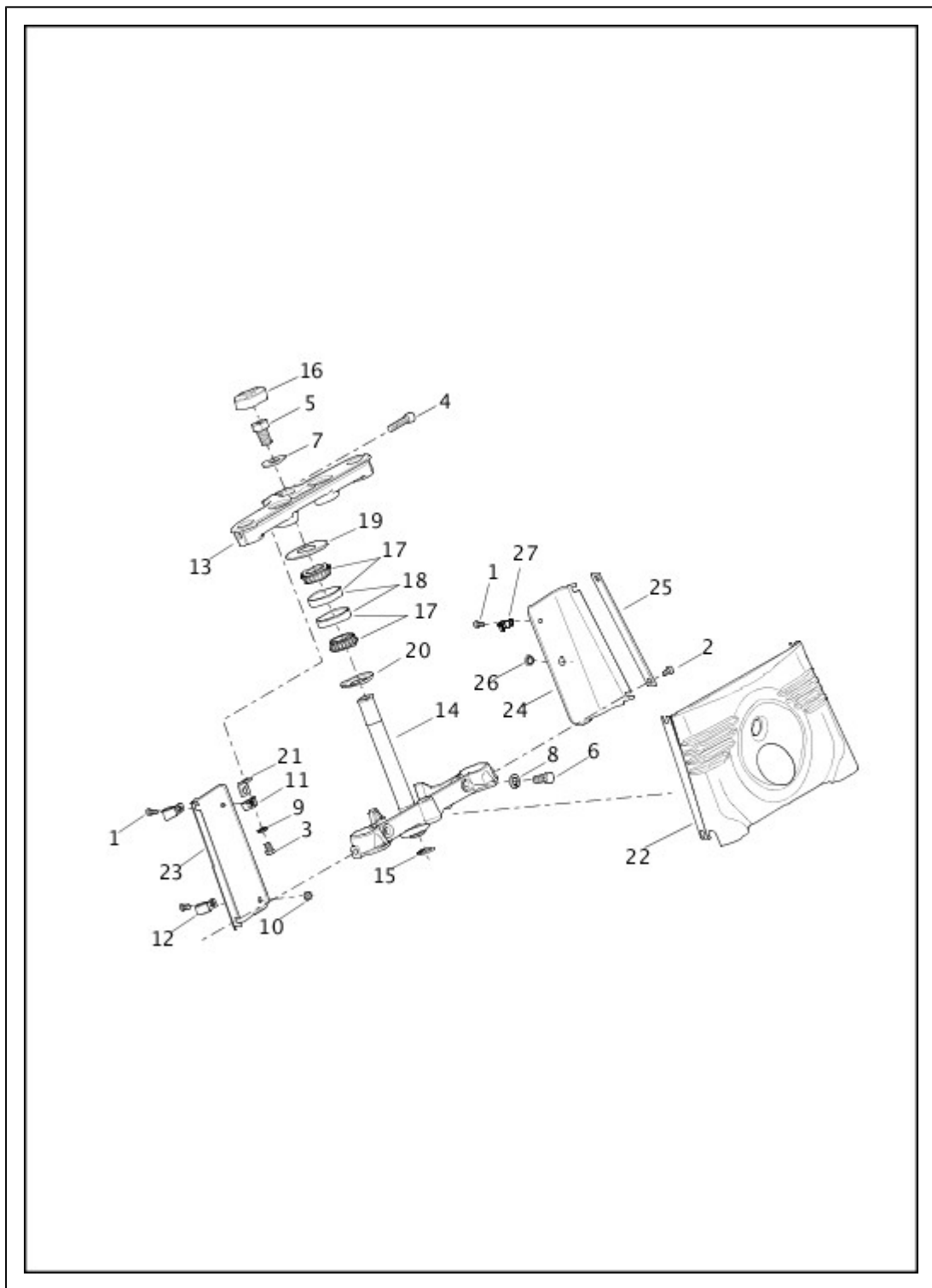
Index No.	Part No.	Description	Model(s)
1	7155	LOCKWASHER (2)	
2	7331	ACORN NUT (2)	FLSTC, FLSTF, FLSTN, FLS, FLSTFB, FXSB
	7352	ACORN NUT, (black) (2)	FLSS, FLSTFBS
3	91840-03B	MIRROR KIT, short, convex (right) (chrome)	FLSTC, FLSTF, FLSTN, FLS, FXSB
	91845-03B	MIRROR KIT, short, convex (left) (chrome)	FLSTC, FLSTF, FLSTN, FLS, FXSB

8	41300103	PISTON KIT, with 42820-04	
9	41300104	BOLT KIT, brake caliper	

BRAKE CALIPER, REAR



Index No.	Part No.	Description	Model(s)
1	42143-08B	BOLT, (lower)	
2	42298-08	PAD KIT	

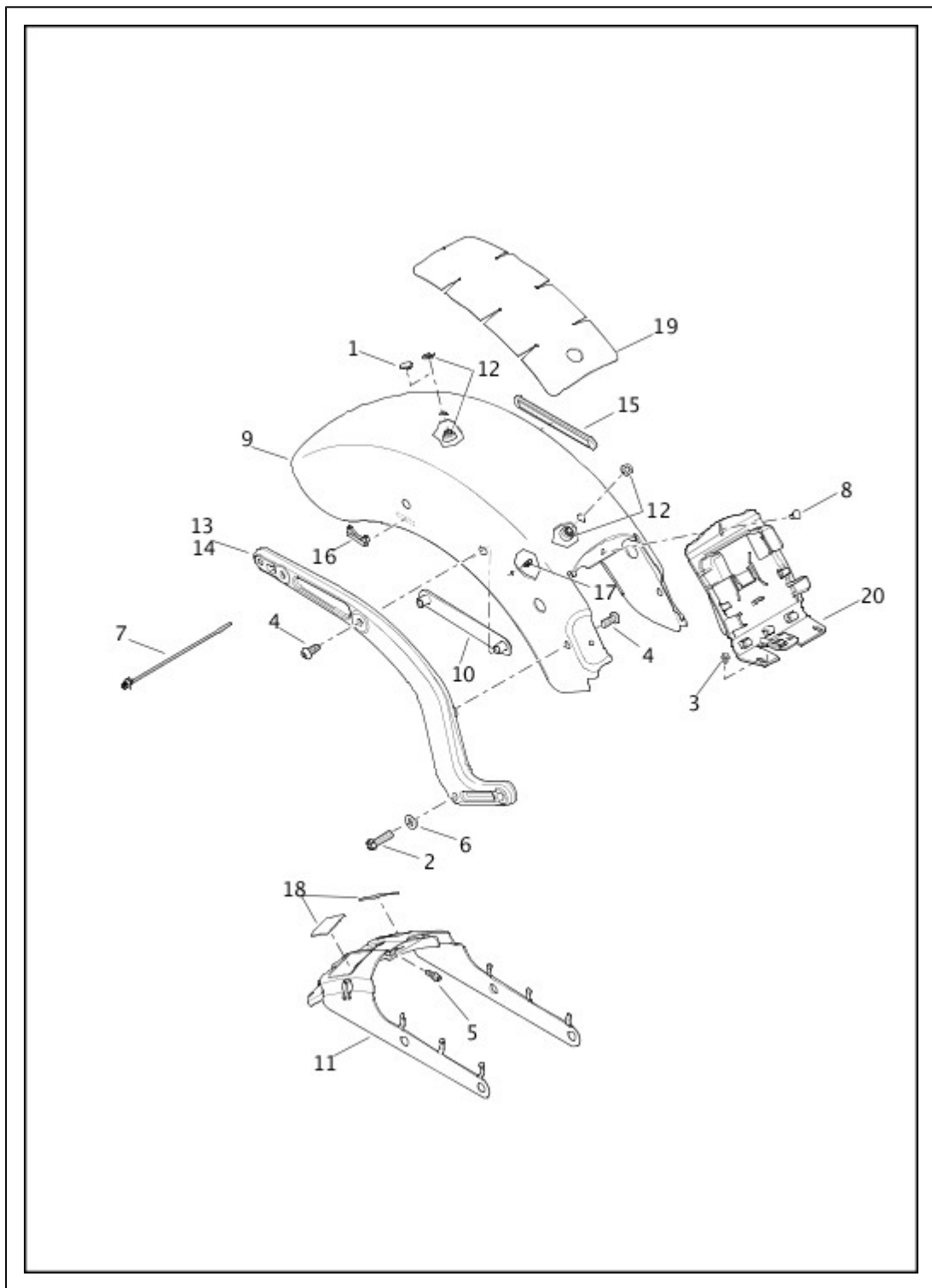


Index No.	Part No.	Description	Model(s)
1	941	SCREW (4)	FLSTC, FLSTF, FLSTN, FLSTFB, FLS, FLSS, FLSTFBS
2	3538	SCREW (4)	FLSTF, FLSTFB, FLS, FLSS, FLSTFBS
3	3953W	BOLT (2)	FLSTC, FLSTF, FLSTN, FLSTFB, FLS, FLSS, FLSTFBS
4	4350A	SCREW	FLSTC, FLSTF, FLSTN, FLSTFB, FLS, FLSS, FLSTFBS
5	4453	BOLT	FLSTC, FLSTF, FLSTN, FLSTFB, FLS,

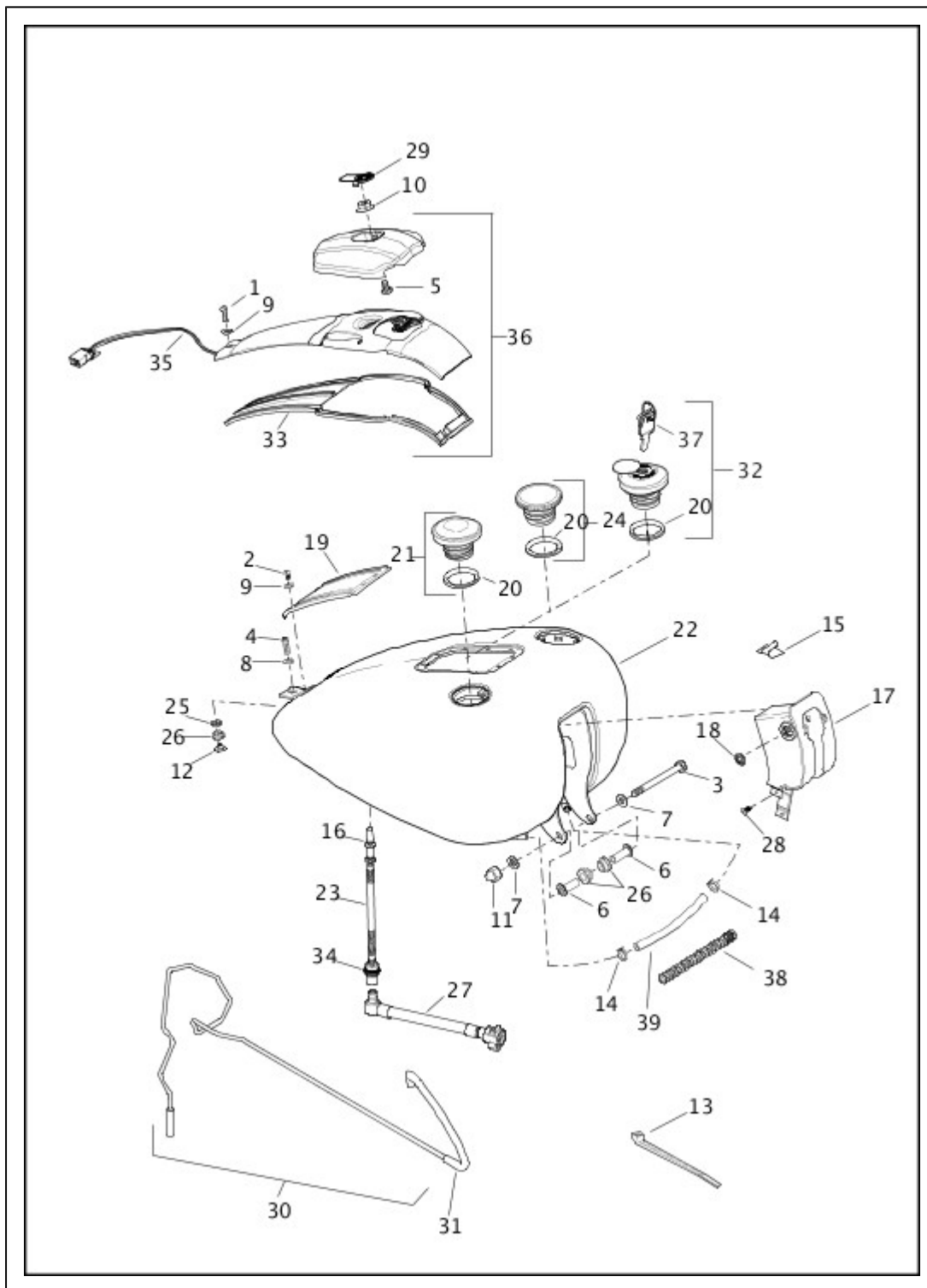
8	46512-01A	DUST SEAL	FXSB
9	46513-01	RING STOPPER	FXSB
10	46514-01A	OIL SEAL	FXSB
11	46515-01	SPACER SEAL	FXSB
12	46516-01	BUSHING GUIDE	FXSB
13	46517-01	SPRING, rebound (2)	FXSB
14	46609-06	OIL SEAL, fork tube plug (2)	FXSB
15	46611-06	COVER, case (2)	FXSB
16	46612-06	BOLT (2)	FXSB
17	46614-06	BOLT	FXSB
18	46615-06	CU PACKING	FXSB
19	49379-09	FORK REBUILD KIT (2)	FXSB
20	60253-07	BRACKET ASSEMBLY, reflector (2)	FXSB
21	60254-07	REFLECTOR, amber (2)	FXSB
22	45500150	FORK SPRING (2)	FXSB
23	45500151	FORK PIPE (2)	FXSB
24	45500152	SEAT PIPE, with 11689 (2)	FXSB
25	45500159	SLIDER ASSEMBLY, left side (black)	FXSB
	45500161	SLIDER ASSEMBLY, right side (black) (not shown)	FXSB
26	45800026	FORK SLIDER AND TUBE ASSEMBLY, (right)	FXSB
27	45800027	FORK SLIDER AND TUBE ASSEMBLY, (left)	FXSB

FRAME AND JIFFY STAND

5	10866	CLIP, master cylinder retention	
6	11304	RETAINING RING (2)	FLSTC, FLSTF, FLSTN, FLSTFB, FXSB, FLSTFBS
7	33048-72	FOOTREST, with 33189-63 (2)	FLSTC, FLSTF, FLSTN, FLSTFB, FXSB, FLSTFBS
	33189-63	FOOTREST COVER, (black) (2)	FLSTC, FLSTF, FLSTN, FLSTFB, FXSB, FLSTFBS
8	33630-07A	BRACKET, jiffy stand, shift lever, footboard and 33708-94	FLSTC, FLSTF, FLSTN, FLSTFB, FLS, FLSS, FLSTFBS
9	33683-07A	BRACKET, jiffy stand, shift lever, footboard and 33708-94 (black)	FXSB
10	33708-94	BEARING SLEEVE (2)	
11	42431-11	SUPPORT ASSEMBLY, footboard and brake (right)	FLSTC, FLSTF, FLSTN, FLSTFB, FLS, FLSS, FLSTFBS
12	42508-11BHP	BRACKET, brake lever and footrest (black)	FXSB
13	45041-01A	PIN, clevis (2)	FLSTC, FLSTF, FLSTN, FLSTFB, FLSTFBS
	45041-01A	PIN, clevis (4)	FXSB
14	50614-06	PAD (2)	FLSTF
15	50617-05	FOOTBOARD BOTTOM, (right)	FLSTN
16	50621-06	FOOTBOARD, includes pad (2)	FLSTF
17	50624-05	FOOTBOARD BOTTOM, (left)	FLSTN
18	50625-05	FOOTBOARD COVER (2)	FLSTN
19	50630-05	FOOTBOARD PAD (2)	FLSTN
20	50674-05	BOLT, footboard hinge (4)	FLSTC, FLSTF, FLSTN, FLSTFB, FLS, FLSS, FLSTFBS
21	50698-05	FOOTBOARD ASSEMBLY, with 50617-05, 50625-05 and 50630-05 (right)	FLSTN
22	50699-05	FOOTBOARD ASSEMBLY, with 50624-05, 50625-05 and 50630-05 (left)	FLSTN
23	50912-72	WASHER, SPRING (2)	FLSTC, FLSTF, FLSTN, FLSTFB, FLSTFBS
	50912-72	WASHER, SPRING (4)	FXSB
24	50943-05A	SUPPORT, passenger footrest (black) (2)	FLSTC, FLSTF, FLSTN, FLSTFB, FXSB, FLSTFBS
25	50944-05	SUPPORT, passenger footrest (left)	FLSTN
26	51218-09A	FOOTBOARD BOTTOM, (polished) (2)	FLSTC



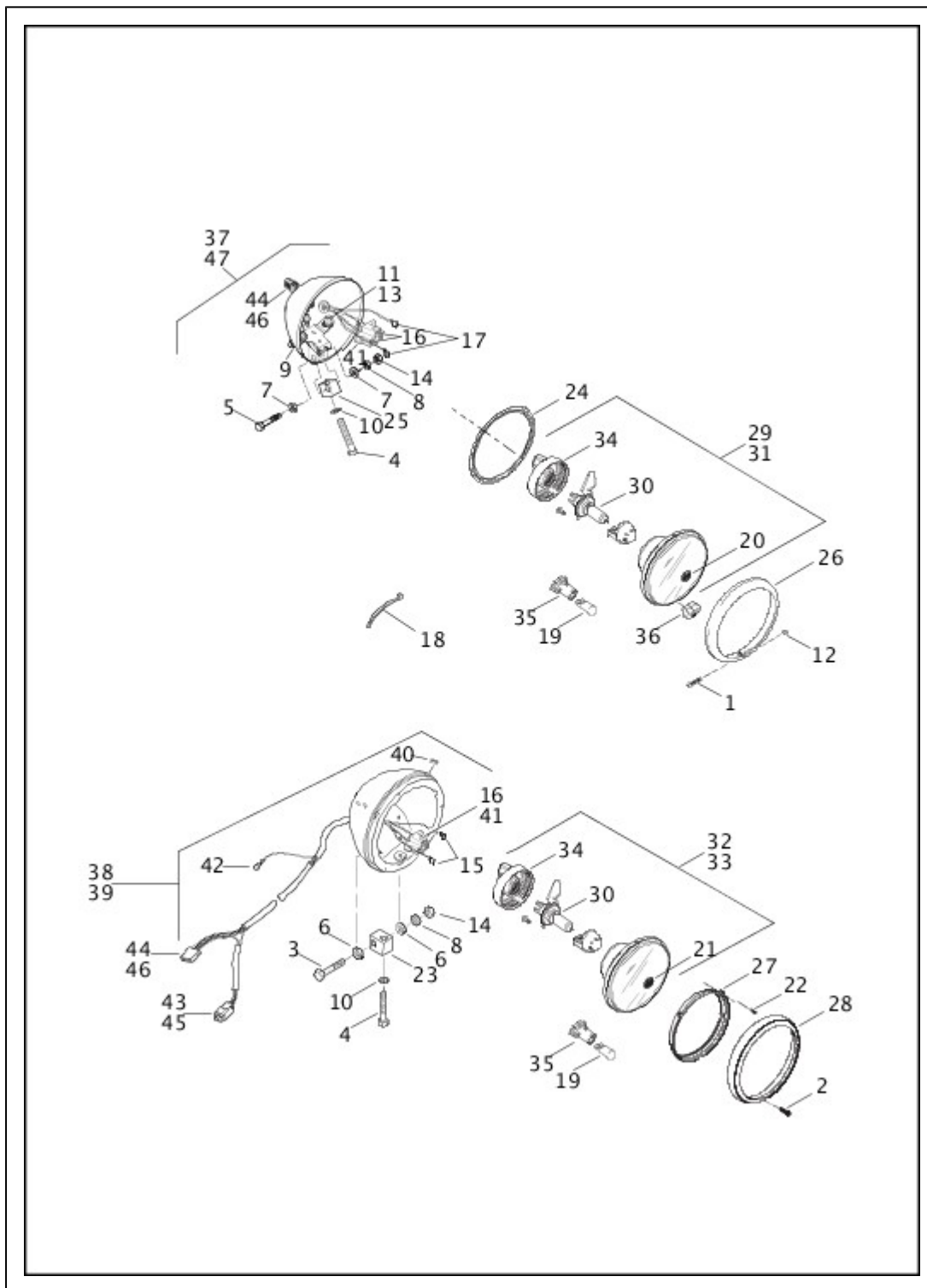
Index No.	Part No.	Description	Model(s)
NOTE: Refer to the Service Section of h-dnet.com for painted part numbers.			
1	761	PLUG	FLS, FLSS
2	3056	SCREW (4)	FLS, FLSS
3	3391	SCREW (2)	FLS, FLSS
4	4266A	SCREW (4)	FLS,



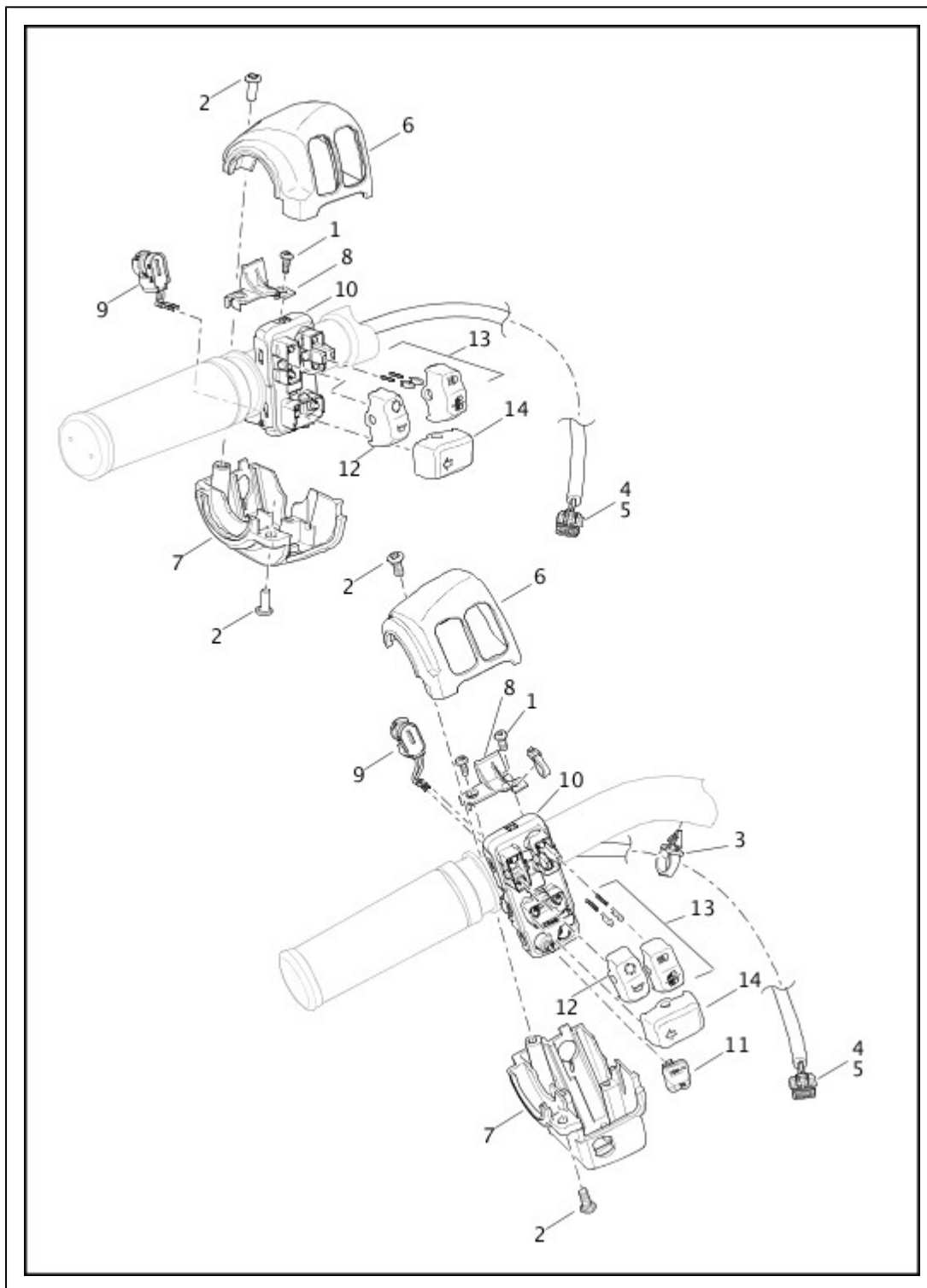
Index No.	Part No.	Description	Model(s)
NOTE: Refer to the Service Section of h-dnet.com for painted part numbers.			
1	2441	SCREW	FXSB
2	3017	SCREW	FLSTC, FLSTF, FLSTN, FLSTFB, FLS, FLSS, FLSTFBS
3	4197	BOLT	
4	4763	SCREW	
5	5471	BOLT	FXSB

8	74196-04	TERMINAL, socket, 20 AWG (5)	FXSB
9	74197-04	SECONDARY LOCK, 12-way, socket	FXSB
10	55900043	UPPER CLAMP, with speedometer housing	FXSB
11	69200530	HARNESS, instrument	FXSB
12	70900369C	SPEEDOMETER, mph	FXSB
	70900370A	SPEEDOMETER, km/h (Australia, Brazil, Canada, HDI, Japan)	FXSB
	70900371A	SPEEDOMETER, mph/km/h (England)	FXSB
13	2501A	SCREW (2)	FXSB

FUEL PUMP

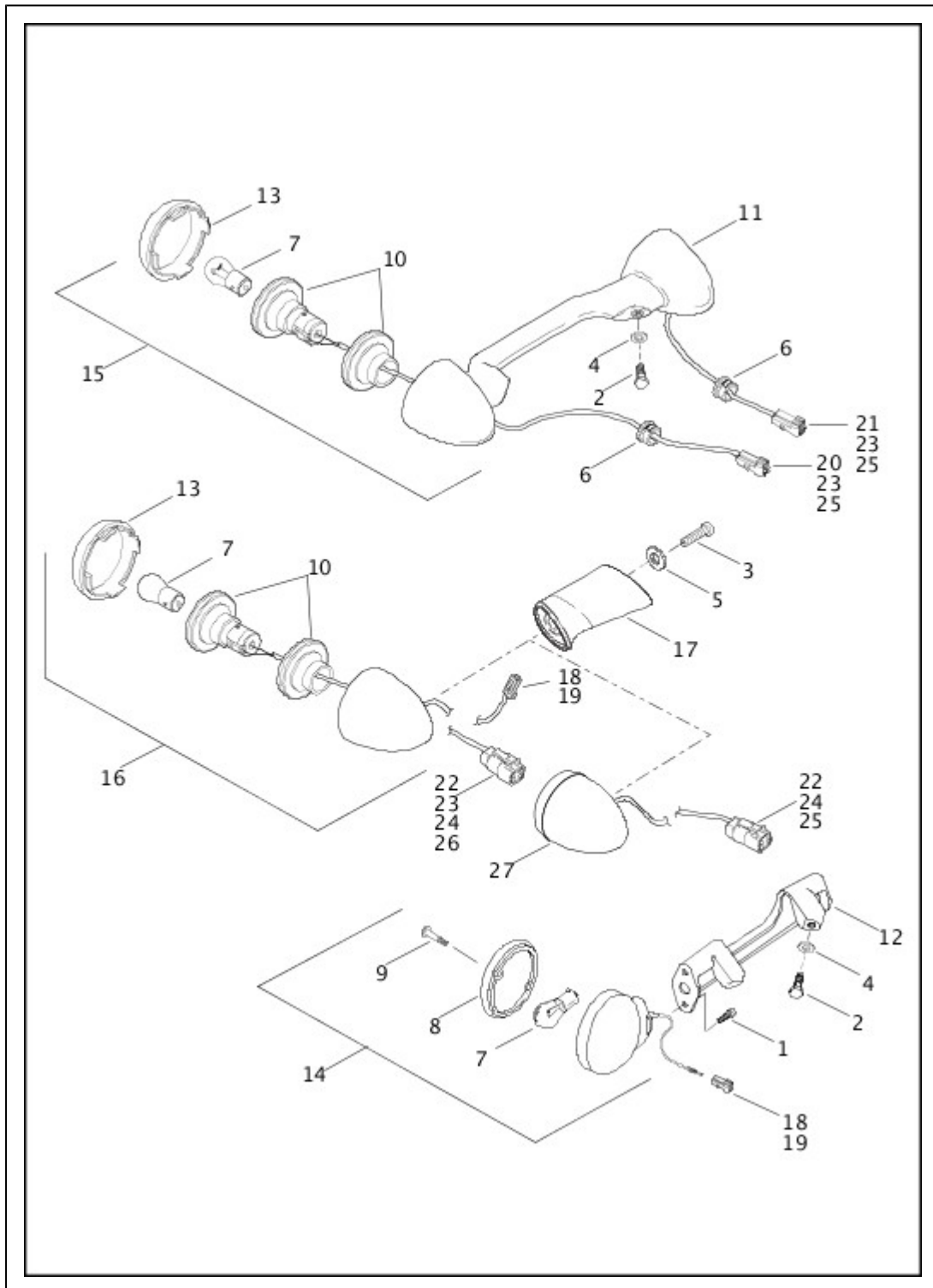


Index No.	Part No.	Description	Model(s)
1	3514	SCREW	FXSB
2	3615	SCREW	FLSTC, FLSTF, FLSTN, FLSTFB, FLS, FLSS, FLSTFBS
3	4411	BOLT	FLSTC, FLSTF, FLSTN, FLSTFB, FLS, FLSS, FLSTFBS
4	4722	BOLT	
5	4724	BOLT	FXSB



Index No.	Part No.	Description	Model(s)
1	2261	SCREW (2)	
2	3658	SCREW (2)	
3	70345-84	RETAINER, wire harness	
4	72908-11	HOUSING, four-way socket	
5	72910-11	TERMINAL, socket 20-22 AWG (4)	
6	72920-11	HOUSING, (upper) (left) (black)	
7	72922-11	HOUSING, (lower) (left) (black)	FXSB, FLSTF, FLSTFB, FLS

TURN SIGNALS, REAR (2 OF 2)



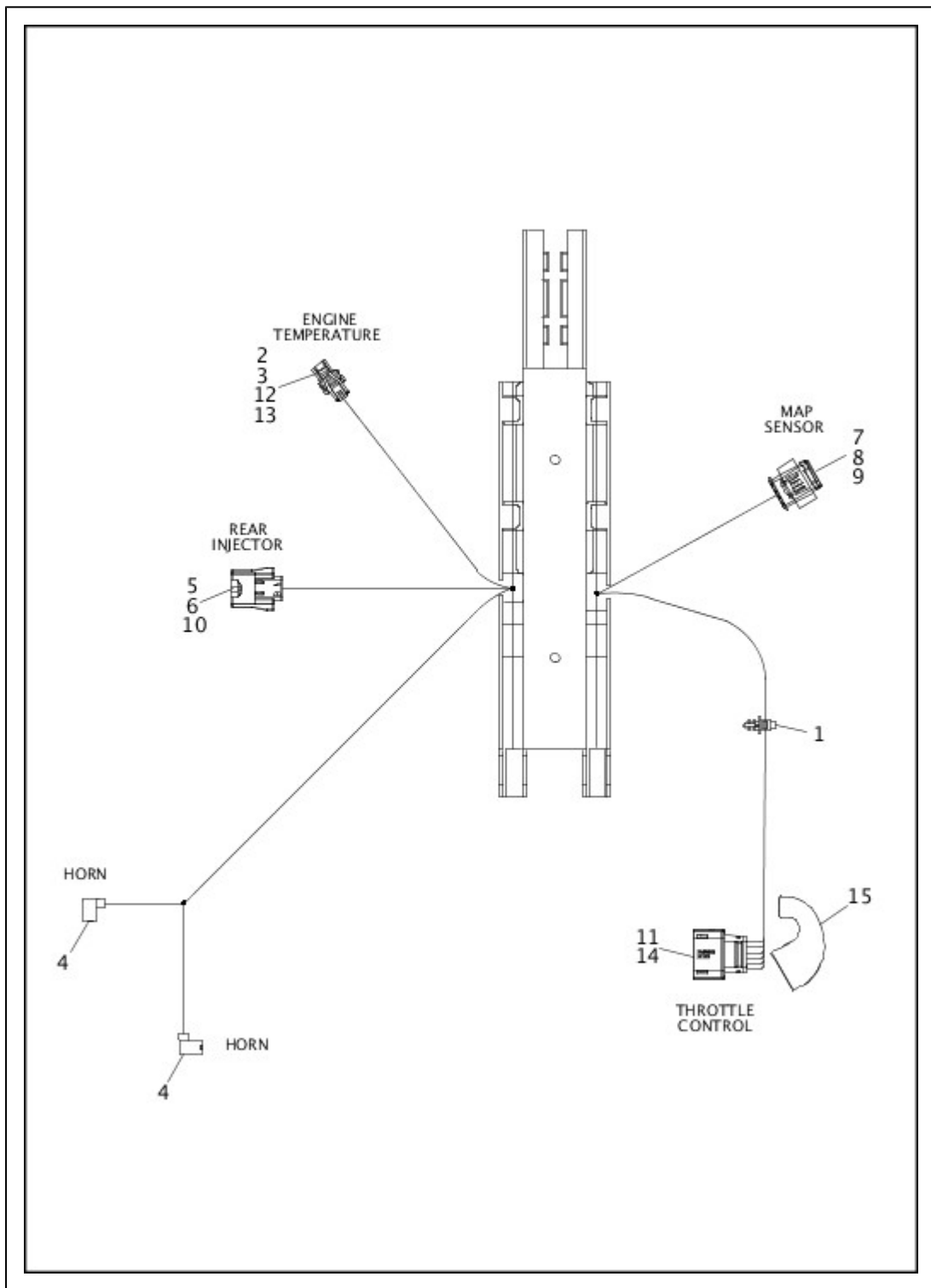
Index No.	Part No.	Description	Model(s)
17	69438-06	SUPPORT, rear lamp mounting (2)	FLSTF
	69933-08	SUPPORT, rear lamp mounting (black) (right side only) (Domestic)	FLS, FLSS

26	71019-07	SHROUD, exhaust actuator (HDI, Australia, England, India)	FLSTC
27	72177-07BK	HOUSING, four-way socket (black)	FLSTC
28	72344-10	TERMINAL, socket 22 AWG (gold) (2)	FLSTC
29	72444-07GY	HOUSING, four-way socket (gray)	FLSTC
30	73307-10	TERMINAL, socket 22 AWG (2)	FLSTC
31	32700005	OXYGEN SENSOR, front, with 11936, 72344-10, 72444-07GY and 73307-10	FLSTC
32	32700006	OXYGEN SENSOR, rear, with 11936, 72177-07BK, 72344-10 and 73307-10	FLSTC
33	65600031	EXHAUST PIPE ASSEMBLY, front	FLSTC
34	65600035A	EXHAUST PIPE ASSEMBLY, rear (Domestic, California, Canada)	FLSTC
	65600039A	EXHAUST PIPE ASSEMBLY, rear (HDI, Australia, England, India)	FLSTC
	65600035A	EXHAUST PIPE ASSEMBLY, rear (Asia-Pacific, Brazil, Japan)	FLSTC

EXHAUST SYSTEM - FLS, FLSS, FLSTF, FLSTFB, FLSTFBS AND FLSTN (1 OF 2)

6	72402-07	HOUSING, two-way socket (black)	FLS
7	72406-07A	HOUSING, four-way socket	FLS
8	72407-07	TERMINAL, socket, 16-20 AWG (4)	FLS
9	72408-07	WIRE SEAL, 20 AWG (blue) (4)	FLS
10	72413-07	TERMINAL, socket, 18-20 AWG (2)	FLS
11	72483-08BK	HOUSING, six-way socket (black)	FLS
12	72484-08	TERMINAL, socket, 20 AWG (2)	FLS
13	72486-08	WIRE SEAL, 20 AWG (green) (2)	FLS
14	72663-11	TERMINAL, socket, 18-20 AWG (silver) (6)	FLS
15	69200437	BOOT, rubber	FLS

WIRING HARNESS, MAIN, NON-ABS - FLS (3 OF 5)



Index No.	Part No.	Description	Model(s)
	69201080	WIRING HARNESS, MAIN	FLS, FLSS
NOTE: Includes the following parts.			
1	10177	CABLE STRAP	FLS, FLSS
2	72063-06	HOUSING, two-way socket	FLS, FLSS
3	72111-06	SECONDARY LOCK, two-way socket (gray)	FLS, FLSS
4	72283-09	TERMINAL, socket, 14-16 AWG (2)	FLS, FLSS
5	72251-07	SECONDARY LOCK, two-way socket (yellow)	FLS, FLSS

CLICK HERE TO **DOWNLOAD** THE COMPLETE MANUAL

- Thank you very much for reading the preview of the manual.
- You can download the complete manual from: www.heydownloads.com by clicking the link below



- Please note: If there is no response to CLICKING the link, please download this PDF first and then click on it.

CLICK HERE TO **DOWNLOAD** THE COMPLETE MANUAL

5	72007-05	HOUSING, two-way socket (2)	FLSTF, FLSTFB, FLSTFBS
6	72010-05	WIRE SEAL, 22-26 AWG (green) (4)	FLSTF, FLSTFB, FLSTFBS
7	72024-08	TERMINAL, socket, 20-22 AWG (4)	FLSTF, FLSTFB, FLSTFBS
8	72169-07	TERMINAL, pin, 16-20 AWG (8)	FLSTF, FLSTFB, FLSTFBS
9	72213-94	TERMINAL, socket, 16-20 AWG (2)	FLSTF, FLSTFB, FLSTFBS
10	72251-07	SECONDARY LOCK, two-way socket (yellow)	FLSTF, FLSTFB, FLSTFBS
11	72402-07	HOUSING, two-way socket	FLSTF, FLSTFB, FLSTFBS
12	72413-07	TERMINAL, socket, 18-20 AWG (2)	FLSTF, FLSTFB, FLSTFBS
13	72478-07BK	HOUSING, eight-way pin (black)	FLSTF, FLSTFB, FLSTFBS
14	72606-08	HOUSING, two-way socket	FLSTF, FLSTFB, FLSTFBS
15	72609-08	SECONDARY LOCK, two-way socket (black)	FLSTF, FLSTFB, FLSTFBS
16	72610-08	SEAL, cable, 18-20 AWG (white) (2)	FLSTF, FLSTFB, FLSTFBS
17	72905-11	HOUSING, two-way pin	FLSTF, FLSTFB, FLSTFBS
18	72907-11	HOUSING, four-way pin (2)	FLSTF, FLSTFB, FLSTFBS
19	72909-11	TERMINAL, pin, 20-21 AWG (15)	FLSTF, FLSTFB, FLSTFBS
20	72914-01BK	HOUSING, four-way socket (black)	FLSTF, FLSTFB, FLSTFBS
21	72991-01	TERMINAL, socket, 18-22 AWG (3)	FLSTF, FLSTFB, FLSTFBS
22	73104-96BK	HOUSING, four-way pin	FLSTF, FLSTFB, FLSTFBS
23	73106-96BK	HOUSING, six-way pin	FLSTF, FLSTFB, FLSTFBS
24	73190-96	TERMINAL, pin, 16-20 AWG (10)	FLSTF, FLSTFB, FLSTFBS
25	73198-96	RETAINER, anchored clip	FLSTF, FLSTFB, FLSTFBS
26	73213-07	RETAINER, anchored clip	FLSTF, FLSTFB, FLSTFBS
27	69201163	HOUSING, six-way pin	FLSTF, FLSTFB, FLSTFBS
28	69201164	TERMINAL, pin, 22 AWG (6)	FLSTF, FLSTFB, FLSTFBS
29	69201180	HOUSING, four-way pin (gray) (2)	FLSTF, FLSTFB, FLSTFBS
30	69201296	BRACKET, electrical connector, right	FLSTF, FLSTFB, FLSTFBS
31	69201297	BRACKET, electrical connector, left	FLSTF, FLSTFB, FLSTFBS

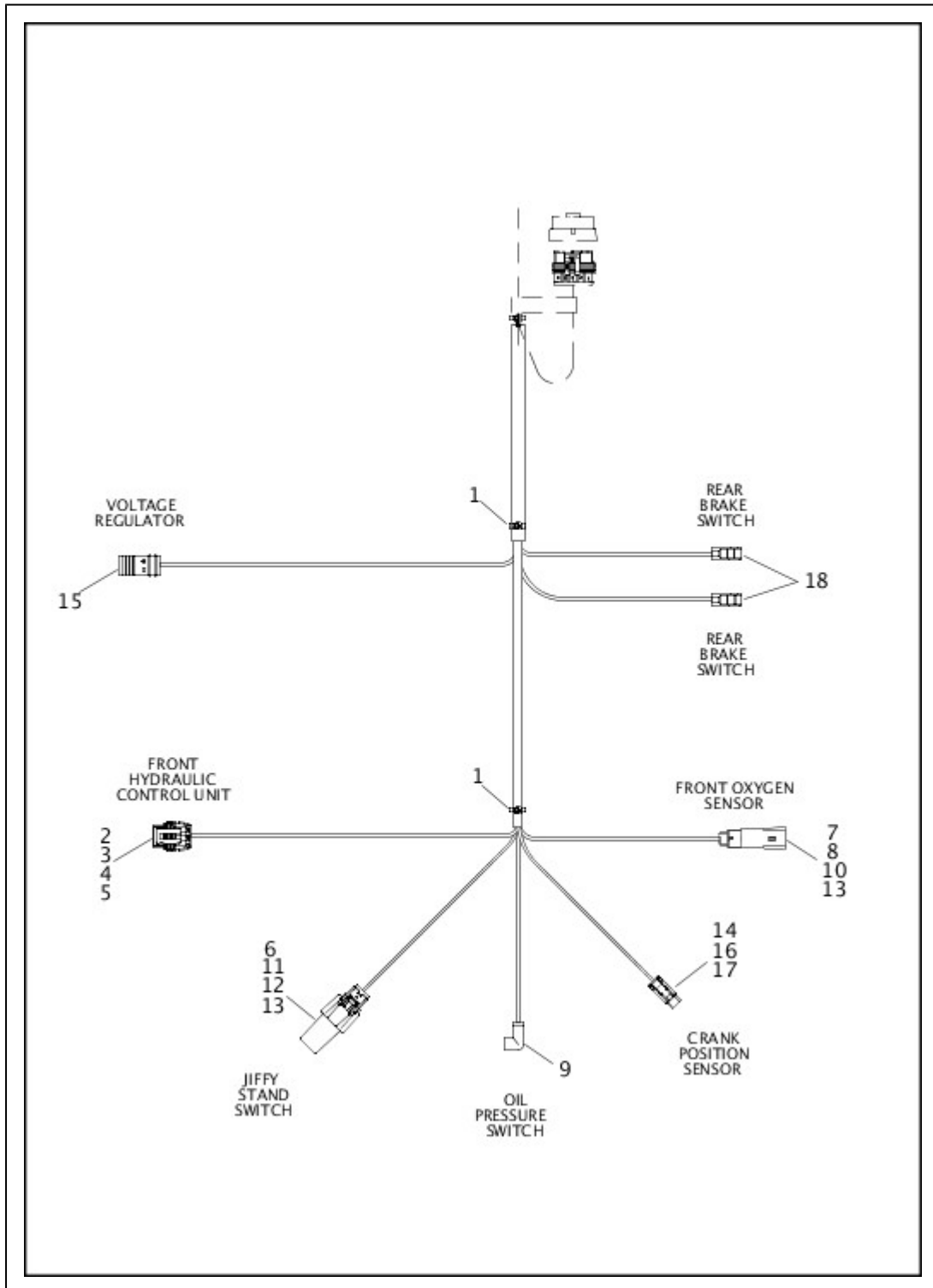
WIRING HARNESS, MAIN, ABS - FLSTF, FLSTFB AND FLSTFBS (2 OF 5)

5	72135-06	SECONDARY LOCK, four-way socket (gray)	FLSTF, FLSTFB, FLSTFBS
6	72168-07	TERMINAL, socket, 18-20 AWG (3)	FLSTF, FLSTFB, FLSTFBS
7	72169-07	TERMINAL, pin, 16-20 AWG (2)	FLSTF, FLSTFB, FLSTFBS
8	72343-10	TERMINAL, pin, 16-20 AWG (gold) (2)	FLSTF, FLSTFB, FLSTFBS
9	72405-98BK	PUSH ON 90 DEGREE CONNECTOR	FLSTF, FLSTFB, FLSTFBS
10	72415-07GY	HOUSING, four-way pin (gray)	FLSTF, FLSTFB, FLSTFBS
11	72512-07BK	HOUSING, three-way socket (black)	FLSTF, FLSTFB, FLSTFBS
12	72519-09BK	DUST CAP, three-way socket	FLSTF, FLSTFB, FLSTFBS
13	73213-07	RETAINER, anchored clip (2)	FLSTF, FLSTFB, FLSTFBS
14	74112-98BK	HOUSING, two-way socket (black)	FLSTF, FLSTFB, FLSTFBS
15	74120-08	DC LEAD ASSEMBLY	FLSTF, FLSTFB, FLSTFBS
16	74152-98	SECONDARY LOCK, two-way socket	FLSTF, FLSTFB, FLSTFBS
17	74191-98	TERMINAL, socket (2)	FLSTF, FLSTFB, FLSTFBS
18	69200238	TERMINAL, insulated (2)	FLSTF, FLSTFB, FLSTFBS

WIRING HARNESS, MAIN, ABS - FLSTC AND FLSTN (1 OF 5)

35	72581-11	TERMINAL, socket, 18-20 AWG (gold) (12)	FLSTN, FLSTC
36	72593-11	TERMINAL, socket, 14-16 AWG (gold) (3)	FLSTN, FLSTC
37	72606-08	HOUSING, two-way socket	FLSTN, FLSTC
38	72609-08	SECONDARY LOCK, two-way socket (black) (2)	FLSTN, FLSTC
39	72610-08	SEAL, cable, 18-20 AWG (white) (4)	FLSTN, FLSTC
40	73304-04	TERMINAL, .31 socket, 10 AWG	FLSTN, FLSTC
41	73305-04	SEAL WIRE, 10 AWG (blue)	FLSTN, FLSTC

WIRING HARNESS, MAIN, ABS - FLSTC AND FLSTN (5 OF 5)



28	72484-08	TERMINAL, socket, 20 AWG (6)	FXSB
28	72484-08	TERMINAL, socket, 20 AWG (Brazil) (8)	FXSB
29	72486-08	WIRE SEAL, 20 AWG (green) (6)	FXSB
29	72486-08	WIRE SEAL, 20 AWG (green) (Brazil) (8)	FXSB
30	72500-07ABK	HOUSING, 20-way socket (black)	FXSB
31	72518-01	HOUSING, socket, two-way (red)	FXSB
32	72543-07BK	HOUSING, three-way socket (black)	FXSB
33	72544-07	SECONDARY LOCK, three-way socket	FXSB
34	72553-07	DUST CAP, five-way	FXSB
35	72575-11	SECONDARY LOCK	FXSB
36	72581-11	TERMINAL, socket, 18-20 AWG (gold) (12)	FXSB
37	72593-11	TERMINAL, socket, 14-16 AWG (gold) (3)	FXSB
38	72606-08	HOUSING, two-way socket	FXSB
39	72609-08	SECONDARY LOCK, two-way socket (black) (2)	FXSB
40	72610-08	SEAL, cable, 18-20 AWG (white) (4)	FXSB
41	72664-12A	HOUSING, 18-way, socket, key A (black)	FXSB
42	72666-12	TERMINAL, socket, 18-20 AWG (silver) (36)	FXSB
43	73304-04	TERMINAL, .31 socket, 10 AWG	FXSB
44	73305-04	SEAL WIRE, 10 AWG (blue)	FXSB
45	69200267A	HOUSING, 18-way, socket, key B (gray)	FXSB
46	69200268A	HOUSING, 18-way, socket, key C (brown)	FXSB
47	69201168	TERMINAL, socket, 22 AWG (silver)	FXSB

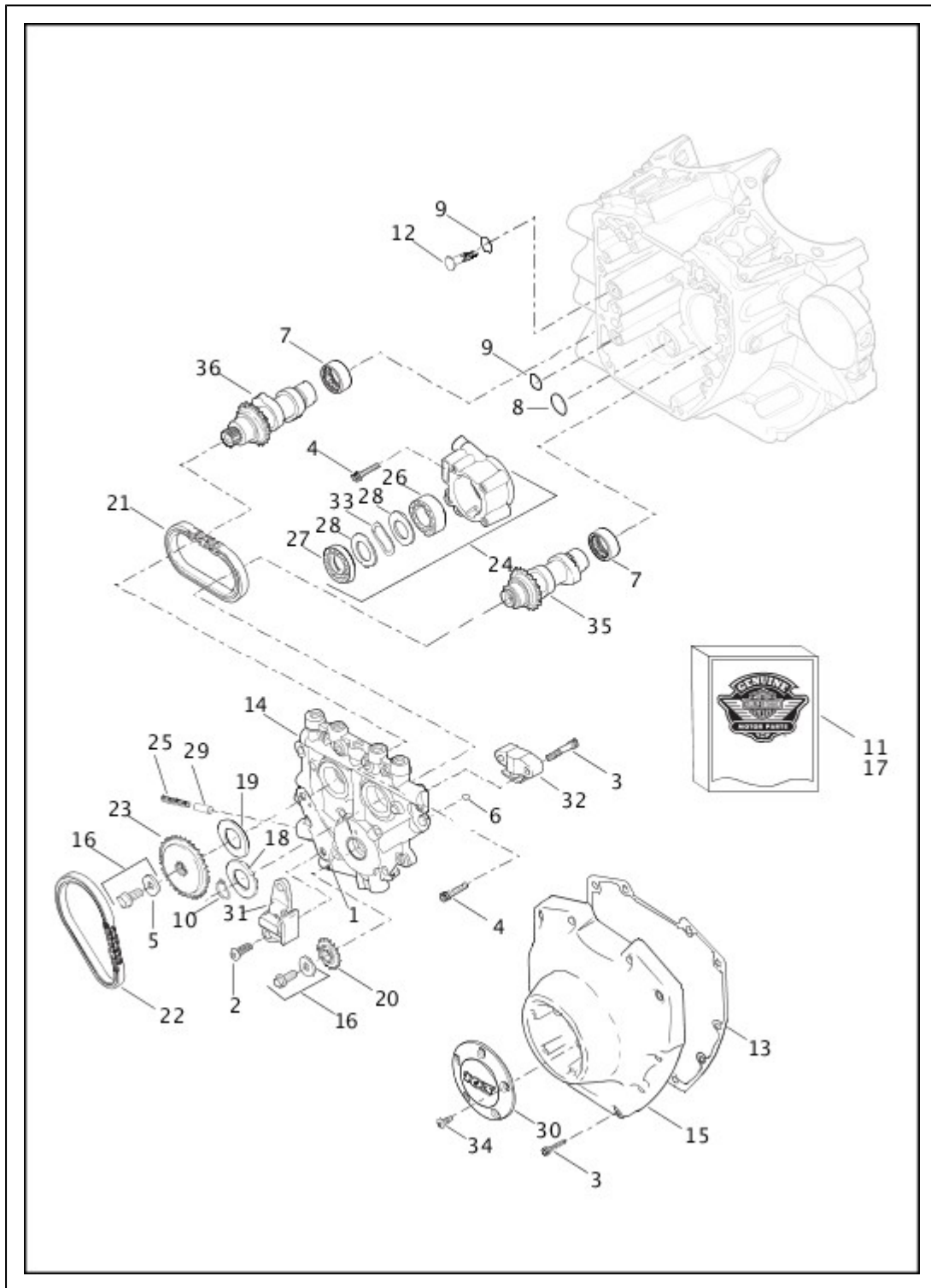
WIRING HARNESS, MAIN, ABS - FXSB (5 OF 5)

2	6702	WASHER (2)	FLSTC
3	7549A	ACORN NUT (2)	FLSTC
4	7531	LOCKNUT (4)	FLSTC
5	90247-00	BUCKLE ASSEMBLY (4)	FLSTC
6	90367-03	STUD (4)	FLSTC
7	90438-10	SADDLEBAG STRAP REPAIR KIT (4)	FLSTC
8	91679-00	BACKPLATE (4)	FLSTC
9	10200410	BOLT (2)	FLSTC
10	10300100	WASHER, retaining (2)	FLSTC
11	61400327	CONCHO (4)	FLSTC
12	90201299	SADDLEBAG, (left) (not shown)	FLSTC
	90201300	SADDLEBAG, (right)	FLSTC
13	90201305	SUPPORT BAR, saddlebag	FLSTC

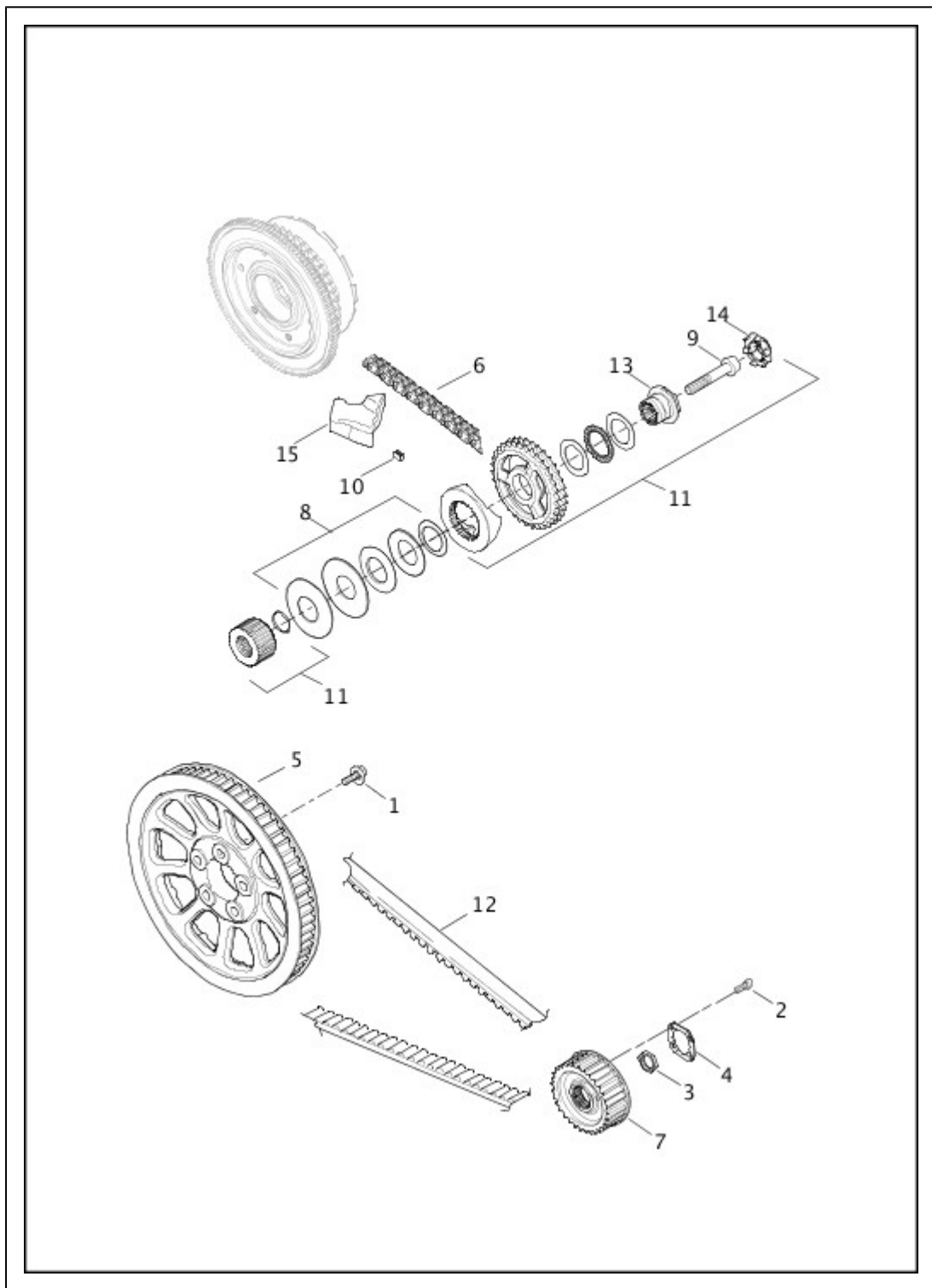
GUARDS, SAREE

4763	SCREW 5/16-18 X 1-1/4 TORX button hd. (Grade 5)
4775	SCREW 3/8-16 X 1-1/4 hex hd. (Grade 5)
4813A	SCREW 1/4-20 X 1-3/8 knurled hd., w/lockpatch
4814A	SCREW 1/4-20 X 1-1/8 knurled hd., w/lockpatch
4836	SCREW 3/8-16 X 4 TORX socket hd. (Grade 8)
4867	SCREW hex hd., socket
4945	SCREW 7/16-20 UNRF X 1-1/4 hex hd. (zinc plate)
5403B	BOLT 1/4-20 X 3/8 carriage
5416	BOLT 3/8-16 X 1/8 carriage (Grade 5)
5419	BOLT 5/16-18 X 1-3/4 carriage
54321-85	NUT No. 8-32 X 1/2 X 1/8 (brass)
5471	BOLT 5/16-18 X 5/8 round hd. carriage
5710	WASHER 63/64 X 1-1/2 X 5/64
5775	WASHER 11/32 X 1/2 X 31/64
6019	WASHER 3/8 X 29/32 X 1/16
6036	WASHER 17/64 X 1 X 1/16
6057	WASHER 1/2 X 7/8 X 3/16, nylon
6072	WASHER 3/8 X 1 1/4 X 5/64
6099	WASHER 1/4 X 7/16 X 1/16
6101	WASHER 17/64 X 27/64 X 1/16
6109	WASHER 5/16 X 11/16 X 1/8
6110	WASHER 9/32 X 5/8 X 1/16
6229W	WASHER 5/16 X 1-1/16 X 3/64
6237	WASHER 5/16 X 1-1/8 X 5/64
6294	WASHER 3/8 X 1-1/8 X 7/32
6336B	WASHER 5/16 X 15/16 X 3/16
6400HB	WASHER 5/16 X 13/16 X 3/32
6456	WASHER 13/32 X 1-3/16 X 9/64
6497HW	WASHER 29/64 X 1-1/8 X 1/16
6516HW	WASHER 7/16 X 1-1/8 X 1/8
6530	WASHER 1/2 X 1 X 3/16
6532	WASHER 3/8 X 3/4 X 1/8

CAMSHAFTS AND CAMSHAFT COVER - TWIN CAM 103™

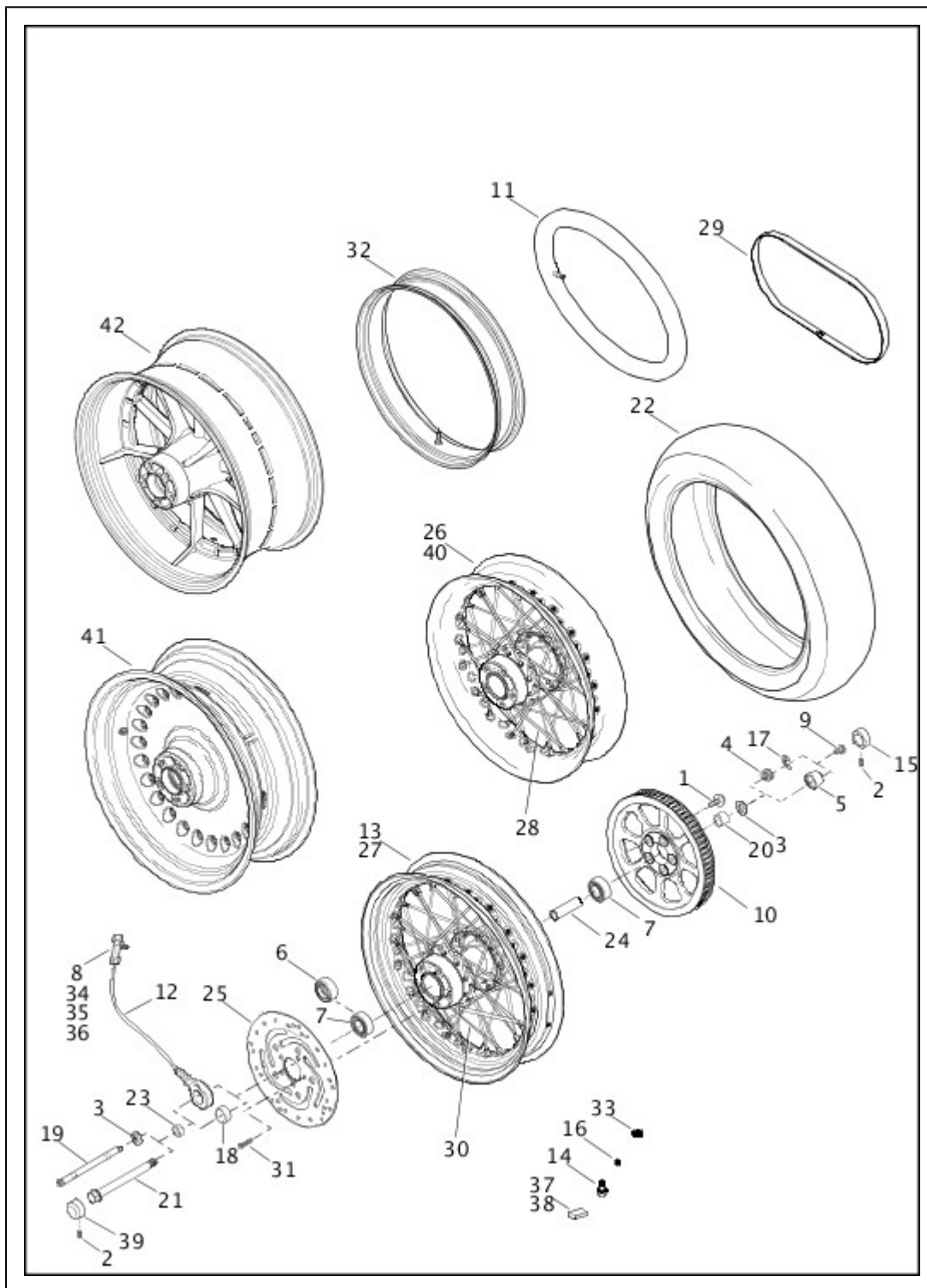


Index No.	Part No.	Description	Model(s)
30	32727-00	TIMER COVER, (chrome)	FXSB, FLSTC, FLSTF, FLSTN, FLSTFB
	32543-07	TIMER COVER, (denim black)	FLS
35	25400002	CAMSHAFT, front	FXSB, FLSTC, FLSTF, FLSTN, FLSTFB, FLS
36	25400003	CAMSHAFT, rear	FXSB, FLSTC, FLSTF, FLSTN, FLSTFB, FLS

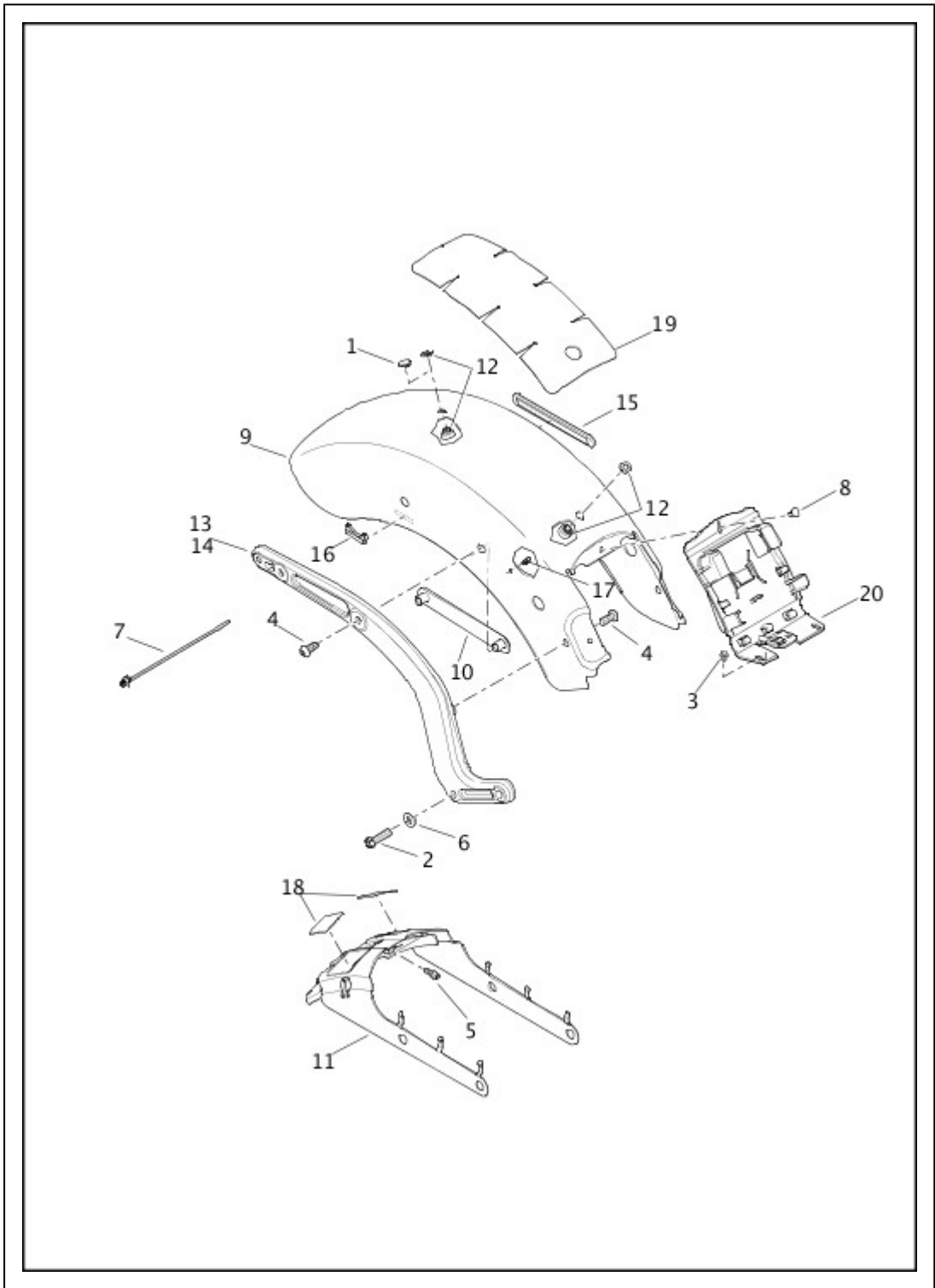


Index No.	Part No.	Description	Model(s)
5	40325-07	SPROCKET, rear, 66 teeth (black)	

CLUTCH CONTROL - FLSS AND FLSTFBS



Index No.	Part No.	Description	Model(s)
37	95594-84B	WEIGHT, 5 g (black)	FLS, FXSB
39	12600177	COVER, nut, right (black)	FLSS, FLSTFBS
41	40900182	WHEEL ASSEMBLY, rear, 17 in disc, without bearings and sleeve (black)	FLSTFBS, FLSTFB
	43596-09	WHEEL ASSEMBLY, rear, 17 in disc, without bearings and sleeve (chrome)	FLSTF

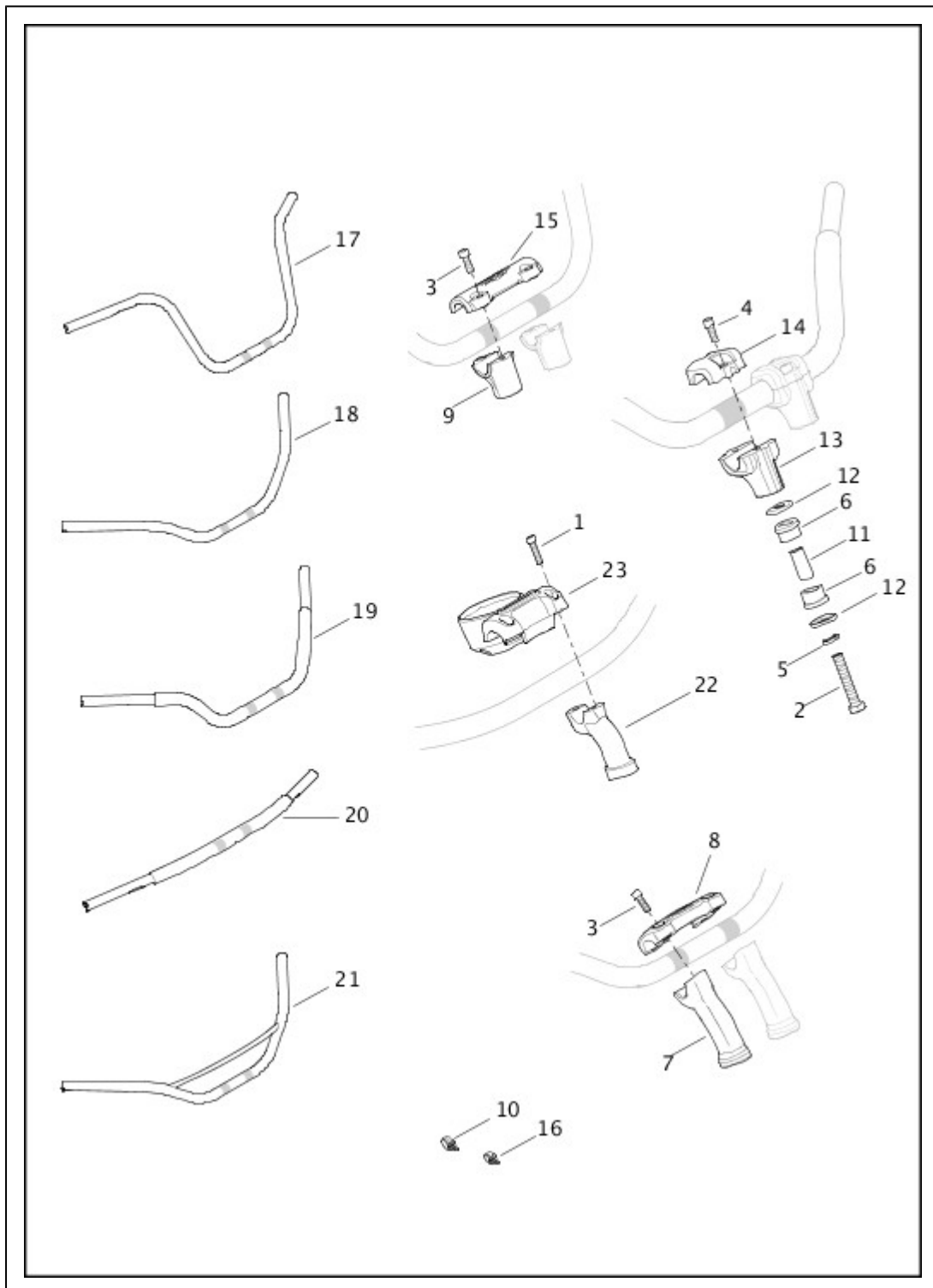


Index No.	Part No.	Description	Model(s)
20	69201085	CADDY, ECM	FLS, FLSS

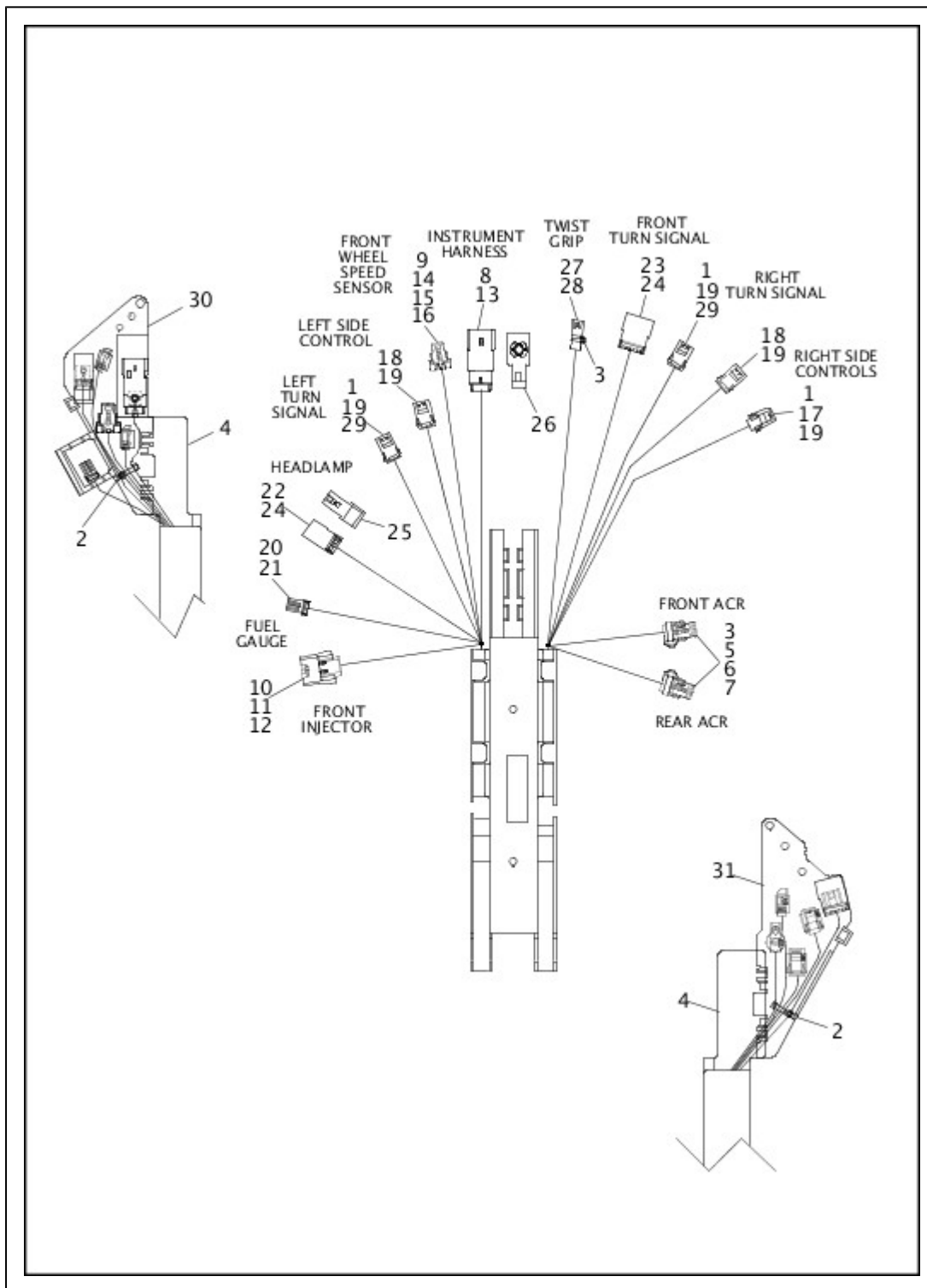
LICENSE PLATE BRACKETS - FXSB

13	71500299	SWITCH CAP, off/run switch, with pins and springs	
14	71500300	SWITCH CAP, right turn switch	

HANDLEBAR



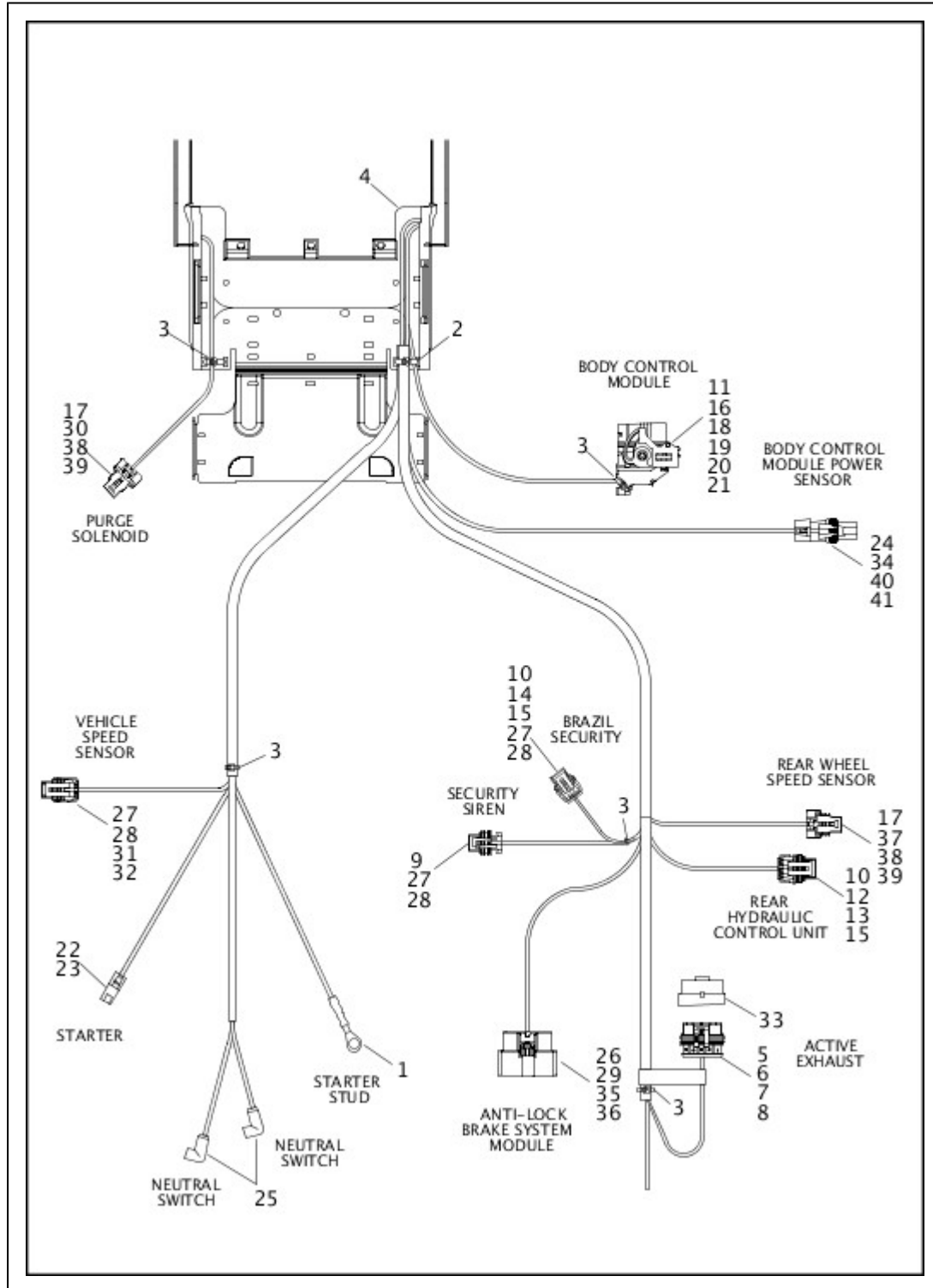
Index No.	Part No.	Description	Model(s)
	55900098	RISER, (gloss black) (2)	FLSS
	55900097	RISER, (gloss black) (2)	FLSTFBS



Index No.	Part No.	Description	Model(s)
27	69201163	HOUSING, six-way pin	FLS, FLSS
28	69201164	TERMINAL, pin, 22 AWG (6)	FLS, FLSS
29	69201180	HOUSING, four-way pin (gray) (2)	FLS, FLSS
30	69201296	BRACKET, electrical connector, right	FLS, FLSS
31	69201297	BRACKET, electrical connector, left	FLS, FLSS

Index No.	Part No.	Description	Model(s)
43	69200267A	HOUSING, 18-way, socket, key B (gray)	FLSTN, FLSTC
44	69200268A	HOUSING, 18-way, socket, key C (brown)	FLSTN, FLSTC
45	69201168	TERMINAL, socket, 22 AWG (silver) (2)	FLSTN, FLSTC

WIRING HARNESS, MAIN, ABS - FLSTC AND FLSTN (4 OF 5)



Index No.	Part No.	Description	Model(s)
-----------	----------	-------------	----------

10113	TAIL LAMP - FLSTC, FLSTF, FLSTFB AND FLSTFBS
10115	TAIL LAMP - FLSTC, FLSTF, FLSTFB AND FLSTFBS TAIL LAMP - FLSTN
10119	EXHAUST SYSTEM - FLS, FLSS, FLSTF, FLSTFB, FLSTFBS AND FLSTN (1 OF 2)
10124	CLUTCH CONTROL - FLS, FLSTC, FLSTF, FLSTFB, FLSTN AND FXSB
10147	WHEELS, FRONT (1 OF 2) WHEELS, REAR (1 OF 2) EXHAUST SYSTEM - FXSB EXHAUST SYSTEM - FLSTC WIRING HARNESS, MAIN, ABS - FLSTF, FLSTFB AND FLSTFBS (3 OF 5) WIRING HARNESS, MAIN, ABS - FLSTC AND FLSTN (3 OF 5)
10177	ENGINE MOUNTS ELECTRONIC CONTROL MODULE (ECM) AND COIL FENDERS AND SUPPORTS, REAR - FLS AND FLSS LICENSE PLATE BRACKETS - FXSB WIRING HARNESS, MAIN, NON-ABS - FLS (1 OF 5) WIRING HARNESS, MAIN, NON-ABS - FLS (2 OF 5) WIRING HARNESS, MAIN, ABS - FLS AND FLSS (1 OF 5) WIRING HARNESS, MAIN, ABS - FLS AND FLSS (2 OF 5) WIRING HARNESS, MAIN, ABS - FLSTF, FLSTFB AND FLSTFBS (1 OF 5) WIRING HARNESS, MAIN, ABS - FLSTF, FLSTFB AND FLSTFBS (2 OF 5) WIRING HARNESS, MAIN, ABS - FLSTC AND FLSTN (1 OF 5) WIRING HARNESS, MAIN, ABS - FLSTC AND FLSTN (2 OF 5) WIRING HARNESS, MAIN, ABS - FXSB (1 OF 5) WIRING HARNESS, MAIN, ABS - FXSB (2 OF 5) SWITCHES
10183	TAIL LAMP - FLSTC, FLSTF, FLSTFB AND FLSTFBS TAIL LAMP - FLSTC, FLSTF, FLSTFB AND FLSTFBS
10193	FRAME AND JIFFY STAND
10200201	FENDER, FRONT
10200374	FUEL PUMP
10200386	GUARDS, SAREE
10200410	SADDLEBAGS - FLSTC
10208	OIL TANK AND LINES - EXCEPT FXSB OIL TANK AND LINES - FXSB
10216	OIL TANK AND LINES - EXCEPT FXSB
10226	FENDERS AND SUPPORTS, REAR - FLSTC FENDERS AND SUPPORTS, REAR - FLSTN FENDERS AND SUPPORTS, REAR - FLS AND FLSS
10228	FENDERS AND SUPPORTS, REAR - FLSTF, FLSTFB AND FLSTFBS
10300100	SADDLEBAGS - FLSTC
10326A	WHEELS, REAR (1 OF 2) WHEELS, REAR (1 OF 2)
1039	ROCKER ARM ASSEMBLY AND PUSHRODS - TWIN CAM 103™ ROCKER ARM ASSEMBLY AND PUSH RODS - TWIN CAM 110™
10500031	BELT, CHAINS AND SPROCKETS

24754-75A	PRIMARY HOUSING
24983-00	CAMSHAFTS AND CAMSHAFT COVER - TWIN CAM 103™ CAMSHAFTS and CAMSHAFT COVER - TWIN CAM 110™
2501A	INSTRUMENTS - FLSTF, FLSTFB, FLSTFBS AND FLSTN INSTRUMENTS - FLS, FLSS AND FLSTC INSTRUMENTS - FXSB
25244-99A	CAMSHAFTS AND CAMSHAFT COVER - TWIN CAM 103™ CAMSHAFTS and CAMSHAFT COVER - TWIN CAM 110™
25355-06A	CAMSHAFTS AND CAMSHAFT COVER - TWIN CAM 103™ CAMSHAFTS and CAMSHAFT COVER - TWIN CAM 110™
25363-01B	CAMSHAFTS AND CAMSHAFT COVER - TWIN CAM 103™
25369-01B	CAMSHAFTS AND CAMSHAFT COVER - TWIN CAM 103™
2538	SEATS
25395-10	CAMSHAFTS AND CAMSHAFT COVER - TWIN CAM 103™
25400002	CAMSHAFTS AND CAMSHAFT COVER - TWIN CAM 103™
25400003	CAMSHAFTS AND CAMSHAFT COVER - TWIN CAM 103™
25566-06	CAMSHAFTS AND CAMSHAFT COVER - TWIN CAM 103™ CAMSHAFTS and CAMSHAFT COVER - TWIN CAM 110™
25585-06	CAMSHAFTS AND CAMSHAFT COVER - TWIN CAM 103™ CAMSHAFTS and CAMSHAFT COVER - TWIN CAM 110™
25600012	CAMSHAFTS and CAMSHAFT COVER - TWIN CAM 110™
25604-00A	TRANSMISSION HOUSING - FXSB, FLSTC, FLSTF, FLSTN, FLSTFB AND FLS
25605-00A	TRANSMISSION HOUSING - FXSB, FLSTC, FLSTF, FLSTN, FLSTFB AND FLS
25638-07	CAMSHAFTS and CAMSHAFT COVER - TWIN CAM 110™
2566	CLUTCH CONTROL - FLS, FLSTC, FLSTF, FLSTFB, FLSTN AND FXSB
25673-06	CAMSHAFTS AND CAMSHAFT COVER - TWIN CAM 103™ CAMSHAFTS and CAMSHAFT COVER - TWIN CAM 110™
25675-06	CAMSHAFTS AND CAMSHAFT COVER - TWIN CAM 103™ CAMSHAFTS and CAMSHAFT COVER - TWIN CAM 110™
25683-06	CAMSHAFTS AND CAMSHAFT COVER - TWIN CAM 103™ CAMSHAFTS and CAMSHAFT COVER - TWIN CAM 110™
25700020	PRIMARY HOUSING
25700037	PRIMARY HOUSING
25700038	PRIMARY HOUSING
25700043	PRIMARY HOUSING
25700178	TRANSMISSION HOUSING - FLSS AND FLSTFBS
25700180	TRANSMISSION HOUSING - FLSS AND FLSTFBS
25700226	PRIMARY HOUSING

37904-90	CLUTCH - TWIN CAM 103™ CLUTCH - ASSIST AND SLIP - TWIN CAM 110™
37905-00	CLUTCH - TWIN CAM 103™ CLUTCH - ASSIST AND SLIP - TWIN CAM 110™
37906-11	CLUTCH - TWIN CAM 103™ CLUTCH - ASSIST AND SLIP - TWIN CAM 110™
37909-90	CLUTCH - TWIN CAM 103™ CLUTCH - ASSIST AND SLIP - TWIN CAM 110™
37912-00	CLUTCH - TWIN CAM 103™
37913-98	CLUTCH - TWIN CAM 103™
37932-98	CLUTCH - TWIN CAM 103™
3799	EXHAUST SYSTEM - FXSB EXHAUST SYSTEM - FLSTC EXHAUST SYSTEM - FLS, FLSS, FLSTF, FLSTFB, FLSTFBS AND FLSTN (1 OF 2)
38630-88	CLUTCH CONTROL - FLS, FLSTC, FLSTF, FLSTFB, FLSTN AND FXSB
38700-08A	CLUTCH CONTROL - FLS, FLSTC, FLSTF, FLSTFB, FLSTN AND FXSB
38769-07A	SENSORS AND SWITCHES, ENGINE - TWIN CAM 103™ SENSORS AND SWITCHES, ENGINE - TWIN CAM 110™
38900-08	CLUTCH CONTROL - FLS, FLSTC, FLSTF, FLSTFB, FLSTN AND FXSB
3953W	FORK BRACKETS, FRONT - FLS, FLSS, FLSTC, FLSTF, FLSTFB, FLSTFBS AND FLSTN
3983	TRANSMISSION HOUSING - FXSB, FLSTC, FLSTF, FLSTN, FLSTFB AND FLS TRANSMISSION HOUSING - FLSS AND FLSTFBS
3987	REAR BELT GUARD TURN SIGNALS, REAR (1 OF 2)
39929-06B	PRIMARY HOUSING
39968-06	CAMSHAFTS AND CAMSHAFT COVER - TWIN CAM 103™ CAMSHAFTS and CAMSHAFT COVER - TWIN CAM 110™
39969-06	CAMSHAFTS AND CAMSHAFT COVER - TWIN CAM 103™ CAMSHAFTS and CAMSHAFT COVER - TWIN CAM 110™
40000001	BELT, CHAINS AND SPROCKETS
40036-06	BELT, CHAINS AND SPROCKETS
40059-09A	BELT, CHAINS AND SPROCKETS
40100041	BELT, CHAINS AND SPROCKETS
4017	SHIFTER, GEAR
40323-00	CAMSHAFTS AND CAMSHAFT COVER - TWIN CAM 103™ CAMSHAFTS and CAMSHAFT COVER - TWIN CAM 110™
40325-07	BELT, CHAINS AND SPROCKETS WHEELS, REAR (1 OF 2)
4042	FORK, FRONT-FLS,FLSS,FLSTC,FLSTF,FLSTFB,FLSTFBS AND FLSTN (1 OF 2) FORK, FRONT - FXSB

4775	ENGINE MOUNTS
47798-08BHP	FENDERS AND SUPPORTS, REAR - FLSTC FENDERS AND SUPPORTS, REAR - FLSTN
47807-08BHP	FENDERS AND SUPPORTS, REAR - FLSTC FENDERS AND SUPPORTS, REAR - FLSTN
47809-08BHP	FENDERS AND SUPPORTS, REAR - FLSTF, FLSTFB AND FLSTFBS
47813-08BHP	FENDERS AND SUPPORTS, REAR - FLSTF, FLSTFB AND FLSTFBS
48048-00A	FORK, REAR AND SHOCK ABSORBERS
48049-08	FORK, REAR AND SHOCK ABSORBERS
48052-07	TRANSMISSION HOUSING - FXSB, FLSTC, FLSTF, FLSTN, FLSTFB AND FLS TRANSMISSION HOUSING - FLSS AND FLSTFBS
48054-00	ENGINE MOUNTS
48076-08	FORK, REAR AND SHOCK ABSORBERS
48093-00	ENGINE MOUNTS
48094-00	ENGINE MOUNTS
48104-08	FORK, REAR AND SHOCK ABSORBERS
4813A	PRIMARY HOUSING FRAME AND JIFFY STAND
4814A	ALTERNATOR AND REGULATOR
48300-60	FORK BRACKETS, FRONT - FLS, FLSS, FLSTC, FLSTF, FLSTFB, FLSTFBS AND FLSTN FORK BRACKETS, FRONT - FXSB
48315-60	FORK BRACKETS, FRONT - FLS, FLSS, FLSTC, FLSTF, FLSTFB, FLSTFBS AND FLSTN FORK BRACKETS, FRONT - FXSB FRAME AND JIFFY STAND
48324-00A	FORK BRACKETS, FRONT - FXSB
4836	FOOTRESTS AND FOOTBOARDS
48361-80	FORK BRACKETS, FRONT - FLS, FLSS, FLSTC, FLSTF, FLSTFB, FLSTFBS AND FLSTN FORK BRACKETS, FRONT - FXSB
48365-48A	FORK BRACKETS, FRONT - FLS, FLSS, FLSTC, FLSTF, FLSTFB, FLSTFBS AND FLSTN FORK BRACKETS, FRONT - FXSB
48619-07A	FORK, REAR AND SHOCK ABSORBERS
4867	FORK, REAR AND SHOCK ABSORBERS SWITCHES
48868-07	FRAME AND JIFFY STAND
49000014	FORK, REAR AND SHOCK ABSORBERS
49377-09A	FORK, FRONT-FLS,FLSS,FLSTC,FLSTF,FLSTFB,FLSTFBS AND FLSTN (2 OF 2)
49379-09	FORK, FRONT - FXSB
4945	FORK BRACKETS, FRONT - FLS, FLSS, FLSTC, FLSTF, FLSTFB, FLSTFBS AND FLSTN

62492-01A	OIL TANK AND LINES - EXCEPT FXSB
62498-01A	OIL TANK AND LINES - EXCEPT FXSB
62500015	OIL TANK AND LINES - FXSB
62507-10BYM	OIL TANK AND LINES - EXCEPT FXSB
62543-11	FUEL TANK
62555-95	FUEL TANK
62700056	OIL TANK AND LINES - FXSB
62700062	BELT, CHAINS AND SPROCKETS
62700064	BELT, CHAINS AND SPROCKETS
62769-00A	OIL TANK AND LINES - EXCEPT FXSB OIL TANK AND LINES - FXSB
62845-00A	OIL TANK AND LINES - EXCEPT FXSB
62880-00	FUEL TANK
62881-00	FUEL TANK
62900-01D	FUEL TANK
6294	CAMSHAFTS AND CAMSHAFT COVER - TWIN CAM 103™ CAMSHAFTS and CAMSHAFT COVER - TWIN CAM 110™
63034-08	OIL TANK AND LINES - FXSB
6336B	TURN SIGNALS, REAR (1 OF 2)
63521-95A	FUEL TANK
63553-00B	OIL TANK AND LINES - EXCEPT FXSB
63601-00	OIL TANK AND LINES - EXCEPT FXSB OIL TANK AND LINES - FXSB
63611-00	OIL TANK AND LINES - EXCEPT FXSB
63632-00	OIL TANK AND LINES - EXCEPT FXSB OIL TANK AND LINES - FXSB
63731-99A	CRANKCASE AND ENGINE OIL FILTER - TWIN CAM 103™ CRANKCASE AND ENGINE OIL FILTER - TWIN CAM 110™
63783-00	OIL TANK AND LINES - EXCEPT FXSB OIL TANK AND LINES - FXSB
63798-99A	CRANKCASE AND ENGINE OIL FILTER - TWIN CAM 103™
6400HB	FENDERS AND SUPPORTS, REAR - FLSTC FENDERS AND SUPPORTS, REAR - FLSTF, FLSTFB AND FLSTFBS FENDERS AND SUPPORTS, REAR - FLSTN FENDERS AND SUPPORTS, REAR - FLS AND FLSS FENDERS AND SUPPORTS, REAR - FXSB HEADLAMP (1 OF 2) WINDSHIELD - FLSTC
6456	ENGINE BALANCER

68926-07	SWITCHES LOOSE PARTS
68956-07	SWITCHES
68958-07C	SWITCHES
68969-05	TURN SIGNALS, REAR (1 OF 2)
68973-00	AUXILIARY/FOG LAMPS AND TURN SIGNALS, FRONT - FLSTC, FLSTN (2 OF 2) TURN SIGNALS, FRONT - FLS, FLSS, FLSTF, FLSTFB, FLSTFBS, FXSB TURN SIGNALS, REAR (1 OF 2)
68978-00	TURN SIGNALS, REAR (1 OF 2)
69000006	HORN
69000026	HORN
69000033	HORN
69046-06A	ENGINE MOUNTS
69060-90H	HORN
69062-91A	HORN
69120-91	HORN
69123-92A	HORN
69130-10BYM	HORN
69170-08	HORN
69187-03A	TAIL LAMP - FLSTC, FLSTF, FLSTFB AND FLSTFBS
69200010	WIRING HARNESS, MAIN, NON-ABS - FLS (3 OF 5) WIRING HARNESS, MAIN, ABS - FLS AND FLSS (3 OF 5) WIRING HARNESS, MAIN, ABS - FXSB (3 OF 5)
69200011	TURN SIGNALS, REAR (2 OF 2)
69200012	WIRING HARNESS, MAIN, NON-ABS - FLS (3 OF 5) WIRING HARNESS, MAIN, ABS - FLS AND FLSS (3 OF 5) WIRING HARNESS, MAIN, ABS - FXSB (3 OF 5)
69200018	FENDERS AND SUPPORTS, REAR - FLSTC FENDERS AND SUPPORTS, REAR - FLSTN TAIL LAMP - FLSTC, FLSTF, FLSTFB AND FLSTFBS TAIL LAMP - FLSTN
69200052	ALTERNATOR AND REGULATOR
69200238	WIRING HARNESS, MAIN, NON-ABS - FLS (5 OF 5) WIRING HARNESS, MAIN, ABS - FLS AND FLSS (5 OF 5) WIRING HARNESS, MAIN, ABS - FLSTF, FLSTFB AND FLSTFBS (5 OF 5) WIRING HARNESS, MAIN, ABS - FLSTC AND FLSTN (5 OF 5) WIRING HARNESS, MAIN, ABS - FXSB (5 OF 5)
69200267A	WIRING HARNESS, MAIN, NON-ABS - FLS (3 OF 5) WIRING HARNESS, MAIN, ABS - FLS AND FLSS (3 OF 5) WIRING HARNESS, MAIN, ABS - FLSTF, FLSTFB AND FLSTFBS (3 OF 5) WIRING HARNESS, MAIN, ABS - FLSTC AND FLSTN (3 OF 5)

72226-11	<p>WIRING HARNESS, MAIN, NON-ABS - FLS (4 OF 5) WIRING HARNESS, MAIN, ABS - FLS AND FLSS (4 OF 5) WIRING HARNESS, MAIN, ABS - FLSTF, FLSTFB AND FLSTFBS (4 OF 5) WIRING HARNESS, MAIN, ABS - FLSTC AND FLSTN (4 OF 5) WIRING HARNESS, MAIN, ABS - FXSB (4 OF 5)</p>
72227-11	<p>WIRING HARNESS, MAIN, NON-ABS - FLS (4 OF 5) WIRING HARNESS, MAIN, ABS - FLS AND FLSS (4 OF 5) WIRING HARNESS, MAIN, ABS - FLSTF, FLSTFB AND FLSTFBS (4 OF 5) WIRING HARNESS, MAIN, ABS - FLSTC AND FLSTN (4 OF 5) WIRING HARNESS, MAIN, ABS - FXSB (4 OF 5)</p>
72242-94	<p>WIRING HARNESS, MAIN, NON-ABS - FLS (3 OF 5) WIRING HARNESS, MAIN, ABS - FLS AND FLSS (3 OF 5) WIRING HARNESS, MAIN, ABS - FLSTF, FLSTFB AND FLSTFBS (3 OF 5) WIRING HARNESS, MAIN, ABS - FLSTC AND FLSTN (3 OF 5) WIRING HARNESS, MAIN, ABS - FXSB (3 OF 5)</p>
72249-94	<p>HEADLAMP (2 OF 2) WIRING HARNESS, MAIN, NON-ABS - FLS (3 OF 5) WIRING HARNESS, MAIN, ABS - FLS AND FLSS (3 OF 5) WIRING HARNESS, MAIN, ABS - FLSTF, FLSTFB AND FLSTFBS (3 OF 5) WIRING HARNESS, MAIN, ABS - FLSTC AND FLSTN (3 OF 5) WIRING HARNESS, MAIN, ABS - FXSB (3 OF 5)</p>
72251-07	<p>WIRING HARNESS, MAIN, NON-ABS - FLS (1 OF 5) WIRING HARNESS, MAIN, NON-ABS - FLS (2 OF 5) WIRING HARNESS, MAIN, ABS - FLS AND FLSS (1 OF 5) WIRING HARNESS, MAIN, ABS - FLS AND FLSS (2 OF 5) WIRING HARNESS, MAIN, ABS - FLSTF, FLSTFB AND FLSTFBS (1 OF 5) WIRING HARNESS, MAIN, ABS - FLSTF, FLSTFB AND FLSTFBS (2 OF 5) WIRING HARNESS, MAIN, ABS - FLSTC AND FLSTN (1 OF 5) WIRING HARNESS, MAIN, ABS - FLSTC AND FLSTN (2 OF 5) WIRING HARNESS, MAIN, ABS - FXSB (1 OF 5) WIRING HARNESS, MAIN, ABS - FXSB (2 OF 5)</p>
72254-94	<p>WIRING HARNESS, MAIN, NON-ABS - FLS (3 OF 5) WIRING HARNESS, MAIN, ABS - FLS AND FLSS (3 OF 5) WIRING HARNESS, MAIN, ABS - FLSTF, FLSTFB AND FLSTFBS (3 OF 5) WIRING HARNESS, MAIN, ABS - FLSTC AND FLSTN (3 OF 5) WIRING HARNESS, MAIN, ABS - FXSB (3 OF 5)</p>
72256-11	<p>WIRING HARNESS, MAIN, NON-ABS - FLS (4 OF 5) WIRING HARNESS, MAIN, ABS - FLS AND FLSS (4 OF 5) WIRING HARNESS, MAIN, ABS - FLSTF, FLSTFB AND FLSTFBS (4 OF 5) WIRING HARNESS, MAIN, ABS - FLSTC AND FLSTN (4 OF 5) WIRING HARNESS, MAIN, ABS - FXSB (4 OF 5)</p>
72283-09	<p>WIRING HARNESS, MAIN, NON-ABS - FLS (2 OF 5) WIRING HARNESS, MAIN, ABS - FLS AND FLSS (2 OF 5) WIRING HARNESS, MAIN, ABS - FLSTF, FLSTFB AND FLSTFBS (2 OF 5) WIRING HARNESS, MAIN, ABS - FLSTC AND FLSTN (2 OF 5) WIRING HARNESS, MAIN, ABS - FXSB (5 OF 5) HORN</p>
72290-94	<p>AUXILIARY/FOG LAMPS AND TURN SIGNALS, FRONT - FLSTC, FLSTN (2 OF 2)</p>
72291-94	<p>WIRING HARNESS, MAIN, NON-ABS - FLS (4 OF 5) WIRING HARNESS, MAIN, ABS - FLS AND FLSS (4 OF 5) WIRING HARNESS, MAIN, ABS - FLSTF, FLSTFB AND FLSTFBS (4 OF 5) WIRING HARNESS, MAIN, ABS - FLSTC AND FLSTN (4 OF 5) WIRING HARNESS, MAIN, ABS - FXSB (4 OF 5)</p>
72295-94	<p>WIRING HARNESS, MAIN, NON-ABS - FLS (4 OF 5) WIRING HARNESS, MAIN, ABS - FLS AND FLSS (4 OF 5) WIRING HARNESS, MAIN, ABS - FLSTF, FLSTFB AND FLSTFBS (4 OF 5)</p>

74144-98	TAIL LAMP - FLSTN WIRING HARNESS, MAIN, NON-ABS - FLS (3 OF 5) WIRING HARNESS, MAIN, ABS - FLS AND FLSS (3 OF 5) WIRING HARNESS, MAIN, ABS - FXSB (3 OF 5)
74152-98	TURN SIGNALS, REAR (2 OF 2) WIRING HARNESS, MAIN, NON-ABS - FLS (5 OF 5) WIRING HARNESS, MAIN, ABS - FLS AND FLSS (5 OF 5) WIRING HARNESS, MAIN, ABS - FLSTF, FLSTFB AND FLSTFBS (5 OF 5) WIRING HARNESS, MAIN, ABS - FLSTC AND FLSTN (5 OF 5) WIRING HARNESS, MAIN, ABS - FXSB (5 OF 5)
74153-98	LICENSE PLATE BRACKETS - FLS AND FLSS LICENSE PLATE BRACKETS - FXSB
74154-98	TURN SIGNALS, REAR (2 OF 2) TAIL LAMP - FLSTN
74190-98	TAIL LAMP - FLSTN WIRING HARNESS, MAIN, NON-ABS - FLS (3 OF 5) WIRING HARNESS, MAIN, ABS - FLS AND FLSS (3 OF 5) WIRING HARNESS, MAIN, ABS - FXSB (3 OF 5)
74191-98	LICENSE PLATE BRACKETS - FLS AND FLSS LICENSE PLATE BRACKETS - FXSB TURN SIGNALS, REAR (2 OF 2) TAIL LAMP - FLSTN WIRING HARNESS, MAIN, NON-ABS - FLS (5 OF 5) WIRING HARNESS, MAIN, ABS - FLS AND FLSS (5 OF 5) WIRING HARNESS, MAIN, ABS - FLSTF, FLSTFB AND FLSTFBS (5 OF 5) WIRING HARNESS, MAIN, ABS - FLSTC AND FLSTN (5 OF 5) WIRING HARNESS, MAIN, ABS - FXSB (5 OF 5)
74194-98	SENSORS AND SWITCHES, ENGINE - TWIN CAM 103™ SENSORS AND SWITCHES, ENGINE - TWIN CAM 110™
74195-98	LICENSE PLATE BRACKETS - FLS AND FLSS LICENSE PLATE BRACKETS - FXSB TURN SIGNALS, REAR (2 OF 2) TAIL LAMP - FLSTN
74196-04	INSTRUMENTS - FLSTF, FLSTFB, FLSTFBS AND FLSTN INSTRUMENTS - FLS, FLSS AND FLSTC INSTRUMENTS - FXSB
74197-04	INSTRUMENTS - FLSTF, FLSTFB, FLSTFBS AND FLSTN INSTRUMENTS - FLS, FLSS AND FLSTC INSTRUMENTS - FXSB
7434	FENDERS AND SUPPORTS, REAR - FLSTC FENDERS AND SUPPORTS, REAR - FLSTF, FLSTFB AND FLSTFBS FENDERS AND SUPPORTS, REAR - FLSTN FENDERS AND SUPPORTS, REAR - FXSB
74402-05B	TRANSMISSION HOUSING - FXSB, FLSTC, FLSTF, FLSTN, FLSTFB AND FLS TRANSMISSION HOUSING - FLSS AND FLSTFBS
74540-11	ALTERNATOR AND REGULATOR
7479	FORK, REAR AND SHOCK ABSORBERS
7495	HORN
75141-11A	FUEL PUMP
75241-08	FUEL PUMP

		FLSS FLSTFBS
25700226	GASKET KIT	PRIMARY HOUSING: All Models
26995-86B	SEAL	INDUCTION MODULE, FUEL: All Models
27444-00Y	O-RING	STARTER MOTOR: All Models
3050	SCREW	ALTERNATOR AND REGULATOR: All Models
3109	SCREW	BELT, CHAINS AND SPROCKETS: All Models WHEELS, REAR (1 OF 2): All Models
3275	SCREW	INDUCTION MODULE, FUEL: All Models SHIFTER, GEAR: All Models
34091-08	BEARING	TRANSMISSION GEARS: All Models
34917-06	GASKET	<i>TRANSMISSION HOUSING - FXSB, FLSTC, FLSTF, FLSTN, FLSTFB AND FLS:</i> FXSB FLSTC FLSTF FLSTN FLSTFB FLS <i>TRANSMISSION HOUSING - FLSS AND FLSTFBS:</i> FLSS FLSTFBS
34934-06	GASKET	<i>PRIMARY HOUSING:</i> FXSB FLSTC FLSTF FLSTN FLSTFB FLS
35654-06	GASKET	<i>TRANSMISSION HOUSING - FXSB, FLSTC, FLSTF, FLSTN, FLSTFB AND FLS:</i> FXSB FLSTC FLSTF FLSTN FLSTFB FLS <i>TRANSMISSION HOUSING - FLSS AND FLSTFBS:</i> FLSS FLSTFBS
3655A	SCREW	BRAKE CONTROL, REAR: All Models WHEELS, FRONT (1 OF 2): All Models
3656	SCREW	<i>INSTRUMENTS - FXSB:</i> FXSB
3658	SCREW	SWITCHES, HANDLEBAR LEFT, FRONT: All Models SWITCHES, HANDLEBAR RIGHT, FRONT: All Models
36805-06	GASKET	<i>TRANSMISSION HOUSING - FXSB, FLSTC, FLSTF, FLSTN, FLSTFB AND FLS:</i> FXSB FLSTC FLSTF FLSTN

CLICK HERE TO **DOWNLOAD** THE COMPLETE MANUAL

- Thank you very much for reading the preview of the manual.
- You can download the complete manual from: www.heydownloads.com by clicking the link below



- Please note: If there is no response to CLICKING the link, please download this PDF first and then click on it.

CLICK HERE TO **DOWNLOAD** THE COMPLETE MANUAL