

Spare parts catalogue MONSTER 620 i.e. U.S.A.

DUCATI *MONSTER*



CLICK HERE TO **DOWNLOAD** THE COMPLETE MANUAL

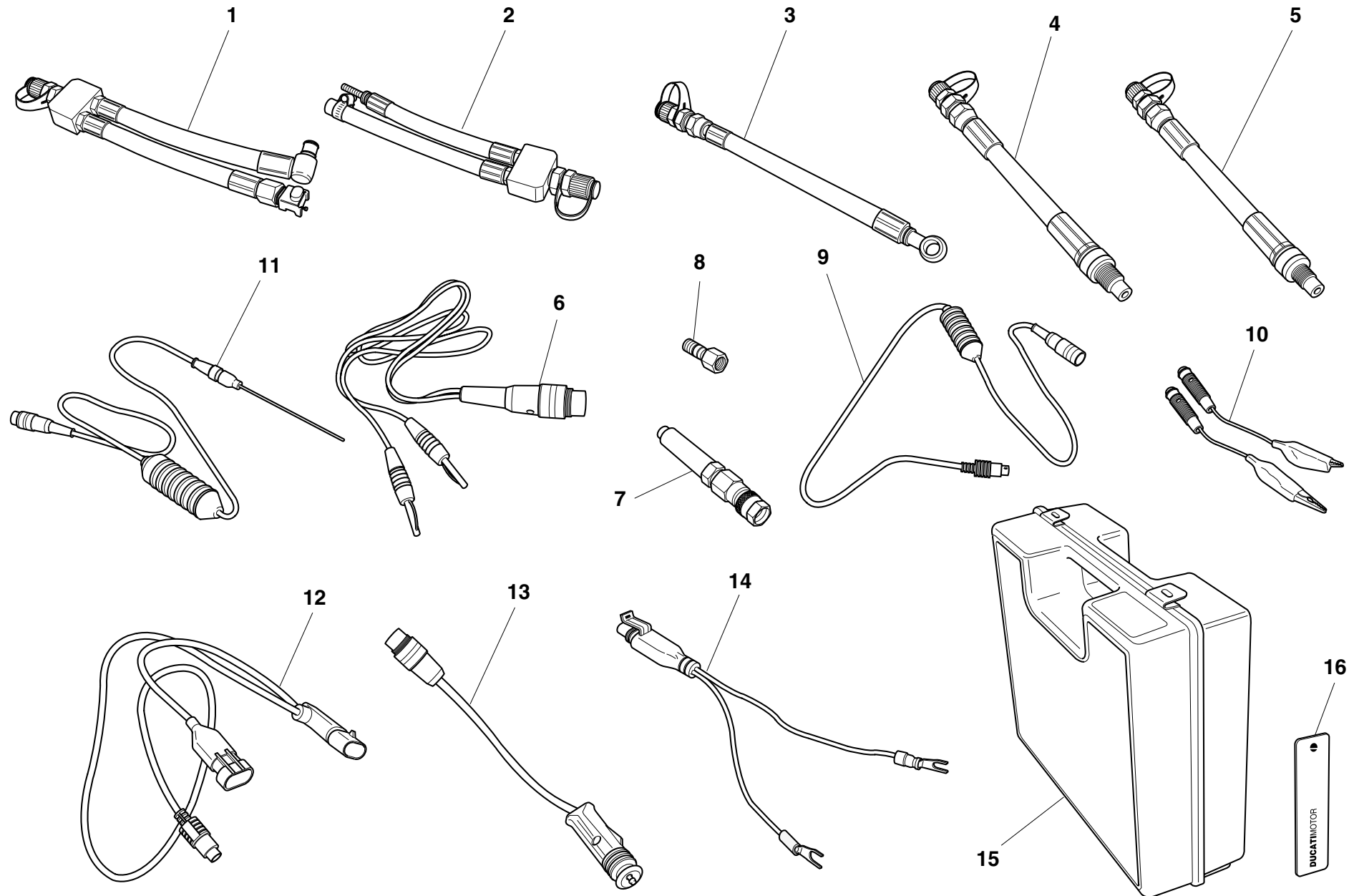
- Thank you very much for reading the preview of the manual.
- You can download the complete manual from: www.heydownloads.com by clicking the link below



- Please note: If there is no response to CLICKING the link, please download this PDF first and then click on it.

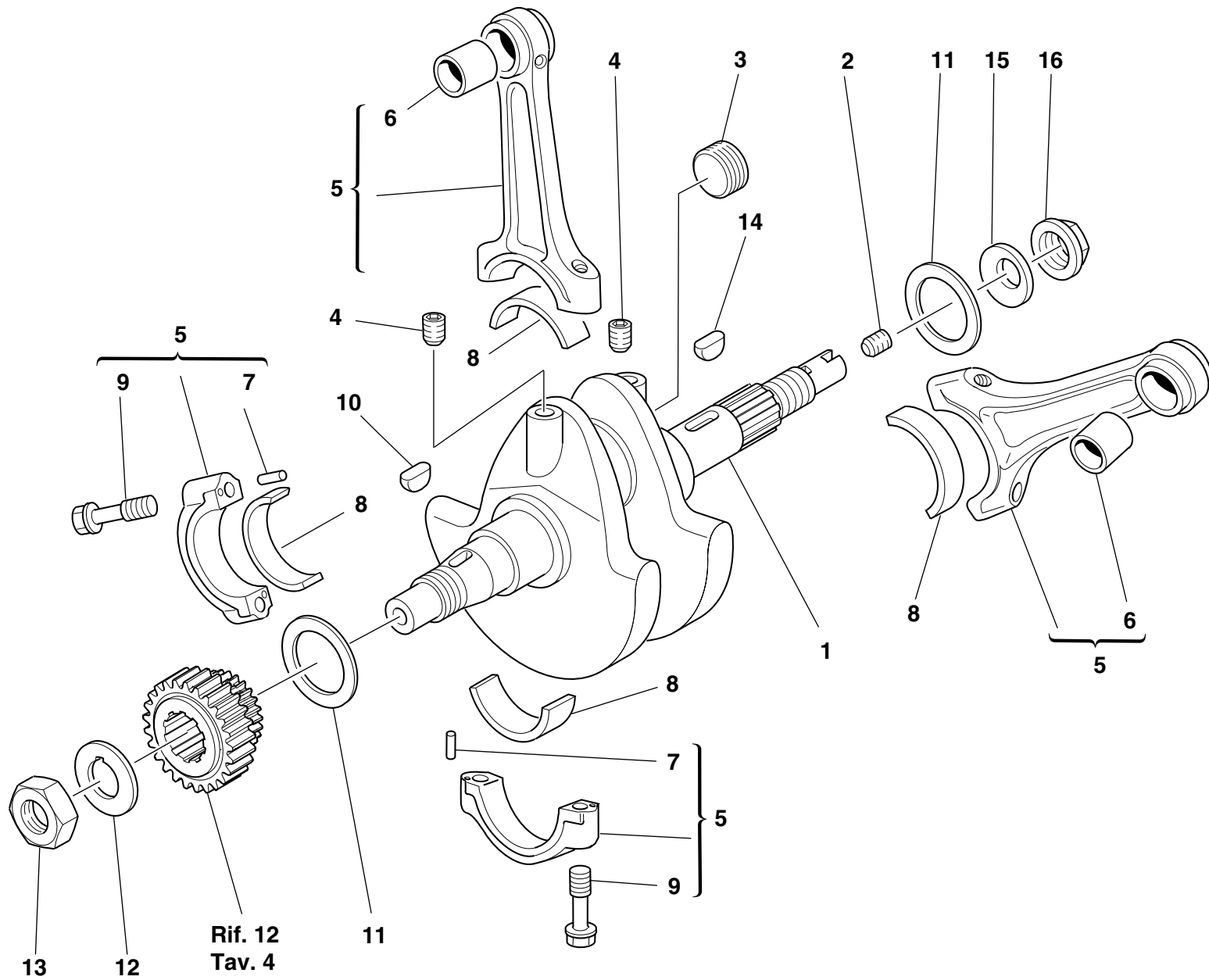
CLICK HERE TO **DOWNLOAD** THE COMPLETE MANUAL

DRAWING **001.3** WORKSHOP SPECIAL TOOLS



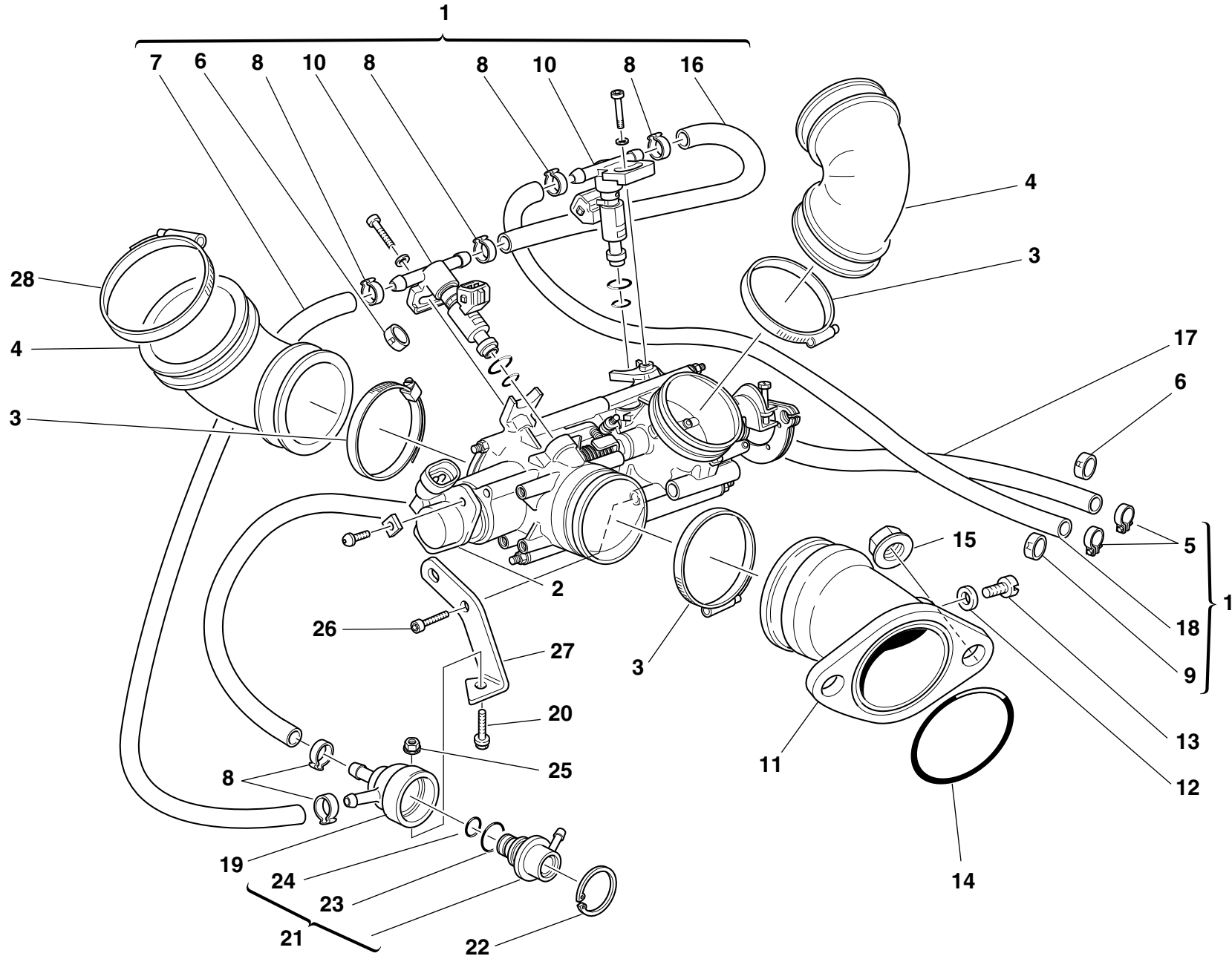
DRAWING 006

CRANKSHAFT

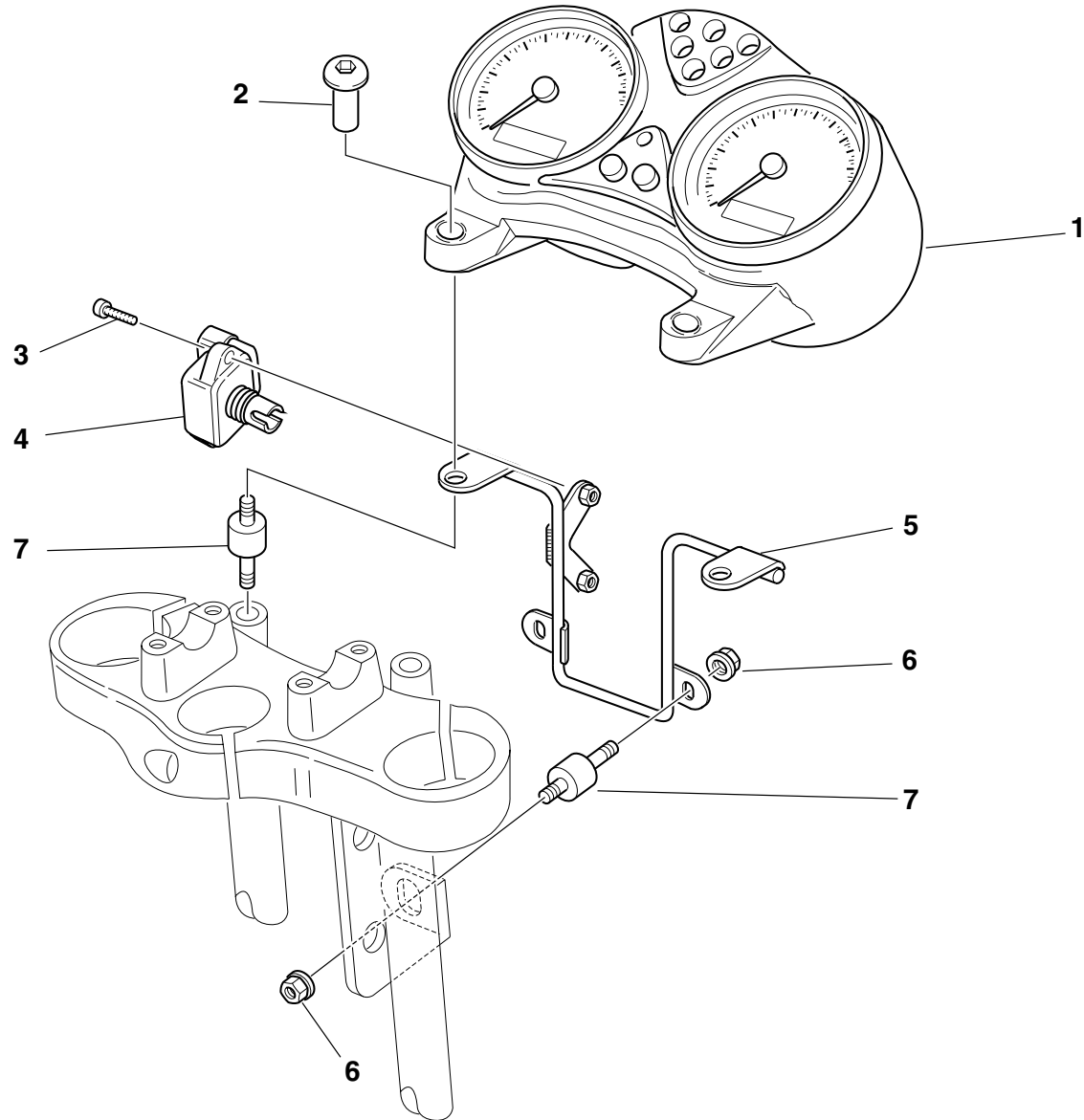


DRAWING 016

INLET DICT

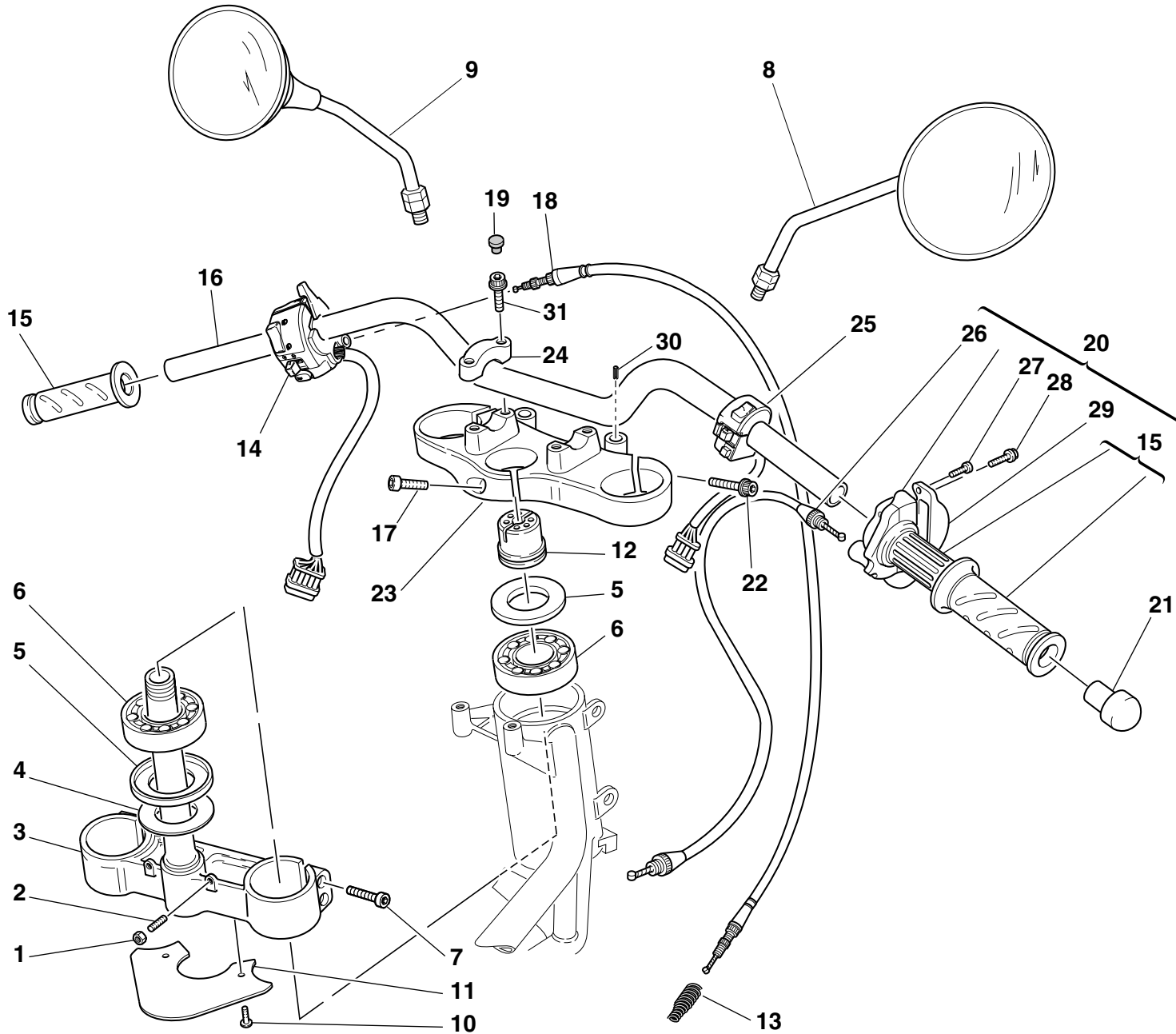


DRAWING **021** INSTRUMENT PANEL

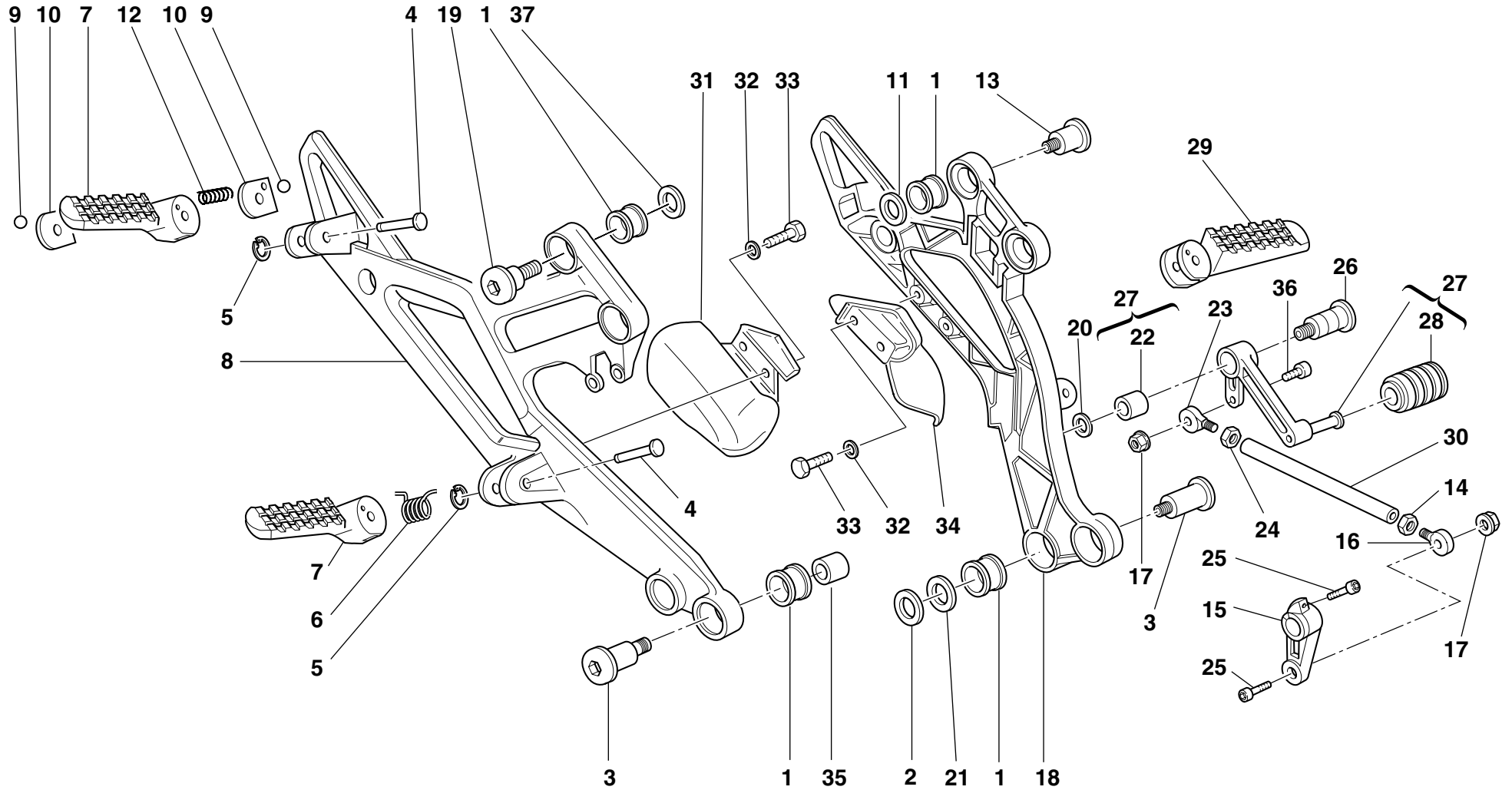


DRAWING 026

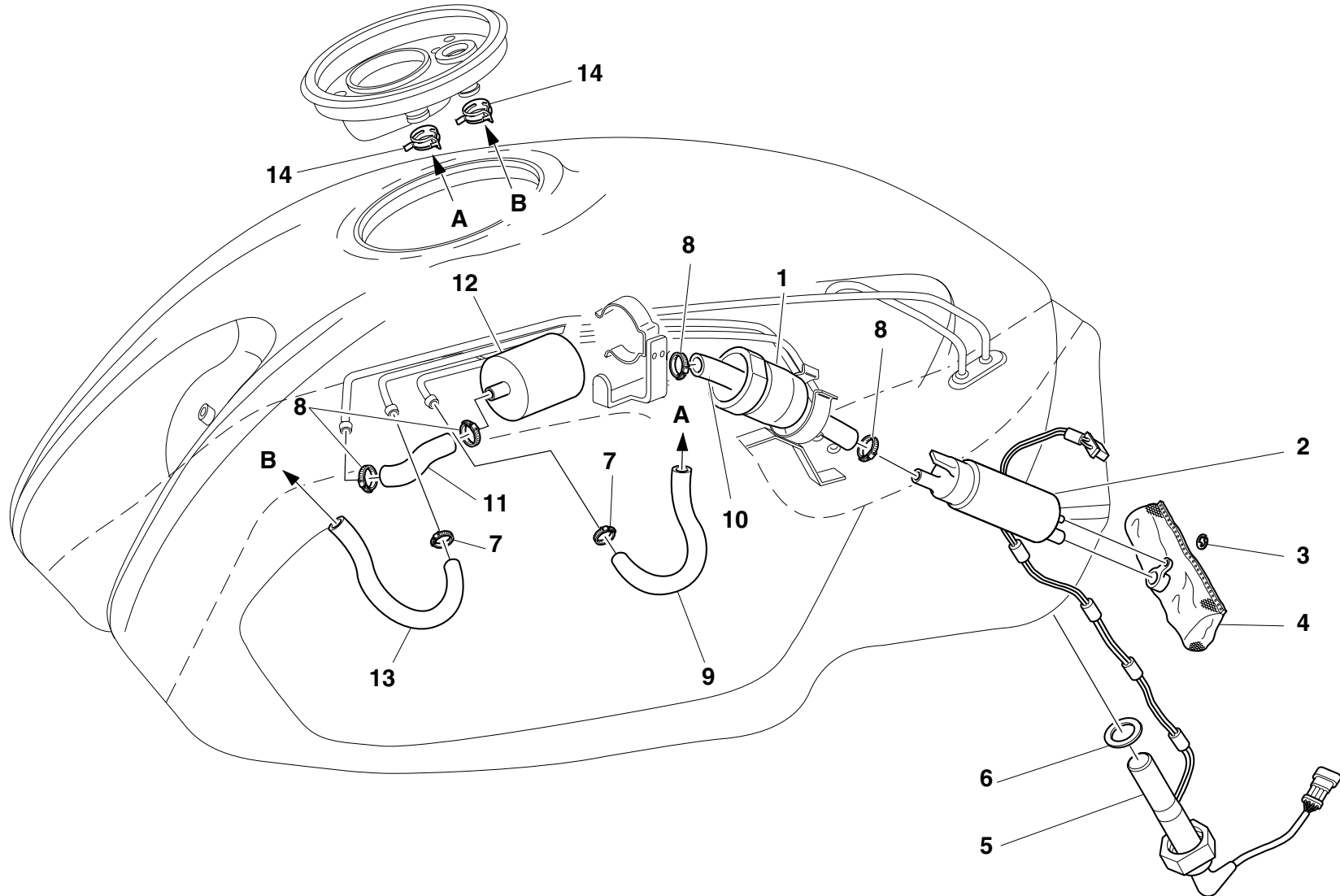
HANDLEBAR AND CONTROLS



DRAWING 031 GEARCHANGE LEVER - FOOT REST



DRAWING 036 FUEL SYSTEM



CLICK HERE TO **DOWNLOAD** THE COMPLETE MANUAL

- Thank you very much for reading the preview of the manual.
- You can download the complete manual from: www.heydownloads.com by clicking the link below



- Please note: If there is no response to CLICKING the link, please download this PDF first and then click on it.

CLICK HERE TO **DOWNLOAD** THE COMPLETE MANUAL