

# Agroplus 60

## ACCESSORIES

### GENERAL

4-WAY AUXILIARY DISTRIBUTOR.....	0E.00.1
4-WAY AUXILIARY DISTRIBUTOR.....	0E.00.2
4-WAY AUXILIARY DISTRIBUTOR.....	0E.00.3
4-WAY AUXILIARY DISTRIBUTOR WITH MECHANICAL LIFT.....	0E.00.4
4-WAY AUXILIARY DISTRIBUTOR WITH ELECTRONIC LIFT.....	0E.00.5
CONTROLS FOR 4-WAY AUXILIARY SERVICES CONTROL VALVE.....	0E.00.6
6-WAY DISTRIBUTOR EQUIPMENT.....	0E.00.7
6-WAY DISTRIBUTOR EQUIPMENT.....	0E.00.8
6-WAY DISTRIBUTOR EQUIPMENT.....	0E.00.9
CONTROLS FOR 6-WAY AUXILIARY SERVICES CONTROL VALVE.....	0E.00.10
4 - 6 - WAY DISTRIBUTOR EQUIPMENT.....	0E.00.11
4 - 6 - WAY DISTRIBUTOR EQUIPMENT.....	0E.00.12
OIL REGULATOR CONTROL.....	0E.00.13
PILOTED CHECK VALVE.....	0E.00.14
3 POINT HITCH.....	0E.00.15
3-POINT LINKAGE WITH AUTOMATIC COUPLERS.....	0E.00.16
3-POINT LINKAGE WITH AUTOMATIC COUPLERS.....	0E.00.17
3-POINT LINKAGE WITH FIXED LIFT RODS.....	0E.00.18
3-POINT LINKAGE WITH FLOATING LIFT RODS.....	0E.00.19
TOWING BAR.....	0E.00.20
FRONT TOWING HITCH.....	0E.00.21
FRONT TOWING HITCH.....	0E.00.22
PIN FOR REAR TOW HOOK.....	0E.00.23
REAR TOWING HITCH.....	0E.00.24
REAR TOWING HITCH - CATEGORY "D".....	0E.00.25
REAR TOWING HITCH - CATEGORY "D2".....	0E.00.26
REAR TOWING HITCH CAT: "D" GRASSI.....	0E.00.27
REAR TOWING HITCH CAT: "D2" GRASSI.....	0E.00.28
REAR TOWING HITCH (GRASSI) CAT. " C ".....	0E.00.29
REAR TOWING HITCH - EXPORT CH.....	0E.00.30
REAR TOWING HITCH CRAMER.....	0E.00.31
REAR TOWING HITCH.....	0E.00.32
REAR TOWING HITCH.....	0E.00.33
DRAWBAR COUPLING CAT. " D ".....	0E.00.34
REAR OSCILLATING HITCH.....	0E.00.35
REAR OSCILLATING HITCH.....	0E.00.36
REAR OSCILLATING HITCH.....	0E.00.37
PICK-UP-HITCH.....	0E.00.38
FRONT BALLAST KG. 250.....	0E.00.39
BALLAST LOCK BAR.....	0E.00.40

CLICK HERE TO **DOWNLOAD** THE COMPLETE MANUAL

- Thank you very much for reading the preview of the manual.
- You can download the complete manual from: [www.heydownloads.com](http://www.heydownloads.com) by clicking the link below



- Please note: If there is no response to CLICKING the link, please download this PDF first and then click on it.

CLICK HERE TO **DOWNLOAD** THE COMPLETE MANUAL

Section: ACCESSORIES

**6-WAY DISTRIBUTOR EQUIPMENT**

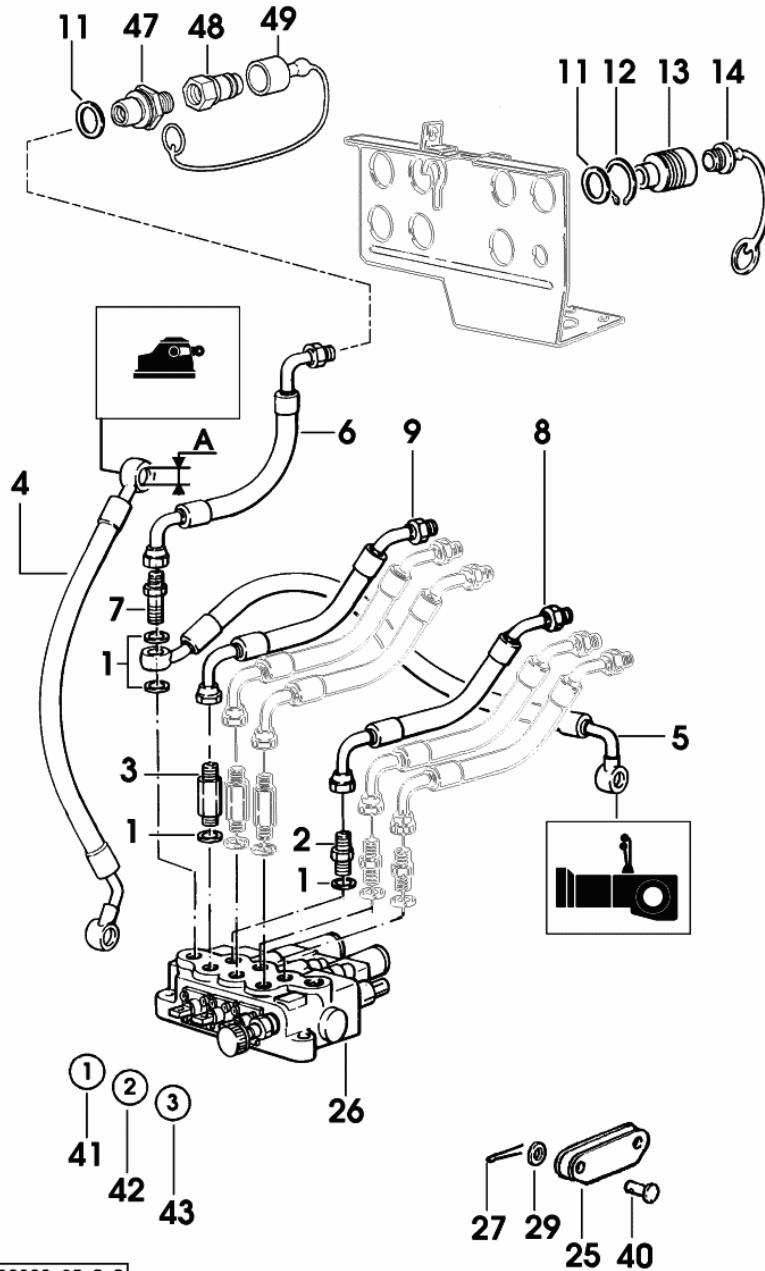


Fig.	Code	QTY	Name
------	------	-----	------

Notes:

-> (...) - (...) <- X Agroplus 60 -> (...) - (...) <- X Agroplus 70 (...) <- X Agroplus 80

1	2.1560.014.0	4	gasket 18.2 x 24 x 1.5
2	2.3261.009.2	1	pipe fitting m 18 p.1.5-3/4"
3	2.3339.346.2	1	pipe fitting m 18 p.1.5-3/4"
4	0.011.7219.3	1	tube
5	0.010.0369.3	1	tube
6	0.010.0370.3	1	tube
7	2.3339.430.2	1	pipe fitting 3/4"-16jic - m 18x1.5
8	0.009.7417.3/10	1	tube mm 305
9	0.009.7418.3/10	1	tube mm 360
11	2.1560.054.0	4	gasket 21 x 26
12	2.1410.015.7	5	circlip 38
13	0.98309.50.3/10	2	coupling
			COMPONENT PARTS SEE COMPONENTS LIST
			☞ 0.98309.50.3/10
			☞ 0E.00.97
14	0.013.7997.0	2	plug
25	0.007.7761.0/10	3	rod
26	2.3719.740.0/20	1	distributor
			COMPONENT PARTS SEE COMPONENTS LIST
			☞ 2.3719.740.0/20
			☞ 0E.00.100
27	2.1690.206.2	6	split pin 2x16
29	2.1599.564.2	6	washer 9.5x17x1.6
40	2.1699.245.2/10	6	pin 9x24.5
41	2.9929.412.0	1	plate 1
42	2.9929.413.0	1	plate 2
43	2.9929.414.0	1	plate 3
47	2.3339.789.2	1	pipe fitting
48	0.98309.51.3/10	1	coupling 1/2
49	0.009.3149.0	1	plug

9\_18388\_25\_0\_0

**3-POINT LINKAGE WITH AUTOMATIC COUPLERS**

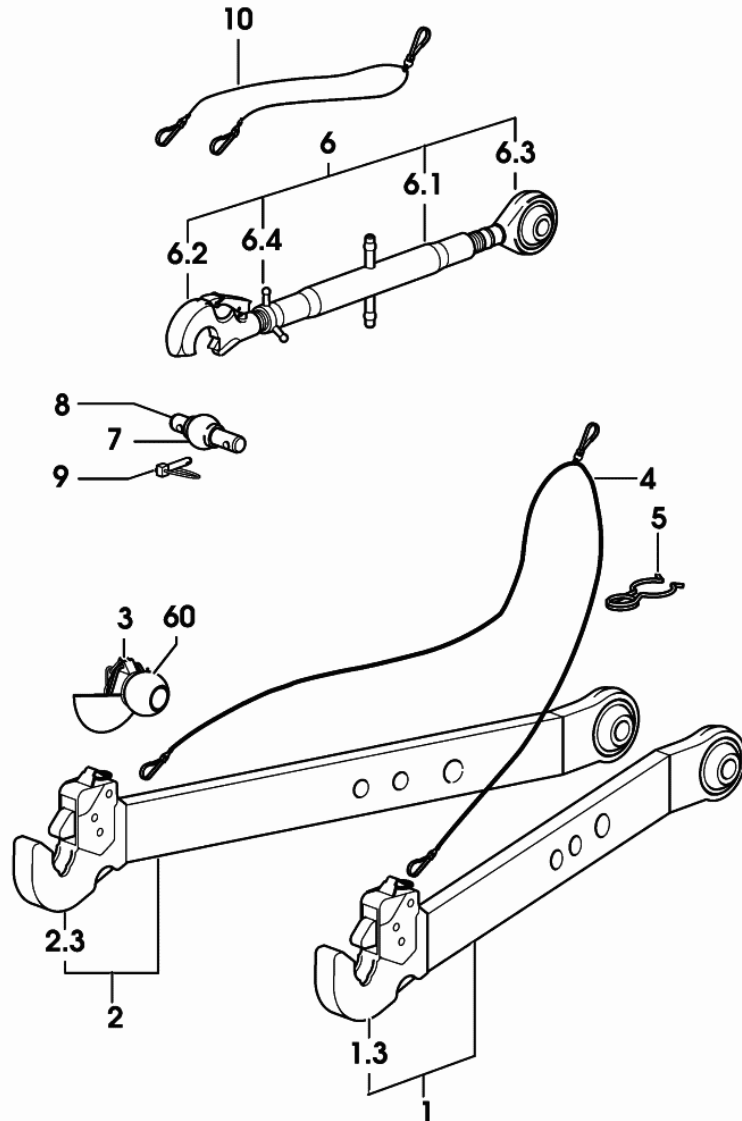


Fig.	Code	QTY	Name
------	------	-----	------

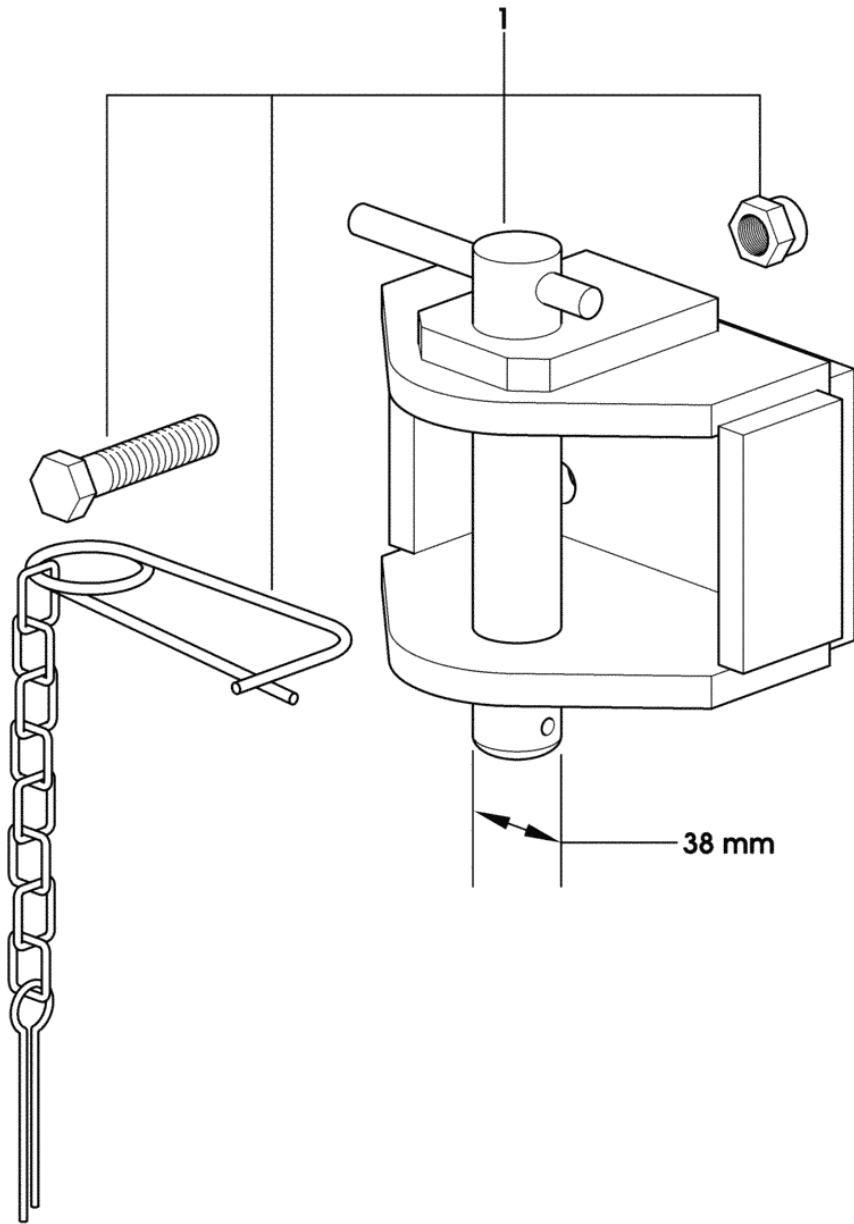
**Notes:**

-> 1001 X Agroplus 60 -> 2697 X Agroplus 70 X Agroplus 80

1	0.009.7139.3/20	1	right hand arm dx/rh/re
1.3	0.010.1702.3	1	automatic hook 2 cat.- WALTERSCHEID COMPONENT PARTS SEE COMPONENTS LIST ☞ 0.010.1702.3 ☞ 0E.00.101
2	0.009.7142.3/20	1	left hand arm sx/lh/li
2.3	0.010.1702.3	1	automatic hook 2 cat.- WALTERSCHEID COMPONENT PARTS SEE COMPONENTS LIST ☞ 0.010.1702.3 ☞ 0E.00.101
3	0.760.5951.3	2	pin 2 cat.
4	0.760.2258.3	1	cable
5	0.760.2262.0	2	spring
6	0.011.3987.4	1	3 point hitch
6.1	0.011.3987.3	1	sleeve
6.2	0.011.3988.3	1	rod 2 cat.- WALTERSCHEID COMPONENT PARTS SEE COMPONENTS LIST ☞ 0.011.3988.3 ☞ 0E.00.102
6.3	0.760.3515.3	1	rod sx/lh/li
6.4	0.96014.57.0	1	wing nut m 27 p.3
7	0.96001.17.0	1	cap Ø 50
8	2.1669.024.2	1	pin 25.4 x 133
9	0.010.9322.4	2	pin Ø 11
10	0.009.3534.0	1	cable
60	0.760.5952.0	2	cap Ø 56

**REAR TOWING HITCH CAT: "D" GRASSI**

Fig.	Code	QTY	Name
1	0.011.3193.4/10	1	tow hook GRASSI CAT. " D " COMPONENT PARTS SEE COMPONENTS LIST
	☞ 0.011.3193.4/10		
	☞ 0E.00.106		



9\_64831\_71\_0\_0

Section: ACCESSORIES  
**REAR OSCILLATING HITCH**

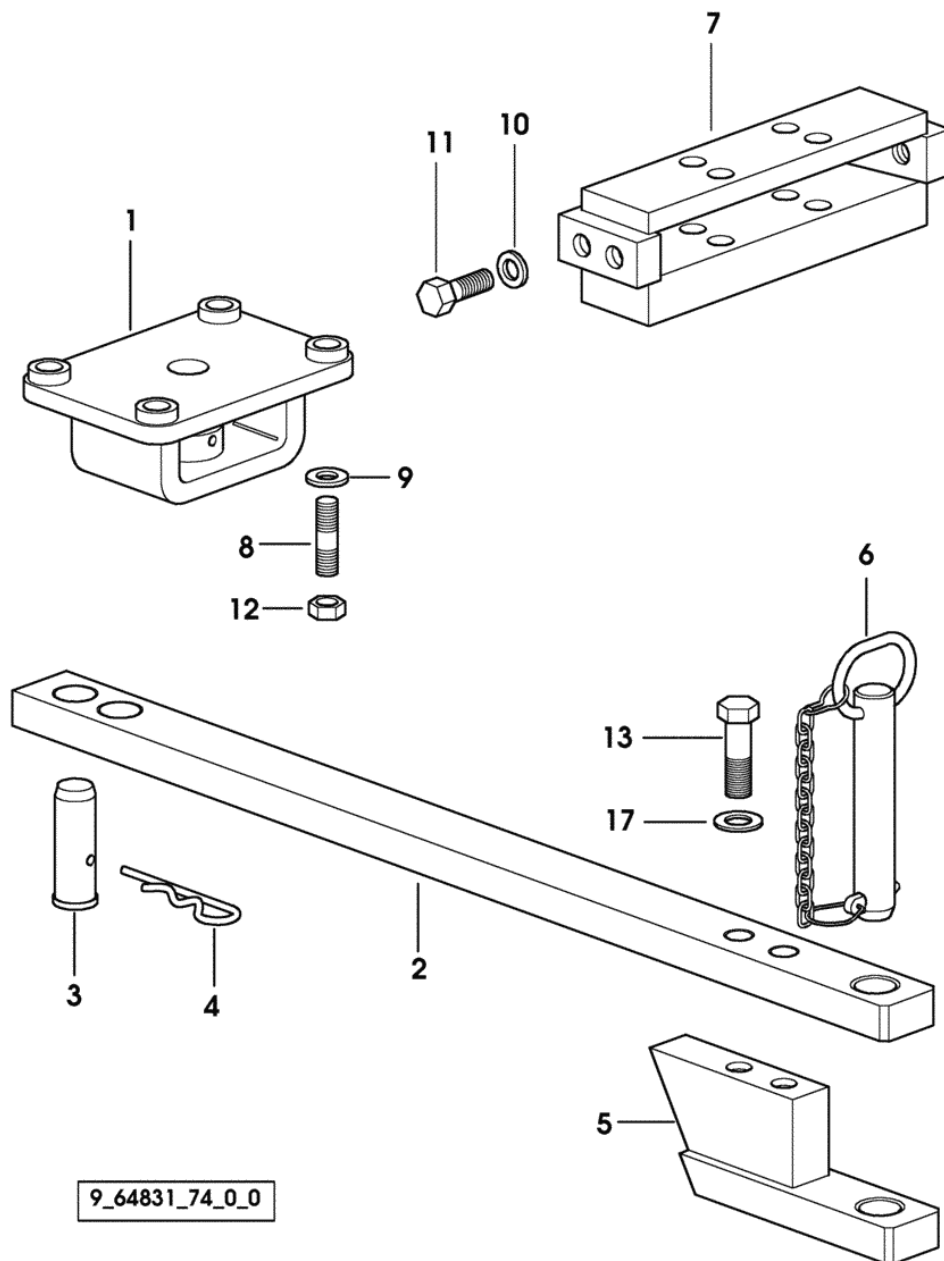


Fig.	Code	QTY	Name
1	0.009.8941.2/10	1	support
2	0.009.8942.0/10	1	draw bar mm 973
3	0.009.8943.0	1	pin
4	2.1699.072.2	1	pin
5	0.008.0784.3	1	plate
6	0.97306.30.3	1	pin
7	0.011.2262.2	1	support
8	2.0432.411.7	4	stud bolt m 16 p.2-1.5x40
9	2.1499.019.6	4	washer 16.3 x 31.5
10	2.1499.019.6	4	washer 16.3 x 31.5
11	2.0112.615.2	4	screw m 16 p.2 x 40
12	2.1011.409.2	4	nut m 16 p.1.5
13	2.0122.822.2	2	screw m 20 p.1.5x65
17	2.1475.108.2	2	spring washer 20

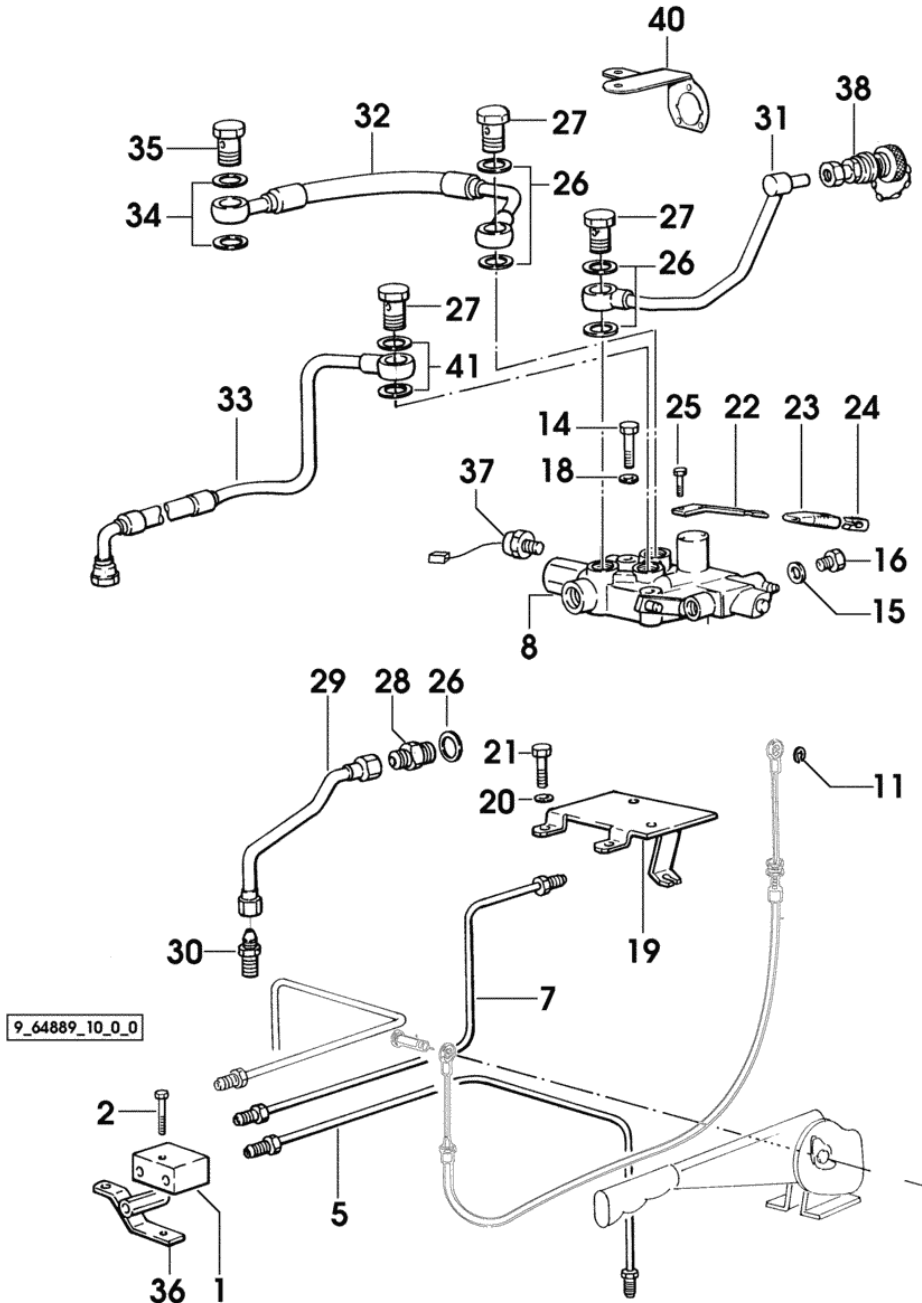
**HYDRAULIC BREAKING FOR TRAILER - ITALY -**

Fig.	Code	QTY	Name
------	------	-----	------

**Notes:**

1527 <- X Agroplus 60    4396 <- X Agroplus 70    1775 <- X Agroplus 80

1	0.007.6244.4/10	1	valve
2	2.0112.015.2	1	screw m 6 p.1x40
5	0.010.0293.3	1	tube sx/lh/li
7	0.007.7355.3/10	1	tube
8	2.3719.810.0/10	1	valve
			COMPONENT PARTS SEE COMPONENTS LIST
			☞ 2.3719.810.0/10
			☞ 0E.00.113
11	2.1430.007.7	1	circlip 6, d128
14	2.0112.219.2	2	screw m 8 p.1.25x50
15	2.1560.008.0	1	gasket 12.2 x 18
16	2.3110.422.1	1	plug m 12 p.1.25 x 10
18	2.1470.004.2	2	washer 8
19	0.007.7993.2	1	support
20	2.1470.007.2	2	lock washer 12
21	2.0112.405.2	2	screw m 12 p.1.75x16
22	0.010.0469.0	1	lever
23	0.007.5561.0	1	knob
24	0.007.5562.0	1	coupling
25	2.0112.005.2	2	screw m 6 p.1 x 16
26	2.1560.017.0	5	gasket 22.2 x 27
27	2.3335.009.2	3	pipe union m 22 p.1.5 x 39
28	2.3339.223.2	1	pipe fitting m 22 p.1.5 / 3/4" - 16 JIC
29	0.010.0421.3/10	1	tube
30	2.3339.430.2	1	pipe fitting 3/4"-16jic - m 18x1.5
31	0.010.0418.3/30	1	tube
32	0.010.0419.3	1	tube
33	0.010.0420.3	1	tube
34	2.1560.014.0	2	gasket 18.2 x 24 x 1.5
35	2.3335.008.2	1	pipe union m 18 p.1.5 x 32
36	0.010.0303.3	1	bracket
37	2.7099.430.0	1	pressure switch
			1259 <- X Agroplus 60
			3634 <- X Agroplus 70
			1090 <- X Agroplus 80
37	2.7099.960.0	1	pressure switch 11 Bar
			-> 1260 X Agroplus 60
			-> 3635 X Agroplus 70
			-> 1091 X Agroplus 80
38	0.97112.68.4	1	coupling



9\_64889\_10\_0\_0

Section: BODY WORK  
HOOD

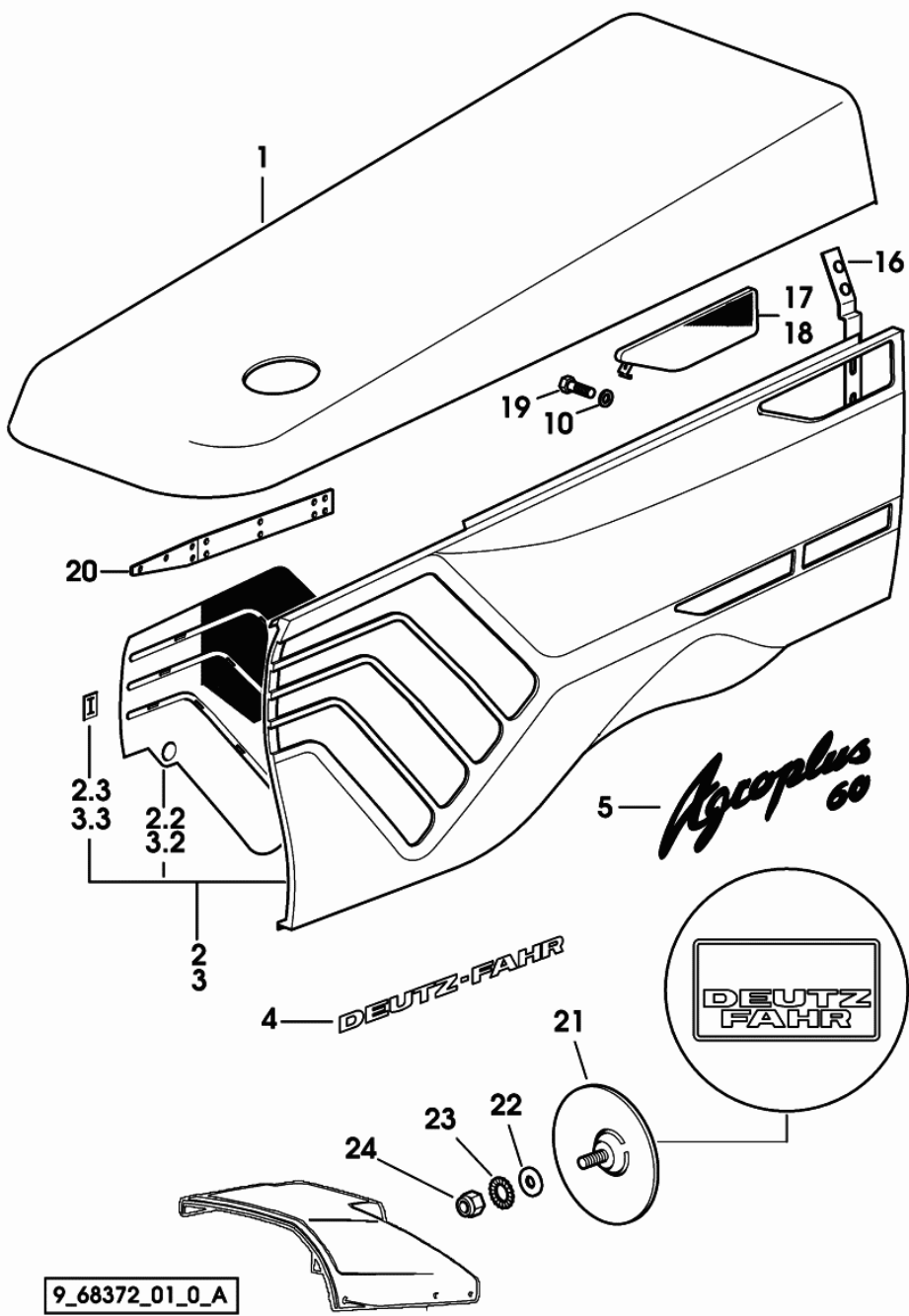
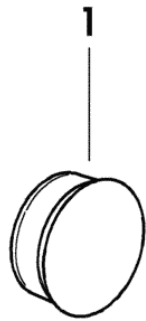


Fig.	Code	QTY	Name
1	0.010.5281.4	1	bonnet
2	0.012.9441.4	1	lift hand side panel sx/lh/li
2.2	0.010.5290.0	1	grille sx/lh/li
2.3	0.012.1492.0	9	small spring
3	0.012.9439.4	1	right h.side panel dx/rh/re
3.2	0.010.5291.0	1	grille dx/rh/re
3.3	0.012.1492.0	9	small spring
4	0.010.4265.0	1	plate DEUTZ-FAHR
5	0.010.6405.0	2	plate
10	2.1312.001.2	7	washer 4
16	0.010.7123.2/10	2	bracket
17	0.010.7023.2	1	grille sx/lh/li
18	0.010.7024.2	1	grille dx/rh/re
19	2.0350.255.3	2	screw m 3.5 x 16 -AB- -> (...) X Agroplus 60
20	0.010.7287.0	1	bracket -> (...) X Agroplus 60
21	2.3199.281.0	2	cover Deutz Fahr -> 1364 X Agroplus 60
22	2.1312.002.2	2	washer 5 -> 1364 X Agroplus 60
23	2.1470.002.2	2	washer 6, d128 -> 1364 X Agroplus 60
24	2.1011.103.2	2	nut m 6 p.1 -> 1364 X Agroplus 60

**PLUG FOR VERSION WITHOUT CIGAR LIGHTER**

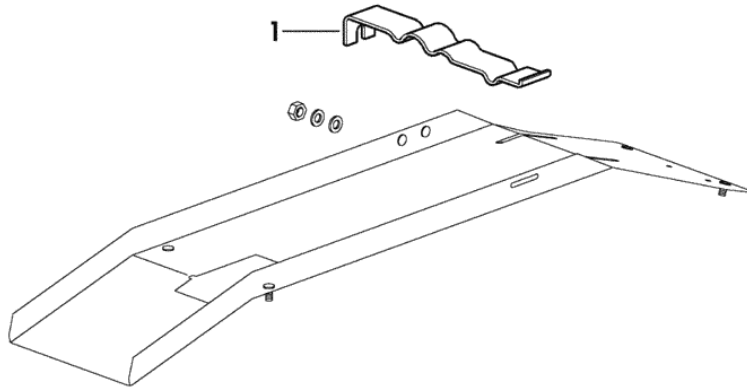
Fig.	Code	QTY	Name
1	0.011.6915.0	1	plug 27.8-28.6/30.9



9\_70574\_03\_0\_0

Section: BODY WORK  
**PIPE MOUNTING BRACKET**

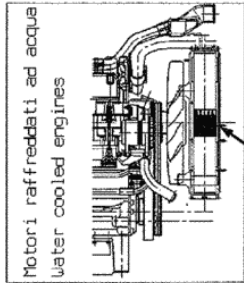
Fig.	Code	QTY	Name
1	0.010.0225.0	2	bracket



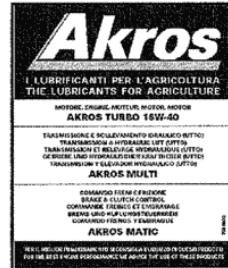
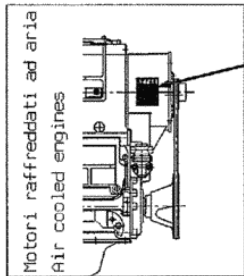
Section: BODY WORK  
**PLATES**

Fig.	Code	QTY	Name
100	0.000.0000.1	0	not serviceable
100.4	2.9929.869.0	1	plate AKROS MULTI
100.6	2.9929.684.0	1	plate

100



Schema montaggio  
 Assembly scheme



100.4

BRAKES OIL  
 USE ATF DEXRON II  
 OIL ONLY

OLIO FRENI  
 USARE SOLO OLIO  
 TIPO ATF DEXRON II

100.6

9\_64899\_03\_0\_A

**FENDERS - FOR TYPES WITH MECHANICAL LIFTER**

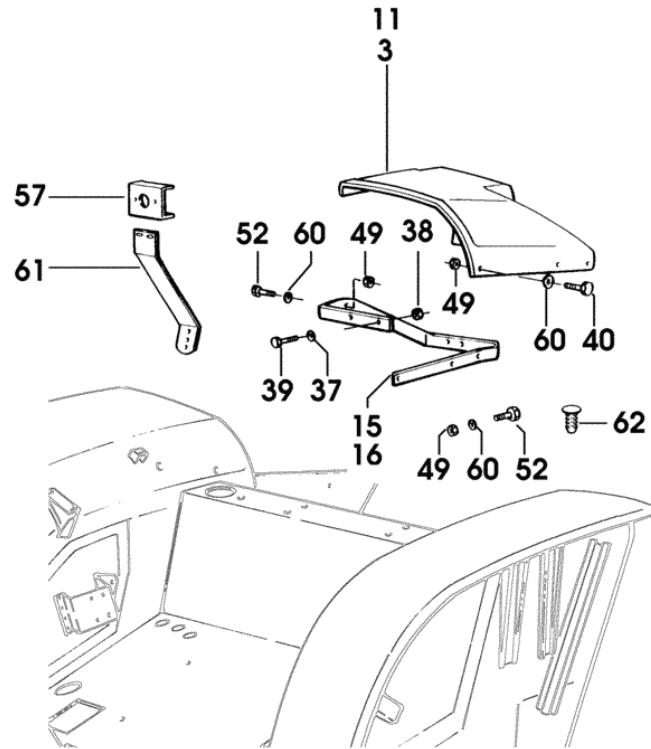
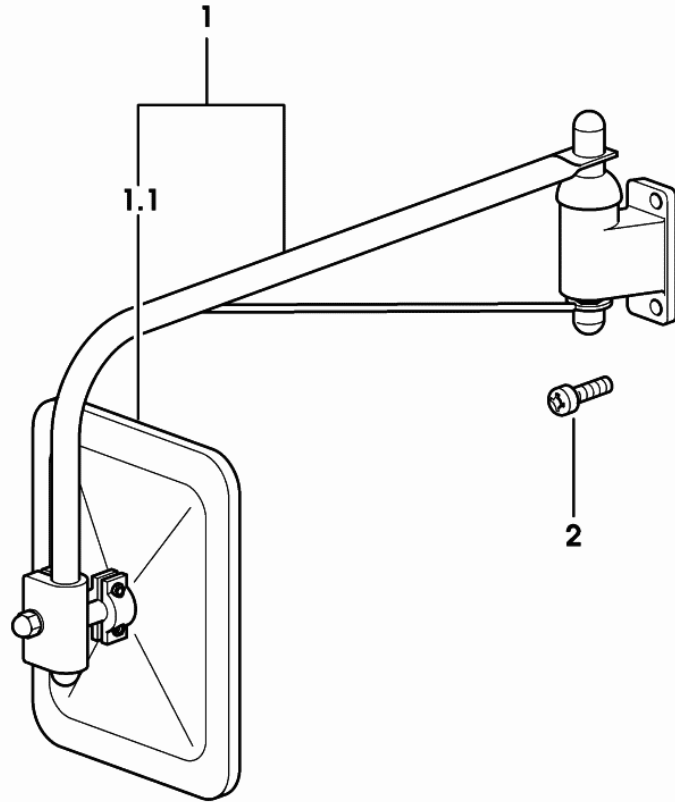


Fig.	Code	QTY	Name
3	0.011.7168.0	1	splash-guards dx/rh/re
11	0.007.5603.0/70	1	splash-guards sx/lh/li
15	0.007.5611.2/20	1	support dx/rh/re
16	0.007.5612.2/20	1	support sx/lh/li
37	2.1310.004.2	4	flat washer 8.5
38	2.1011.105.2	4	nut m 8 p.1.25
39	2.0112.207.2	4	screw m 8 p 1.25 x 20
40	2.0099.014.0/20	11	screw m 6 x 25
49	2.1011.103.2	20	nut m 6 p.1
52	2.0112.009.2	20	screw m 6 p.1 x 25
57	0.007.5813.0/10	2	support
60	2.1310.002.2	26	washer 6.6, d125
61	0.009.6743.0	2	support
62	2.1899.084.0	8	button 8 x 19

Section: BODY WORK

**REARVIEW MIRROR - FOR TYPES WITH SAFETY FRAME dx/rh/re**

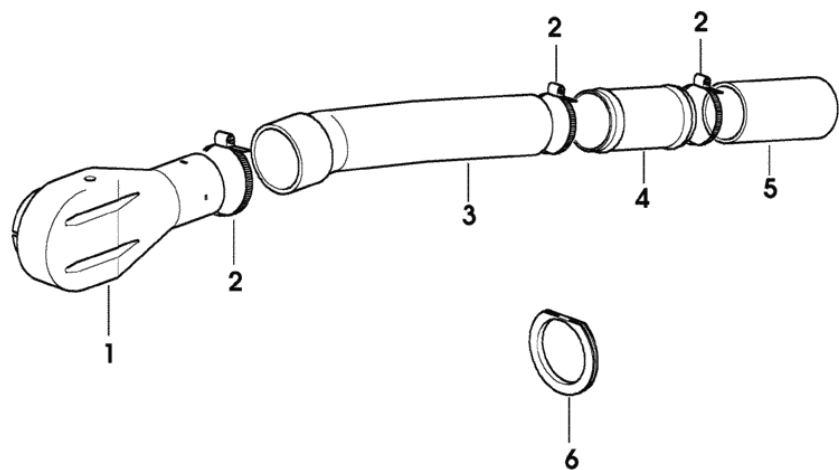
Fig.	Code	QTY	Name
1	0.007.6100.4/10	1	rear view mirror dx/rh/re COMPONENT PARTS SEE COMPONENTS LIST ☞ 0.007.6100.4/10 ☞ 07.00.41
1.1	0.9233.183.3	1	rear view mirror
2	2.0362.307.3	2	screw m 8 p.1.25 x 20



9\_62076\_66\_0\_0

Section: BODY WORK  
**AIR CLEANER HOSE**

Fig.	Code	QTY	Name
1	0.009.3699.3/10	1	sleeve
2	2.6851.008.0	4	clamp Ø 70/90
3	0.010.5244.0/10	1	sleeve
4	0.010.6820.0/10	1	spacer
5	0.010.6821.0	1	sleeve
6	0.010.7664.0	1	pipe fitting

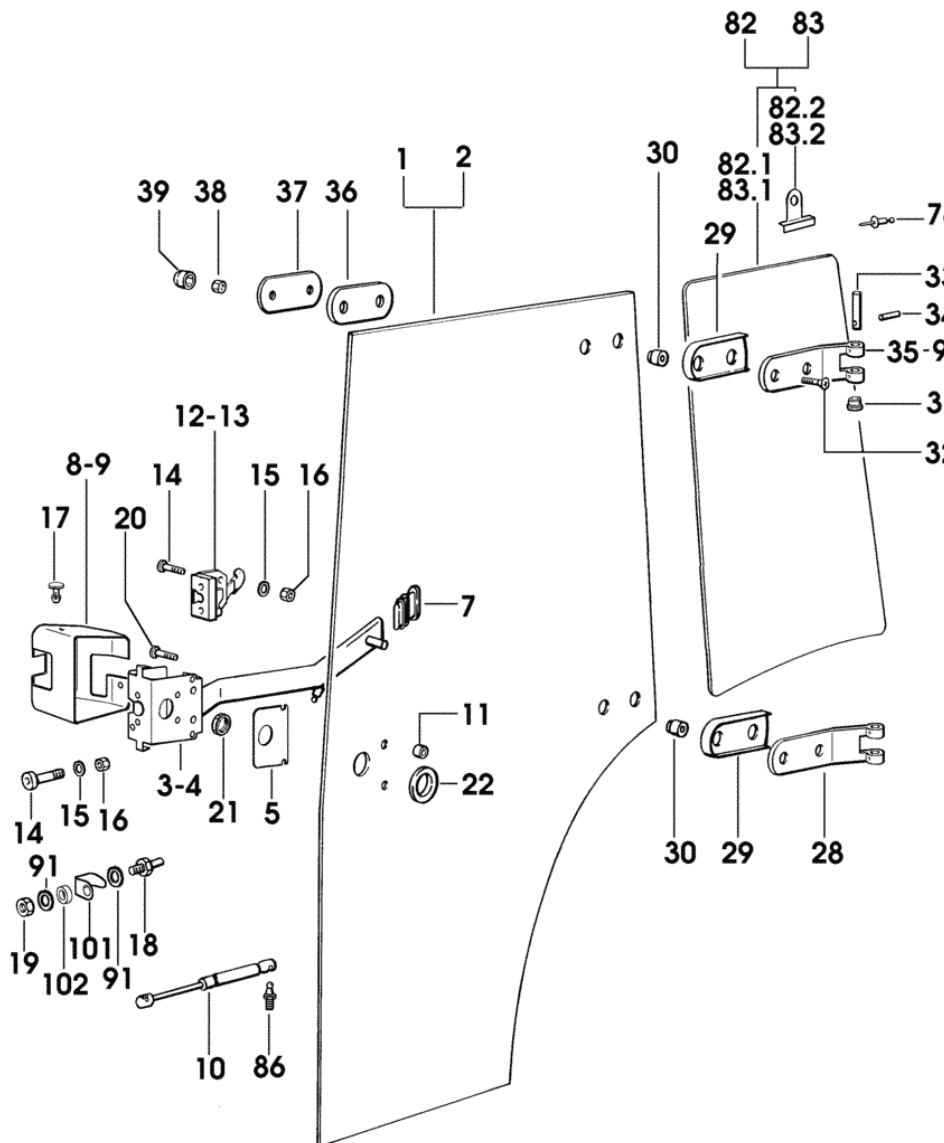


9\_68481\_02\_0\_0

INTERIOR TRIM "HIGHT VISIBILITY" - WITHOUT AIR CONDITIONING.....	0B.00.41
CAB ROOF "HIGHT VISIBILITY" - WITHOUT AIR CONDITIONING.....	0B.00.42
CAB ROOF "HIGHT VISIBILITY" - FOR TRACTORS WITH AIR CONDITIONING.....	0B.00.43
CAB ROOF "HIGHT VISIBILITY" - FOR TRACTORS WITH AIR CONDITIONING.....	0B.00.44
CAB ROOF "HIGHT VISIBILITY" - FOR TRACTORS WITH AIR CONDITIONING.....	0B.00.45
INTERIOR TRIM "HIGHT VISIBILITY" - FOR TRACTORS WITH AIR CONDITIONING.....	0B.00.46
CAB ROOF "HIGHT VISIBILITY".....	0B.00.47
CAB ROOF "HIGHT VISIBILITY".....	0B.00.48
CAB ROOF "HIGHT VISIBILITY".....	0B.00.49
VENTILATION AND AIR CONDITIONING PIPES.....	0B.00.50
VENTILATION AND AIR CONDITIONING PIPES.....	0B.00.51
VENTILATION - AIR CONDITIONING "HIGHT VISIBILITY".....	0B.00.52
VENTILATION-AIR CONDITIONING "HIGHT VISIBILITY".....	0B.00.53
COMPRESSOR - AIR CONDITIONING UNIT.....	0B.00.54
LINE AIR CONDITIONING UNIT.....	0B.00.55
ELETRIC HEATING.....	0B.00.56
ELETRIC HEATING "HIGHT VISIBILITY".....	0B.00.57
VENTILATION - AIR CONDITIONING - HEATING.....	0B.00.58
CLIMATE CONTROL SYSTEM.....	0B.00.59

**GLASSES AND SEALS**

Fig.	Code	QTY	Name
39	0.163.7856.0	6	cap
78	2.1855.110.0	6	rivet 4.2
82	0.000.0000.1	0	not serviceable
82.1	0.009.7703.0/10	1	window glass
82.1	0.009.7703.0/20	1	1046 <- X Agroplus 60 2917 <- X Agroplus 70 window glass
82.2	0.009.7708.0	2	small spring
83	0.000.0000.1	0	not serviceable
83.1	0.009.7703.0/10	1	window glass
83.1	0.009.7703.0/20	1	1046 <- X Agroplus 60 2917 <- X Agroplus 70 window glass
83.2	0.009.7708.0	2	small spring
86	0.009.8760.0	6	ball joint
91	2.1310.006.3	4	flat washer 10.5x21x2
99	0.010.6994.3/20	1	hinge sx/lh/li
101	0.010.7267.0/10	2	guard
102	2.1599.789.2	2	spacer 11 x 22 x 6.0



Section: CAB

**SUN BLIND - FOR "HIGH VISIBILITY" CAB**

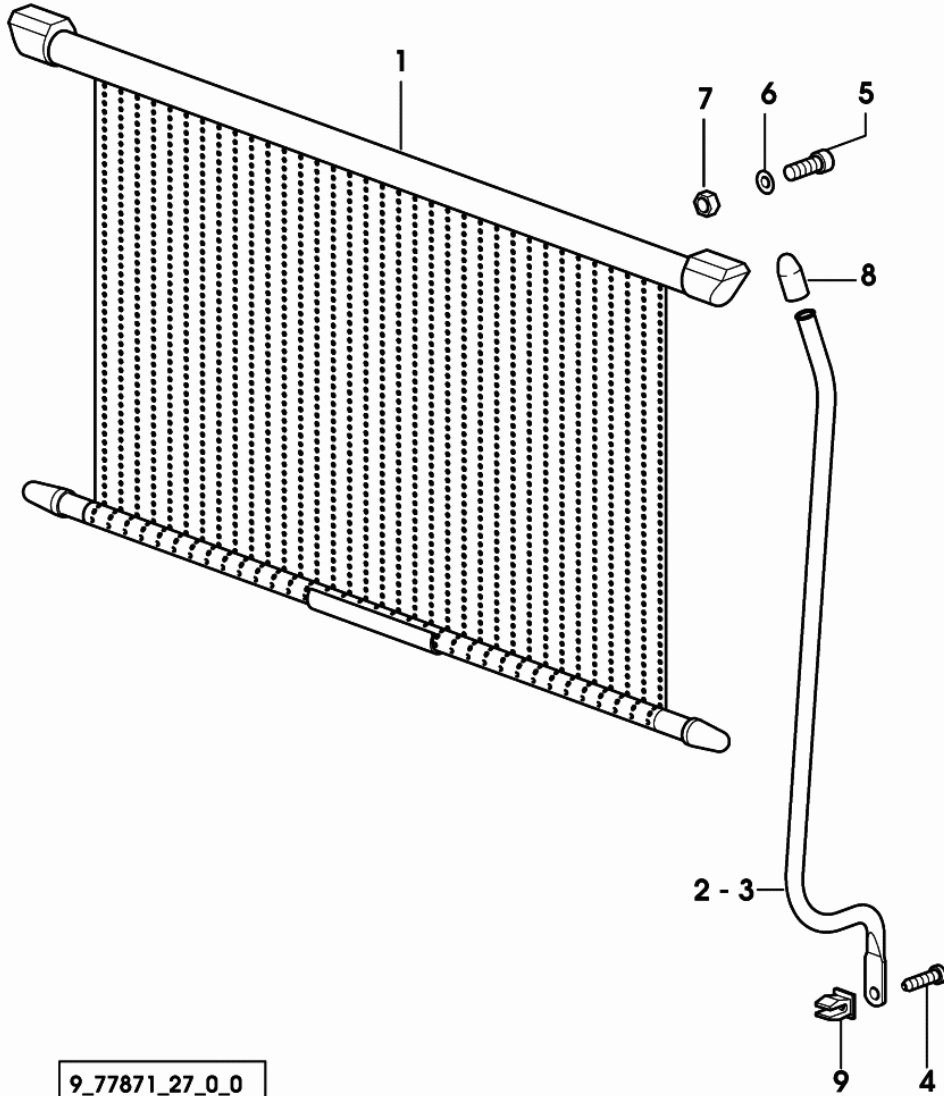


Fig.	Code	QTY	Name
1	0.9237.343.4/10	1	roll-up sun-shade
2	0.011.3071.0	1	rod dx/rh/re
3	0.011.3073.0	1	rod sx/lh/li
4	2.0350.454.3	2	screw m 4.2 x 13 -AB-
5	2.0299.003.3	2	screw m 4x18
6	2.1310.028.2	2	flat washer 4
7	2.1011.101.2	2	nut m 4 p.0.7
8	0.010.1367.0	2	cap
9	2.6999.038.0	2	special nut 4.2

9\_77871\_27\_0\_0

**INTERIOR TRIM - WITHOUT AIR CONDITIONING**

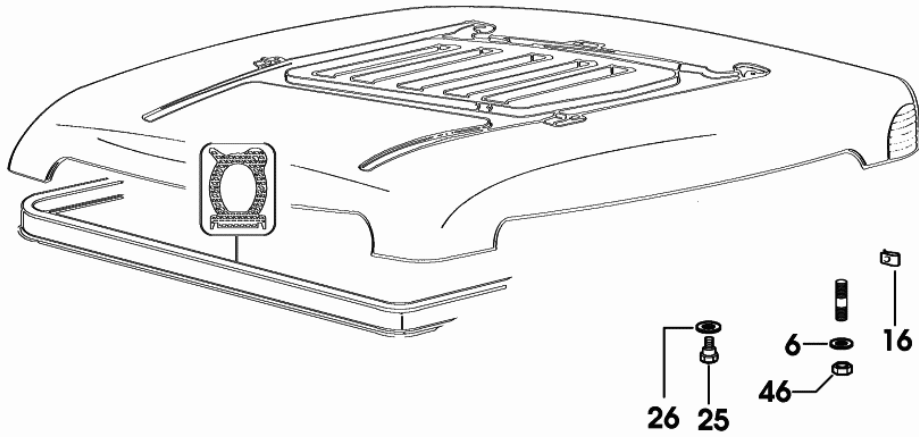
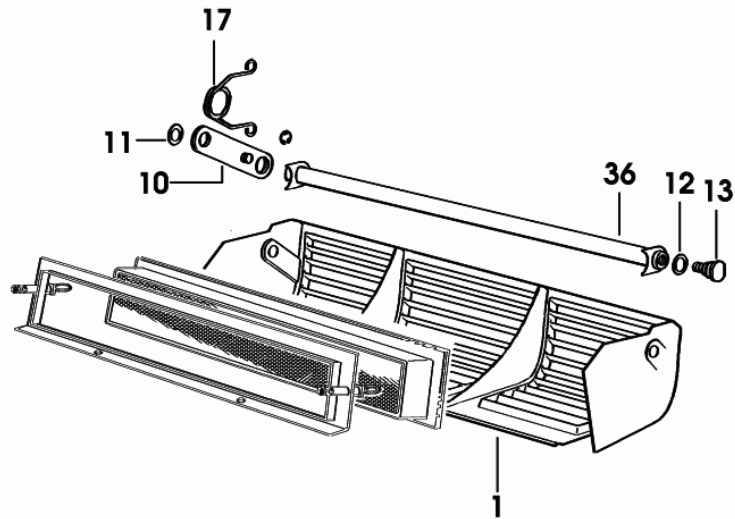


Fig.	Code	QTY	Name
1	0.007.7660.0/70	1	front grille
6	2.1312.004.2	2	washer 8.4
10	0.007.6734.2/10	2	lever
11	2.1311.007.2	2	flat washer 10
12	2.1579.837.2	2	spacer 8 x 25 x 3
13	2.1699.429.2/40	2	pin
17	2.4099.104.2/30	2	spring
25	2.1699.442.2	6	pin m 8x23.5
26	2.1579.520.2	6	washer 10.5x30x3
36	0.010.4408.2	1	crosspiece



Section: CAB

**INTERIOR TRIM - FOR TRACTORS WITH AIR CONDITIONING**

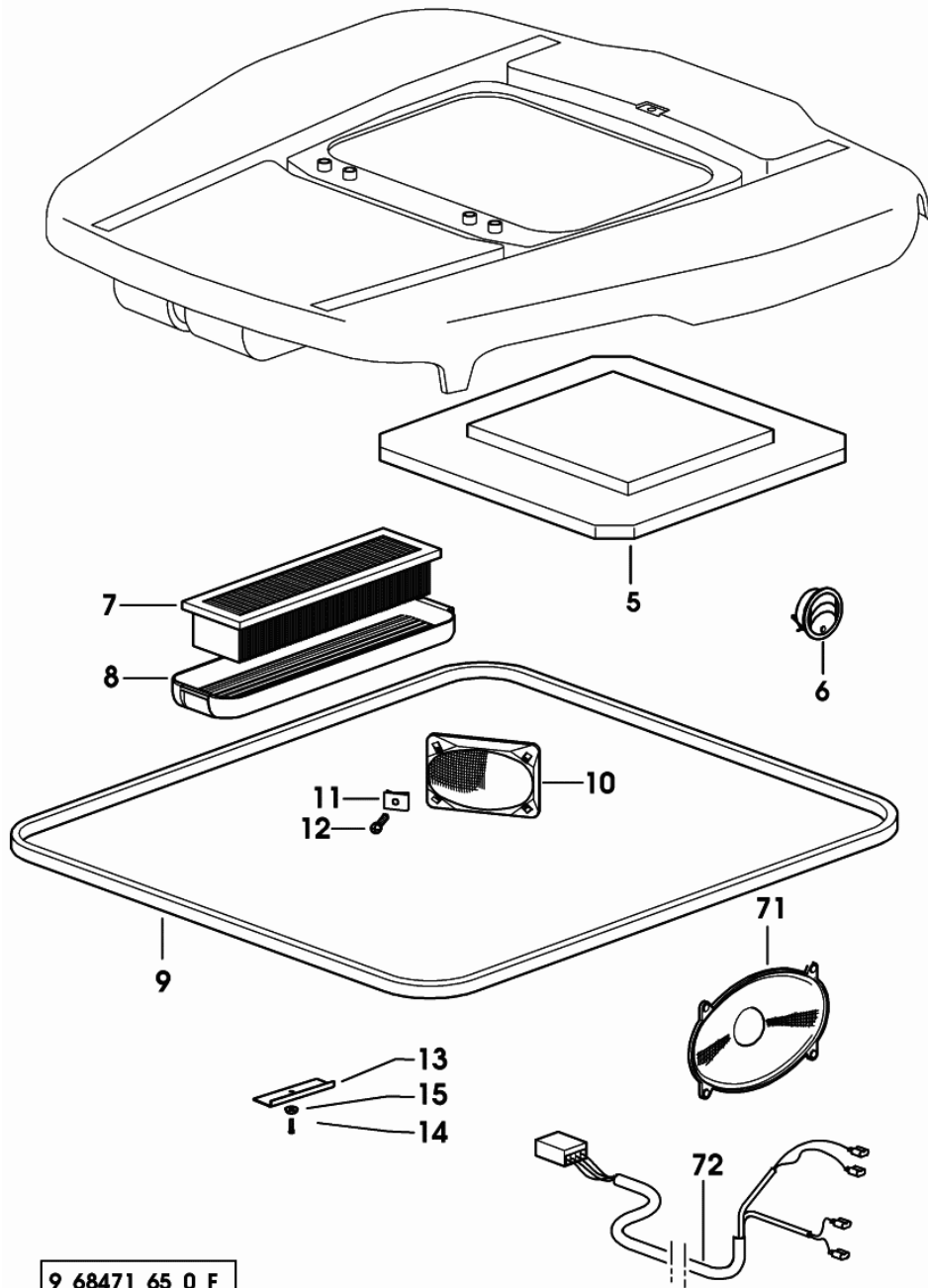
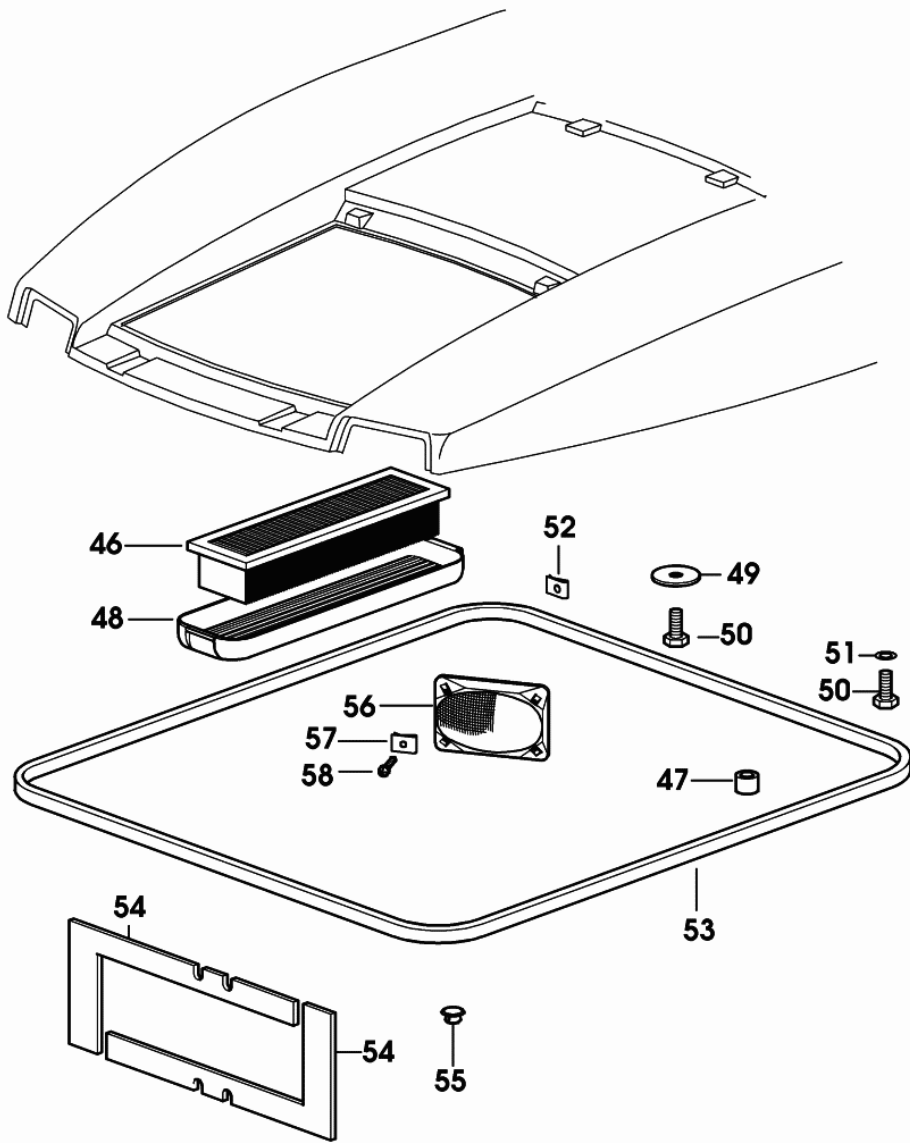


Fig.	Code	QTY	Name
5	0.010.6001.2	1	inner cab roof panel
6	0.011.0760.3	2	tongue mm 95
7	0.010.5365.2	2	air filter element
8	0.010.5293.0/10	2	front grille
9	0.013.4027.0	0	gasket
10	0.010.0716.4/10	2	grille
11	2.6999.041.0	8	small spring
12	2.0399.177.3	8	screw 4.2x25
13	0.010.5114.0/10	2	bracket
14	2.0350.255.3	2	screw m 3.5 x 16 -AB-
15	2.1312.001.3	2	washer 4
71	0.011.5631.3	2	loud speaker
72	0.011.0729.4/10	1	wire

9\_68471\_65\_0\_F

**INTERIOR TRIM "HIGHT VISIBILITY" - FOR TRACTORS WITH AIR CONDITIONING**

Fig.	Code	QTY	Name
46	0.010.5365.2	2	air filter element
47	2.1579.450.2	2	spacer 8.5 x 14 x 12
48	0.010.5293.0/10	2	front grille
49	2.1599.584.2	6	snoulder 9 x 30 x 2
50	2.0112.205.2	8	screw m 8 p.1.25 x 16
51	2.1312.004.2	2	washer 8.4
52	2.6999.041.0	1	small spring
53	0.013.4027.0	0	gasket
54	0.010.0756.0/10	2	gasket
55	2.3199.107.0	2	plug 14x12.5
56	0.010.0716.4/10	2	grille
57	2.6999.041.0	8	small spring
58	2.0399.177.3	8	screw 4.2x25



9\_68471\_75\_0\_D

Section: CAB

**LINE AIR CONDITIONING UNIT**

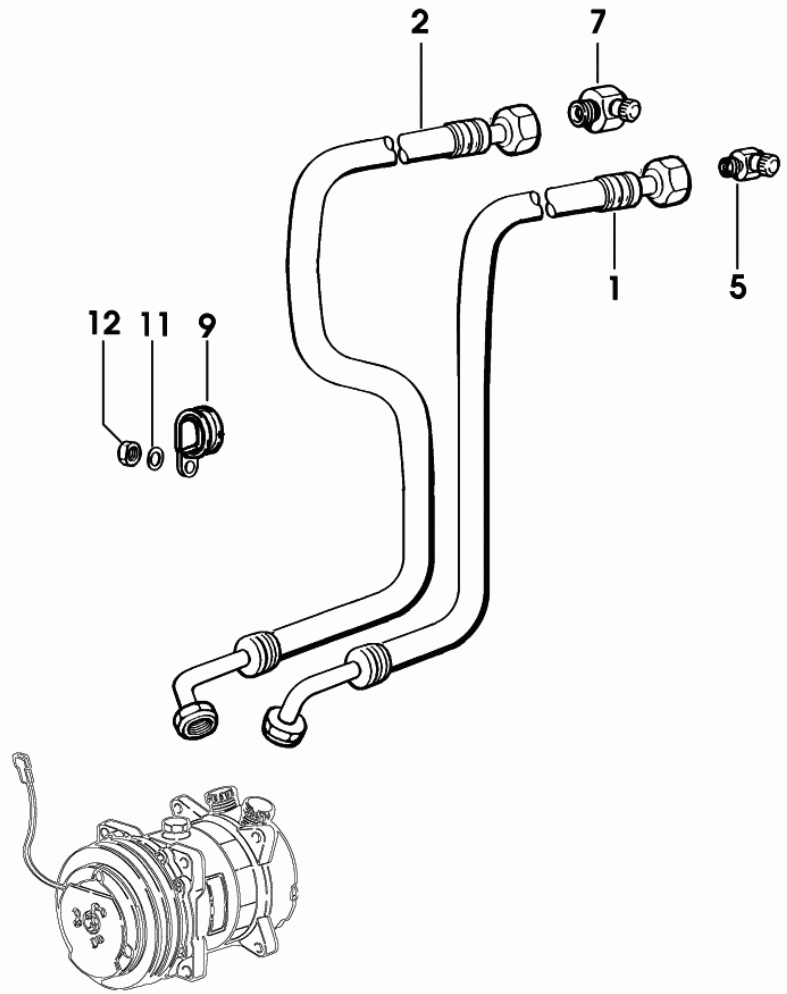
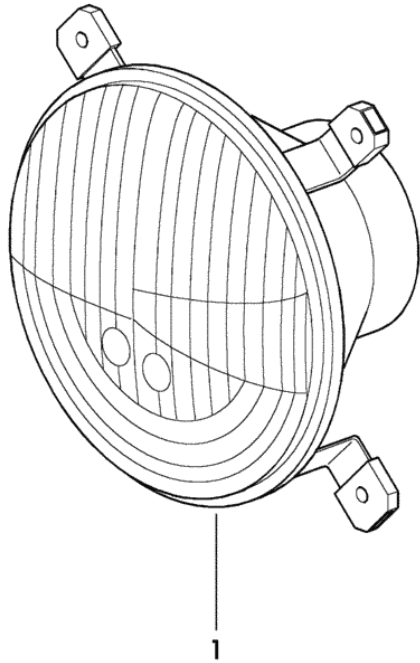


Fig.	Code	QTY	Name
1	0.010.6293.3	1	tube
2	0.010.6292.3	1	tube
5	0.010.4833.3	1	pipe fitting
7	0.010.4834.3	1	pipe fitting
9	2.6839.063.0	1	clamp Ø 50
11	2.1310.002.2	1	washer 6.6, d125
12	2.1011.103.2	1	nut m 6 p.1

9\_68486\_22\_0\_0

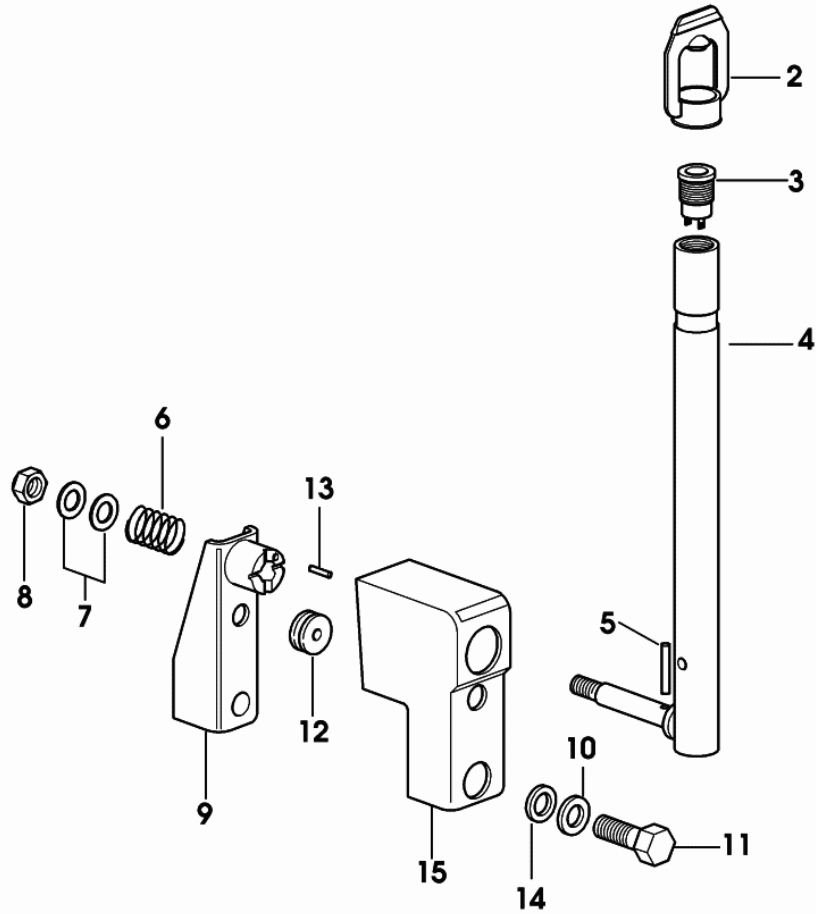
**HEADLAMP FOR RIGHT-HAND DRIVE**

Fig.	Code	QTY	Name
1	2.8029.820.0/20	2	lamp COMPONENT PARTS SEE COMPONENTS LIST ☞ 2.8029.820.0/20 ☞ 08.00.47



**FLASHING LIGHT SUPPORT - FOR MODELS WITH CAB**

Fig.	Code	QTY	Name
2	0.009.6650.0	1	cap
3	2.6039.017.0	1	socket
4	0.010.0176.3/20	1	tube
5	2.1651.312.2	1	pin 4x28
6	2.4019.611.2	1	spring
7	2.1310.006.2	2	flat washer 10.5
8	2.1120.006.2	1	nut m 10 p.1.5
9	0.010.0175.3/30	1	square
10	2.1474.011.2	1	spring washer 12
11	2.0112.413.2	1	screw m 12 p.1.75x35
12	0.154.6761.0	1	rubber plug
13	2.1630.207.9	1	pin 3x14
14	2.1599.007.2	1	snoulder 12.5x20x3
15	0.010.5113.0	1	cover



9\_64871\_34\_0\_0



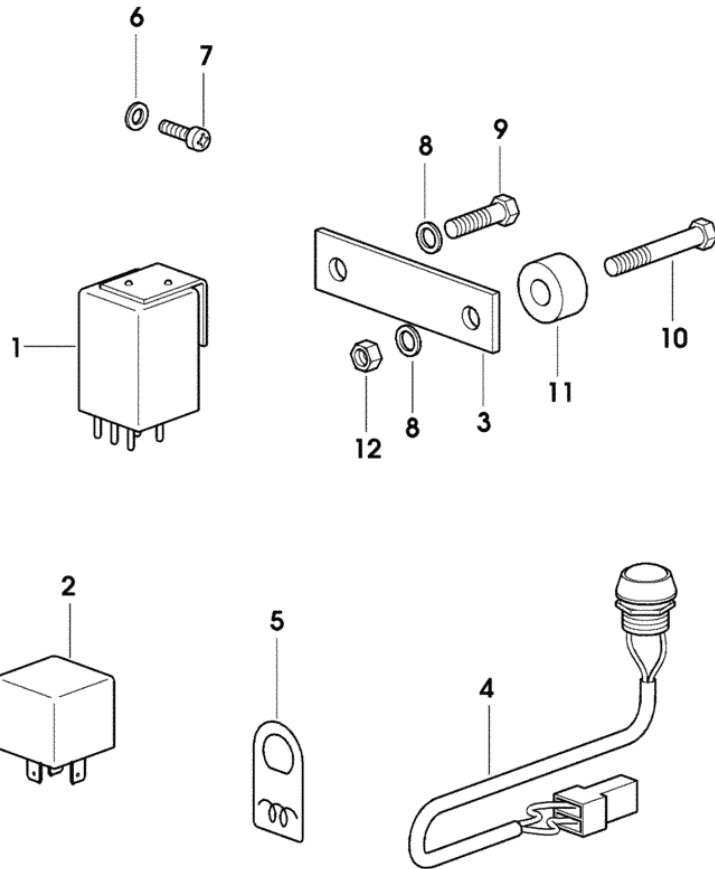
Section: ELECTRIC AL SYSTEM  
**PREHEATING CONTROL UNIT**

Fig.	Code	QTY	Name
------	------	-----	------

**Notes:**

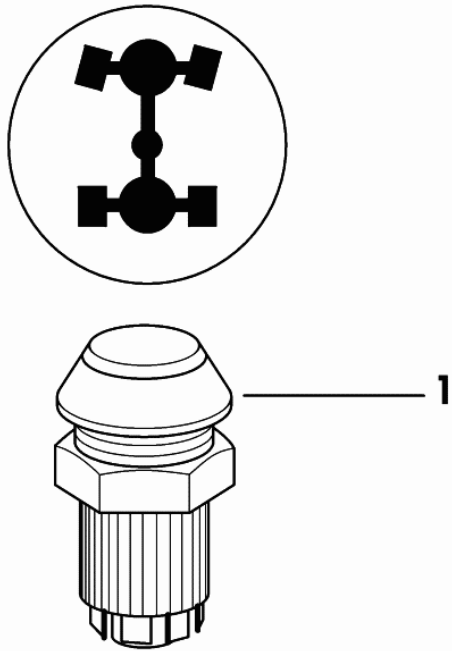
1591 <- X Agroplus 60    4504 <- X Agroplus 70    1871 <- X Agroplus 80

1	01178976	1	electronic unit
2	2.7659.107.0	1	relay 12V-30A
3	0.007.7783.0/10	1	small plate
4	2.7659.140.0	1	push-button
5	2.9929.549.0	1	plate
6	2.1310.001.2	1	flat washer 5.3
7	2.0332.302.2	1	screw m 5x8
8	2.1310.002.2	2	washer 6.6, d125
9	2.0112.011.2	1	screw m 6 p.1x30
10	2.0112.027.2	1	screw
11	2.1579.358.0	1	spacer 8.5x20x11
12	2.1011.103.2	1	nut m 6 p.1



Section: ELECTRIC AL SYSTEM  
**4WD - ENGAGEMENT CONTROL**

Fig.	Code	QTY	Name
1	0.007.5945.0/20	1	switch 4 WD



9\_52684\_04\_0\_0

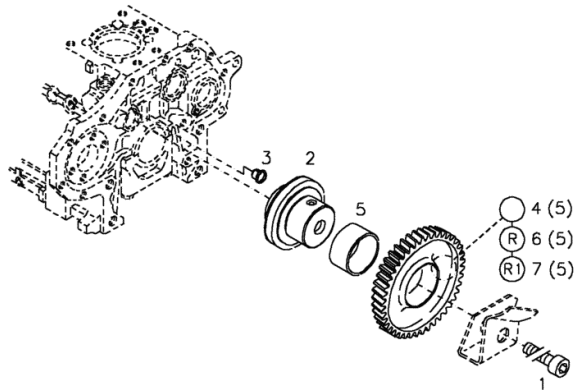
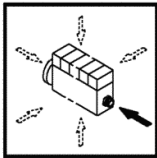
Section: ENGINE  
**IDLER BEARING**

Fig.	Code	QTY	Name
------	------	-----	------

8685938 8685939 8685940 8707960 8707961 8707962 8707963 8707964 8707965 8707966 8707967 8707968  
 8707969 8707970 8707971 8707972 8707973 8707974

1	01151461	1	screw ISO 004762- M10 X 60 -10.9-OELGESCHW
2	04156285	1	journal
3	04156283	1	sleeve
4	04153996	1	gear wheel WITH ITEM .... (5) STANDARD
5	03362538	1	bushing
6	04233371	1	wheel WITH ITEM .... (5) RENAULT F 4L912/913
7	04233374	1	support WITH ITEM .... (5) RENAULT F 4L912/913

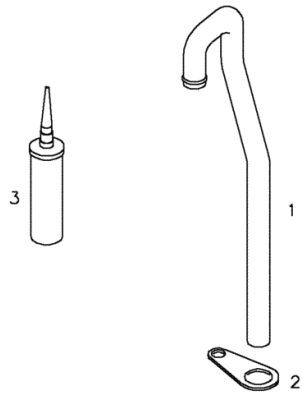
001 ©



Section: ENGINE  
**BLEEDING TUBE**

Fig.	Code	QTY	Name
8685938 8685939 8685940 8707960 8707961 8707962 8707963 8707964 8707965 8707966 8707967 8707968 8707969 8707970 8707971 8707972 8707973 8707974			
1	02101811	1	tube
2	02239072	1	rotor blade
3	01016120	1	compound H 000699-DEUTZ DW 47- 310 ML

000 ©



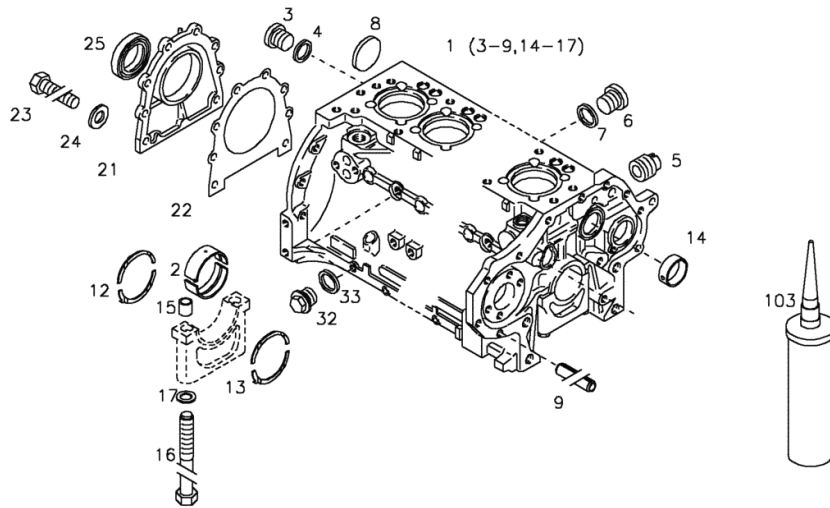
Section: ENGINE  
**CRANKCASE**

Fig.	Code	QTY	Name
------	------	-----	------

8685938 8685939 8685940 8707960 8707961 8707962 8707963 8707964 8707965 8707966 8707967 8707968  
 8707969 8707970 8707971 8707972 8707973 8707974

1	04156081	1	crankcase WITH ITEM .... (3-9,14-17)
2	03362379	4	bearing NORMAL (1) MM RD, UNDERSIZE STEP ITEM 2 REPAIR BEARING FOR INSIDE AND OUTSIDE SEE ITEM(3) (1)
3	04159934	2	screw
4	04159935	1	'o' ring
5	01215235	4	plug
6	01110422	4	screw DIN 000908-M12X1,5-ST
7	01118673	4	'o' ring DIN 007603-A 12 X 15,5 -CU
8	01216240	1	disc
9	01167266	2	sleeve H 002341-B11X16
12	02230181	1	shim NORMAL (A) MM RD, FOR OVERSIZED PART SEE POS (B) 1.30 MM 2. 956-959
13	02230170	1	shim NORMAL (A) MM RD, FOR OVERSIZED PART SEE POS (B) 1.30 MM 2. 960-963
14	02139737	1	bushing
15	04160764	8	bushing
16	04156058	8	screw
17	01218426	8	washer H 002308-15 X23X1,5 -A4C
21	02234870	1	cover
22	03362337	1	gasket
23	01112322	8	screw m 8 p.1.25 x 20 ISO 004017-M 8 X 20 - 8.8-A4C
24	01107101	8	washer 8.4 DIN 000125-A 8,4-140HV-A4C
25	04230392	1	'o' ring

002 ©



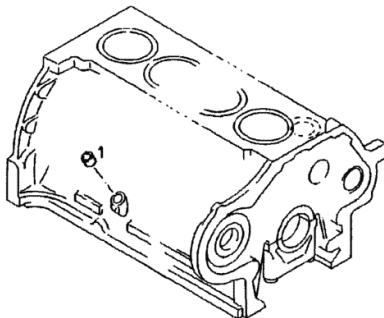
Section: ENGINE  
ACCESSORIES

Fig.	Code	QTY	Name
------	------	-----	------

Engine Serial Numbers:

8556794 8556795 8556796 8556797 8556798 8556799 8556800 8556801 8556802 8556803 8556804 8556805  
 8556806 8556807 8556808 8556809 8556810 8556811 8556812 8556813 8556894 8556895 8556896 8556897  
 8556898 8556899 8556900 8556901 8556902 8556903 8556904 8556905 8556906 8556907 8556908 8556909  
 8556910 8556911 8556912 8556913 8556914 8556915 8556916 8556917 8556918 8556919 8556920 8556921  
 8556922 8556923 8556924 8556925 8556926 8556927 8556928 8556929 8556930 8556931 8556932 8556933  
 8556934 8565589 8565590 8565591 8565592 8565593 8565594 8565595 8565596 8565597 8565598 8565599  
 8565600 8565601 8565602 8565603 8565604 8565605 8565606 8565607 8565608 8565609 8565610 8565611  
 8565612 8565613 8565614 8565615 8565616 8565617 8565618 8565619 8565620 8565621 8571052 8571053  
 8574961 8574962 8574963 8574964 8574965 8574966 8574967 8574968 8574969 8574970 8574971 8574972  
 8575627 8575628 8575629 8575630 8575631 8575632 8575633 8575634 8575635 8575636 8575637 8575638  
 8575639 8575640 8575641 8575642 8575643 8576389 8576390 8576391 8579569 8579570 8579571 8579572  
 8579573 8579574 8579575 8579576 8579577 8579578 8579579 8579580 8579581 8579582 8579583 8579584  
 8579585 8579586 8579587 8579588 8579589 8579590 8579591 8579592 8579593 8579594 8579595 8579596  
 8585089 8585090 8585091 8585092 8585093 8585094 8585095 8585096 8585097 8585098 8585099 8585100  
 8585101 8585102 8585103 8585104 8585105 8585106 8585107 8585108 8585109 8585110 8585111 8588428  
 8588429 8588430 8588431 8588432 8588433 8588434 8588435 8588436 8588437 8591084 8591085 8591086  
 8591087 8591088 8592133 8592134 8592135 8592136 8592137 8592138 8592139 8592140 8592141 8592142  
 8592850 8592851 8592852 8592853 8592854 8592855 8592856 8592857 8592858 8592859 8592860 8592861  
 8594157 8594158 8594159 8594160 8594161 8594162 8594163 8596594 8596595 8596596 8596597 8596598  
 8596599 8596600 8596601 8596602 8596603 8596604 8596605 8596606 8596607 8596608 8596609 8596610  
 8596611 8596612 8596613 8596614 8596615 8596616 8596617 8596618 8596619 8596620 8596621 8596622  
 8596623 8596624 8596625 8596626 8597385 8597386 8597387 8597388 8597389 8597390 8597391 8597392  
 8597393 8597394 8597395 8597396 8597397 8597398 8597399 8603202 8603203 8603204 8603205 8603206  
 8603207 8603208 8603209 8603210 8603211 8603212 8603213 8603214 8603215 8603216 8603217 8603218  
 8605920 8605921 8610190 8619290 8619291 8619292 8619293 8619294 8619295 8619296 8619297 8623683  
 8623684 8623685 8623686 8623687 8623688 8623689 8625450 8625451 8625452 8625453 8625454 8625455  
 8625456 8625457 8625458 8625459 8625460 8625461 8626714 8626715 8626716 8628657 8628658 8628659  
 8628660 8628661 8628662 8628663 8628897 8628898 8628899 8628900 8628901 8628902 8628903 8628904  
 8628905 8628906 8628907 8633440 8633441 8633442 8633443 8633444 8633445 8633446 8633447 8634919  
 8634920 8634921 8634922 8634923 8634924 8634925 8634926 8634927 8634928 8634929 8634930 8634931  
 8635458 8635459 8635460 8635824 8635825 8635826 8635827 8635828 8635829 8635830 8635831 8635832  
 8637093 8637094 8637095 8637096 8637097 8637098 8637099 8638018 8638019 8638020 8638021 8638022  
 8638023 8638750 8638751 8638752 8638753 8638754 8638755 8638756 8638757 8638758 8641161 8641162  
 8641163 8641182 8641183 8641184 8641185 8642043 8642523 8642524 8642525 8642526 8642527 8642528  
 8645119 8645120 8645121 8645122 8645123 8645124 8646063 8646064 8646065 8646066 8646067 8646068  
 8646069 8646070 8646071 8646072 8649682 8649683 8649684 8649685 8649686 8649687 8649688 8649689  
 8649690 8649691 8649692 8649693 8649694 8649695 8649696 8650235 8651143 8651144 8651145 8651146  
 8651147 8652085 8652086 8652087 8652088 8652089 8652090 8652091 8652092 8652093 8652094 8654325 8654326  
 8654327 8654328 8654329 8655093 8655094 8655095 8655096 8656002 8656003 8656004 8656005 8656006  
 8656007 8656008 8656009 8656010 8658878 8658879 8658880 8658881 8658882 8667550 8667551 8667552  
 8667553 8667554 8667555 8667556 8667557 8667944 8667945 8667946 8667947 8669291 8669292 8669293  
 8669294 8669295 8669296 8669297 8669298 8669299 8669300 8669301 8669302 8673923 8673924 8673925  
 8674400 8674401 8675739 8675740 8675741 8675742 8677387 8677388 8677389 8677390 8677391 8677392  
 8677393 8677394 8677395 8677396 8677397 8677398 8677399 8677400 8677401 8677402 8680004 8680005  
 8680006 8680007 8680008 8680009 8680010 8680011 8680012 8680013 8682185 8682186 8682187 8682188  
 8682189 8682190 8682191 8682192 8682193 8682194 8682195 8682196 8682197 8682198 8682199 8682200  
 8682201 8682202 8682203 8682204 8682205 8682206 8685932 8685933 8685934 8685935 8685936 8685937

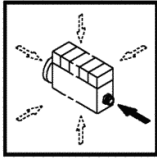
000 ©



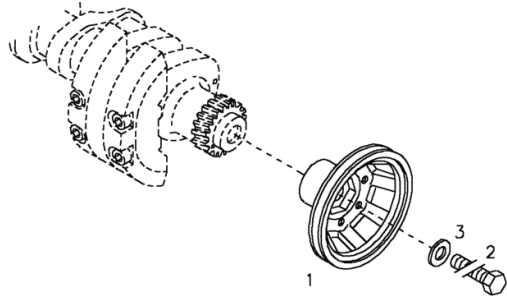
0504 2878

Section: ENGINE  
**V-GROOVED PULLEY**

Fig.	Code	QTY	Name
8685938 8685939 8685940 8707960 8707961 8707962 8707963 8707964 8707965 8707966 8707967 8707968 8707969 8707970 8707971 8707972 8707973 8707974			
1	04158476	1	pulley SINGLE-GROOVE
2	01178931	1	screw
3	01216128	1	washer



001 ©

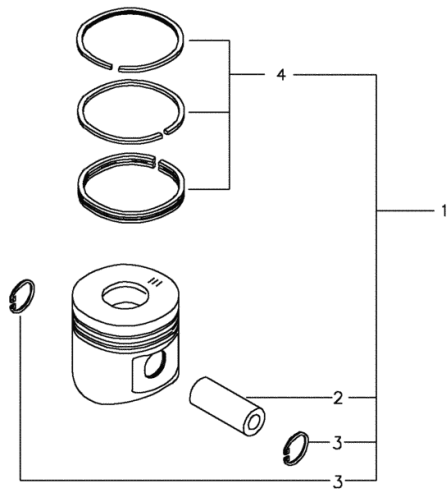
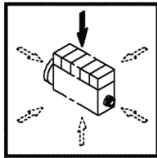


**PISTON**

Fig.	Code	QTY	Name
------	------	-----	------

8685938 8685939 8685940 8707960 8707961 8707962 8707963 8707964 8707965 8707966 8707967 8707968  
8707969 8707970 8707971 8707972 8707973 8707974

1	04232405	1	piston NORMAL (A)MM, OVERSIZE STEP SEE ITEM (B) A = 102.00 MM B = POS. 950
2	03371660	1	piston pin
3	01107821	2	circlip 35x1,5 d472 DIN 000472- 35X1,5
4	04231717	1	seal ring kit NORMAL (A)MM, OVERSIZE STEP SEE ITEM (B) A = 102.00 MM B = POS. 951
950	04232406	1	piston OVERSIZE 105.50 MM
951	04231718	1	piston ring set OVERSIZE 105.50 MM



CLICK HERE TO **DOWNLOAD** THE COMPLETE MANUAL

- Thank you very much for reading the preview of the manual.
- You can download the complete manual from: [www.heydownloads.com](http://www.heydownloads.com) by clicking the link below

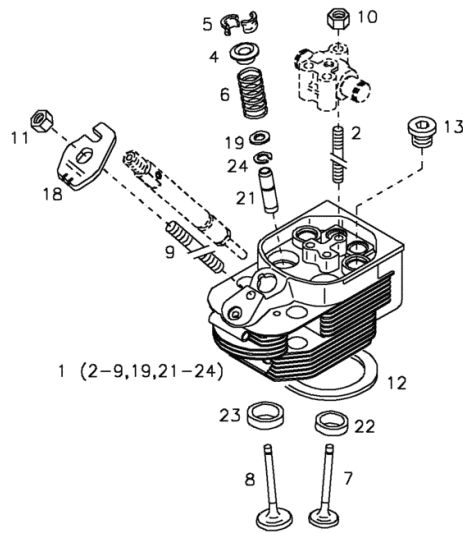
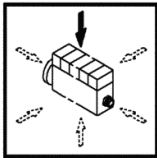


- Please note: If there is no response to CLICKING the link, please download this PDF first and then click on it.

CLICK HERE TO **DOWNLOAD** THE COMPLETE MANUAL

Section: ENGINE  
CYLINDER HEAD

Fig.	Code	QTY	Name
			DIN 000908-M26X1,5-ST *
18	04231920	1	pad
19	04232070	2	filler
21	04231976	2	valve guide NORMAL (A) MM RD, FOR OVERSIZED PART SEE POS (B) A = 15.00 MM B = POS. 950-951
22	02137306	1	ring mm 40.16 EXHAUST VALVE, NORMAL.(A)MM RD FOR OVERSIZED PART SEE POS (B) A = 40.16 MM B = POS. 952-954
23	04231325	1	ring INTAKE VALVE, NORMAL.(A)MM RD FOR OVERSIZED PART SEE POS (B) A = 45.66 MM B = POS. 955-957
24	01215500	2	circlip
950	04231977	2	valve guide 1ST OVERSIZE 15.25 MM
951	04231978	2	valve guide 2ND OVERSIZE 15.50 MM
952	02137307	1	screw mm 40.26 EXHAUST VALVE, FIRST OVERSIZE STAGE 40.26 MM
953	02137308	1	ring mm 40.36 EXHAUST VALVE, 2ND OVERSIZE STAGE 40.36 MM
954	02137309	1	ring mm 40.46 EXHAUST VALVE, 3RD OVERSIZE STAGE 40.46 MM
955	04231326	1	ring INLET VALVE, 1ST OVERSIZE STAGE 45.76 MM
956	04231327	1	ring INLET VALVE, 2ND OVERSIZE STAGE 45.86 MM

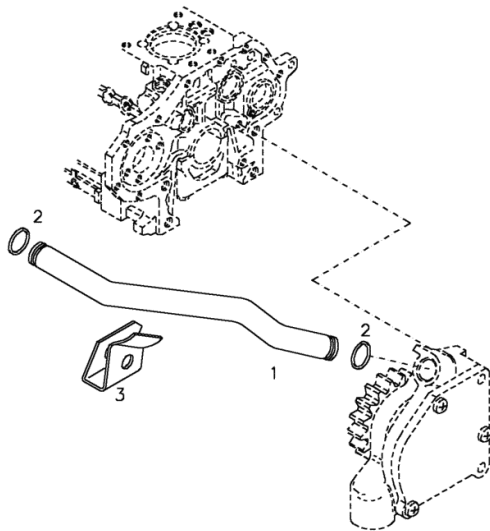
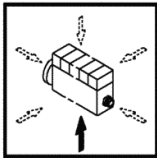


000 ©



Section: ENGINE  
**PRESSURE OIL LINE**

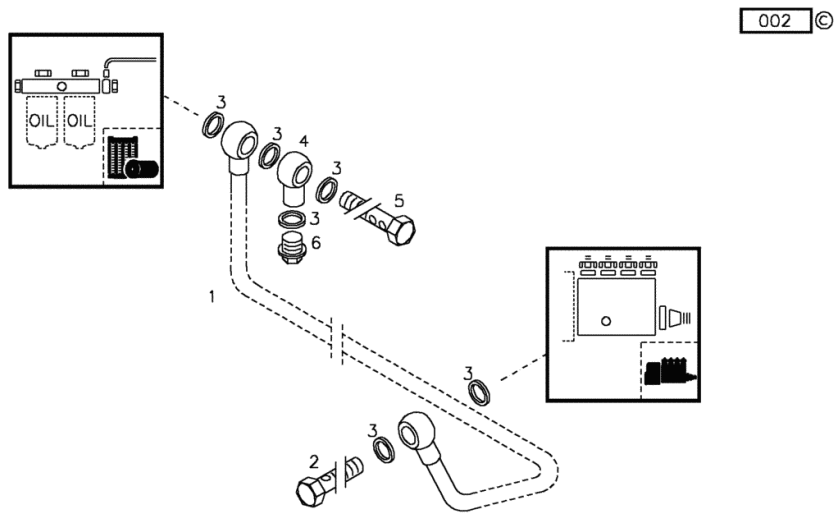
Fig.	Code	QTY	Name
8685938 8685939 8685940 8707960 8707961 8707962 8707963 8707964 8707965 8707966 8707967 8707968 8707969 8707970 8707971 8707972 8707973 8707974			
1	02239984	1	tube
2	01174605	2	'o' ring H 002927- 14,5 X 3 -ACM-1-70
3	02138201	1	spring



000 ©

Section: ENGINE  
**OIL LUBRICATION PIPE**

Fig.	Code	QTY	Name
5	01178624	1	pipe union H 003103-A 6M-A4C
6	01118997	1	screw cm10x1 DIN 007604-CM10X1 -ST-ZNPHRF



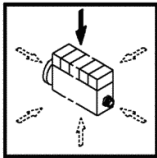
Section: ENGINE  
**FUEL INJECTOR**

Fig.	Code	QTY	Name
------	------	-----	------

**Engine Serial Numbers:**

8571052 8571053 8574961 8574962 8574963 8574964 8574965 8574966 8574967 8574968 8574969 8574970  
 8574971 8574972 8575627 8575628 8575629 8575630 8575631 8575632 8575633 8575634 8575635 8575636  
 8575637 8575638 8575639 8575640 8575641 8575642 8575643 8576389 8576390 8576391 8579569 8579570  
 8579571 8579572 8579573 8579574 8579575 8579576 8579577 8579578 8579579 8579580 8579581 8579582  
 8579583 8579584 8579585 8579586 8579587 8579588 8579589 8579590 8579591 8579592 8579593 8579594  
 8579595 8579596 8585089 8585090 8585091 8585092 8585093 8585094 8585095 8585096 8585097 8585098  
 8585099 8585100 8585101 8585102 8585103 8585104 8585105 8585106 8585107 8585108 8585109 8585110  
 8585111 8588428 8588429 8588430 8588431 8588432 8588433 8588434 8588435 8588436 8588437 8591084  
 8591085 8591086 8591087 8591088 8592133 8592134 8592135 8592136 8592137 8592138 8592139 8592140  
 8592141 8592142 8592850 8592851 8592852 8592853 8592854 8592855 8592856 8592857 8592858 8592859  
 8592860 8592861 8594157 8594158 8594159 8594160 8594161 8594162 8594163 8596594 8596595 8596596  
 8596597 8596598 8596599 8596600 8596601 8596602 8596603 8596604 8596605 8596606 8596607 8596608  
 8596609 8596610 8596611 8596612 8596613 8596614 8596615 8596616 8596617 8596618 8596619 8596620  
 8596621 8596622 8596623 8596624 8596625 8596626 8597385 8597386 8597387 8597388 8597389 8597390  
 8597391 8597392 8597393 8597394 8597395 8597396 8597397 8597398 8597399 8603202 8603203 8603204  
 8603205 8603206 8603207 8603208 8603209 8603210 8603211 8603212 8603213 8603214 8603215 8603216  
 8603217 8603218 8605920 8605921 8610190 8619290 8619291 8619292 8619293 8619294 8619295 8619296  
 8619297 8623683 8623684 8623685 8623686 8623687 8623688 8623689 8625450 8625451 8625452 8625453  
 8625454 8625455 8625456 8625457 8625458 8625459 8625460 8625461 8626714 8626715 8626716 8628657  
 8628658 8628659 8628660 8628661 8628662 8628663 8628897 8628898 8628899 8628900 8628901 8628902  
 8628903 8628904 8628905 8628906 8628907 8633440 8633441 8633442 8633443 8633444 8633445 8633446  
 8633447 8634919 8634920 8634921 8634922 8634923 8634924 8634925 8634926 8634927 8634928 8634929  
 8634930 8634931 8635458 8635459 8635460 8635824 8635825 8635826 8635827 8635828 8635829 8635830  
 8635831 8635832 8637093 8637094 8637095 8637096 8637097 8637098 8637099 8638018 8638019 8638020  
 8638021 8638022 8638023 8638750 8638751 8638752 8638753 8638754 8638755 8638756 8638757 8638758  
 8641161 8641162 8641163 8641182 8641183 8641184 8641185 8642043 8642523 8642524 8642525 8642526  
 8642527 8642528 8645119 8645120 8645121 8645122 8645123 8645124 8646063 8646064 8646065 8646066  
 8646067 8646068 8646069 8646070 8646071 8646072 8649682 8649683 8649684 8649685 8649686 8649687  
 8649688 8649689 8649690 8649691 8649692 8649693 8649694 8649695 8649696 8650235 8651143 8651144  
 8651145 8651146 8651147 8652085 8652086 8652087 8652088 8652089 8652090 8652091 8652092 8652093  
 8654325 8654326 8654327 8654328 8654329 8655093 8655094 8655095 8655096 8656002 8656003 8656004  
 8656005 8656006 8656007 8656008 8656009 8656010 8658878 8658879 8658880 8658881 8658882 8667550  
 8667551 8667552 8667553 8667554 8667555 8667556 8667557 8667944 8667945 8667946 8667947 8669291  
 8669292 8669293 8669294 8669295 8669296 8669297 8669298 8669299 8669300 8669301 8669302 8673923  
 8673924 8673925 8674400 8674401 8675739 8675740 8675741 8675742 8677387 8677388 8677389 8677390  
 8677391 8677392 8677393 8677394 8677395 8677396 8677397 8677398 8677399 8677400 8677401 8677402  
 8680004 8680005 8680006 8680007 8680008 8680009 8680010 8680011 8680012 8680013 8682185 8682186  
 8682187 8682188 8682189 8682190 8682191 8682192 8682193 8682194 8682195 8682196 8682197 8682198  
 8682199 8682200 8682201 8682202 8682203 8682204 8682205 8682206 8685932 8685933 8685934 8685935  
 8685936 8685937 8685938 8685939 8685940 8707960 8707961 8707962 8707963 8707964 8707965 8707966  
 8707967 8707968 8707969 8707970 8707971 8707972 8707973 8707974

001 ©



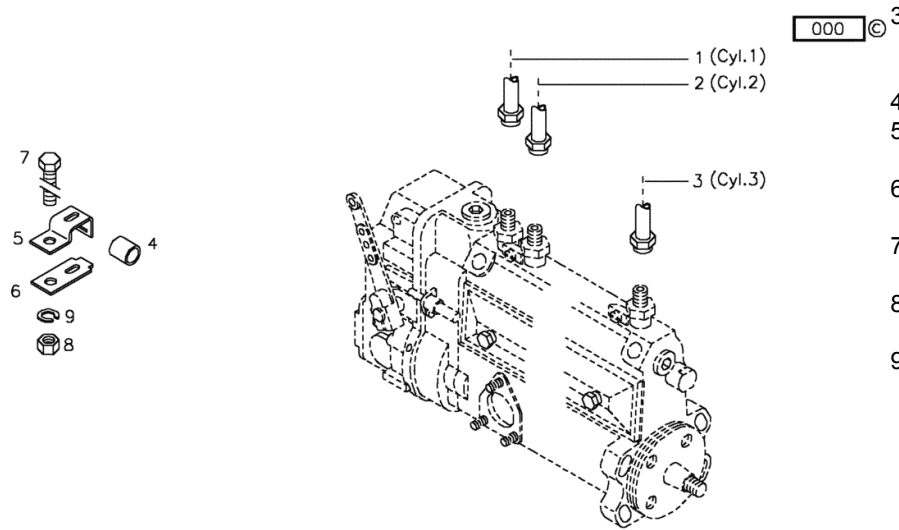
1	04157647	1	'o' ring
2	04231549	1	ring
3	04233067	1	injector
WITH ITEM ....			
(4-13)			

Section: ENGINE  
**HIGH PRESSURE PIPE**

Fig.	Code	QTY	Name
------	------	-----	------

8685938 8685939 8685940 8707960 8707961 8707962 8707963 8707964 8707965 8707966 8707967 8707968  
 8707969 8707970 8707971 8707972 8707973 8707974

1	04157478	1	tube CYL. 1.00 MM
2	04157479	1	tube CYL. 2.00 MM
3	04157480	1	tube CYL. 3.00 MM
4	03372269	3	rubber sleeve
5	01161469	1	hose clip b2x6 h3220 H 003220-B 2X 6
6	01170642	1	plate c2x6 H 003220-C 2X 6
7	01112240	1	screw m 6 x 12 ISO 004017-M 6 X 12 - 8.8-A4C
8	01112813	1	nut m 6 DIN 000934-M 6 - 8-A4C
9	01102797	1	washer 6, d128 DIN 000128-A 6 -FST -A4C

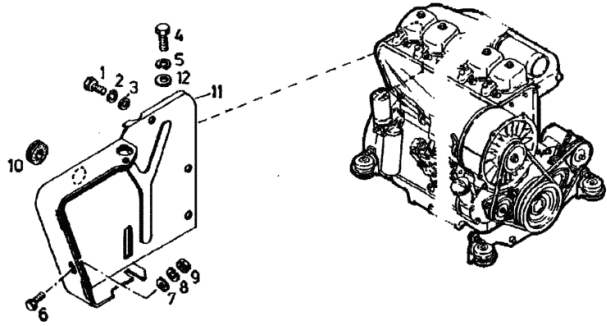


Section: ENGINE  
**AIR DUCT WALL**

Fig.	Code	QTY	Name
------	------	-----	------

8685938 8685939 8685940 8707960 8707961 8707962 8707963 8707964 8707965 8707966 8707967 8707968  
 8707969 8707970 8707971 8707972 8707973 8707974

1	01112240	1	screw m 6 x 12 ISO 004017-M 6 X 12 - 8.8-A4C
2	01102797	1	washer 6, d128 DIN 000128-A 6 -FST -A4C
3	01215850	1	washer
4	01112307	1	screw m 8 p.1.25 x 15, d933 ISO 004017-M 8 X 16 - 8.8-A4C
000 © 5	01102799	1	washer 8, d128 DIN 000128-A 8 -FST -A4C
6	01112240	1	screw m 6 x 12 ISO 004017-M 6 X 12 - 8.8-A4C
7	01107095	1	washer 6.4 DIN 000125-A 6,4-140HV-A4C
8	01102797	1	washer 6, d128 DIN 000128-A 6 -FST -A4C
9	01112813	1	nut m 6 DIN 000934-M 6 - 8-A4C
10	01167425	1	rubber bushing H 002928-D13,5 X17 X 1,5-GI DEUTZ 1
11	04157269	1	lamination
12	01107101	1	washer 8.4 DIN 000125-A 8,4-140HV-A4C



0500 3578

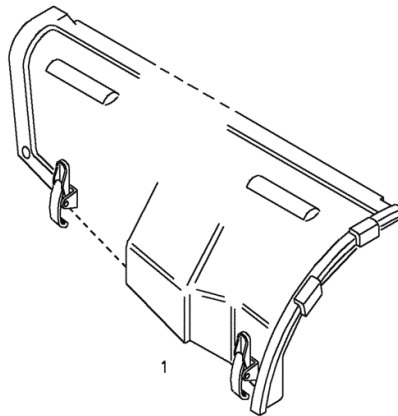
Section: ENGINE  
**COOL.AIR FEED DUCT**

Fig.	Code	QTY	Name
------	------	-----	------

**Engine Serial Numbers:**

8619290 8619291 8619292 8619293 8619294 8619295 8619296 8619297 8623683 8623684 8623685 8623686  
 8623687 8623688 8623689 8625450 8625451 8625452 8625453 8625454 8625455 8625456 8625457 8625458  
 8625459 8625460 8625461 8626714 8626715 8626716 8628657 8628658 8628659 8628660 8628661 8628662  
 8628663 8628897 8628898 8628899 8628900 8628901 8628902 8628903 8628904 8628905 8628906 8628907  
 8633440 8633441 8633442 8633443 8633444 8633445 8633446 8633447 8634919 8634920 8634921 8634922  
 8634923 8634924 8634925 8634926 8634927 8634928 8634929 8634930 8634931 8635458 8635459 8635460  
 8635824 8635825 8635826 8635827 8635828 8635829 8635830 8635831 8635832 8637093 8637094 8637095  
 8637096 8637097 8637098 8637099 8638018 8638019 8638020 8638021 8638022 8638023 8638750 8638751  
 8638752 8638753 8638754 8638755 8638756 8638757 8638758 8641161 8641162 8641163 8641182 8641183  
 8641184 8641185 8642043 8642523 8642524 8642525 8642526 8642527 8642528 8645119 8645120 8645121  
 8645122 8645123 8645124 8646063 8646064 8646065 8646066 8646067 8646068 8646069 8646070 8646071  
 8646072 8649682 8649683 8649684 8649685 8649686 8649687 8649688 8649689 8649690 8649691 8649692  
 8649693 8649694 8649695 8649696 8650235 8651143 8651144 8651145 8651146 8651147 8652085 8652086  
 8652087 8652088 8652089 8652090 8652091 8652092 8652093 8654325 8654326 8654327 8654328 8654329  
 8655093 8655094 8655095 8655096 8656002 8656003 8656004 8656005 8656006 8656007 8656008 8656009  
 8656010 8658878 8658879 8658880 8658881 8658882 8667550 8667551 8667552 8667553 8667554 8667555  
 8667556 8667557 8667944 8667945 8667946 8667947 8669291 8669292 8669293 8669294 8669295 8669296  
 8669297 8669298 8669299 8669300 8669301 8669302 8673923 8673924 8673925 8674400 8674401 8675739  
 8675740 8675741 8675742 8677387 8677388 8677389 8677390 8677391 8677392 8677393 8677394 8677395  
 8677396 8677397 8677398 8677399 8677400 8677401 8677402 8680004 8680005 8680006 8680007 8680008  
 8680009 8680010 8680011 8680012 8680013 8682185 8682186 8682187 8682188 8682189 8682190 8682191  
 8682192 8682193 8682194 8682195 8682196 8682197 8682198 8682199 8682200 8682201 8682202 8682203  
 8682204 8682205 8682206 8685932 8685933 8685934 8685935 8685936 8685937 8685938 8685939 8685940  
 8707960 8707961 8707962 8707963 8707964 8707965 8707966 8707967 8707968 8707969 8707970 8707971  
 8707972 8707973 8707974

000 ©



1	04231761	1	duct
---	----------	---	------

Section: ENGINE  
**OIL PRESSUR.SWITCH**

Fig.	Code	QTY	Name
------	------	-----	------

**Engine Serial Numbers:**

8579569 8579570 8579571 8579572 8579573 8579574 8579575 8579576 8579577 8579578 8579579 8579580  
 8579581 8579582 8579583 8579584 8579585 8579586 8579587 8579588 8579589 8579590 8579591 8579592  
 8579593 8579594 8579595 8579596 8585089 8585090 8585091 8585092 8585093 8585094 8585095 8585096  
 8585097 8585098 8585099 8585100 8585101 8585102 8585103 8585104 8585105 8585106 8585107 8585108  
 8585109 8585110 8585111 8588428 8588429 8588430 8588431 8588432 8588433 8588434 8588435 8588436  
 8588437 8591084 8591085 8591086 8591087 8591088 8592134 8592135 8592136 8592137 8592138  
 8592139 8592140 8592141 8592142 8592850 8592851 8592852 8592853 8592854 8592855 8592856 8592857  
 8592858 8592859 8592860 8592861 8594157 8594158 8594159 8594160 8594161 8594162 8594163 8596594  
 8596595 8596596 8596597 8596598 8596599 8596600 8596601 8596602 8596603 8596604 8596605 8596606  
 8596607 8596608 8596609 8596610 8596611 8596612 8596613 8596614 8596615 8596616 8596617 8596618  
 8596619 8596620 8596621 8596622 8596623 8596624 8596625 8596626 8597385 8597386 8597387 8597388  
 8597389 8597390 8597391 8597392 8597393 8597394 8597395 8597396 8597397 8597398 8597399 8603202  
 8603203 8603204 8603205 8603206 8603207 8603208 8603209 8603210 8603211 8603212 8603213 8603214  
 8603215 8603216 8603217 8603218 8605920 8605921 8610190 8619290 8619291 8619292 8619293 8619294  
 8619295 8619296 8619297 8623683 8623684 8623685 8623686 8623687 8623688 8623689 8625450 8625451  
 8625452 8625453 8625454 8625455 8625456 8625457 8625458 8625459 8625460 8626714 8626715  
 8626716 8628657 8628658 8628659 8628660 8628661 8628662 8628663 8628897 8628898 8628899 8628900  
 8628901 8628902 8628903 8628904 8628905 8628906 8628907 8633440 8633441 8633442 8633443 8633444  
 8633445 8633446 8633447 8634919 8634920 8634921 8634922 8634923 8634924 8634925 8634926 8634927  
 8634928 8634929 8634930 8634931 8635458 8635459 8635460 8635824 8635825 8635826 8635827 8635828  
 8635829 8635830 8635831 8635832 8637093 8637094 8637095 8637096 8637097 8637098 8637099 8638018  
 8638019 8638020 8638021 8638022 8638023 8638750 8638751 8638752 8638753 8638754 8638755 8638756  
 8638757 8638758 8641161 8641162 8641163 8641182 8641183 8641184 8641185 8642043 8642523 8642524  
 8642525 8642526 8642527 8642528 8645119 8645120 8645121 8645122 8645123 8645124 8646063 8646064  
 8646065 8646066 8646067 8646068 8646069 8646070 8646071 8646072 8649682 8649683 8649684 8649685  
 8649686 8649687 8649688 8649689 8649690 8649691 8649692 8649693 8649694 8649695 8649696 8650235  
 8651143 8651144 8651145 8651146 8651147 8652085 8652086 8652087 8652088 8652089 8652090 8652091  
 8652092 8652093 8654325 8654326 8654327 8654328 8654329 8655093 8655094 8655095 8655096 8656002  
 8656003 8656004 8656005 8656006 8656007 8656008 8656009 8656010 8658878 8658879 8658880 8658881  
 8658882 8667550 8667551 8667552 8667553 8667554 8667555 8667556 8667557 8667944 8667945 8667946  
 8667947 8669291 8669292 8669293 8669294 8669295 8669296 8669297 8669298 8669299 8669300 8669301  
 8669302 8673923 8673924 8673925 8674400 8674401 8675739 8675740 8675741 8675742 8677387 8677388  
 8677389 8677390 8677391 8677392 8677393 8677394 8677395 8677396 8677397 8677398 8677399 8677400  
 8677401 8677402 8680004 8680005 8680006 8680007 8680008 8680009 8680010 8680011 8680012 8680013  
 8682185 8682186 8682187 8682188 8682189 8682190 8682191 8682192 8682193 8682194 8682195 8682196  
 8682197 8682198 8682199 8682200 8682201 8682202 8682203 8682204 8682205 8682206 8685932 8685933  
 8685934 8685935 8685936 8685937 8685938 8685939 8685940 8707960 8707961 8707962 8707963 8707964  
 8707965 8707966 8707967 8707968 8707969 8707970 8707971 8707972 8707973 8707974

000 ©

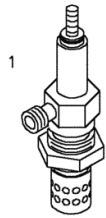


1	01181549	1	pressure switch H 821021-DA2-0,4/0,3 -0,5 -GELB
---	----------	---	--

**FLAME GLOW PLUG**

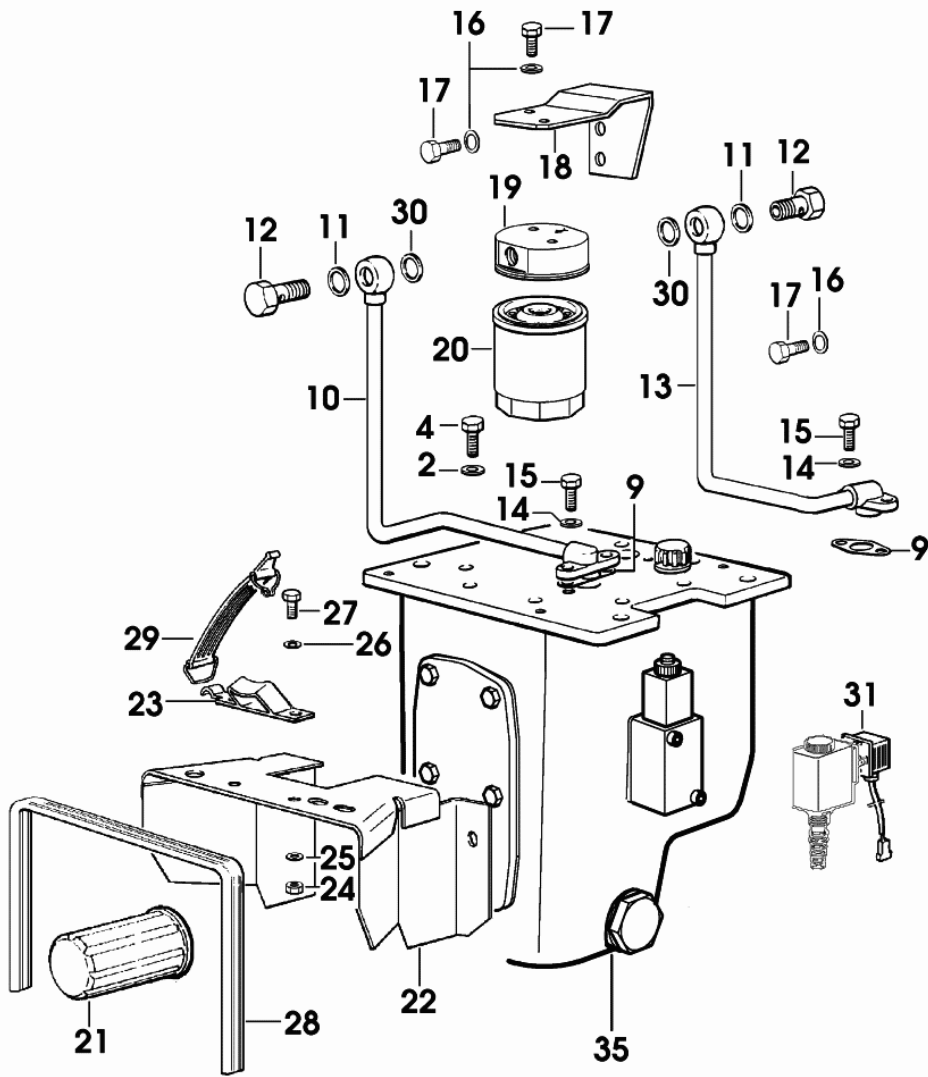
Fig.	Code	QTY	Name
8685938 8685939 8685940 8707960 8707961 8707962 8707963 8707964 8707965 8707966 8707967 8707968 8707969 8707970 8707971 8707972 8707973 8707974			
1	01179702	1	glow plug H 824608-FV 11V R240

000 ©



**P.T.O. FRONT**

Fig.	Code	QTY	Name
------	------	-----	------

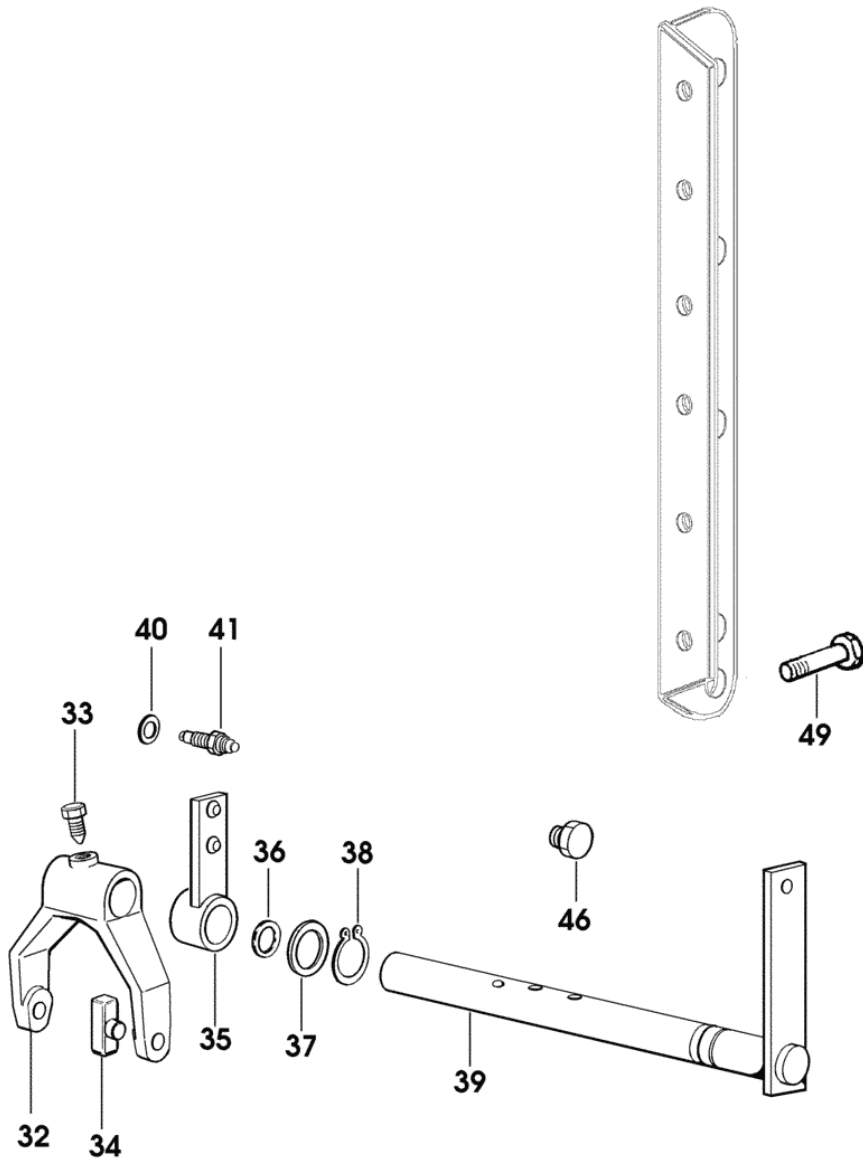


- > (...) X Agroplus 60
- > (...) X Agroplus 70
- > (...) X Agroplus 80
- COMPONENT PARTS SEE COMPONEN
- ☞ 0.011.9177.4/40
- ☞ 0.011.9177.4/40
- ☞ 0.011.9177.4/40
- ☞ 2.3729.400.0
- ☞ 05.00.24
- ☞ 05.00.23
- ☞ 05.00.22

9\_64859\_86\_0\_0

**P.T.O. - 540 -1000 WITH INSERTED END SHAFTS**

Fig.	Code	QTY	Name
32	0.010.0468.0	1	fork
33	2.0399.019.1	2	screw m 8 p.1 x 16
34	0.255.6463.0	2	shoe
35	0.009.6597.3/20	2	lever
36	2.1530.028.0	1	'o' ring 11.91 x 2.62
37	2.1311.010.2	1	flat washer 16
38	2.1410.004.2	1	circlip 16
39	0.009.7068.2/30	1	lever
40	2.1560.003.0	6	gasket 8.2 x 12
41	2.7659.131.0	2	switch
46	2.3110.428.1	1	plug m 8 p.1 x 10
49	2.0112.622.2	12	screw m 16 p.2x65

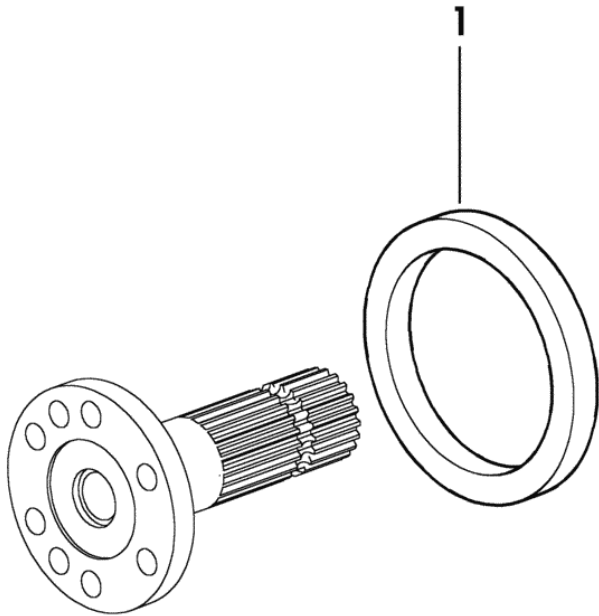


9\_18336\_14\_0\_C

**PTO - SEAL RING FOR INSERTED END SHAFT - STANDARD VERSION**

9\_52636\_03\_0\_0

Fig.	Code	QTY	Name
1	2.1520.043.0	1	oil seal 85 x 110 x 12



# Agroplus 60

## FRONT AXEL

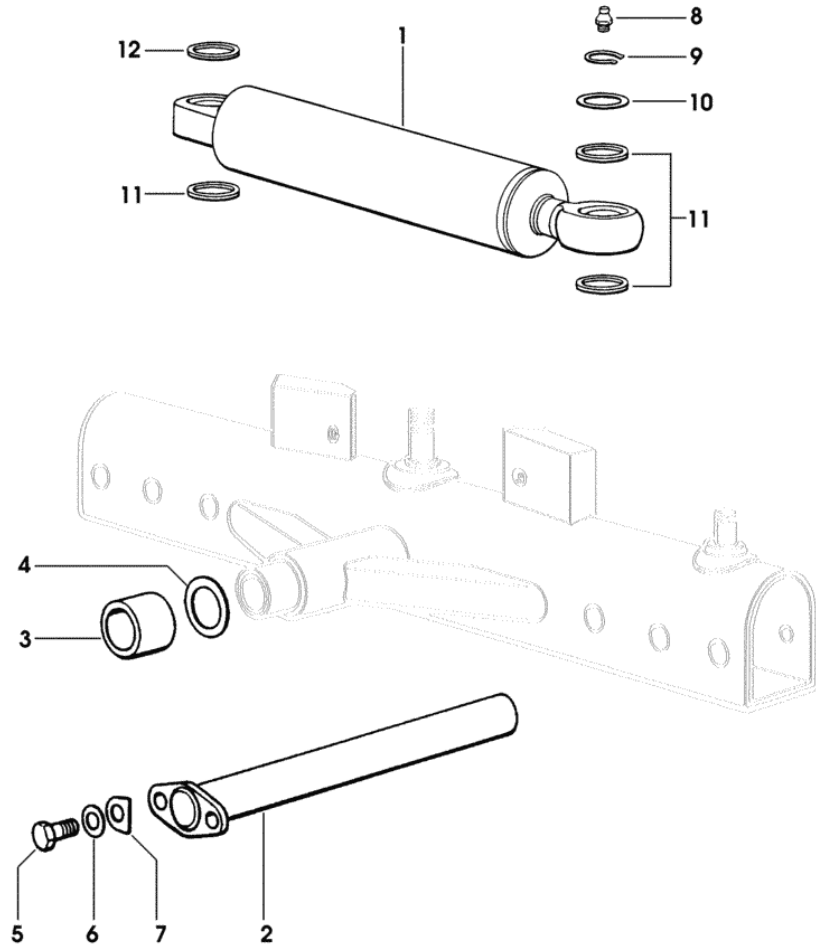
### GENERAL

FRONT SUPPORT.....	04.00.1
FRONT SUPPORT - FOR MODELS EQUIPPED WITH FRONT P.T.O.....	04.00.2
4WD - PLUGS FOR FRONT SUPPORT.....	04.00.3
2WD - FRONT SUPPORT.....	04.00.4
4WD - FRONT SUPPORT.....	04.00.5
FRONT SUPPORT.....	04.00.6
2WD - EXTENDIBLE AXLE.....	04.00.7
2WD - EXTENDIBLE FRONT AXLE WITHOUT FRONT BRAKES.....	04.00.8
2WD - EXTENDIBLE FRONT AXLE WITH FRONT BRAKES.....	04.00.9
2WD - POWER STEERING CYLINDER.....	04.00.10
4WD - POWER STEERING CYLINDER.....	04.00.11
4WD - DOUBLE CYLINDER - STEERING.....	04.00.12
4WD - FRONT DRIVE AXLE.....	04.00.13
4WD - FRONT AXLE WITHOUT FRONT LIFT.....	04.00.14
4WD - FLANGE.....	04.00.15
4WD - DIFFERENTIAL LOCK CONTROL-ELECTROHYDRAULIC.....	04.00.16
4WD - DIFFERENTIAL LOCK CONTROL-FRONT.....	04.00.17
BEVEL WHEEL GEAR Z = 15 / Z = 33.....	04.00.18
4WD - DIFFERENTIAL LOCK CONTROL-ELECTROHYDRAULIC.....	04.00.19
4WD - FRONT REDUCTION GEARBOX.....	04.00.20
4WD - STANDARD SEALING.....	04.00.21
4WD - WATER PROOF SEALING.....	04.00.22
4WD - AXLESHAFTS.....	04.00.23
FRONT WHEEL HUB COVER.....	04.00.24
4WD - TRANSMISSION SHAFT.....	04.00.25
2WD - FRONT BRAKING SYSTEM.....	04.00.27
4WD - FRONT BRAKES.....	04.00.29
4WD - FRONT BRAKES.....	04.00.31
4WD - ELECTROHYDRAULIC ENGAGEMENT CONTROL.....	04.00.32
4WD - ENGAGEMENT CONTROL - STANDARD SEALS.....	04.00.33
4WD - ENGAGEMENT CONTROL - WATERPROOF SEALS.....	04.00.34
4WD - ENGAGEMENT CONTROL.....	04.00.35
2WD - COMPLETION KIT WITHOUT SOLENOID VALVE.....	04.00.36
DIFFERENTIAL LOCK CONTROL.....	04.00.37

Section: FRONT AXEL  
**2WD - POWER STEERING CYLINDER**

9\_64842\_08\_0\_0

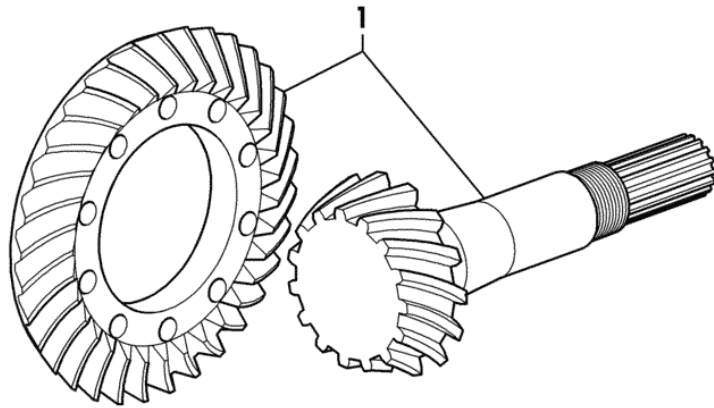
Fig.	Code	QTY	Name
1	0.010.1235.4/10	1	cylinder COMPONENT PARTS SEE COMPONENTS LIST ☞ 0.010.1235.4/10 ☞ 04.00.10
2	0.007.7383.3	1	pin
3	2.1549.273.2	1	spacer
4	2.1599.062.0	2	snoulder 36x54x4
5	2.0112.411.2	2	screw m 12 p.1.75 x 30
6	2.1470.007.2	2	lock washer 12
7	0.135.4259.0	8	shim mm 0.20
8	2.3821.301.2	2	lubricator
9	2.1410.006.1	2	circlip 20
10	2.1599.272.0	2	snoulder 21x34.5x2
11	2.1569.125.0	3	gasket 23x35x6
12	2.1569.079.0	1	gasket



**BEVEL WHEEL GEAR Z = 15 / Z = 33**

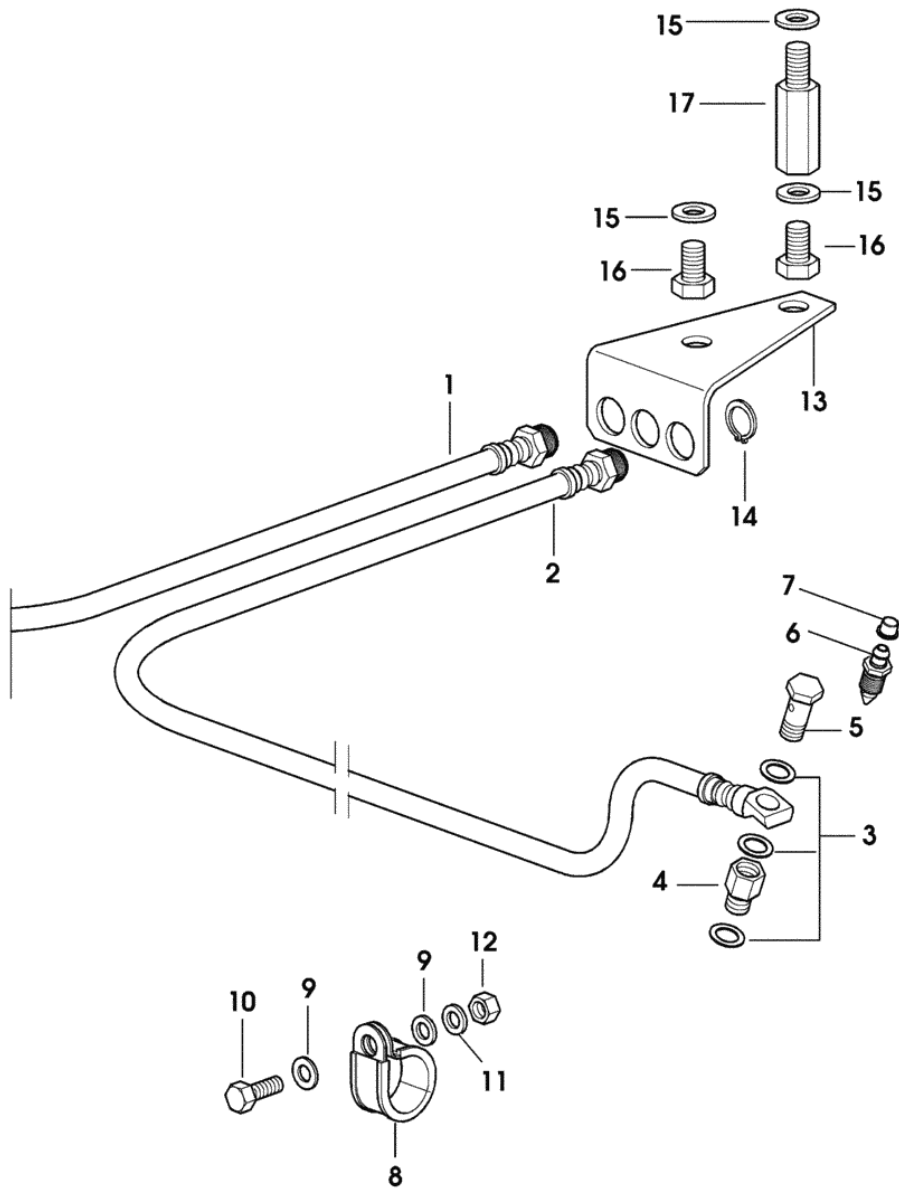
9\_64846\_02\_0\_0

Fig.	Code	QTY	Name
1	0.010.4891.3	1	bevel gear Z = 15 / Z = 33



Section: FRONT AXEL  
**4WD - FRONT BRAKES**

Fig.	Code	QTY	Name
1	0.010.6301.3	1	tube dx/rh/re
2	0.010.6303.3	1	tube sx/lh/li
3	2.1560.008.0	6	gasket 12.2 x 18
4	2.3249.029.2	2	pipe fitting m 12 p.1,25x26.5
5	2.3339.431.2/10	2	pipe union m 12 p.1.25x21
6	0.170.5455.0	2	valve
7	2.3199.039.0	2	plug 6.50 x 7.25
8	2.6839.055.0	4	clamp Ø 11 / 20
9	2.1310.004.2	4	flat washer 8.5
10	2.0112.215.2	2	screw m 8 p.1.25 x 40
11	2.1470.004.2	2	washer 8
12	2.1011.105.2	2	nut m 8 p.1.25
13	0.010.0279.0/10	1	bracket
14	2.1410.004.2	2	circlip 16
15	2.1470.007.2	3	lock washer 12
16	2.0112.407.2	2	screw m 12 p.1.75 x 20
17	0.010.0281.0	1	small column



9\_68366\_02\_0\_0

Section: FRONT HYDRAULIC POWER-LIFT  
**FRONT HYDRAULIC POWER-LIFT**

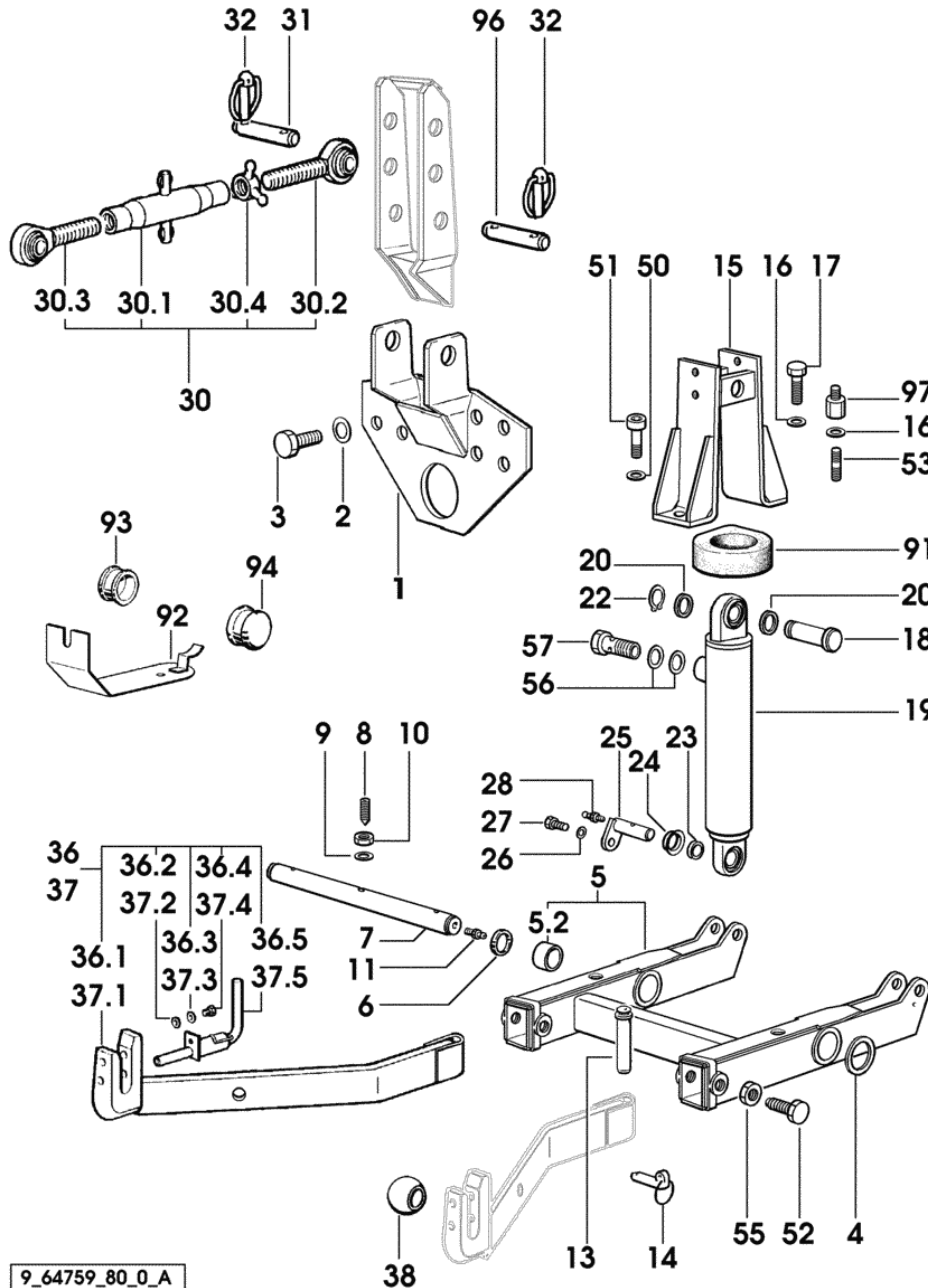
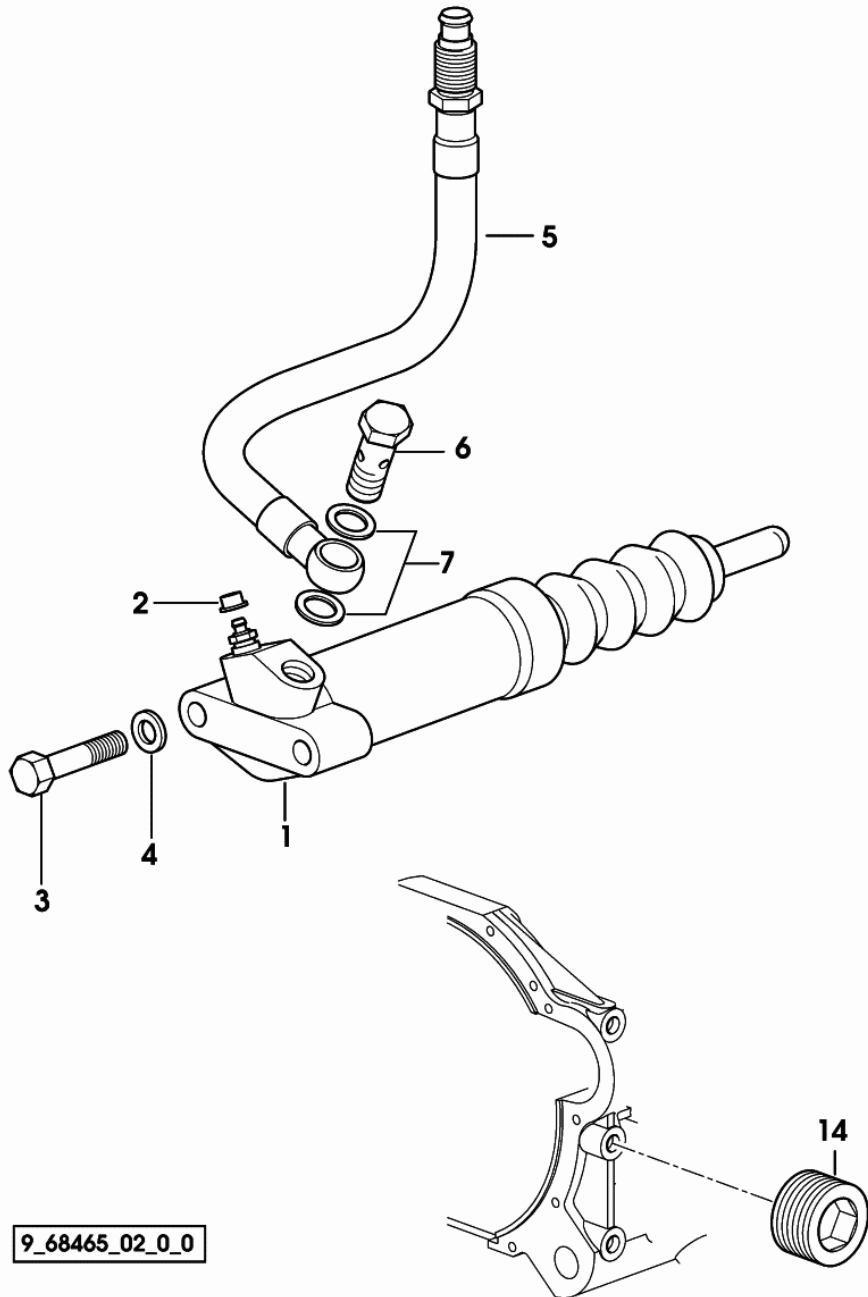


Fig.	Code	QTY	Name
1	0.009.7479.2/20	1	plate
2	2.1310.009.2	6	flat washer 14
3	2.0112.513.2	6	screw m 14 p.2 x 35
4	2.1549.244.0/10	2	spacer 51x68x5
5	0.007.7101.3/20	1	support
5.2	2.1559.354.0	2	bushing
6	2.1514.053.0	2	oil seal 45x55x4
7	0.007.6983.0/10	1	shaft
8	2.0599.079.2	1	screw m 12x1.25x50
9	2.1310.007.2	1	flat washer 13.5
10	2.1011.422.2	1	nut m 12 p.1.25
11	2.3820.105.2	2	lubricator m 10 p.1 x 7
13	0.007.3708.0	2	pin
14	0.010.9322.4	2	pin Ø 11
15	0.007.7099.2/20	2	bracket
16	2.1475.003.2	4	washer 10
17	2.0112.310.2	2	screw m 10 p.1.5x28
18	2.1699.271.0	2	pin
19	0.275.6342.4	2	jack
			COMPONENT PARTS SEE COMPONENTS LIST
			☞ 0.275.6342.4
			☞ 0C.00.93
20	2.1569.125.0	4	gasket 23x35x6
22	2.1410.006.1	2	circlip 20
23	2.1579.739.0	4	spacer 21x25x10
24	0.270.6351.0	4	guard
25	0.007.5424.2/10	2	pin
26	2.1470.004.2	2	washer 8
27	2.0112.205.2	2	screw m 8 p.1.25 x 16
28	2.3820.105.2	2	lubricator m 10 p.1 x 7
30	0.96079.13.4/10	1	3 point hitch
30.1	0.96018.13.3	1	sleeve
30.2	0.96044.14.3	1	rod dx/rh/re
30.3	0.760.3515.3	1	rod sx/lh/li
30.4	0.96014.57.0	1	wing nut m 27 p.3
31	2.1669.024.2	2	pin 25.4 x 133
32	0.010.9322.4	6	pin Ø 11
36	0.007.6659.4/10	1	right hand arm dx/rh/re
36.1	0.000.0000.1	0	not serviceable
36.2	2.1310.004.2	1	flat washer 8.5
36.3	2.1470.004.2	1	washer 8
36.4	2.0112.207.2	1	screw m 8 p 1.25 x 20
36.5	0.009.8357.3/20	1	clevis

9\_64759\_80\_0\_A

Section: GEAR  
**CLUTCH CONTROL**

Fig.	Code	QTY	Name
1	0.007.1961.4/20	1	cylinder COMPONENT PARTS SEE COMPONENTS LIST ☞ 0.007.1961.4/20 ☞ 02.00.4
2	2.3199.039.0	1	plug 6.50 x 7.25
3	2.0112.215.2	2	screw m 8 p.1.25 x 40
4	2.1470.004.2	2	washer 8
5	0.010.6415.3	1	tube
6	2.3332.003.2	1	pipe union m 12 p.1.25 x 23
7	2.1560.008.0	2	gasket 12.2 x 18
14	2.3131.052.2	1	plug m 32 p.1.5



9\_68465\_02\_0\_0

Section: GEAR

**SUPPORTS FOR CLASS "D" TOWING HITCH**

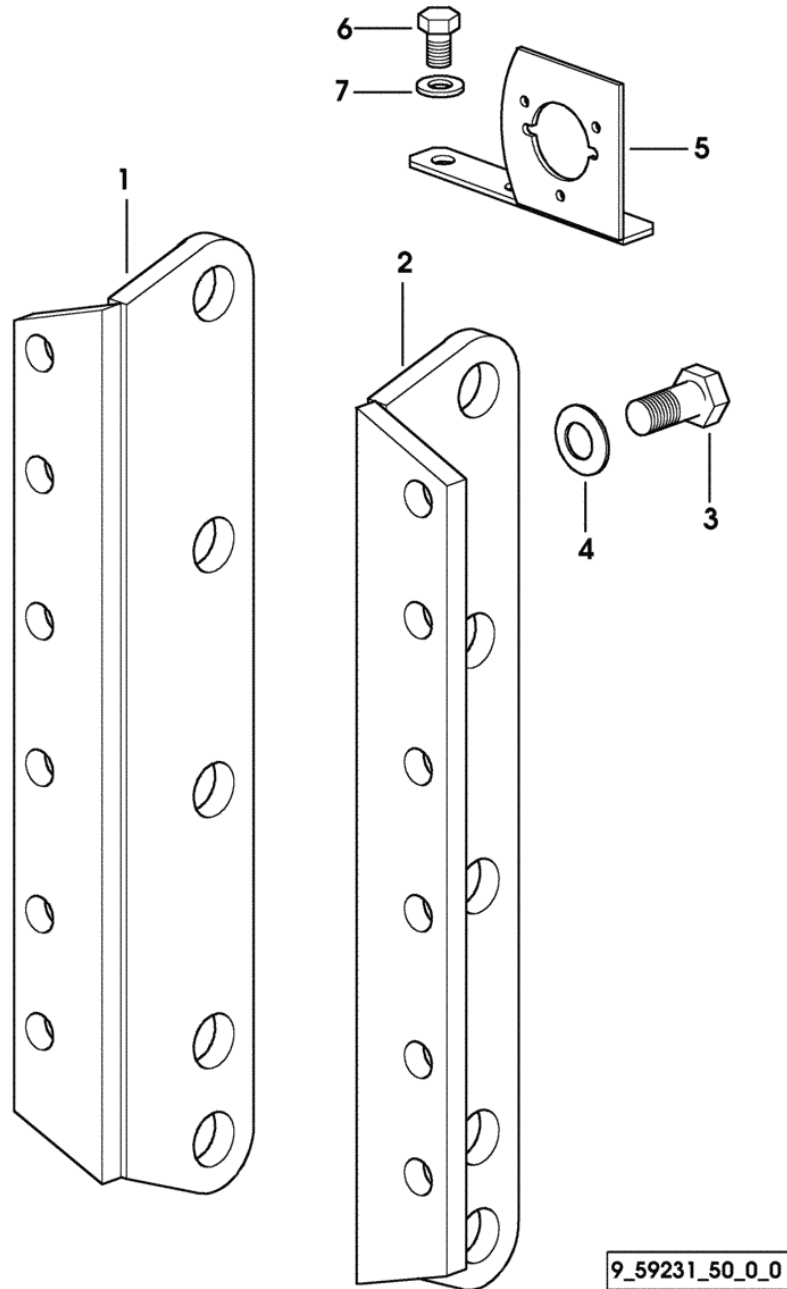


Fig.	Code	QTY	Name
1	0.010.0337.2/20	1	support dx/rh/re
2	0.010.0338.2/20	1	support sx/lh/li
3	2.0112.615.2	12	screw m 16 p.2 x 40
4	2.1475.006.2	12	washer 16
5	0.010.0190.2	1	support
6	2.0112.307.2	2	screw m 10 p.1.5 x 20
7	2.1474.010.2	2	washer 10

9\_59231\_50\_0\_0

Section: GEAR

**GEAR CHANGE BOX 5 SPEED - FOR SYNCHROPLIT TYPES**

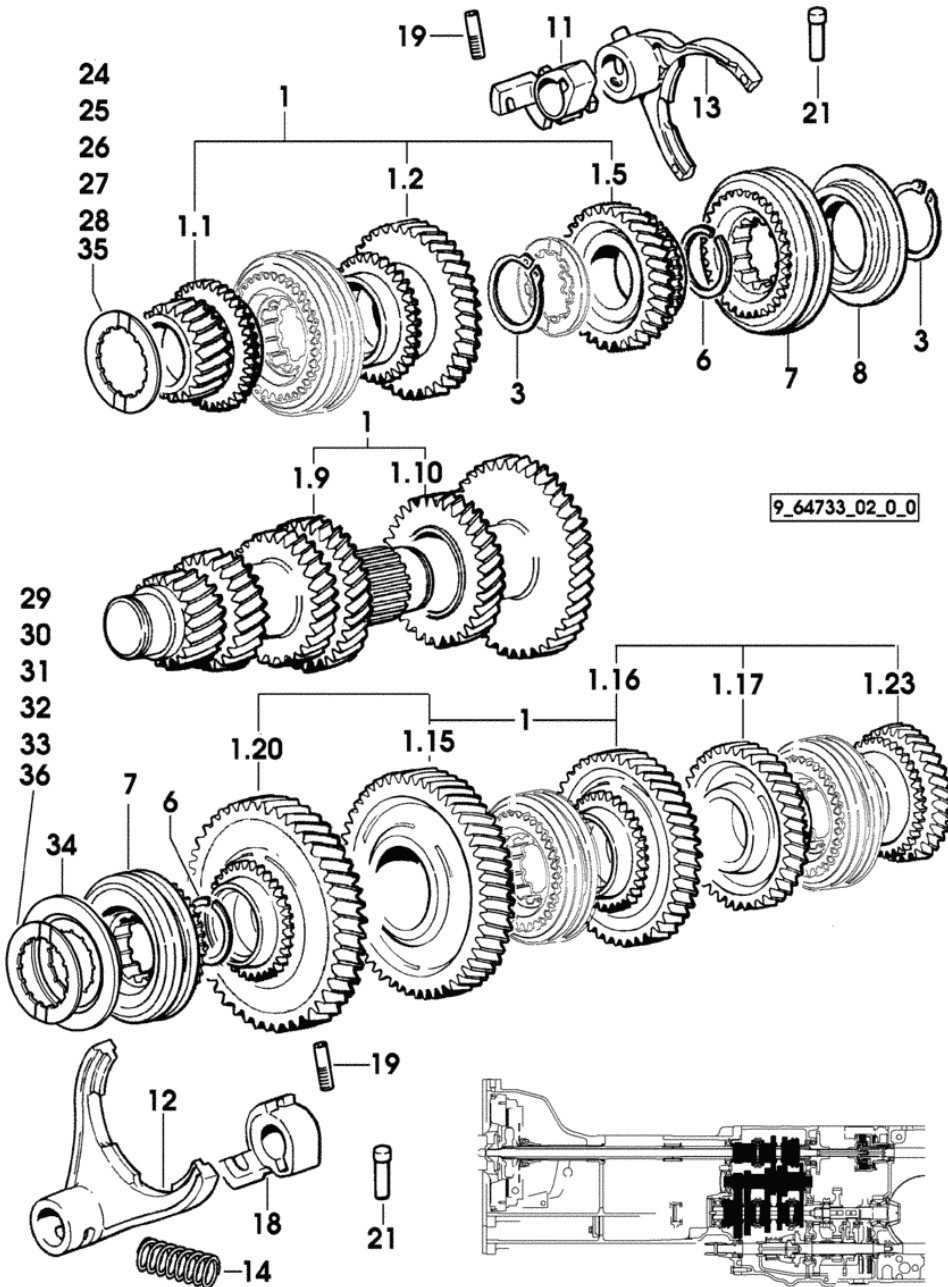
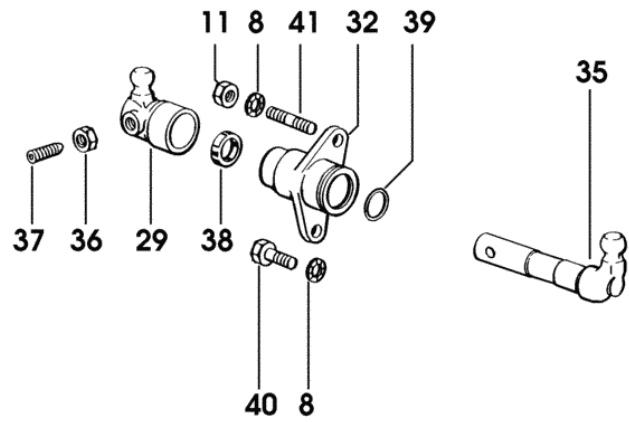
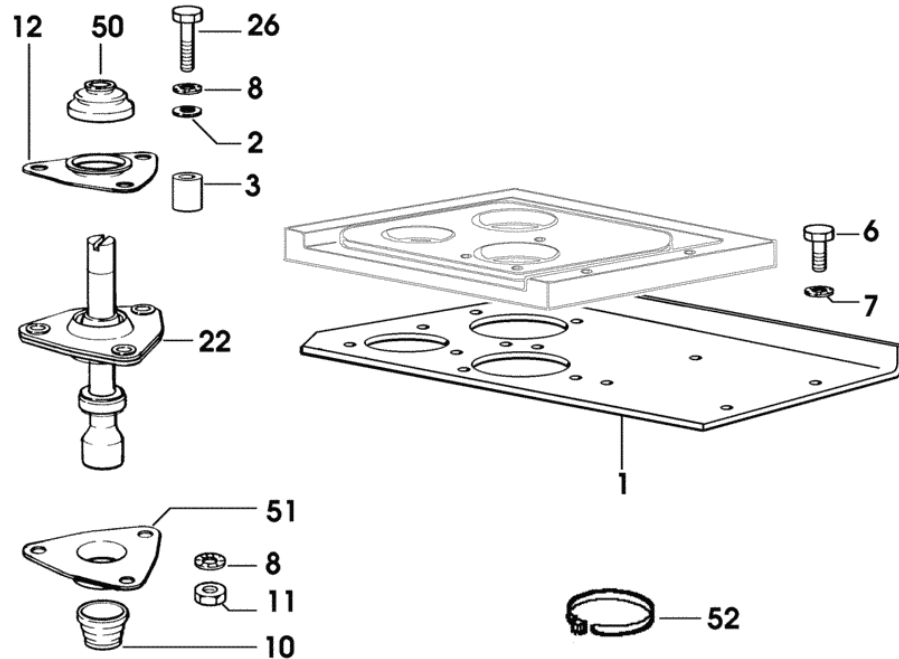


Fig.	Code	QTY	Name
1	0.000.0000.1	0	not serviceable
1.1	0.008.5128.0/40	1	gear Z = 23
1.2	0.008.5129.0/40	1	gear z=36 z=37
1.5	0.008.5145.0/30	1	gear z=34
1.9	0.008.5105.0/20	1	main shaft Z = 19 / 23 / 29 / 35
1.10	0.008.5101.0/20	1	gear z=32 z=41
1.15	0.008.5117.0/30	1	gear Z = 50
1.16	0.008.5098.0/40	1	gear Z = 44
1.17	0.008.5099.0/40	1	gear Z = 38
1.20	0.008.5107.0/40	1	gear Z = 59
1.23	0.008.5100.0/30	1	gear Z = 32
3	2.1410.017.1	2	circlip 42
6	2.1422.029.7	2	circlip 40 x 1.5
7	0.009.6826.4	2	lock synchronizer 62 COMPONENT PARTS SEE COMPONENTS LIST ☞ 0.009.6826.4 ☞ 02.00.7
8	0.008.5501.0/40	1	ring
11	0.008.5151.0/30	1	hub
12	0.009.6749.0	1	fork # 1
13	0.009.6748.0	1	fork
14	2.4019.566.1/10	1	spring
18	0.008.5198.0/40	1	hub
19	2.0599.086.0/40	2	grain m 8 p.1.25 x 28
21	0.008.5994.0/10	2	pin
24	0.008.0251.0	1	shim 39 x 64 x 2.65
25	0.010.0629.0	0	shim 39 x 64 x 2.85
26	0.010.0630.0	0	shim 39 x 64 x 3.05
27	0.010.0631.0	0	shim 39 x 64 x 3.25
28	0.010.0632.0	0	shim 39 x 64 x 3.45
29	0.008.0251.0	1	shim 39 x 64 x 2.65
30	0.010.0629.0	0	shim 39 x 64 x 2.85
31	0.010.0630.0	0	shim 39 x 64 x 3.05
32	0.010.0631.0	0	shim 39 x 64 x 3.25
33	0.010.0632.0	0	shim 39 x 64 x 3.45
34	0.010.1523.0/10	1	ring
35	0.011.8668.0	0	shim 39x64x2.45
36	0.011.8668.0	0	shim 39x64x2.45

**REVERSING GEAR UNIT CONTROL**

Fig.	Code	QTY	Name
1	0.009.9669.0/50	1	support
2	2.1310.004.2	12	flat washer 8.5
3	2.1549.225.2	3	spacer 8.5x18x32
6	2.0312.308.2	4	screw m 10 p.1.5 x 25
7	2.1470.006.2	4	lock washer 10
8	2.1475.002.2	33	conical washer 8
10	0.007.7692.0/10	4	guard
11	2.1011.105.2	13	nut m 8 p.1.25
12	0.007.6981.0/10	4	support
22	0.007.7684.3/40	1	gear lever
26	2.0112.222.2	3	screw m 8 p.1.25x65
29	0.009.9675.3/10	1	lever
32	0.008.5414.0/10	1	support
35	0.009.7237.0/10	1	lever
36	2.1011.406.2	3	nut m 10 p.1
37	2.0399.050.2	3	screw m 10 p.1 x 30
38	2.1520.006.0	3	oil seal 20 x 30 x 7
39	2.1530.091.0	3	'o' ring 34.60 x 2.62
40	2.0112.207.2	8	screw m 8 p 1.25 x 20
41	2.0432.003.7	1	stud bolt m 8 p.1.25 / p.1 x 20
50	0.008.5961.0	4	guard
51	0.007.7693.0/10	4	cap-washer
52	0.98503.67.0	4	clamp

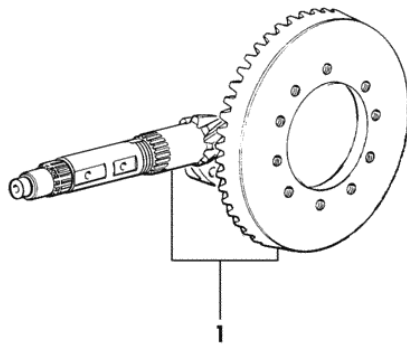


9\_64864\_00\_0\_A

**BEVEL WHEEL GEAR - 30Km/h**

Fig.	Code	QTY	Name
1	0.008.5474.3/50	1	bevel gear z=8 z=39

9\_64735\_01\_0\_0



**REAR REDUCTION GEARS AND AXLE SHAFTS**

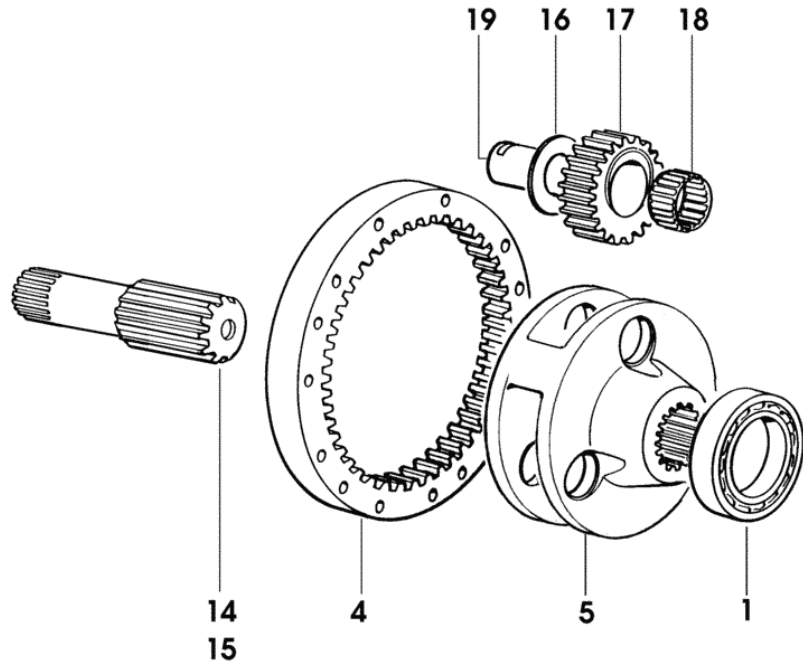
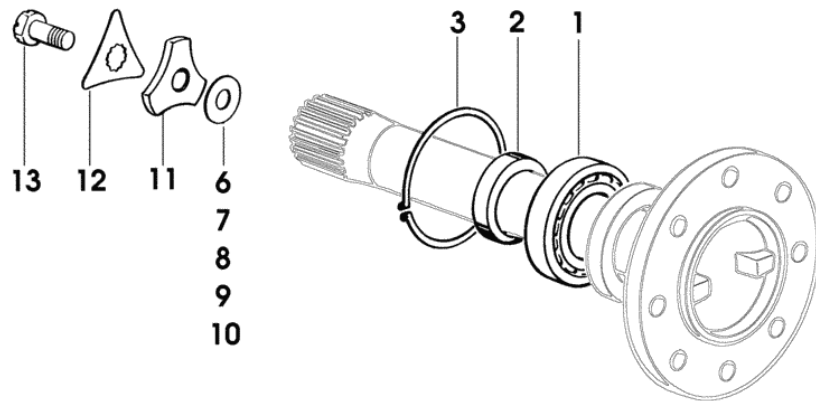


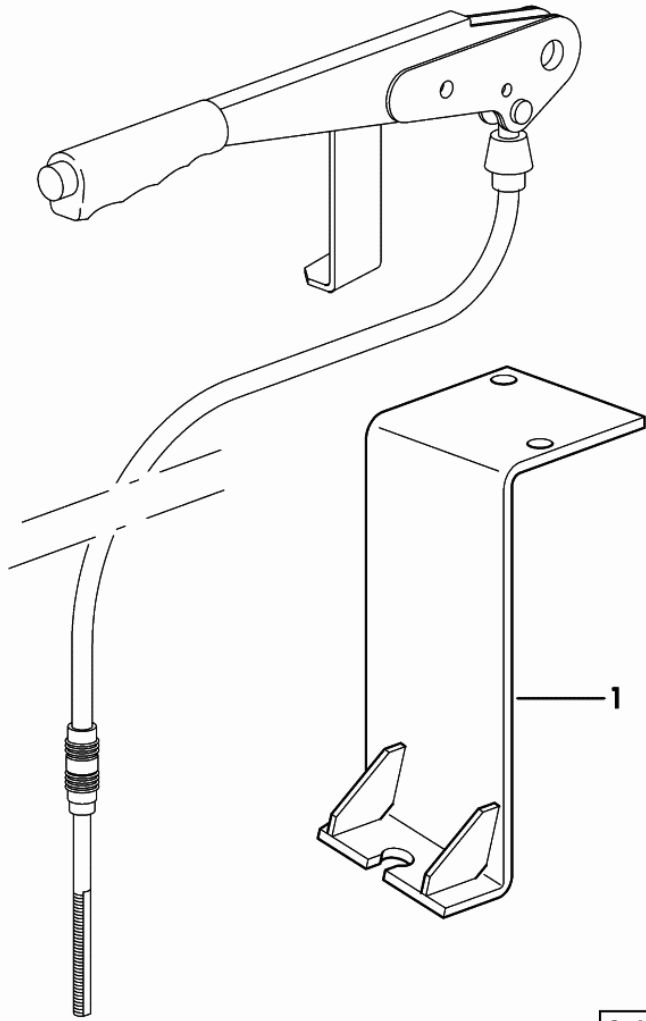
Fig.	Code	QTY	Name
1	2.2520.012.0	4	roller bearing 55 x 100 x 22.75
2	2.1510.329.0	2	oil seal 55 x 80 x 10
3	2.1410.041.1	2	circlip Ø 105
4	0.008.5160.0/10	2	bevel ring gear Z = 69
5	0.009.7143.0	2	box
6	2.1589.106.0	6	snoulder 14.5 x 41 x 1.0
7	2.1589.107.0	2	snoulder 14.5 x 41 x 0.5
8	2.1589.108.0	2	snoulder 14.5 x 41 x 0.2
9	2.1589.109.0	2	snoulder 14.5 x 41 x 0.1
10	2.1589.246.0	2	snoulder 14.5 x 41 x 0.15
11	0.008.5604.0	2	spacer
12	0.008.5605.0	2	washer
13	2.0139.014.1	2	screw m 14 p.1.5 x 33
14	0.009.7205.0/10	1	half-shaft sx/lh/li
15	0.009.7206.0/10	1	half-shaft dx/rh/re
16	2.1599.712.0	12	snoulder 30.2 x 55 x 1.0
17	0.009.7145.0	6	planet gear Z = 28
18	2.2999.307.0	6	roller cage 30 x 44 x 52
19	0.009.7144.0	6	pin



9\_64847\_00\_0\_0

Section: REAR AXLE  
**BRACKET FOR HANDBRAKE**

Fig.	Code	QTY	Name
1	0.009.7116.2	1	bracket



9\_64866\_21\_0\_0

Section: S.A.C.

**INTERNAL CONTROLS**

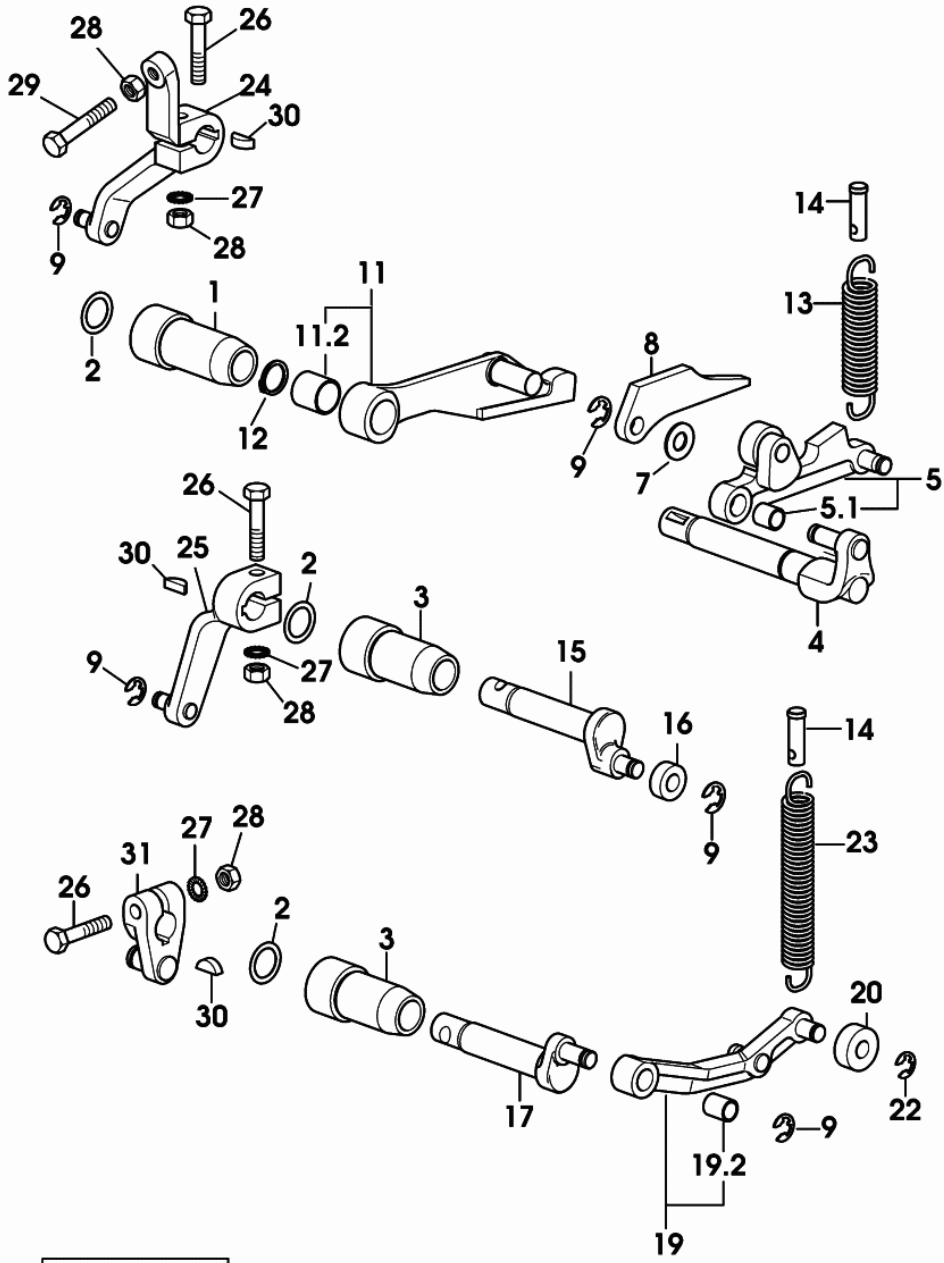


Fig.	Code	QTY	Name
1	0.001.3659.0	1	bushing
2	2.1530.034.0	3	'o' ring 13.95x2.62
3	0.9104.425.0	2	bushing
4	0.009.2389.3/10	1	pin
5	0.009.2390.3/20	1	lever
5.1	2.1555.004.0	1	bushing 8x10x10
7	2.1310.004.2	1	flat washer 8.5
8	0.009.2391.0/10	1	lever
9	2.1430.008.7	5	circlip 7
11	0.009.2392.3	1	lever
11.2	2.1555.207.0	1	bushing 14x16x15
12	2.1410.003.1	1	circlip 14
13	2.4049.178.1/10	1	spring
14	0.9000.562.0	2	pin
15	0.9104.441.0	1	pin
16	0.001.3702.0	1	roller
17	0.009.2393.0/10	1	pin
19	0.009.2848.3	1	lever
19.2	2.1555.104.0	1	bushing 8x10x12
20	0.001.3702.0	1	roller
22	2.1430.007.7	1	circlip 6, d128
23	2.4049.183.1	1	spring
24	0.009.2394.3/10	1	lever
25	0.009.2395.3/20	1	lever
26	2.0112.011.2	3	screw m 6 p.1x30
27	2.1470.002.2	3	washer 6, d128
28	2.1011.103.2	4	nut m 6 p.1
29	2.0114.013.2	1	screw m 6 p.1 x 35
30	2.1720.005.0	3	key 4x5
31	0.009.2398.3/20	1	lever

9\_58959\_41\_0\_0

**S.A.C. GROUND CONTROL**

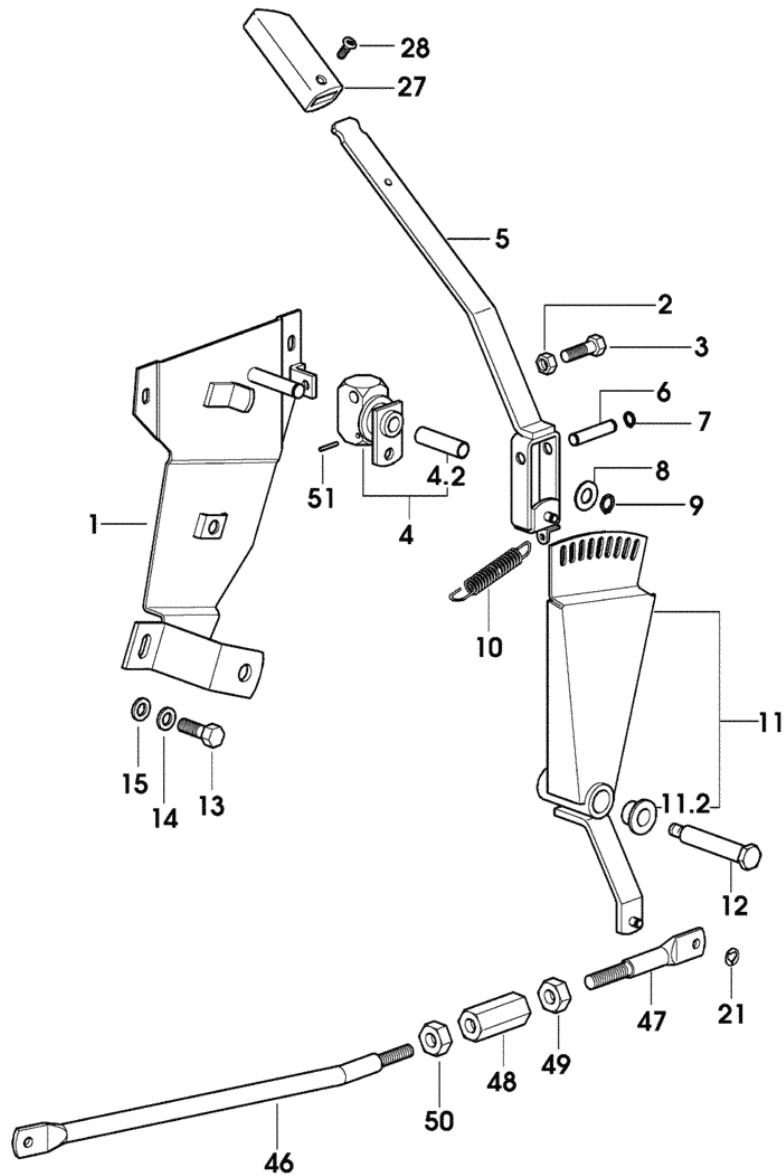


Fig.	Code	QTY	Name
1	0.010.7347.2/10	1	plate
2	2.1011.103.2	1	nut m 6 p.1
3	2.0112.009.2	1	screw m 6 p.1 x 25
4	0.011.0841.3	1	hub
4.2	2.1559.258.0/10	1	bushing 12x16x38
5	0.010.7346.3/20	1	lever
6	2.1699.488.2	1	pin
7	2.1410.001.1	2	circlip 10
8	2.1310.007.2	1	flat washer 13.5
9	2.1410.002.1	1	circlip 12
10	2.4049.155.2	1	spring 19.4x59x2.2
11	0.010.7348.3/20	1	lever
11.2	2.1559.213.0	2	bushing 15.2 x 20 x 15
12	0.010.4215.0/10	1	plate m 10x1.25x94
13	2.0112.207.2	1	screw m 8 p 1.25 x 20
14	2.1470.004.2	1	washer 8
15	2.1310.004.2	1	flat washer 8.5
21	2.1430.007.2	2	circlip 6, d128
27	0.010.5312.0	1	knob
28	2.0322.406.6	1	screw m 6 p.1.0 x 16
46	0.011.0812.2	1	rod
47	0.011.0811.2	1	rod
48	2.1099.147.2	1	nut m 12
49	2.1019.139.2	1	nut m 12 - sx/lh/li
50	2.1011.107.2	1	nut m 12 p.1.75
51	2.1630.210.9	2	pin 3 x 20

**PIPES FOR HYDROSTATIC STEERING**

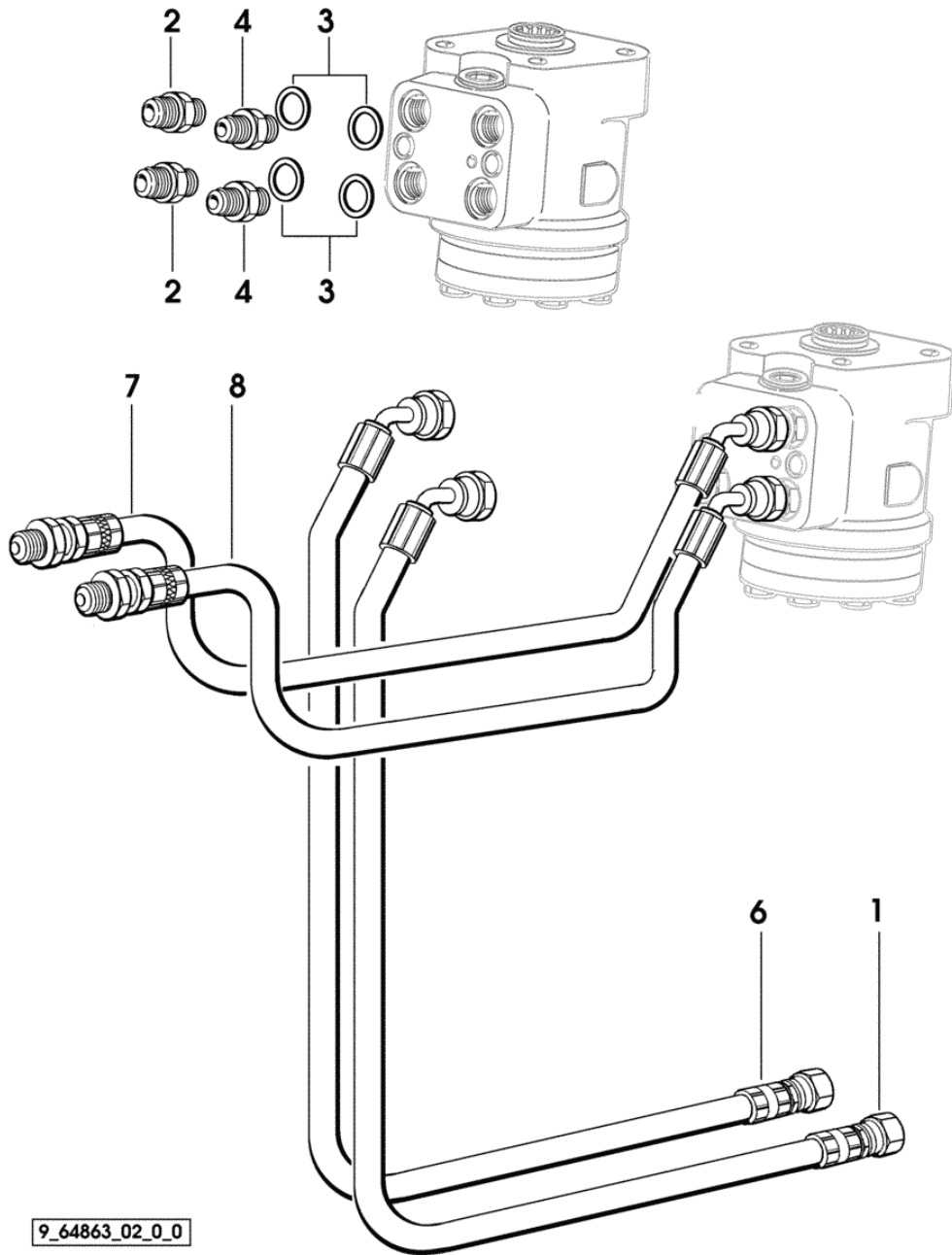


Fig.	Code	QTY	Name
1	0.009.7350.3/10	1	tube
2	2.3261.009.2	2	pipe fitting m 18 p.1.5-3/4"
3	2.1560.014.0	4	gasket 18.2 x 24 x 1.5
4	2.3339.395.2/10	2	pipe fitting m 18 p.1.5-9/16"
6	0.009.7353.3/10	1	exhaust
7	0.010.0317.3	1	tube sx/lh/li
8	0.010.0318.3	1	tube dx/rh/re

9\_64863\_02\_0\_0

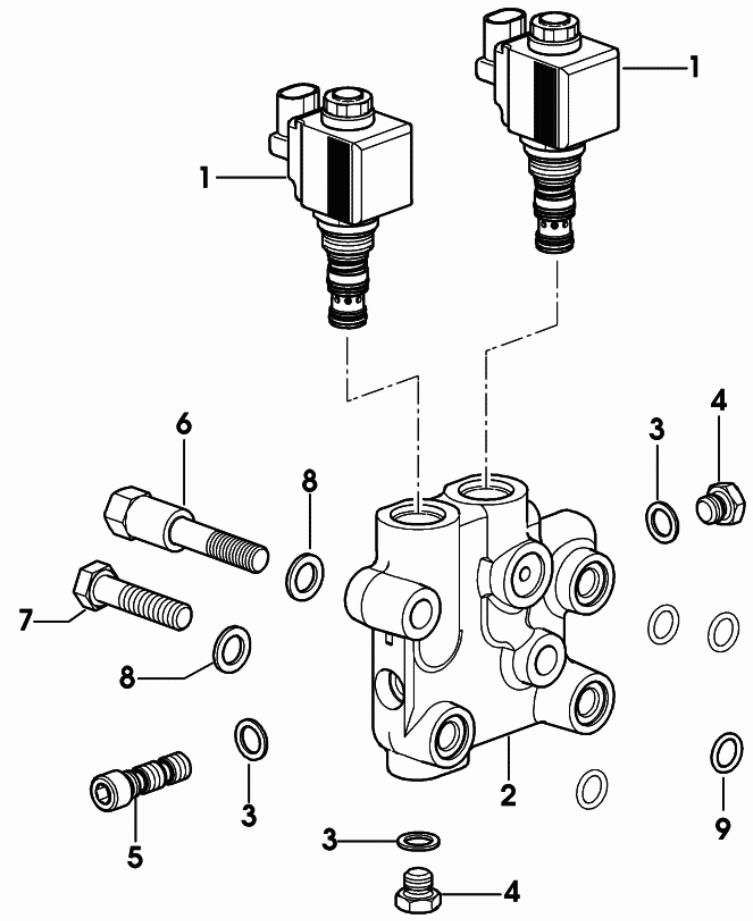
**DRIVE - FOR POWERSHIFT TYPES**

Fig.	Code	QTY	Name
------	------	-----	------

**Notes:**

-> 1528 X Agroplus 60 -> 4397 X Agroplus 70 -> 1776 X Agroplus 80

1	2.3729.697.0	2	electro valve 13V - 20W COMPONENT PARTS SEE COMPONENTS LIST ☞ 2.3729.697.0 ☞ 06.00.18
2	0.009.9964.3/20	1	valve body
3	2.1560.008.0	3	gasket 12.2 x 18
4	2.3110.402.2	2	plug m 12 p.1.5
5	0.009.2085.4/10	1	valve
6	2.0399.224.2/10	1	screw m 12 p.1.75
7	2.0112.419.2	1	screw m 12 p.1.75 x 50
8	2.1470.007.2	2	lock washer 12
9	2.1531.037.0	4	'o' ring 15.08x2.62



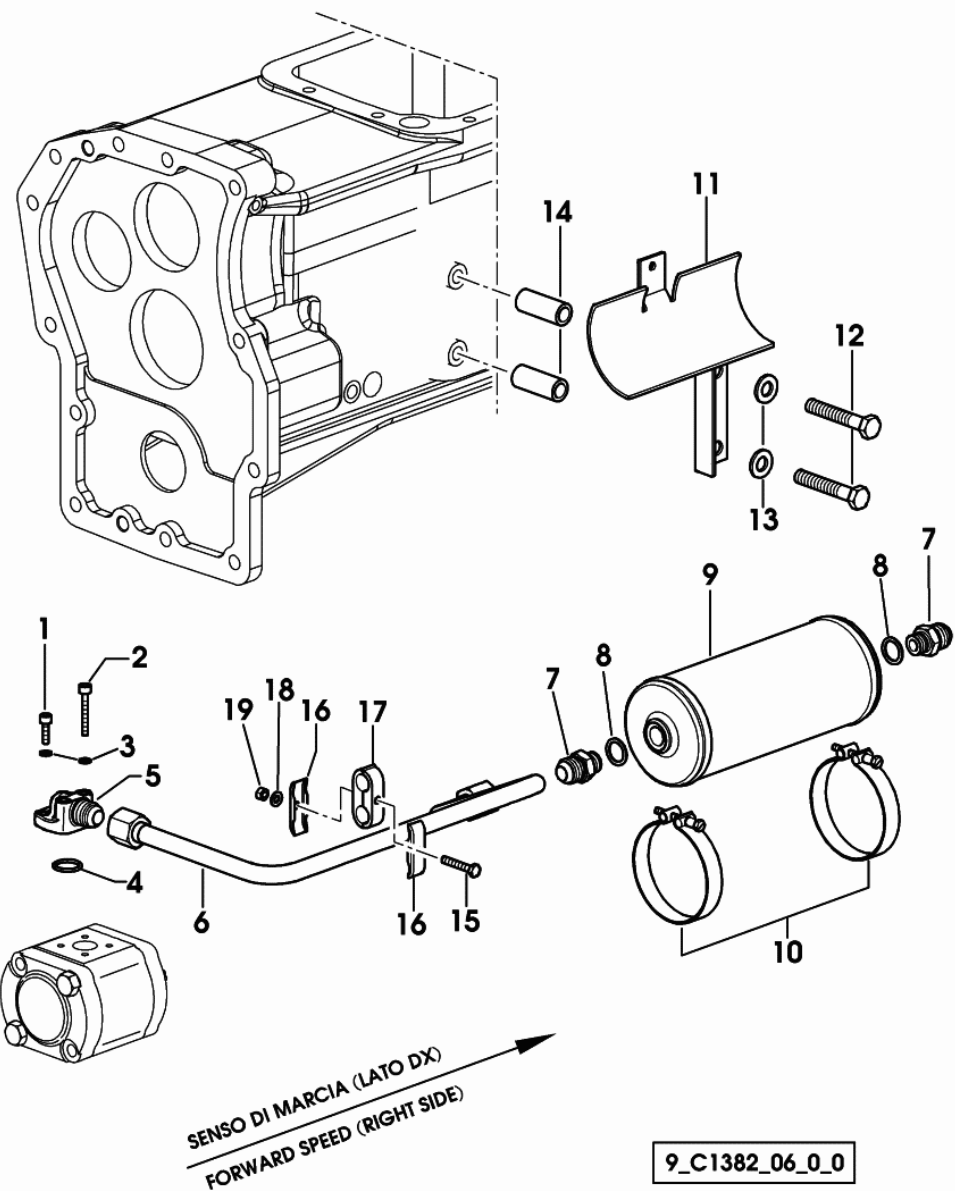
9\_C1382\_20\_0\_0

**PUMP FILTER SUCTION**

Fig.	Code	QTY	Name
------	------	-----	------

**Notes:**

-> 1528 X Agroplus 60 -> 4397 X Agroplus 70 -> 1776 X Agroplus 80



1	2.0312.106.2	2	screw m 6 p.1 x 20
2	2.0312.114.2	2	screw m 6 p.1x40
3	2.1480.012.2	4	washer 6, d128
4	2.1531.052.0	1	'o' ring 20.29 x 2.62
5	0.008.9626.0	1	pipe fitting
6	0.013.5498.3	1	tube
7	2.3261.010.2	2	pipe fitting m 18 p.1.5 - 7/8" 14
8	2.1560.014.0	2	gasket 18.2 x 24 x 1.5
9	0.010.8872.0/10	1	filter
10	0.164.8157.3/20	2	hose clip Ø 97
11	0.013.5483.2	1	bracket
12	2.0112.423.2	2	screw m 12 p.1.75 x 70
13	2.1310.007.2	2	flat washer 13.5
14	2.1579.935.2	2	spacer
15	2.0112.013.2	1	screw m 6 p.1 x 35
16	0.013.3065.0	2	plate
17	0.013.3070.0	1	clamp Ø 16
18	2.1310.002.2	1	washer 6.6, d125
19	2.1011.103.2	1	nut m 6 p.1

9\_C1382\_06\_0\_0

# Agroplus 60

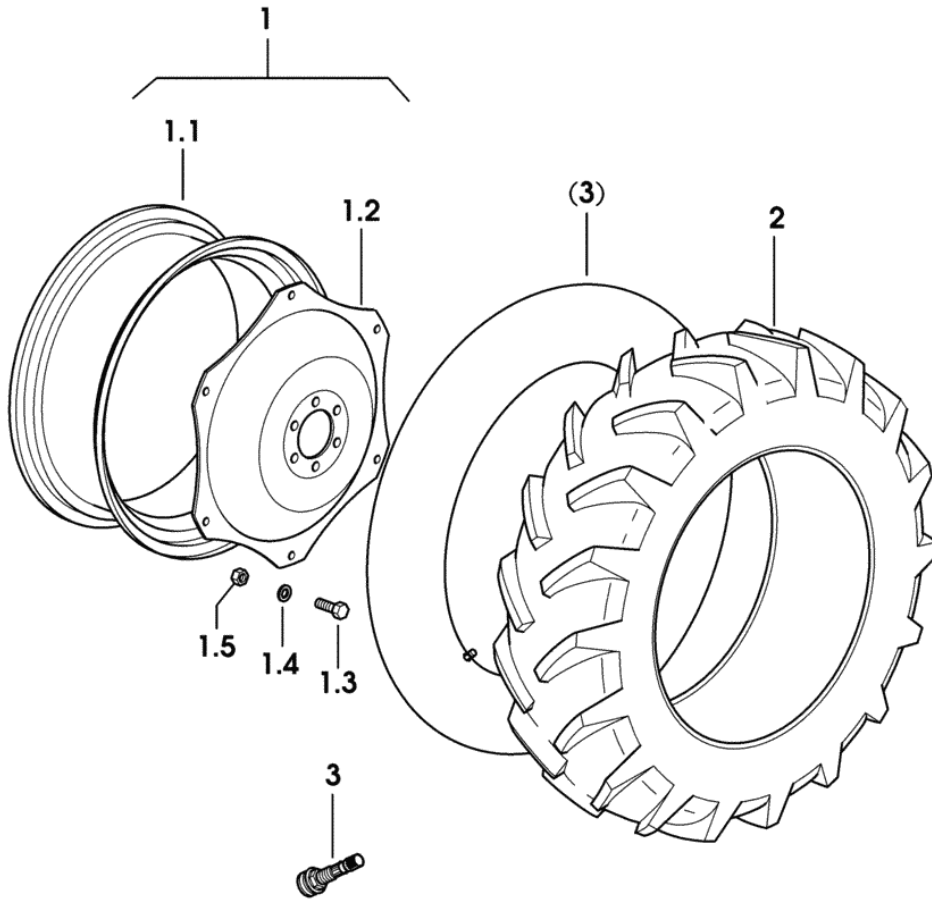
## WHEELS

### GENERAL

WHEELS 6.50 R20" PR 8.....	09.00.1
WHEELS 7.50 x 16" pr 8.....	09.00.2
WHEELS 7.50 x 18" pr 8.....	09.00.3
WHEELS 11.2x20" pr6.....	09.00.4
WHEELS 12.4/11x20" a8.....	09.00.5
WHEELS 320/70 R20" A8.....	09.00.6
WHEELS 335/80R-20".....	09.00.7
WHEELS 360/70R20"a8.....	09.00.8
WHEELS 375/75R-20".....	09.00.9
WHEELS 405/70 R20".....	09.00.11
WHEELS 11.2 R24" A8.....	09.00.13
WHEELS 14.9R-28" a8.....	09.00.16
WHEELS 16.9R-28" a8.....	09.00.17
WHEELS 420/70 R28" A8.....	09.00.18
WHEELS 480/70R-28" a8.....	09.00.19
WHEELS 540/65R28".....	09.00.21
WHEELS 14.9R-30" a8.....	09.00.22
WHEELS 420/70 R30" A8.....	09.00.26
WHEELS 12.4R36" a8.....	09.00.30
2WD - FRONT WHEEL MOUNTING.....	09.00.36
4WD - FRONT WHEEL MOUNTING.....	09.00.37
REAR WHEEL BOLTS.....	09.00.38
REAR WHEEL BOLTS.....	09.00.39
SPACER FOR REAR WHEEL RIMS.....	09.00.41

Section: WHEELS  
**WHEELS 405/70 R20"**

Fig.	Code	QTY	Name
1	0.000.0000.1	0	not serviceable
1.1	0.012.2829.3	1	rim W 11x20" C/ST
1.2	0.010.4301.0	1	rim center flange
1.3	2.0099.005.6	6	screw m 16 p.1.5 x 38
1.4	2.1499.019.6	6	washer 16.3 x 31.5
1.5	2.1019.059.6	6	nut m 16 p.1.5 x 16
2	2.4811.131.0	2	tyre 405/70 R20"
3	2.4820.089.0	2	air chamber
3	0.012.6364.0	2	valve (...) <- X Agroplus 60 -> (...) X Agroplus 60



9\_68355\_27\_0\_0

CLICK HERE TO **DOWNLOAD** THE COMPLETE MANUAL

- Thank you very much for reading the preview of the manual.
- You can download the complete manual from: [www.heydownloads.com](http://www.heydownloads.com) by clicking the link below



- Please note: If there is no response to CLICKING the link, please download this PDF first and then click on it.

CLICK HERE TO **DOWNLOAD** THE COMPLETE MANUAL