

ACCORD



OPTIMA

Spare Parts Manual

| | |
|------------------------|-------------|
| Prod. Series nr (from) | |
| Production year (from) | 1993 |
| Mach. ID | 01107-01249 |

CLICK HERE TO **DOWNLOAD** THE COMPLETE MANUAL

- Thank you very much for reading the preview of the manual.
- You can download the complete manual from: www.heydownloads.com by clicking the link below

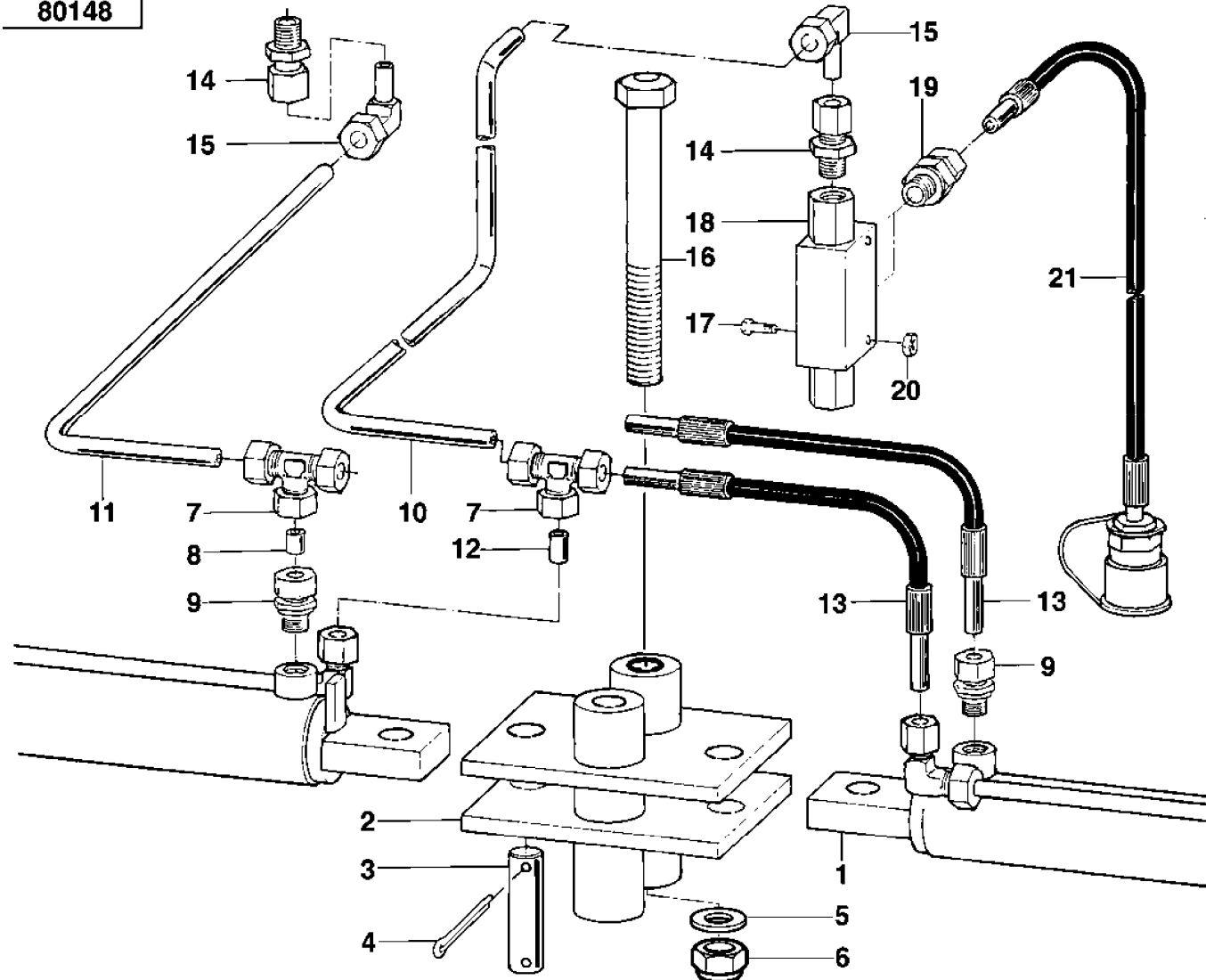


- Please note: If there is no response to CLICKING the link, please download this PDF first and then click on it.

CLICK HERE TO **DOWNLOAD** THE COMPLETE MANUAL

80148

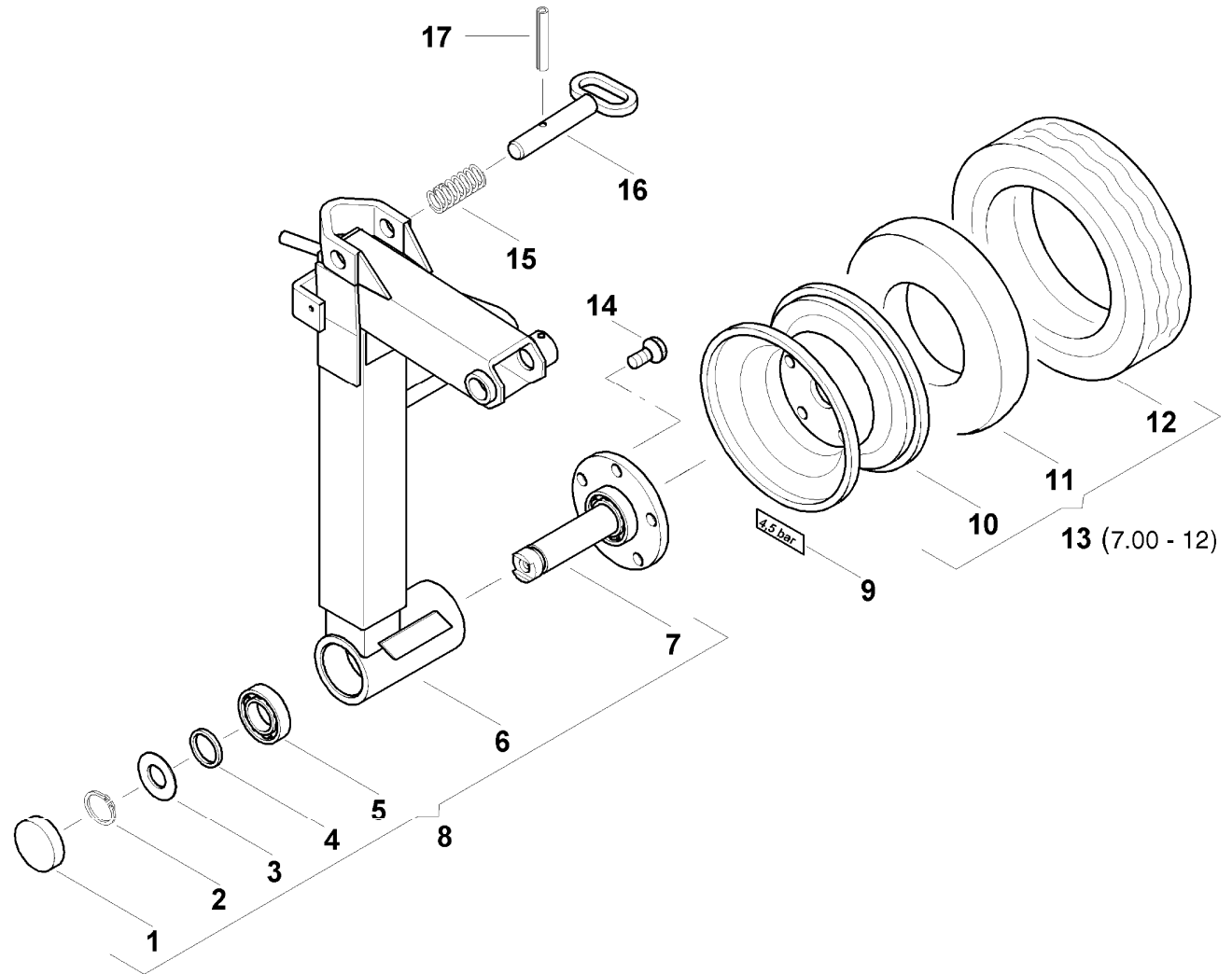
| Pos-no | Part-no | Qty |
|--------|------------|-----|
| 1 | AC820921 | |
| 2 | AC820160 | |
| 3 | AC654426 | |
| 4 | KG01251561 | |
| 5 | KG01267761 | |
| 6 | KG01067961 | |
| 7 | AC688483 | |
| 8 | AC820276 | |
| 9 | AC688493 | |
| 10 | AC820272 | |
| 11 | AC820271 | |
| 12 | AC820275 | |
| 13 | AC820922 | |
| 14 | AC688333 | |
| 15 | AC688223 | |
| 16 | AC630824 | |
| 17 | KG00467861 | |
| 18 | AC688341 | |
| 19 | AC688473 | |
| 20 | KG01051661 | |
| 21 | AC820923 | |



40074a

| Pos-no | Part-no | Qty |
|--------|---------|-----|
|--------|---------|-----|

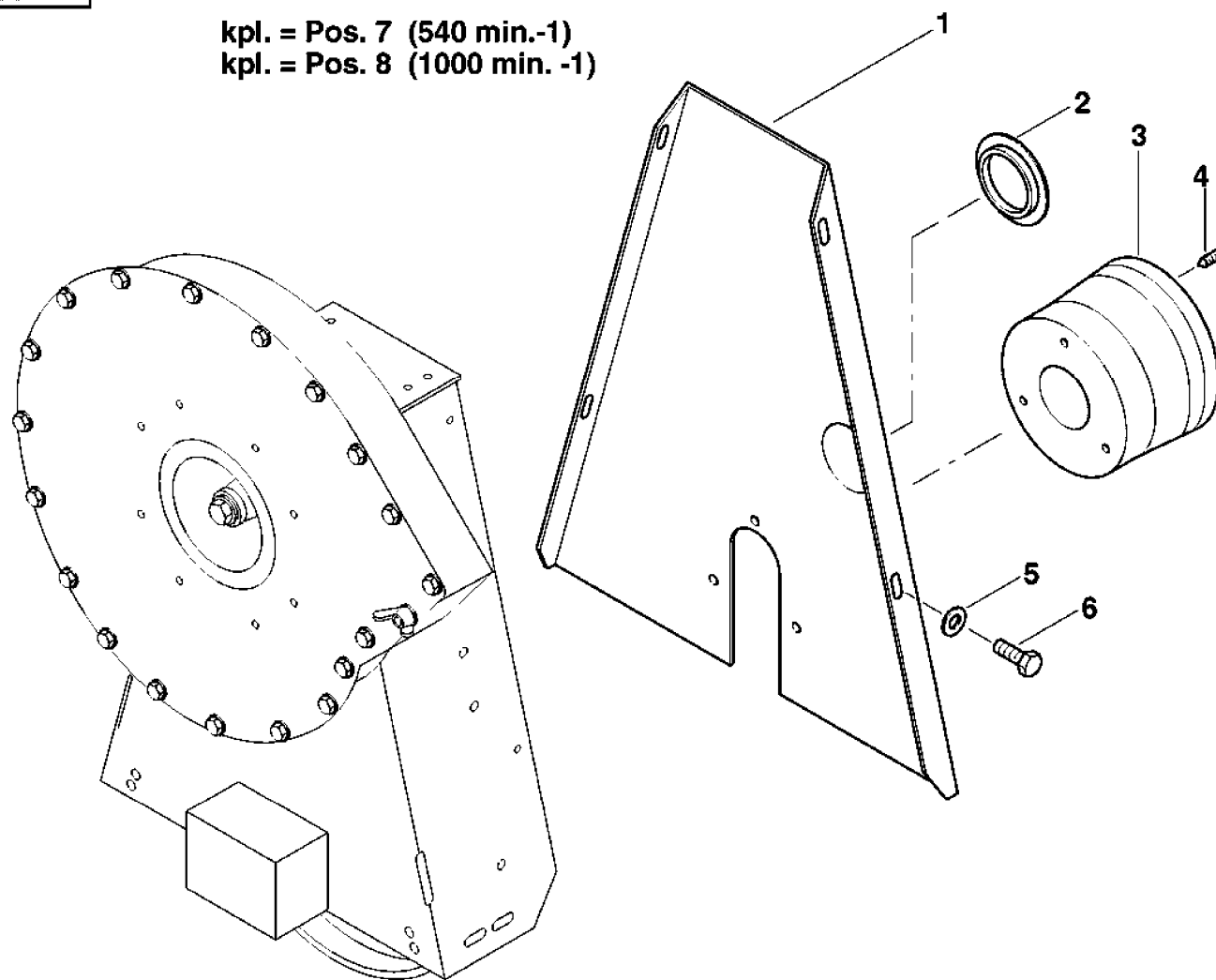
- | | | |
|----|------------|--|
| 1 | AC688066 | |
| 2 | KG01099362 | |
| 3 | AC496623 | |
| 4 | AC674412 | |
| 5 | KG01381100 | |
| 6 | AC486076 | |
| 7 | AC824065 | |
| 8 | AC486183 | |
| 9 | AC824811 | |
| 10 | AC835945 | |
| 11 | AC608333 | |
| 12 | AC824801 | |
| 13 | AC824071 | |
| 14 | AC490688 | |
| 15 | AC496782 | |
| 16 | AC496083 | |
| 17 | AC652532 | |



| Pos-no | Part-no | Qty |
|--------|------------|-----|
| 1 | AC820391 | |
| 2 | AC688501 | |
| 3 | AC820910 | |
| 4 | KG00745563 | |
| 5 | KG01267261 | |
| 6 | KG00468761 | |
| 7 | AC820024 | |
| 8 | AC820051 | |

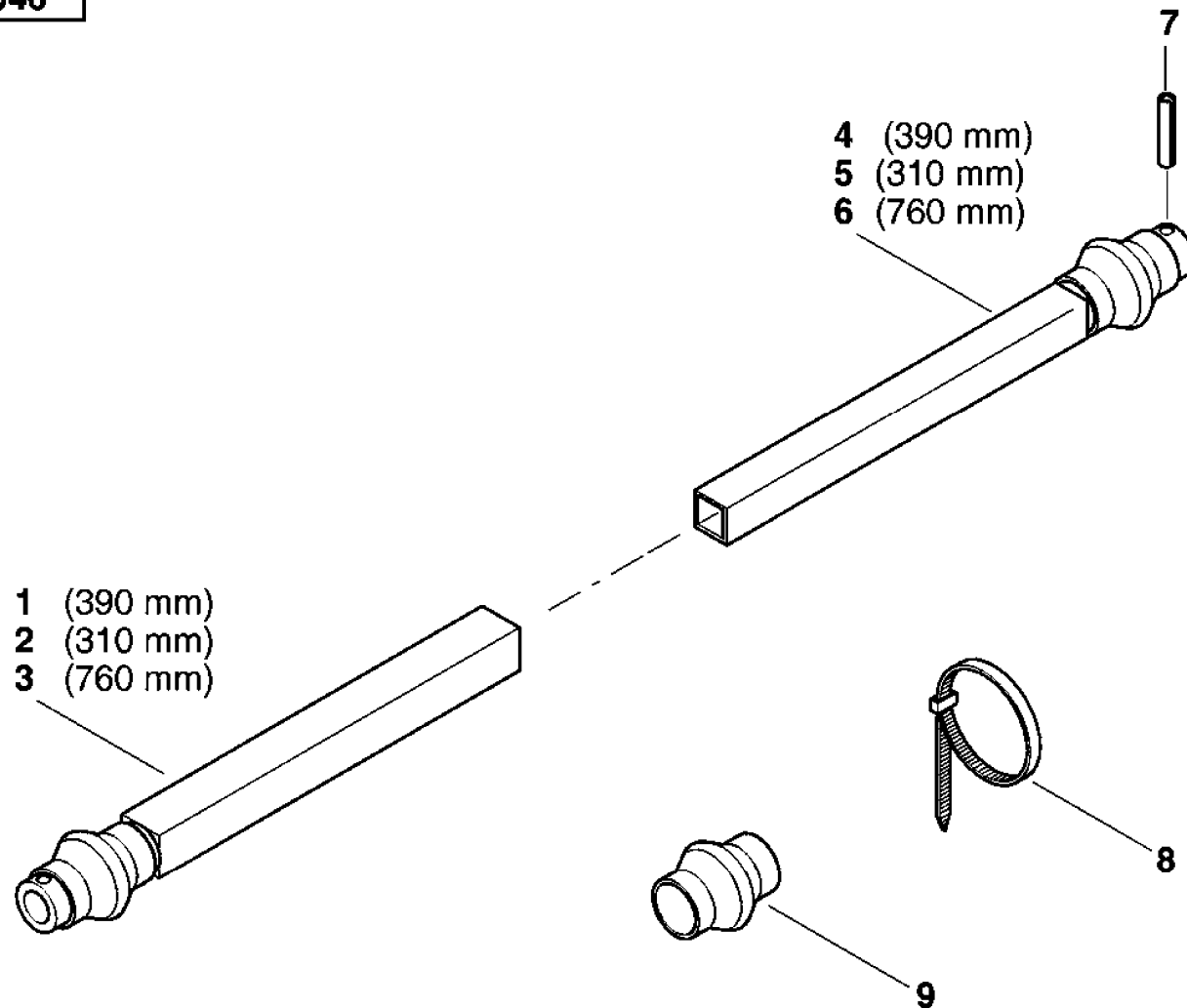
80027

kpl. = Pos. 7 (540 min.-1)
kpl. = Pos. 8 (1000 min. -1)



80046

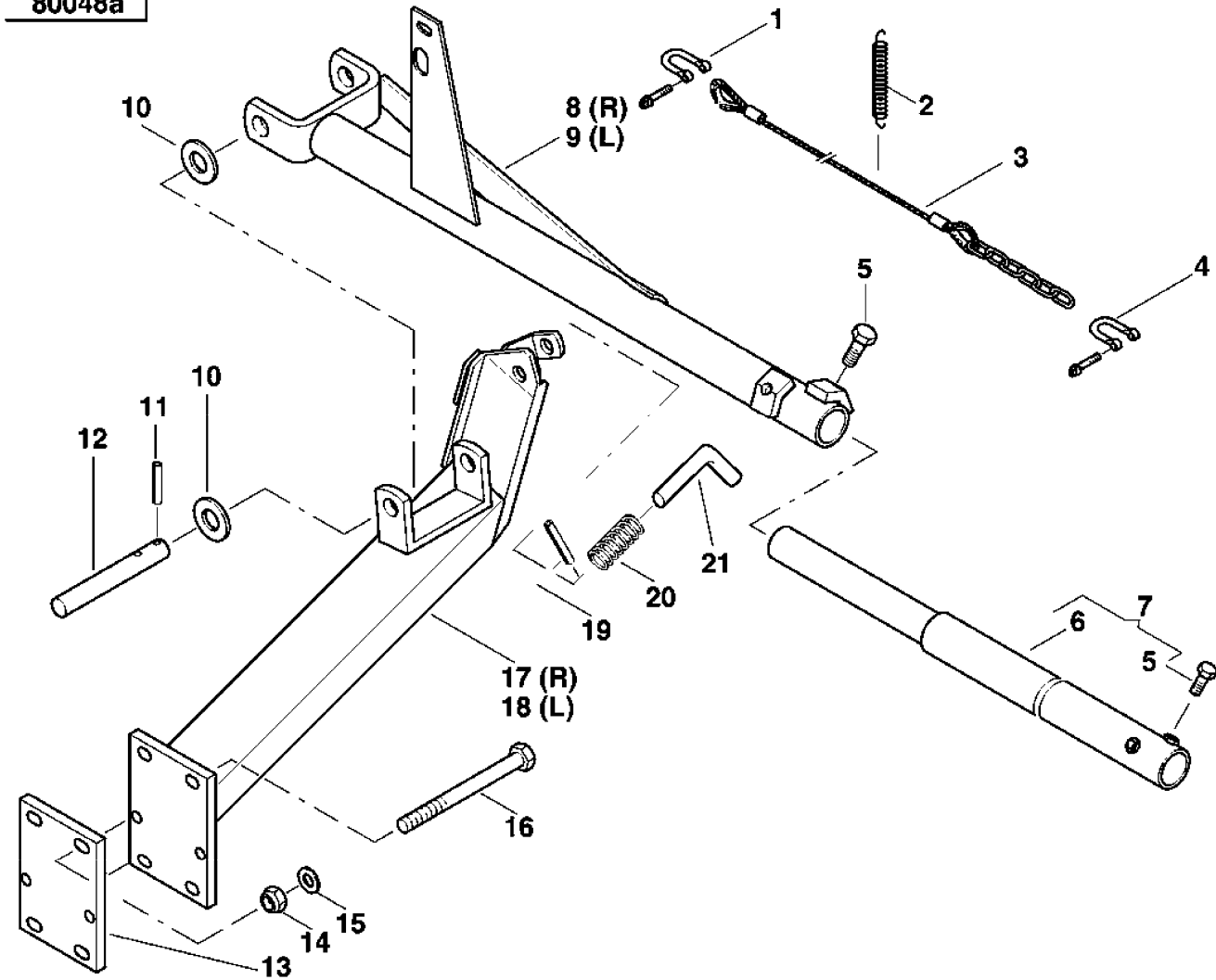
| Pos-no | Part-no | Qty |
|--------|----------|-----|
| 1 | AC820082 | |
| 2 | AC820098 | |
| 3 | AC820036 | |
| 4 | AC820081 | |
| 5 | AC820097 | |
| 6 | AC820037 | |
| 7 | AC652922 | |
| 8 | AC687351 | |
| 9 | AC820828 | |



80048a

| Pos-no | Part-no | Qty |
|--------|---------|-----|
|--------|---------|-----|

- | | | |
|----|------------|--|
| 1 | AC661162 | |
| 2 | AC496783 | |
| 3 | AC499730 | |
| 4 | AC661172 | |
| 5 | KG00476561 | |
| 6 | AC494214 | |
| 7 | AC494213 | |
| 8 | AC820134 | |
| 9 | AC820133 | |
| 10 | AC646472 | |
| 11 | AC652183 | |
| 12 | AC494331 | |
| 13 | AC820638 | |
| 14 | KG01067761 | |
| 15 | KG01267561 | |
| 16 | KG00358961 | |
| 17 | AC820158 | |
| 18 | AC820159 | |
| 19 | AC652332 | |
| 20 | AC494726 | |
| 21 | AC499518 | |



CLICK HERE TO **DOWNLOAD** THE COMPLETE MANUAL

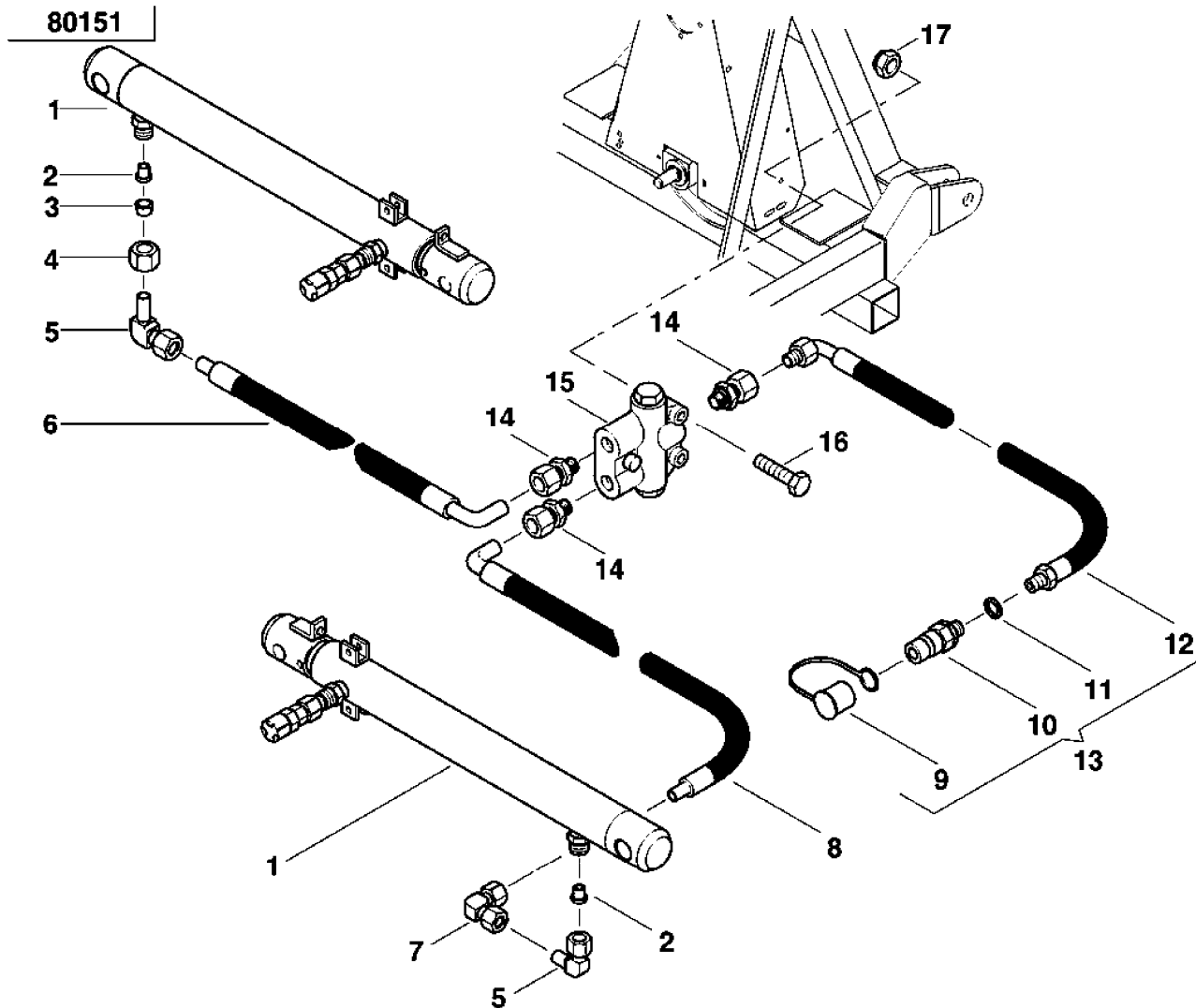
- Thank you very much for reading the preview of the manual.
- You can download the complete manual from: www.heydownloads.com by clicking the link below



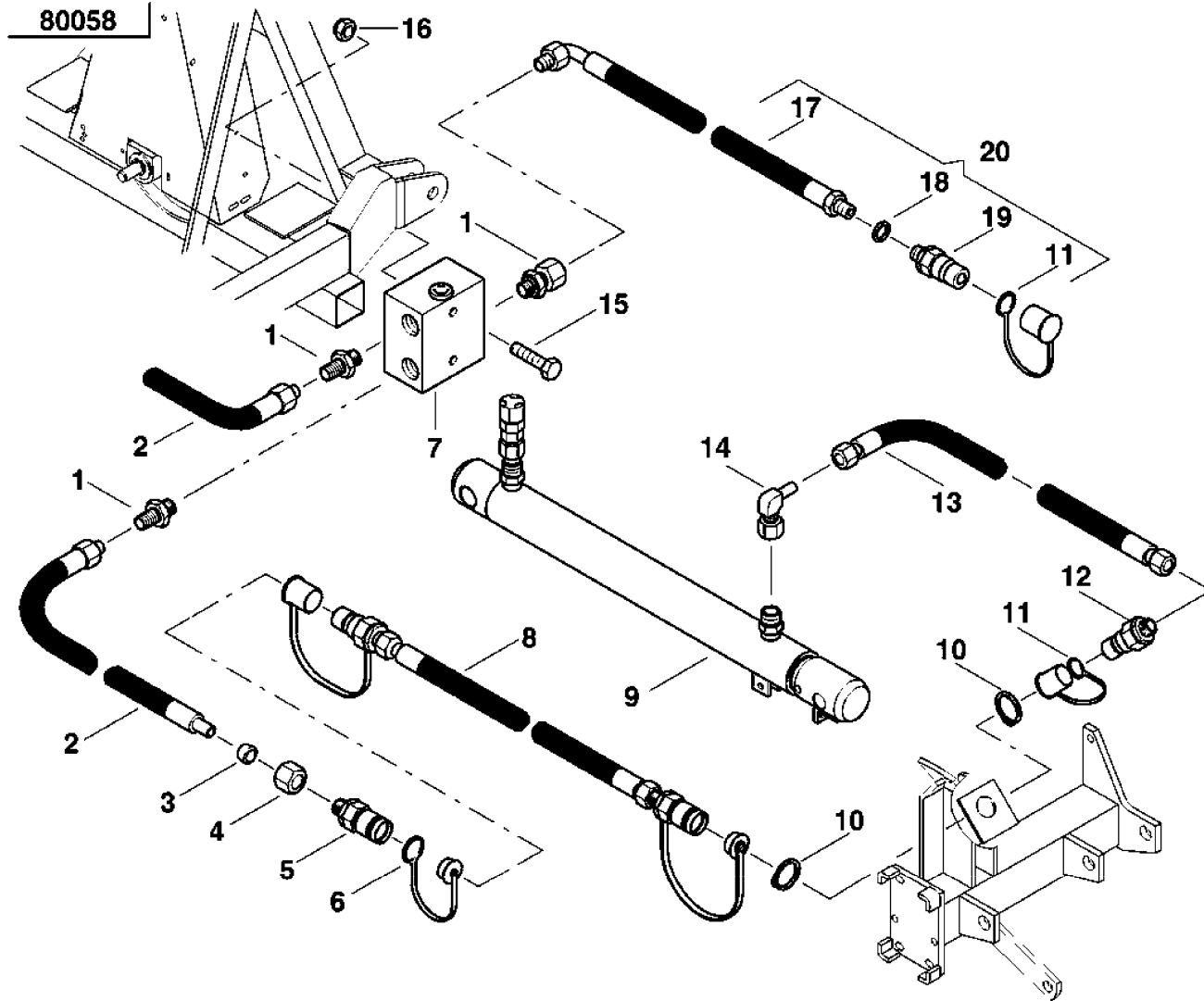
- Please note: If there is no response to CLICKING the link, please download this PDF first and then click on it.

CLICK HERE TO **DOWNLOAD** THE COMPLETE MANUAL

| Pos-no | Part-no | Qty |
|--------|------------|-----|
| 1 | AC583088 | |
| 2 | AC583263 | |
| 3 | AC688253 | |
| 4 | AC688312 | |
| 5 | AC688121 | |
| 6 | AC820925 | |
| 7 | AC688074 | |
| 8 | AC820924 | |
| 9 | AC688791 | |
| 10 | AC688581 | |
| 11 | AC646991 | |
| 12 | AC499720 | |
| 13 | AC496828 | |
| 14 | AC688422 | |
| 15 | AC688811 | |
| 16 | KG00353861 | |
| 17 | KG01067561 | |

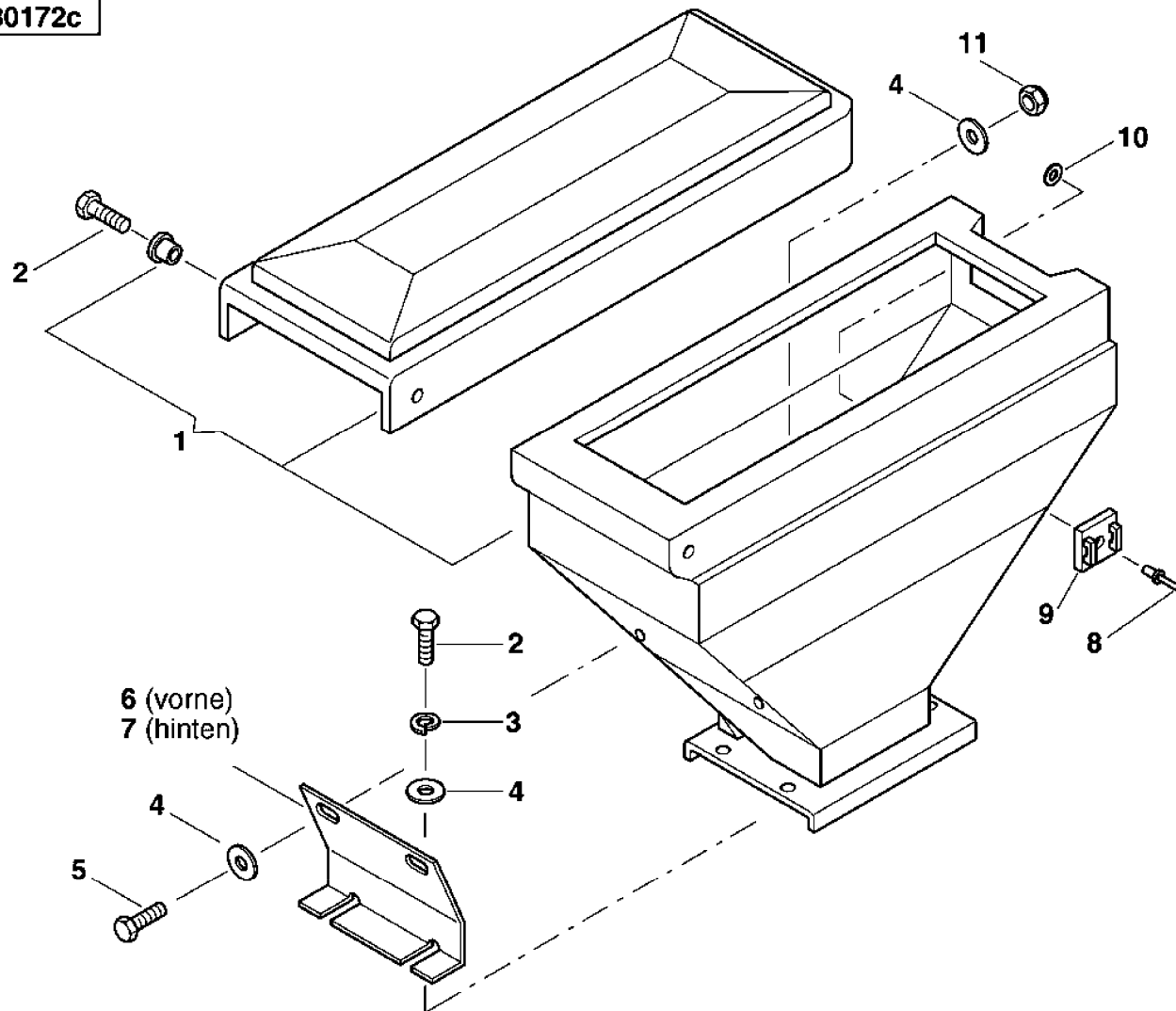


| Pos-no | Part-no | Qty |
|--------|------------|-----|
| 1 | AC688422 | |
| 2 | AC496823 | |
| 3 | AC688253 | |
| 4 | AC688312 | |
| 5 | AC688621 | |
| 6 | AC688792 | |
| 7 | AC688811 | |
| 8 | AC211031 | |
| 9 | AC583193 | |
| 10 | KG01109862 | |
| 11 | AC688791 | |
| 12 | AC688413 | |
| 13 | AC498848 | |
| 14 | AC688121 | |
| 15 | KG00353861 | |
| 16 | KG01067561 | |
| 17 | AC499720 | |
| 18 | AC646991 | |
| 19 | AC688581 | |
| 20 | AC496828 | |

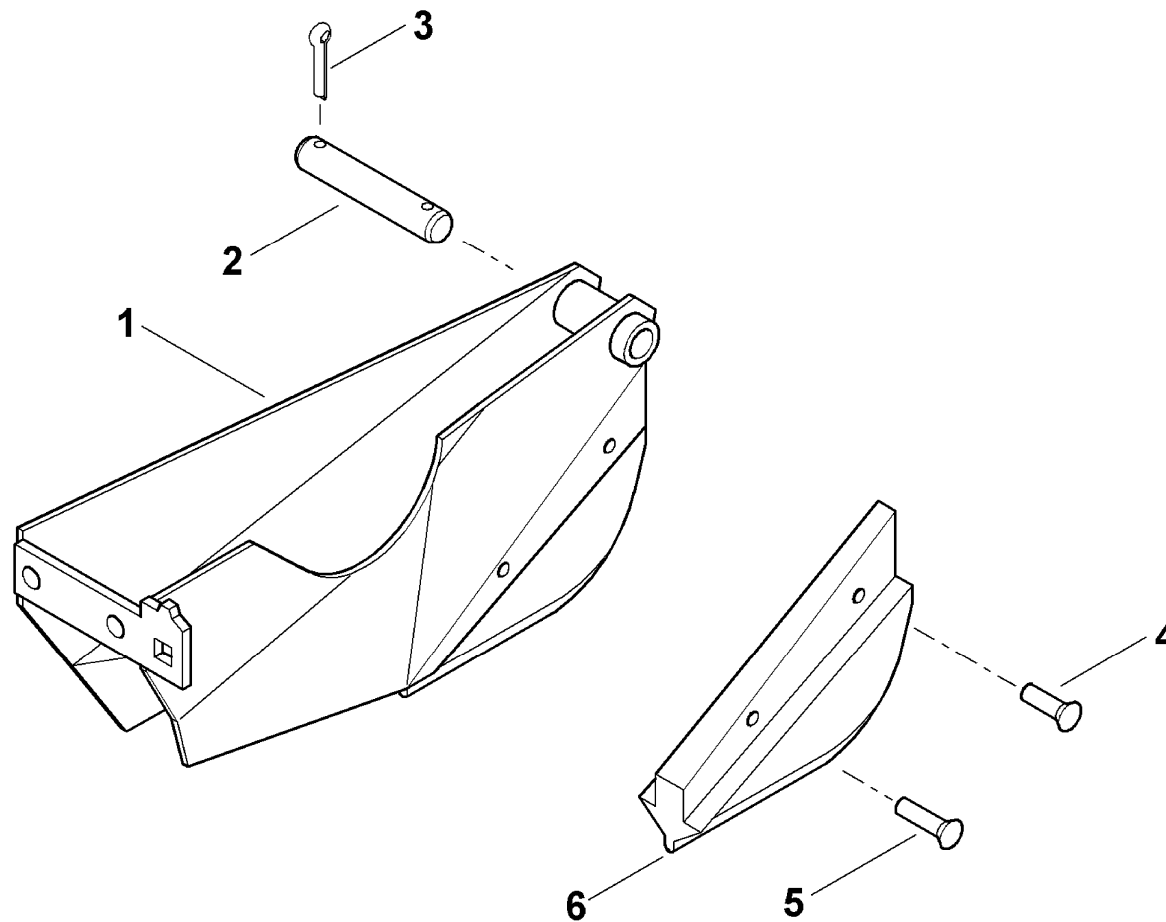


| Pos-no | Part-no | Qty |
|--------|------------|-----|
| 1 | AC819749 | |
| 2 | KG00471961 | |
| 3 | AC647032 | |
| 4 | AC646492 | |
| 5 | KG00472161 | |
| 6 | AC819643 | |
| 7 | AC819530 | |
| 8 | AC657411 | |
| 9 | AC689324 | |
| 10 | AC646012 | |
| 11 | KG01067561 | |

80172c



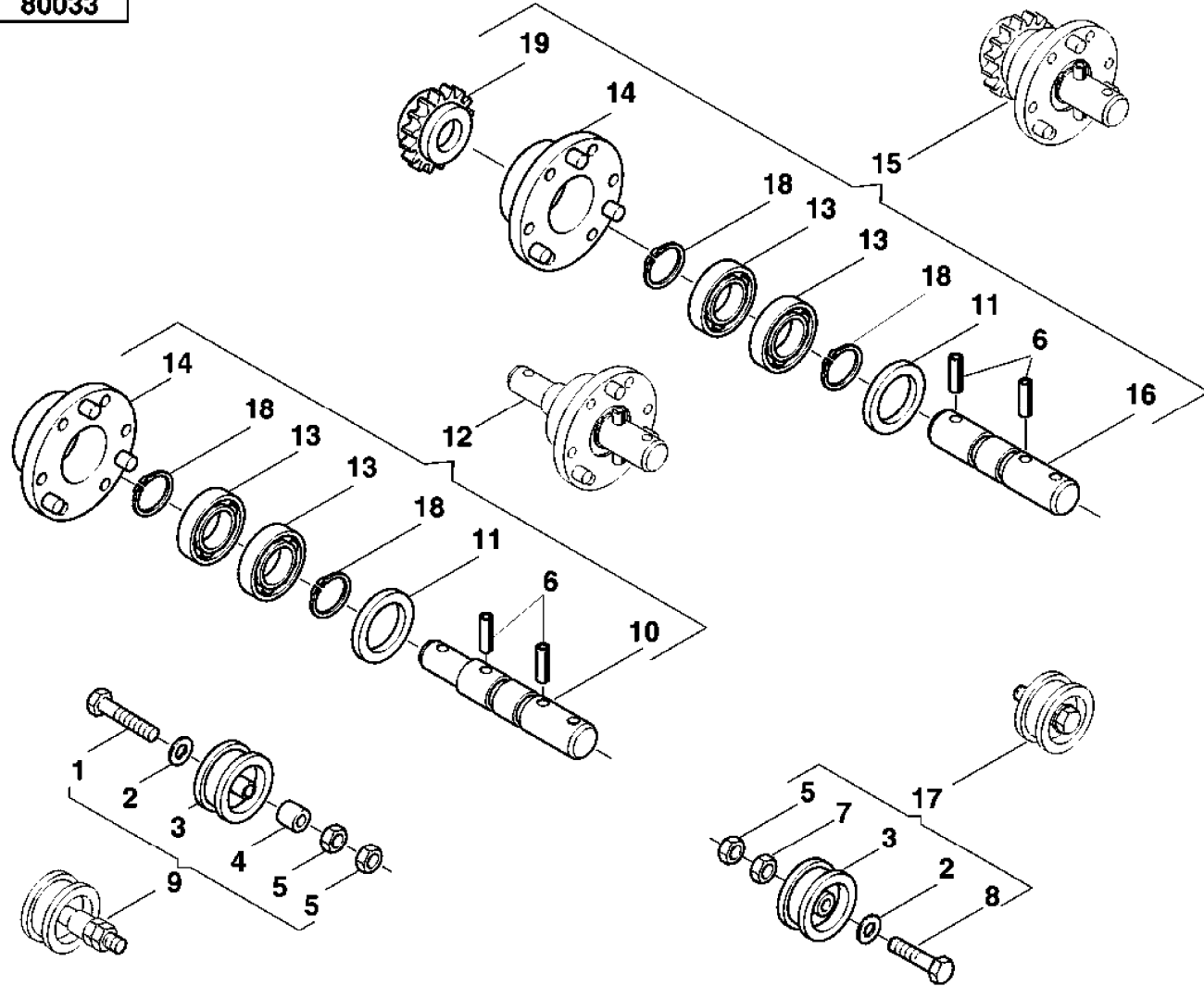
| Pos-no | Part-no | Qty |
|--------|------------|-----|
| 1 | AC819175 | 1 |
| 2 | AC819251 | 1 |
| 3 | KG01251561 | 2 |
| 4 | AC657231 | 1 |
| 5 | AC657241 | 1 |
| 6 | AC819672 | 1 |

80159a

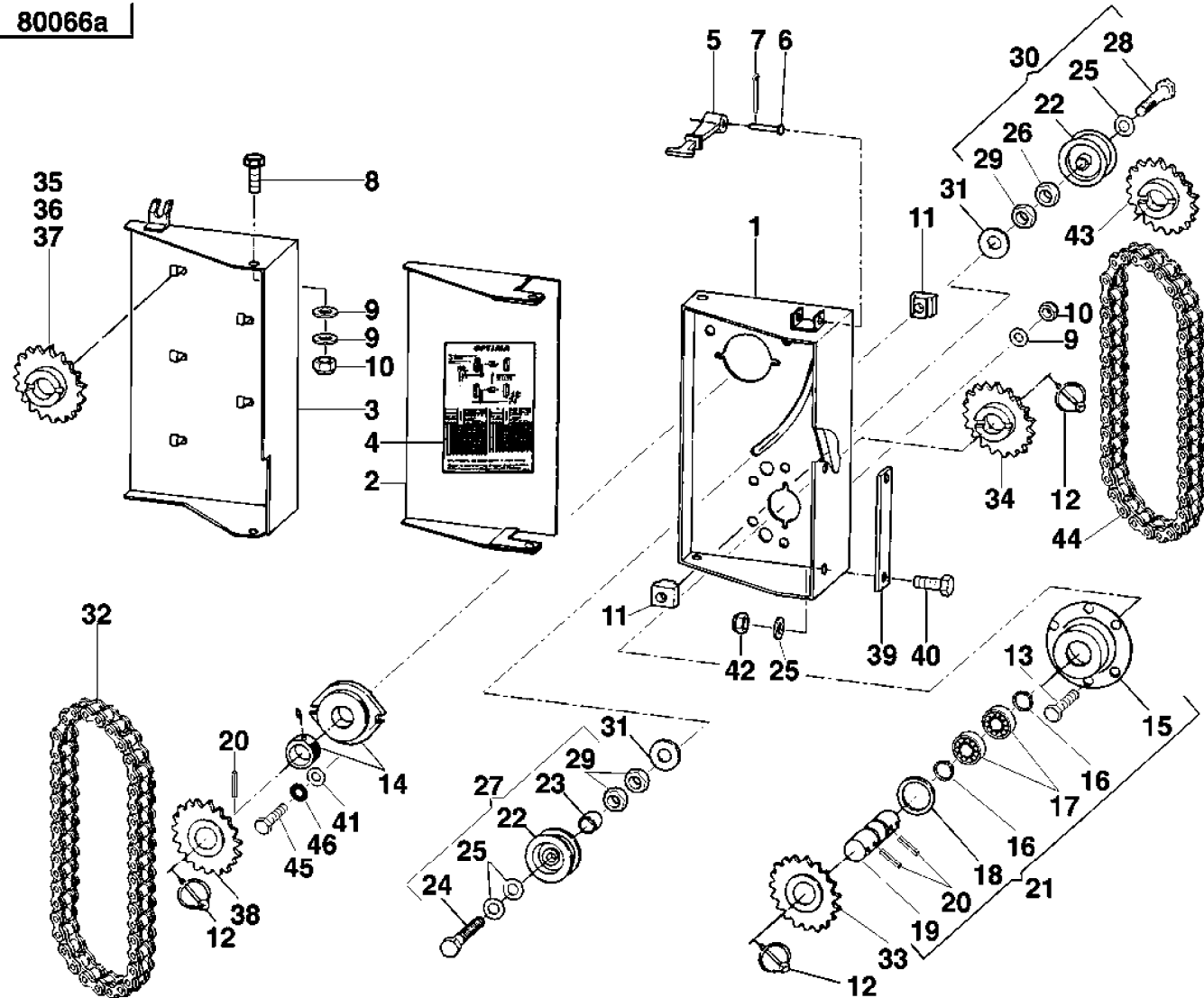
80033

| Pos-no | Part-no | Qty |
|--------|---------|-----|
|--------|---------|-----|

- | | | |
|----|------------|--|
| 1 | KG00355761 | |
| 2 | KG01267461 | |
| 3 | AC802805 | |
| 4 | AC820263 | |
| 5 | AC640972 | |
| 6 | AC652932 | |
| 7 | KG01052061 | |
| 8 | KG00355461 | |
| 9 | AC821092 | |
| 10 | AC820223 | |
| 11 | AC674122 | |
| 12 | AC820066 | |
| 13 | AC671128 | |
| 14 | AC820901 | |
| 15 | AC820067 | |
| 16 | AC820224 | |
| 17 | AC821090 | |
| 18 | KG01108362 | |
| 19 | AC820818 | |



80066a



| Pos-no | Part-no | Qty |
|--------|------------|-----|
| 1 | AC821135 | |
| 2 | AC821137 | |
| 3 | AC821136 | |
| 4 | AC821961 | |
| 5 | AC819748 | |
| 6 | AC819911 | |
| 7 | AC656282 | |
| 8 | KG00469261 | |
| 9 | KG01267261 | |
| 10 | KG01067361 | |
| 11 | AC820763 | |
| 12 | AC656462 | |
| 13 | KG00468961 | |
| 14 | AC676072 | |
| 15 | AC820901 | |
| 16 | KG01108362 | |
| 17 | AC671128 | |
| 18 | AC674122 | |
| 19 | AC821262 | |
| 20 | AC652932 | |
| 21 | AC821085 | |
| 22 | AC802805 | |
| 23 | AC821222 | |
| 24 | KG00356061 | |
| 25 | KG01267461 | |
| 26 | KG01052061 | |
| 27 | AC821091 | |
| 28 | KG00355461 | |
| 29 | AC640972 | |
| 30 | AC821090 | |
| 31 | AC646312 | |
| 32 | AC691803 | |
| 33 | AC820807 | |
| 34 | AC820808 | |
| 35 | AC820811 | |
| 36 | AC820813 | |
| 37 | AC820814 | |
| 38 | AC820816 | |
| 39 | AC820640 | |
| 40 | KG00498700 | |
| 41 | KG01263900 | |
| 42 | KG01067661 | |

CLICK HERE TO **DOWNLOAD** THE COMPLETE MANUAL

- Thank you very much for reading the preview of the manual.
- You can download the complete manual from: www.heydownloads.com by clicking the link below



- Please note: If there is no response to CLICKING the link, please download this PDF first and then click on it.

CLICK HERE TO **DOWNLOAD** THE COMPLETE MANUAL