

ERSATZTEILLISTE

Spare Parts List
Catalogue de pièces détachées
Catalogo parti di ricambio
Catálogo de recambio

HOCHHUBTRAKTOR

High lift tractor
Tracteur élévateur
Trattore elevatore
Tractor elevadore

STILL ELECTRONIC DOCUMENTATION SYSTEM

CX-T KANVAN 05 KANVAN 10



Gültig ab Fabriknummer:
Valid from serial number:
Valable à partir du numéro de série:
Valido desde el número de serie:
Valido dal numero di serie:

F21066C00001
F21067C00001
F21068C00001



first in intralogistics

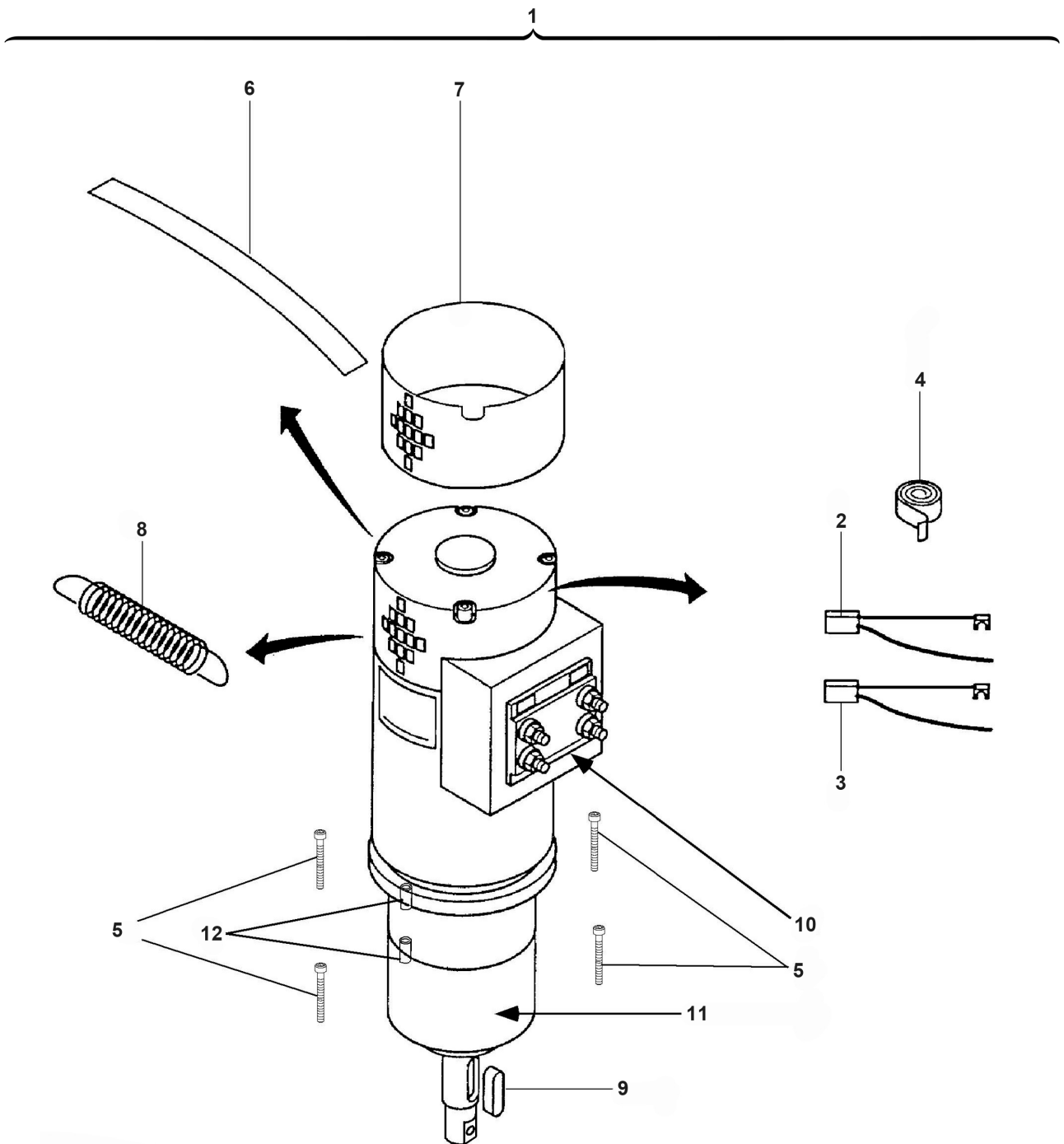
CLICK HERE TO **DOWNLOAD** THE COMPLETE MANUAL

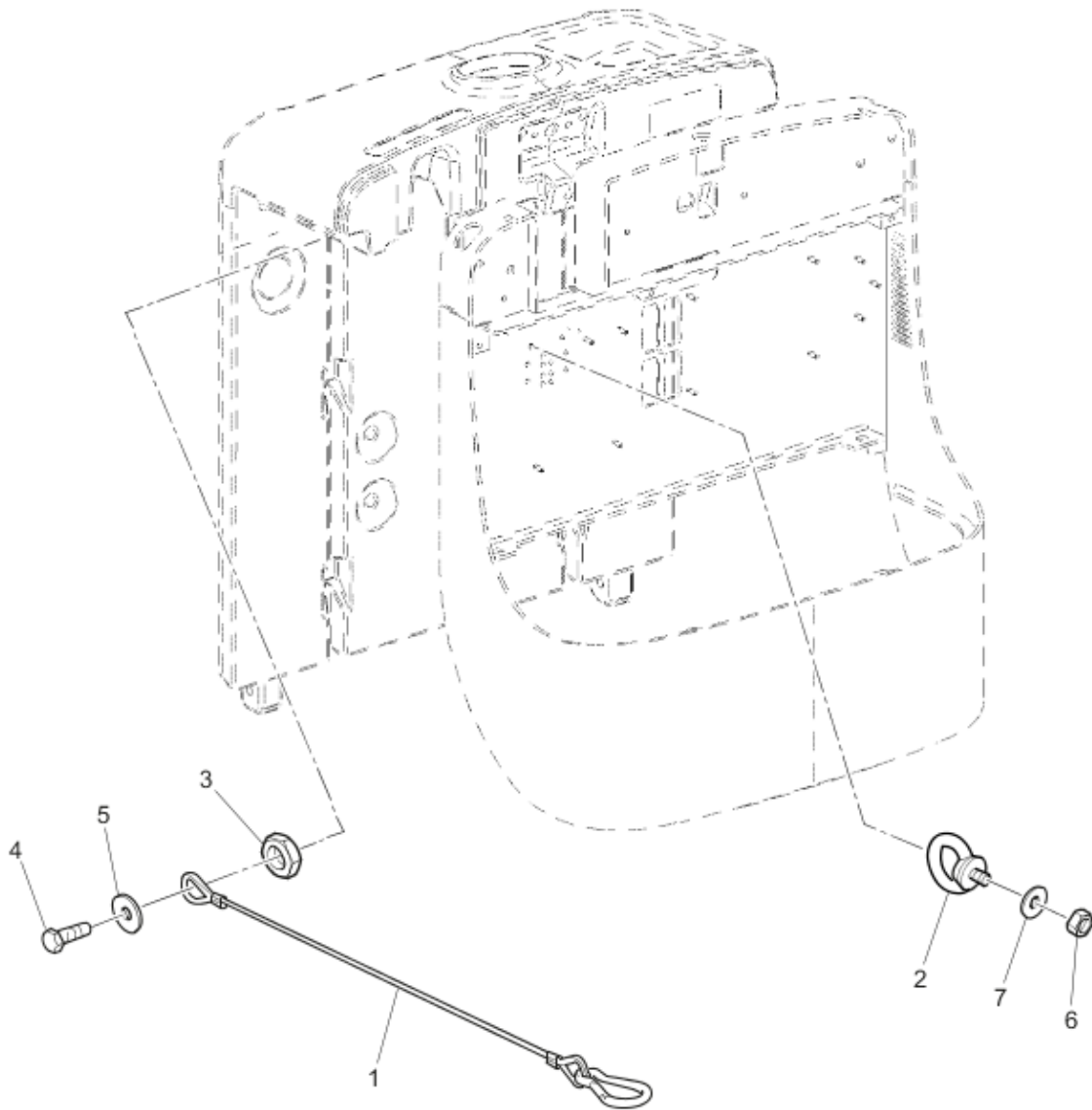
- Thank you very much for reading the preview of the manual.
- You can download the complete manual from: www.heydownloads.com by clicking the link below

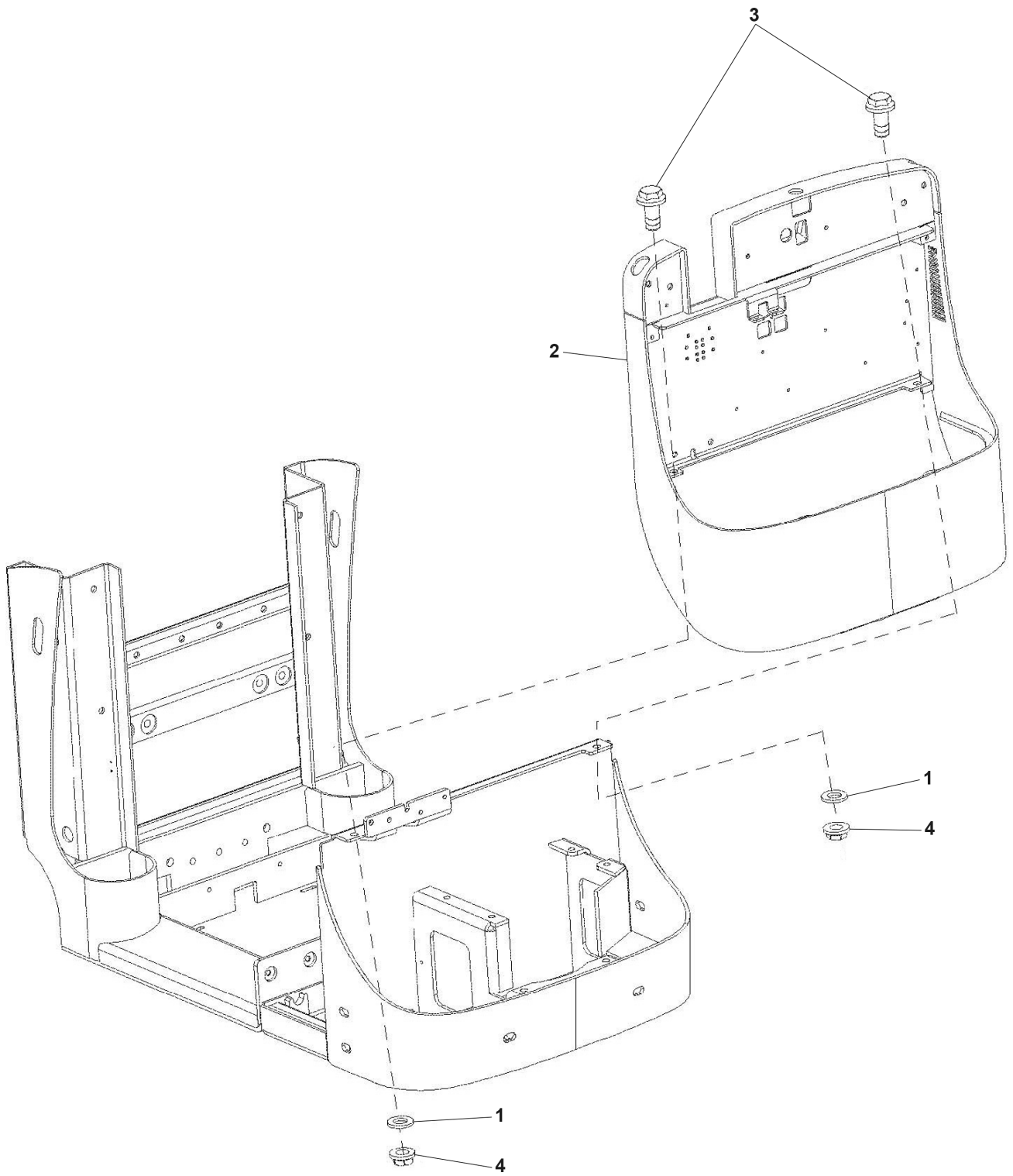


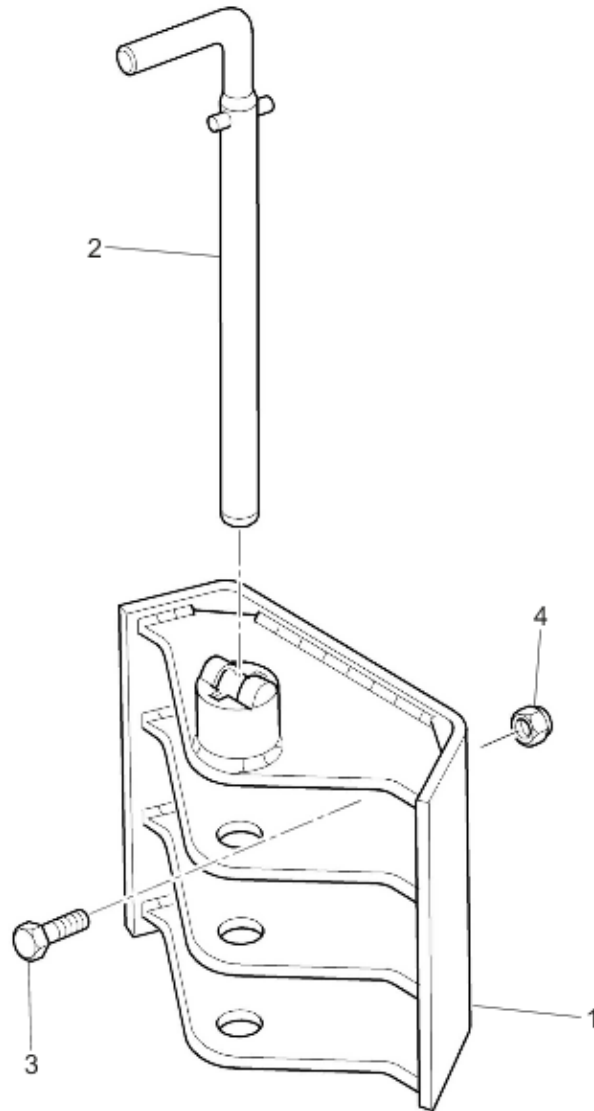
- Please note: If there is no response to CLICKING the link, please download this PDF first and then click on it.

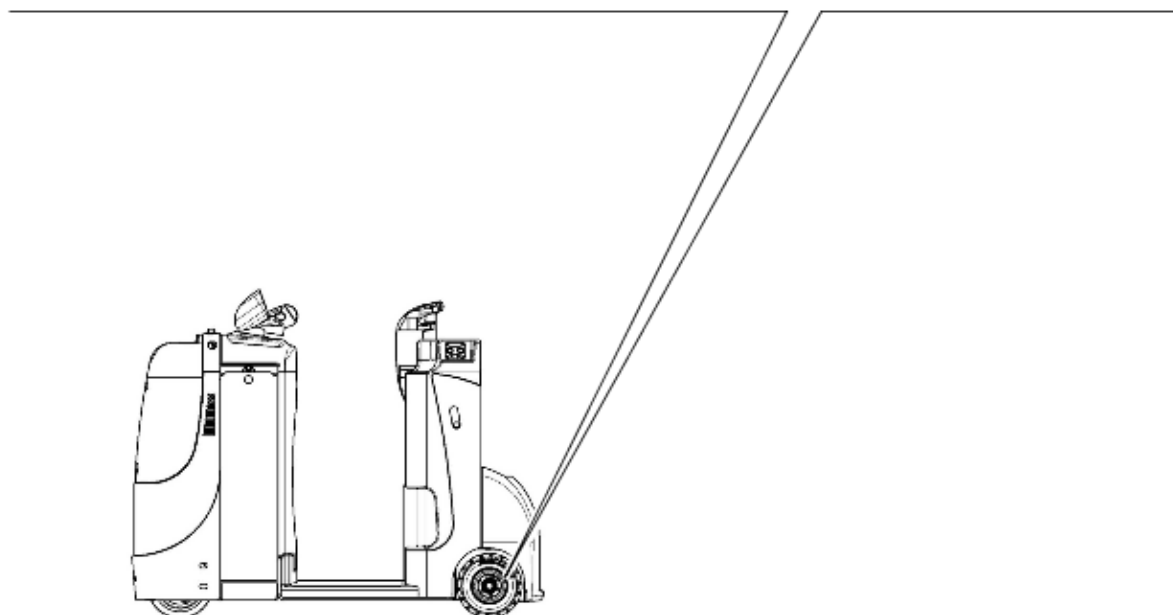
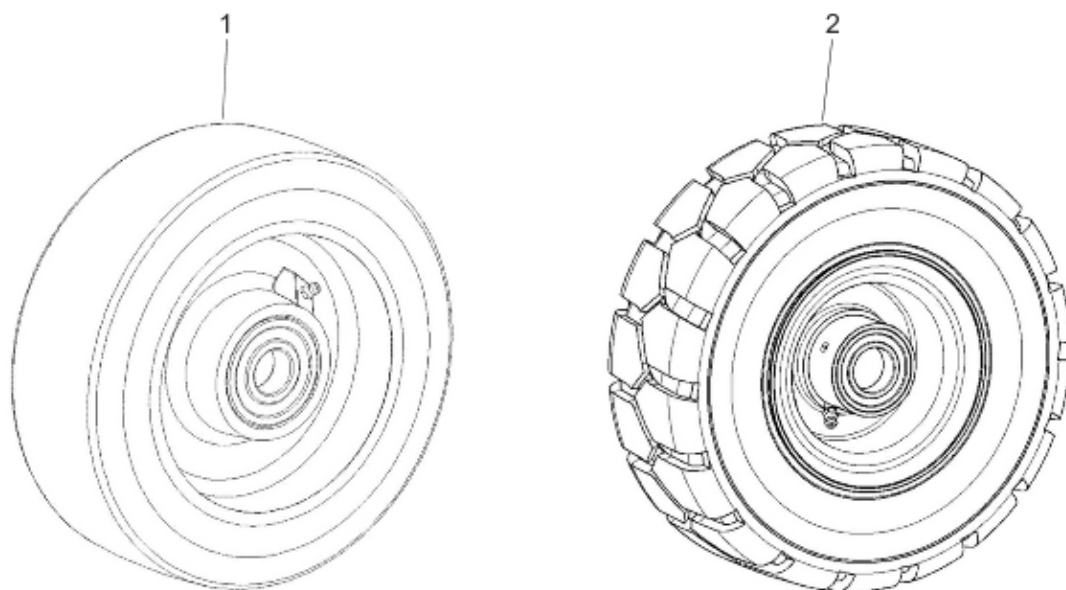
CLICK HERE TO **DOWNLOAD** THE COMPLETE MANUAL

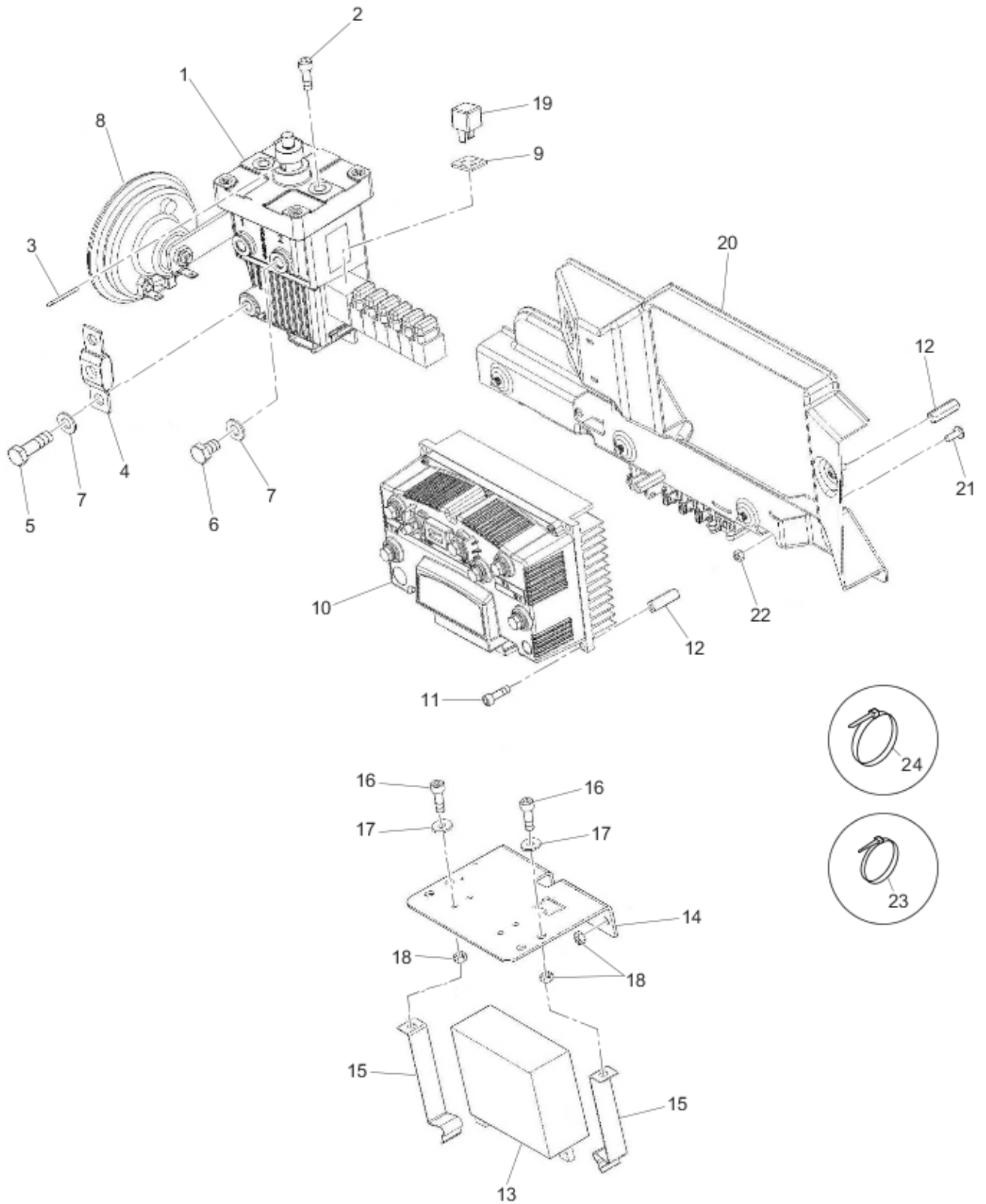


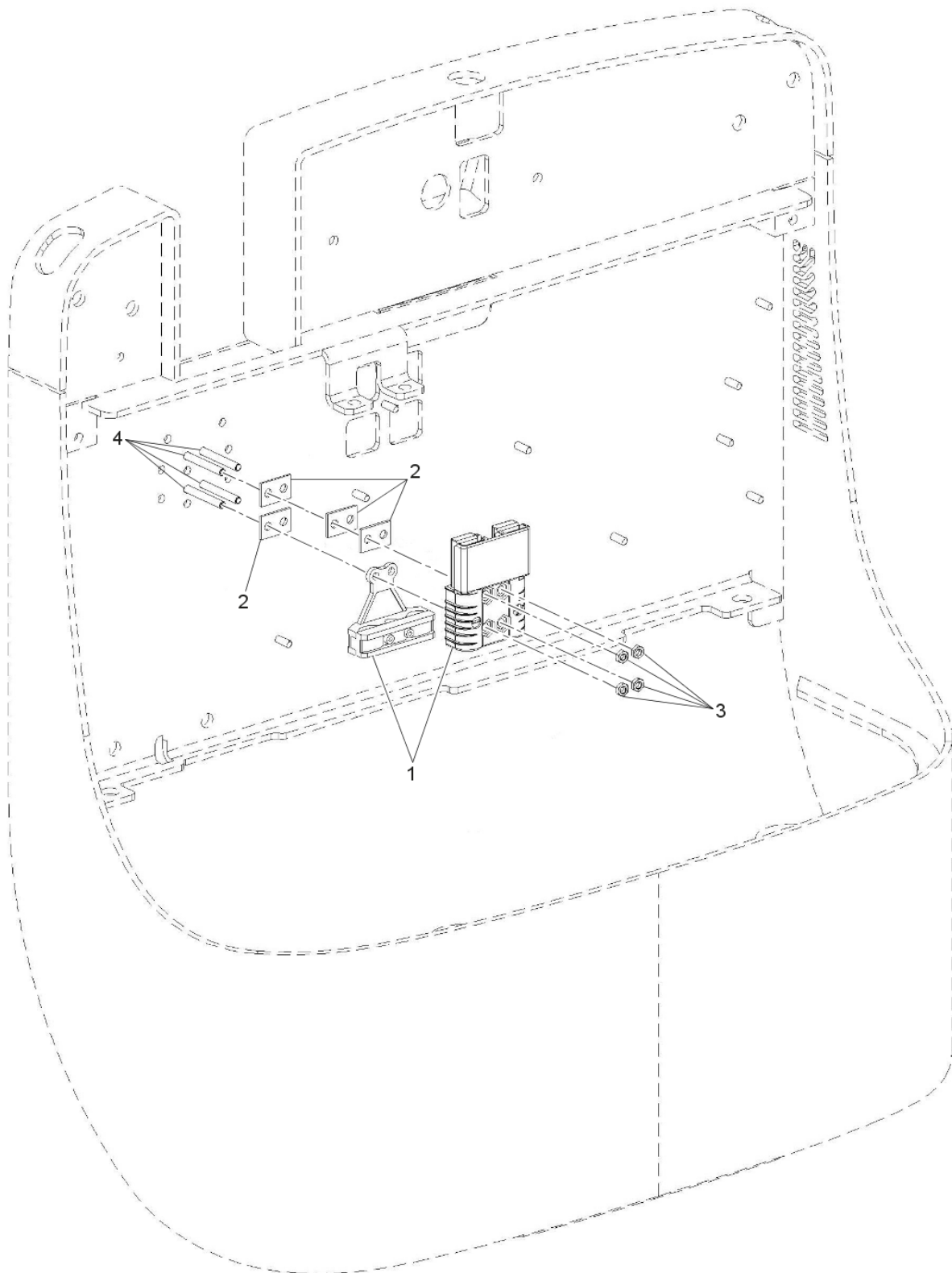


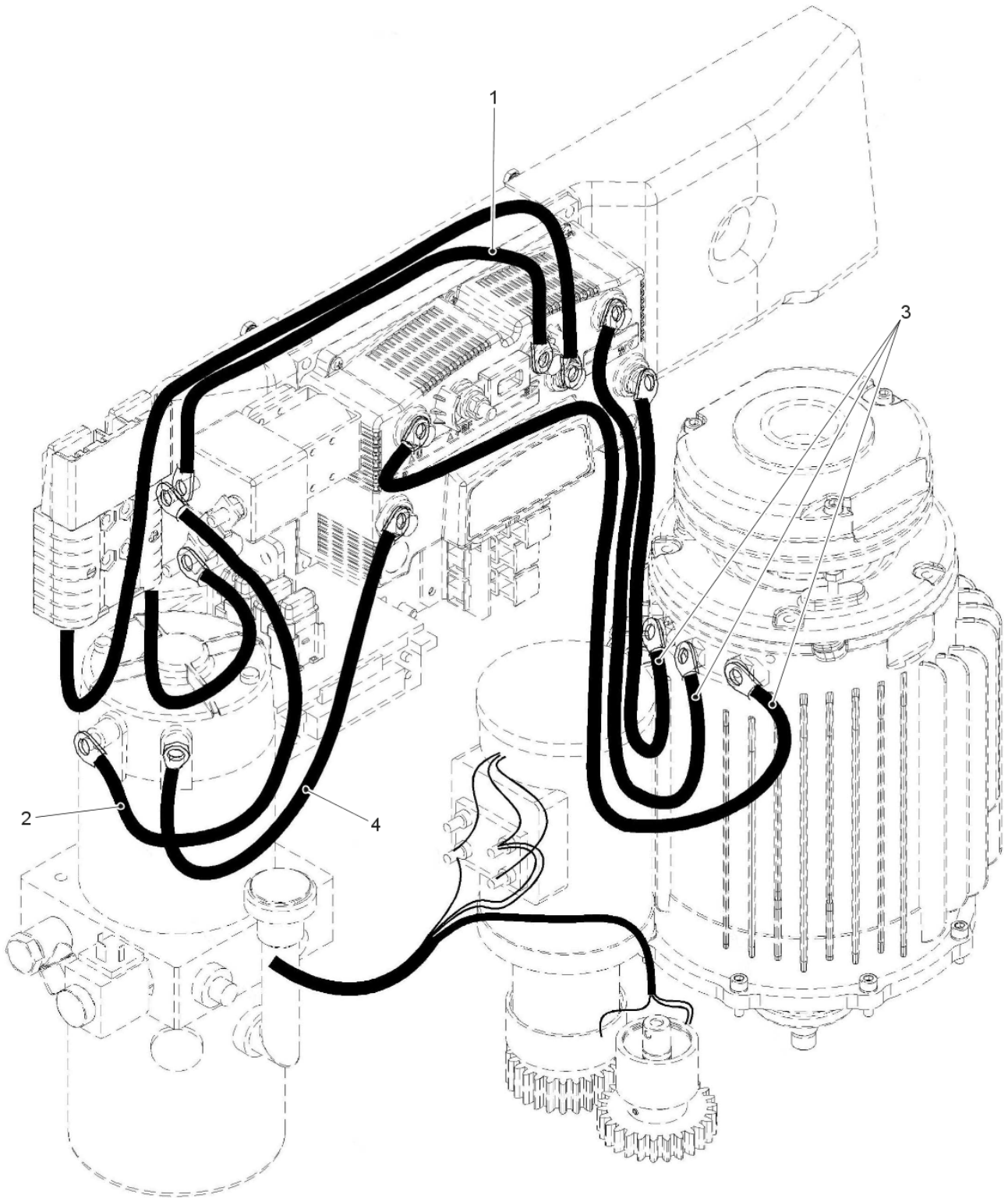


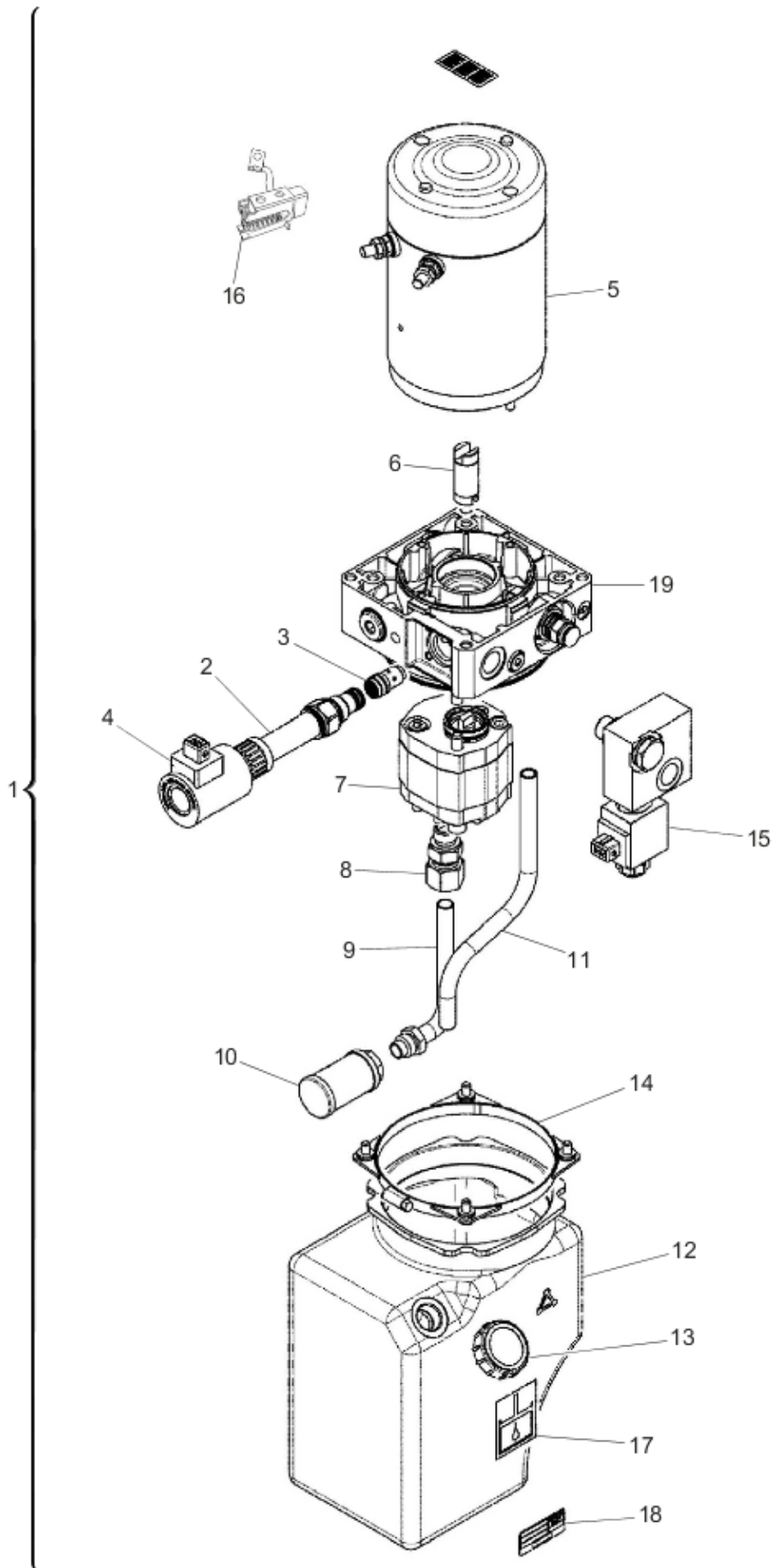












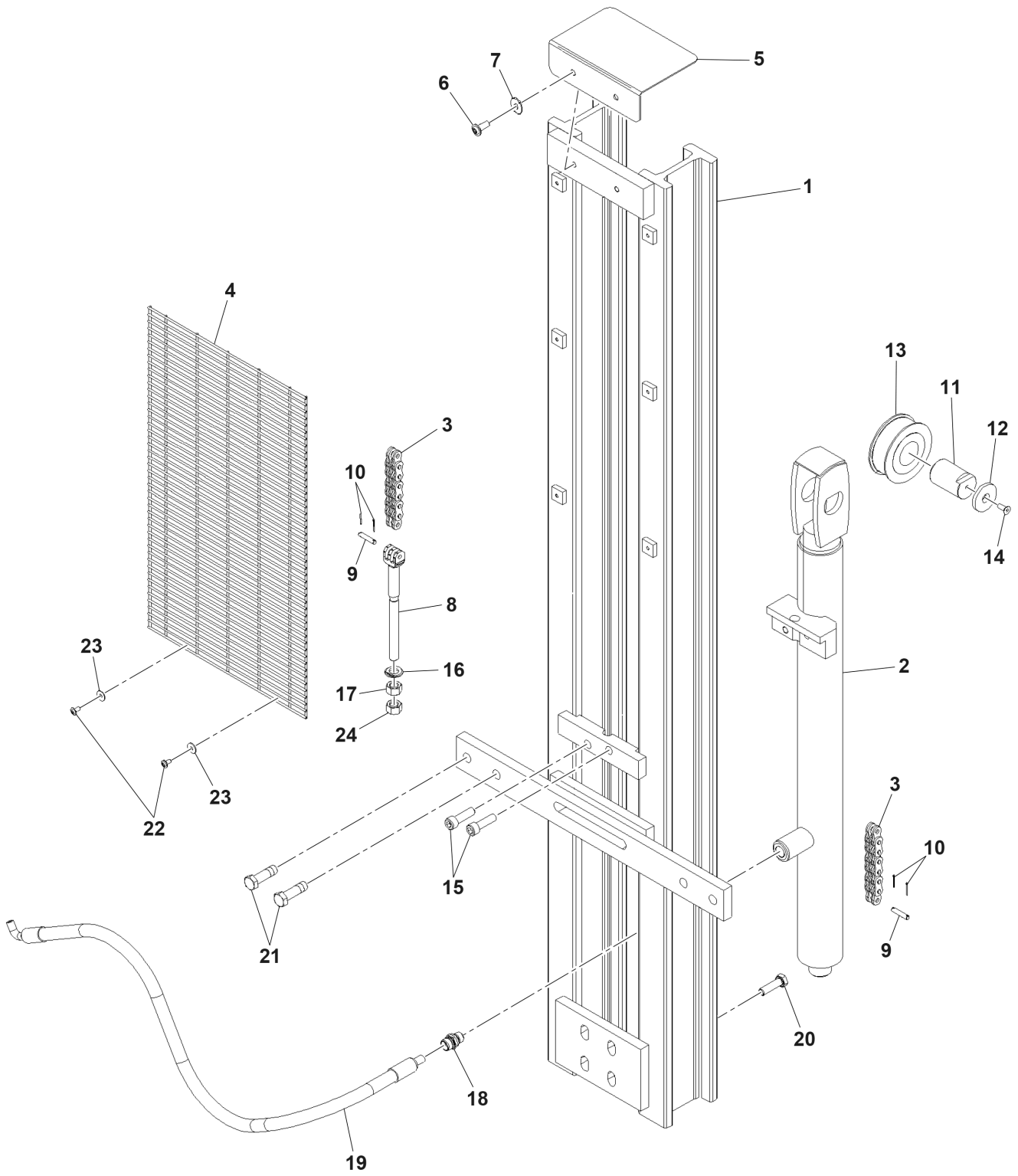
CLICK HERE TO **DOWNLOAD** THE COMPLETE MANUAL

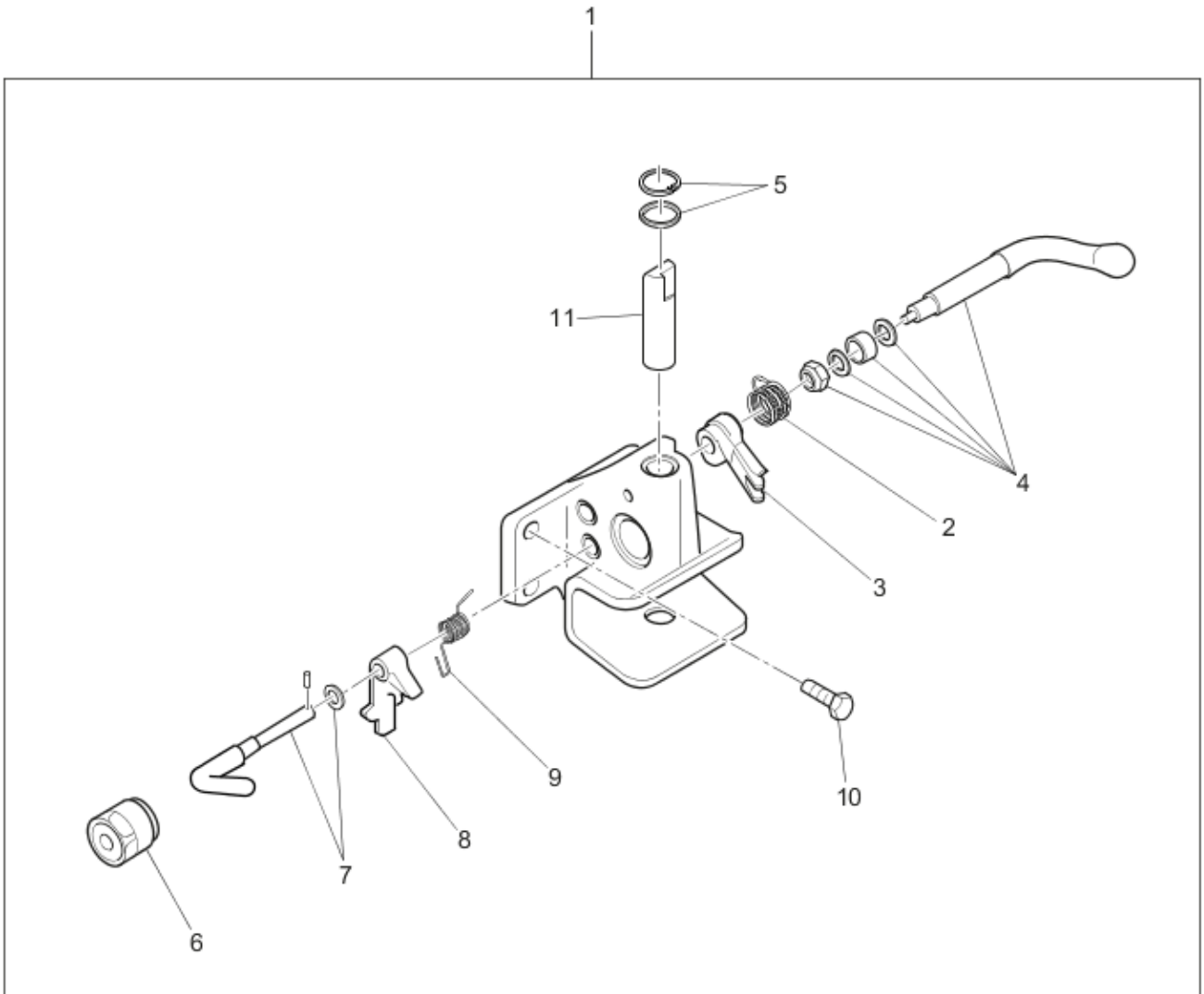
- Thank you very much for reading the preview of the manual.
- You can download the complete manual from: www.heydownloads.com by clicking the link below

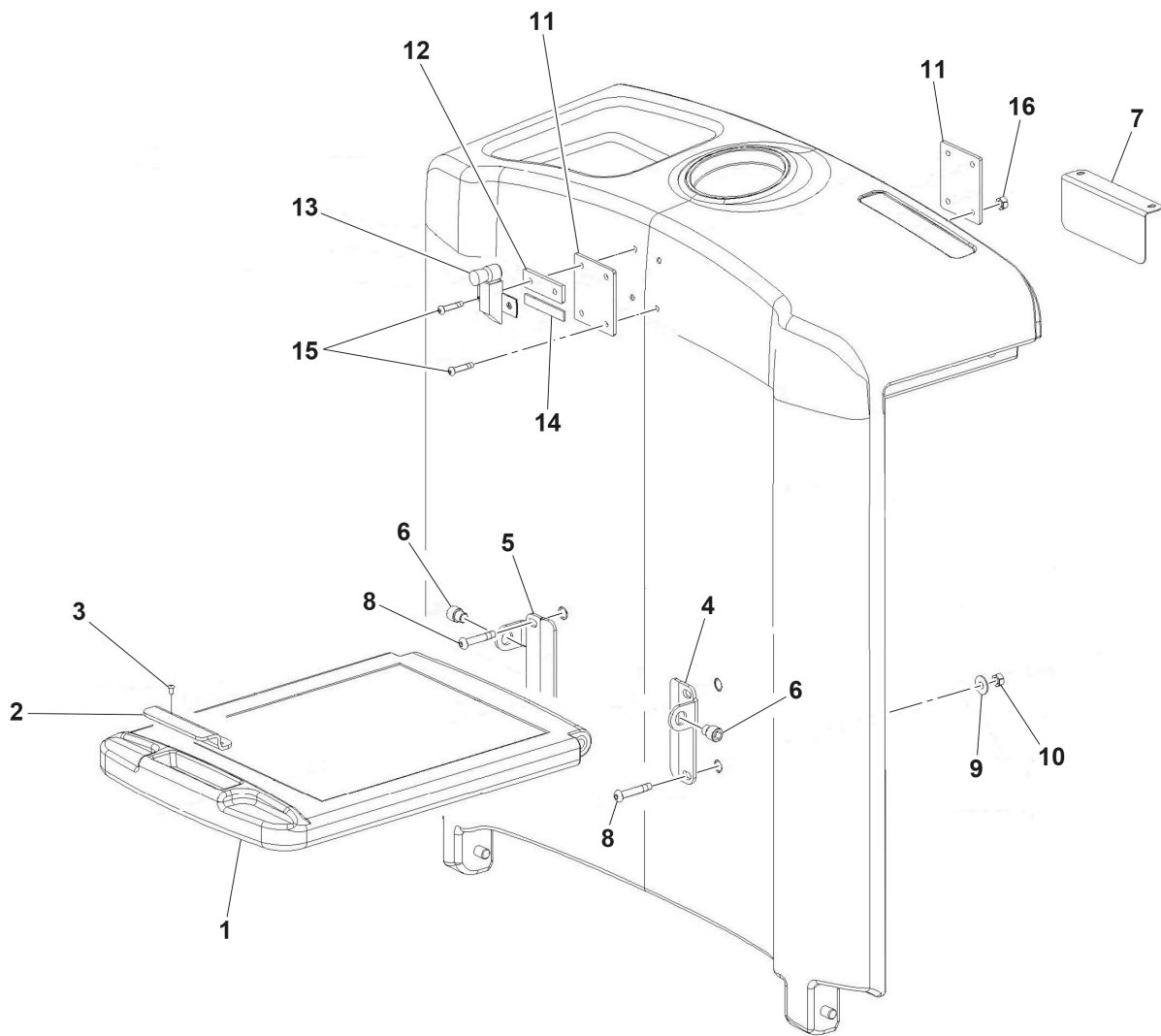
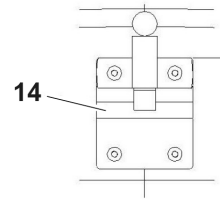
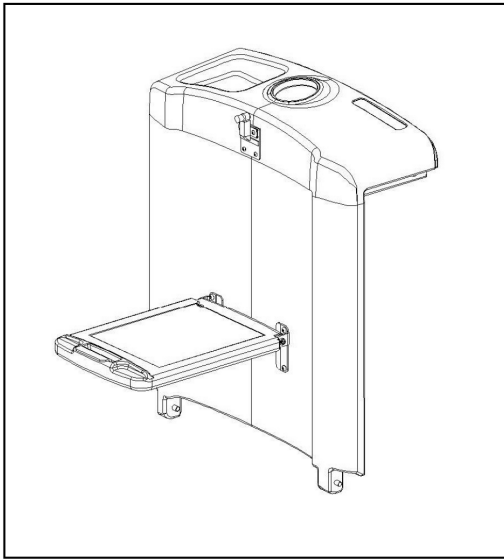


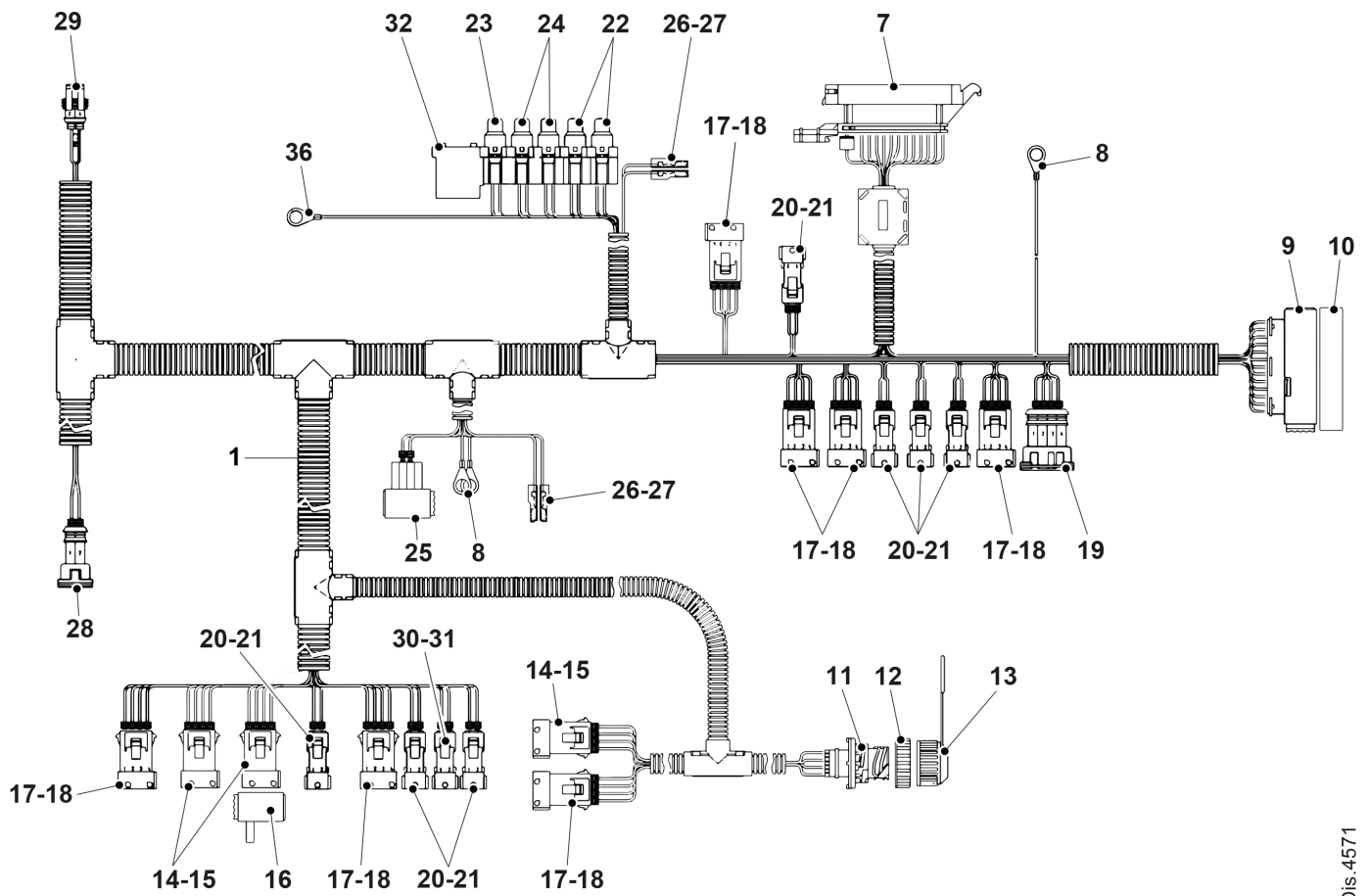
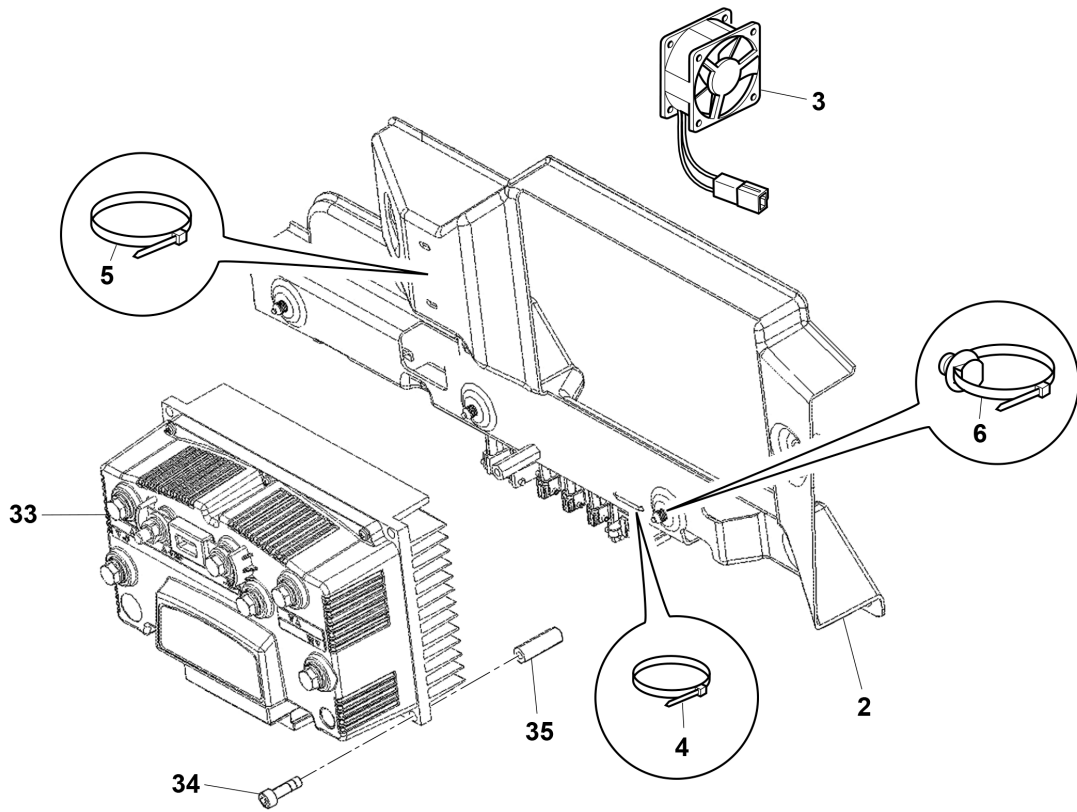
- Please note: If there is no response to CLICKING the link, please download this PDF first and then click on it.

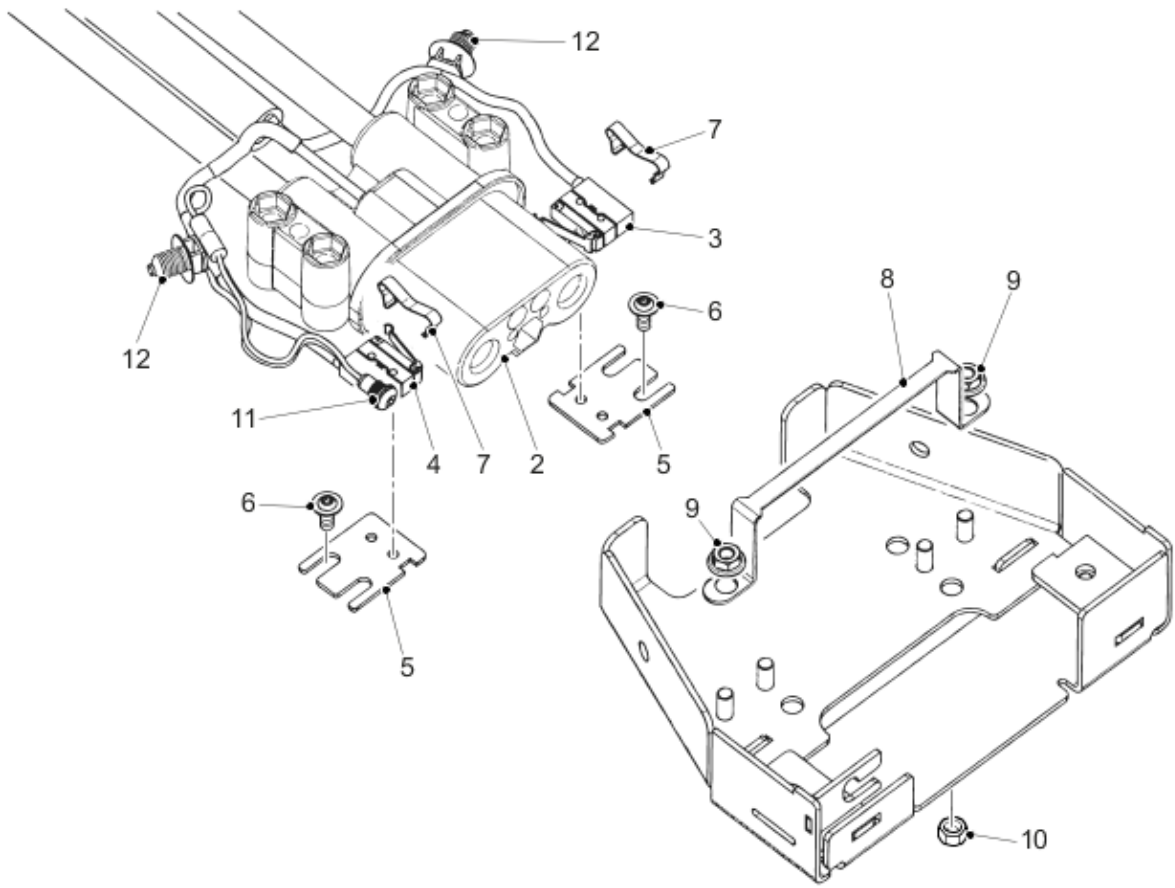
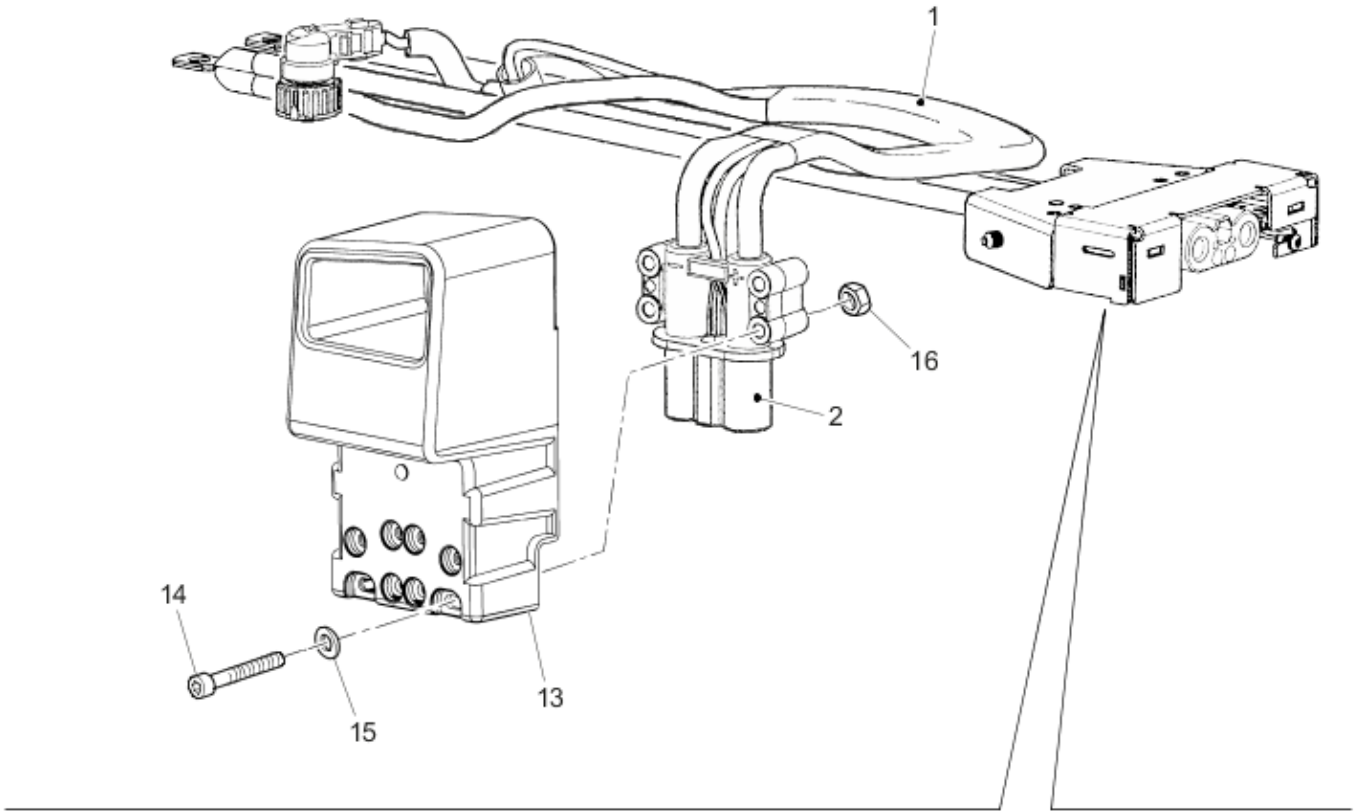
CLICK HERE TO **DOWNLOAD** THE COMPLETE MANUAL

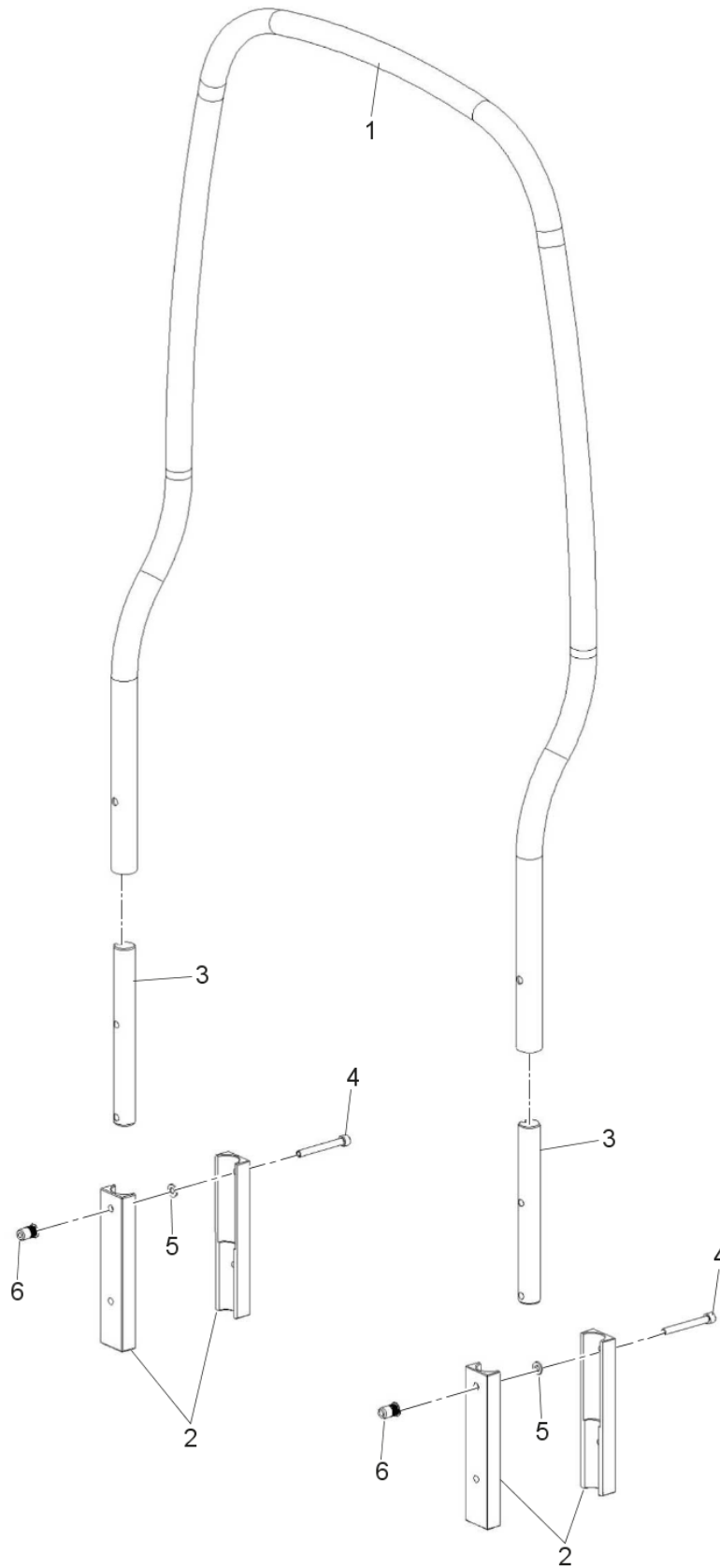


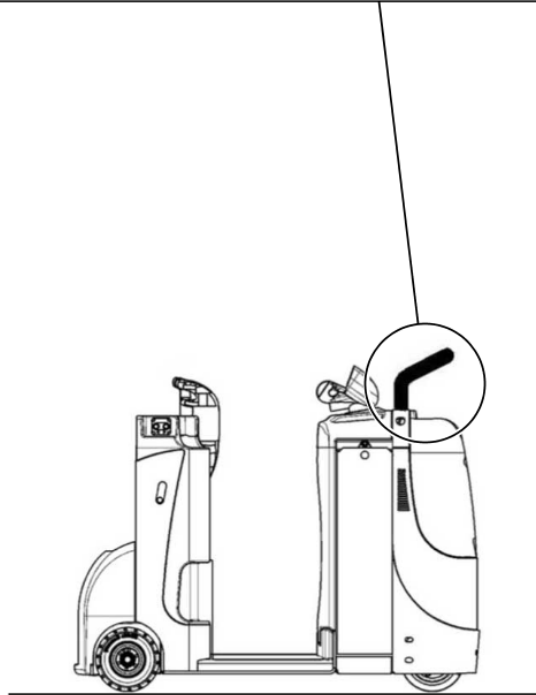
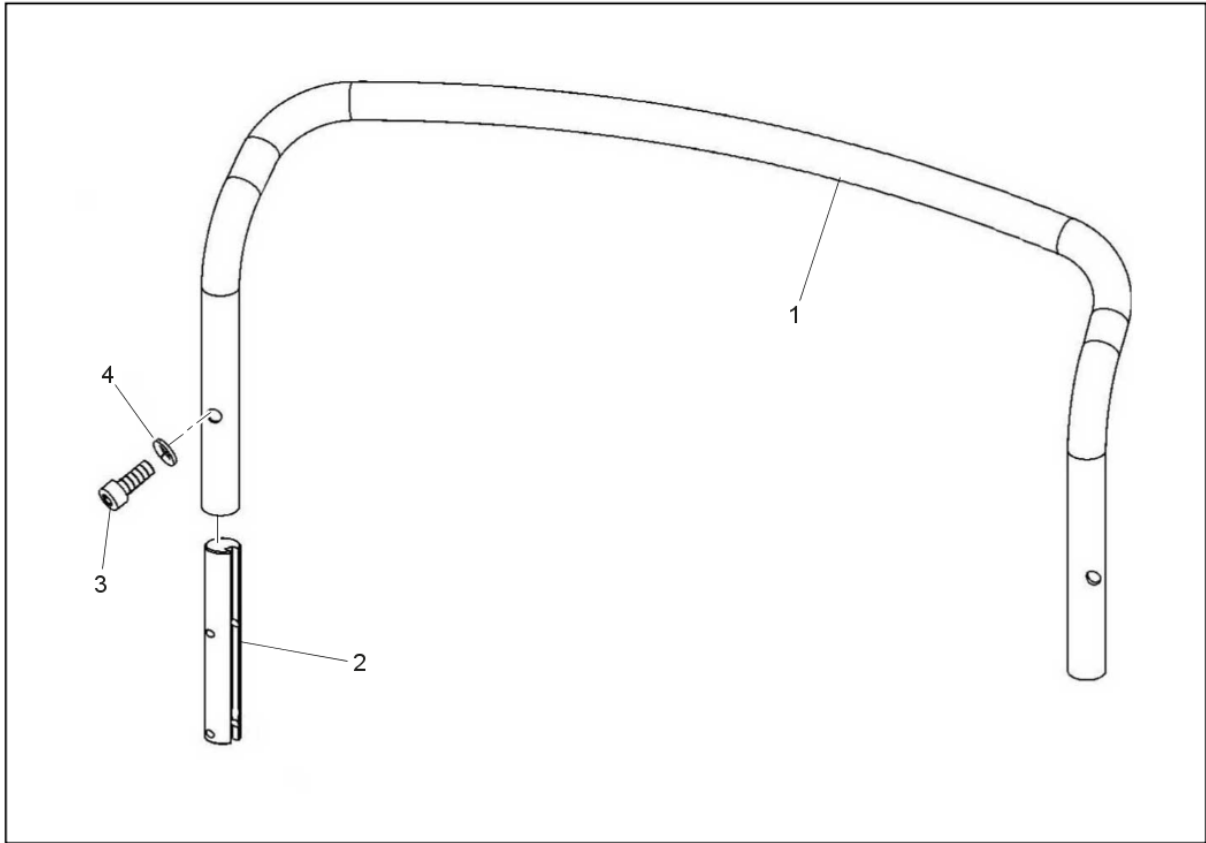


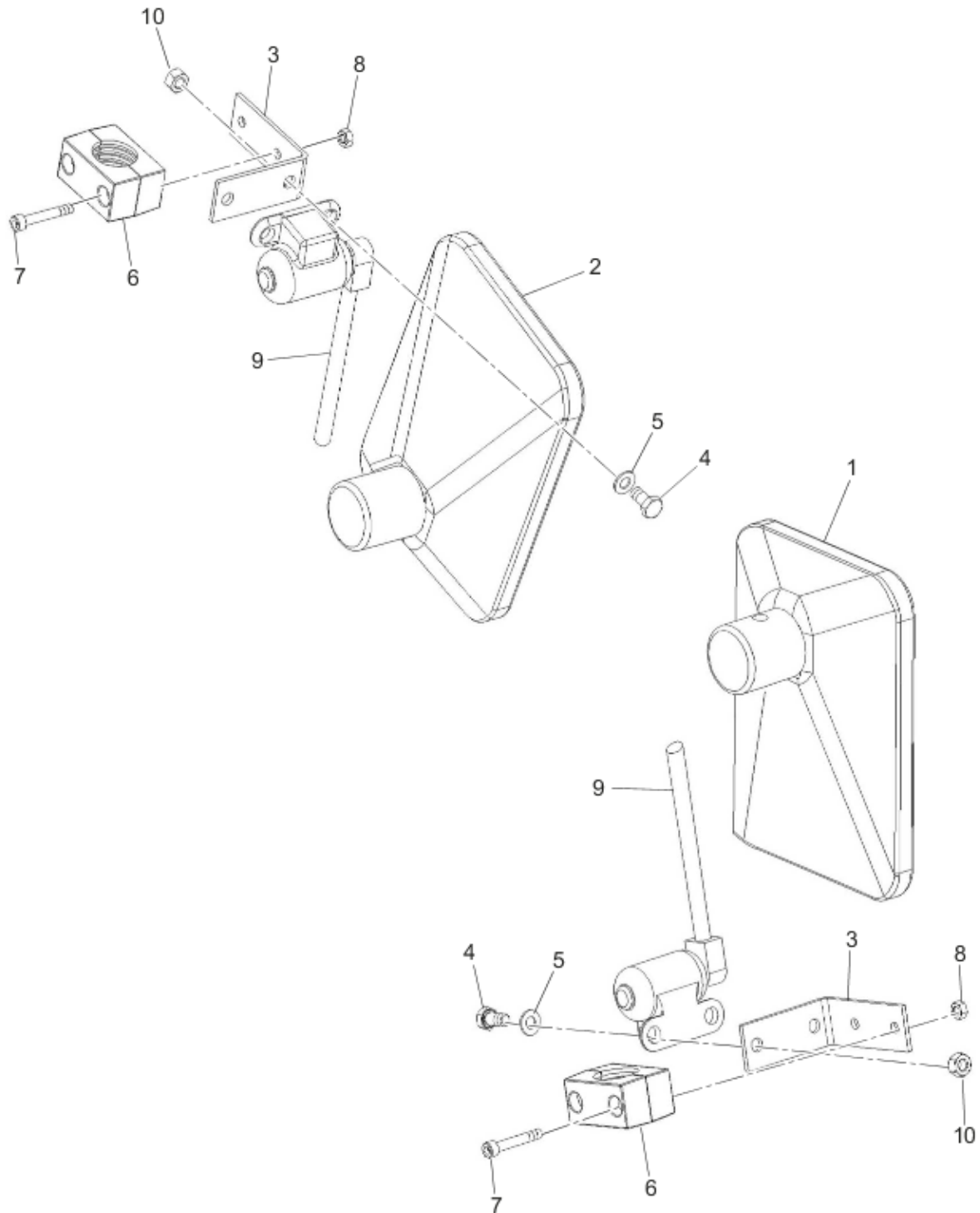


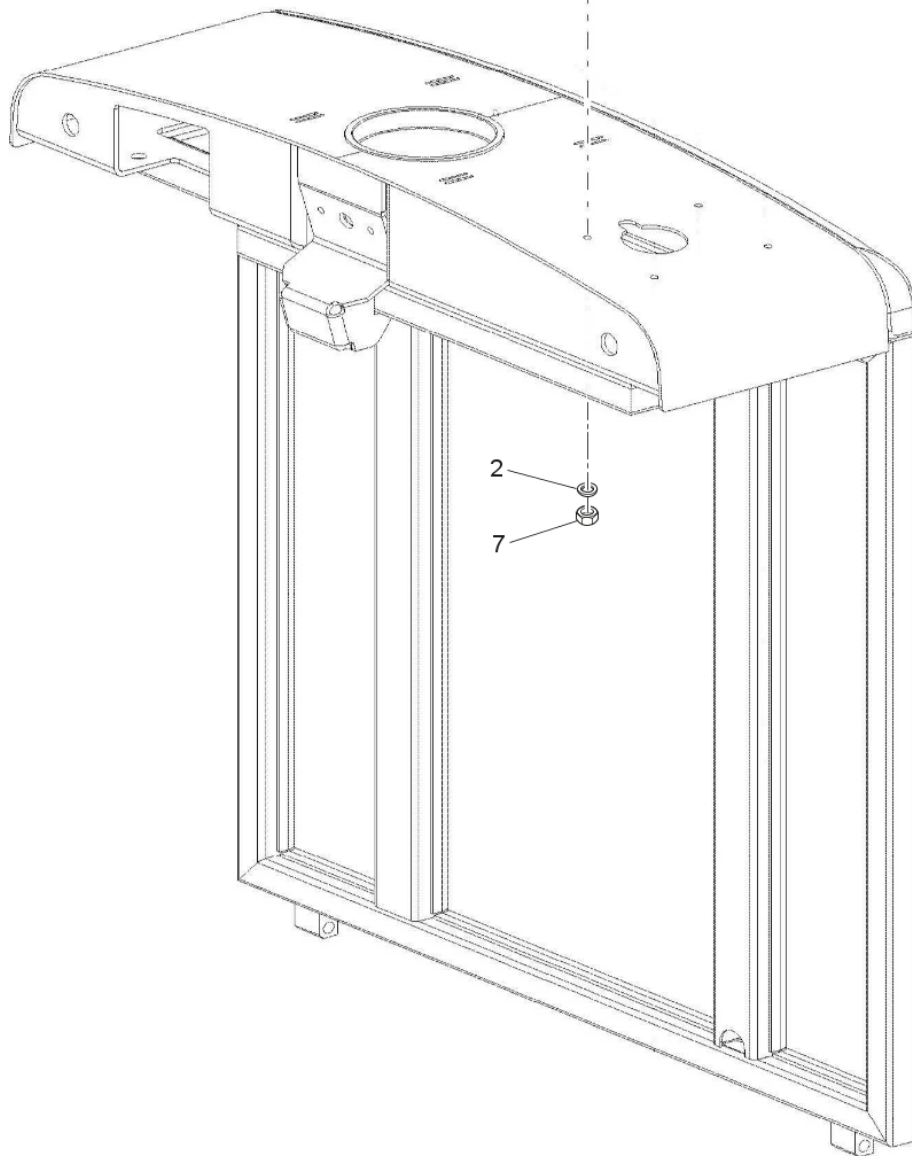
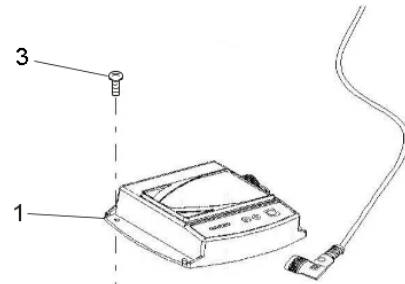
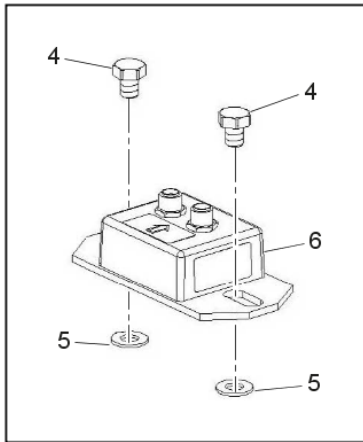


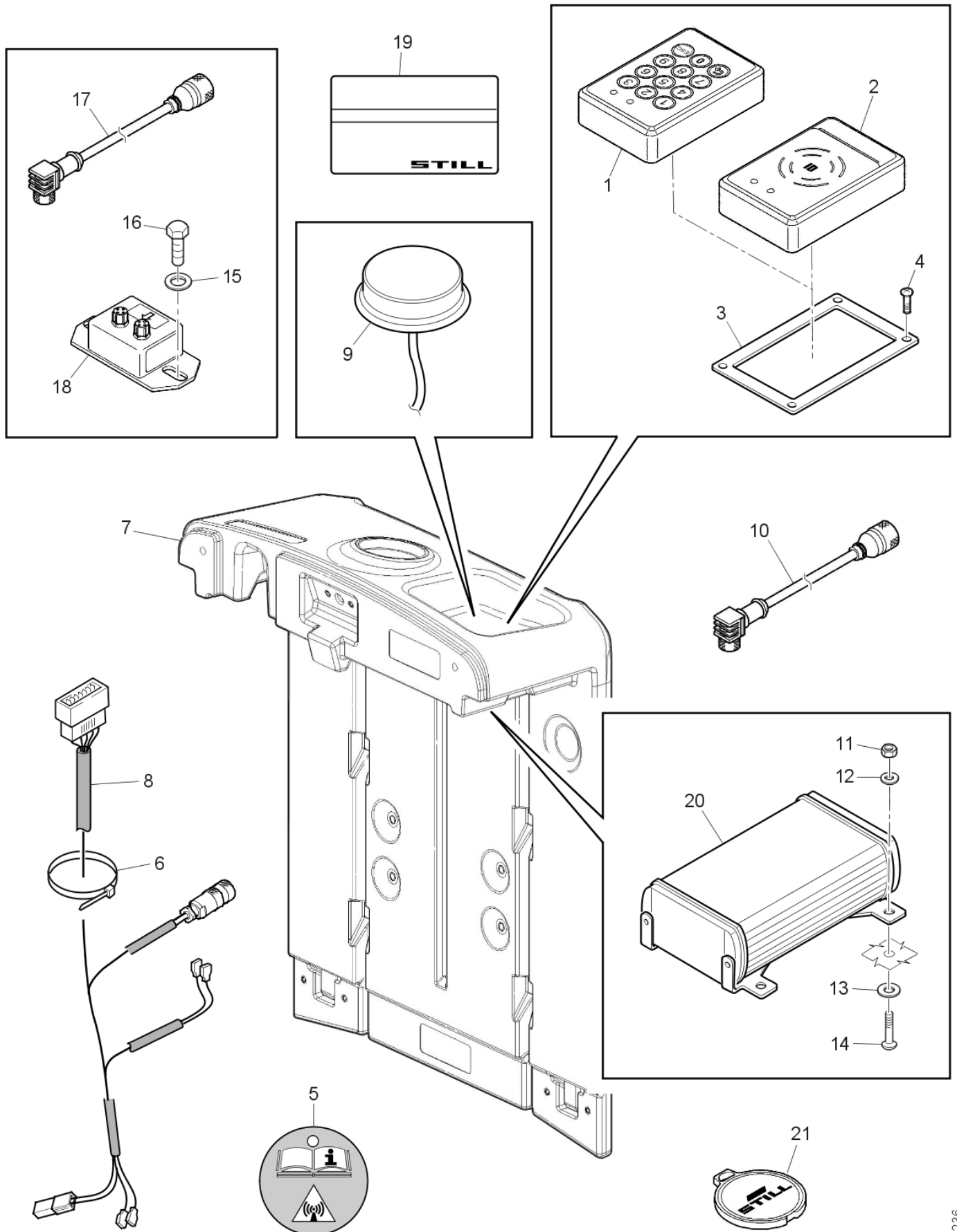


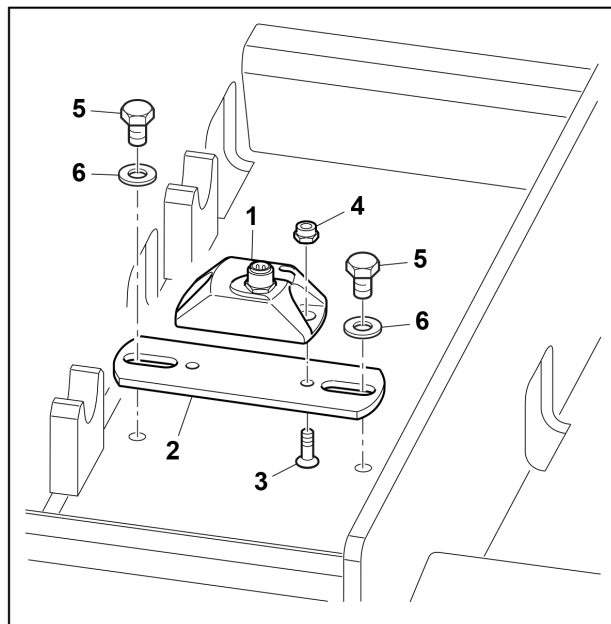






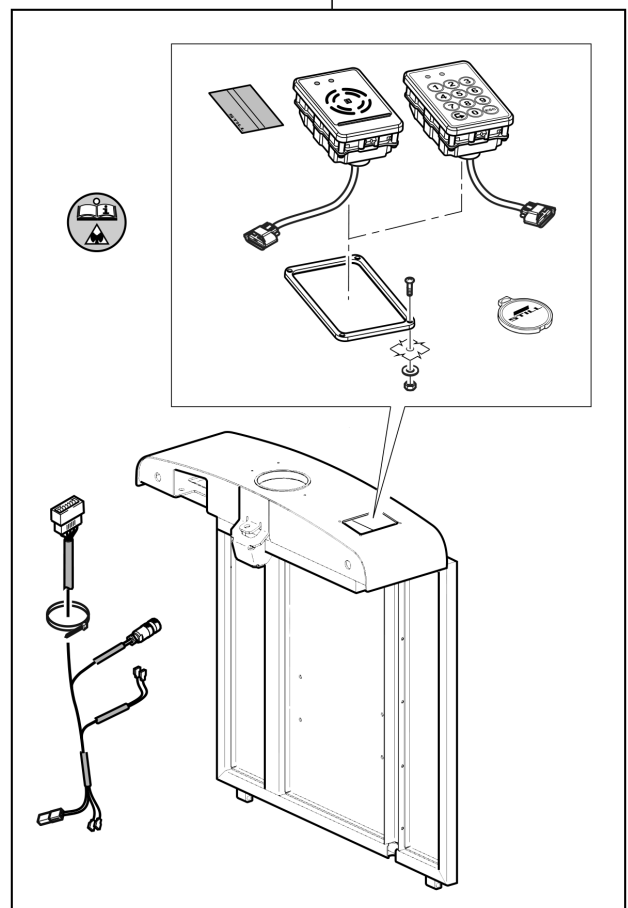
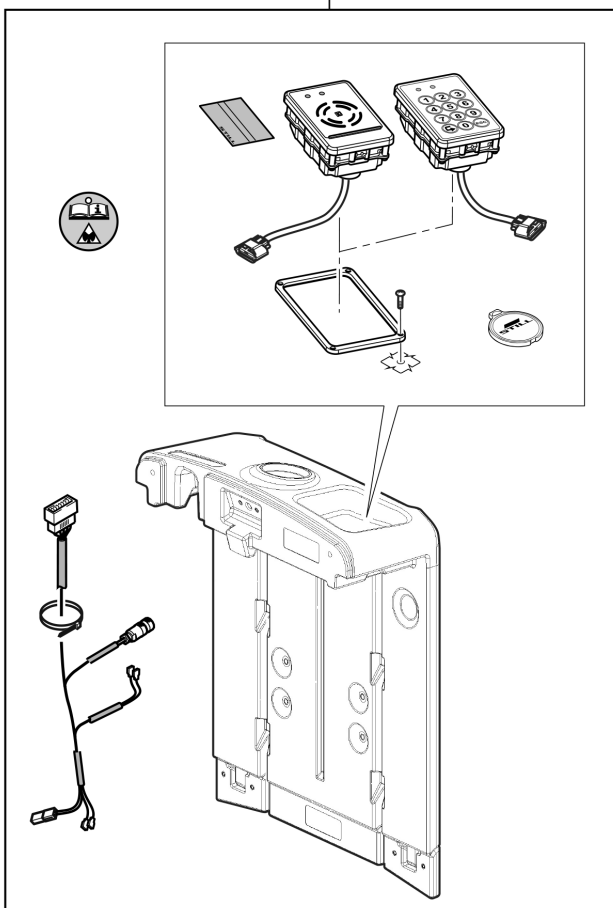






A1

A2



0008042628	Page:	6, 10
0009013074	Page:	36
0009013078	Page:	102, 104
0009034063	Page:	138
0009050205	Page:	78, 80
0009121358	Page:	50
0009124057	Page:	142, 144
0009125096	Page:	36
0009125108	Page:	174
0009142124	Page:	50
0009147009	Page:	36, 44, 50, 58, 102, 104, 202, 204, 206, 208, 210, 212, 218, 222
0009179623	Page:	138
0009179624	Page:	138
0009184643	Page:	54, 60
0009212856	Page:	58
0009214028	Page:	50
0009221520	Page:	56
0009230509	Page:	136
0009230512	Page:	136
0009235005	Page:	144
0009235211	Page:	54, 60
0009240018	Page:	20
0009249389	Page:	146
0009249390	Page:	146
0009362011	Page:	172, 174
0009384502	Page:	264, 266, 268, 270
0009384812	Page:	266, 270
0009384813	Page:	266, 270
0009440961	Page:	138
0009444300	Page:	132
0009444304	Page:	138
0009444508	Page:	138
0009445005	Page:	130
0009445110	Page:	138
0009445116	Page:	132, 138
0009452218	Page:	130
0009512491	Page:	132, 138
0009518046	Page:	130
0009524087	Page:	138
0009625090	Page:	130
0009631085	Page:	138
0009632109	Page:	20
0009643832	Page:	56
0009652000	Page:	58
0009652620	Page:	58

45843800500	Page:	200
4665024	Page:	136
50010063139	Page:	264, 268
50012531013	Page:	26
50013500507	Page:	20
50013510503	Page:	26
50014017209	Page:	234, 236, 238, 240, 242, 244, 248, 250
50014232301	Page:	60
50014232601	Page:	60
50014307800	Page:	214, 220
50014322312	Page:	108, 112, 114, 116, 118
50015420500	Page:	32
50018043315	Page:	198
50018043316	Page:	198
50018043317	Page:	198
50018043318	Page:	198
50018043319	Page:	198
50018043320	Page:	198
50018043321	Page:	198
50018043322	Page:	198
50018043323	Page:	198
50018043324	Page:	198
50018043325	Page:	198
50018043326	Page:	198
50018043327	Page:	198
50018043328	Page:	198
50018043329	Page:	198
50018043330	Page:	198
50018043331	Page:	198
50018043332	Page:	198
50018043333	Page:	198
50018043334	Page:	198
50018043335	Page:	198
50018043336	Page:	198
50018043337	Page:	198
50018043338	Page:	198
50018043339	Page:	198
50018043340	Page:	198
50023606700	Page:	130
50023630802	Page:	134
50023630805	Page:	134
50024322301	Page:	136
50024391043	Page:	130
50028502630	Page:	146
50028510921	Page:	136

CLICK HERE TO **DOWNLOAD** THE COMPLETE MANUAL

- Thank you very much for reading the preview of the manual.
- You can download the complete manual from: www.heydownloads.com by clicking the link below



- Please note: If there is no response to CLICKING the link, please download this PDF first and then click on it.

CLICK HERE TO **DOWNLOAD** THE COMPLETE MANUAL