

EXU 20

Elektro - Deichsel - Hubwagen
Electric Pallet Truck
Transpalette électrique
Carrello a forche elettrico
Electrocarretilla de horquilla



Ersatz- teil- Liste	Spare Parts List	Catalogue de pièces détachées	Catalogo parti di ricambio	Catálogo de recambio
------------------------------------	---------------------------------	--	---	-------------------------------------

Ident-Nr. 4 492 328 - 04.09

71 0147 X 00001

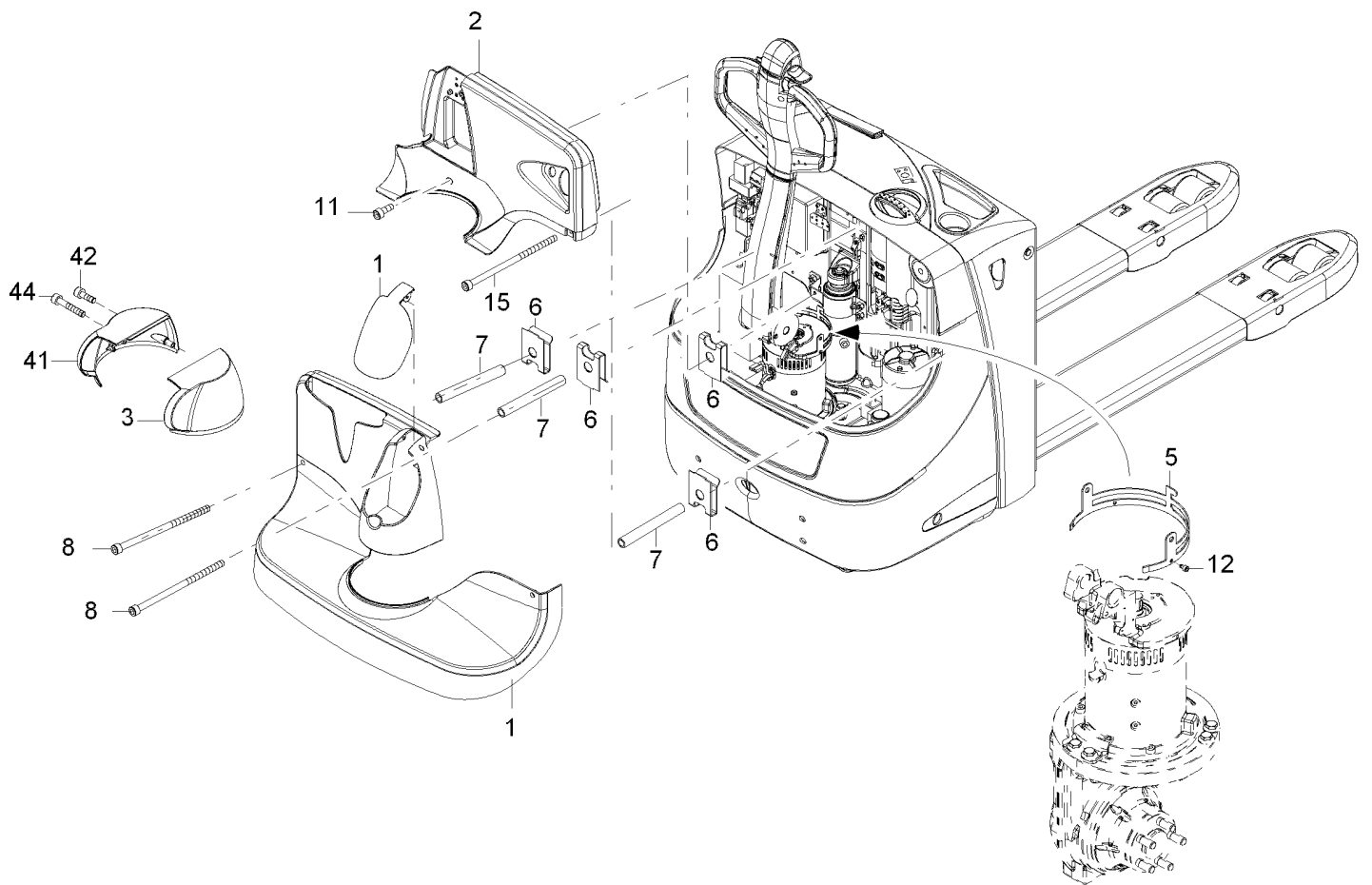
CLICK HERE TO **DOWNLOAD** THE COMPLETE MANUAL

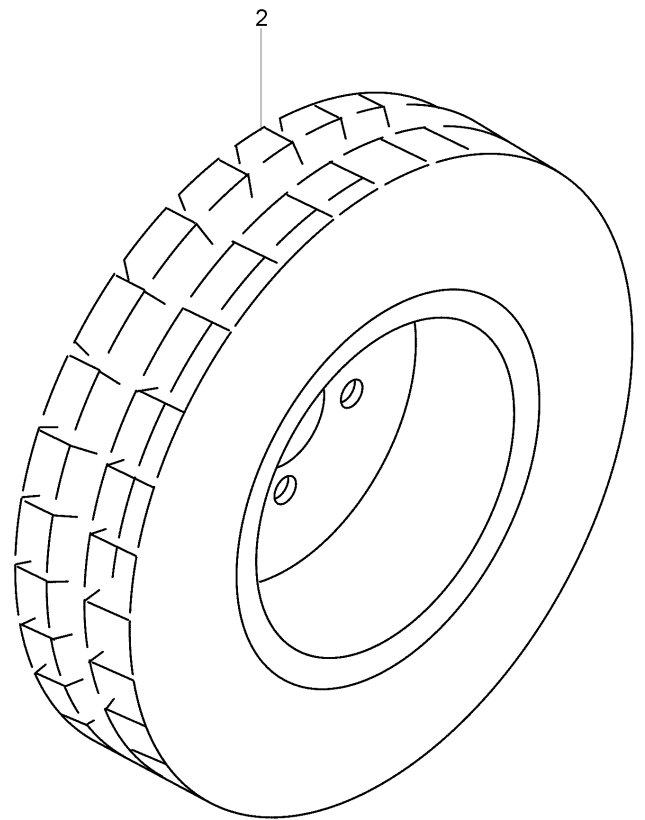
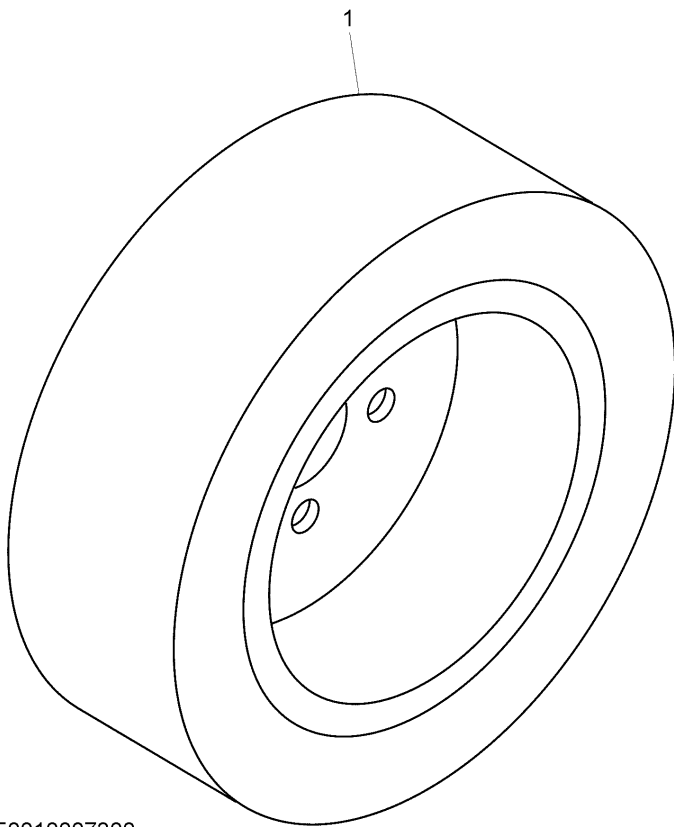
- Thank you very much for reading the preview of the manual.
- You can download the complete manual from: www.heydownloads.com by clicking the link below



- Please note: If there is no response to CLICKING the link, please download this PDF first and then click on it.

CLICK HERE TO **DOWNLOAD** THE COMPLETE MANUAL





50010007300

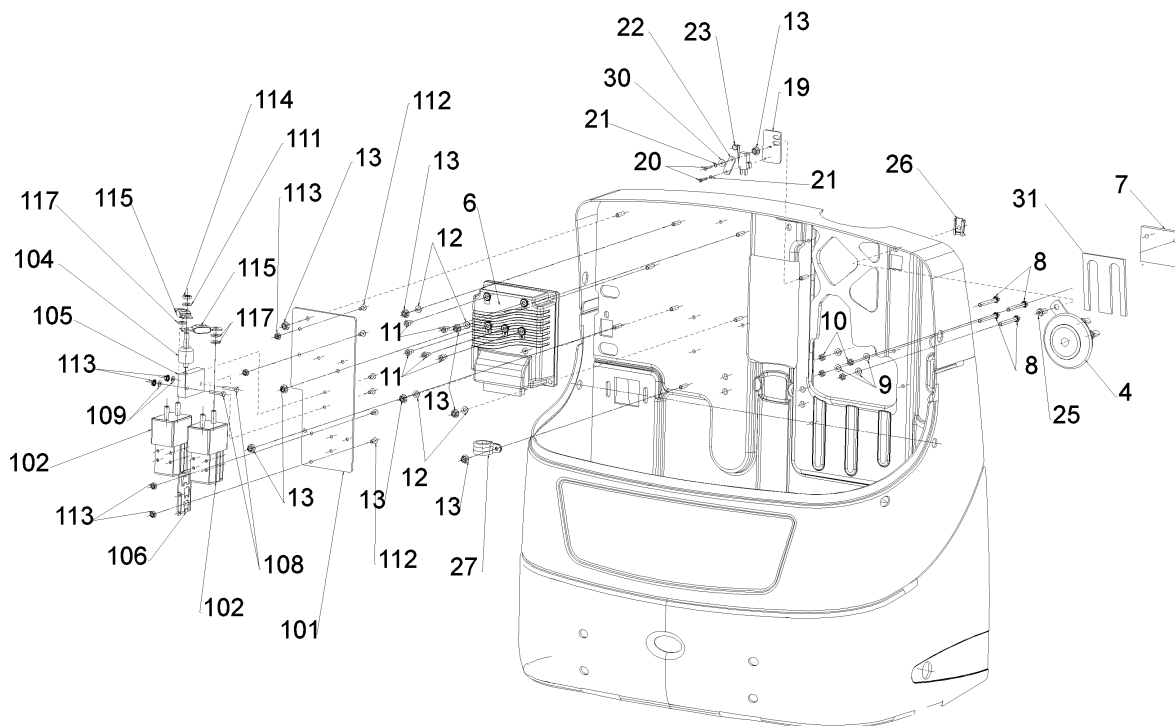
CLICK HERE TO **DOWNLOAD** THE COMPLETE MANUAL

- Thank you very much for reading the preview of the manual.
- You can download the complete manual from: www.heydownloads.com by clicking the link below

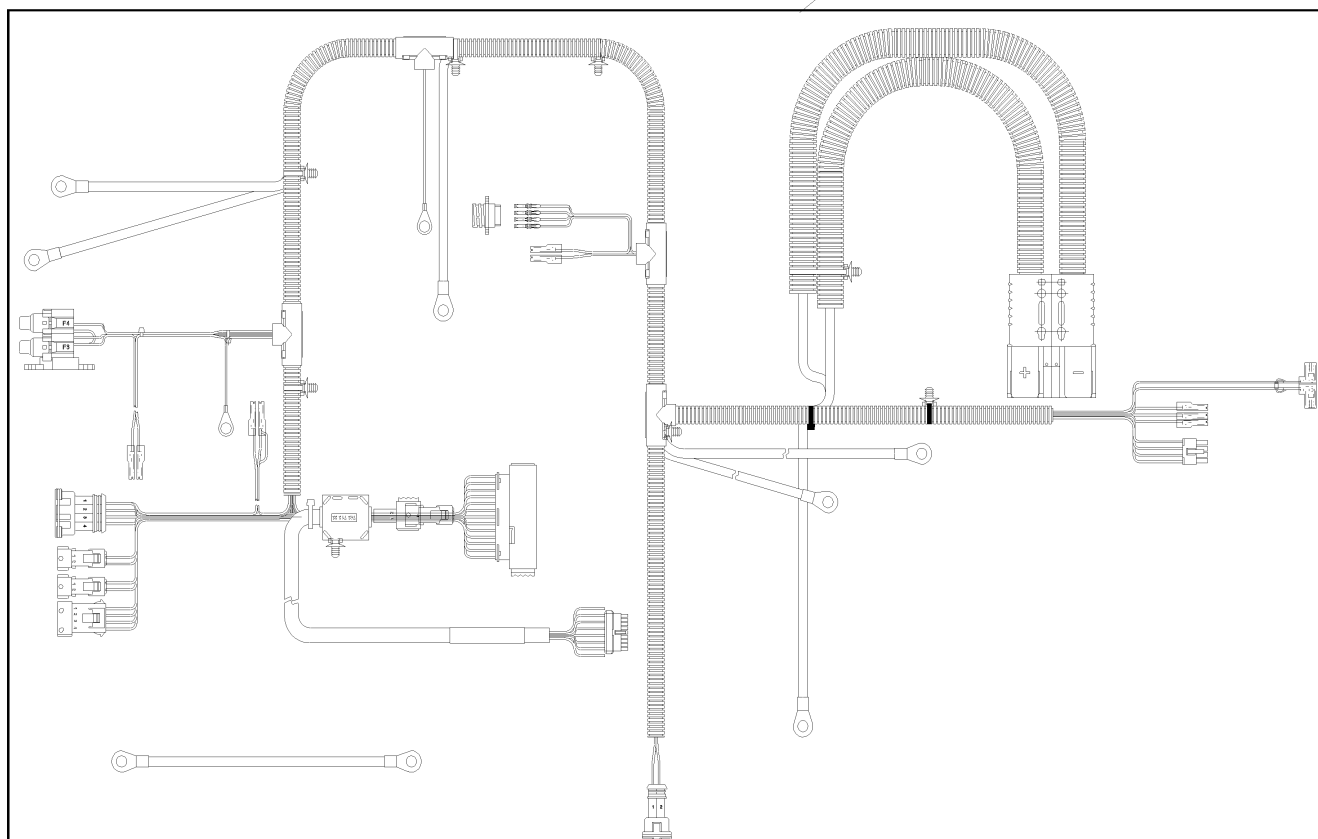


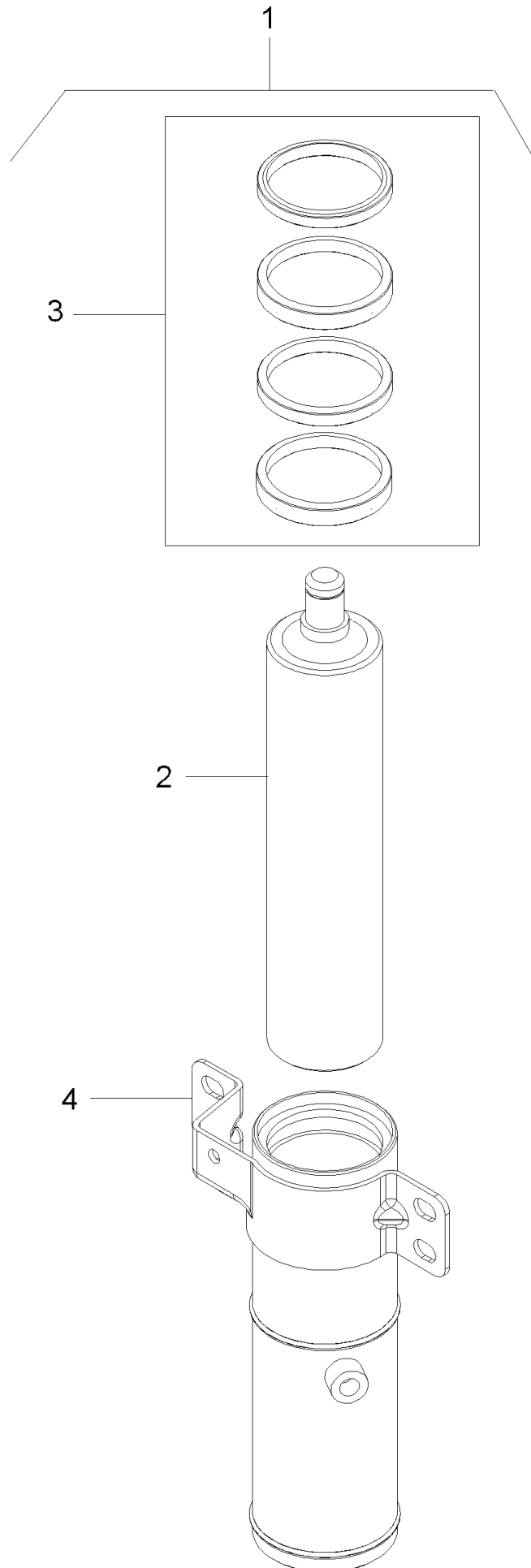
- Please note: If there is no response to CLICKING the link, please download this PDF first and then click on it.

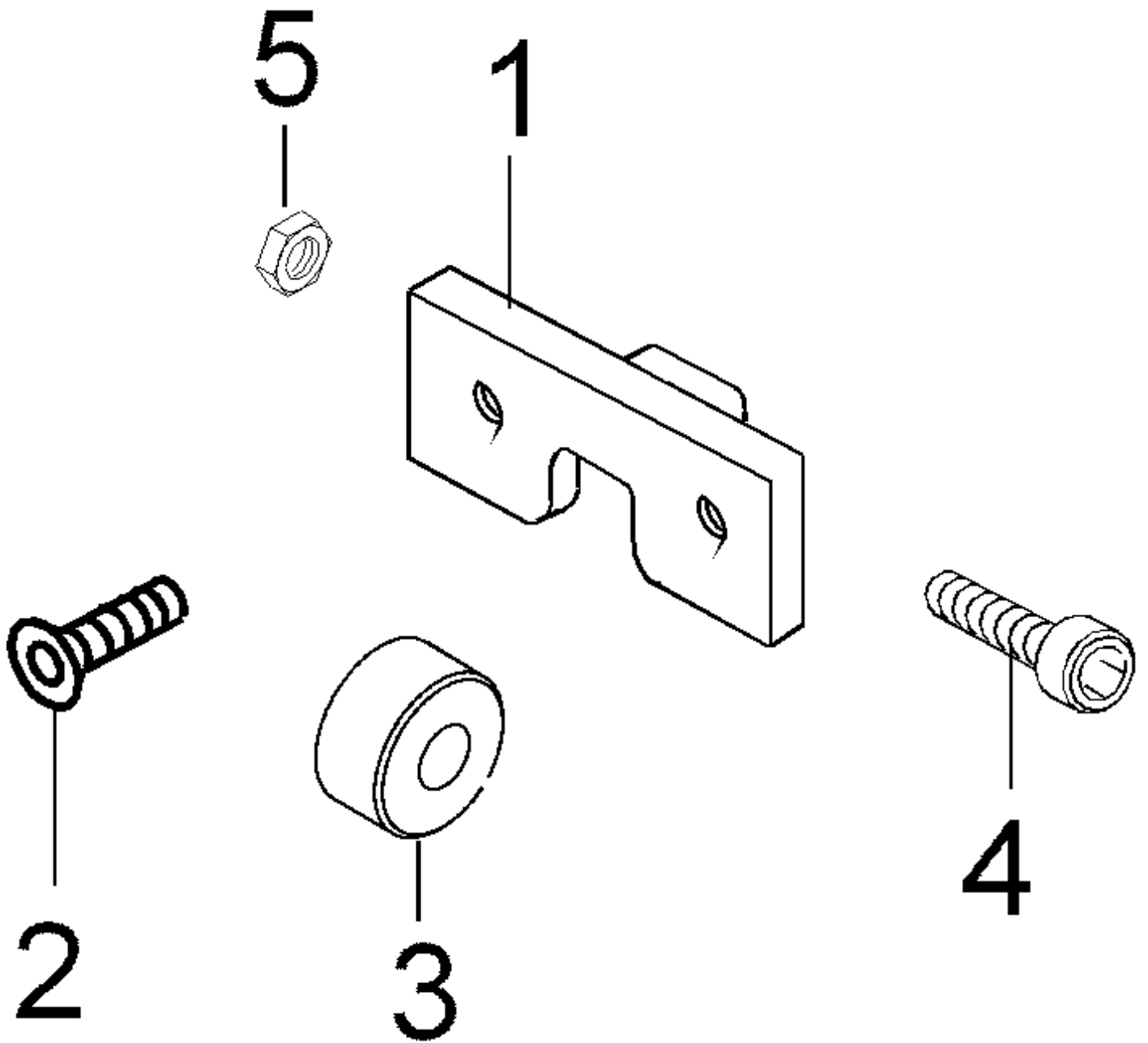
CLICK HERE TO **DOWNLOAD** THE COMPLETE MANUAL



119







CLICK HERE TO **DOWNLOAD** THE COMPLETE MANUAL

- Thank you very much for reading the preview of the manual.
- You can download the complete manual from: www.heydownloads.com by clicking the link below



- Please note: If there is no response to CLICKING the link, please download this PDF first and then click on it.

CLICK HERE TO **DOWNLOAD** THE COMPLETE MANUAL