

ERSATZTEILLISTE

Spare Parts List
Catalogue de pièces détachées
Catalogo parti di ricambio
Catálogo de recambio

HORIZONTAL-KOMMISSIONIERER

Horizontal order picker truck
Préparateur de commande au sol
Carrello elevatore orizzontale per la composizione di ordini
Carretilla elevadora horizontal

STILL ELECTRONIC DOCUMENTATION SYSTEM

CX-M

Gültig ab Fabriknummer:
Valid from serial number:
Valable à partir du numéro de série:
Valido desde el número de serie:
Valido dal numero di serie:

F21064C00001



first in intralogistics

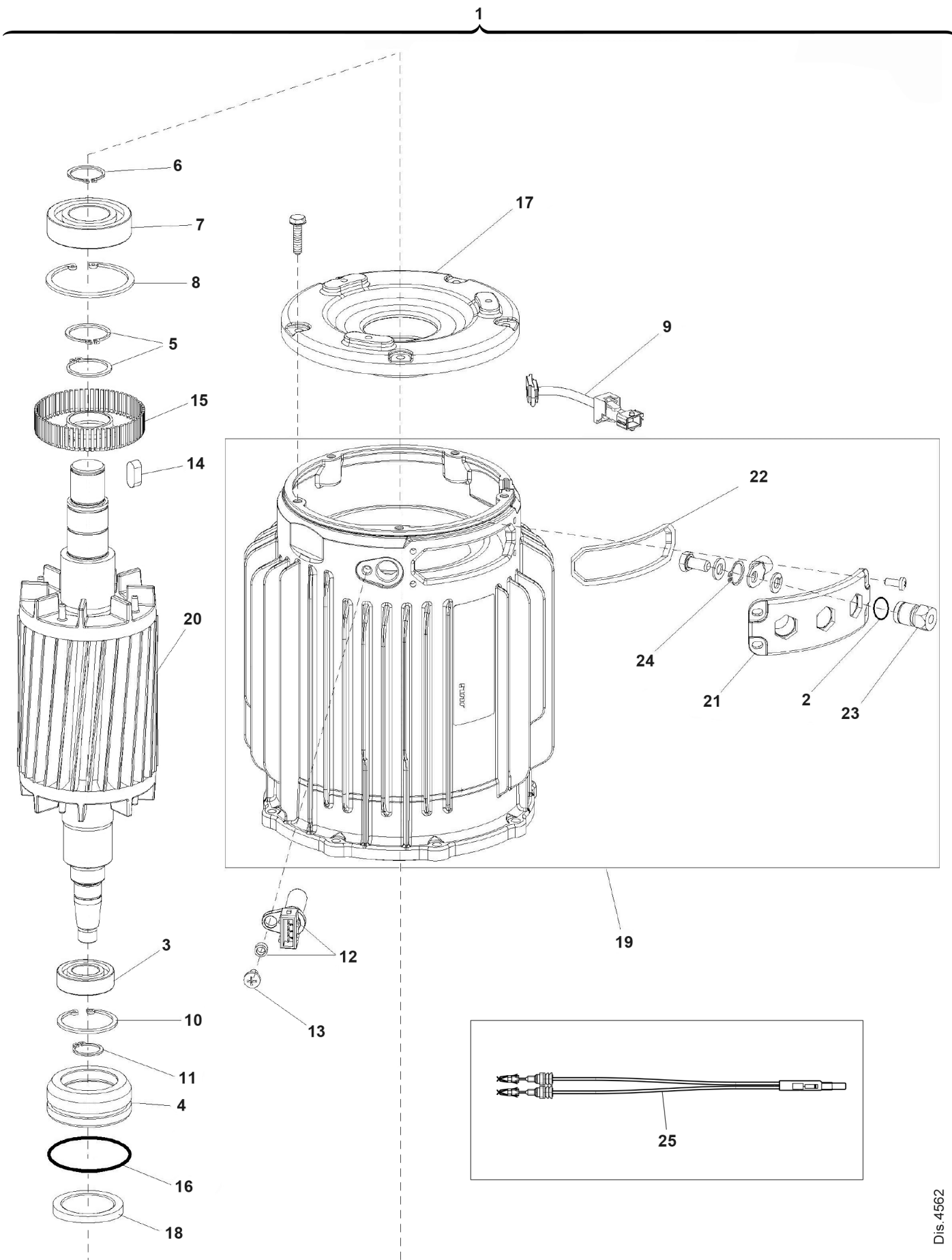
CLICK HERE TO **DOWNLOAD** THE COMPLETE MANUAL

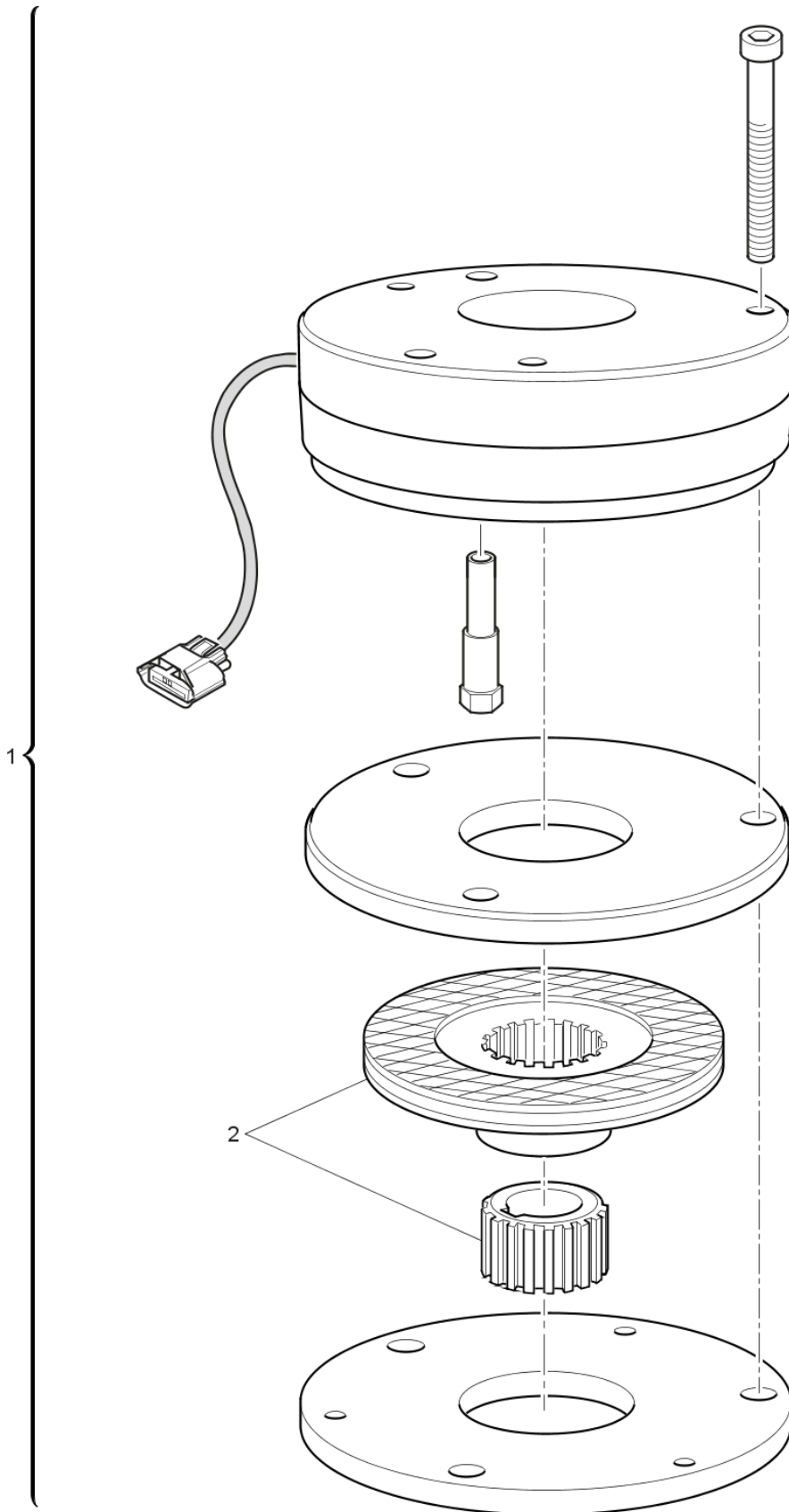
- Thank you very much for reading the preview of the manual.
- You can download the complete manual from: www.heydownloads.com by clicking the link below

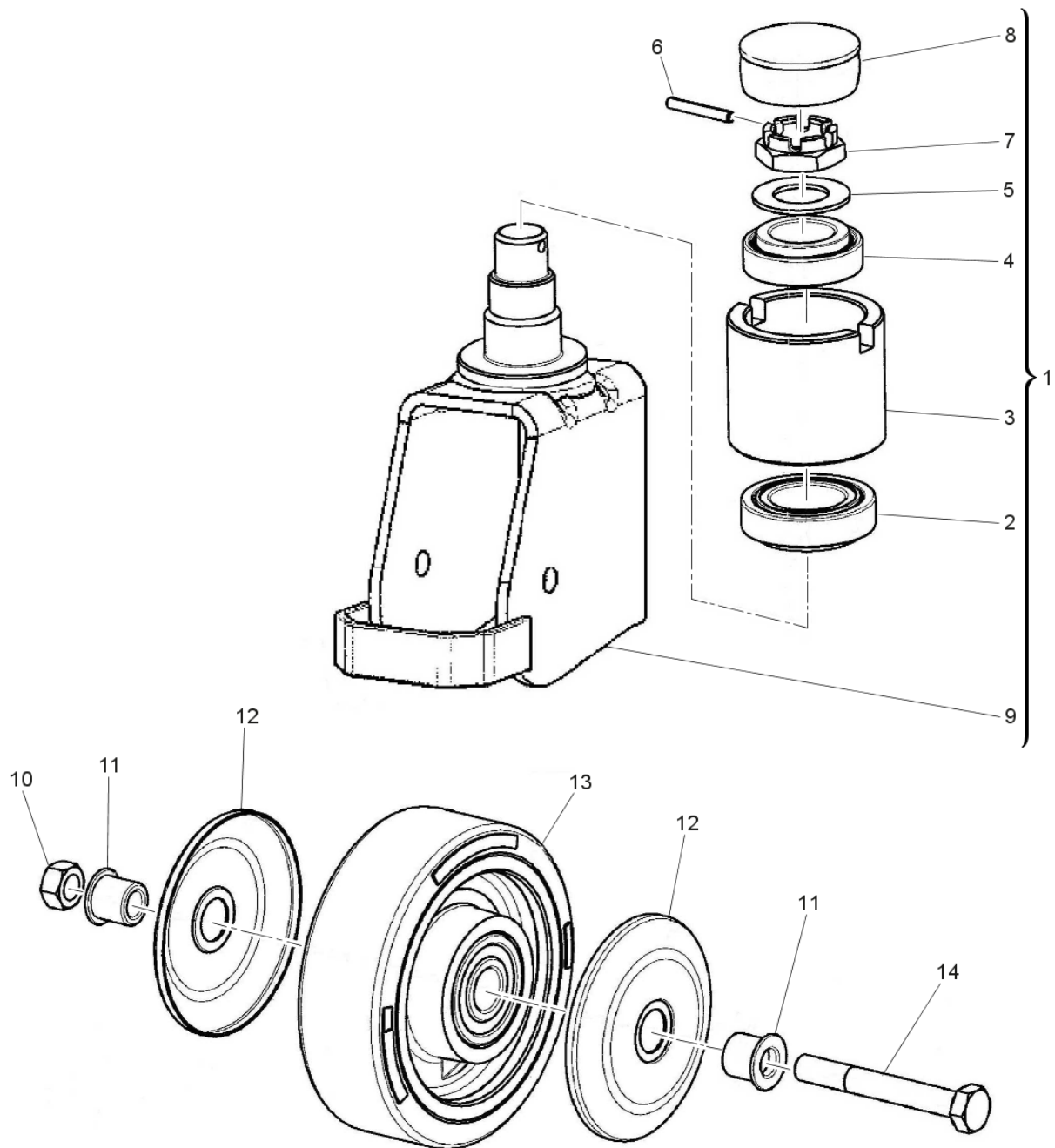


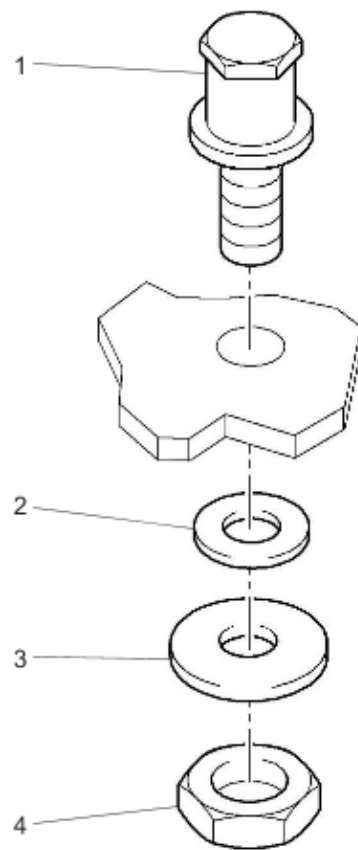
- Please note: If there is no response to CLICKING the link, please download this PDF first and then click on it.

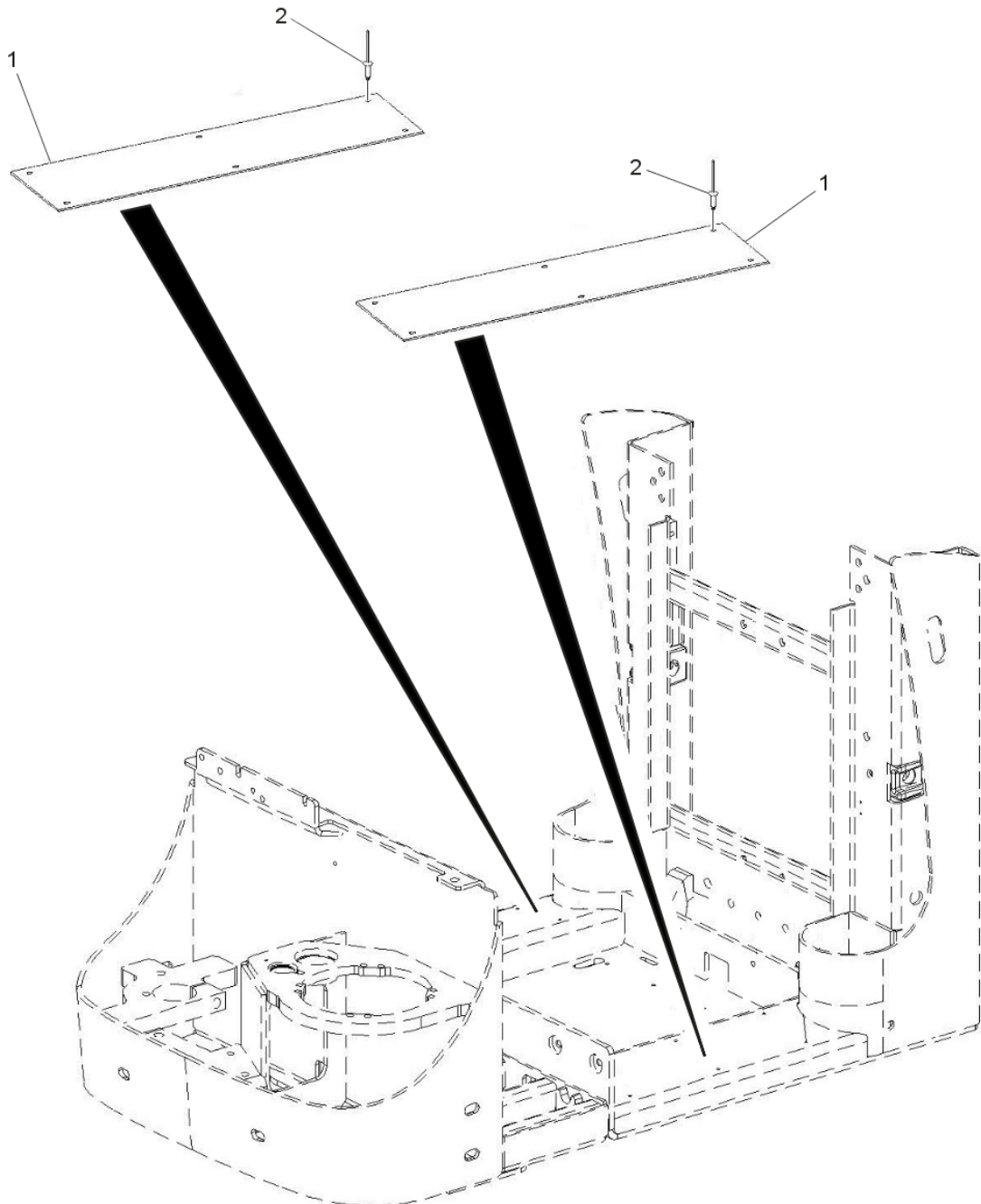
CLICK HERE TO **DOWNLOAD** THE COMPLETE MANUAL

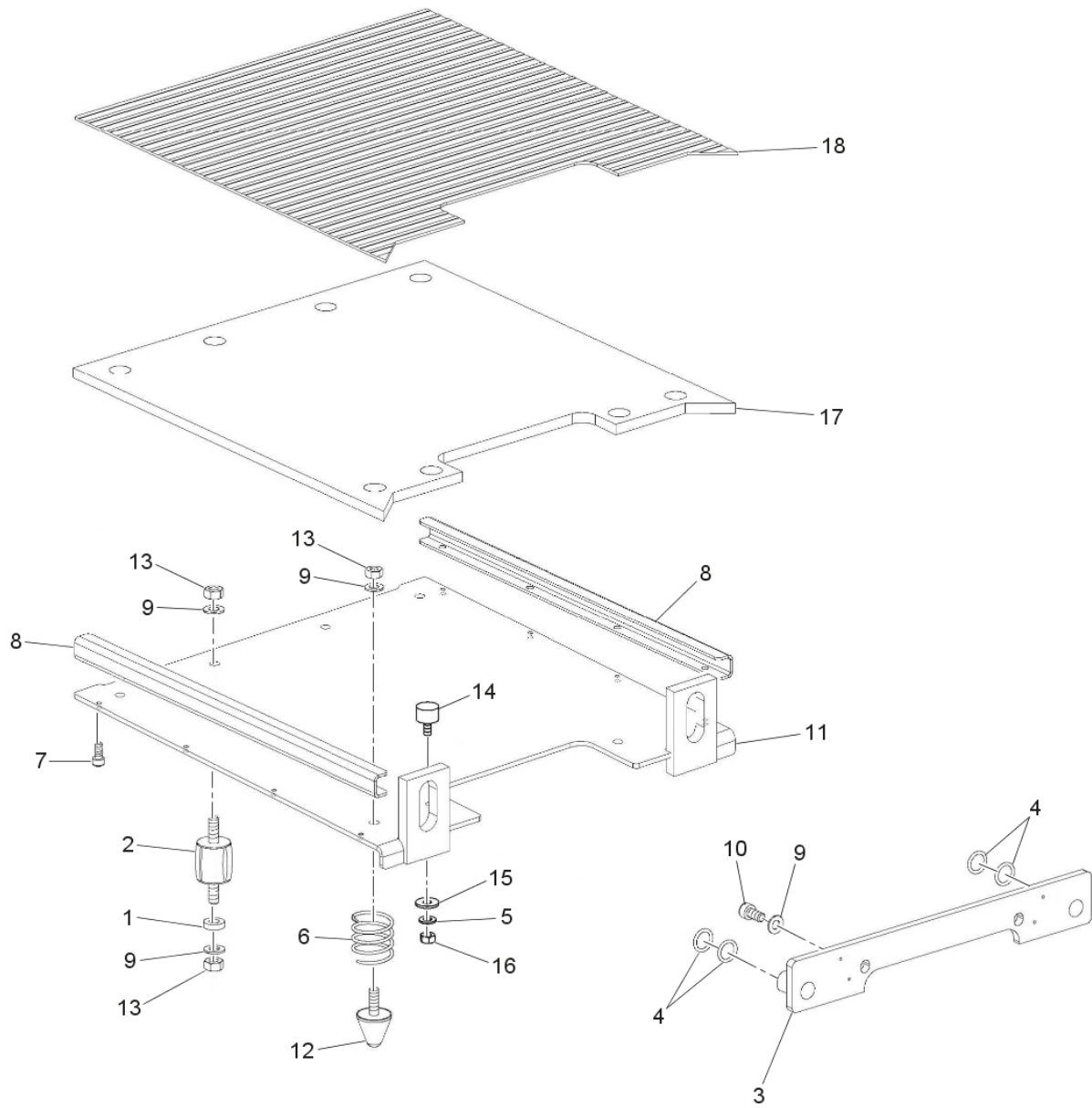


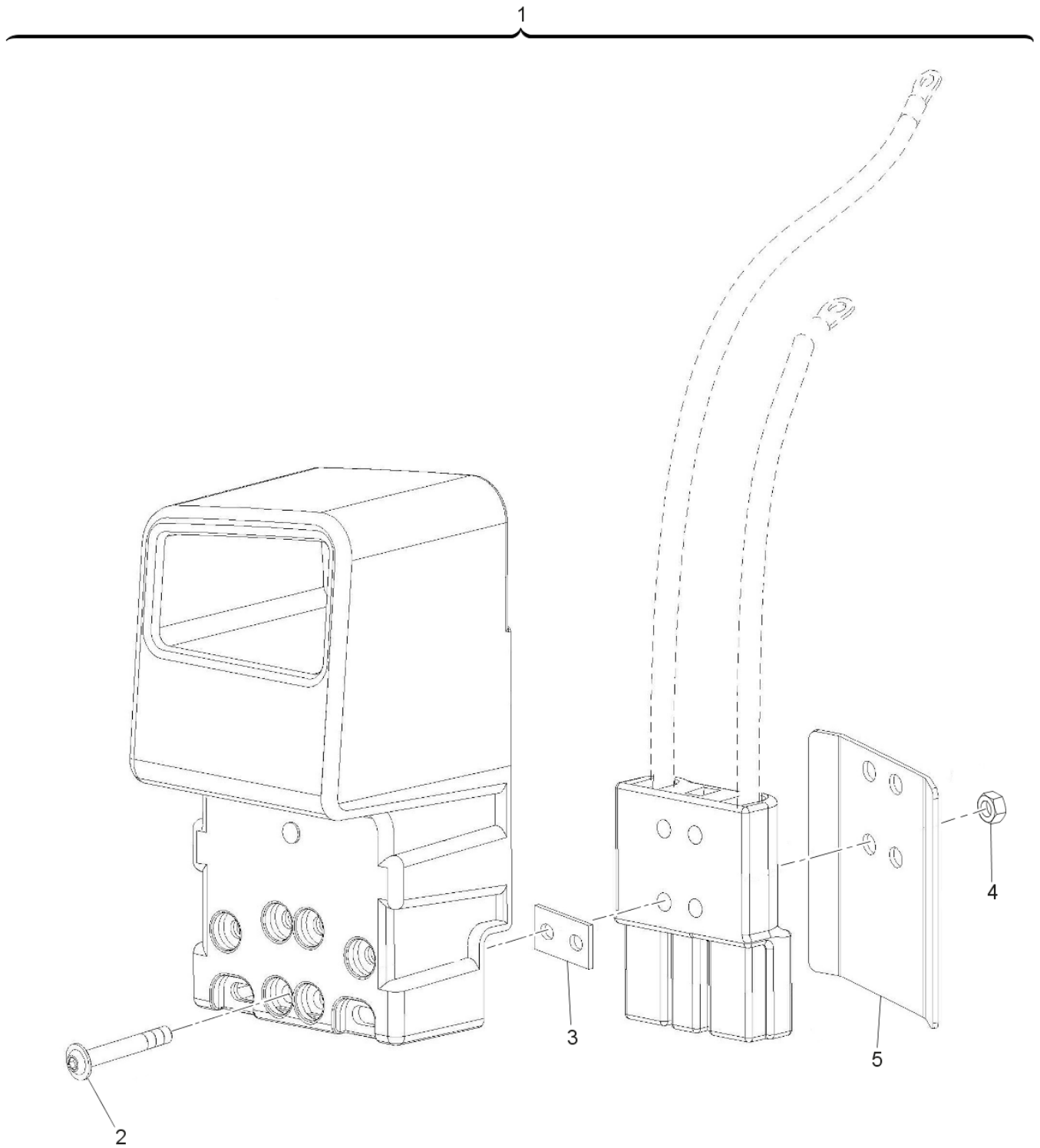












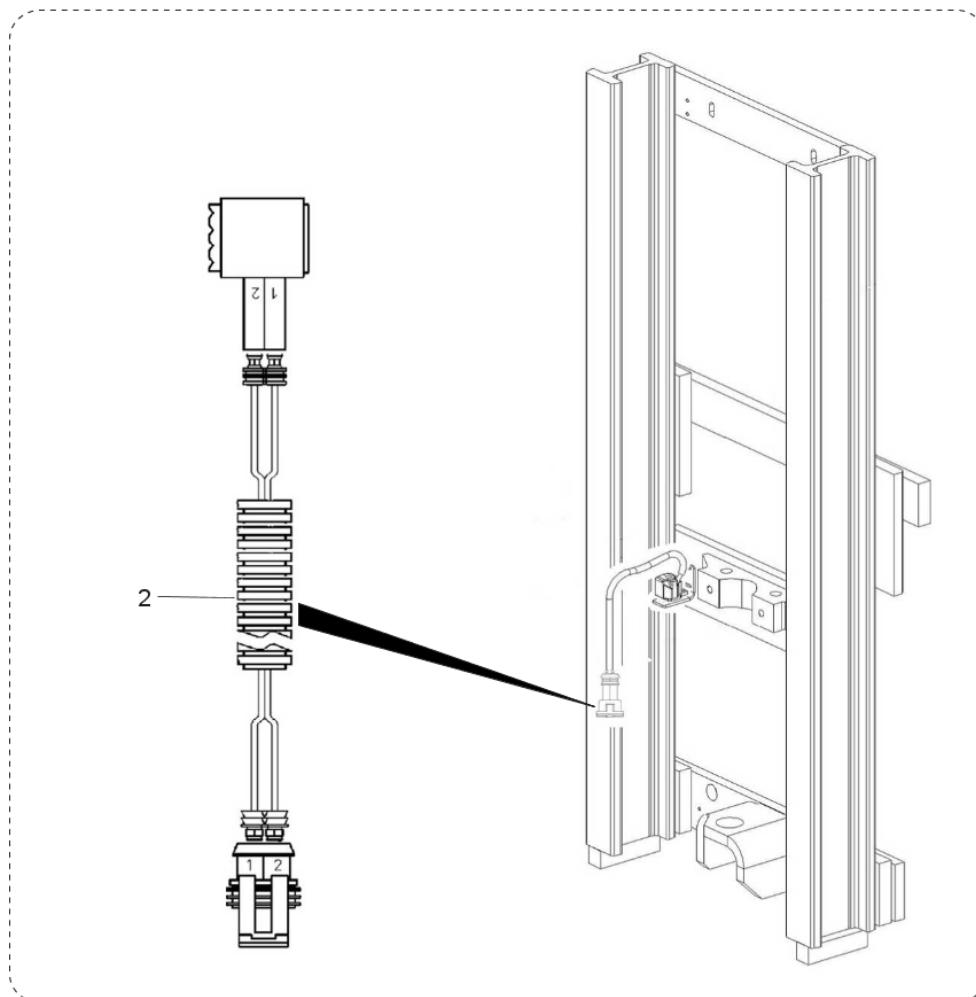
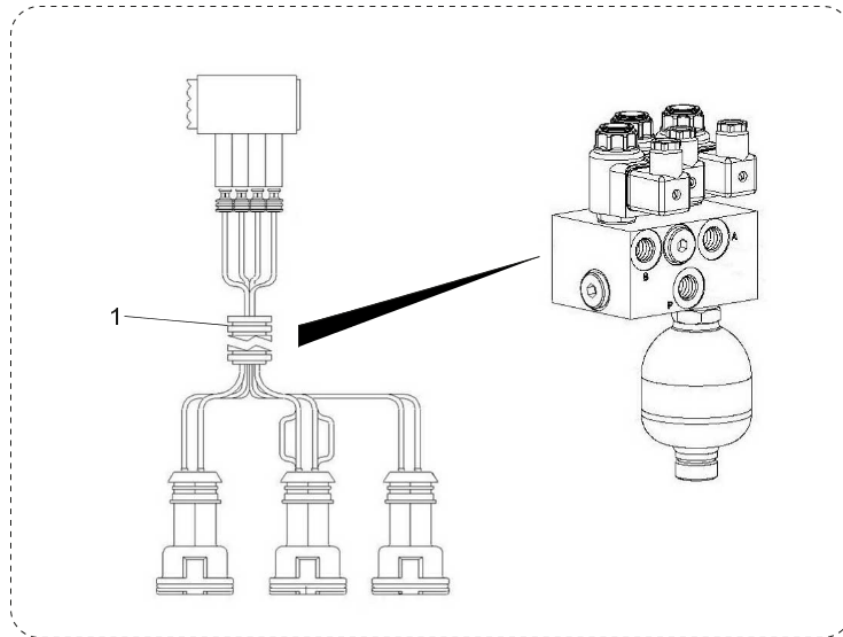
CLICK HERE TO **DOWNLOAD** THE COMPLETE MANUAL

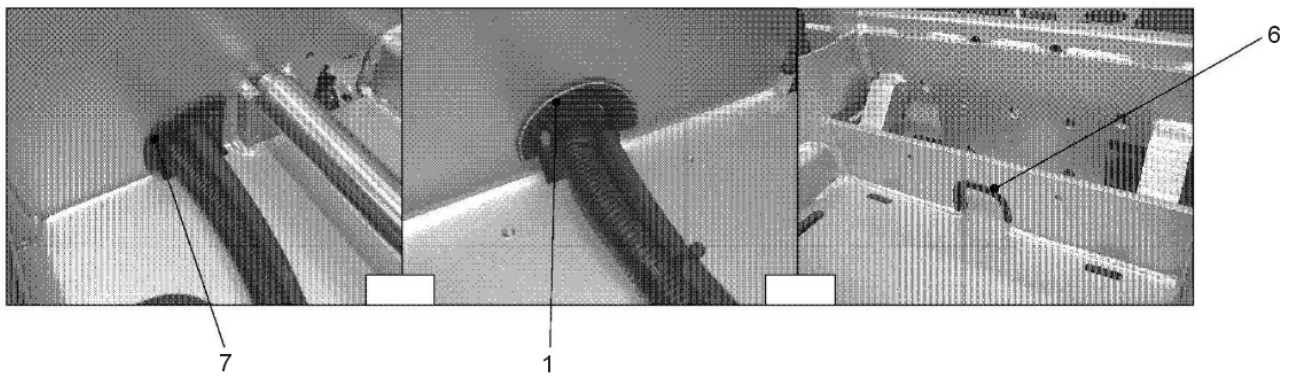
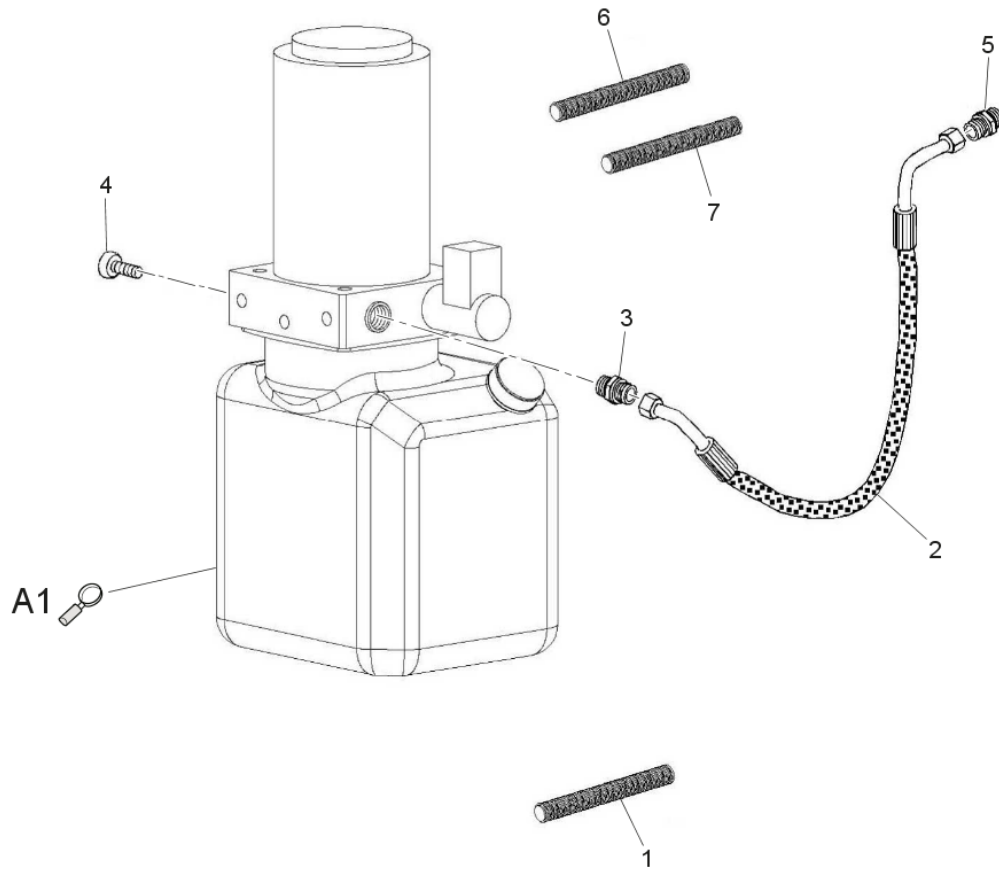
- Thank you very much for reading the preview of the manual.
- You can download the complete manual from: www.heydownloads.com by clicking the link below

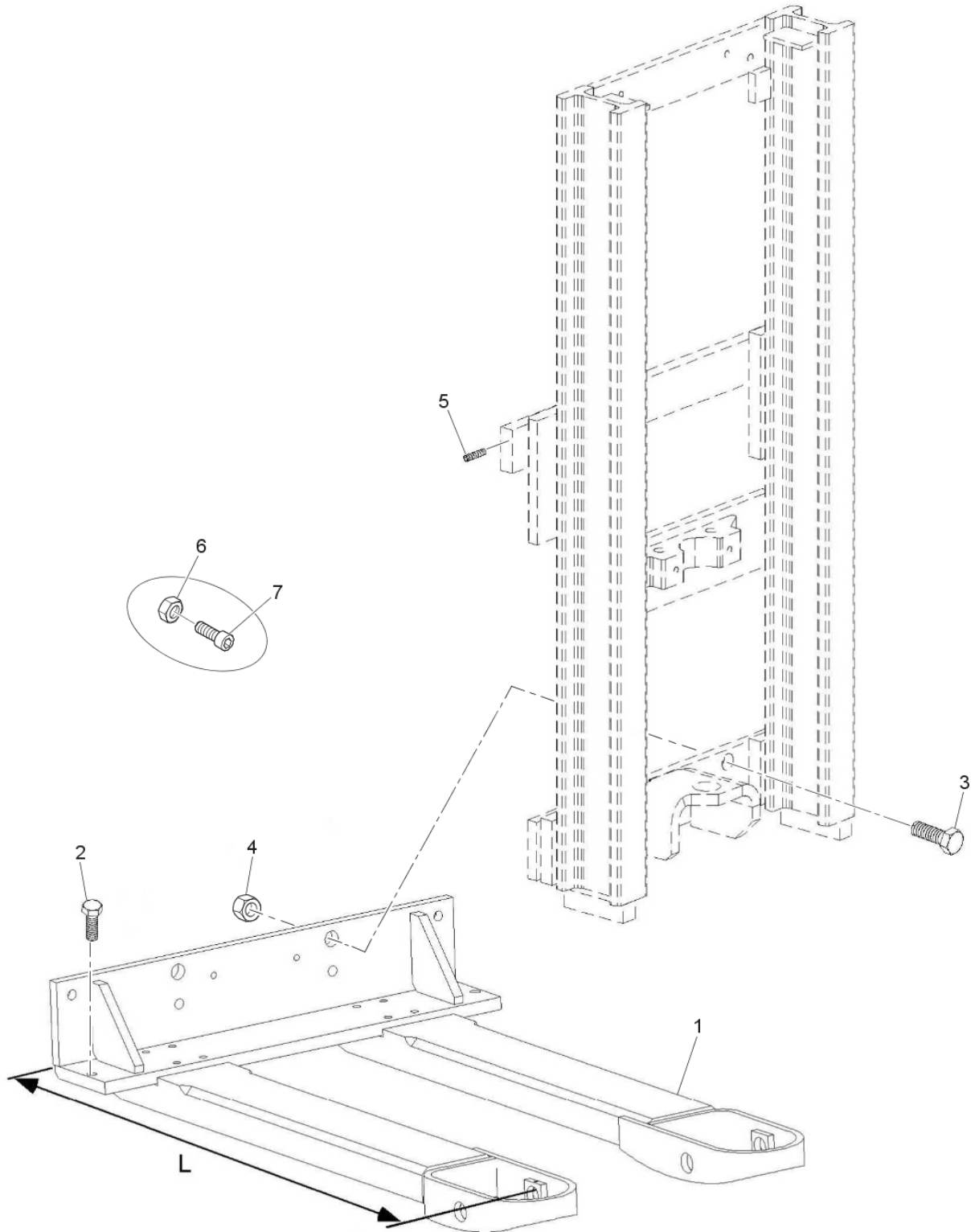


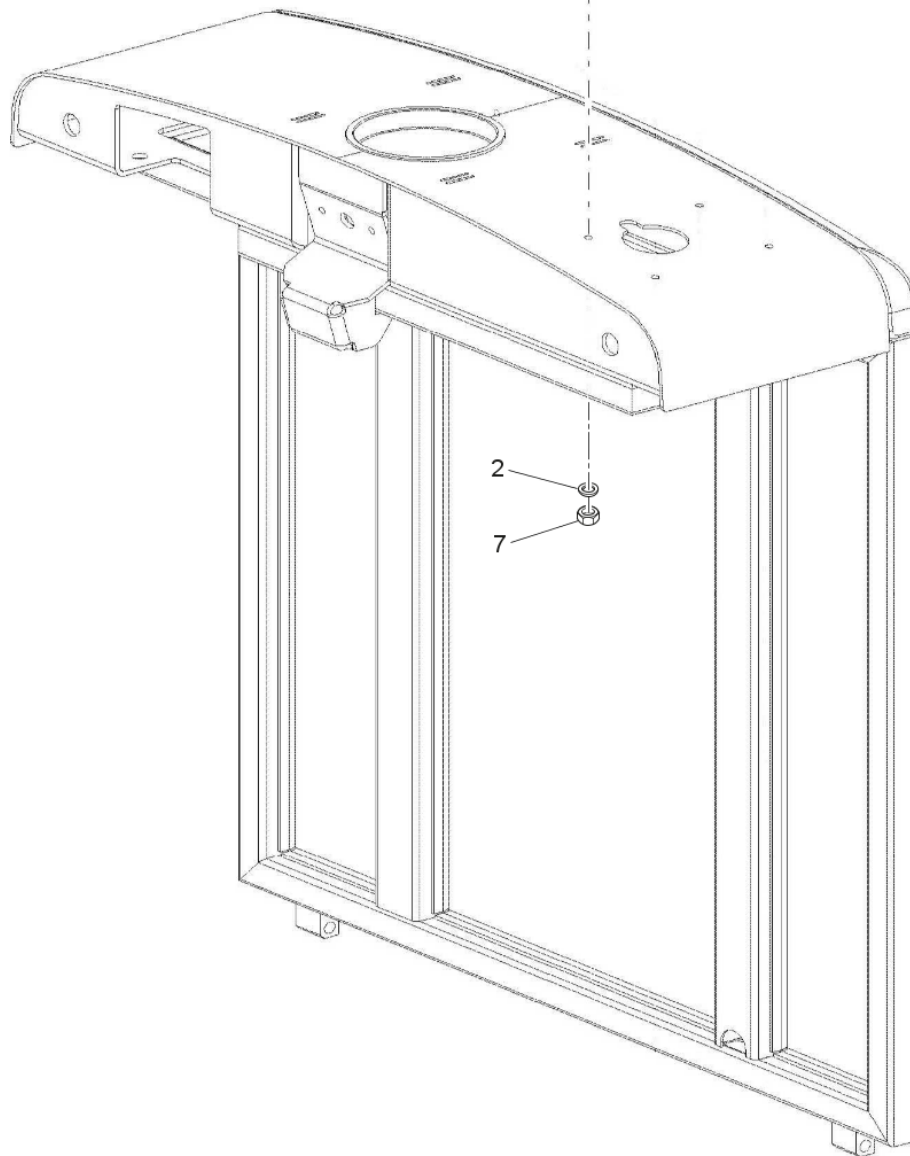
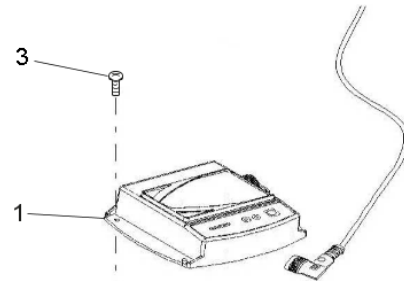
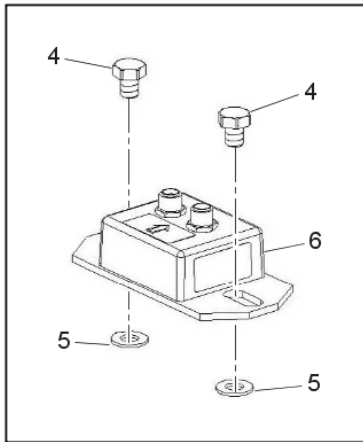
- Please note: If there is no response to CLICKING the link, please download this PDF first and then click on it.

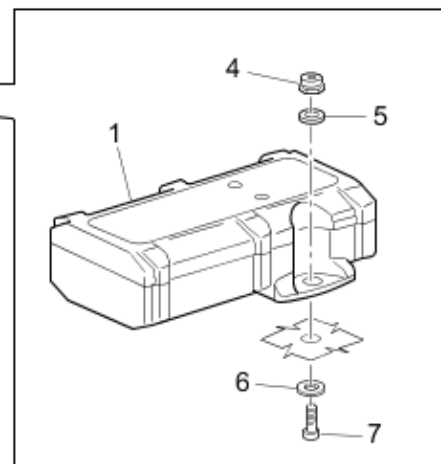
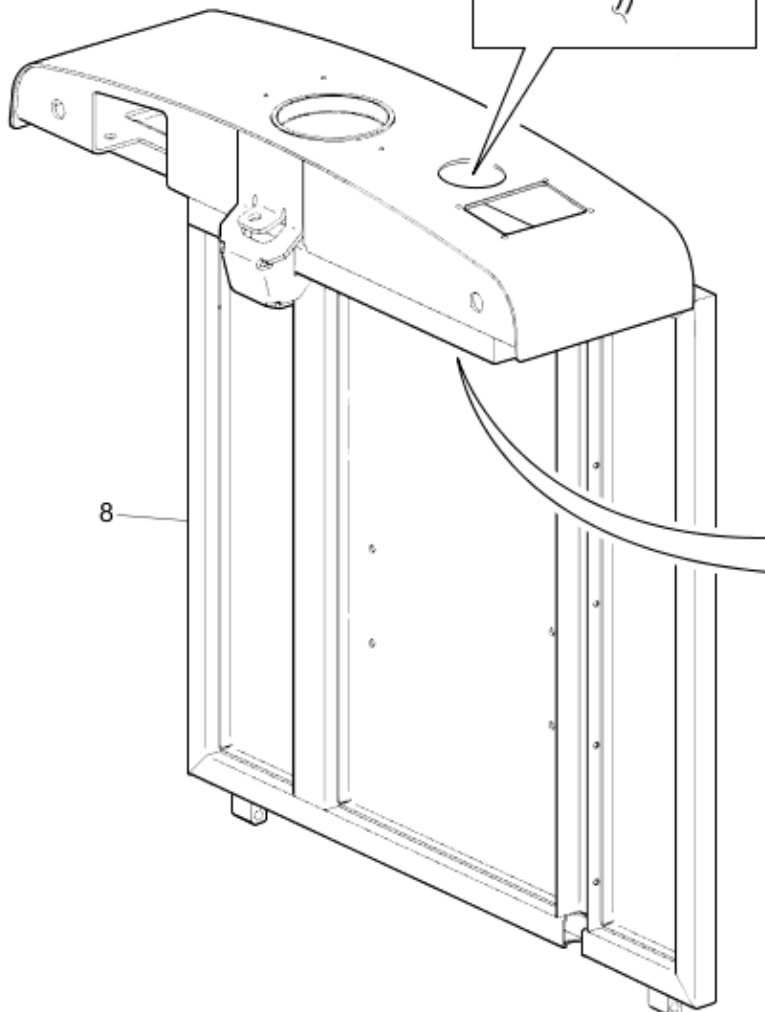
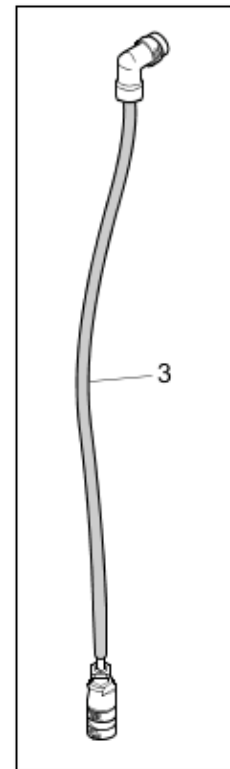
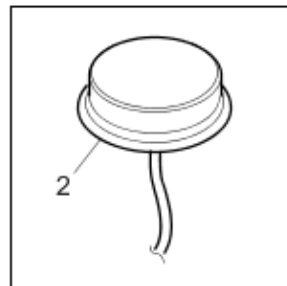
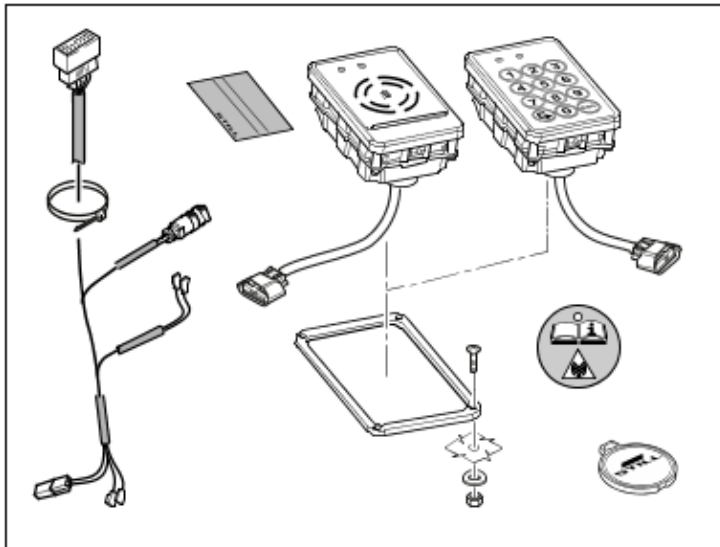
CLICK HERE TO **DOWNLOAD** THE COMPLETE MANUAL

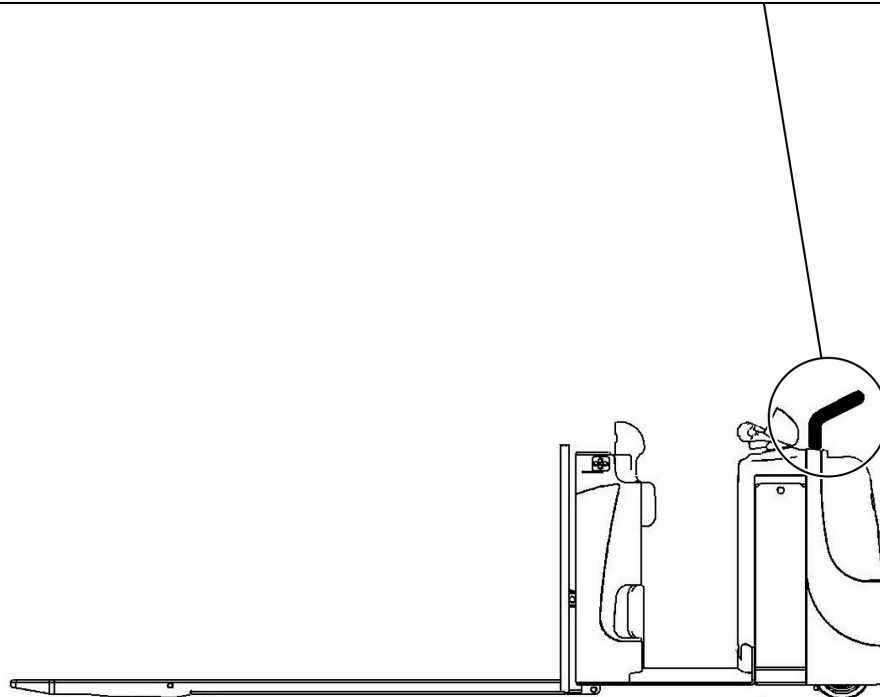
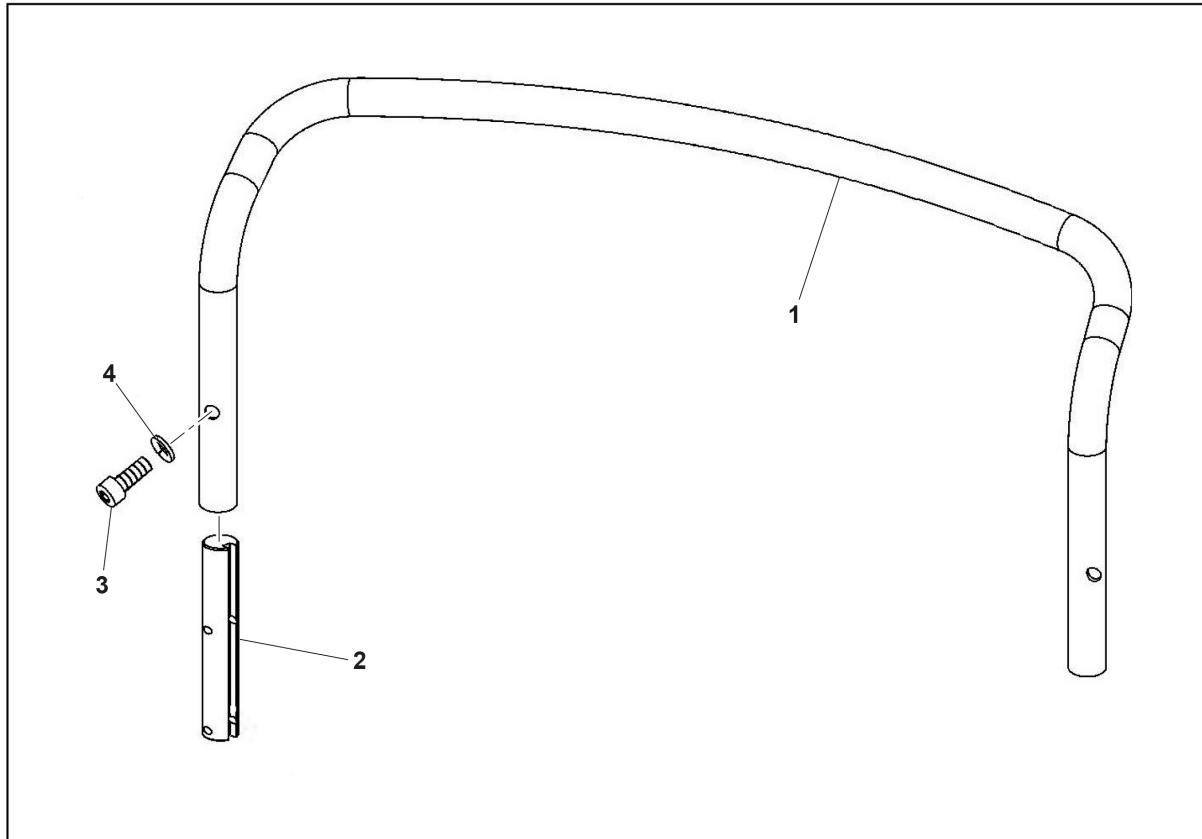


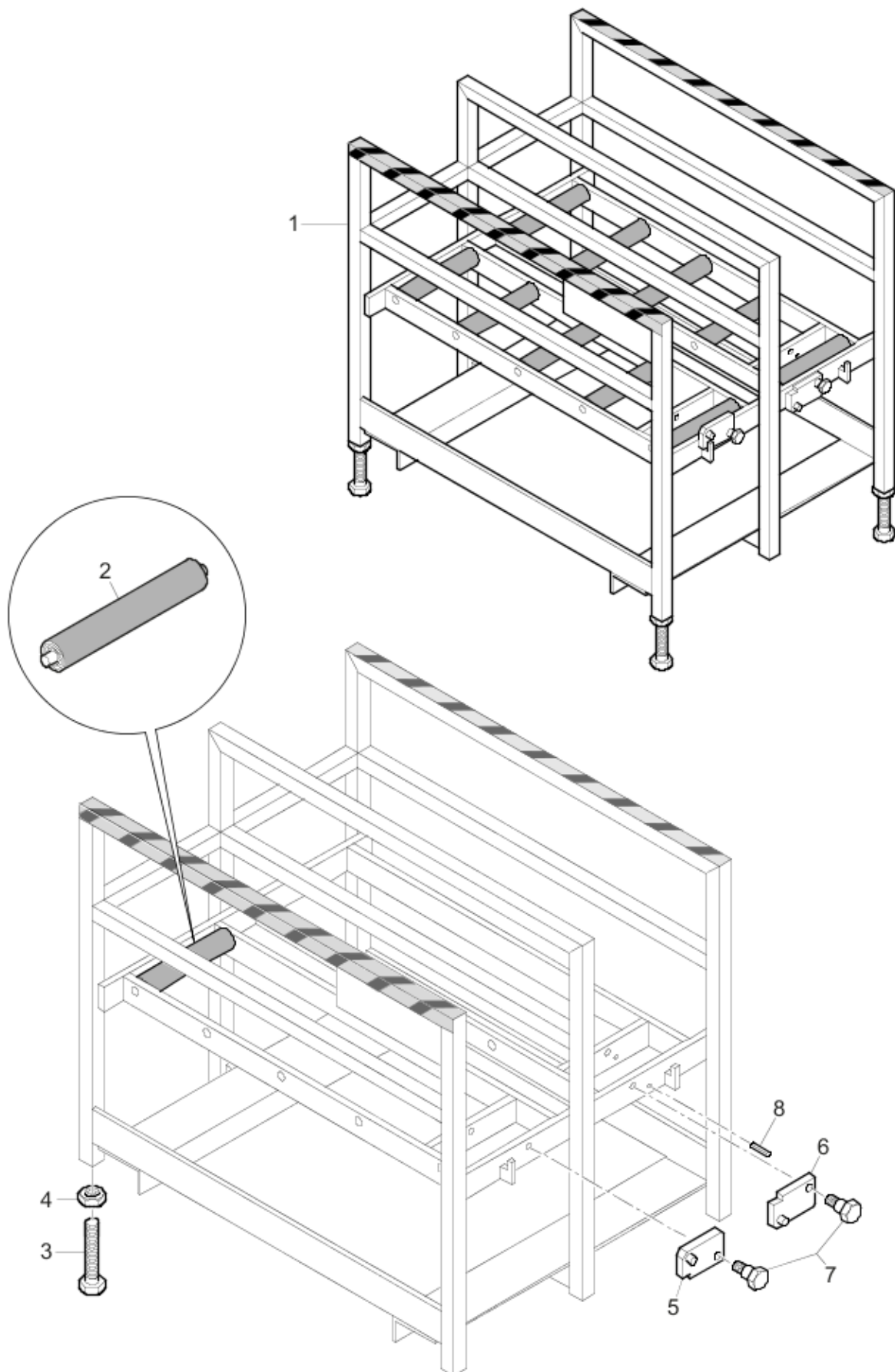


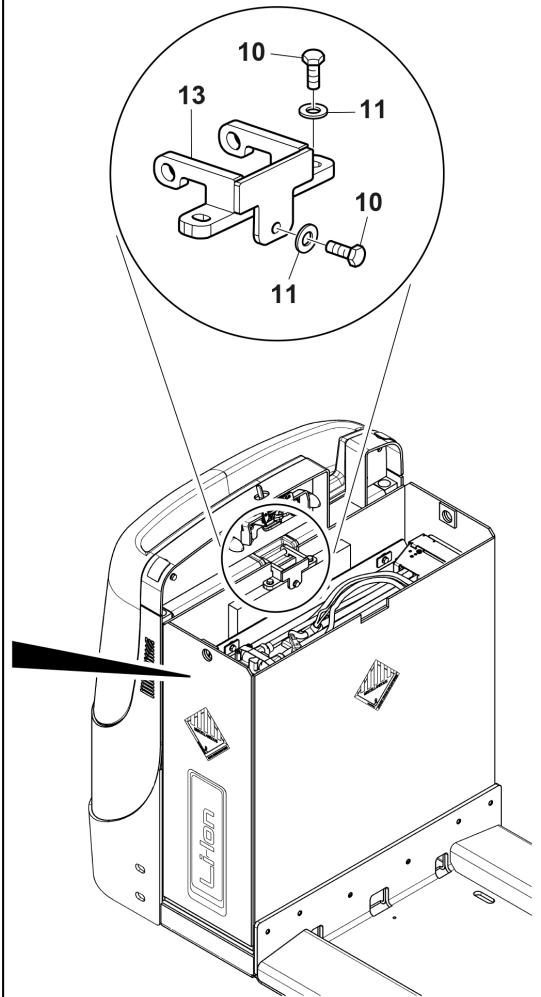
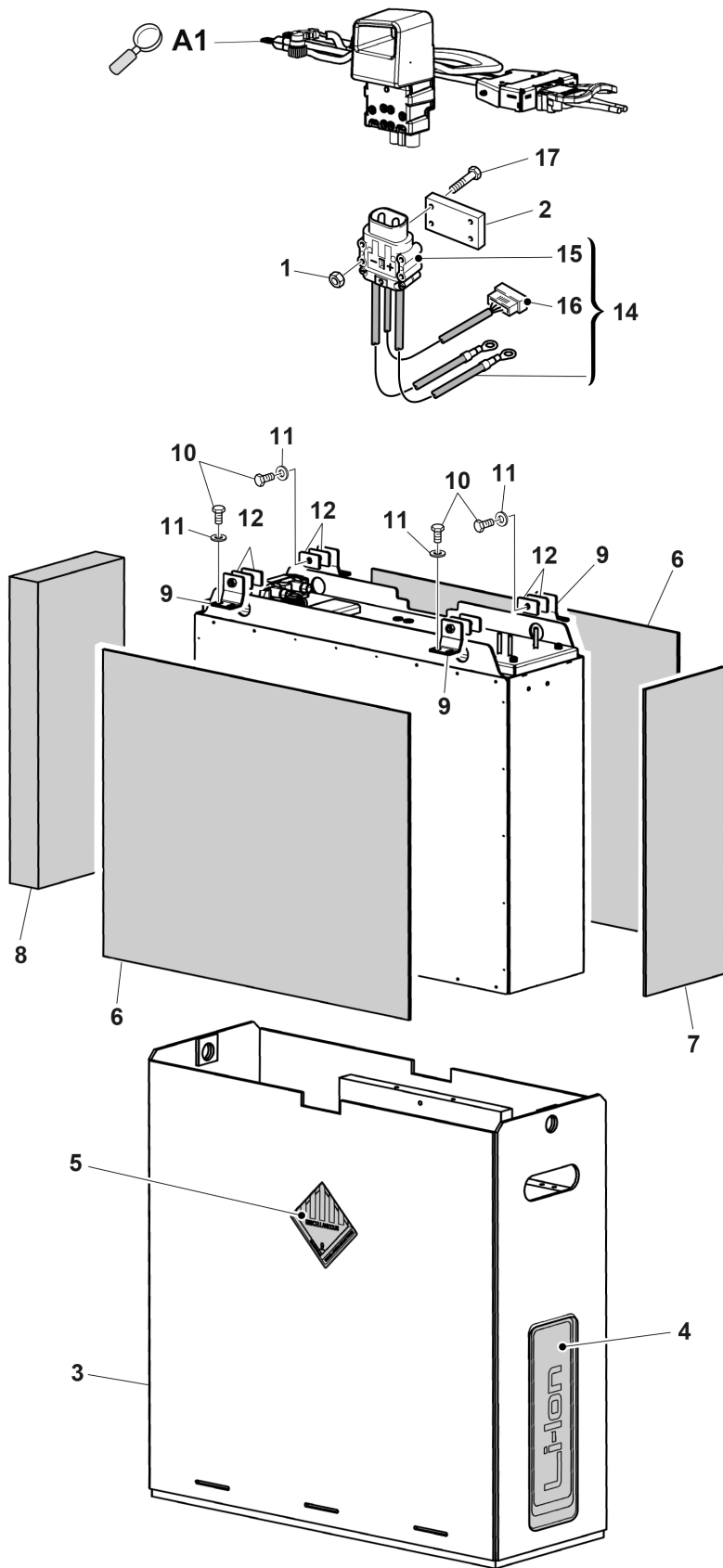












4412532	Page:	20
4412533	Page:	20
4412553	Page:	56, 168
4412561	Page:	20
4412595	Page:	20
4412596	Page:	20
4412602	Page:	20
4412603	Page:	20
4412604	Page:	20
4412605	Page:	20
4412606	Page:	20
4412609	Page:	20
4414983	Page:	32
4414984	Page:	32
4416571	Page:	114
4416583	Page:	114
4463509	Page:	116
4464391	Page:	116
4465186	Page:	116
4471525	Page:	36
4471552	Page:	44
4472271	Page:	194, 196
4474255	Page:	184
4475326	Page:	54,
4475786	Page:	40
4475788	Page:	36, 82
4475789	Page:	38, 48, 116
4475794	Page:	42, 58
4475799	Page:	116
4475852	Page:	132
4475977	Page:	16
4476336	Page:	36
4477373	Page:	30
4477931	Page:	66, 68, 70, 186
4478839	Page:	106
4479387	Page:	164, 166
4479412	Page:	162, 164, 166
4479414	Page:	160
4479415	Page:	166
4479416	Page:	160
4479417	Page:	166
4479828	Page:	54, 56, 106, 176, 178, 184
4479865	Page:	108
4479904	Page:	54, 56, 66, 68, 70, 116, 186
4479954	Page:	108, 170

CLICK HERE TO **DOWNLOAD** THE COMPLETE MANUAL

- Thank you very much for reading the preview of the manual.
- You can download the complete manual from: www.heydownloads.com by clicking the link below



- Please note: If there is no response to CLICKING the link, please download this PDF first and then click on it.

CLICK HERE TO **DOWNLOAD** THE COMPLETE MANUAL