

New Holland

TS90 TS100 TS110 TS115

- 01) -ENGINE**
- 02) -ENGINE EQUIPMENT**
- 03) -TRANSMISSION**
- 04) - FRONT AXLE & STEERING**
- 05) -REAR AXLE**
- 06) -ELECTRICAL SYSTEMS**
- 07) -HYDRAULIC SYSTEM**
- 08) -SHEET METAL**
- 09) -IMPLEMENT LIFT**
- 10) -OPERATOR'S PLATFORM/CAB**
- 11) -WHEELS/TRACKS**
- 13) -DECALS**

CLICK HERE TO **DOWNLOAD** THE COMPLETE MANUAL

- Thank you very much for reading the preview of the manual.
- You can download the complete manual from: www.heydownloads.com by clicking the link below



- Please note: If there is no response to CLICKING the link, please download this PDF first and then click on it.

CLICK HERE TO **DOWNLOAD** THE COMPLETE MANUAL

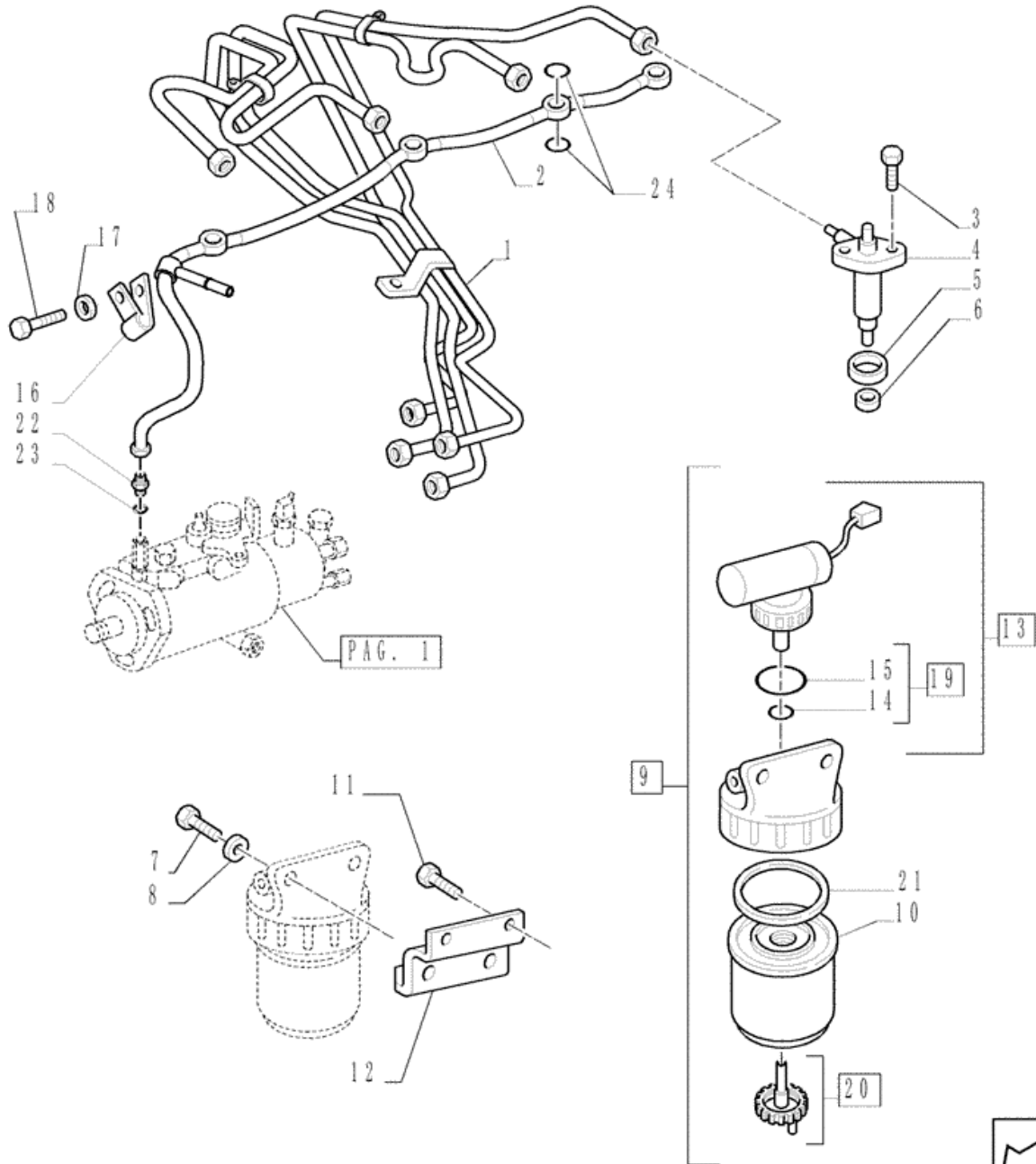
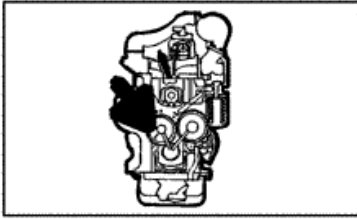
Diag #	Part #	Name	Description	Qty
3	84215901R	REMAN-SHORT ENGINE	Remanufactured TS90	1
3	84215901C	CORE-SHORT ENGINE	Return Number TS90	1
3	87801254	SHORT ENGINE	Emissionised, TS90	1
3	87801254C	CORE-SHORT ENGINE	Return Number, Emissionised, TS90	1
3	84215901R	REMAN-SHORT ENGINE	Reman for New PN 87801254	1
3	84215901C	CORE-SHORT ENGINE	Return Number	1
3	87840504	SHORT ENGINE	TS90	1
4	81878059	ENGINE TOP GASKETS KIT	Upper Engine	1
5	81878060	ENGINE GASKET KIT	Lower Engine	1

(TS100) - EMISSIONISED TRACTOR (11/97-7/03) > (0.06.0[01]) - CYLINDER HEAD

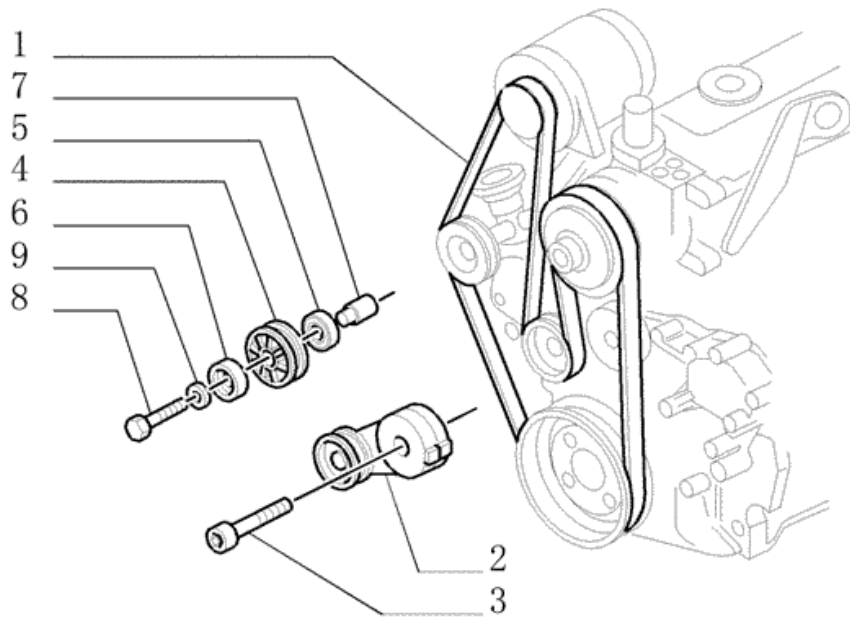
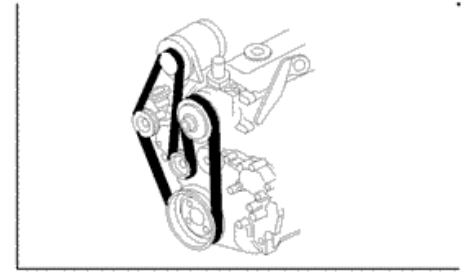
Diag #	Part #	Name	Description	Qty
1	87802939	CYLINDER HEAD	TS80, TS90, TS90E	1
1	87802939R	REMAN-CYLINDER HEAD	Cylinder Head	1
1	87802939C	CORE-CYLINDER HEAD	Return Number	1
1	87802940	CYLINDER HEAD	TS100, TS110	1
1	87802940R	REMAN-CYLINDER HEAD	Remanufactured CYLINDER HEAD	1
1	87802940C	CORE-CYLINDER HEAD	Return number	1
2	87802206	BOLT,Cyl Hd, 9/16" - 12 x 130mm	BOLT,Cyl Hd, 9/16" - 12 x 130mm	13
3	83957021	PLUG	1.13"	7
4	83957022	PLUG	1.18"	1
4	83957025	PLUG	1.75"	1
4	83957026	PLUG	1.81"	1
5	87803449	VALVE SEAT	Intake, Standard	4
5	81876763	INSERT	Intake, .010"	1
5	81876768	INSERT	Intake, .020"	1
6	81865194	INSERT	Exhaust, Standard	4
6	81865195	INSERT	Exhaust, .010"	1
6	81865196	INSERT	Exhaust, .020"	1
7	87800517	CYLINDER HEAD GASKET	CYLINDER HEAD GASKET	1

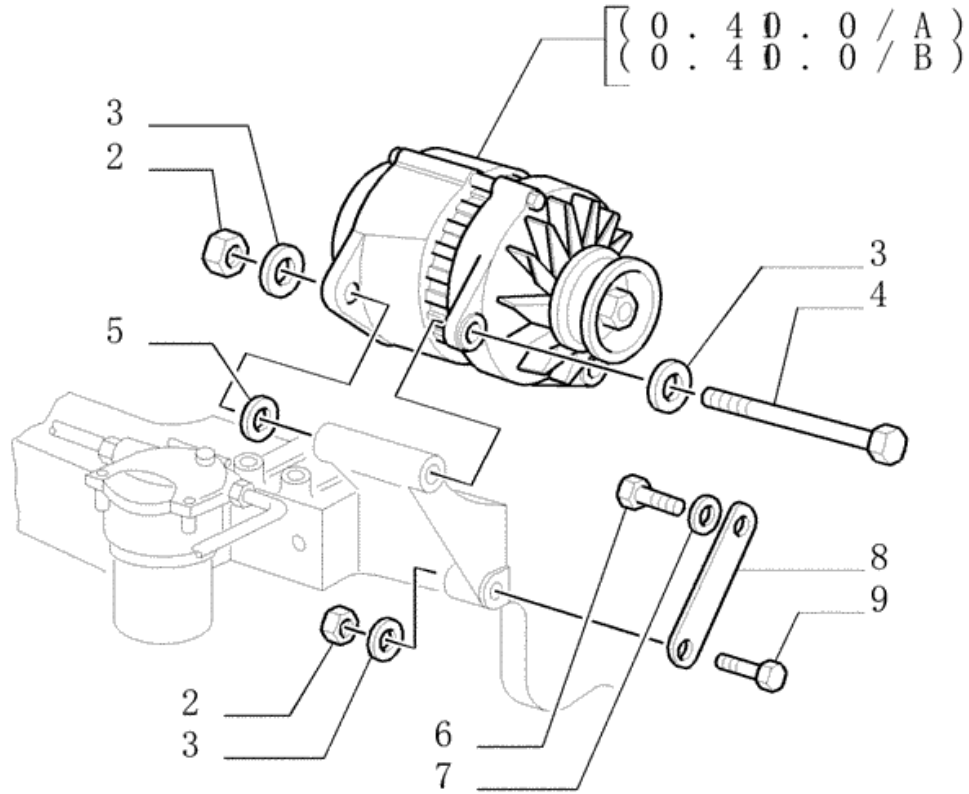
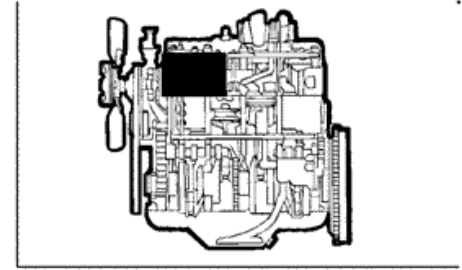
(TS100) - EMISSIONISED TRACTOR (11/97-7/03) > (0.08.2[01]) - PISTON

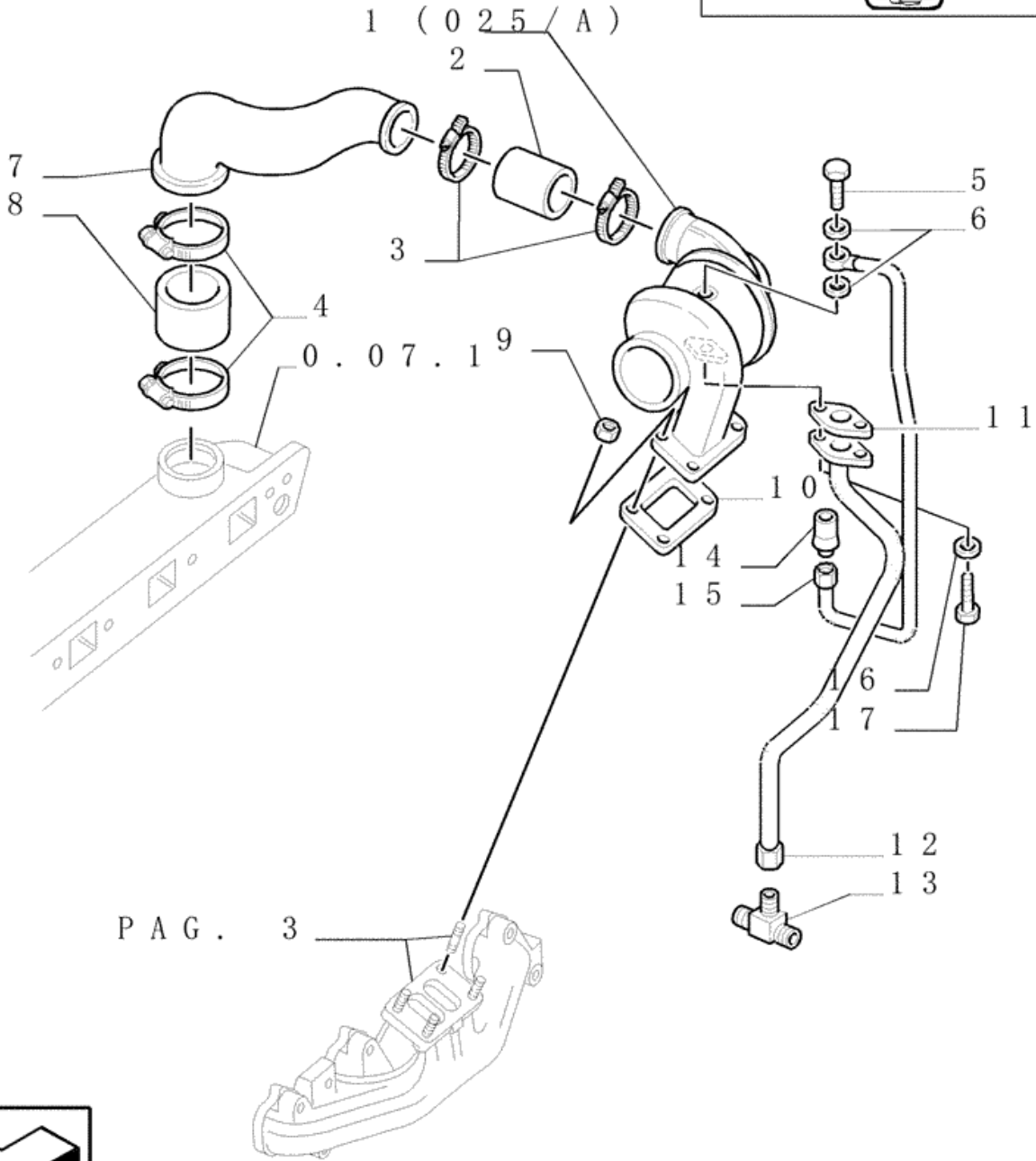
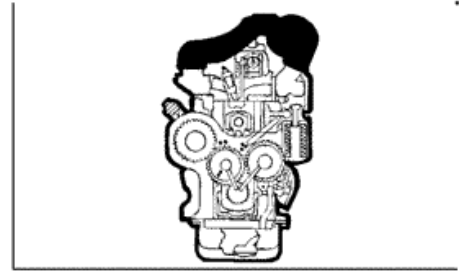
Diag #	Part #	Name	Description	Qty
1	87802364	PISTON & RINGS KIT	TS100, TS110	4
1	87801053	PISTON ASSY +0.4	.020" (.508 mm) O/S	1
		NA Only	NA Only	1
1	87801055	PISTON ASSY +0.8	.040" (1.016 mm) O/S	1
		NA Only	NA Only	1
1	87802372	PISTON & RINGS KIT	Non Emissionised, TS80, TS90	4
1	87801266	PISTON & RINGS KIT	TS90E	4
2	271429	SNAP RING,1.625", Int, #162	TS100, TS110	4
2	167111	SNAP RING,1.50", Int, #150	TS80, TS90, TS90E	8
3	87801744	PISTON PIN	TS80, TS90, TS90E	4
3	87801741	PISTON PIN	TS100, TS110	4
4	87802358	PISTON RINGS KIT	Standard, TS100, TS110	4
4	87802359	PISTON RINGS KIT	.020" (.508 mm) O/S	1
		NA Only	NA Only	1
4	87802360	PISTON RINGS KIT	.040" (1.02 mm) O/S	1
		NA Only	NA Only	1
4	87802355	PISTON RINGS KIT	Standard, TS80, TS90, TS90E	4



SEE EQUIP. 643







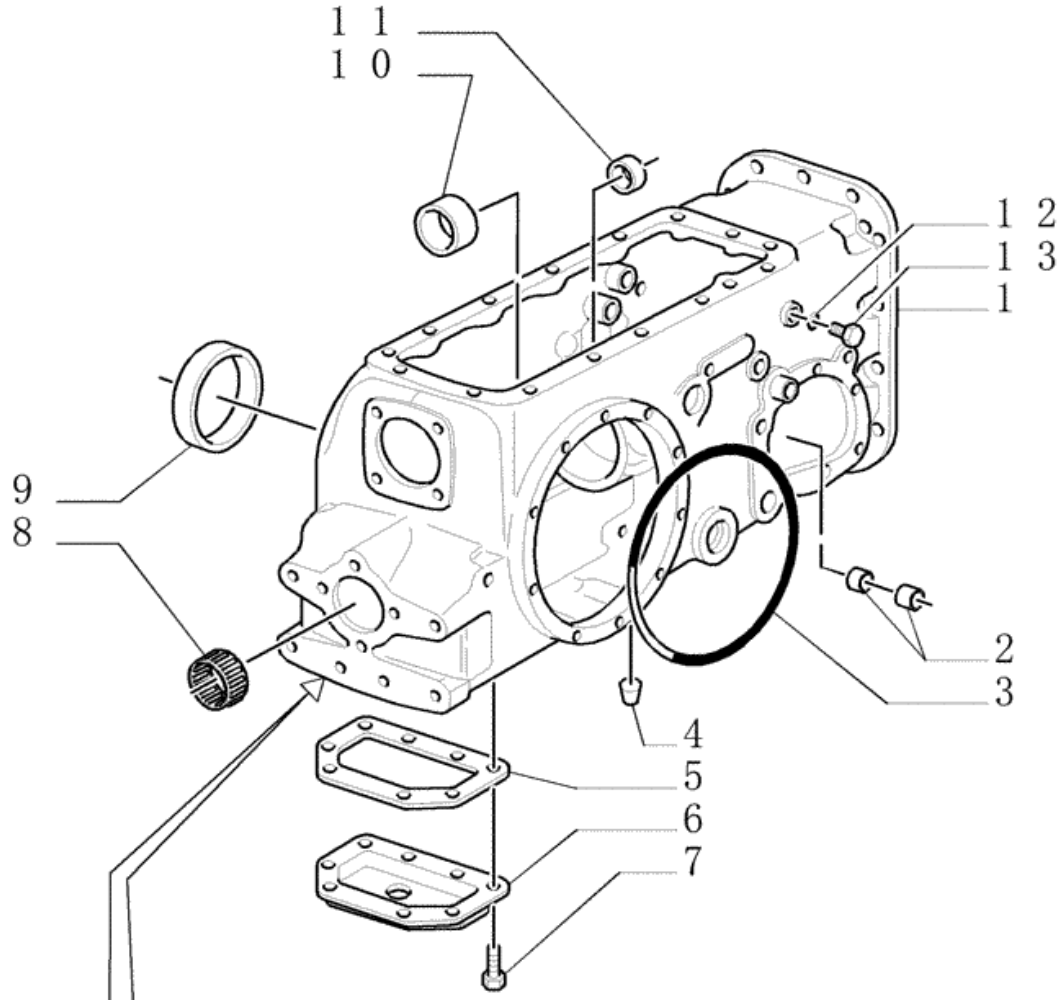
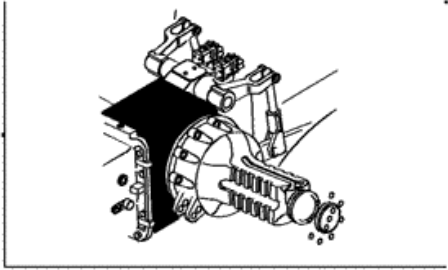
(TS100) - EMISSIONISED TRACTOR (11/97-7/03) > (1.14.7[02]) - FUEL TANK SUPPORT (W/CAB OR PLATFORM)

Diag #	Part #	Name	Description	Qty
1	82013070	SUPPORT	SUPPORT	1
2	387034S36	BOLT,Hex, 3/4" - 16, LH x 1.25", Gr 5	BOLT,Hex, 3/4" - 16, LH x 1.25", Gr 5	1
3	86512328	WASHER,19.46mm ID x 35.05mm OD x 3.43mm Thk	WASHER,19.46mm ID x 35.05mm OD x 3.43mm Thk	1
4	82026318	COTTER PIN	Spring Retainer, 1/8" x 2-5/16"	2
5	82011818	CLEVIS PIN,M19 x 107	CLEVIS PIN,M19 x 107	2
6	82011985	SECURING STRAP	800mm long	1
7	82013468	SUPPORT	SUPPORT	1
8	82012921	RUBBER PAD,65mm W x 490mm L	RUBBER PAD,65mm W x 490mm L	1
9	85700654	WASHER,10.5mm ID x 20mm OD x 2.5mm Thk	WASHER,10.5mm ID x 20mm OD x 2.5mm Thk	2
10	100016	NUT,M10 x 1.5, CI 8	NUT,M10 x 1.5, CI 8	4
11	82011437	SECURING STRAP	572mm long	1
12	82012920	RUBBER PAD,635mm L	RUBBER PAD,635mm L	1
13	82013466	SUPPORT	SUPPORT	1
14	82013475	RUBBER PAD	RUBBER PAD	1

(TS100) - EMISSIONISED TRACTOR (11/97-7/03) > (1.19.1[05]) - AIR CLEANER

Diag #	Part #	Name	Description	Qty
1	82012397	COVER	L/Cab	1
2	82012732	COLLAR	COLLAR	1
3	14368371	SPRING NUT	D=3.5	3
4	82012398	DEFLECTOR	DEFLECTOR	1
5	15902604	SELF-TAP SCREW,Cross Pan Hd, M3.5 x 9.50mm	SELF-TAP SCREW,Cross Pan Hd, M3.5 x 9.50mm	3
6	82012400	COVER	W/Cab	1

W/ 8x2 AND 16X4 TRANS. / STRADDLE EQUIP.

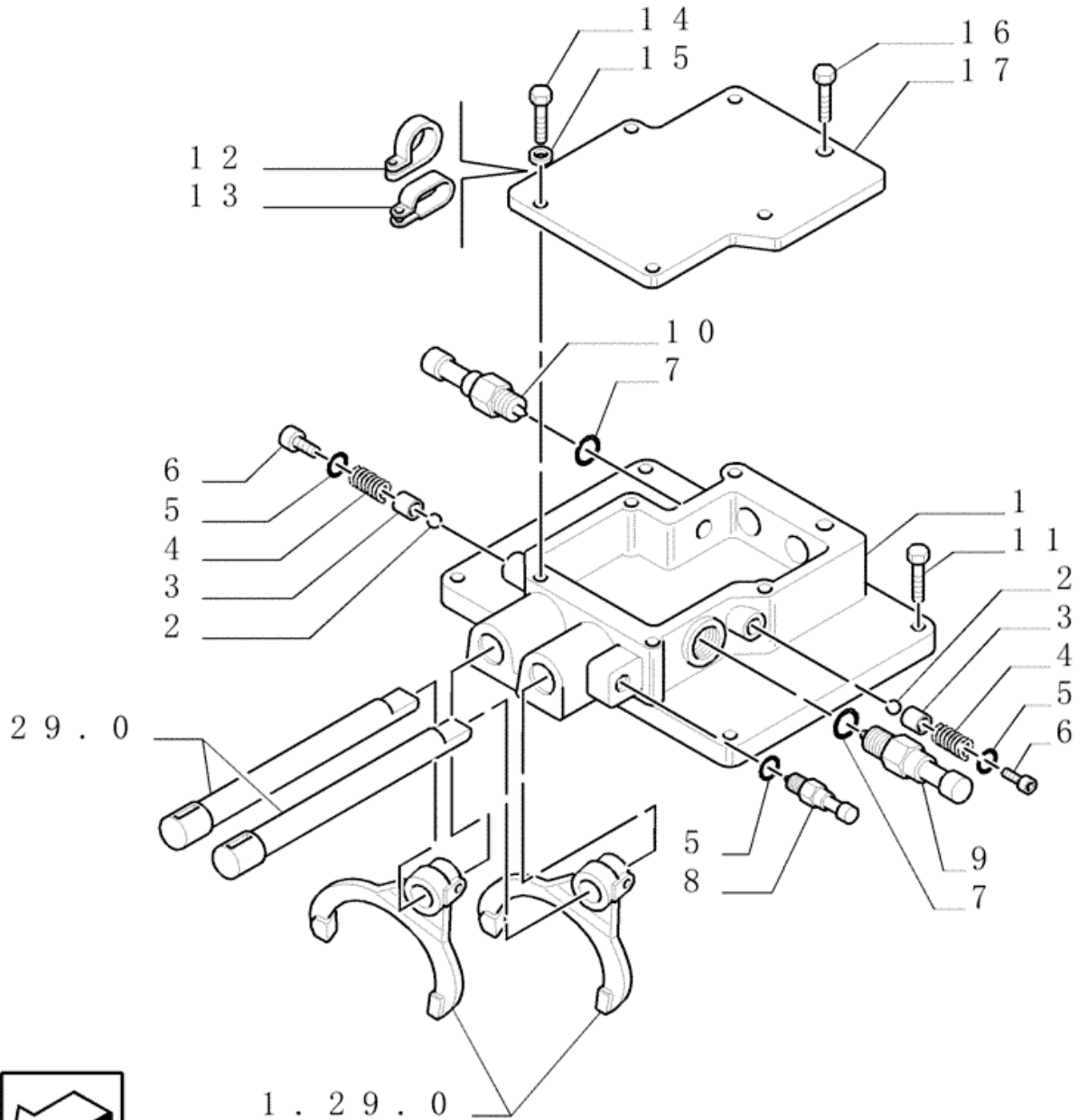
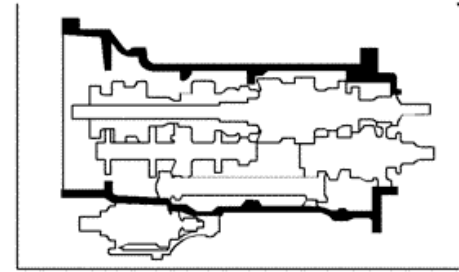


SEE EQUIP. 805 , 805 / 1 , 808



W / 16 x 16 TRANS .

SEE EQUIP. 1.21.0 / A



(TS100) - EMISSIONISED TRACTOR (11/97-7/03) > (1.25.3) - CLUTCH, PTO

Diag #	Part #	Name	Description	Qty
1	82008857	DAMPER	DAMPER	1
1	82008857R	REMAN-CLUTCH PLATE	TS90, TS100, TS110, All (11/97-7/03), TS115 (7/01-7/03), All EMISSIONISED TRACTOR, TS115 NON-EMISSIONISED TRACTOR (12/98-), All CLUTCH, PTO	1
1	82008857C	CORE-CLUTCH PLATE	Return Number	1
2	88434	BOLT,Hex, 3/8" - 16 x 3/4", Gr 5	BOLT,Hex, 3/8" - 16 x 3/4", Gr 5	6
3	80680	LOCK WASHER,9.68mm ID x 17.48mm OD x 2.39mm Thk	LOCK WASHER,9.68mm ID x 17.48mm OD x 2.39mm Thk	6
4	83909956	BOLT,Hex, 9/16" - 18 x 1 5/8", Gr 8	Cap, HH, G8, Self-Locking, 9/16"-18 x 1-5/8"	6

(TS100) - EMISSIONISED TRACTOR (11/97-7/03) > (1.28.1/ 1[06]) - TRANSMISSION 12X12

Diag #	Part #	Name	Description	Qty
1	81869804	SEAL,70 Duro, M68.5 ID x 2.69 Thk	SEAL,70 Duro, M68.5 ID x 2.69 Thk	1
2	81869803	SEAL,70 Duro, M42.9 ID x 2.69 Thk	SEAL,70 Duro, M42.9 ID x 2.69 Thk	1
3	82852799	COUPLING	COUPLING	1
4	E7DP7G297AA	SUPPORT	SUPPORT	1
5	81864292	SPACER	SPACER	1
6	114085	BALL BEARING,39.9999 mm ID x 79.9998 mm OD x 18.001 mm	BALL BEARING,39.9999 mm ID x 79.9998 mm OD x 18.001 mm	1
7	F0NN7D120AB	COVER	COVER	1
8	9840056	O-RING,4.734" ID x 5.012" OD x 0.139"	O-RING,4.734" ID x 5.012" OD x 0.139"	1
9	370014	SNAP RING,M130, Internal	SNAP RING,M130, Internal	1
10	F0NN7Z428AA	SEAL	SEAL	1
11	F0NN7B031AA	SEAL	SEAL	1
12	N661231S36	SNAP RING,M40, Ext	SNAP RING,M40, Ext	1

(TS100) - EMISSIONISED TRACTOR (11/97-7/03) > (1.28.1/ 2[06]) - TRANSMISSION 16X16

Diag #	Part #	Name	Description	Qty
1	F0NN7R037AC	HOUSING	HOUSING	1
2	F0NN7N947BA	SEAL	SEAL	1
3	F0NN7C248AB	RING	RING	1
4	F1NN7R014BA	PISTON	PISTON	1
5	E7DP7G297AA	SUPPORT	SUPPORT	1
6	N803175S36	SNAP RING	Retainer	1
7	82007506	WASHER,80.65mm ID x 96mm OD x 4.65mm Thk	WASHER,80.65mm ID x 96mm OD x 4.65mm Thk	1
8	81871395	GEAR,26T Internal / 63T External	GEAR,26T Internal / 63T External	1
9	E6SP7E314AA	PLATE	PLATE	4
10	81866377	PLATE	PLATE	4
11	F0NN7R158AA	PLATE	PLATE	1
12	F0NN7N523BA	SNAP RING	SNAP RING	1
13	F0NN7701BA	BEARING ASSY	BEARING ASSY	2
14	F0NN7146BC	GEAR	Output, Dual Power, L/Creeper	1
15	82012540	THRUST WASHER	THRUST WASHER	1
16	F0NN7K272AA	SLEEVE	SLEEVE	1
17	F0NN7N430BA	ROLLER BEARING	ROLLER BEARING	3

(TS100) - EMISSIONISED TRACTOR (11/97-7/03) > (1.28.1/ 2[14]) - TRANSMISSION 16X16

Diag #	Part #	Name	Description	Qty
1	F0NN7240CA	GUIDE	Hi-Lo	1
2	210005	BALL	10MM Diameter	1
3	F0NN7233BA	PLUG	PLUG	1
4	83407013	SPRING	SPRING	1
5	F0NN7R486AB	SHAFT	SHAFT	1
6	F0NN7C348AA	PIN	PIN	1
7	81864307	SCREW,Hex, M10 x 1.25 x 29.05mm	SCREW,Hex, M10 x 1.25 x 29.05mm	1
8	N800283S36	NUT	M10 x 1-1/4"	1
9	82012191	SHIFTER FORK	Hi-Lo	1

(TS100) - EMISSIONISED TRACTOR (11/97-7/03) > (1.28.1[04]) - TRANSMISSION 8X2

Diag #	Part #	Name	Description	Qty
1	C5NNN755A	BEARING ASSY,29.9999 mm ID x 71.9988 mm OD x 18.999 mm	BEARING ASSY,29.9999 mm ID x 71.9988 mm OD x 18.999 mm	1
2	86503781	SNAP RING,#156, Ext	SNAP RING,#156, Ext	1
3	C5NN7N034B	WASHER	.110" Thick	1
4	E6NN7N315BA	GEAR	3rd Speed	1
5	E6NN7N072AA	SPLINED COUPLING	SPLINED COUPLING	1
6	E6NN7N100BA	GEAR	1st Speed	1
7	81804625	THRUST WASHER,45.77mm ID x 63.5mm OD x 1.4mm Thk	WASHER,THRUST	2
8	E6NN7N012BA	GEAR	Reverse, Main Shaft	1
9	E6NN7N072BA	COUPLING	COUPLING	1
10	E6NN7N101BA	GEAR	2nd Speed	1
11	C7NN7N431B	BEARING ASSY,53.988 mm ID x 98.45 mm OD x 21.204 mm	BEARING ASSY,53.988 mm ID x 98.45 mm OD x 21.204 mm	1
12	E6NN7111AA	COUNTERSHAFT	COUNTERSHAFT	1
13	D0NN7N048A	BEARING CUP,19.063 mm ID x 54 mm OD x 22.43 mm	BEARING CUP,19.063 mm ID x 54 mm OD x 22.43 mm	1
14	D0NN7N047A	BEARING ASSY,19.063 mm ID x 54 mm OD x 22.43 mm	BEARING ASSY,19.063 mm ID x 54 mm OD x 22.43 mm	1

(TS100) - EMISSIONISED TRACTOR (11/97-7/03) > (1.29.0[07]) - TRANSMISSION, INTERNAL SHIFTING CONTROLS

Diag #	Part #	Name	Description	Qty
1	82007505	SPINDLE	, Serial Range: -139306	1
1	82015190	GUIDE	, Start Serial: 139307	1
2	F2NN7240BA	GUIDE	GUIDE	1
3	376041S	PLUG	PLUG	2
4	82007504	SHIFTER FORK	145.74 - 145.10	1
5	F2NN7231BA	SHIFT, FORK	122.3 - 121.7	1
6	82895780	SET SCREW,less Hex Socket, M10 x 20mm	Set, M10 x 20	4
7	82895198	NUT,Jam, Hex, M10, 5mm High, CL 04	Jam, M10	4
8	82015193	PIN	, Start Serial: 139307	1
9	5175009	SEALING RING	SEALRING, Start Serial: 139307	1
10	80511029	O-RING	.921" ID x .139" Thk, Start Serial: 139307	2

(TS100) - EMISSIONISED TRACTOR (11/97-7/03) > (1.32.6/ 1[01]) - REAR AXLE DIFFERENTIAL LOCK (W/CAB OR PLATFORM)

Diag #	Part #	Name	Description	Qty
1	82010832	ACTUATOR	ACTUATOR	1
2	9627866	BOLT,Hex, 7/16" - 14 x 3 1/2", Gr 5	BOLT,Hex, 7/16" - 14 x 3 1/2", Gr 5	1
3	9992298	O-RING,0.489" ID x 0.629" OD x 0.07" Thk	O-RING,0.489" ID x 0.629" OD x 0.07" Thk	2
4	81863437	HYD CONNECTOR,M18 x 13/16"-16 ORS	HYD CONNECTOR,M18 x 13/16"-16 ORS	2
5	82014511	TUBE	4WD	1
6	F0NN4N250AA	TUBE,10 mm OD x 185 mm L	Outlet	1
7	9617873	O-RING,0.468" ID x 0.078" Thk	O-RING,0.468" ID x 0.078" Thk	1
8	E9NNK917CA	90 ELBOW,13/16"-16 ORFS x 9/16"-18, ORB	90 ELBOW,13/16"-16 ORFS x 9/16"-18, ORB	1
9	F0NN4N251AA	TUBE,6 mm OD x 54.1 mm L	W/CCLS Pump, W/16 x 16 Transmission	1
9	82008010	TUBE	W/Tandem Pump, W/12 x 12 Transmission	1
10	9825770	O-RING,7.93mm ID x 11.11mm OD x 1.58mm Thk	O-RING,7.93mm ID x 11.11mm OD x 1.58mm Thk	2
11	81863438	HYD CONNECTOR,M10 x 9/16"-18 ORS	HYD CONNECTOR,M10 x 9/16"-18 ORS	2
12	83999982	PLUG	Hydraulic Oil, 2WD	1

(TS100) - EMISSIONISED TRACTOR (11/97-7/03) > (1.32.8/ 1[02]) - MOUNTING PARTS, CCLS PUMP

Diag #	Part #	Name	Description	Qty
1	81869132	HYDRAULIC OIL FILTER	Power Steering, CCLS Pump, 98 x 208	1
2	9821387	HYDRAULIC OIL FILTER	Hydraulic, Charge Pump, CCLS Pump, 3.82" x 7.45"	1
2	9821387	HYDRAULIC OIL FILTER	Hydraulic, Charge Pump, CCLS Pump	1
		NA Only	NA Only	1
3	82005016	HYDRAULIC OIL FILTER	Hydraulic, Lift Intake, CCLS Pump, 3.82" x 7.45"	1
4	82851844	OIL SEAL	(Replaces F0NNC784AB)	1
5	F0NN3N613AA	HYD. TUBE,25.15 mm OD x 77 mm L	Power Steering	1
6	14458680	O-RING,1.487" ID x 0.103"	O-RING,1.487" ID x 0.103"	1
7	E0NNR953AA	WASHER	WASHER	1
8	N801756S36	RING,M35	RING,M35	1
9	82003338	TUBE,214, 113 mm Length	Inlet	1
10	83999982	PLUG	M18 x 22	1
11	E602189S72	SCREW,Hex, M8 x 30mm, CI 8.8, Full Thd	SCREW,Hex, M8 x 30mm, CI 8.8, Full Thd	3
12	F0NNU904CA	SEAL	SEAL	1
13	81864448	PLUG	Hydraulic Oil, M14 x 1.5	1
14	F0NN2N437AB	PLATE	PLATE	1
15	81862879	O-RING,7.60mm ID x 2.40mm	I.D. 7.6 x 2.4	1

(TS100) - EMISSIONISED TRACTOR (11/97-7/03) > (1.32.8/ 1A[08]) - COMPENSATING VALVE, CCLS PUMP

Diag #	Part #	Name	Description	Qty
1	81872759	VALVE SECTION	Compensator	1
2	81872765	NUT	NUT	2
3	F1NNK864AA	ADJUSTMENT SCREW,M22 x 1.5 x 32.70mm	ADJUSTMENT SCREW,M22 x 1.5 x 32.70mm	2
4	81867969	O-RING,13.6mm ID x 2.48mm Width	O-RING,13.6mm ID x 2.48mm Width	2
5	81867967	SPRING	Hydraulic Unload Valve, ID 10.01mm, OD 17.53mm	1
6	81867964	SPRING	Hydraulic Unload Valve, ID 10.03mm, OD 14.40mm	1
7	81867965	RETAINER	RETAINER	2
8	81867972	PLUG	M10, 1.00	2
9	F1NNK995AA	CAP	CAP	2

(TS100) - EMISSIONISED TRACTOR (11/97-7/03) > (111/ 1-426[08]) - 16X16 TRANSMISSION W/CREEPER

Diag #	Part #	Name	Description	Qty
1	F0NN7033AA	WASHER	WASHER	1
2	F0NN7Z441AA	ROLLER BEARING	ROLLER BEARING	1
3	F0NN7Z491AB	THRUST WASHER	Synchronizer, 75.95 mm x 58.4 mm x 1.1 mm	2
4	F2NN7124AA	SYNCHRONIZER	SYNCHRONIZER	1
5	F1NN7N462AA	GEAR	GEAR	1
6	F0NN7C239AA	ROLLER BEARING	ROLLER BEARING	2
7	F0NN7669AA	SNAP RING	SNAP RING	1
8	F0NN7R065BA	BEARING ASSY	BEARING ASSY	1

(TS100) - EMISSIONISED TRACTOR (11/97-7/03) > (111/ 1-426[16]) - 16X16 TRANSMISSION W/CREEPER

Diag #	Part #	Name	Description	Qty
1	F0NN7A436AA	BEARING ASSY	BEARING ASSY	1
2	F0NN7162AA	SNAP RING,M25, Ext	SNAP RING,M25, Ext	1
3	F0NN7D489AA	WASHER	WASHER	2
4	82895080	SNAP RING,M72, Int	SNAP RING,M72, Int	1
5	F0NN7025BA	ROLLER BEARING	Front	1
6	370018	SNAP RING,M72, Internal	SNAP RING,M72, Internal	1
7	F0NN7Z420DB	GEAR,26 Teeth	GEAR,26 Teeth	1
8	F0NN7025AA	BEARING ASSY	Rear	1

(TS100) - EMISSIONISED TRACTOR (11/97-7/03) > (111[04]) - 8X2 TRANSMISSION W/CREEPER

Diag #	Part #	Name	Description	Qty
1	C5NNN755A	BEARING ASSY,29.9999 mm ID x 71.9988 mm OD x 18.999 mm	BEARING ASSY,29.9999 mm ID x 71.9988 mm OD x 18.999 mm	1
2	86503781	SNAP RING,#156, Ext	SNAP RING,#156, Ext	1
3	C5NN7N034B	WASHER	.110" Thick	1
4	E6NN7N315BA	GEAR	3rd Speed	1
5	E6NN7N072AA	SPLINED COUPLING	SPLINED COUPLING	1
6	E6NN7N100BA	GEAR	1st Speed	1
7	81804625	THRUST WASHER,45.77mm ID x 63.5mm OD x 1.4mm Thk	WASHER,THRUST	2
8	E6NN7N012BA	GEAR	Reverse, Main Shaft	1
9	E6NN7N072BA	COUPLING	COUPLING	1
10	E6NN7N101BA	GEAR	2nd Speed	1
11	C7NN7N431B	BEARING ASSY,53.988 mm ID x 98.45 mm OD x 21.204 mm	BEARING ASSY,53.988 mm ID x 98.45 mm OD x 21.204 mm	1
12	E6NN7111AA	COUNTERSHAFT	Counter Shaft	1
13	D0NN7N048A	BEARING CUP,19.063 mm ID x 54 mm OD x 22.43 mm	BEARING CUP,19.063 mm ID x 54 mm OD x 22.43 mm	1
14	D0NN7N047A	BEARING ASSY,19.063 mm ID x 54 mm OD x 22.43 mm	BEARING ASSY,19.063 mm ID x 54 mm OD x 22.43 mm	1
15	306326S2	SLOTTED PIN,3/8" x 1 1/8", Slotted	SLOTTED PIN,3/8" x 1 1/8", Slotted	1

(TS100) - EMISSIONISED TRACTOR (11/97-7/03) > (112[04]) - 16X4 DUAL POWER TRANSMISSION W/CREEPER

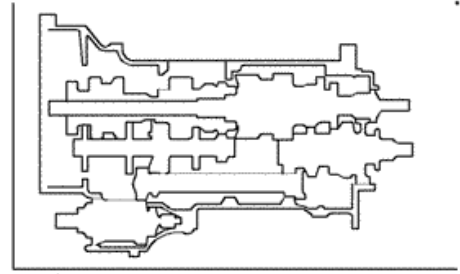
Diag #	Part #	Name	Description	Qty
1	C5NNN755A	BEARING ASSY,29.9999 mm ID x 71.9988 mm OD x 18.999 mm	BEARING ASSY,29.9999 mm ID x 71.9988 mm OD x 18.999 mm	1
2	86503781	SNAP RING,#156, Ext	SNAP RING,#156, Ext	1
3	C5NN7N034B	WASHER	WASHER	1
4	E6NN7N315BA	GEAR	3rd Speed	1
5	E6NN7N072AA	SPLINED COUPLING	SPLINED COUPLING	1
6	E6NN7N100BA	GEAR	1st Speed	1
7	81804625	THRUST WASHER,45.77mm ID x 63.5mm OD x 1.4mm Thk	WASHER,THRUST	2
8	E6NN7N012BA	GEAR	Reverse Main Shaft	1
9	E6NN7N072BA	COUPLING	COUPLING	1
10	E6NN7N101BA	GEAR	2nd Speed	1
11	C7NN7N431B	BEARING ASSY,53.988 mm ID x 98.45 mm OD x 21.204 mm	BEARING ASSY,53.988 mm ID x 98.45 mm OD x 21.204 mm	1
12	E6NN7111AA	COUNTERSHAFT	COUNTERSHAFT	1
13	D0NN7N048A	BEARING CUP,19.063 mm ID x 54 mm OD x 22.43 mm	BEARING CUP,19.063 mm ID x 54 mm OD x 22.43 mm	1
14	D0NN7N047A	BEARING ASSY,19.063 mm ID x 54 mm OD x 22.43 mm	BEARING ASSY,19.063 mm ID x 54 mm OD x 22.43 mm	1
15	306326S2	SLOTTED PIN,3/8" x 1 1/8", Slotted	SLOTTED PIN,3/8" x 1 1/8", Slotted	1

(TS100) - EMISSIONISED TRACTOR (11/97-7/03) > (112[12]) - 16X4 DUAL POWER TRANSMISSION W/CREEPER

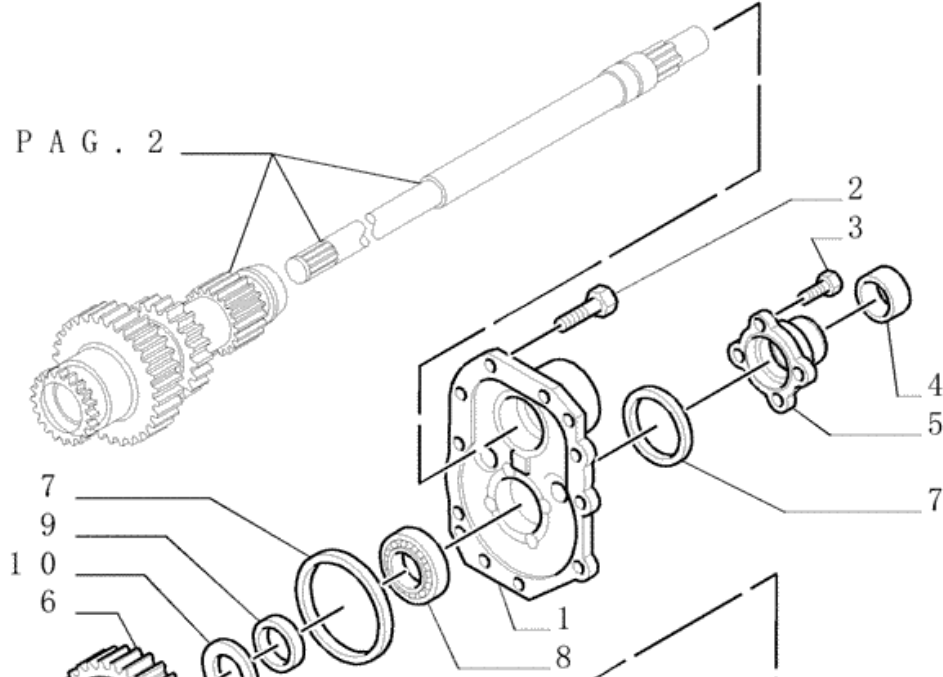
Diag #	Part #	Name	Description	Qty
1	81804953	SHIFT RAIL	SHIFT RAIL	1
2	87308	JAM NUT,Jam, 3/8"-24, G2	JAM NUT,Jam, 3/8"-24, G2	1
3	957E7245	SET SCREW,Hex, 3/8" - 24 x 1"	SET SCREW,Hex, 3/8" - 24 x 1"	1
4	81863007	RETAINER	RETAINER	1
5	C5NN11N003B	SPRING	SPRING	1
6	145222	BALL BEARING,3/8"	BALL BEARING,3/8"	1
7	C5NN11467R	PIN,4.72mm OD x 15.75mm L	PIN,4.72mm OD x 15.75mm L	1
8	82020684	SWITCH ASSY	Shift Rail Position, Red	1
9	E9NN7279AB	IDENTITY PLATE	IDENTITY PLATE	1
10	E9NN7279CA	DOOR	DOOR	1
11	E9NN7346AA	ARM	ARM	1
12	81805086	SET SCREW,Hex, 3/8" - 24 x 1-1/2"	SET SCREW,Hex, 3/8" - 24 x 1-1/2"	1
13	E8NN7231AA	SHIFTER FORK	SHIFTER FORK	1
14	14328501	PLUG,M16, Tapered	PLUG,M16, Tapered	3
15	82002242	ROD	2nd	1

(TS100) - EMISSIONISED TRACTOR (11/97-7/03) > (140[06]) - 16X4 DUAL POWER TRANSMISSION

Diag #	Part #	Name	Description	Qty
1	E9NN7N477AA	HOUSING	HOUSING	1
2	43044S36	LOCK BOLT,Hex, 7/16"-14 x 1 1/2", G8	LOCK BOLT,Hex, 7/16"-14 x 1 1/2", G8	5
3	E8NN7033AA	WASHER	WASHER	1
4	E9NN7Z028AA	HYDRAULIC VALVE	HYDRAULIC VALVE	1
5	87008S94	O-RING,.375" ID x .070" Thk	O-RING,.375" ID x .070" Thk	1
6	9823669	O-RING,13.46mm ID x 2.08mm Width	O-RING,13.46mm ID x 2.08mm Width	1
7	E0NN7R032AB	GASKET	GASKET	1
8	88044	BOLT,Hex, 3/8" - 16 x 1 1/2", Gr 5	BOLT,Hex, 3/8" - 16 x 1 1/2", Gr 5	3
9	129270	O-RING,0.414" ID x 0.072" Thk	O-RING,0.414" ID x 0.072" Thk	1
10	E9NNK917HA	ADAPTER,11/16"-16 ORFS x 1/2"-20 ORB	ADAPTER,11/16"-16 ORFS x 1/2"-20 ORB	1
11	9617873	O-RING,0.468" ID x 0.078" Thk	O-RING,0.468" ID x 0.078" Thk	1
12	E9NNK917JA	ADAPTER	ADAPTER	1
13	81824558	SEAL,70 Duro, 8.65" ID x 8.7" OD x .107" Thk	Piston, Rear	1
14	C9NN7R029A	PISTON	PISTON	1
15	C9NN7N947A	SEAL,70 Duro, 7.32" ID x 7.36" OD x .107" Thk	Piston, Front	1



P A G . 2

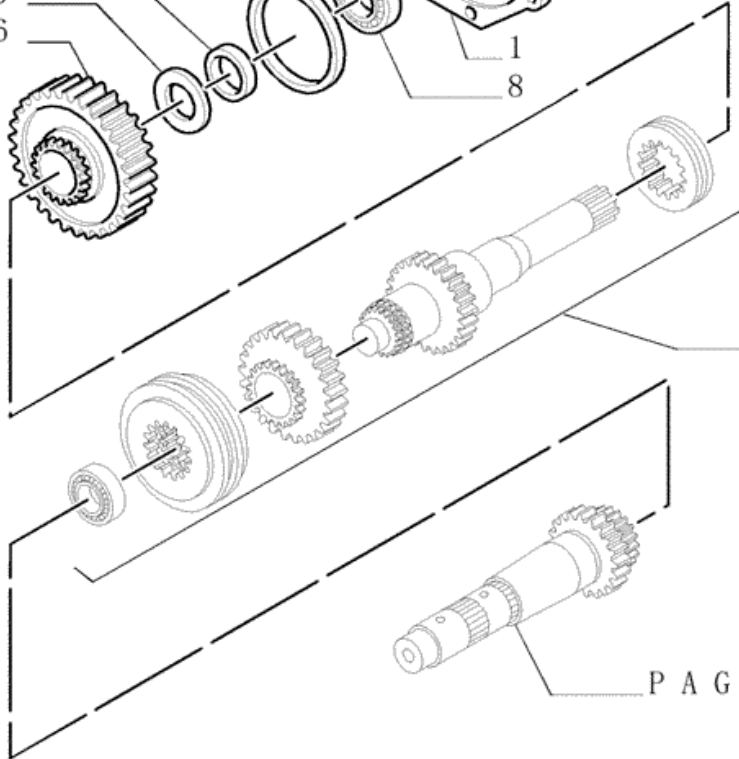


7
9
10
6

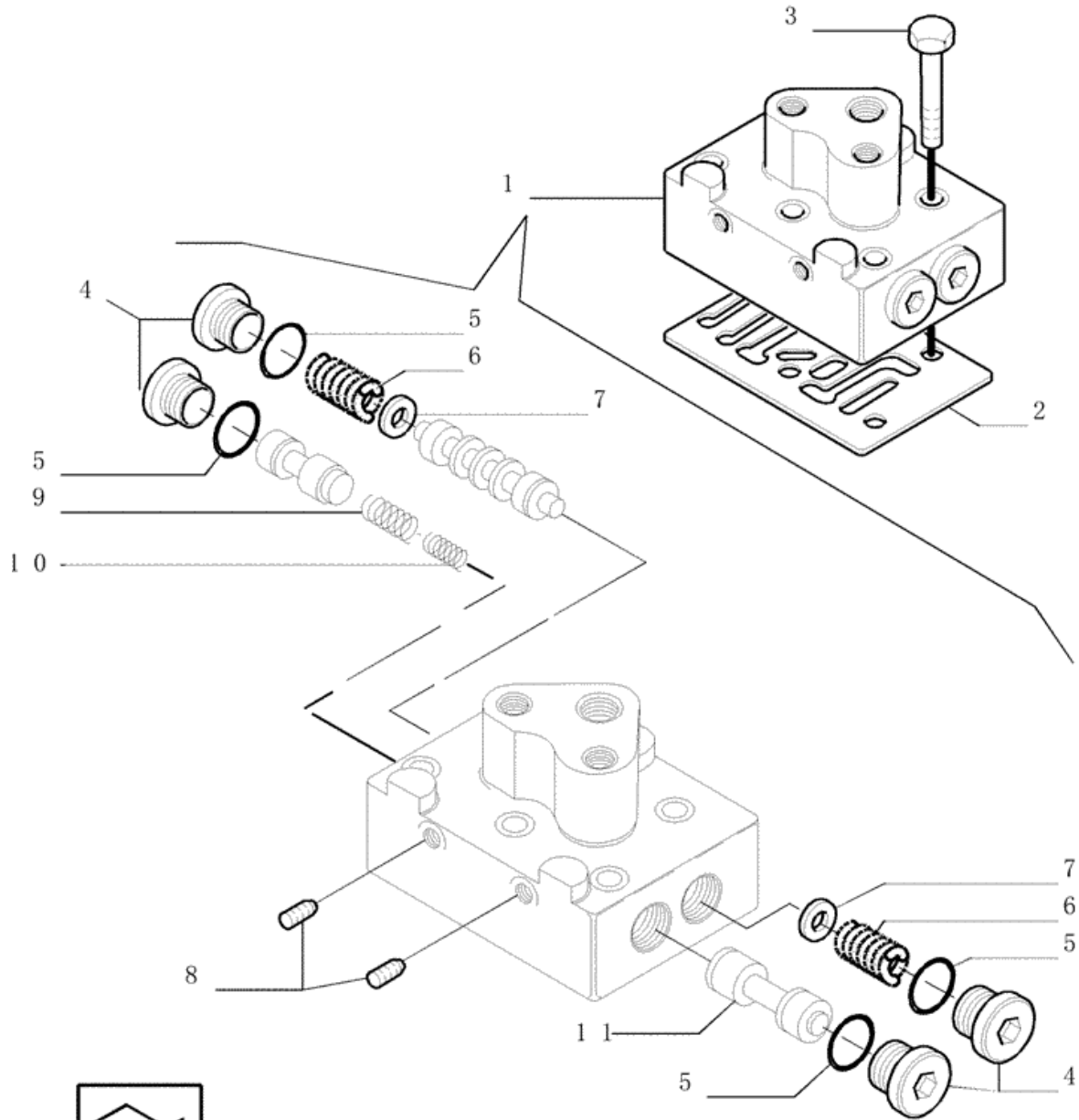
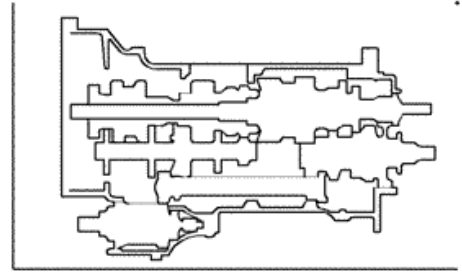
2
3
4
5
7

1
8

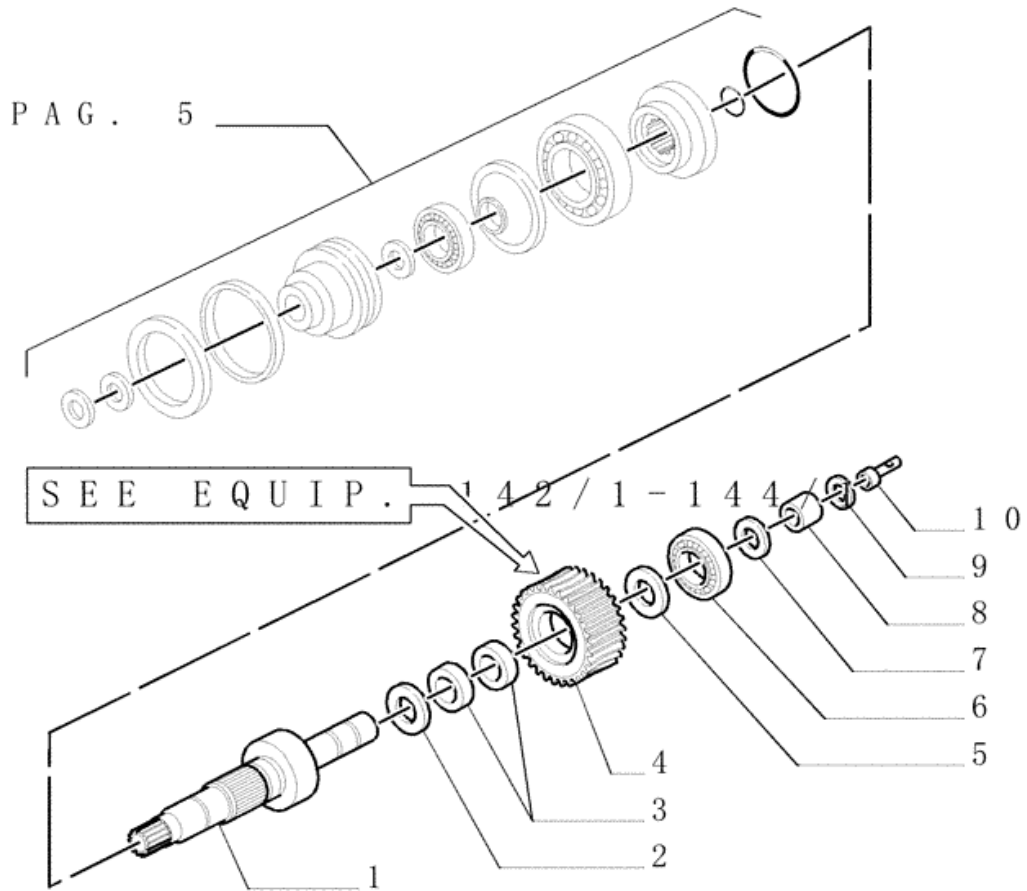
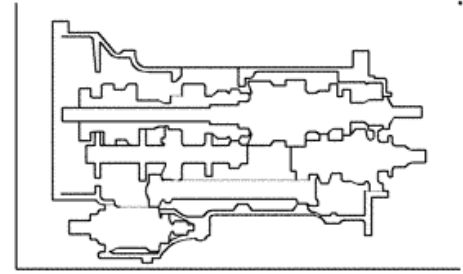
P A G . 4



P A G . 4

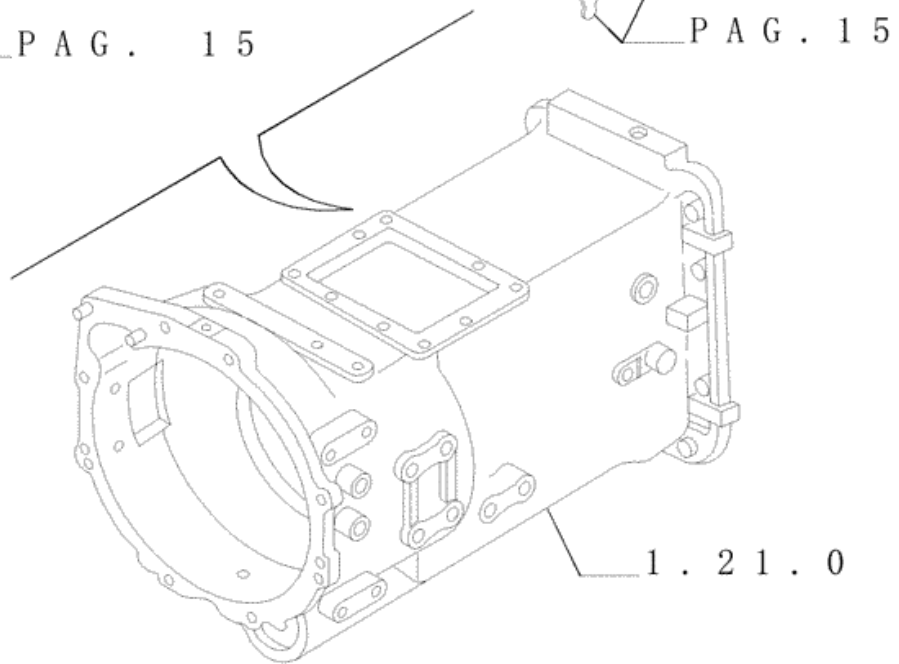
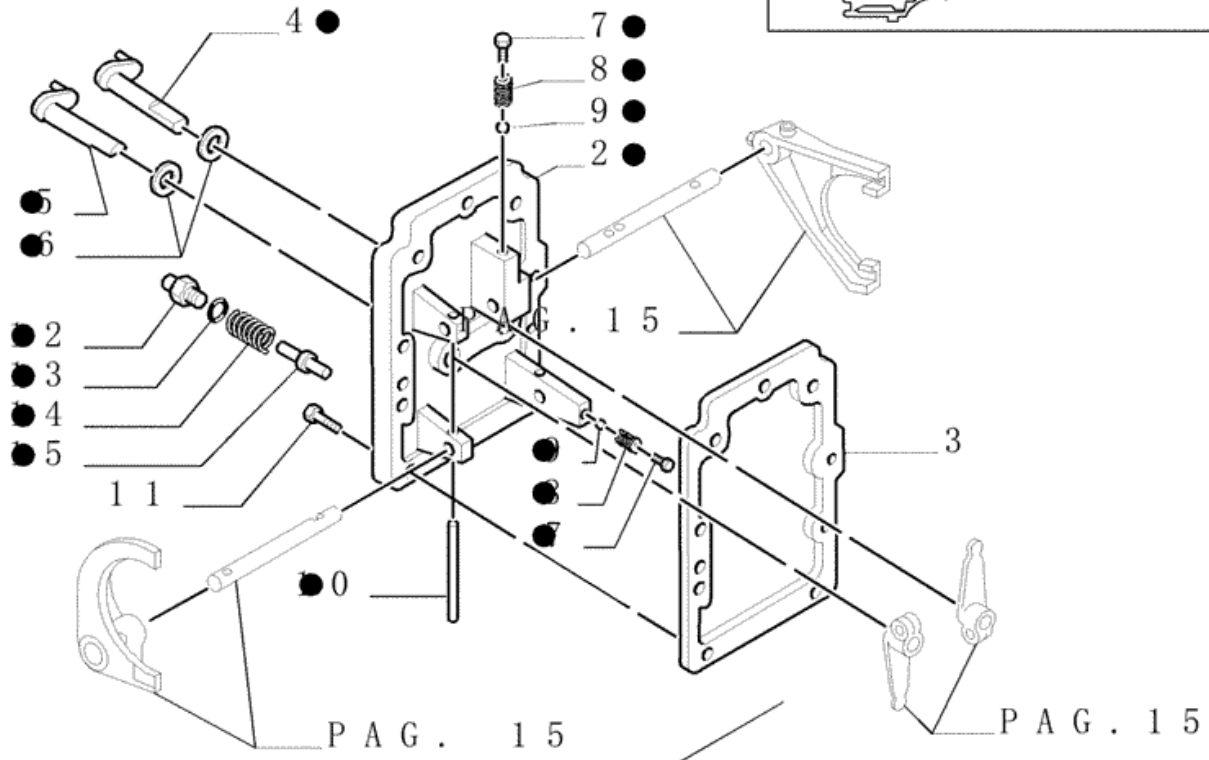
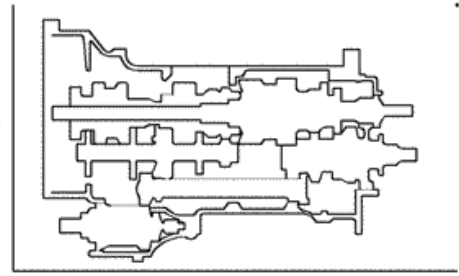


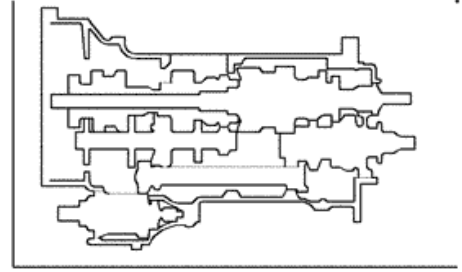
4 W D O N L Y



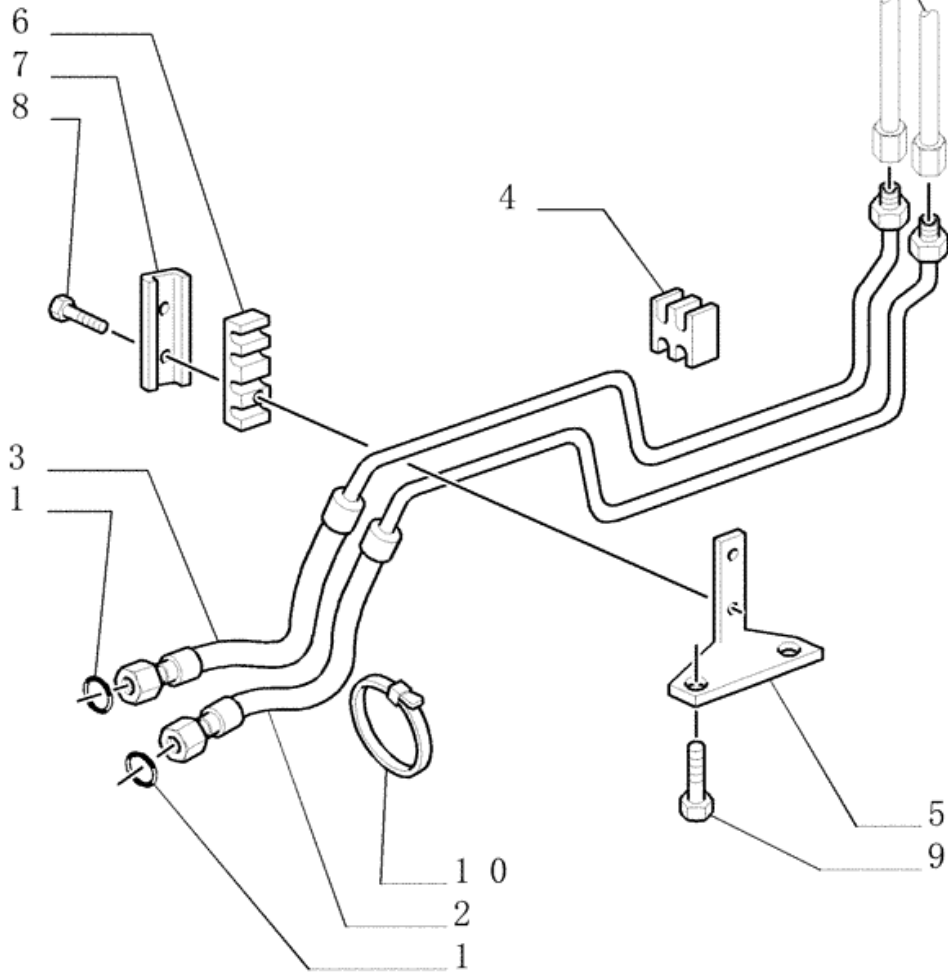


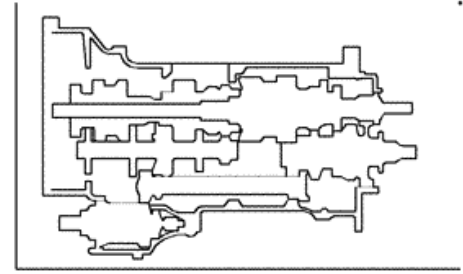
1
5 0



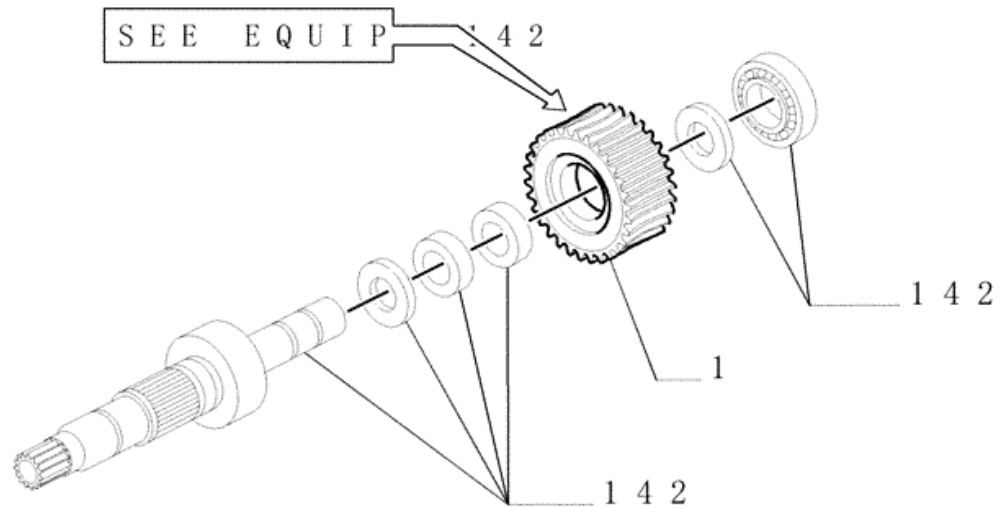


P A G . 2 3

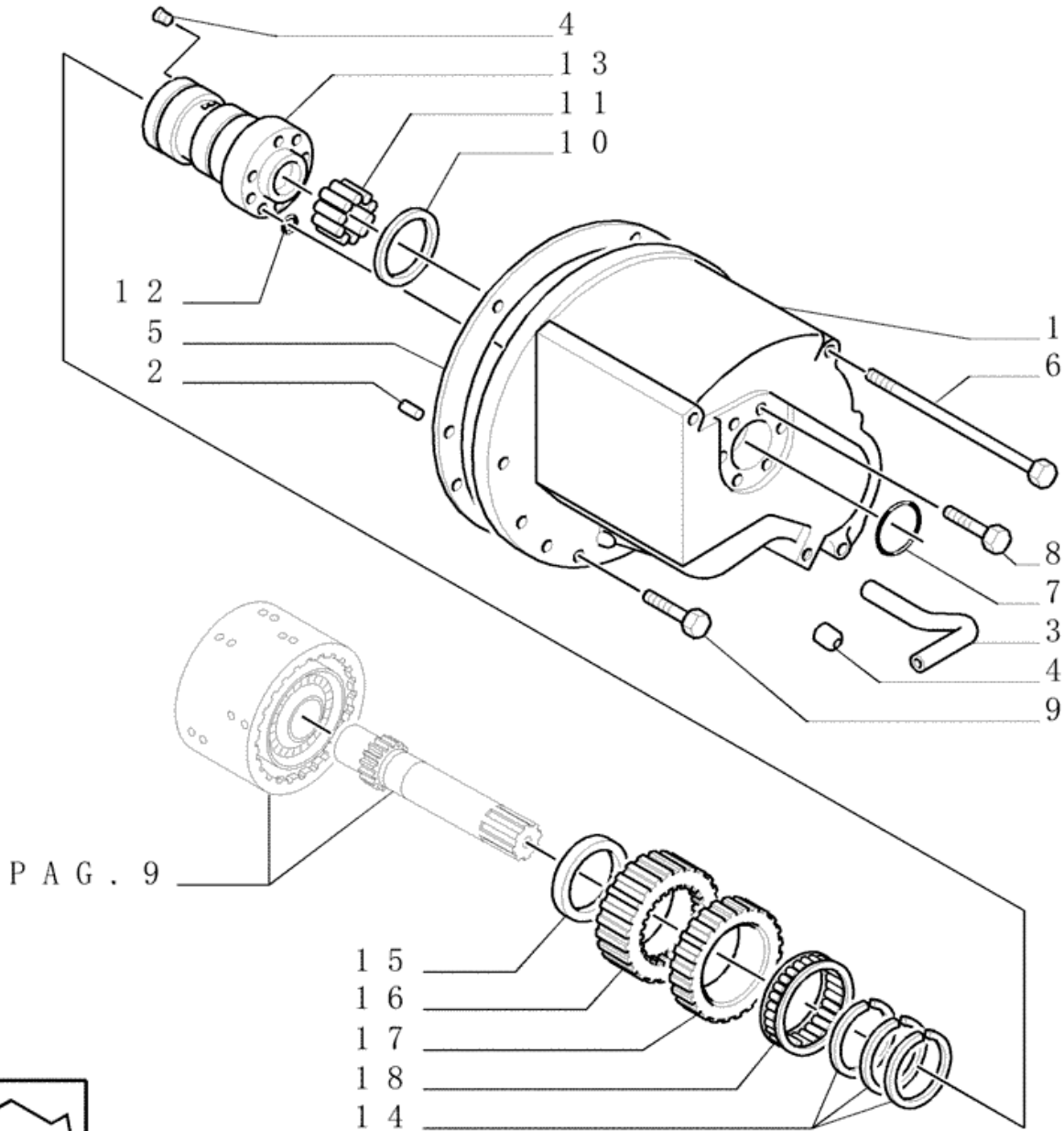
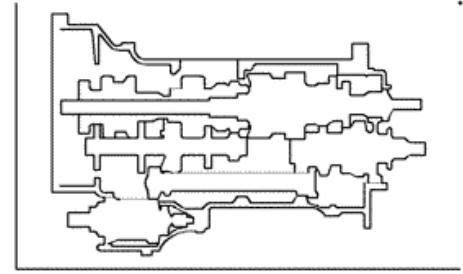


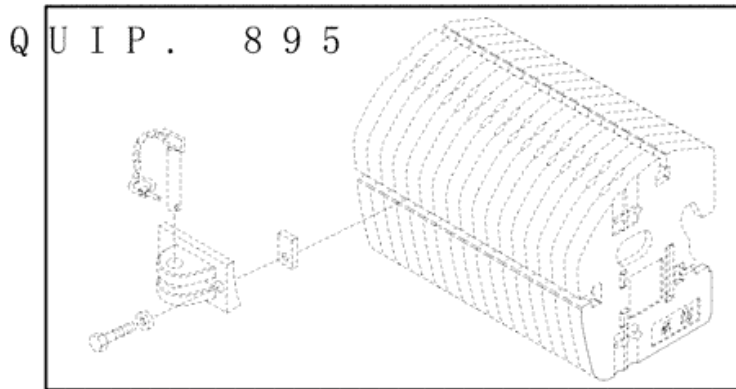
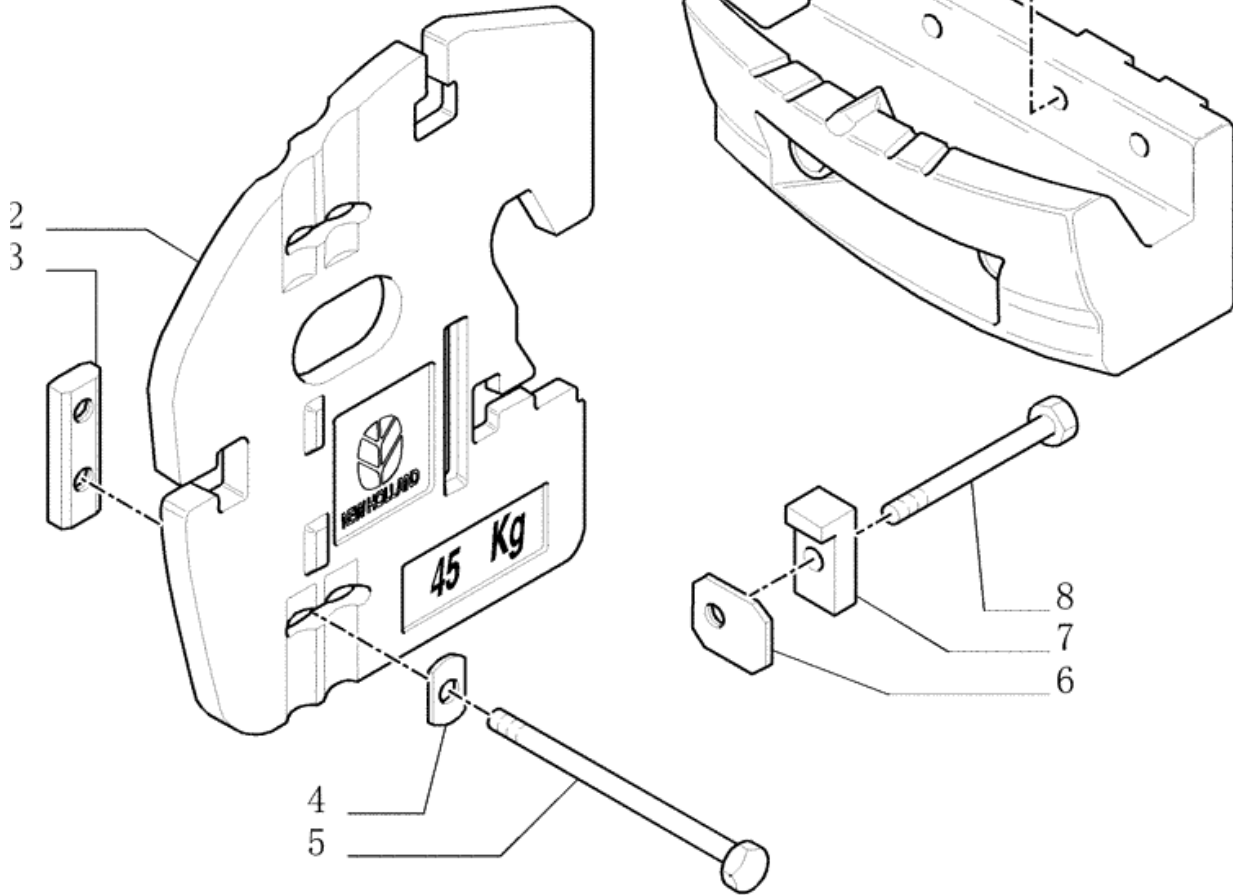
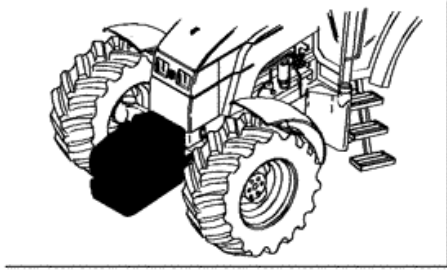


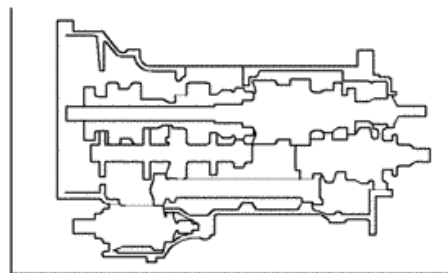
D I F F E R S F R I O 4 M 2 S E S U H D W N
D I F F E R I S C E D A I L 4 P 2 E R V Q R A N T D E I N D I C A
D I F F E R A N T D E I L P 2 O U V R A R C I E A N Q T U E I E S T I N



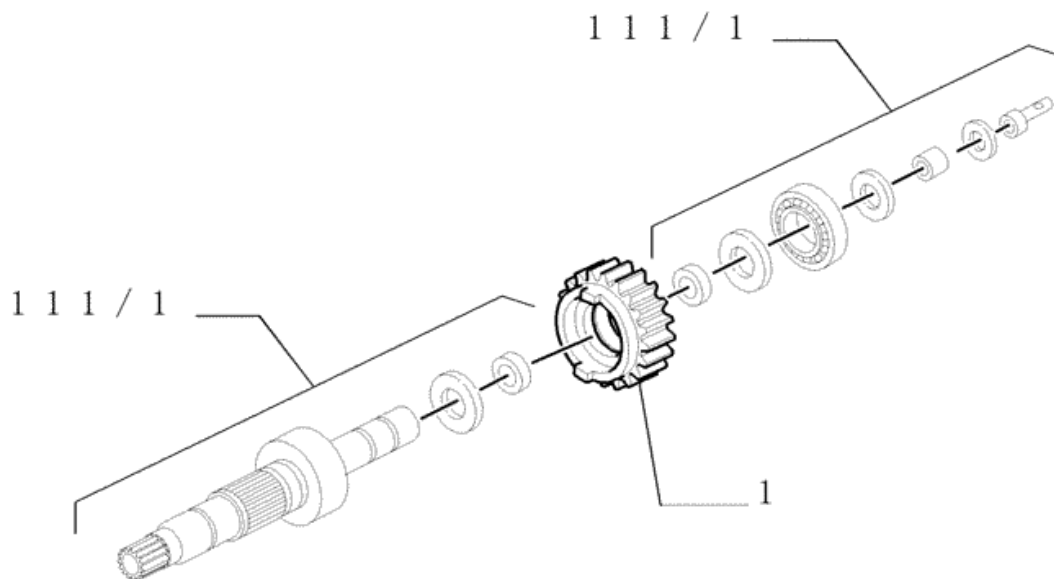
DUAL POWER







D I F F E R S F R I O I M I A / E I Q S H O W N
D I F F E R I S C E D A I L I L I A / E I N A Q U A N T O E I N D I C A
D I F F E R A N T D E I L R Ø V R R C E N Q E I E S T I N



(TS100) - EMISSIONISED TRACTOR (11/97-7/03) > (1.33.0[01]) - IDLER CASE

Diag #	Part #	Name	Description	Qty
1	CAR123127	SUMP	Front	1
2	E6NN3N253AA	SEAL	SEAL	1
3	CAR127831	SOLENOID VALVE	12 Volt	1
4	304724S36	BOLT,Hex, 7/16"-14 x 1 1/4", G5	BOLT,Hex, 7/16"-14 x 1 1/4", G5	10
5	CAR30756	DUST CAP,M9	DUST CAP,M9	2
6	CAR72259	DOWEL,M10 x 25	DOWEL,M10 x 25	2
7	88870	BOLT,Hex, 7/16" - 14 x 2 3/4", Gr 5	BOLT,Hex, 7/16" - 14 x 2 3/4", Gr 5	1
8	80280289	SCREW,Hex, 7/16" - 14 x 4-1/2", Gr 5	SCREW,Hex, 7/16" - 14 x 4-1/2", Gr 5	2
9	CAR128050	PLUG	PLUG	1
10	CAR49060	SEAL KIT	Solenoid	1

(TS100) - EMISSIONISED TRACTOR (11/97-7/03) > (1.40.0/ 2[01]) - FRONT AXLE-STEERING KNUCKLES-HUBS - 4WD

Diag #	Part #	Name	Description	Qty
1	5171553	KNUCKLE	ASSY. RH	1
2	5104199	BUSHING	42 x 46 x 28	1
3	14274534	LOCK BOLT,Hex, M12 x 1.25 x 30mm, CI 10.9, Full Thd	LOCK BOLT,Hex, M12 x 1.25 x 30mm, CI 10.9, Full Thd	12
4	5120532	LUBE NIPPLE,Straight, M14 x 1.5 x 6.50mm	LUBE NIPPLE,Straight, M14 x 1.5 x 6.50mm	4
5	5137239	BALL STUD	BALL PIN	4
6	5137456	SHIM,56.5mm ID x 97mm OD x 0.1mm Thk	SHIM,56.5mm ID x 97mm OD x 0.1mm Thk	1
6	5137457	SHIM,56.5mm ID x 97mm OD x 0.15mm Thk	SHIM,56.5mm ID x 97mm OD x 0.15mm Thk	1
7	10717611	NUT,Thin, M18 x 2.5, CI 04	NUT,Thin, M18 x 2.5, CI 04	2
8	5167638	SCREW	M18 x 105	2

(TS100) - EMISSIONISED TRACTOR (11/97-7/03) > (1.40.0/ 6[03]) - FRONT AXLE - BEVEL GEAR/PINION SET - 4WD

Diag #	Part #	Name	Description	Qty
1	5142027	SHIM,41.4mm ID x 58mm OD x 2.5mm Thk	SHIM,41.4mm ID x 58mm OD x 2.5mm Thk	1
1	5142028	SHIM,41.4mm ID x 58mm OD x 2.6mm Thk	SHIM,41.4mm ID x 58mm OD x 2.6mm Thk	1
1	5142029	SHIM,41.4mm ID x 58mm OD x 2.7mm Thk	SHIM,41.4mm ID x 58mm OD x 2.7mm Thk	1
1	5142030	SHIM,41.4mm ID x 58mm OD x 2.8mm Thk	SHIM,41.4mm ID x 58mm OD x 2.8mm Thk	1
1	5142031	SHIM,41.4mm ID x 58mm OD x 2.9mm Thk	SHIM,41.4mm ID x 58mm OD x 2.9mm Thk	1
1	5142032	SHIM,41.4mm ID x 58mm OD x 3mm Thk	SHIM,41.4mm ID x 58mm OD x 3mm Thk	1
1	5142033	SHIM,41.4mm ID x 58mm OD x 3.1mm Thk	SHIM,41.4mm ID x 58mm OD x 3.1mm Thk	1
1	5142034	SHIM,41.4mm ID x 58mm OD x 3.2mm Thk	SHIM,41.4mm ID x 58mm OD x 3.2mm Thk	1
1	5142035	SHIM,41.4mm ID x 58mm OD x 3.3mm Thk	SHIM,41.4mm ID x 58mm OD x 3.3mm Thk	1
1	5142036	SHIM,41.4mm ID x 58mm OD x 3.4mm Thk	SHIM,41.4mm ID x 58mm OD x 3.4mm Thk	1
1	5142037	SHIM,41.4mm ID x 58mm OD x 3.5mm Thk	SHIM,41.4mm ID x 58mm OD x 3.5mm Thk	1
1	5142038	SHIM,41.4mm ID x 58mm OD x 3.6mm Thk	SHIM,41.4mm ID x 58mm OD x 3.6mm Thk	1
1	5142039	SHIM,41.4mm ID x 58mm OD x 3.7mm Thk	SHIM,41.4mm ID x 58mm OD x 3.7mm Thk	1

(TS100) - EMISSIONISED TRACTOR (11/97-7/03) > (1.40.0/12[01]) - FRONT AXLE - HYDRAULIC STEERING CYLINDER (4WD)

Diag #	Part #	Name	Description	Qty
1	5189887	STEERING CYLINDER	STEERING CYLINDER	2
	5189887R	REMAN-HYD CYLINDER	TS90, TS100, TS110, TS115, All Emissionized,	2
	5189887C	CORE-HYD CYLINDER	Return Number	1
2	5173252	PIN,19.98mm x 79.50mm	2.59" long	2
3	5100730	WASHER,20.5mm ID x 28mm OD x 5.25mm Thk	WASHER,20.5mm ID x 28mm OD x 5.25mm Thk	4
4	11066876	SNAP RING,M20, Ext	SNAP RING,M20, Ext	2
5	87414	LUBE NIPPLE,1/4"-28 x 0.56"	LUBE NIPPLE,1/4"-28 x 0.56"	2
6	16043224	BOLT,Hex, M8 x 16mm, CI 8.8	BOLT,Hex, M8 x 16mm, CI 8.8	2
7	11193874	BELLEVILLE WASHER,8.4mm ID x 16.00mm OD x 1.4mm, 1.85mm, CI 8.8	BELLEVILLE WASHER,8.4mm ID x 16.00mm OD x 1.4mm, 1.85mm, CI 8.8	2
8	5142048	PIN,19.98mm x 107.00mm	PIN,19.98mm x 107.00mm	2
9	5142223	WASHER,20.5mm ID x 28mm OD x 16mm L	20.5 x 28 x 16	2
10	5120532	LUBE NIPPLE,Straight, M14 x 1.5 x 6.50mm	LUBE NIPPLE,Straight, M14 x 1.5 x 6.50mm	2
11	13000890	HOSE CLAMP	M50 - 70	2
12	16043424	SCREW,Hex, M8 x 1.25 x 20mm, CI 8.8, Full Thd	SCREW,Hex, M8 x 1.25 x 20mm, CI 8.8, Full Thd	2

(TS100) - EMISSIONISED TRACTOR (11/97-7/03) > (1.42.0/ 1[02]) - SERVO-ASSISTED STEERING HYDRAULIC SYSTEM (W/CAB - 2WD)

Diag #	Part #	Name	Description	Qty
1	81864513	TUBE,10 mm OD	RH	1
2	82001612	TUBE,10 mm OD, 492 mm Length	Power, LH	1
3	82013859	RIGID TUBE,14 mm OD	Return, Upper	1
4	82011950	TUBE,14 mm OD	Pressure, Upper	1
5	9992069	O-RING,0.614" ID x 0.754" OD x 0.07" Thk	O-RING,0.614" ID x 0.754" OD x 0.07" Thk	1
6	82016498	HYD CONNECTOR,M22 x 1.5 x 1"-14	HYD CONNECTOR,M22 x 1.5 x 1"-14	1
7	9992298	O-RING,0.489" ID x 0.629" OD x 0.07" Thk	O-RING,0.489" ID x 0.629" OD x 0.07" Thk	5
8	82016497	HYD CONNECTOR,13/16"-16 ORFS x M22 x 1.5	HYD CONNECTOR,13/16"-16 ORFS x M22 x 1.5	2
10	82016499	HYD CONNECTOR,11/16"-16 x M18 x 1.5	includes oring 81844851 and seal 83999938	2
11	F1NN3A713BB	RIGID TUBE	Return, Lower	1
12	82012166	TUBE	Pressure, Lower	1
13	81863437	HYD CONNECTOR,M18 x 13/16"-16 ORS	HYD CONNECTOR,M18 x 13/16"-16 ORS	1
14	81868904	CLAMP	CLAMP	1
15	82864136	SCREW,#8 x 7/8"	SCREW,#8 x 7/8"	1
16	F0NN3800AB	CLAMP	CLAMP	1
9	9993141	O-RING,0.364" ID x 0.504" OD x 0.07" Thk	O-RING,0.364" ID x 0.504" OD x 0.07" Thk	4

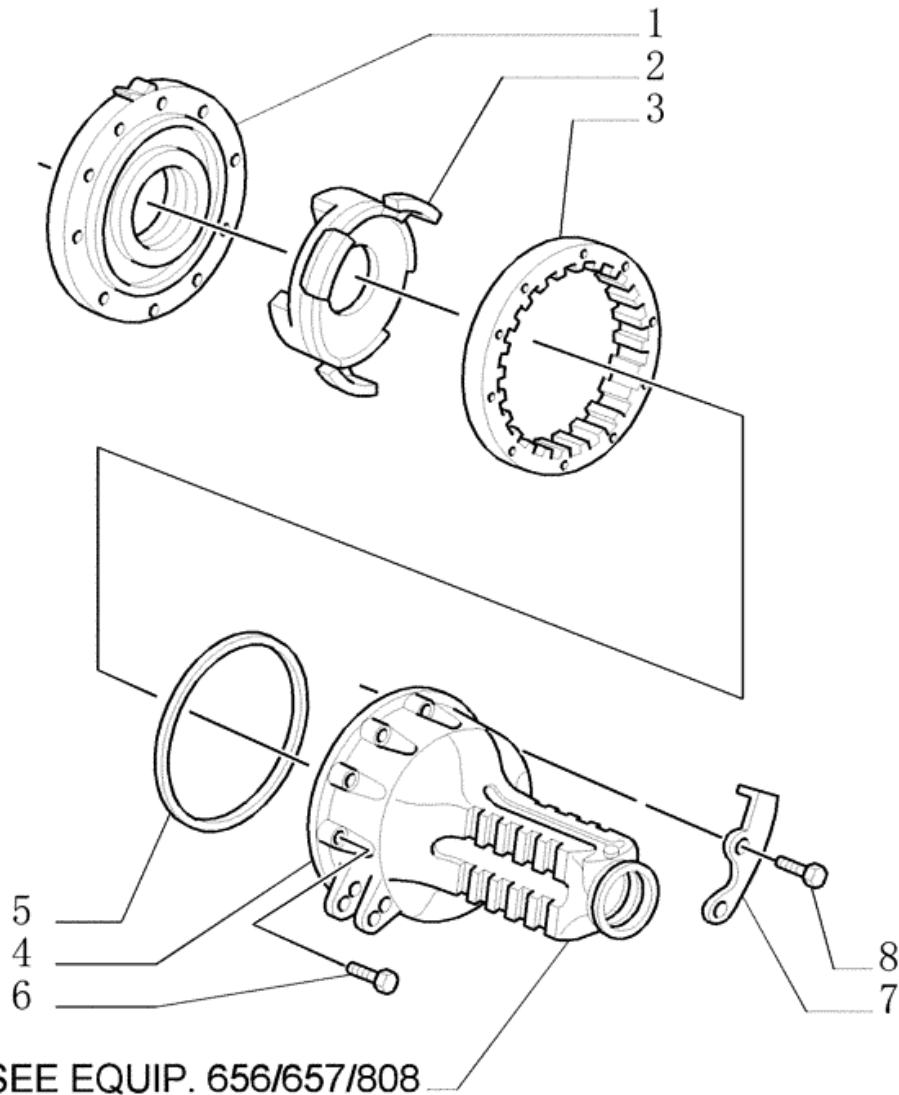
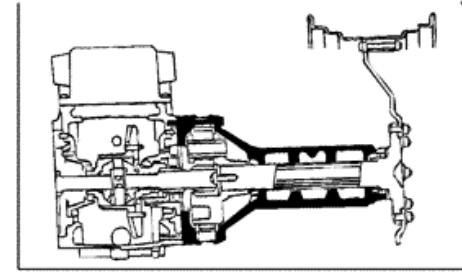
(TS100) - EMISSIONISED TRACTOR (11/97-7/03) > (1.42.0[01]) - SERVO-ASSISTED STEERING HYDRAULIC SYSTEM (W/CAB - 4WD)

Diag #	Part #	Name	Description	Qty
2	82003824	HYD. TUBE	Right Turn, TS115	1
2	82003825	RIGID TUBE	Right Turn	1
3	82003826	RIGID TUBE	Left Turn, TS115	1
3	82003827	RIGID TUBE	Left Turn, W/16 x 16 Trans.	1
3	82003828	RIGID TUBE	Left Turn, W/12 x 12 Trans.	1
4	82852524	RUBBER PAD	RUBBER PAD	1
5	82001482	BRACKET	BRACKET	1
6	F0NN3800CA	CLAMP	CLAMP	1
7	82004584	CLAMP	CLAMP	1
8	86977786	BOLT,Hex, M6 x 1.0 x 25mm, Cl 8.8	BOLT,Hex, M6 x 1.0 x 25mm, Cl 8.8	2
9	88044	BOLT,Hex, 3/8" - 16 x 1 1/2", Gr 5	BOLT,Hex, 3/8" - 16 x 1 1/2", Gr 5	2
10	263117	CABLE TIE,.14" x 11 1/2"	CABLE TIE,.14" x 11 1/2"	1
1	9993141	O-RING,0.364" ID x 0.504" OD x 0.07" Thk	O-RING,0.364" ID x 0.504" OD x 0.07" Thk	2

(TS100) - EMISSIONISED TRACTOR (11/97-7/03) > (102[05]) - TOBACCO AXLE (NASO)

Diag #	Part #	Name	Description	Qty
1	83946319	SUPPORT	SUPPORT	2
2	E6NN1N118AA	BOLT	Serrated Hd, Tobacco Special, 3/4"-16 x 5-1/4"	16
3	E9NN19N233AB	DECAL	DECAL	1

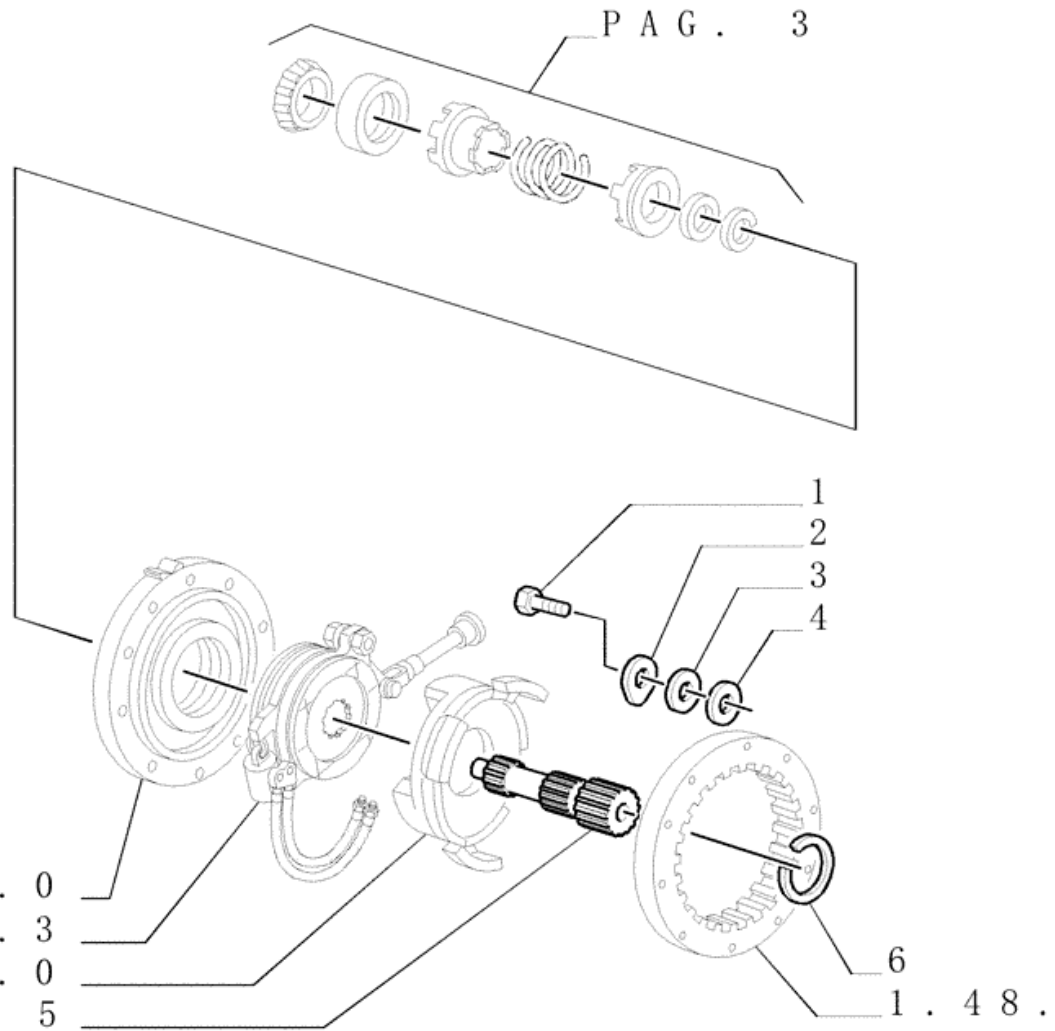
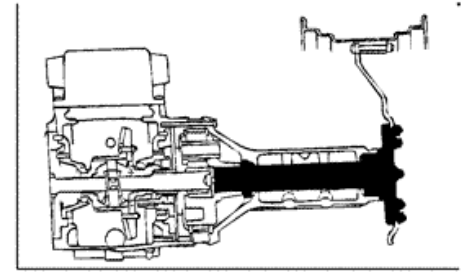
W/ 12x12 AND 16x16 TRANS.

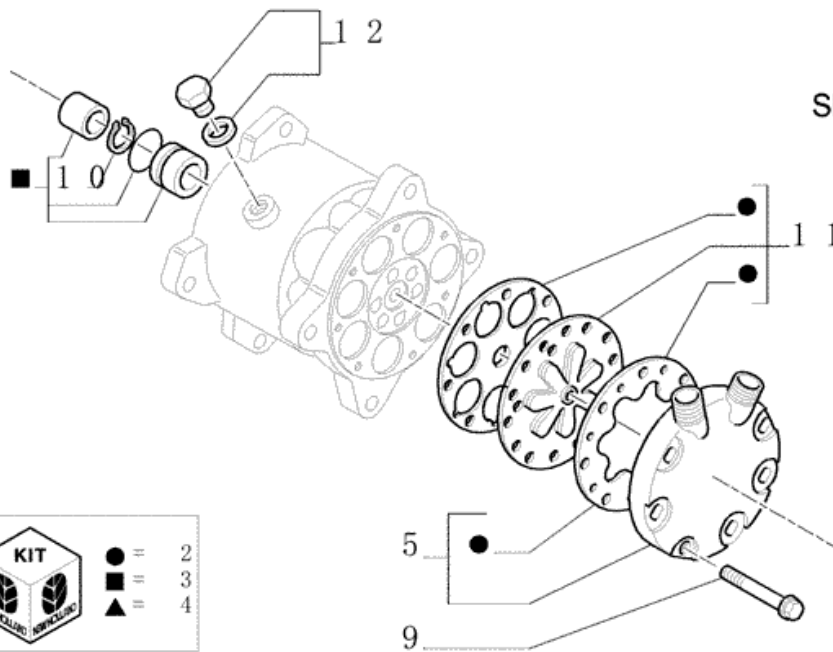
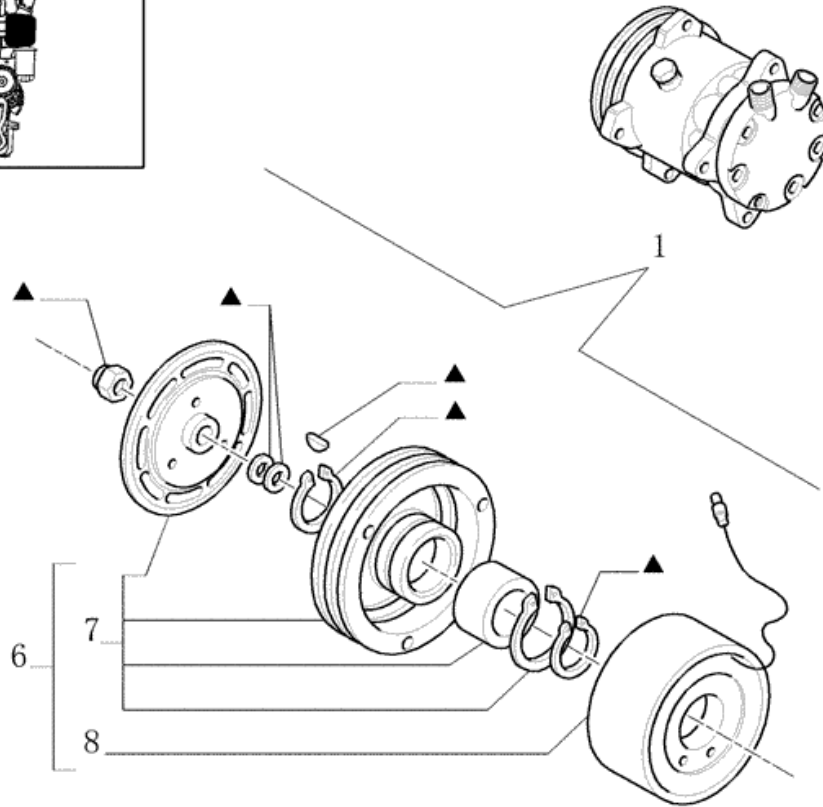
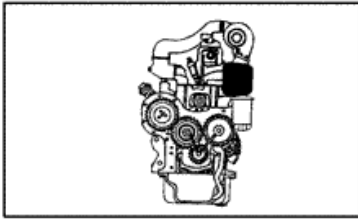


SEE EQUIP. 656/657/808



W / 12 x 12 AND 16 x 16





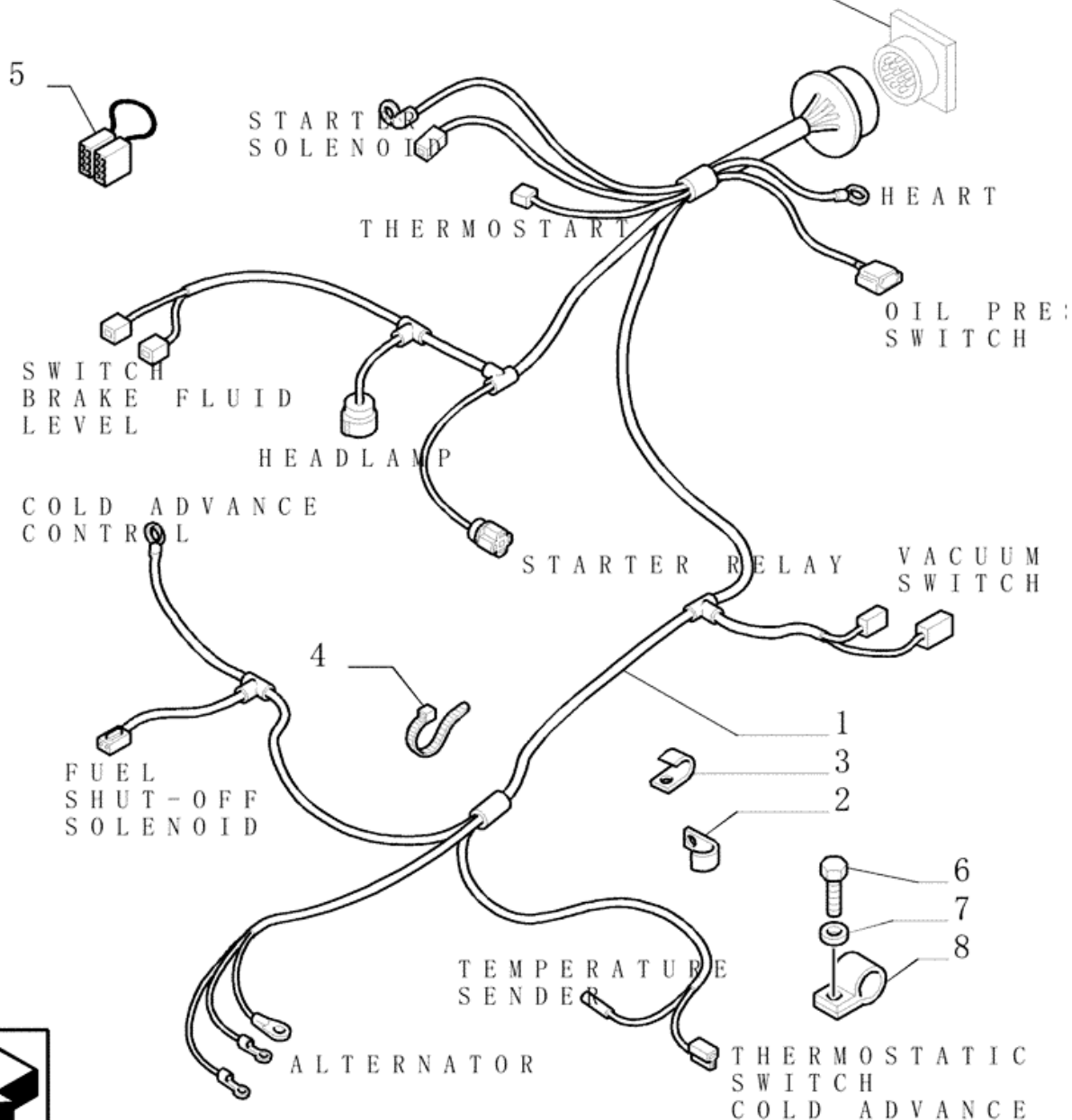
SEE ALSO PAG.2



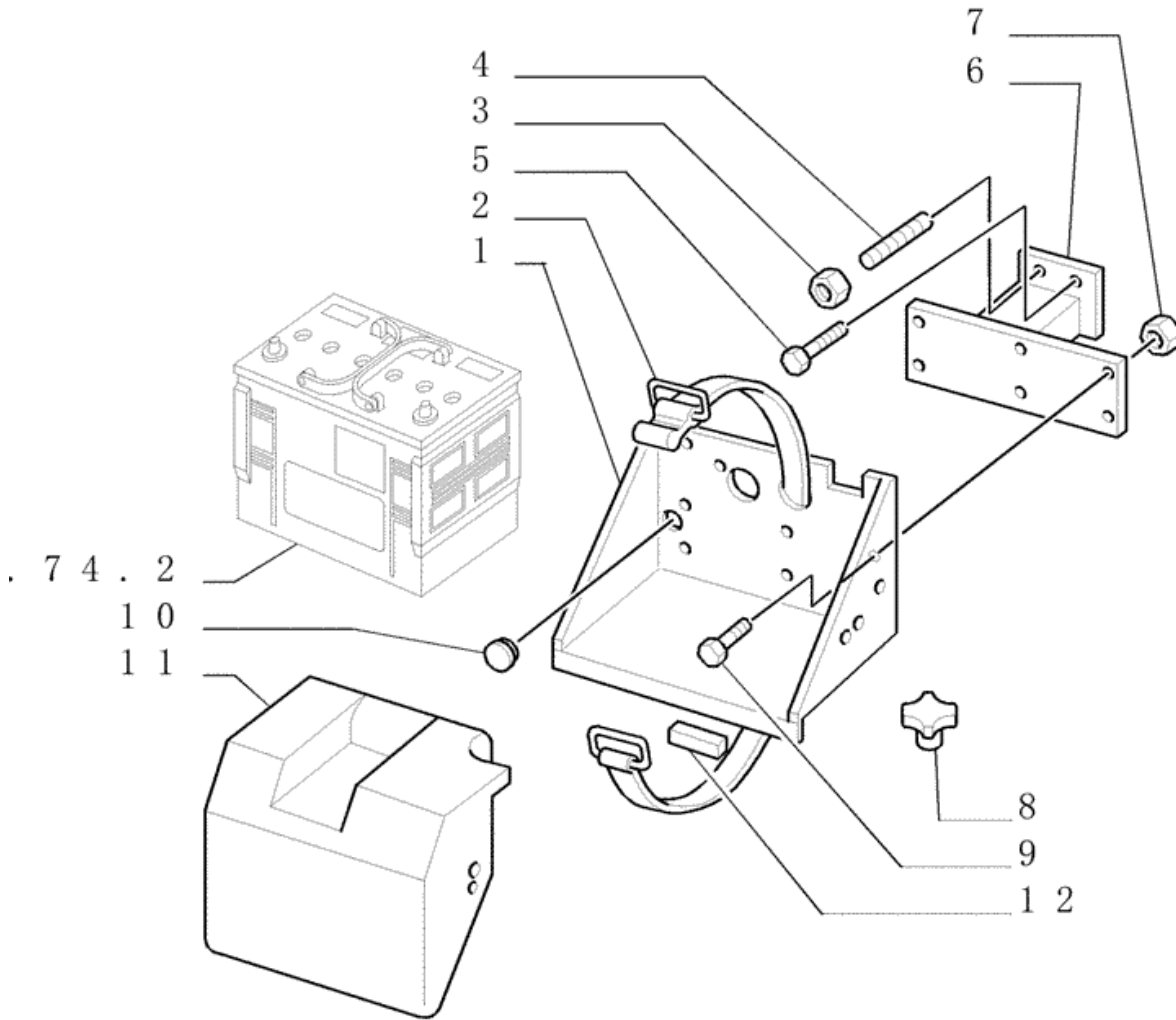
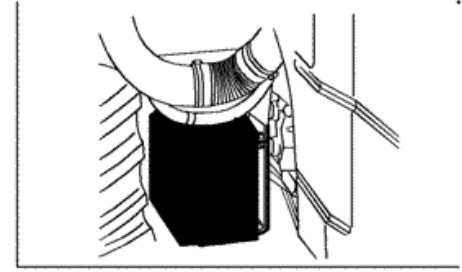
EMISSIONISED ENGINE
SEE EQUIP. 753, 643

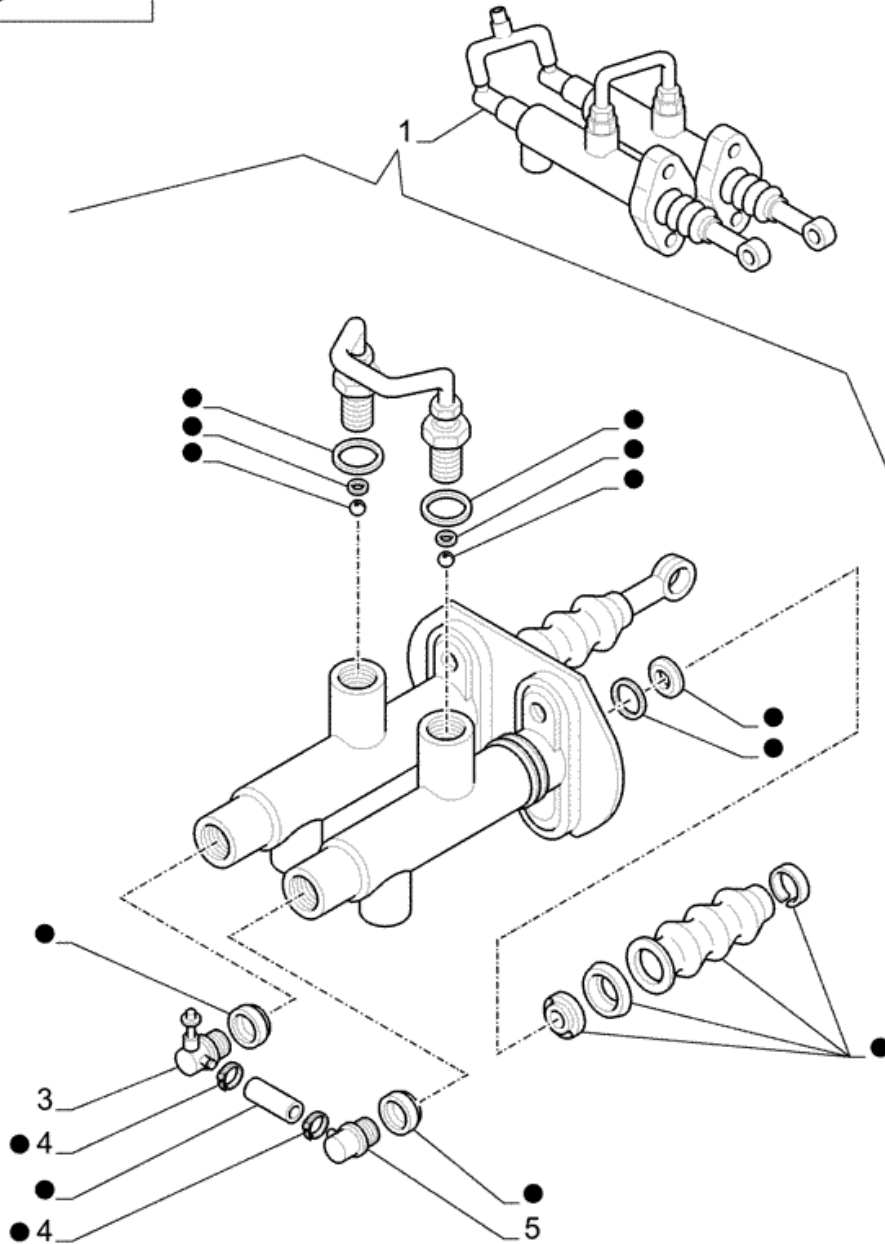
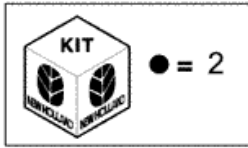
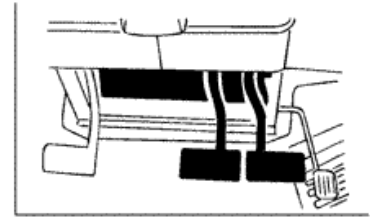


PAG. 3 OR 4



STRADDLE EQUIP.



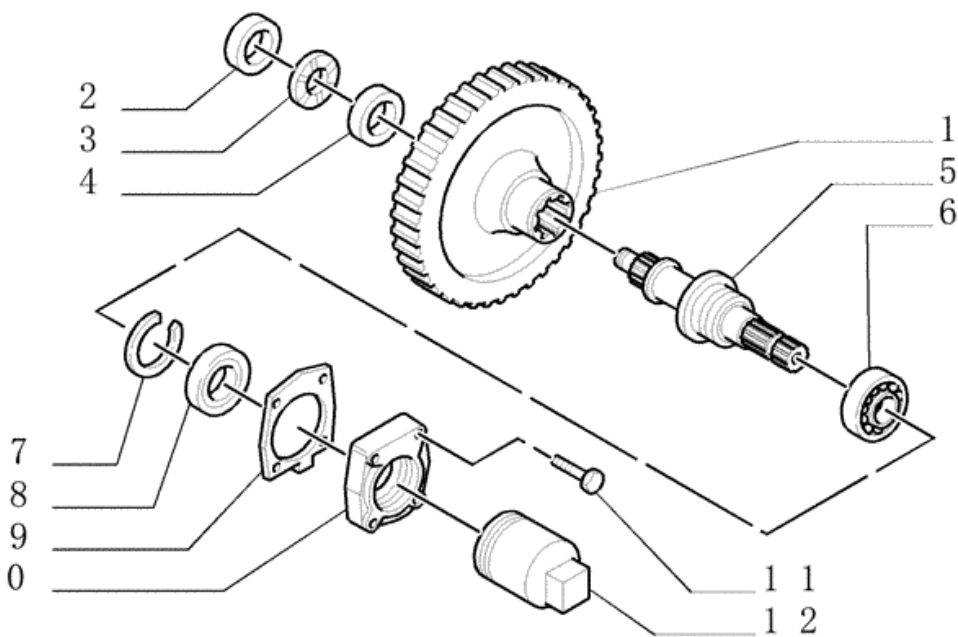
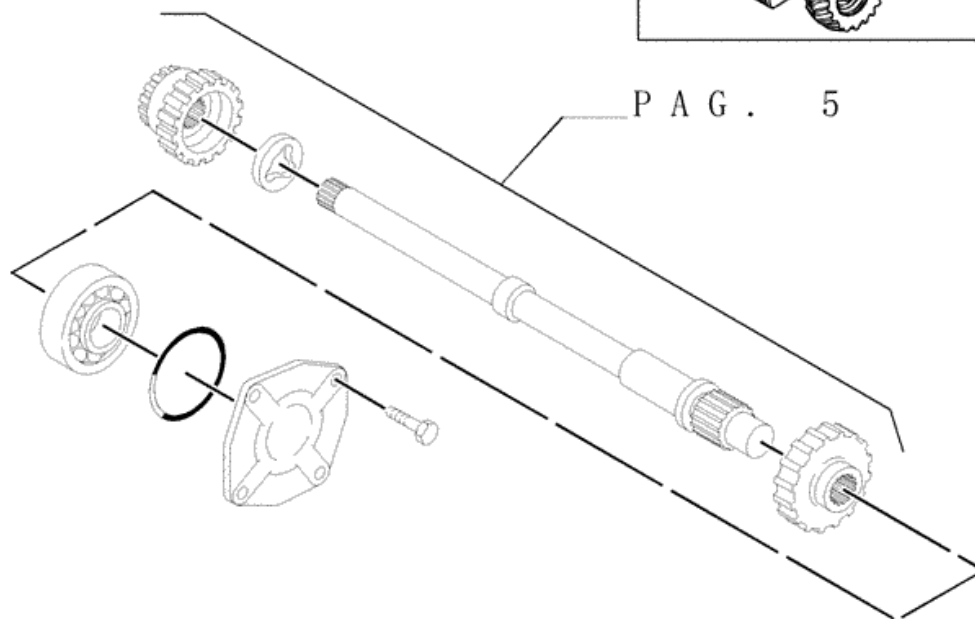


STRADDLE EQUIP., W /

8 x 2



P A G . 5



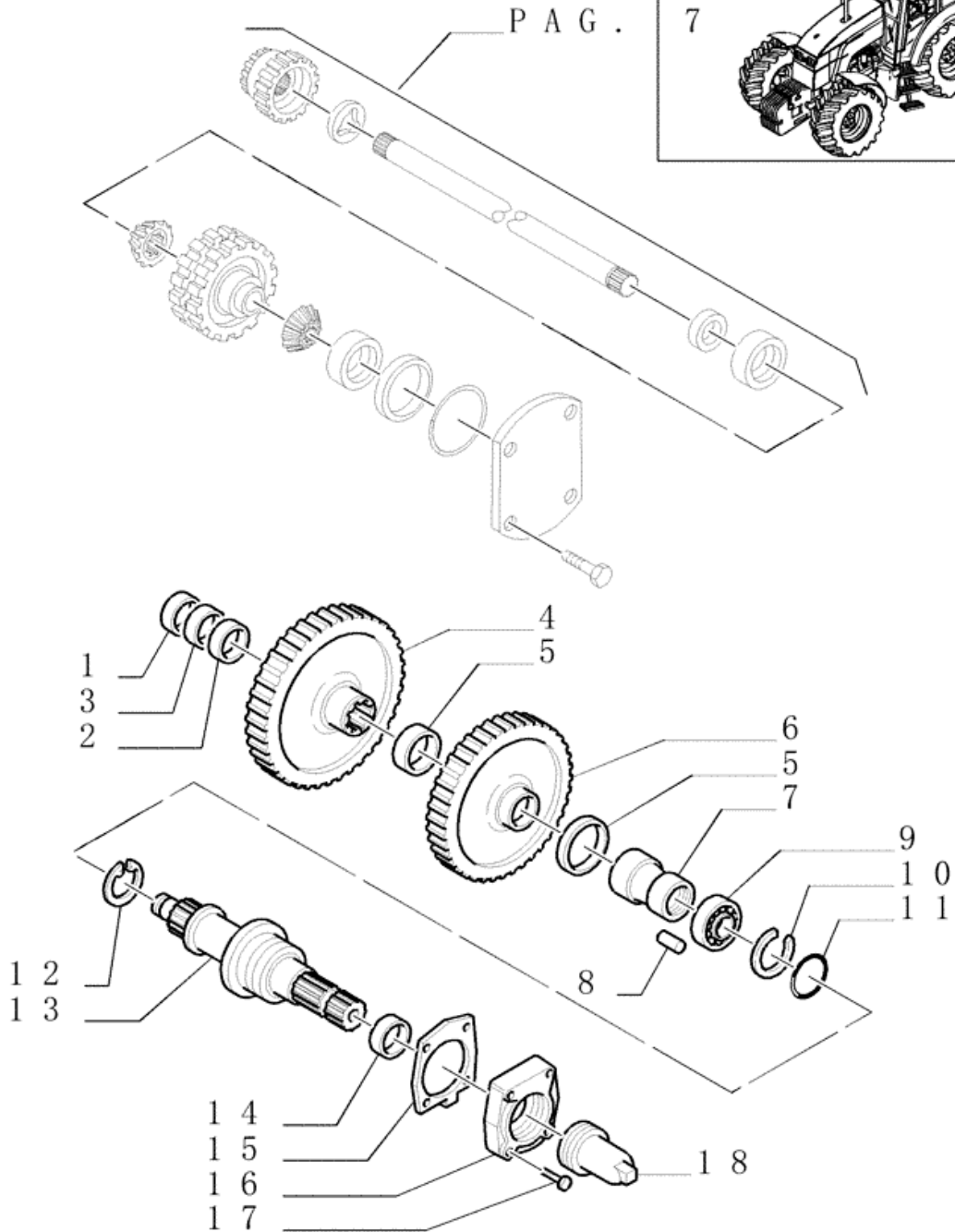
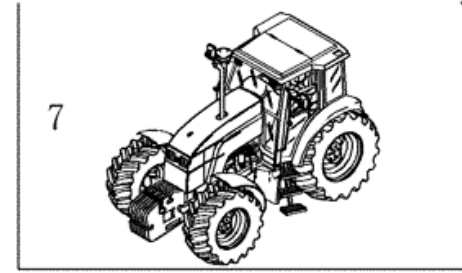
CLICK HERE TO **DOWNLOAD** THE COMPLETE MANUAL

- Thank you very much for reading the preview of the manual.
- You can download the complete manual from: www.heydownloads.com by clicking the link below

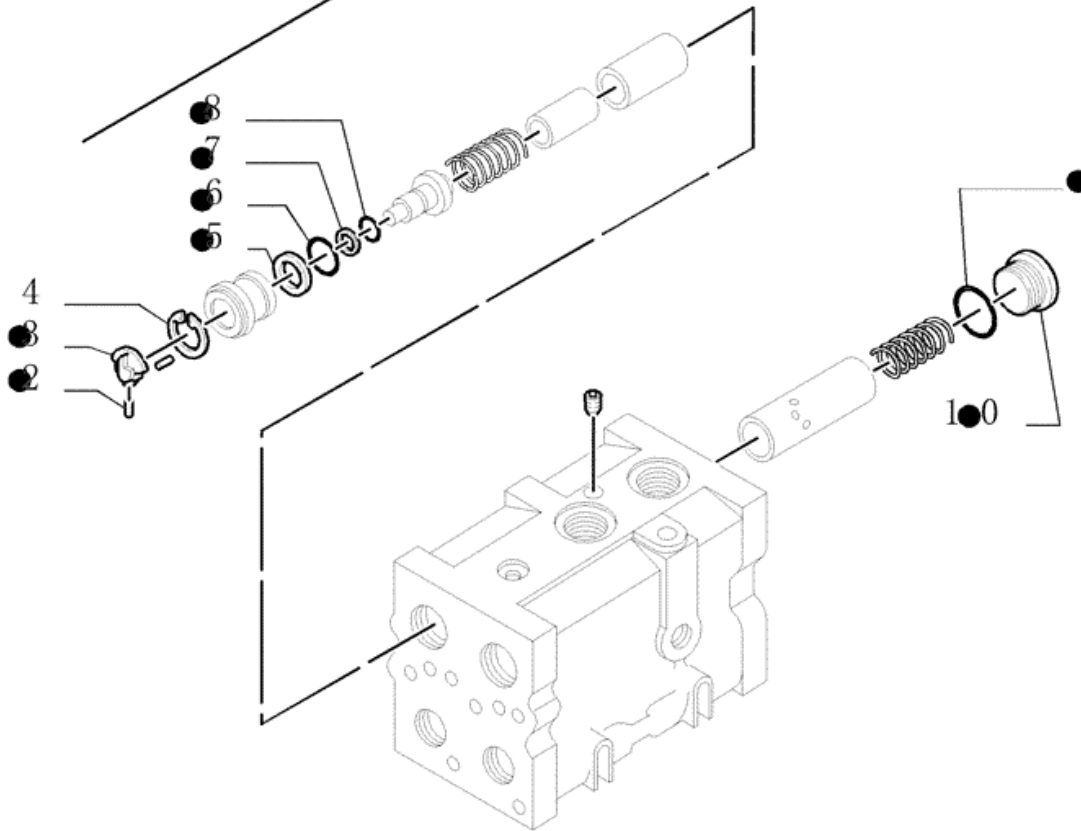
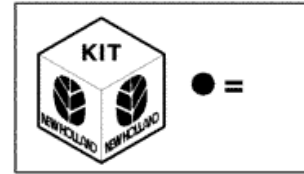
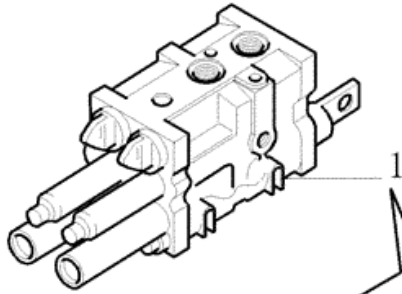
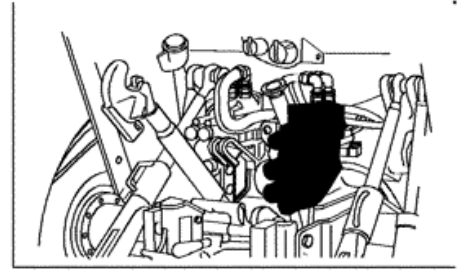


- Please note: If there is no response to CLICKING the link, please download this PDF first and then click on it.

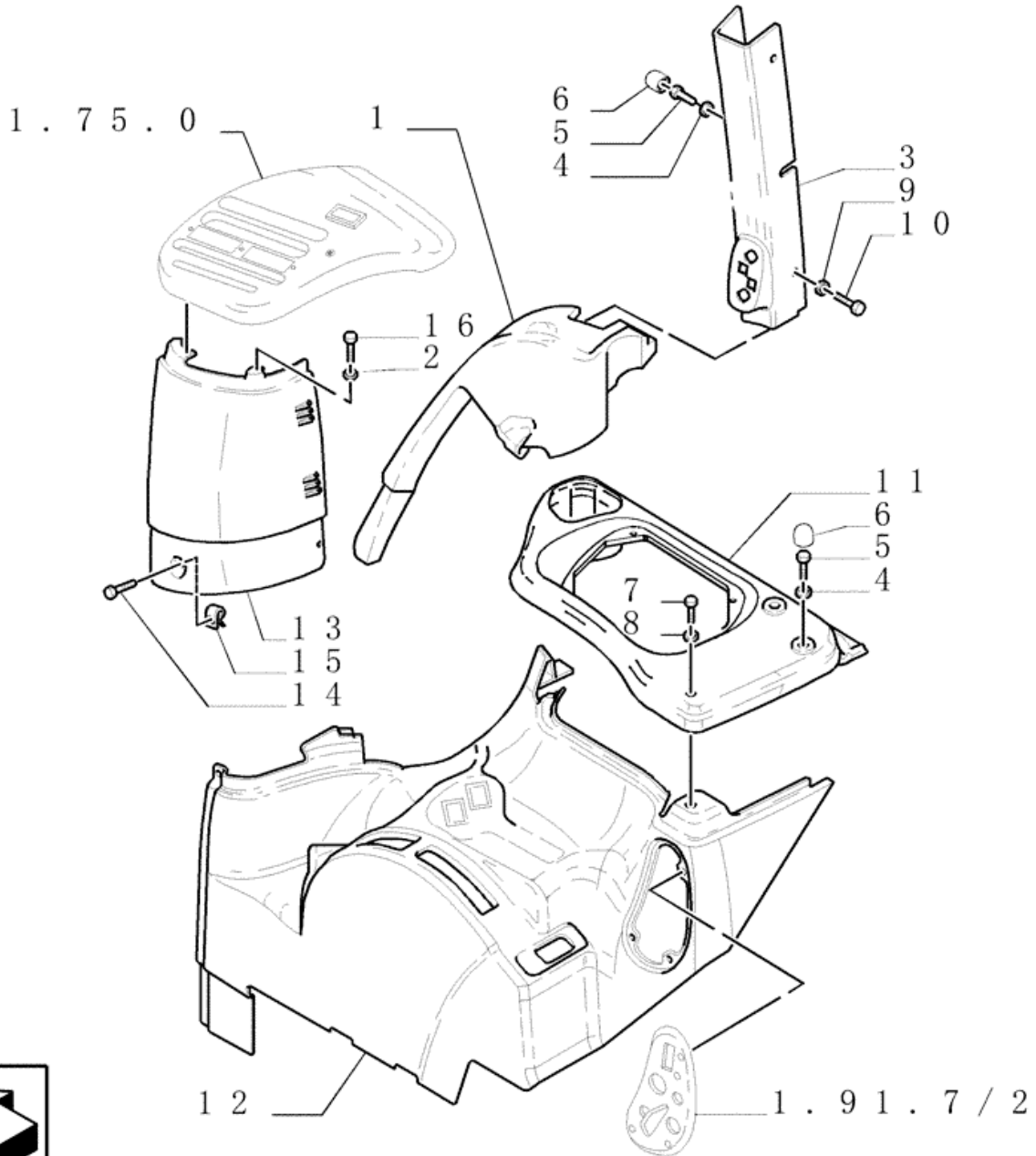
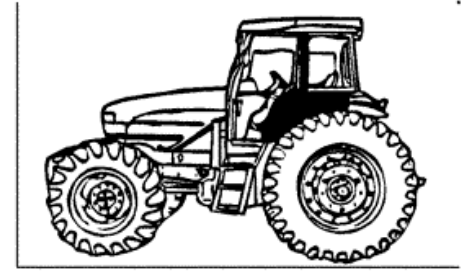
CLICK HERE TO **DOWNLOAD** THE COMPLETE MANUAL

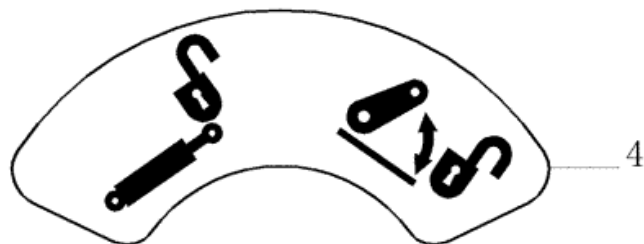
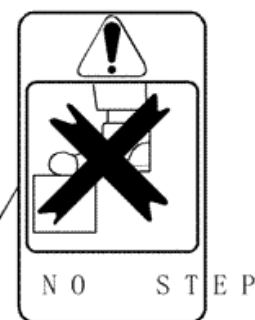
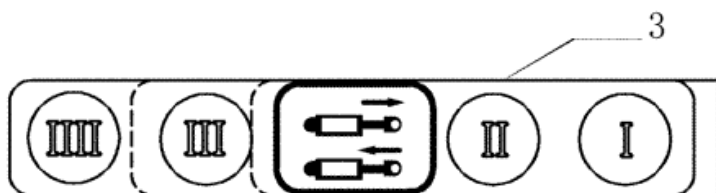
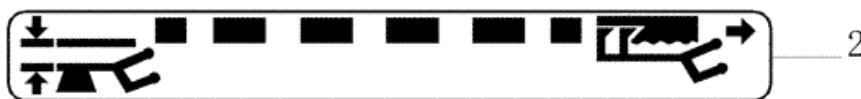
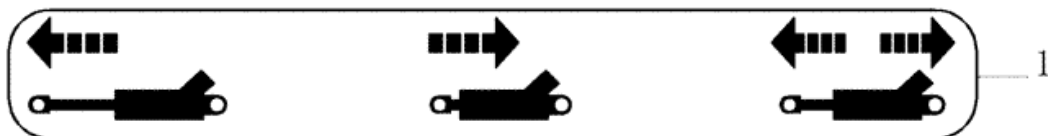


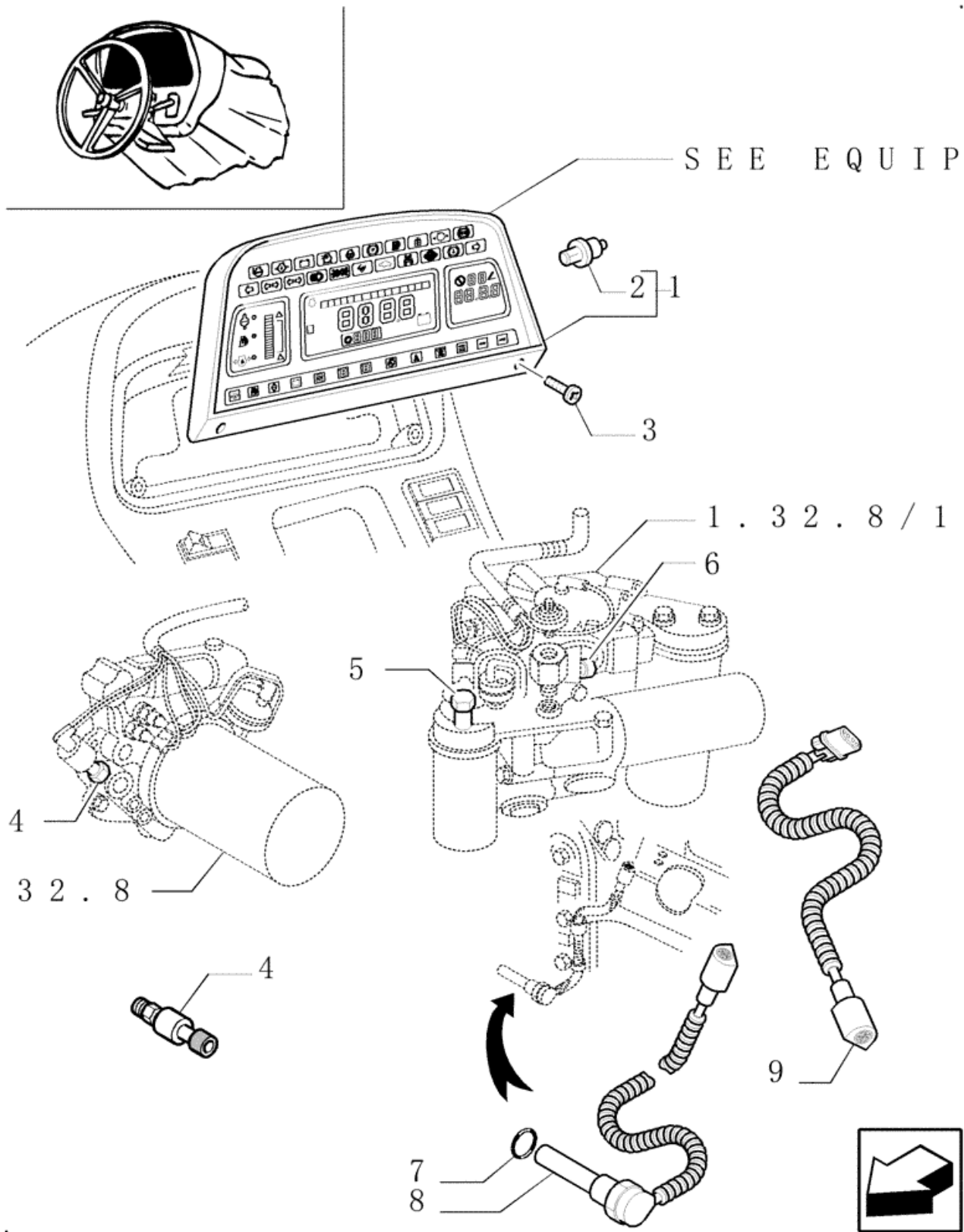
THIS PAGE IS SPECIFIC FOR:
 TS90 W/ 16x16 TRANS. W/ CAB
 TS100 W/ 12x12 TRANS. W/ PLATFORM
 TS100 W/ 16x16 TRANS. W/ CAB OR PLATFORM
 TS110 W/ 12x12 AND 16x16 TRANS. W/ CAB OR PLATF

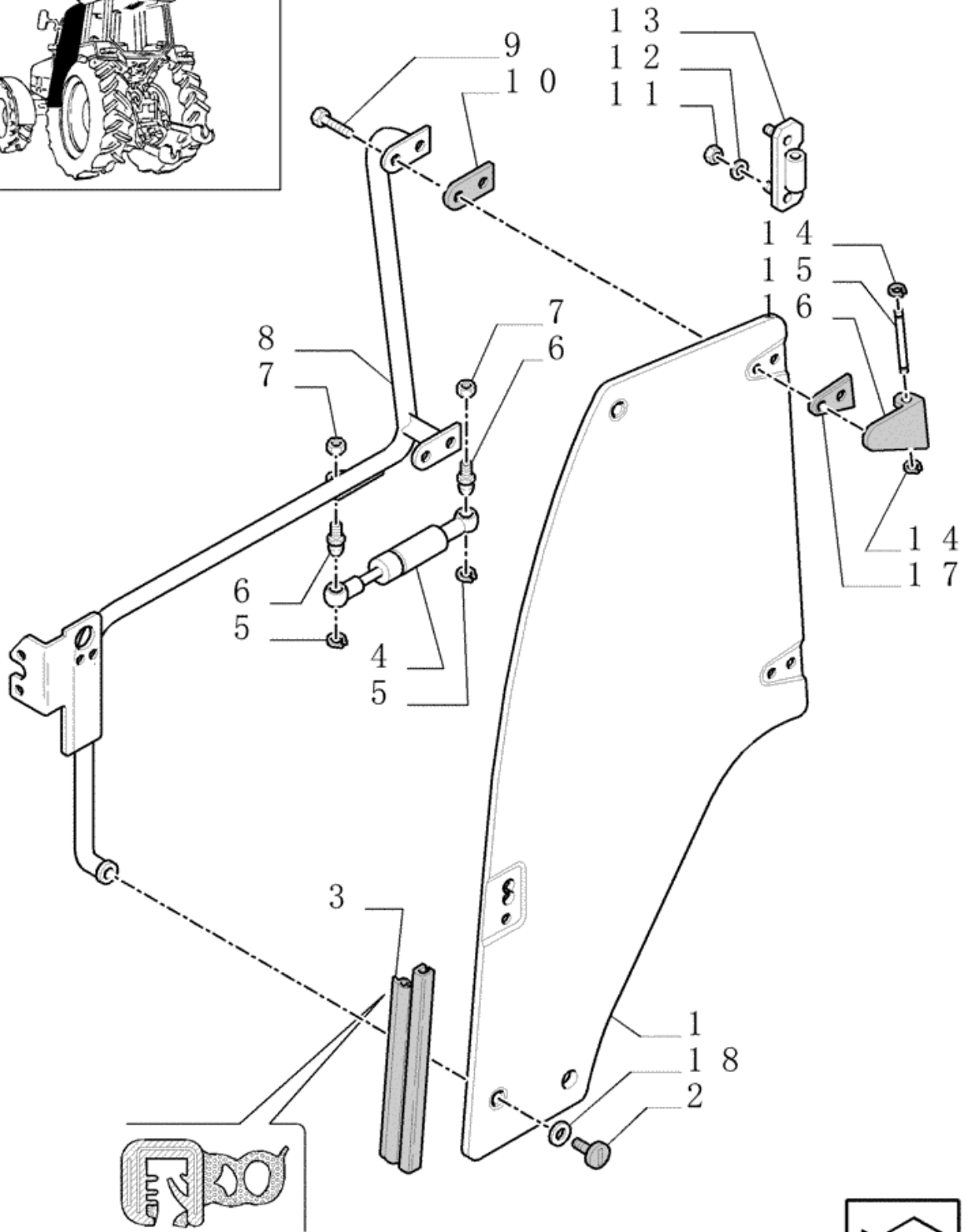
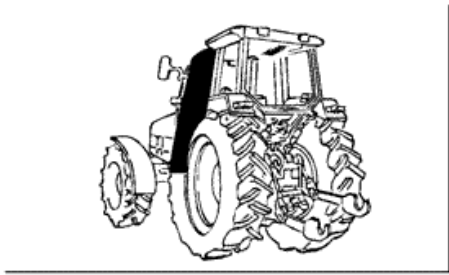


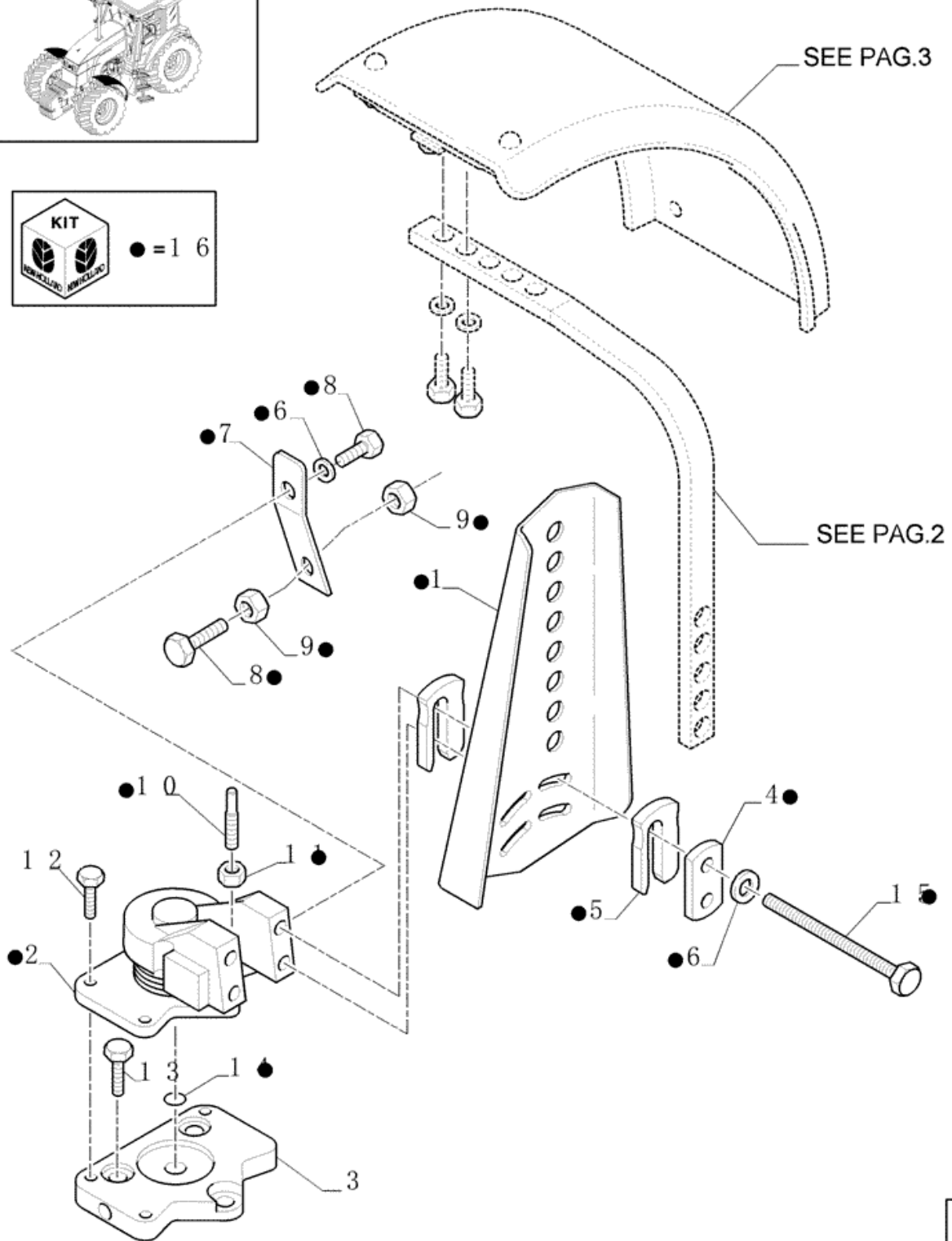
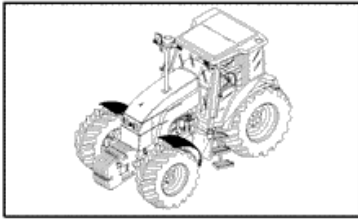
R I G H T S I D E

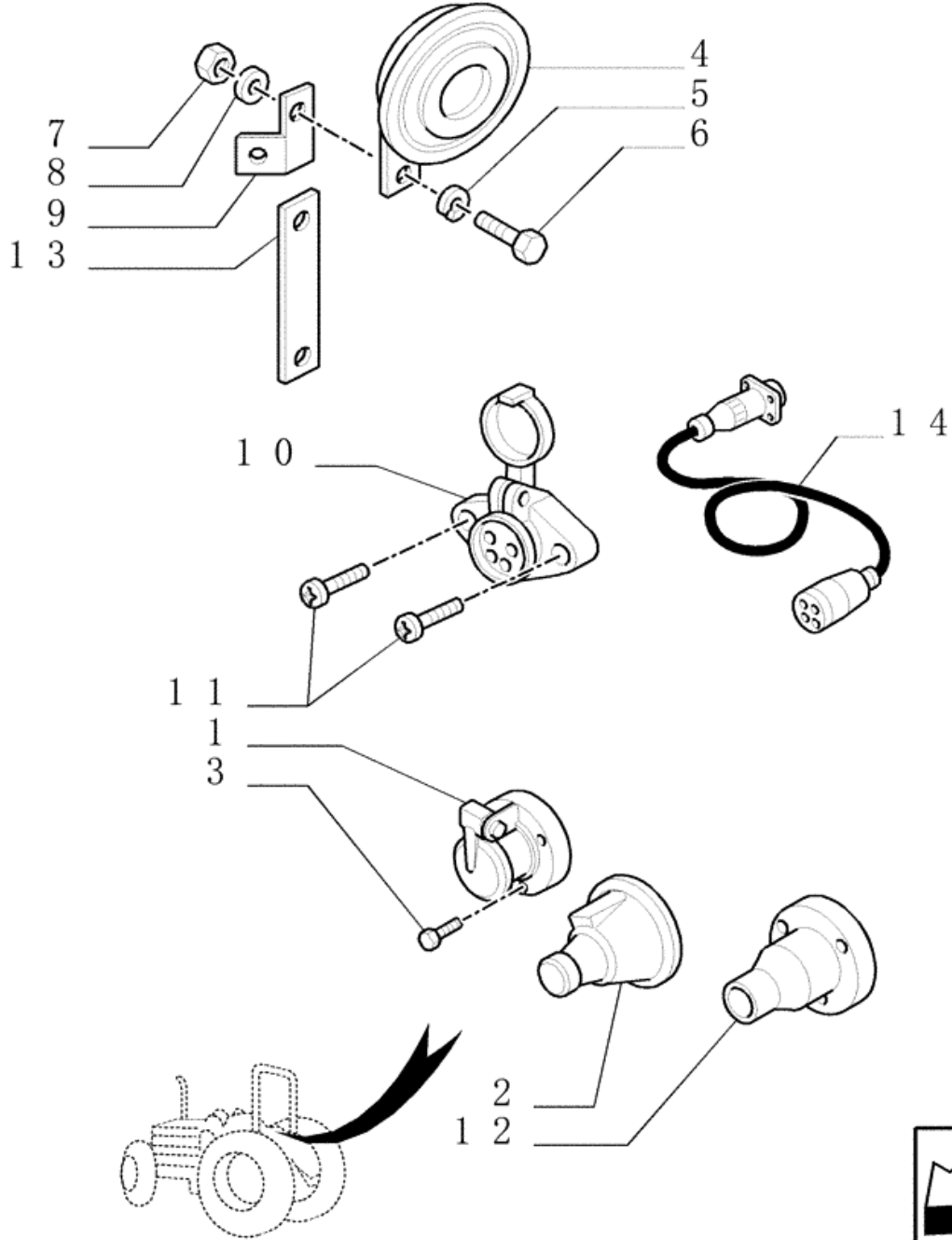












(TS100) - EMISSIONISED TRACTOR (11/97-7/03) > (657[03]) - ELECTRONIC LIFTER L/SHIFTABLE P.T.O.

Diag #	Part #	Name	Description	Qty
1	82008671	COVER	COVER	1
2	E5NND924AA	GASKET	GASKET	1
3	C5NND921A	PLUG	PLUG	1
4	304869S36	BOLT,Hex, 5/8"-18 x 2 1/4", G5	BOLT,Hex, 5/8"-18 x 2 1/4", G5	1
4	304923S36	BOLT,Hex, 5/8"-18 x 3", G5	BOLT,Hex, 5/8"-18 x 3", G5	1
4	304897S36	BOLT,Hex, 5/8"-18 x 2 1/2", G5	BOLT,Hex, 5/8"-18 x 2 1/2", G5	1
4	D5NNB658A	BOLT,Hex, 5/8"-18 x 3", G5	BOLT,Hex, 5/8"-18 x 3", G5	1
5	272344	O-RING,0.487" ID x 0.103" Thk	O-RING,0.487" ID x 0.103" Thk	2
5	87134S95	O-RING	1.812" ID x .103" Thk	1
6	82011395	HYDRAULIC VALVE	HYDRAULIC VALVE	1
7	302226S36	SCREW	Socket Hd, 7/16"-14 x 1"	4

(TS100) - EMISSIONISED TRACTOR (11/97-7/03) > (657[11]) - ELECTRONIC LIFTER L/SHIFTABLE P.T.O.

Diag #	Part #	Name	Description	Qty
1	F2NN944AA	HYD. TUBE,14 mm OD	Lift Pressure	1
2	F2NNT954AA	HYD. TUBE,6 mm OD	Control Valve Sense	1
3	9992069	O-RING,0.614" ID x 0.754" OD x 0.07" Thk	O-RING,0.614" ID x 0.754" OD x 0.07" Thk	1
4	9825770	O-RING,7.93mm ID x 11.11mm OD x 1.58mm Thk	O-RING,7.93mm ID x 11.11mm OD x 1.58mm Thk	2
5	E603552S72	SCREW	Pan Hd, W/Washer, M5 x 25	1
6	F0NN19N639AA	CLAMP	CLAMP	1
7	F0NN19N639CA	CLAMP	CLAMP	1
8	E630171S71	LOCK WASHER,M5	LOCK WASHER,M5	1
9	15896421	NUT,M5, CI 10	NUT,M5, CI 10	1
10	9991976	O-RING,0.739" ID x 0.879" OD x 0.07" Thk	O-RING,0.739" ID x 0.879" OD x 0.07" Thk	2
11	F2NNE899AA	HYD. TUBE,15 mm ID x 26 mm OD x 215 mm L	Return	1

Diag #	Part #	Name	Description	Qty
1	F2NNR947AA	HYDRAULIC VALVE	HYDRAULIC VALVE	1
2	C7NNF947A	HEX SOCKET PLUG,7/8"-14	HEX SOCKET PLUG,7/8"-14	2
3	167269	O-RING,19.17mm ID x 2.46mm Thk	O-RING,19.17mm ID x 2.46mm Thk	1
4	E6NNN955AA	HYDRAULIC VALVE	HYDRAULIC VALVE	1
5	E2NNR923AA	STOP	STOP	1
6	E1NNR846AA	SPRING	SPRING	1
7	382299S	BALL,9/16"	BALL,9/16"	1
8	165202	O-RING,8.9mm ID x 10.73mm OD x 1.82mm Thk	O-RING,8.9mm ID x 10.73mm OD x 1.82mm Thk	1
9	E9NNR948AA	PLUG	Connector	1
10	390811S36	HYD CONNECTOR	HYD CONNECTOR	1
11	167266	O-RING,23.469mm ID x 26.415mm OD x 2.946mm Thk	O-RING,23.469mm ID x 26.415mm OD x 2.946mm Thk	1
12	128825	O-RING,16.35mm ID x 18.56mm OD x 2.21mm Thk	O-RING,16.35mm ID x 18.56mm OD x 2.21mm Thk	1
13	C7NNF917A	HEX SOCKET PLUG,3/4"-16	HEX SOCKET PLUG,3/4"-16	1

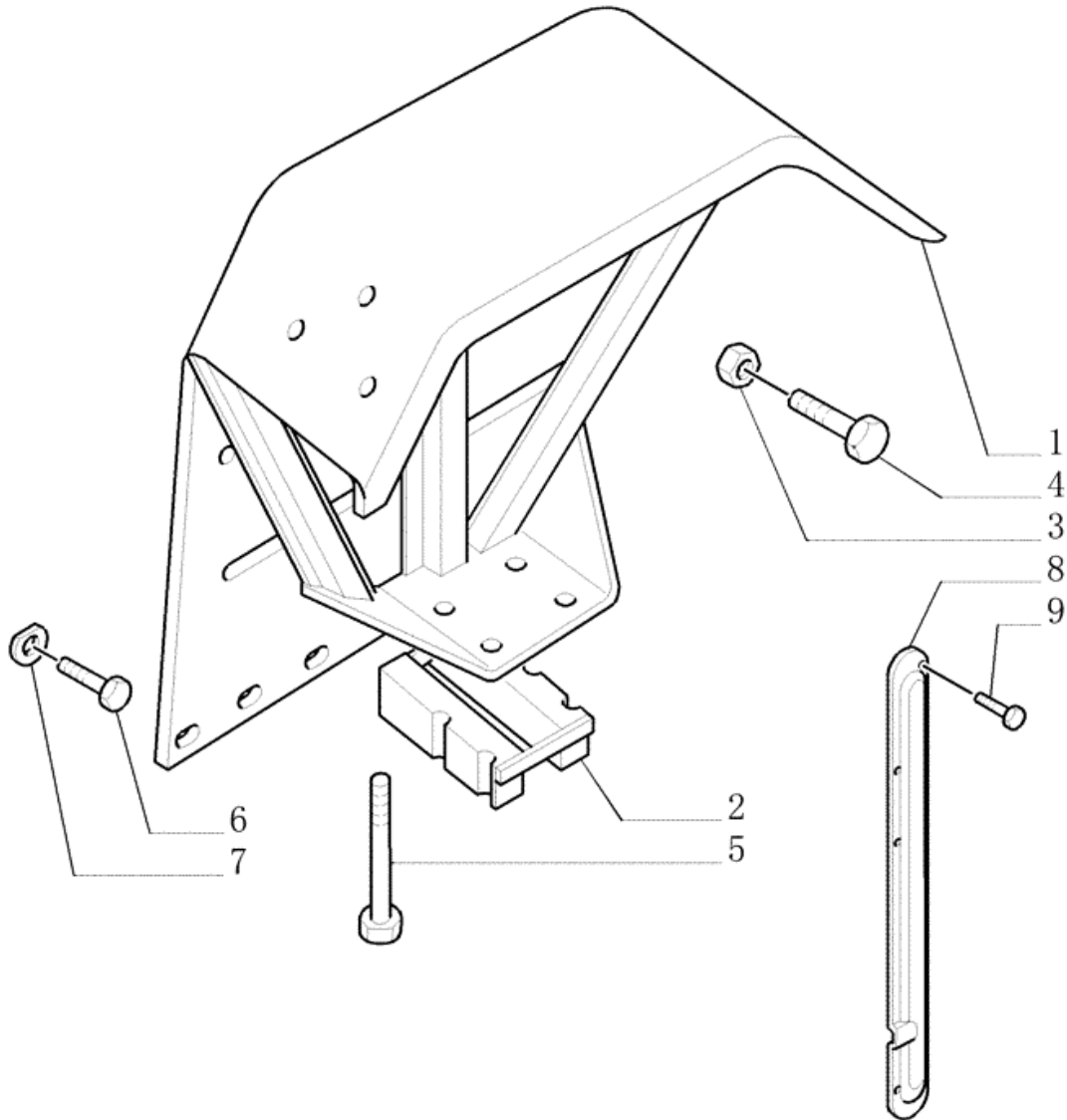
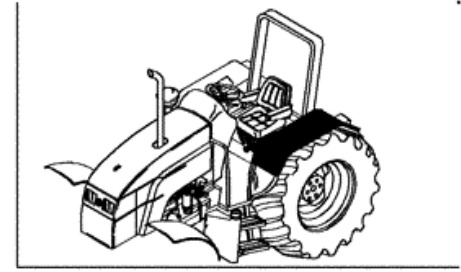
(TS100) - EMISSIONISED TRACTOR (11/97-7/03) > (656[09]) - ELECTRONIC LIFTER W/SHIFTABLE P.T.O.

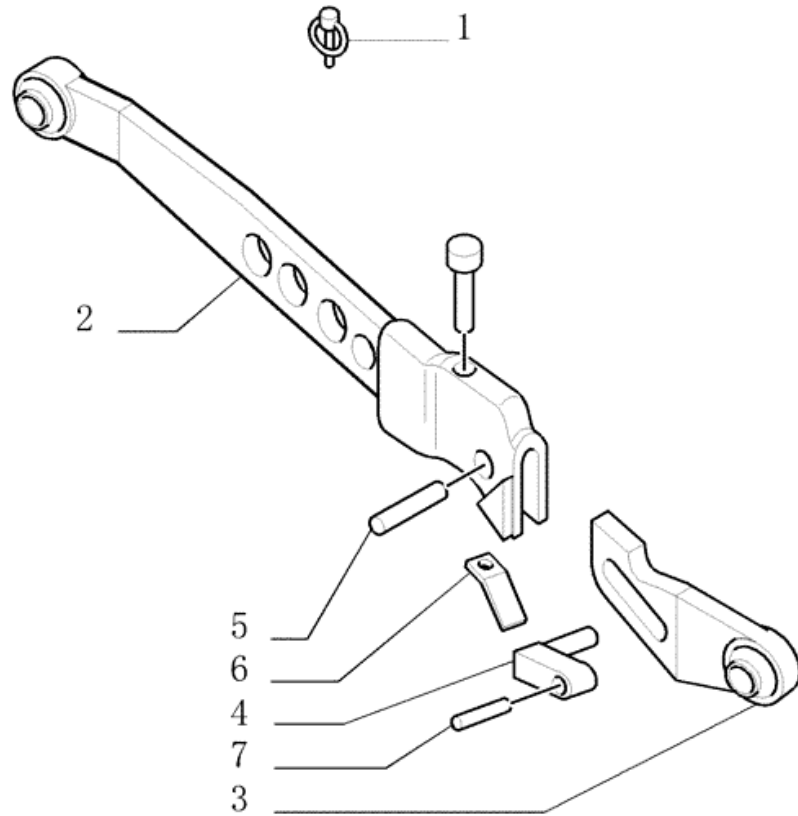
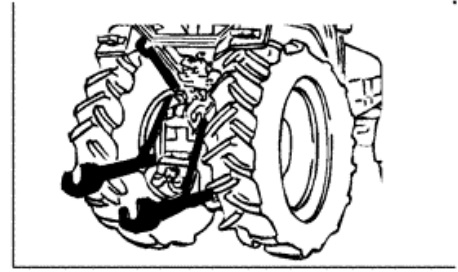
Diag #	Part #	Name	Description	Qty
1	82001877	RIGID TUBE,8 mm OD	EDC To Pump	1
2	82012683	RIGID TUBE	EDC To Shuttle	1
3	E9NN7D273CB	HYD CONNECTOR	HYD CONNECTOR	1
5	9825770	O-RING,7.93mm ID x 11.11mm OD x 1.58mm Thk	O-RING,7.93mm ID x 11.11mm OD x 1.58mm Thk	1
6	9840526	HYD CONNECTOR	.25 A	1
7	165202	O-RING,8.9mm ID x 10.73mm OD x 1.82mm Thk	O-RING,8.9mm ID x 10.73mm OD x 1.82mm Thk	2
4	9993141	O-RING,0.364" ID x 0.504" OD x 0.07" Thk	O-RING,0.364" ID x 0.504" OD x 0.07" Thk	1

(TS100) - EMISSIONISED TRACTOR (11/97-7/03) > (656[01]) - ELECTRONIC LIFTER W/SHIFTABLE P.T.O.

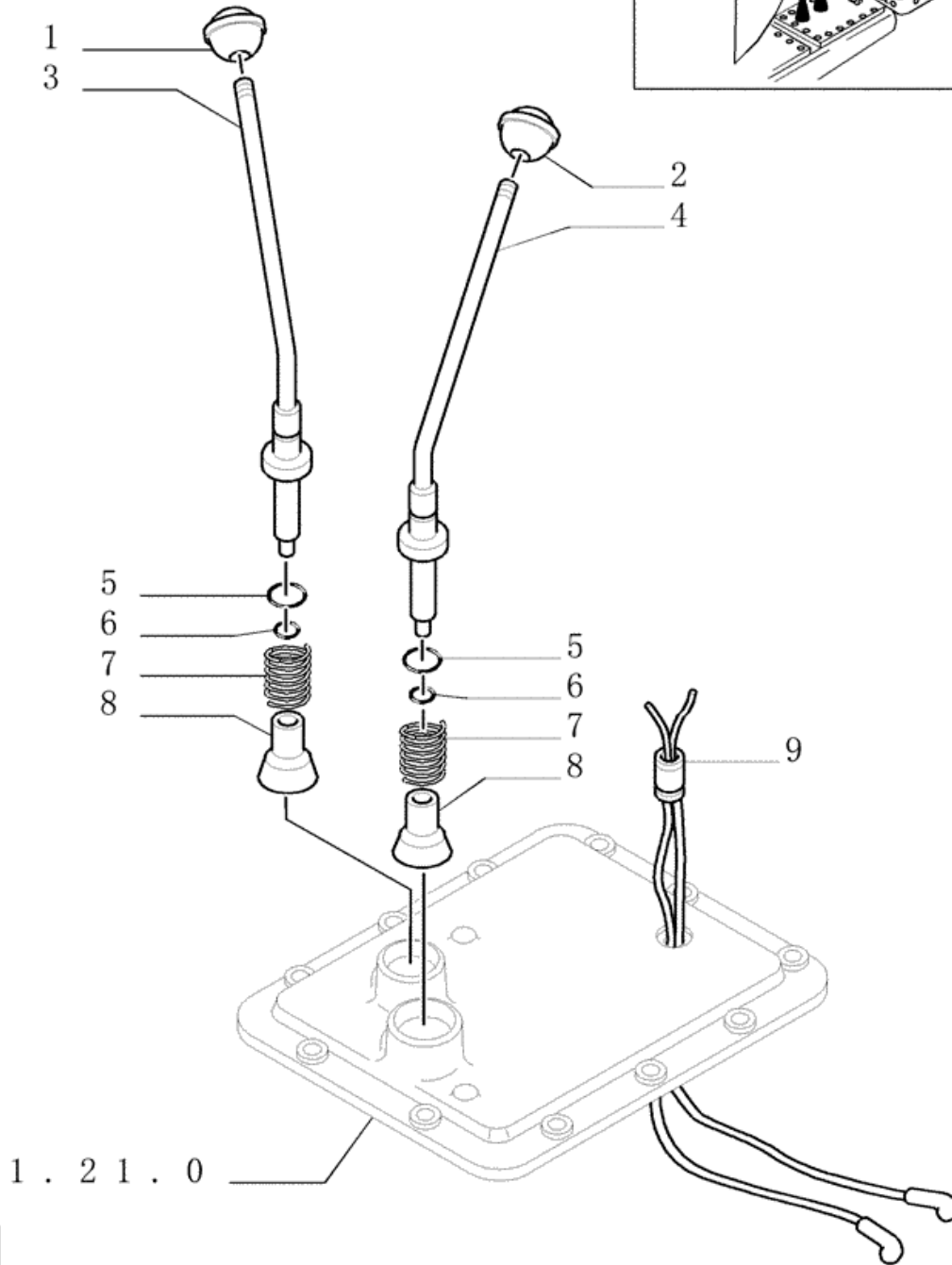
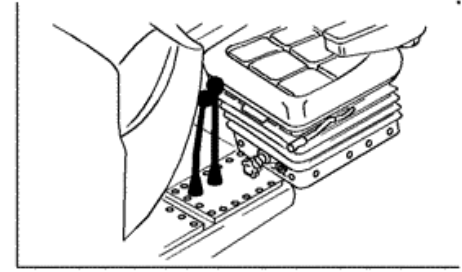
Diag #	Part #	Name	Description	Qty
1	82008671	COVER	COVER	1
2	E5NND924AA	GASKET	Hydraulic Lift Draft Control Spring Retaining Hole Plug	1
3	C5NND921A	PLUG	Hydraulic Lift Draft Control Spring Retaining Hole	1
4	304869S36	BOLT,Hex, 5/8"-18 x 2 1/4", G5	BOLT,Hex, 5/8"-18 x 2 1/4", G5	1
4	304923S36	BOLT,Hex, 5/8"-18 x 3", G5	BOLT,Hex, 5/8"-18 x 3", G5	1
4	304897S36	BOLT,Hex, 5/8"-18 x 2 1/2", G5	BOLT,Hex, 5/8"-18 x 2 1/2", G5	1
4	D5NNB658A	BOLT,Hex, 5/8"-18 x 3", G5	BOLT,Hex, 5/8"-18 x 3", G5	1
5	273211	O-RING,90 Duro, 1.125" ID x 0.103" Thk	O-RING,90 Duro, 1.125" ID x 0.103" Thk	1
5	272344	O-RING,0.487" ID x 0.103" Thk	O-RING,0.487" ID x 0.103" Thk	4
5	229317	O-RING,0.549" ID x 0.755" OD x 0.103"	O-RING,0.549" ID x 0.755" OD x 0.103"	1
6	F2NNR947AA	HYDRAULIC VALVE	HYDRAULIC VALVE	1
7	9706729	BOLT,Hex, 7/16" - 14 x 1", Gr 5, Full Thd	BOLT,Hex, 7/16" - 14 x 1", Gr 5, Full Thd	4

STRADDLE EQUIP.

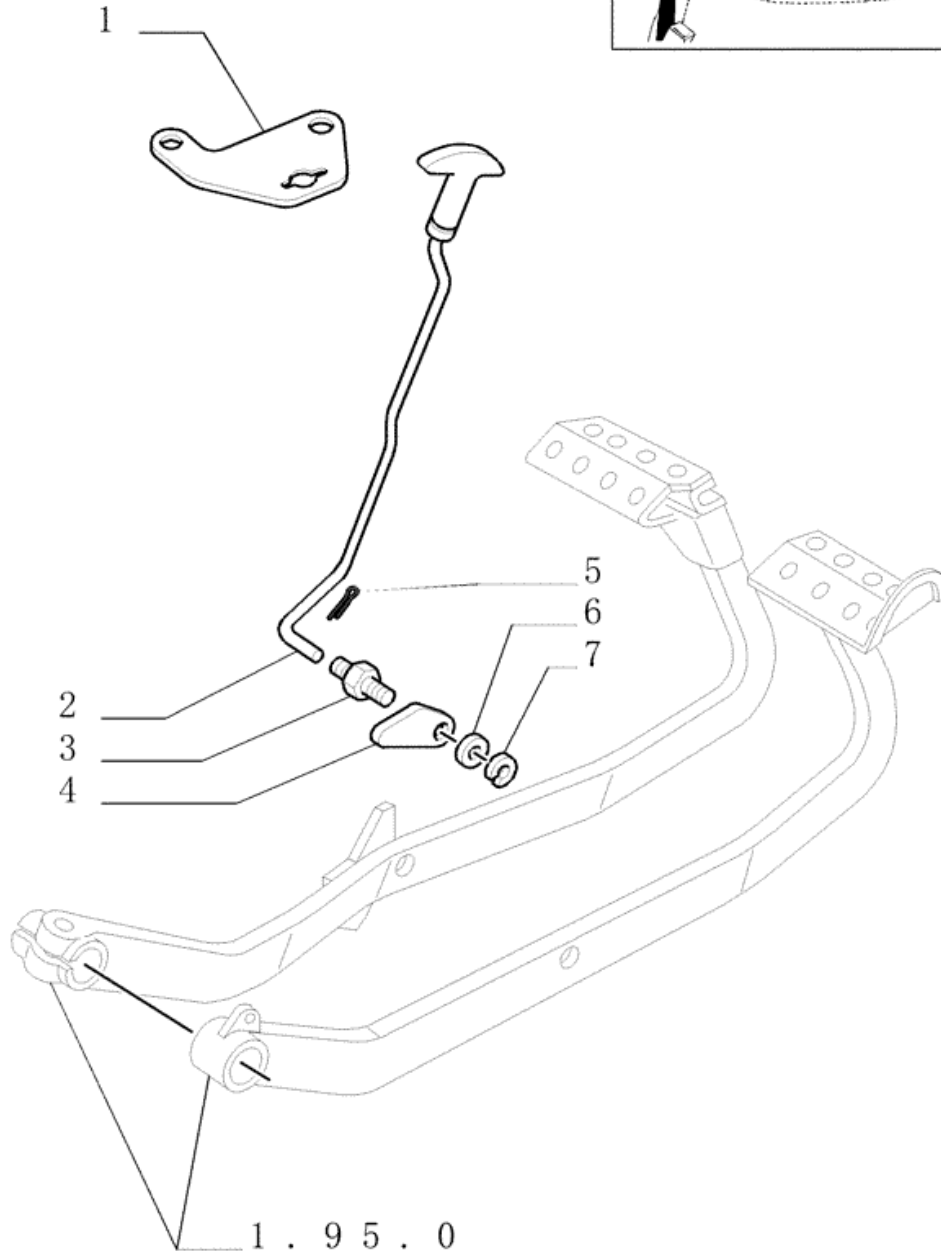
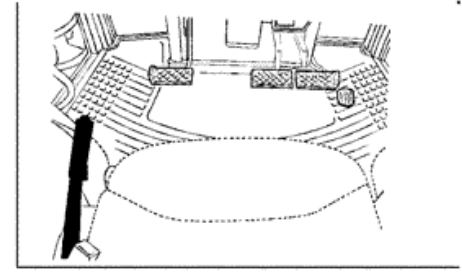


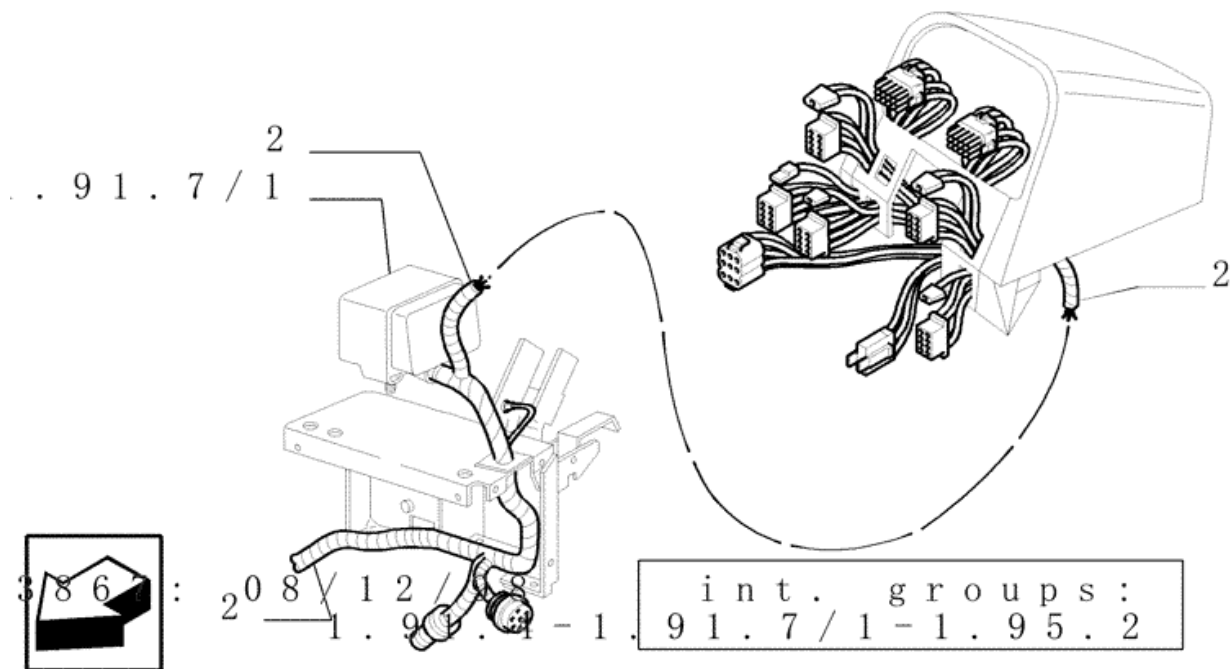


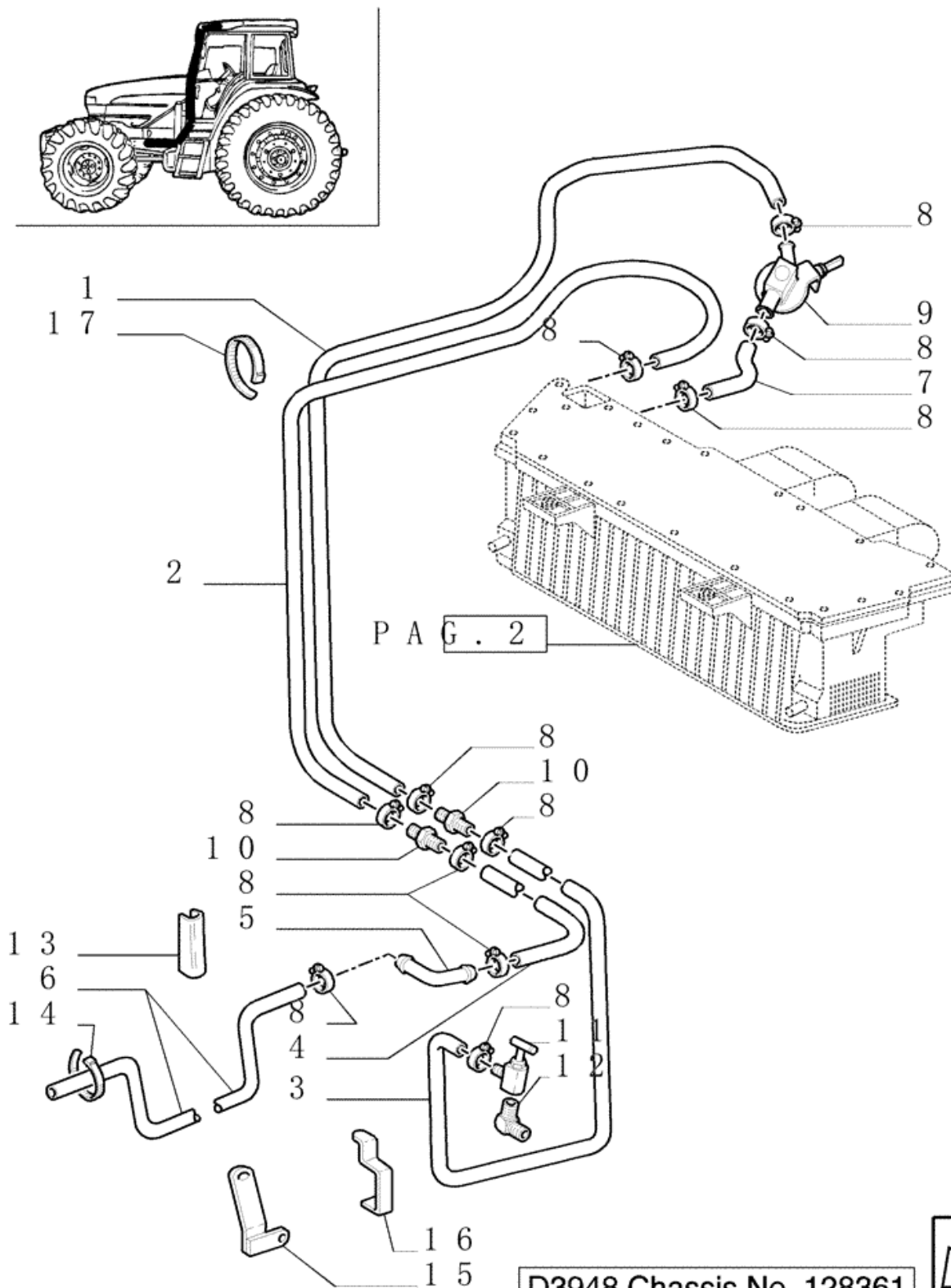
STRADDLE EQUIP .



STRADDLE EQUIP.

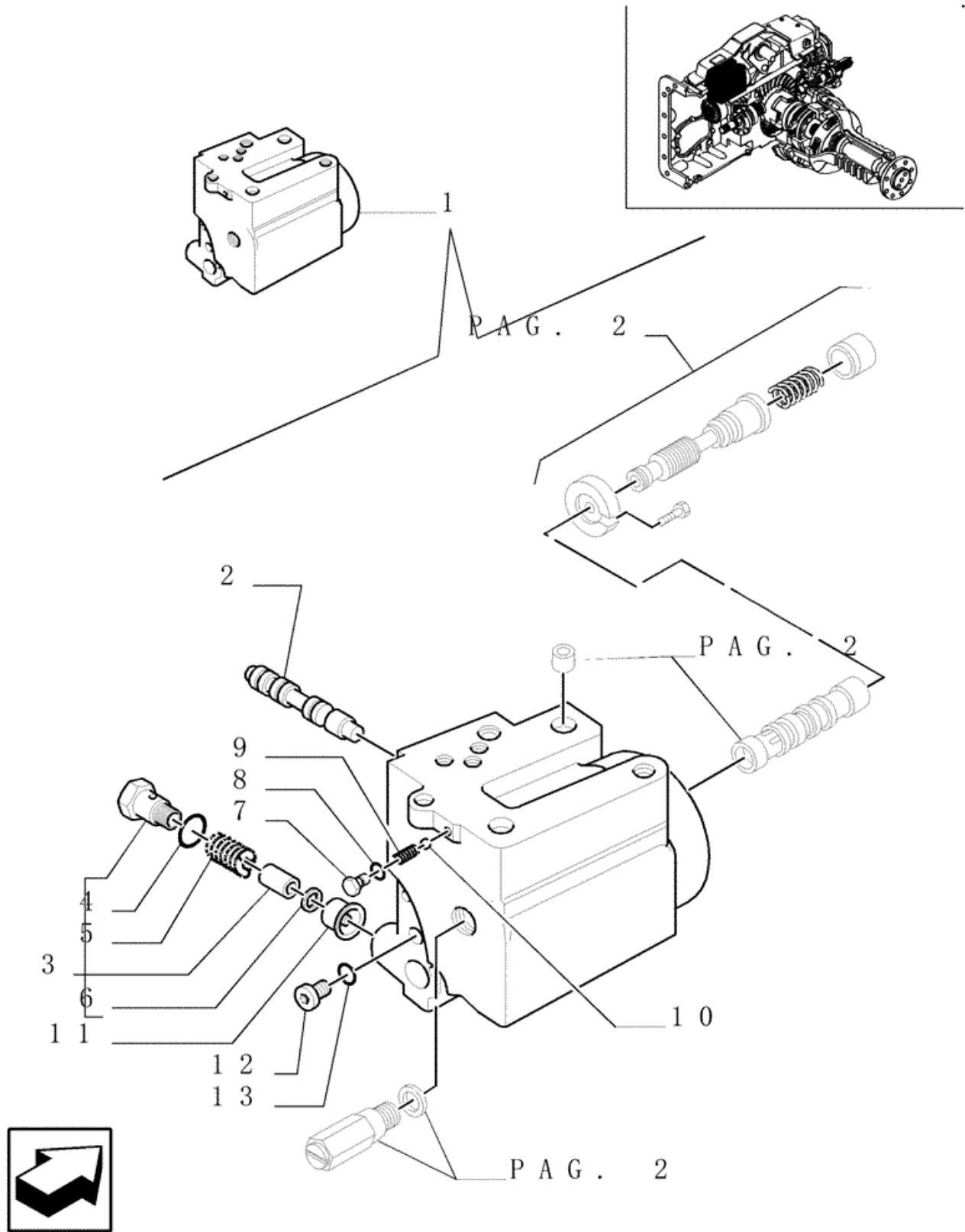




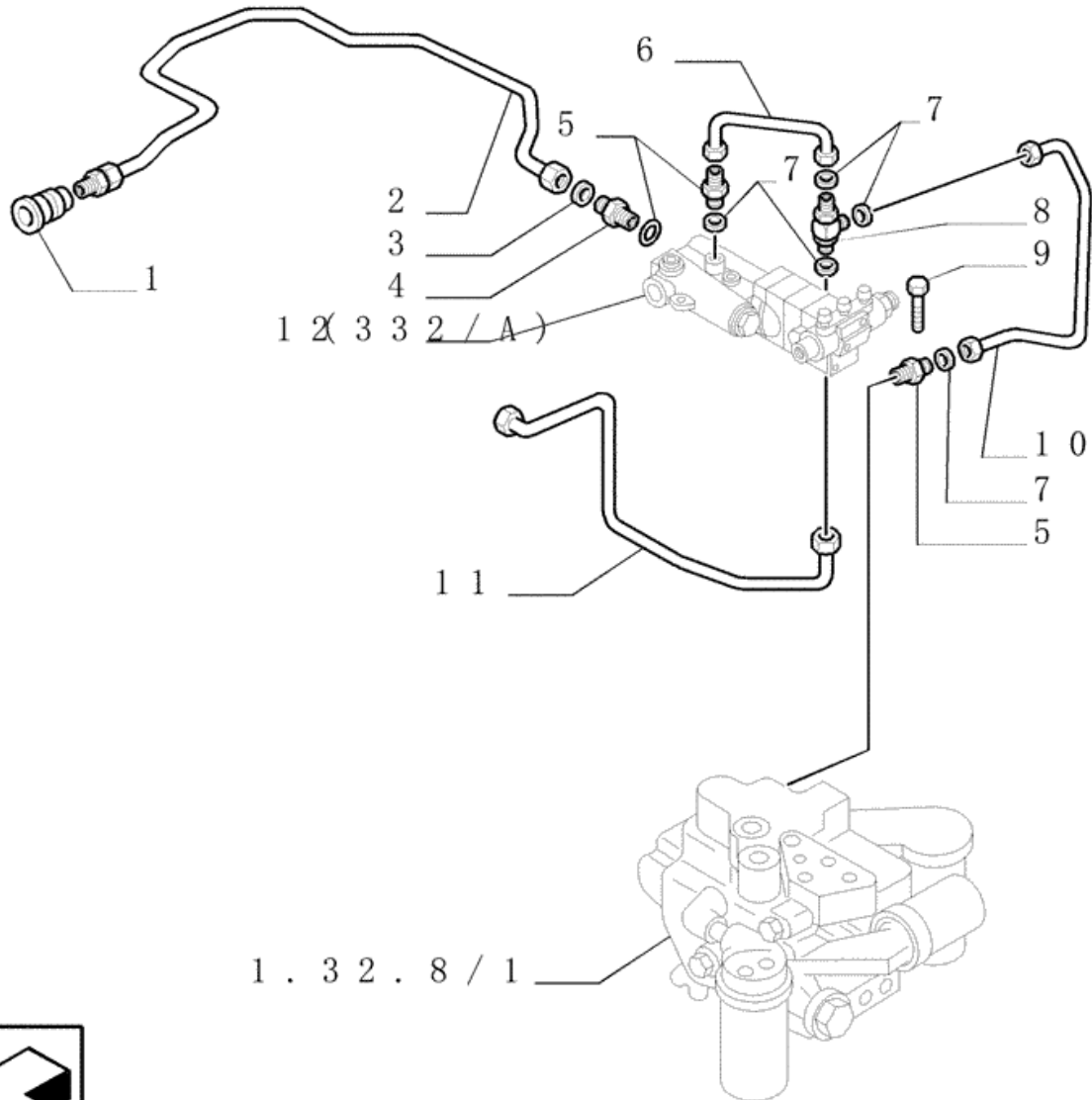


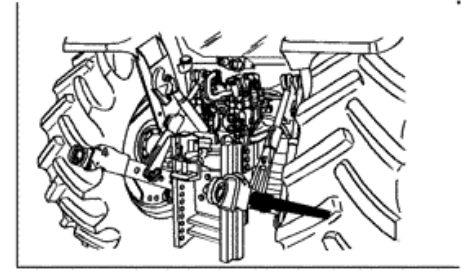
D3948 Chassis No. 128361





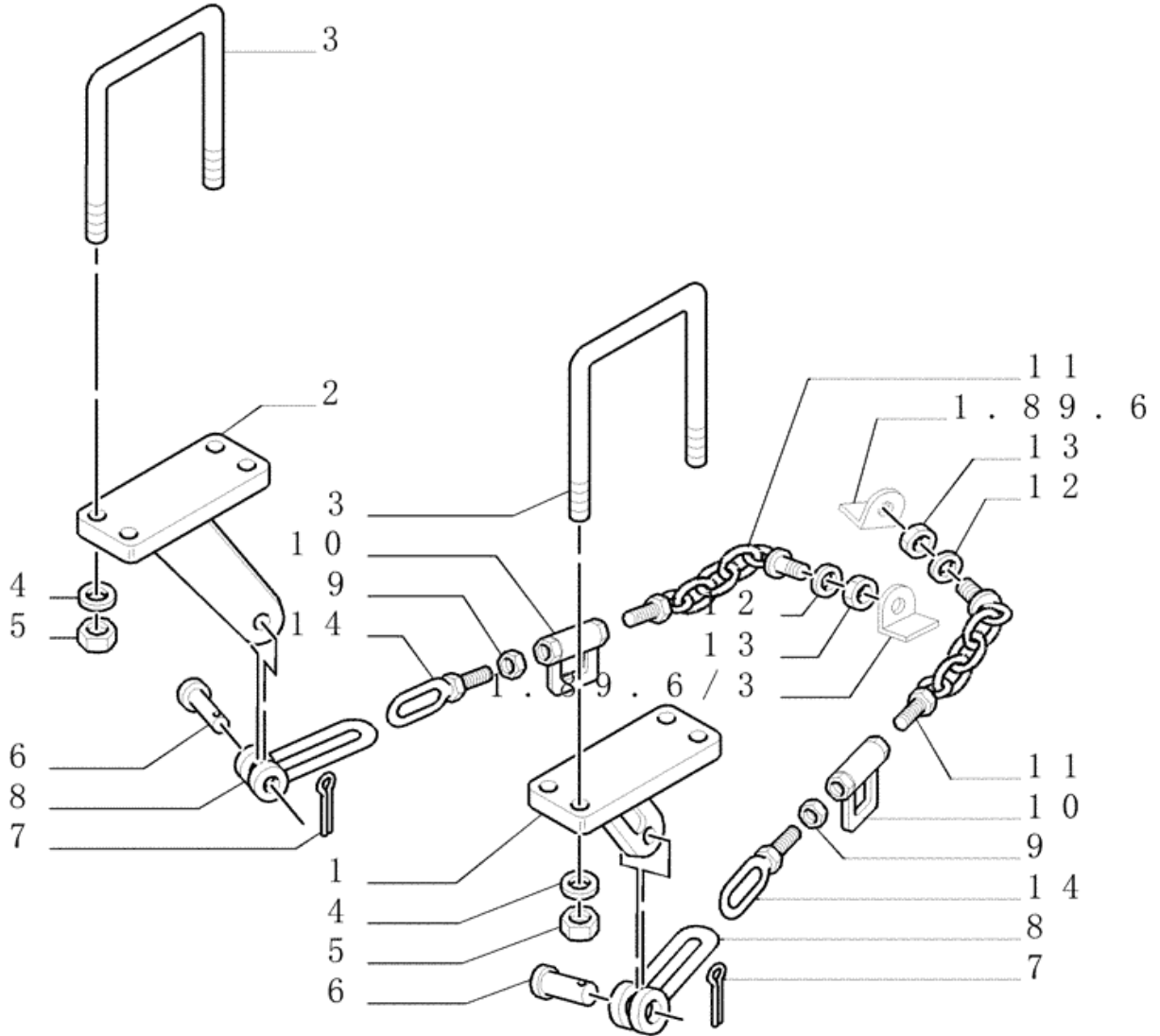
W / C C L S P U M P



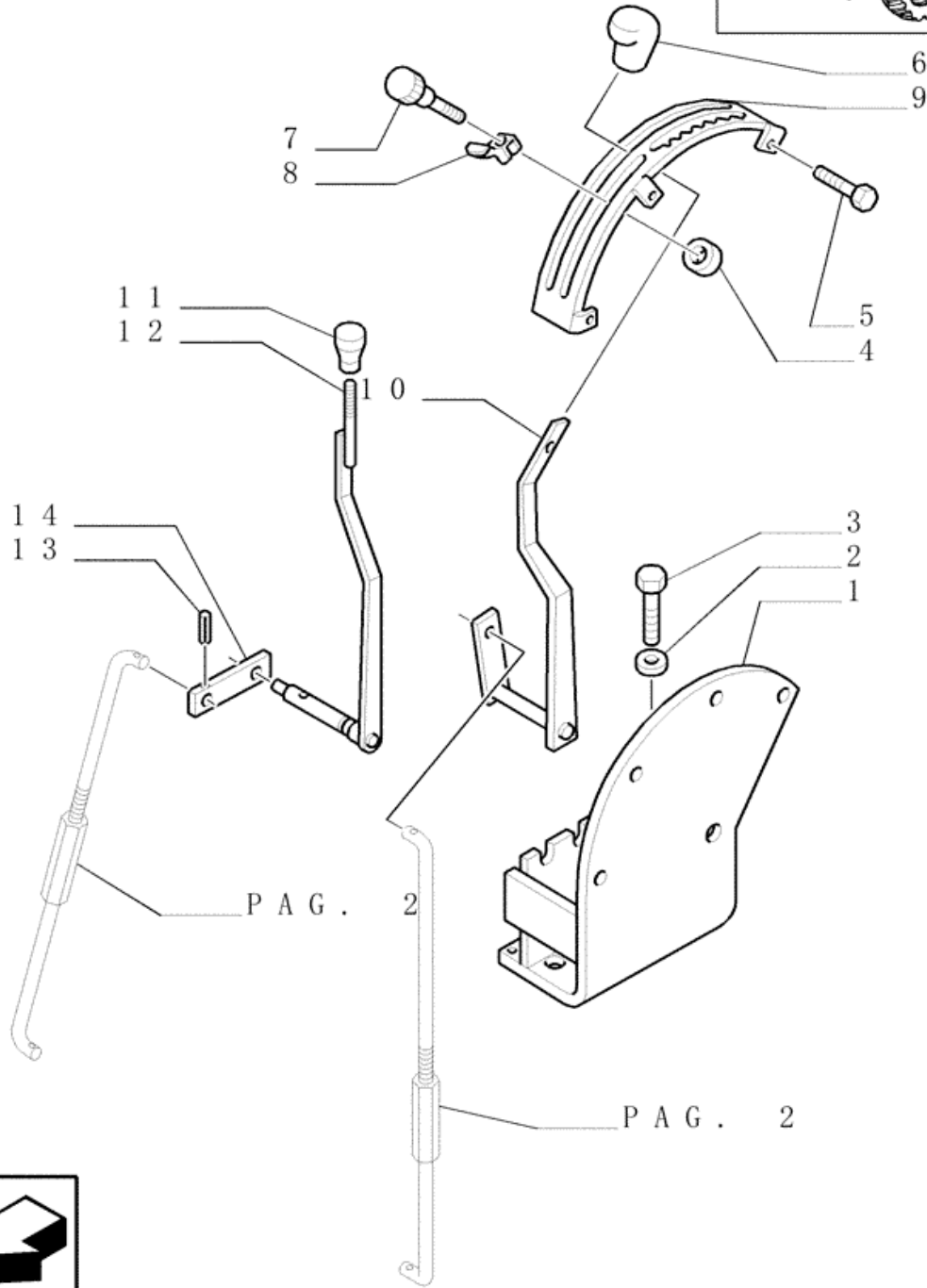


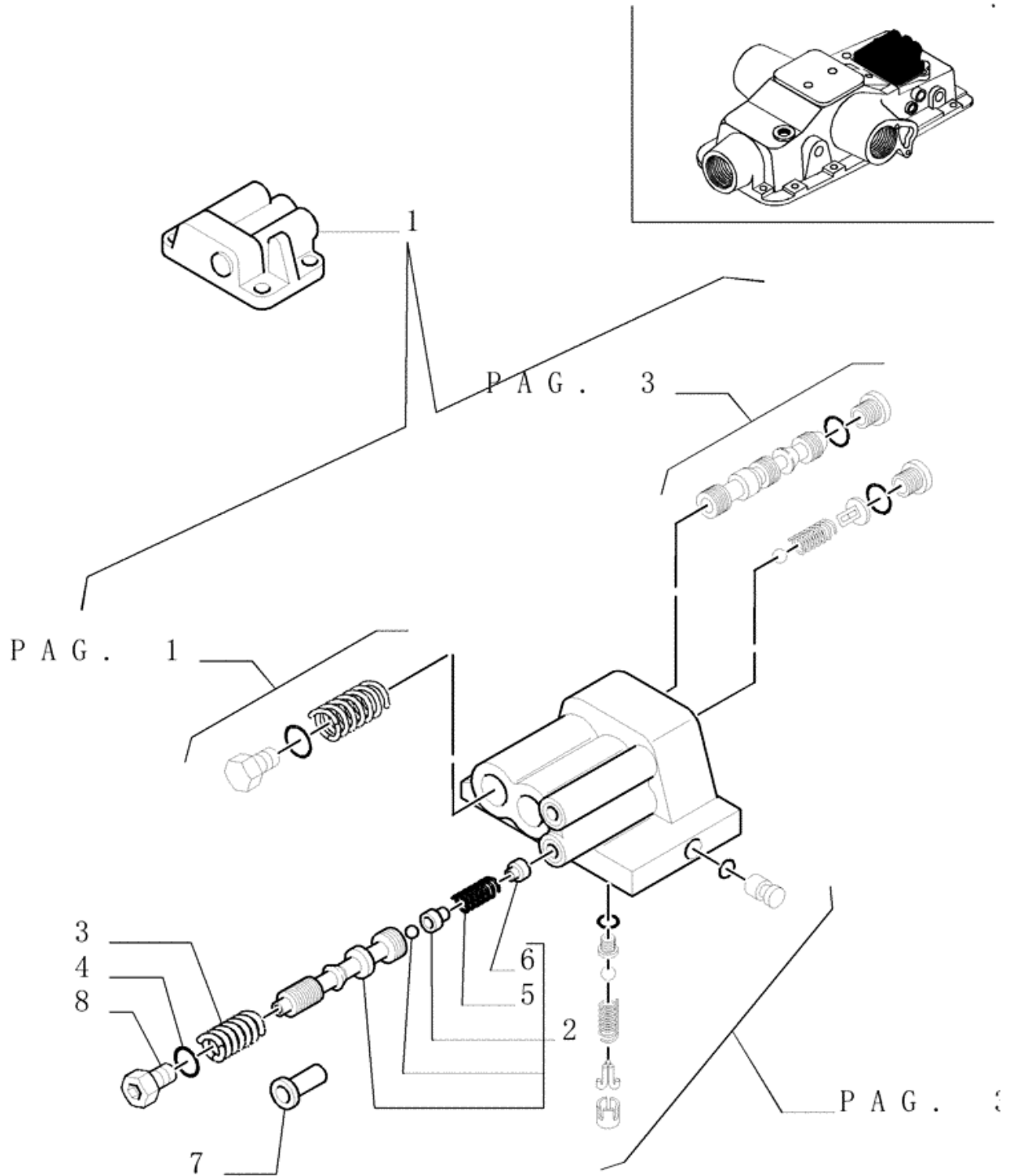
STRADDLE EQUIP.

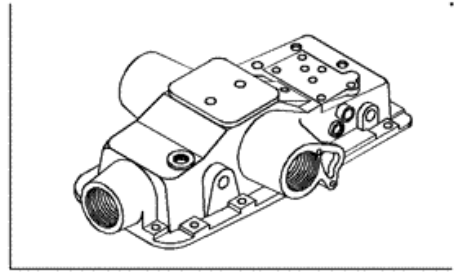
SEE EQUIP. 784, 842, 842/1, 842/2



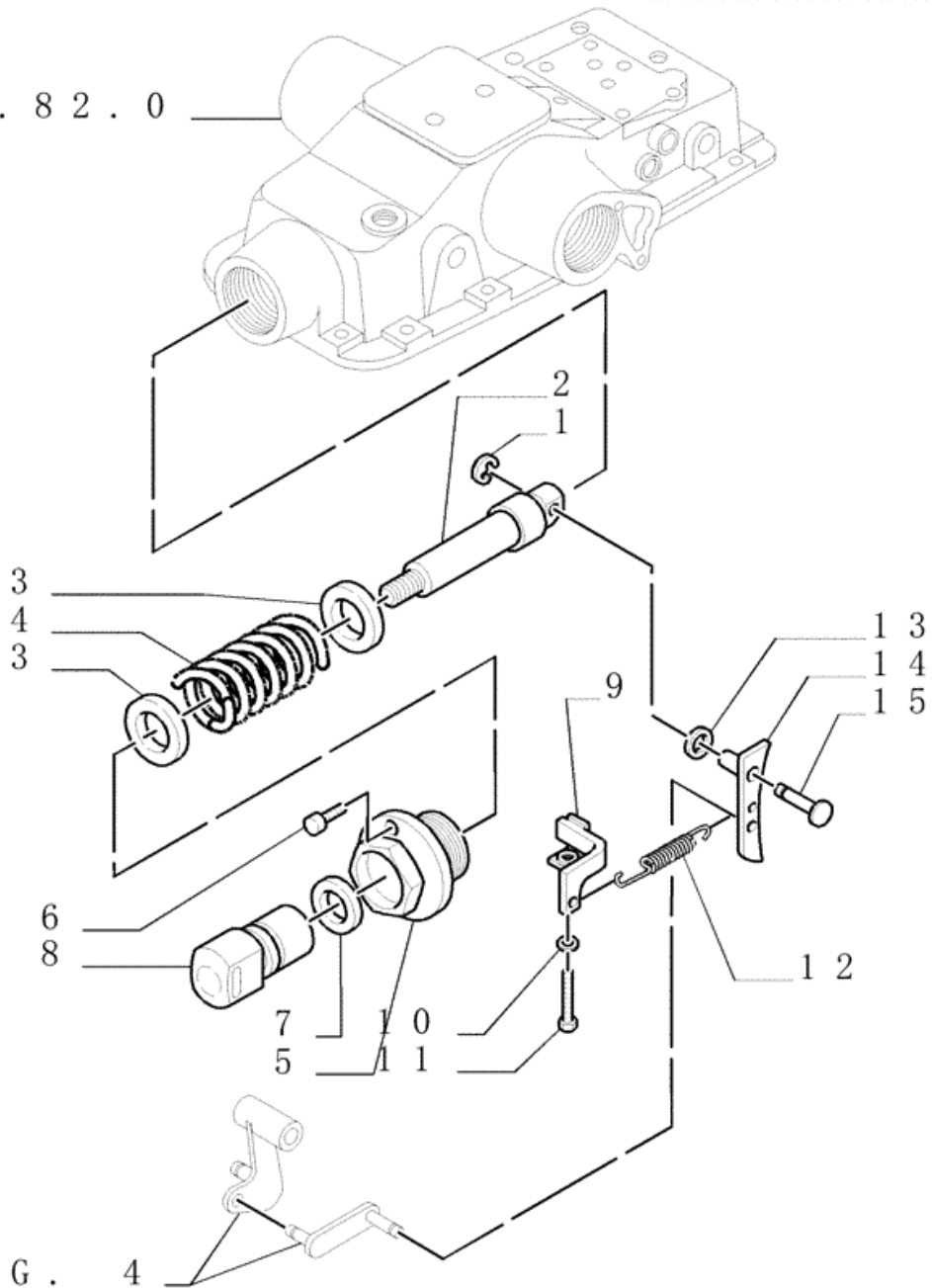
STRADDLE EQUIP.
SEE EQUIP. 411







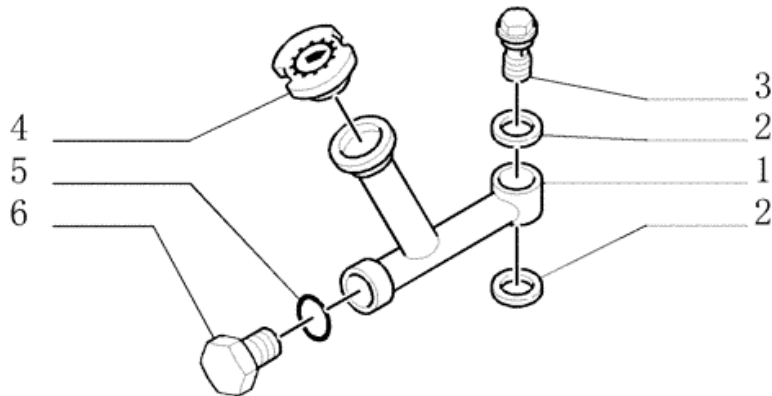
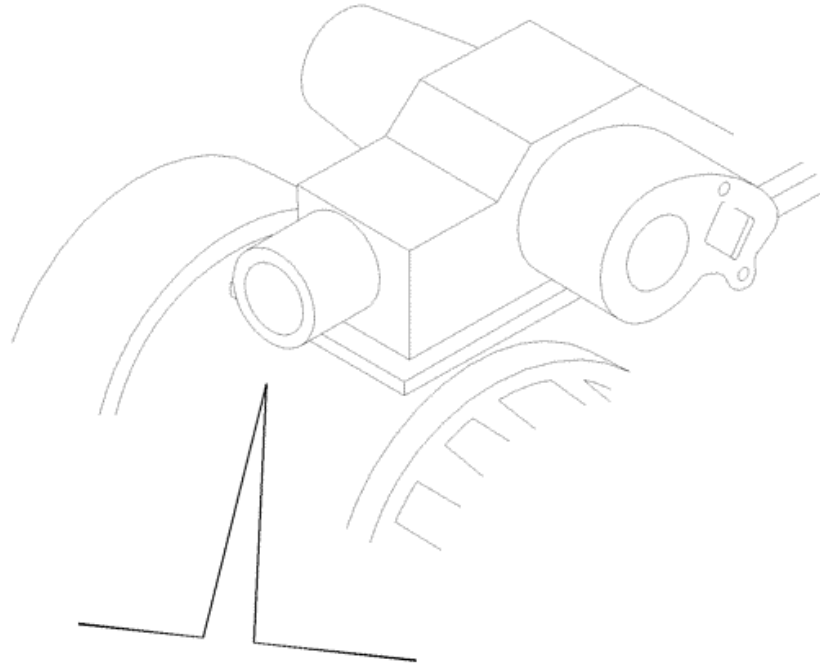
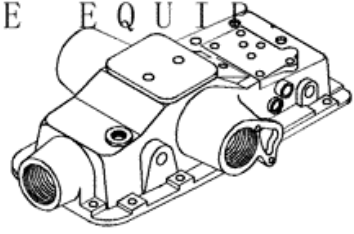
1 . 8 2 . 0

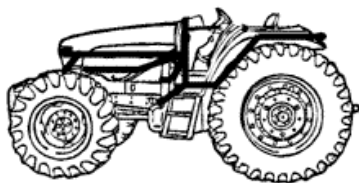


A G .

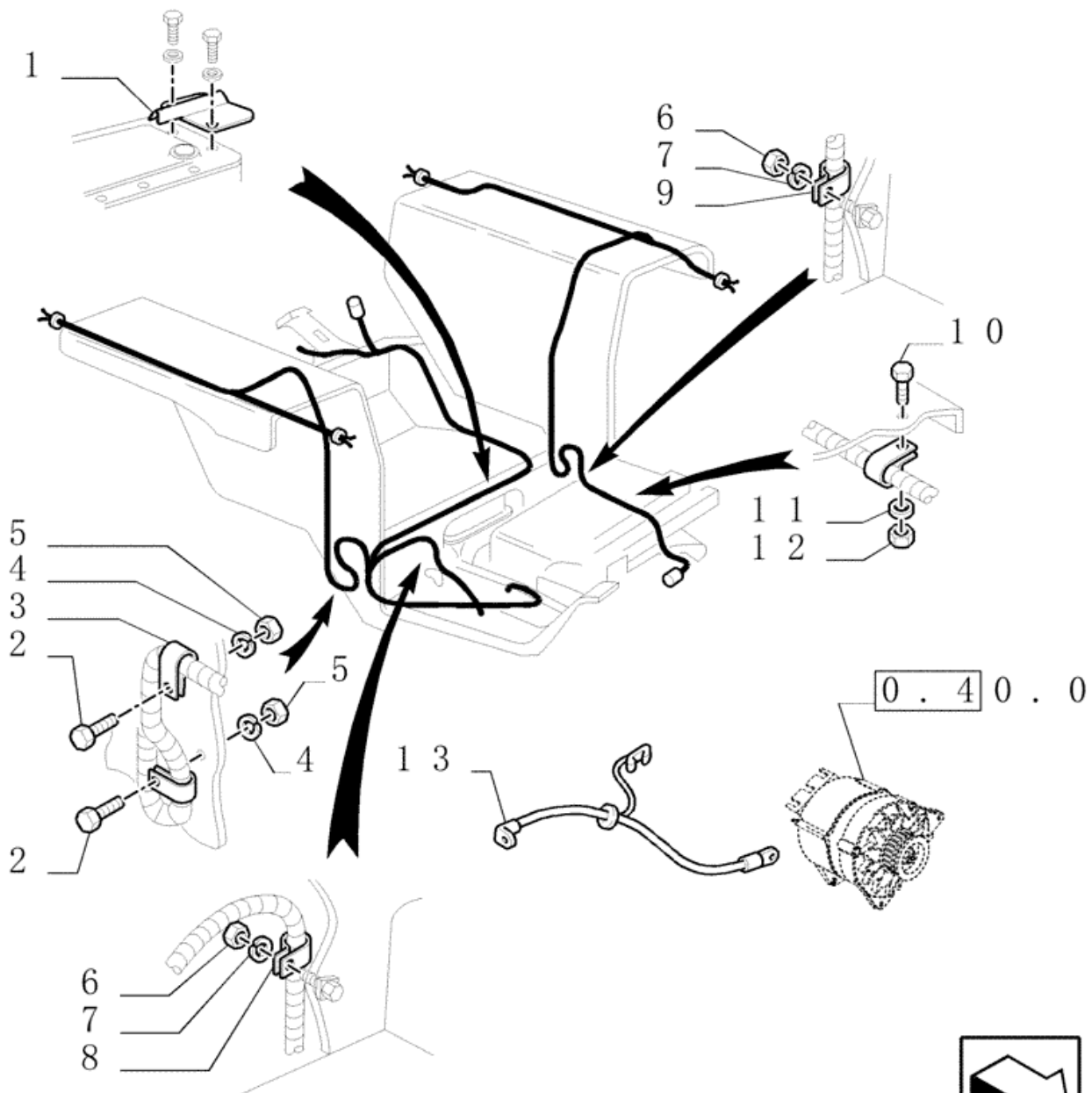
4

W / 8 x 2 TRANS., STRADDLE EQUIP
SEE EQUIP. 411, 423 / 2



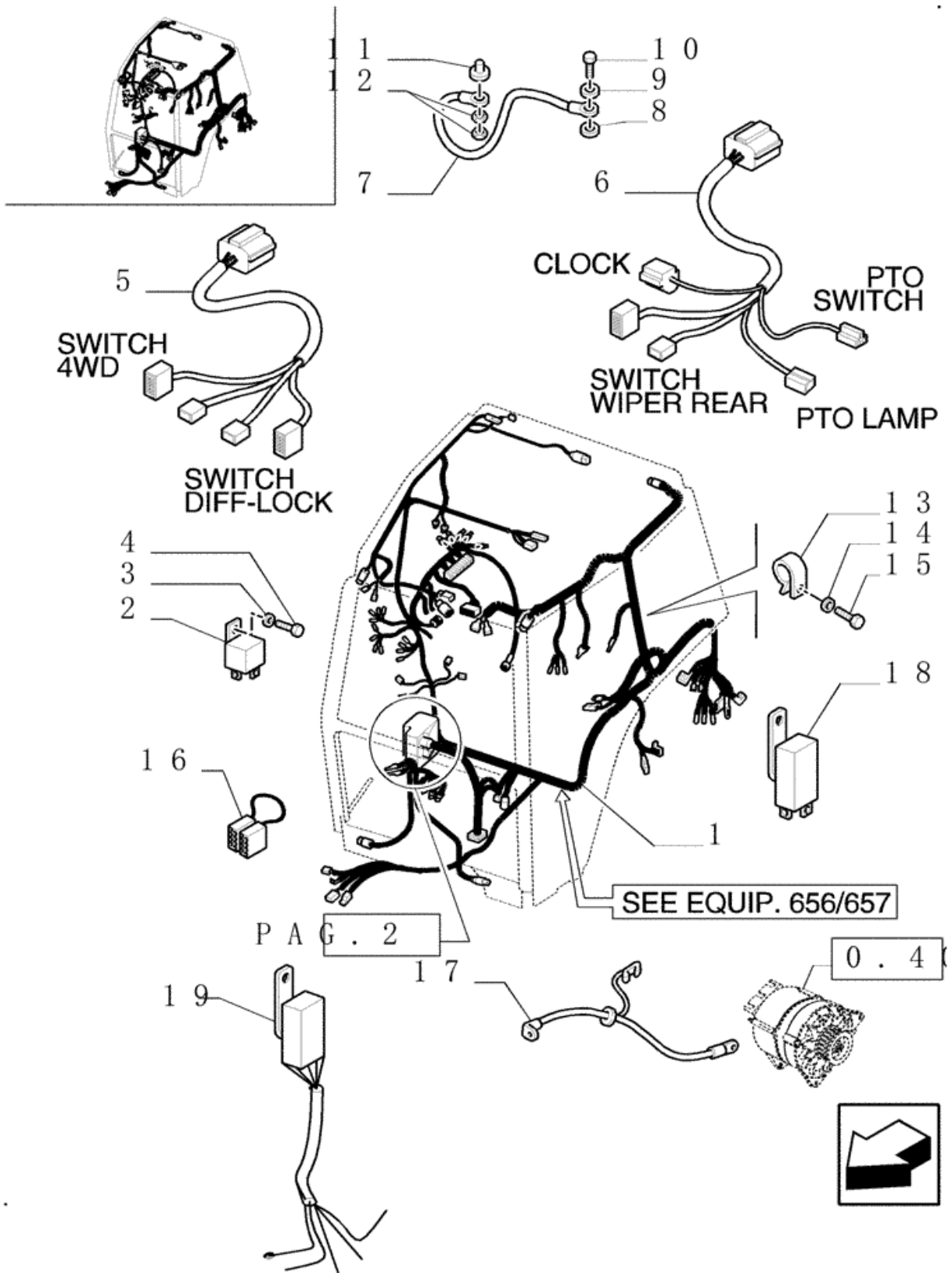


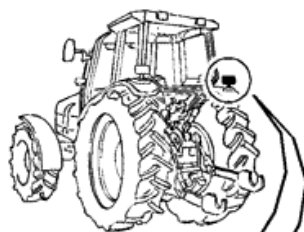
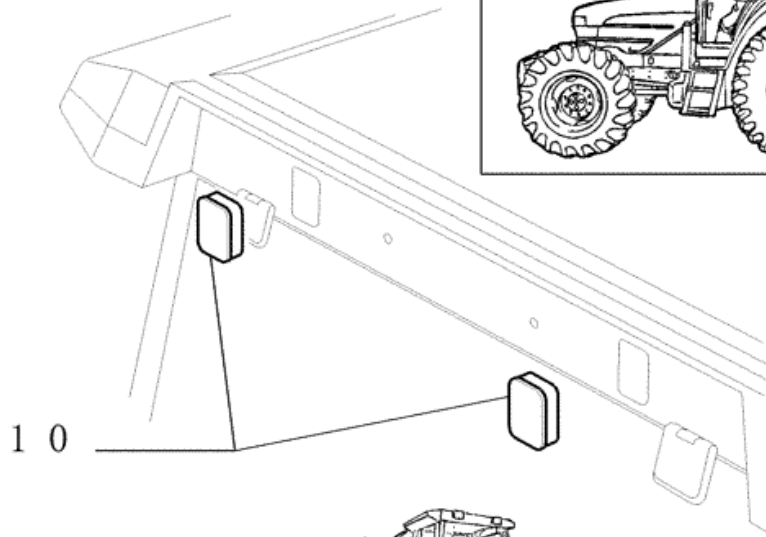
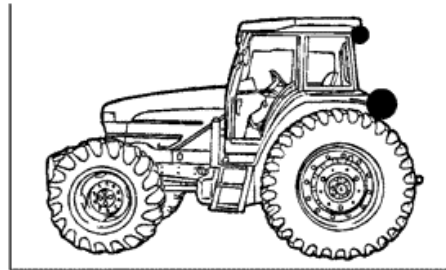
STRADDLE EQUIP



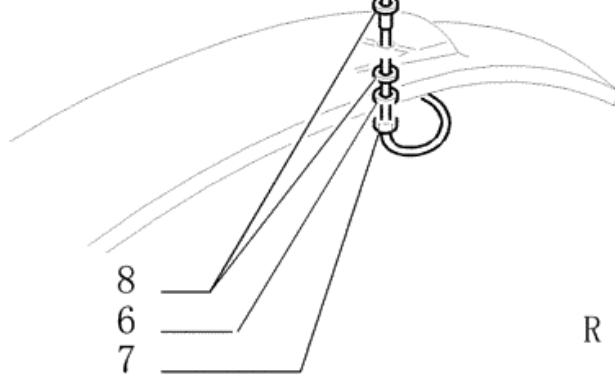
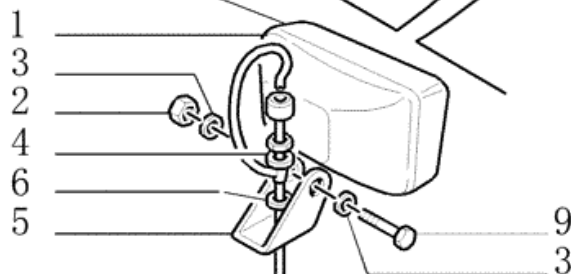
A: SERVICE ONLY





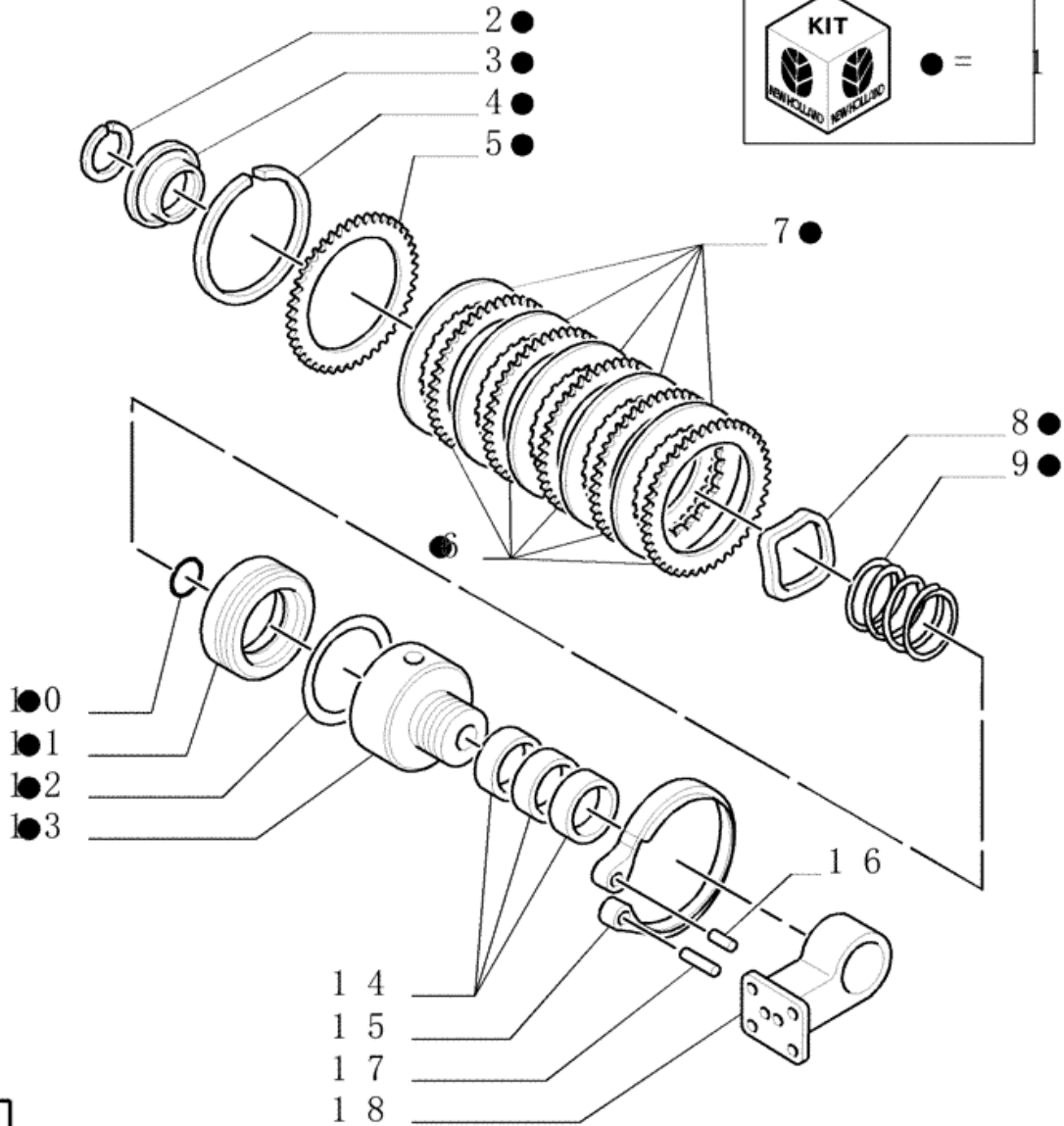
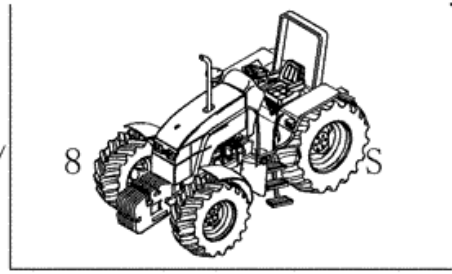


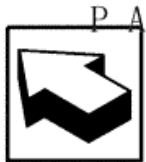
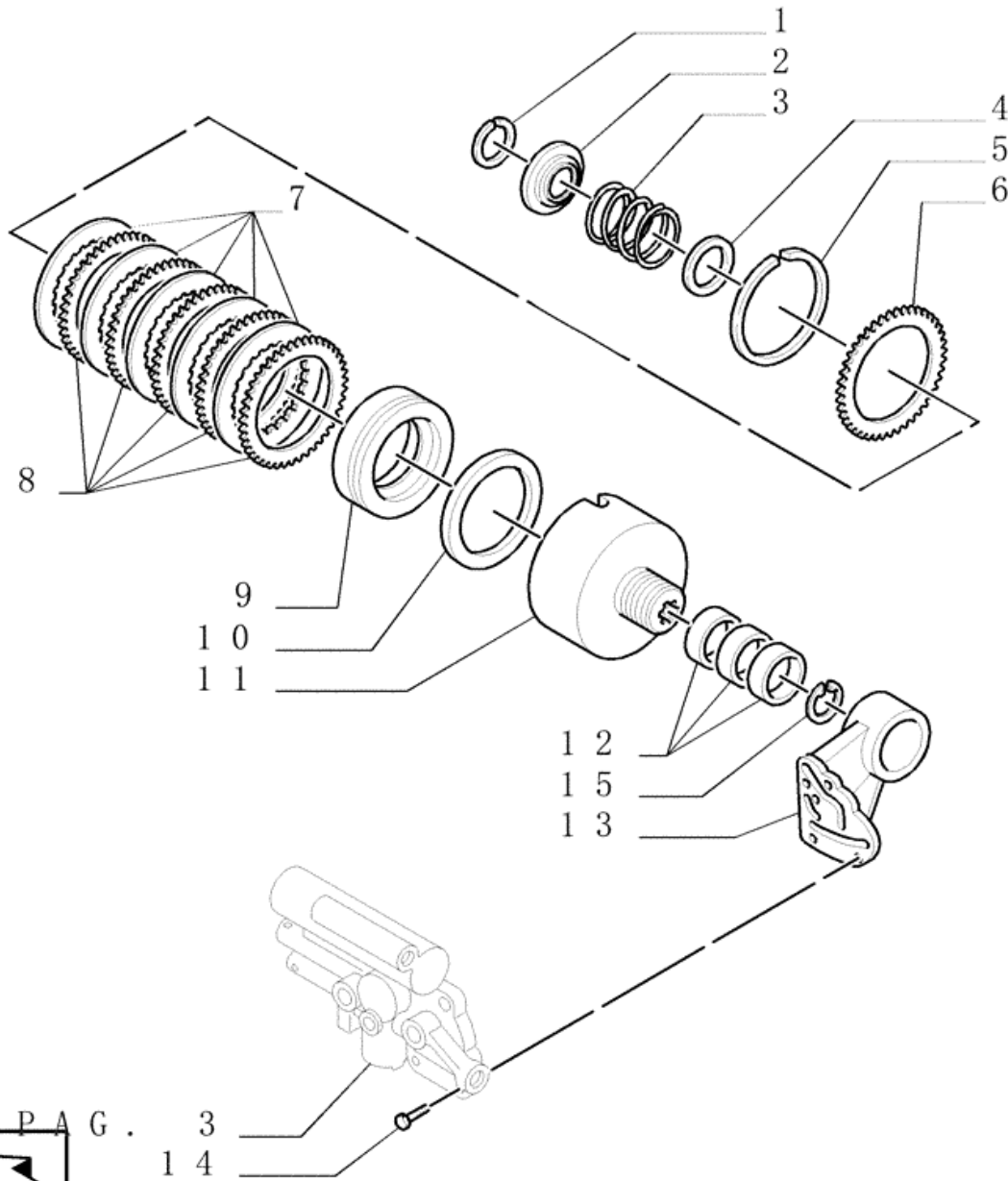
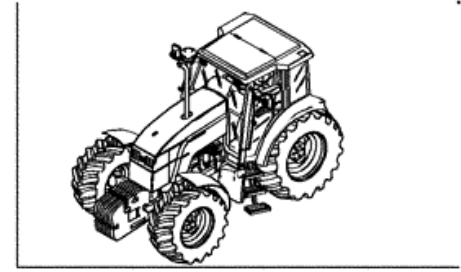
SEE EQUIP. — 1 . 9 1 . 3 / A



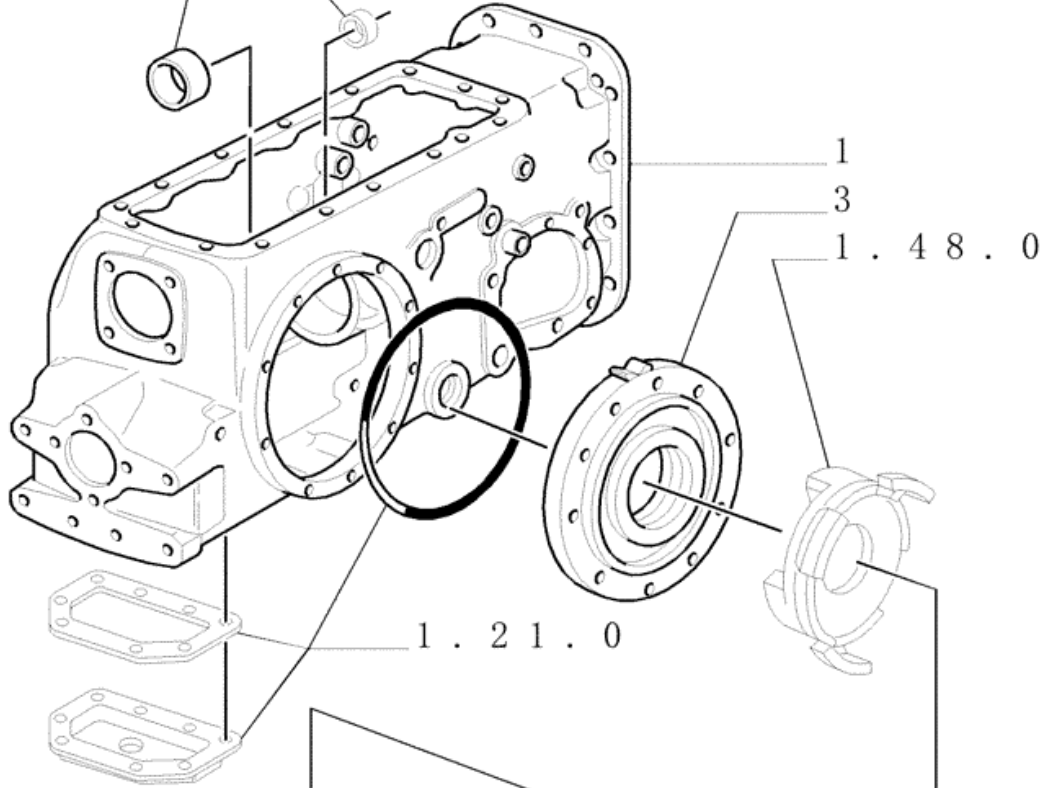
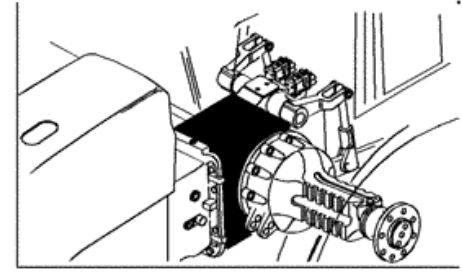
R H S I D E

STRADDLE EQUIP., W /



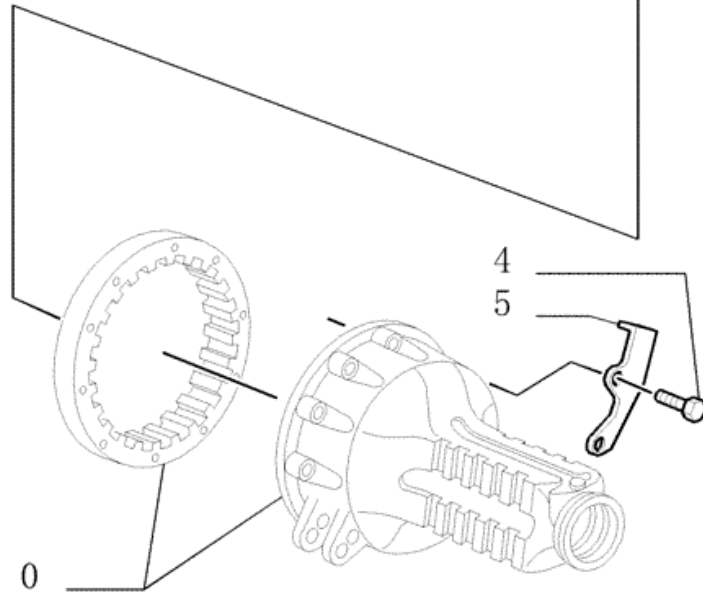


1 . 2 1 . 0
2



1 . 2 1 . 0

1
3
1 . 4 8 . 0



4
5

1 . 4 8 . 0



(TS100) - EMISSIONISED TRACTOR (11/97-7/03) > (1.80.1) - PTO-SHIELD

Diag #	Part #	Name	Description	Qty
1	82005822	GUARD	GUARD	1
2	E9NNC708AA	SUPPORT	LH	1
3	81864826	SUPPORT	RH	1
4	E27N995216	PIN	PIN	2
5	E9NNC796AA	SHIELD	SHIELD	1
6	E5NND707AA	SPRING	SPRING	1
7	E9NND704AB	BRACKET	BRACKET	1
8	N646389S36	PIN,M6 x 24, Coiled	PIN,M6 x 24, Coiled	1
9	E5NND713AA	PIN	PIN	1
10	280119	BOLT,Hex, 5/8" - 11 x 3 1/2", Gr 5	BOLT,Hex, 5/8" - 11 x 3 1/2", Gr 5	4

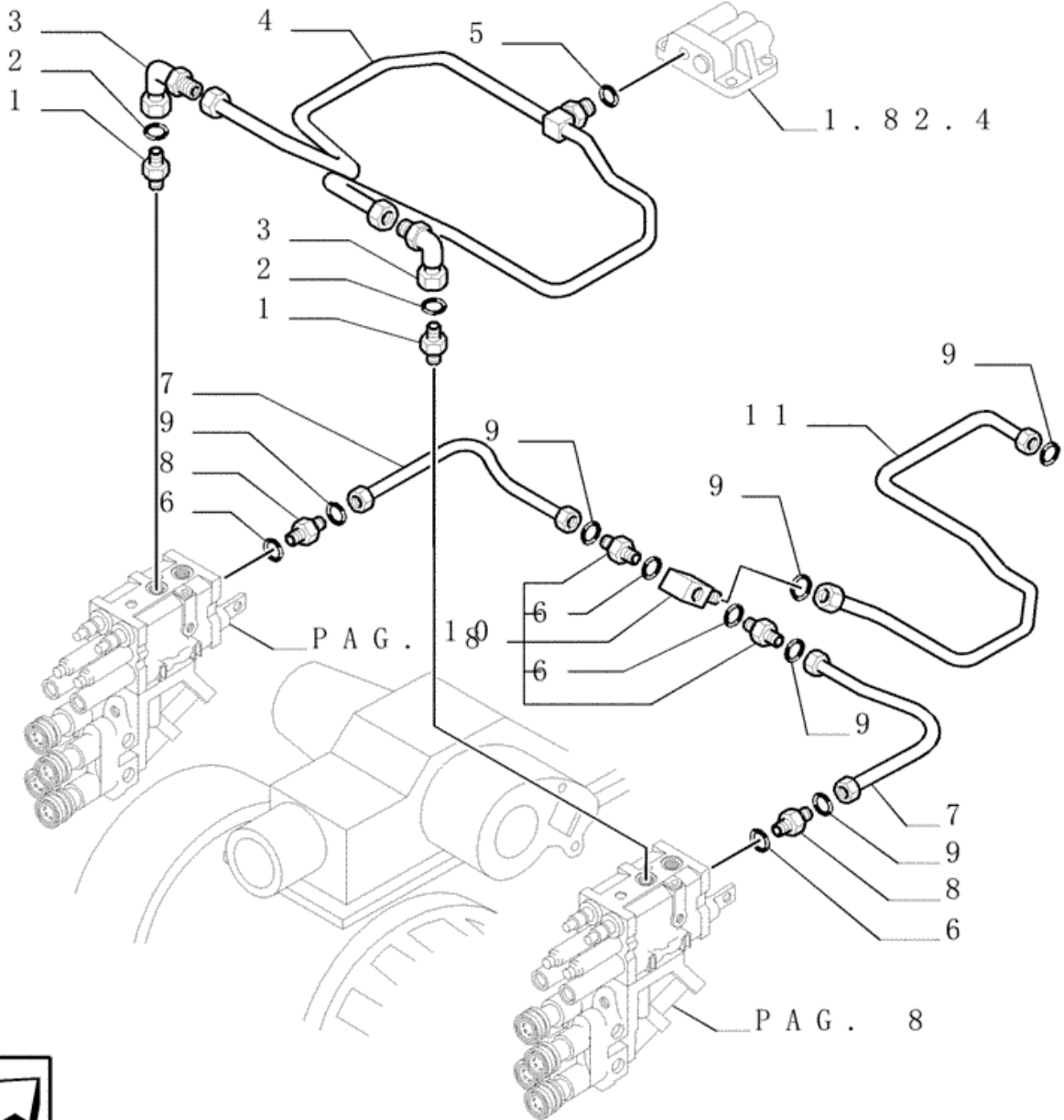
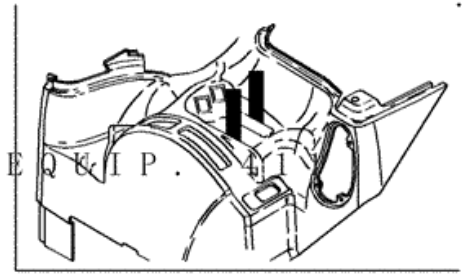
(TS100) - EMISSIONISED TRACTOR (11/97-7/03) > (739[01]) - RADAR - DENMARK

Diag #	Part #	Name	Description	Qty
1	82021163	RADAR	RADAR	1
2	82012458	BRACKET	BRACKET	1
3	87381	WASHER,19.84mm ID x 44.45mm OD x 4.75mm Thk	WASHER,19.84mm ID x 44.45mm OD x 4.75mm Thk	2
4	58739S36	SCREW	Screw, Cap, HH, G8, 3/4"-10 x 1-1/2"	2
5	88542	BOLT,Hex, 1/4"-20 x 1/2", Gr 5	BOLT,Hex, 1/4"-20 x 1/2", Gr 5	4
6	82002071	DECAL	WARNING, Radar	1
7	E7NNT974AA	DECAL	Radar Approval	1

(TS100) - EMISSIONISED TRACTOR (11/97-7/03) > (1.75.6[03]) - REFLECTOR

Diag #	Part #	Name	Description	Qty
1	F0NN13A568AA	LAMP REFLECTOR	LAMP REFLECTOR	2
2	N801269S	RIVET	5.55 x 11	4
3	82026754	SUPPORT	Straddle Mount	2
3	81872115	SUPPORT	LH, L/Cab	2
3	82005751	SUPPORT	LH, W/Cab	1
3	82010580	SUPPORT	RH, W/Cab	1
3	81872113	BRACKET	RH, L/Cab	1
4	5198373	REFLECTOR	mounted on glass	1

12 x 12 TRANS ONLY
FOR STRADDLE 8X2 SEE EQUIP.

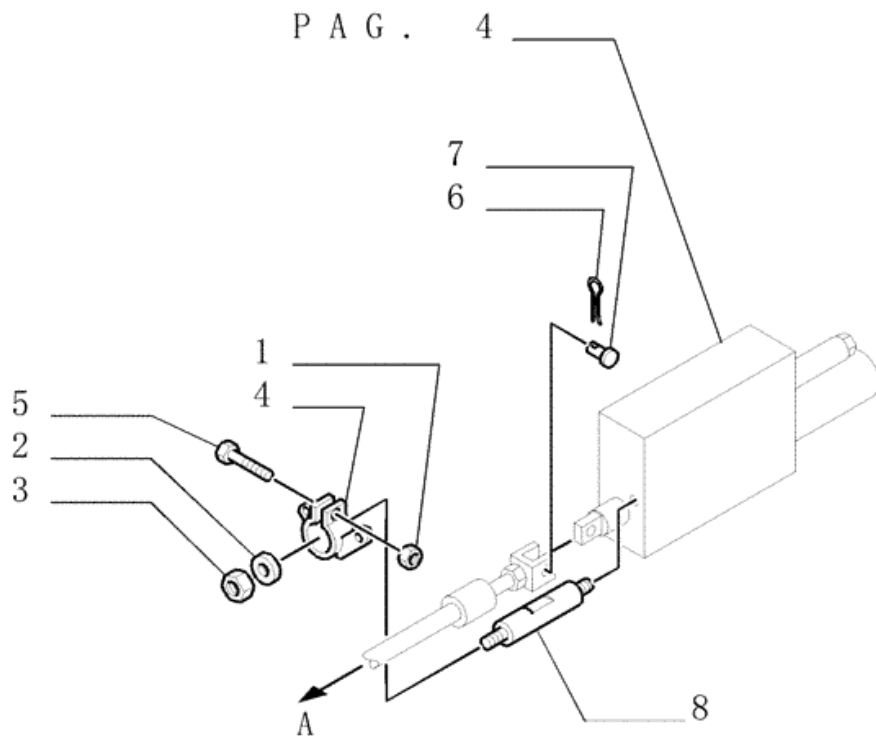
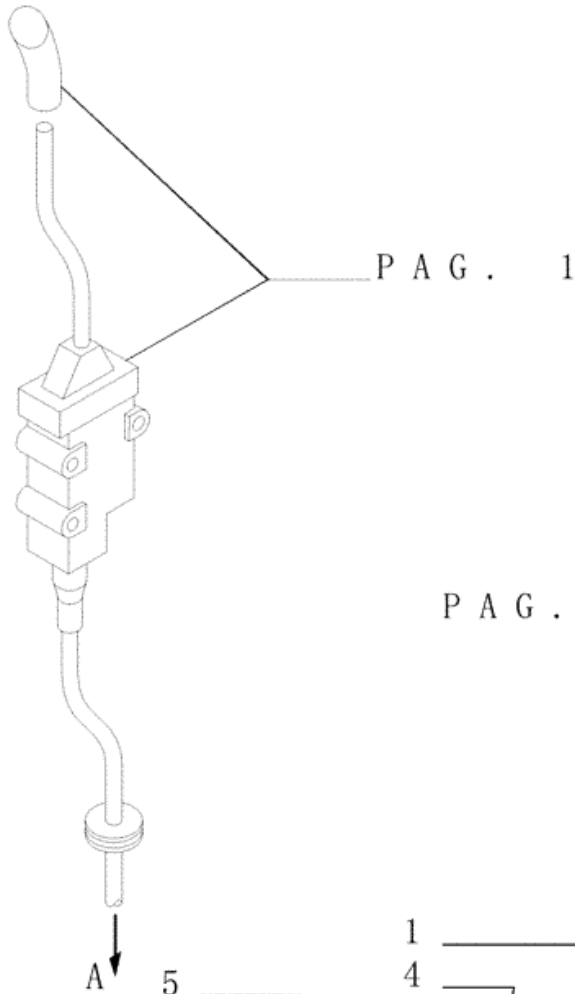
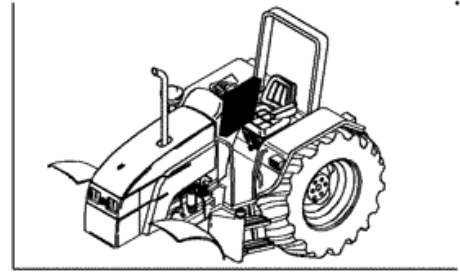


(TS100) - EMISSIONISED TRACTOR (11/97-7/03) > (411[02]) - REMOTE VALVE DELUXE DOUBLE

Diag #	Part #	Name	Description	Qty
1	82013994	ROD	ROD	1
2	82013993	ROD	ROD	1
3	E642567S71	COTTER PIN,M3.2 x 25 L	COTTER PIN,M3.2 x 25 L	4
4	9625121	RETAINER	RETAINER	2

(TS100) - EMISSIONISED TRACTOR (11/97-7/03) > (411[10]) - REMOTE VALVE DELUXE DOUBLE

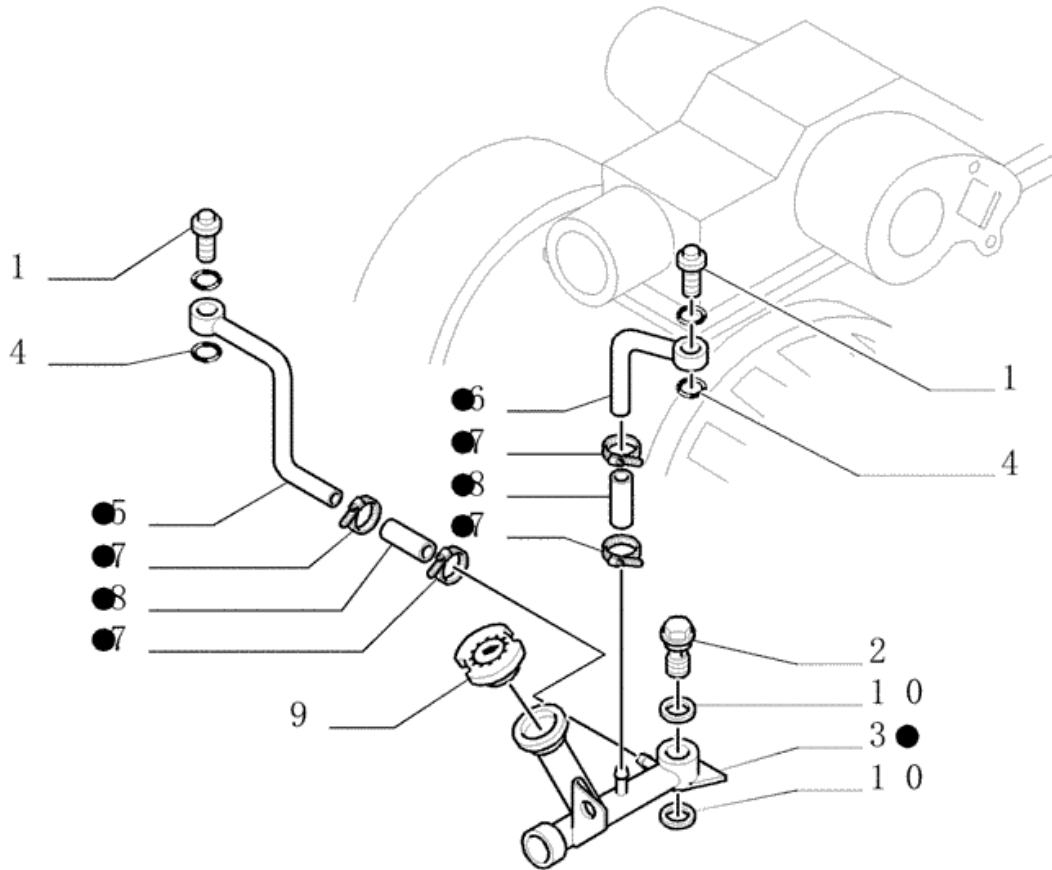
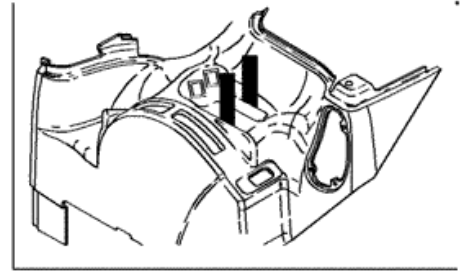
Diag #	Part #	Name	Description	Qty
1	82012689	HYD. TUBE	HYD. TUBE	1
2	167269	O-RING,19.17mm ID x 2.46mm Thk	O-RING,19.17mm ID x 2.46mm Thk	1
3	F0NNU907AA	SUPPORT	SUPPORT	1
4	9992069	O-RING,0.614" ID x 0.754" OD x 0.07" Thk	O-RING,0.614" ID x 0.754" OD x 0.07" Thk	1
5	83963000	FITTING,1" - 14 ORFS x 7/8" - 14 ORB	FITTING,1" - 14 ORFS x 7/8" - 14 ORB	1
6	82012695	RIGID TUBE	RIGID TUBE	1
7	9825770	O-RING,7.93mm ID x 11.11mm OD x 1.58mm Thk	O-RING,7.93mm ID x 11.11mm OD x 1.58mm Thk	1
8	9840526	HYD CONNECTOR	.25A	1
9	165202	O-RING,8.9mm ID x 10.73mm OD x 1.82mm Thk	O-RING,8.9mm ID x 10.73mm OD x 1.82mm Thk	1
10	83999982	PLUG	M18	2

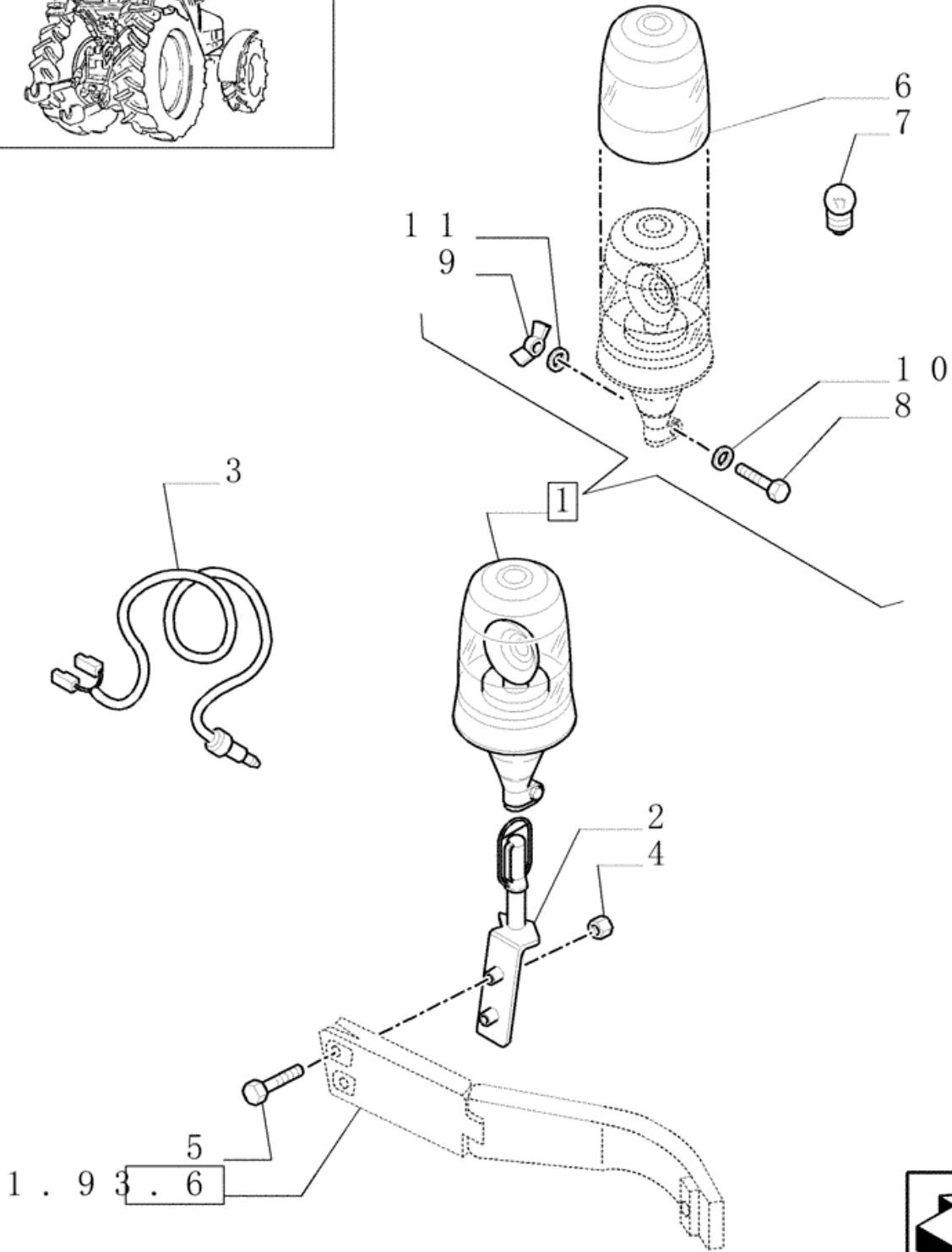
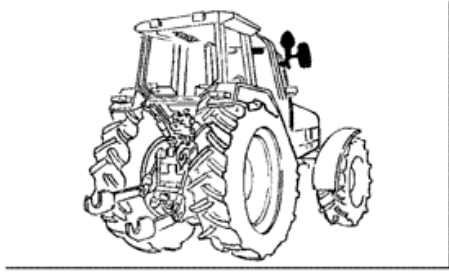


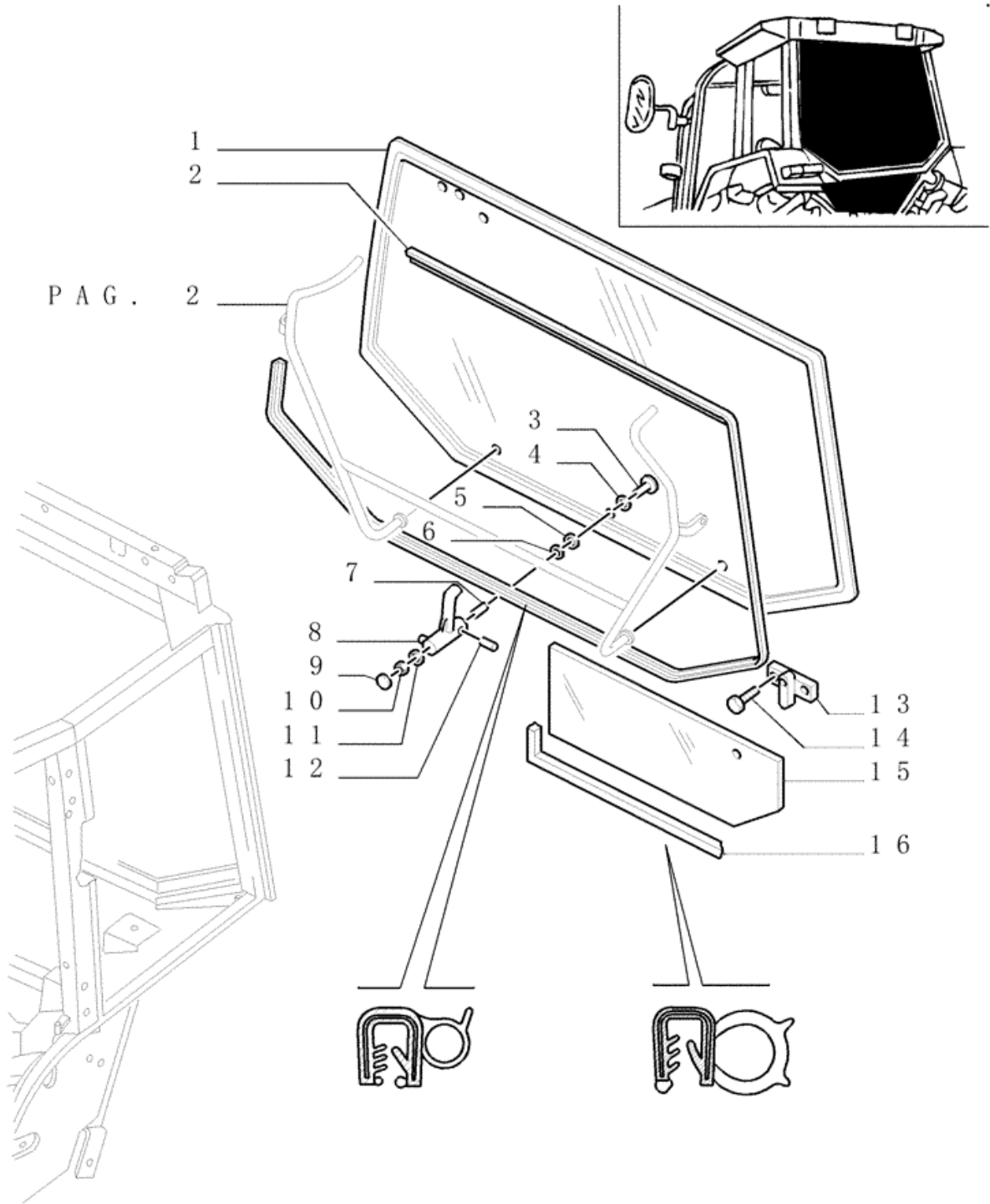
1 2 x 1 2 T R A N S . O N L Y



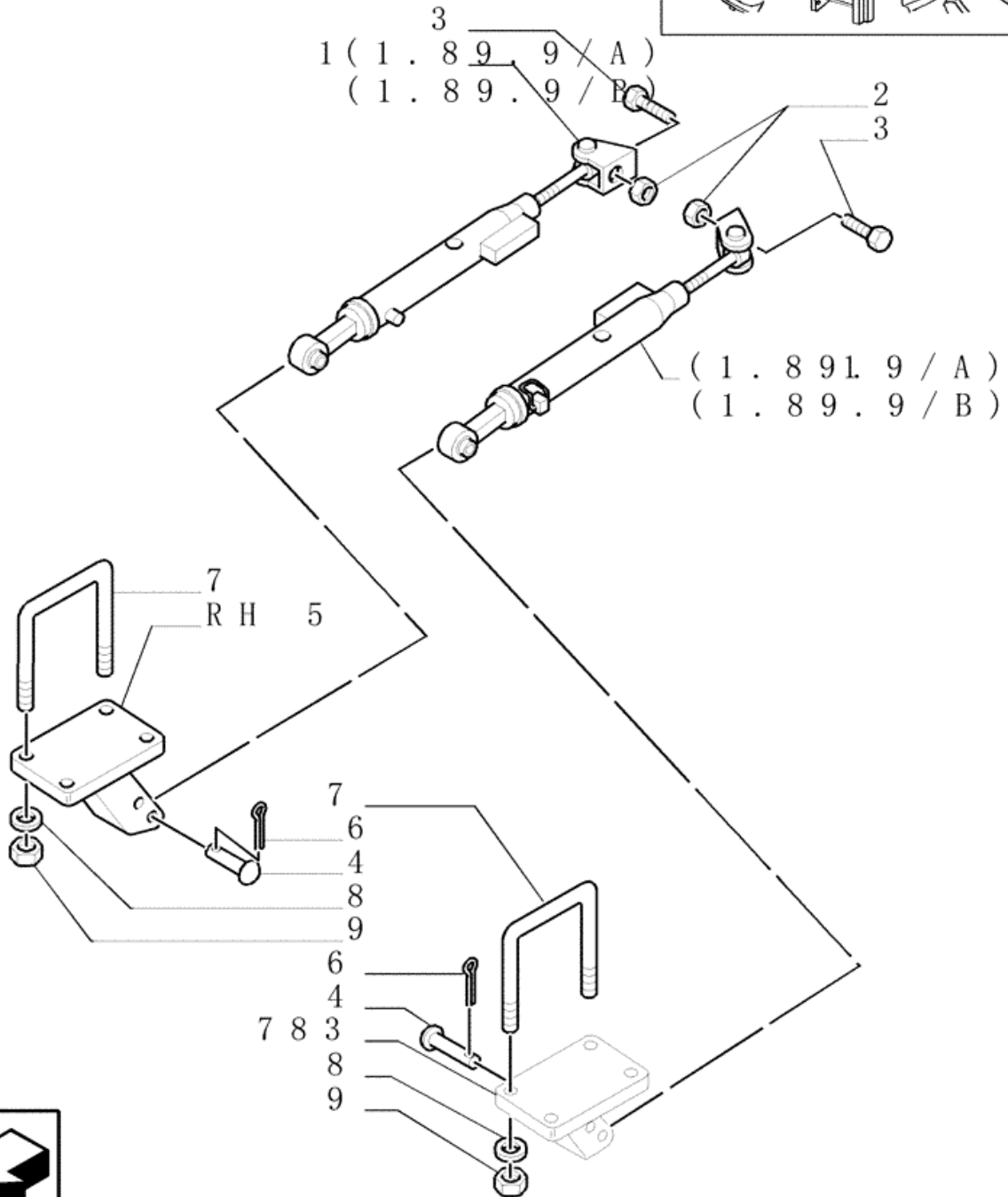
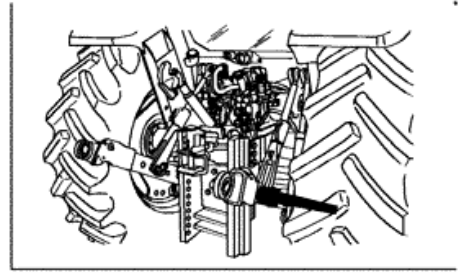
= 2



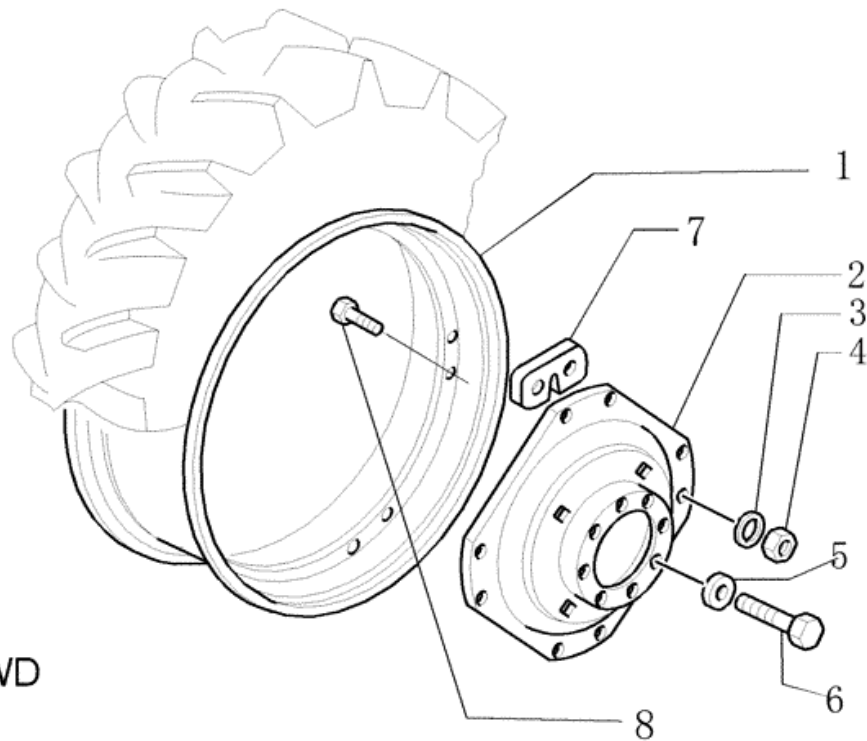
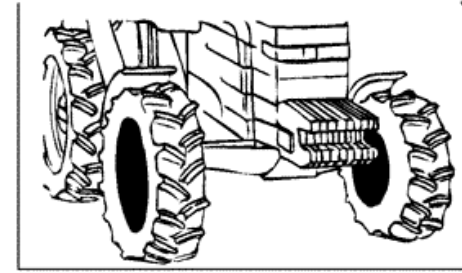




STRADDLE EQUIP.



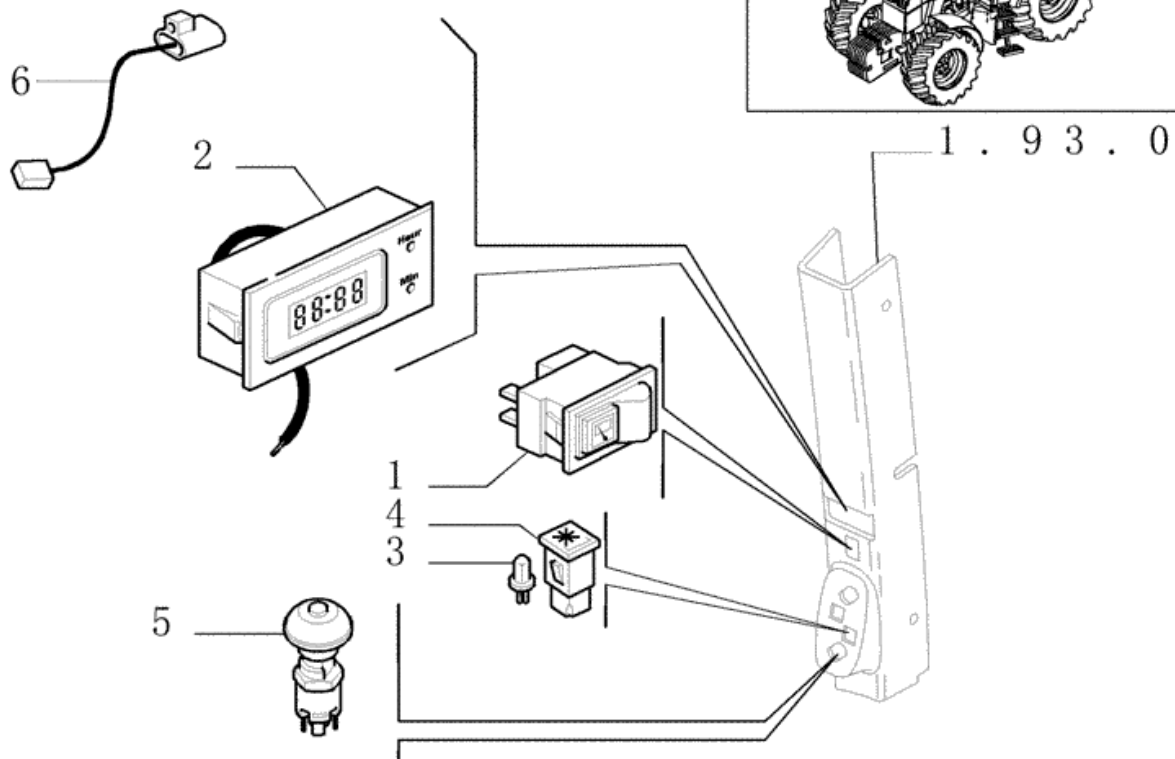
VAR	TYRE SIZE
82.50	13.6-28 6PR R1
82.50/1	13.6R28 123A8 RI
82.50	13.6R28 A8 RI
82.50	380/70R28 A8 RI
88.43	440/65R28 A8 RI
82.41	14.9 R28 A8 RI
82.51	14.9 R28 128 A8 RI
88.51	420/70R28 133A8 RI



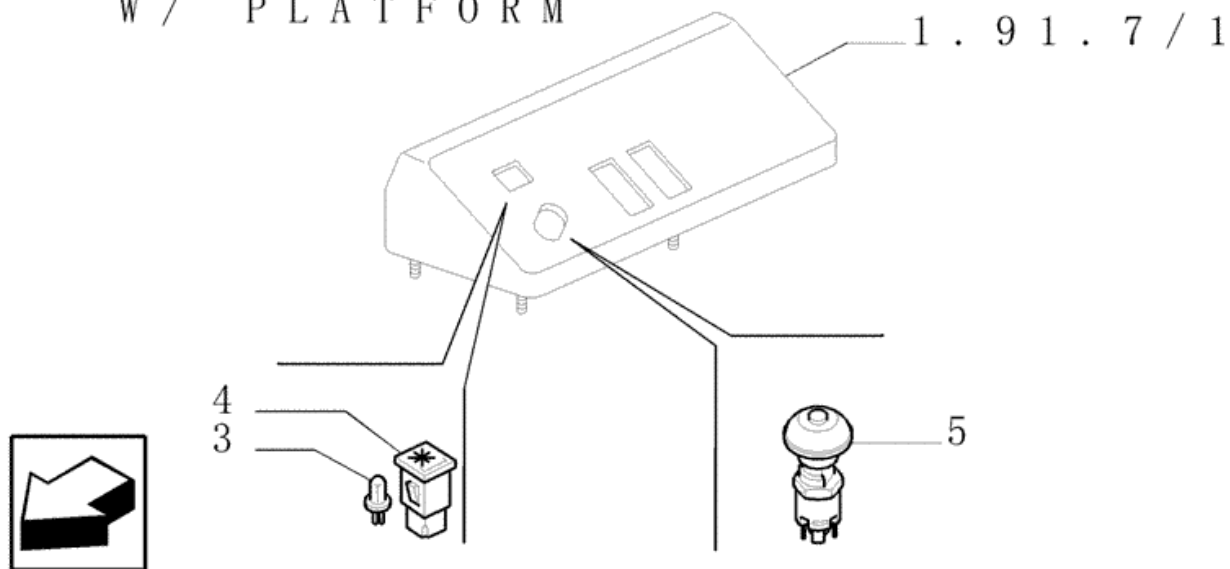
4WD



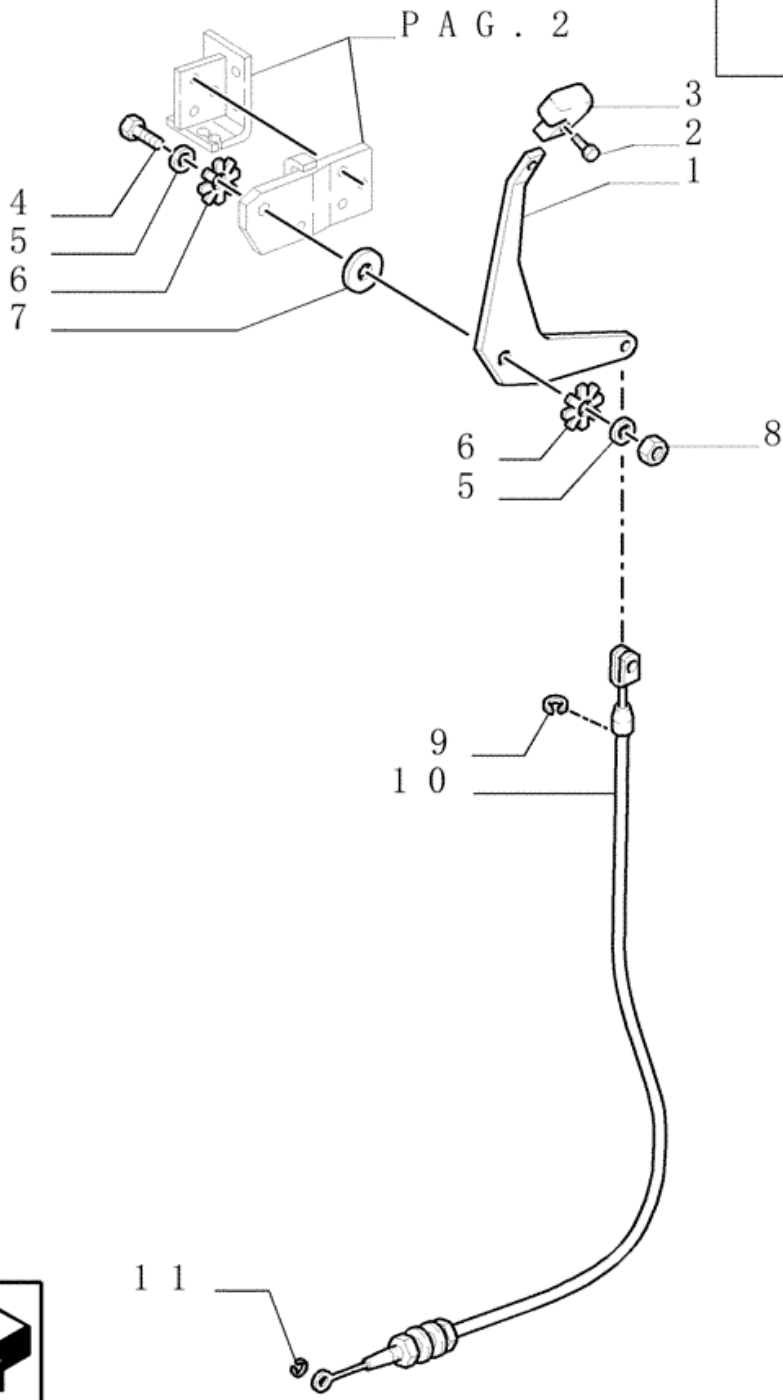
W / C A B

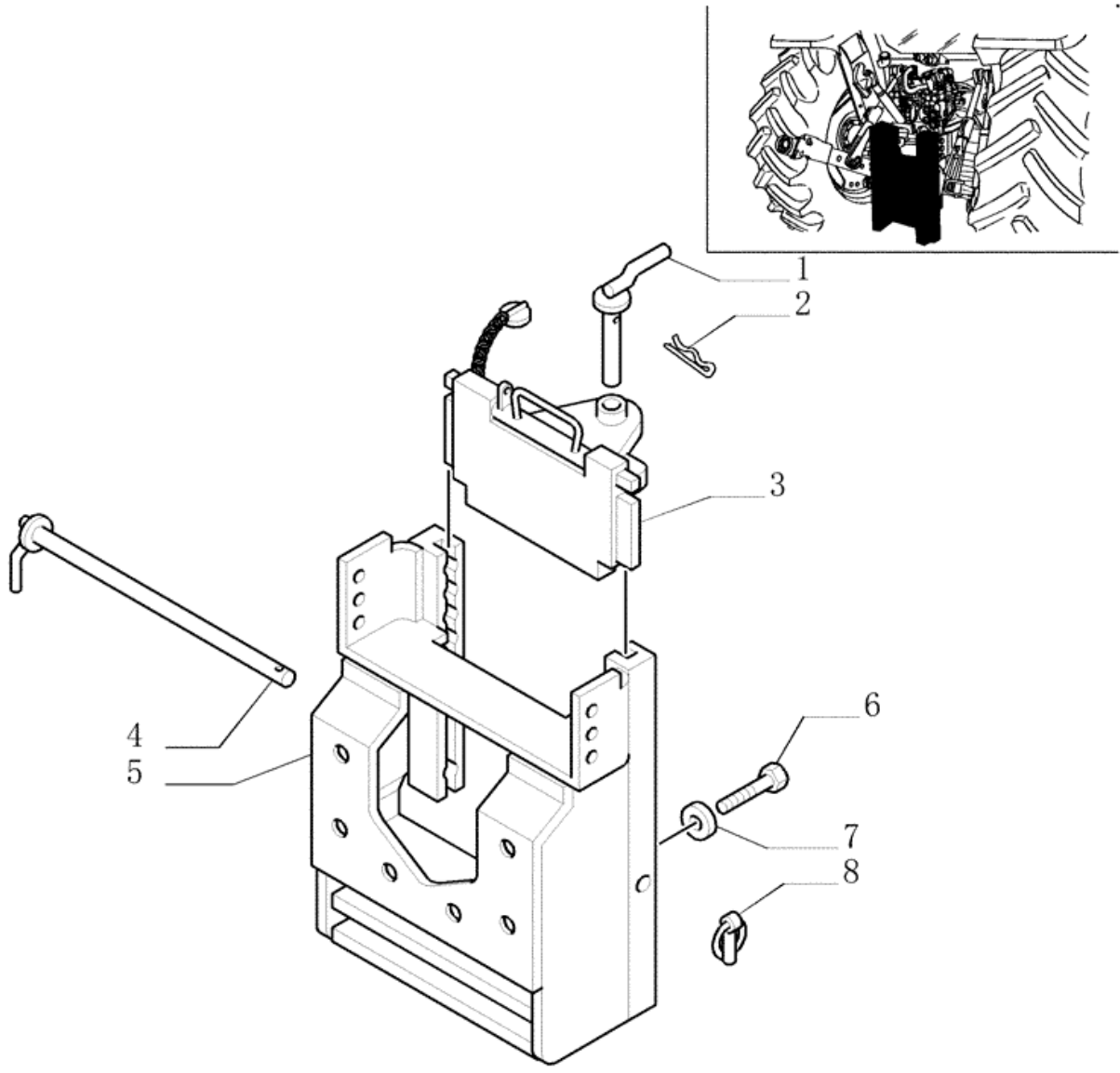


W / P L A T F O R M

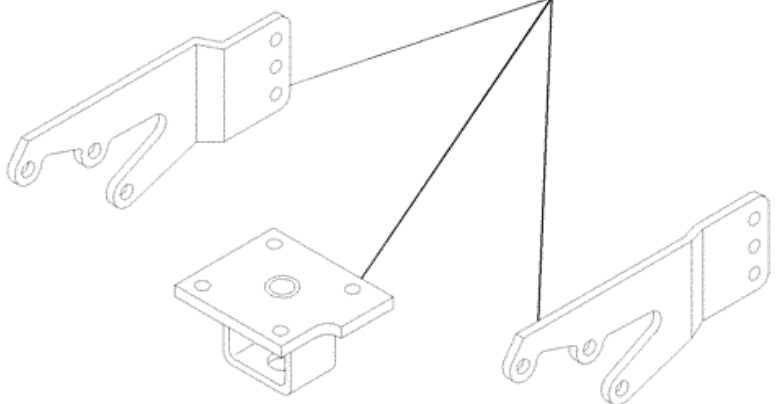


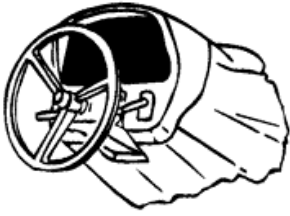
W / 1 2 x 1 2 T R A N S .



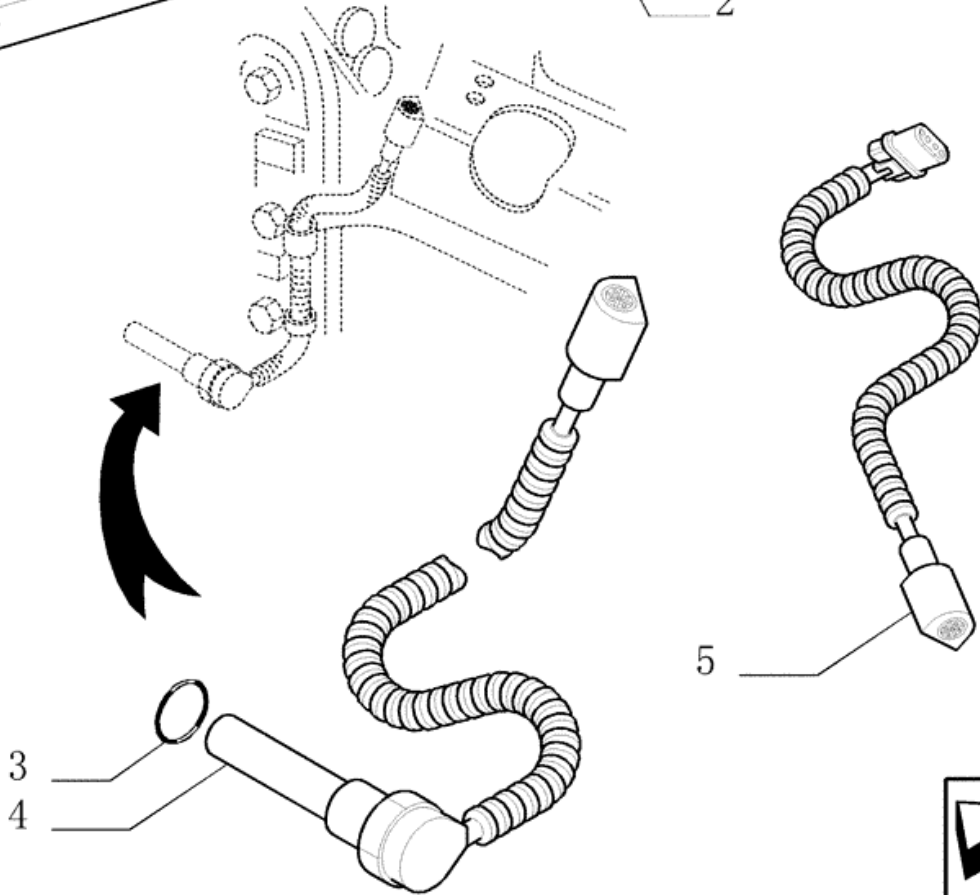
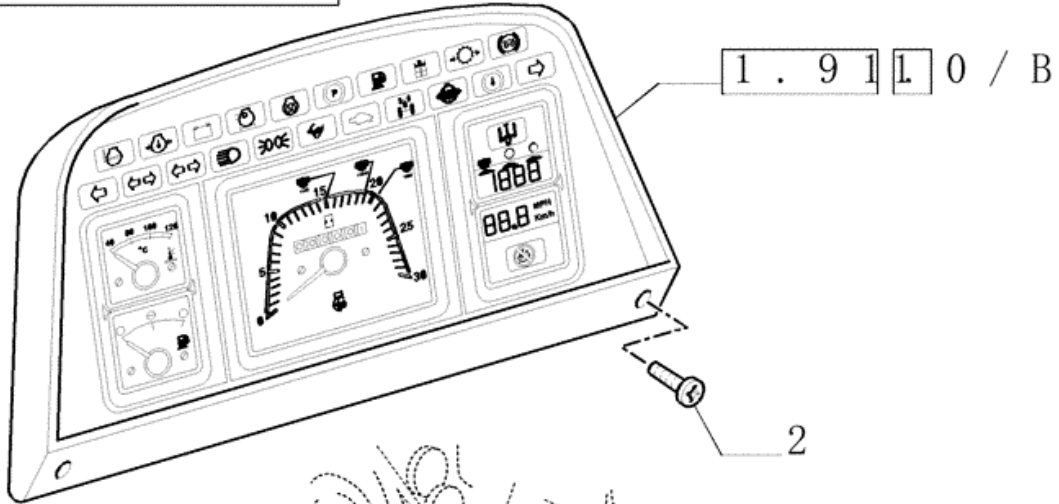


P A G . 2



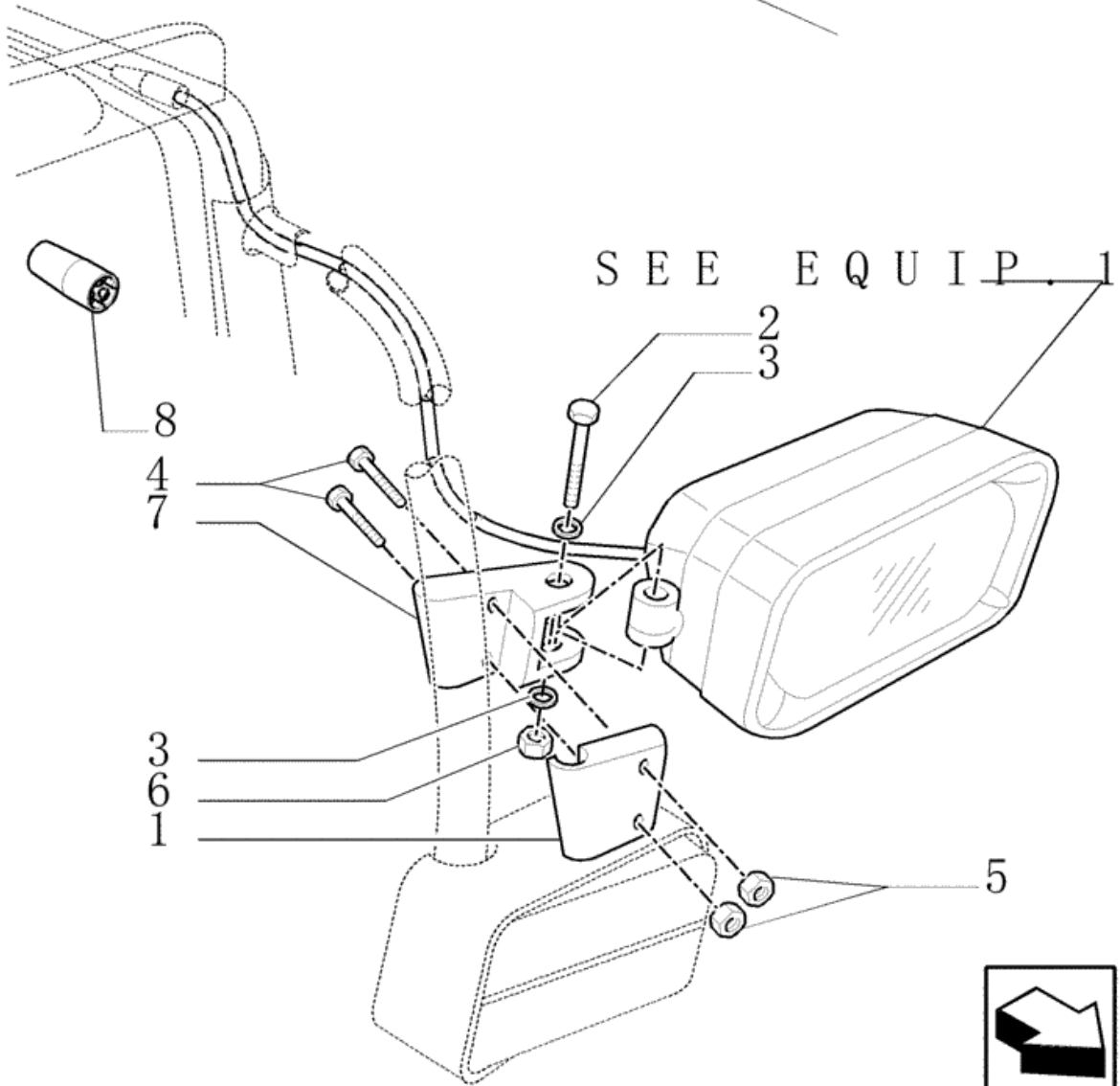
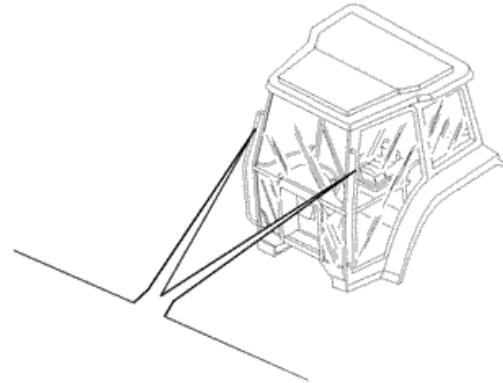


W/ 12x12 TRANS.





W 12x12 TRANS.



CLICK HERE TO **DOWNLOAD** THE COMPLETE MANUAL

- Thank you very much for reading the preview of the manual.
- You can download the complete manual from: www.heydownloads.com by clicking the link below



- Please note: If there is no response to CLICKING the link, please download this PDF first and then click on it.

CLICK HERE TO **DOWNLOAD** THE COMPLETE MANUAL