

**TECHNICAL MANUAL
UNIT, DIRECT SUPPORT
AND GENERAL SUPPORT
MAINTENANCE PARTS LIST**

FOR

**HYDRAULIC EXCAVATOR
JOHN DEERE
MODEL 230LCR
NSN 3805-01-463-0804**

AND

**MODEL 230LCRD WITH ROCK DRILL
NSN 3805-01-463-0806**

DISTRIBUTION STATEMENT A - Approved for public release; distribution is unlimited.

Reproduced by permission of Deere & Company, Moline, IL © 2000.
All rights reserved.

**HEADQUARTERS, DEPARTMENT OF THE ARMY
15 FEBRUARY 2000**

CLICK HERE TO **DOWNLOAD** THE COMPLETE MANUAL

- Thank you very much for reading the preview of the manual.
- You can download the complete manual from: www.heydownloads.com by clicking the link below



- Please note: If there is no response to CLICKING the link, please download this PDF first and then click on it.

CLICK HERE TO **DOWNLOAD** THE COMPLETE MANUAL

SERIAL NUMBER LISTING INFORMATION

SERIAL NUMBER INFORMATION IS LISTED TO SHOW ON WHICH MACHINES EACH PART CAN BE USED; FOR EXAMPLE:

- THE PART CAN BE USED ON ALL MACHINES.
- 000000- THE PART CAN BE USED ON ALL MACHINES BEGINNING WITH THE SERIAL NUMBER LISTED.
- 000000 THE PART CAN BE USED ON ALL MACHINES UP TO AND INCLUDING THE SERIAL NUMBER LISTED.
- 000000-000000 THE PART CAN BE USED ON ALL MACHINES BETWEEN AND INCLUDING THE SERIAL NUMBERS LISTED.

WHEN XXXXXX'S ARE LISTED IN PLACE OF A SERIAL NUMBER, A SERIAL NUMBER CHANGE WAS MADE BUT THE EXACT SERIAL NUMBER WAS NOT AVAILABLE WHEN THE CATALOG WAS PRODUCED.

DIRECTION ARROW

ARROWS ARE USED WITH ILLUSTRATIONS TO INDICATE THE FRONT OF THE UNIT. "RIGHT-HAND" AND "LEFT-HAND" SIDES ARE DETERMINED BY FACING IN THE DIRECTION OF MACHINE FORWARD TRAVEL.

BOX-ENCLOSED ILLUSTRATIONS

A KEY NUMBER, SHOWN IN THE PARTS LIST, IS ASSIGNED TO A BOX ENCLOSING ALL PARTS SOLD AS A SERVICE ASSEMBLY.

BOLT AND CAP SCREW STRENGTH IDENTIFICATION

BOLTS AND CAP SCREWS REQUIRED TO HAVE HIGH-STRENGTH QUALITIES EQUIVALENT TO SAE GRADE 8 ARE IDENTIFIED THROUGHOUT THIS CATALOG BY THE DESCRIPTION HS SAE 8. ALL STANDARD BOLTS AND CAP SCREWS ARE SAE GRADE 5 OR LOWER.

COMPLETE GOODS LISTINGS

COMPLETE GOODS ARE LISTED IN BOLD FACE TYPE. ORDER SEPARATELY. DO NOT INCLUDE ON REPLACEMENT PARTS ORDER.

SI UNITS OF MEASURE

METRIC DIMENSIONS ARE GIVEN, WHERE APPLICABLE, THROUGHOUT THIS PARTS CATALOG.

MODEL DIFFERENCES

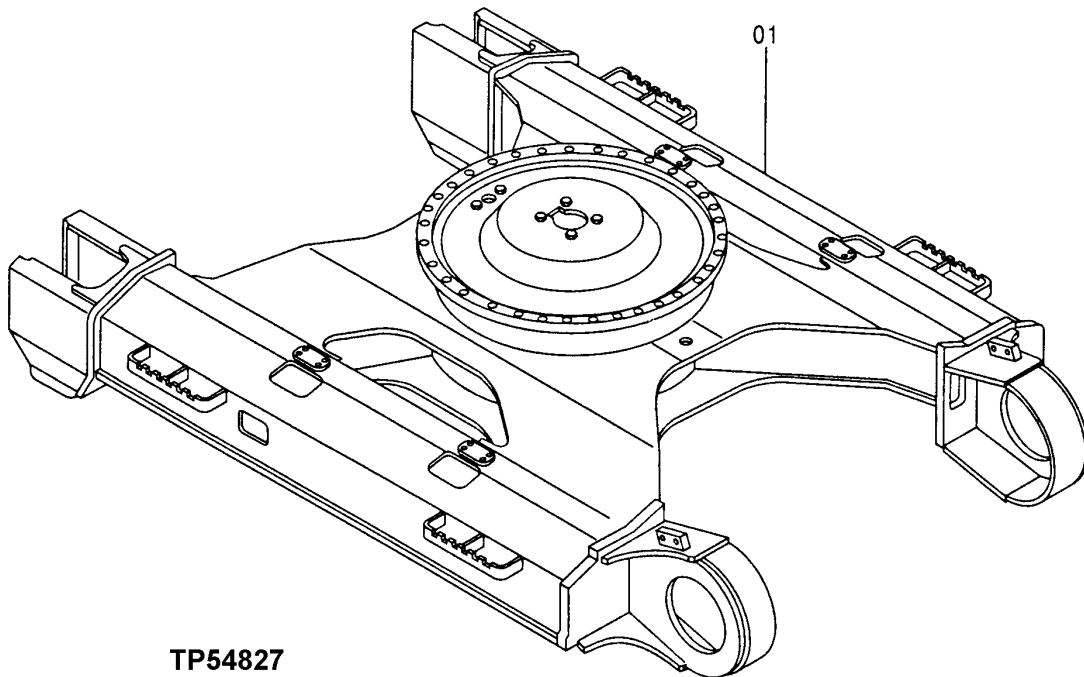
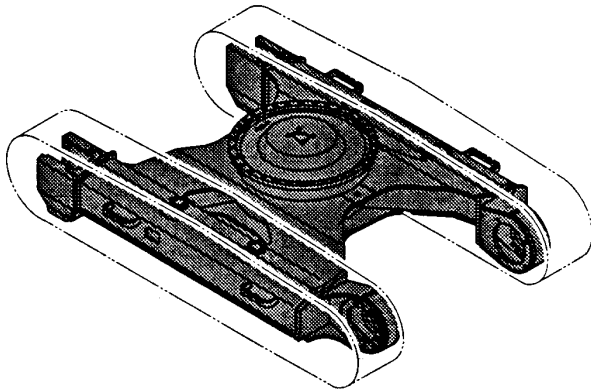
PARTS THAT ARE USED ON 230LCR (TYPE I) AND NOT 230LCRD (TYPE II) WILL BE IDENTIFIED BY AN "X" IN THE MODEL COLUMN. ABSENCE OF AN "X" INDICATES PARTS ARE COMMON TO BOTH THE 230LCR (TYPE I) AND THE 230LCRD (TYPE II).

ALPHABETICAL INDEX - CONTINUED

GRID		PAGE	GRID		PAGE
1E11	KIT, STARTER SOLENOID	0422-2	3E23	LINE, CONTROL VALVE TO FLOW CONTROL VALVE	3360-44
1E10	KIT, STARTING MOTOR	0422-1	3F1	LINE, CONTROL VALVE TO FLOW CONTROL VALVE	3360-46
1D23	KIT, TURBOCHARGER HARDWARE	0416-2	3D13	LINE, CONTROL VALVE TO FRONT PIPINGS	3360-10
2E22	KIT, VANDAL PROTECTION	1910-2	2H17	LINE, CONTROL VALVE TO HYDRAULIC PUMP	2160-16
1E6	KIT, VENT, FUEL FILTER	0420-2	3D19	LINE, CONTROL VALVE TO MAIN PIPINGS	3360-16
1D25	KIT, WATER PUMP	0417-2	3F13	LINE, CONTROL VALVE TO OIL FILTER	3360-58
2E22	KIT, WINDOW GUARDS	1910-2	3D5	LINE, CONTROL VALVE TO OIL TANK	3360-2
1H19	KIT, WIRING HARNESS	1674-22	3F3	LINE, CONTROL VALVE TO OIL TANK	3360-48
1I7	KIT, WIRING HARNESS	1674-38	3F13	LINE, CONTROL VALVE TO OIL TANK	3360-58
2G5	KIT, WIRING HARNESS	1919-2	3D7	LINE, CONTROL VALVE TO RADIATOR	3360-4
2C23	KNOB KIT, SEAT STAND	1821-2	3E17	LINE, CONTROL VALVE TO SOLENOID VALVE	3360-38
2D10	KNOB, HEATER CONTROLLER	1830-6	3E21	LINE, CONTROL VALVE TO SOLENOID VALVE	3360-42
	L		3D9	LINE, CONTROL VALVE TO SWING DEVICE	3360-6
3G11	LABEL, AUXILIARY CONTROL	3360-80	3D15	LINE, CONTROL VALVE TO SWING DEVICE	3360-12
1E11	LABEL, BYPASS START	0422-2	3E21	LINE, CONTROL VALVE TO SWING DEVICE	3360-42
2H19	LABEL, HYDRAULIC FILTER RESTRICTION INDICATOR	2160-18	3F5	LINE, CONTROL VALVE TO TRAVEL PILOT VALVE	3360-50
1E10	LABEL, STARTING MOTOR	0422-1	2D20	LINE, ENGINE TO AIR CONDITIONER	1830-16
3D1	LABEL, AUXILIARY FOOT CONTROL	3315-18	1G11	LINE, ENGINE TO FUEL TANK	0560-4
1G16	LABELS AND DECALS	1320-2	2D12	LINE, ENGINE TO HEATER	1830-8
3C5	LATCH ASSEMBLY, QUICK	3302-24	1F19	LINE, ENGINE TO RADIATOR	0510-6
2F23	LATCH, DOOR LOCK, TOOL BOX	1910-28	1G11	LINE, ENGINE TO WATER SEPARATOR	0560-4
1D15	LEAK-OFF LINE, FUEL	0413-2	3E23	LINE, FLOW CONTROL VALVE TO CONTROL VALVE	3360-44
1D15	LEAK-OFF TEE, FUEL	0413-2	3F1	LINE, FLOW CONTROL VALVE TO CONTROL VALVE	3360-46
3G5	LEFT BOOM CYLINDER	3360-74	3F9	LINE, FLOW CONTROL VALVE TO FRONT PILOT VALVE	3360-54
2G13	LEFT REAR VIEW MIRROR	2002-2	3F11	LINE, FLOW CONTROL VALVE TO FRONT PILOT VALVE	3360-56
2H13	LEVEL GAUGE, OIL TANK	2160-12	3F15	LINE, FLOW CONTROL VALVE TO LOCK VALVE	3360-60
1F21	LEVEL SWITCH, RESERVE WATER TANK	0510-8	3F9	LINE, FRONT PILOT VALVE TO FLOW CONTROL VALVE	3360-54
1G9	LEVEL, SWITCH, FUEL TANK	0560-2	3F11	LINE, FRONT PILOT VALVE TO FLOW CONTROL VALVE	3360-56
3C23	LEVER DAMPENER, PROPEL	3315-16	3F9	LINE, FRONT PILOT VALVE TO LOCK VALVE	3360-54
3C23	LEVER DAMPENER, TRAVEL	3315-16	3F11	LINE, FRONT PILOT VALVE TO LOCK VALVE	3360-56
3C9	LEVER, CONTROL	3315-2	3D13	LINE, FRONT TO CONTROL VALVE	3360-10
3D21	LEVER, LOCK	3360-18	1D15	LINE, FUEL INJECTION	0413-2
3C15	LEVER, PROPEL CONTROL	3315-8	1D17	LINE, FUEL INJECTION PUMP	0413-4
1D19	LEVERS, FUEL INJECTION PUMP	0413-6	1G11	LINE, FUEL TANK TO ENGINE	0560-4
2B9	LIGHT, DOME	1810-6	1G11	LINE, FUEL TANK TO WATER SEPARATOR	0560-4
2C5	LIGHTER	1810-26	2D12	LINE, HEATER TO ENGINE	1830-8
1I15	LIGHTS, BOOM	1673A-2	2H17	LINE, HYDRAULIC PUMP TO CONTROL VALVE	2160-16
1I17	LIGHTS, CAB	1673A-4	2H15	LINE, HYDRAULIC PUMP TO OIL TANK	2160-14
1I19	LIGHTS, HOOD, REAR	1673A-6	3E19	LINE, HYDRAULIC PUMP TO OIL TANK	3360-40
2I22	LINE, AIR	2201A-18	3F15	LINE, LOCK VALVE TO FLOW CONTROL VALVE	3360-60
1G5	LINE, AIR CLEANER	0520-4	3F9	LINE, LOCK VALVE TO FRONT PILOT VALVE	3360-54
2D16	LINE, AIR CONDITIONER COMPRESSOR TO CONDENSER	1830-12	3F11	LINE, LOCK VALVE TO FRONT PILOT VALVE	3360-56
2D16	LINE, AIR CONDITIONER CONDENSER TO COMPRESSOR	1830-12	3F15	LINE, LOCK VALVE TO OIL FILTER	3360-60
2D16	LINE, AIR CONDITIONER CONDENSOR TO TANK	1830-12	3F15	LINE, LOCK VALVE TO SOLENOID VALVE	3360-60
2D16	LINE, AIR CONDITIONER TANK TO CONDENSOR	1830-12	3F7	LINE, LOCK VALVE TO TRAVEL PILOT VALVE	3360-52
2D18	LINE, AIR CONDITIONER TO COMPRESSOR	1830-14	3D19	LINE, MAIN TO CONTROL VALVE	3360-16
2D20	LINE, AIR CONDITIONER TO ENGINE	1830-16	3F13	LINE, OIL FILTER TO CONTROL VALVE	3360-58
2D18	LINE, AIR CONDITIONER TO RECEIVING TANK	1830-14	3F15	LINE, OIL FILTER TO LOCK VALVE	3360-60
1F17	LINE, AIR COOLER	0510-4	3F13	LINE, OIL FILTER TO OIL TANK	3360-58
3D11	LINE, BOOM BOTTOM TO BOOM CYLINDER	3360-8	3D5	LINE, OIL TANK TO CONTROL VALVE	3360-2
3D11	LINE, BOOM CYLINDER TO BOOM BOTTOM PIPINGS	3360-8	3F3	LINE, OIL TANK TO CONTROL VALVE	3360-48
3D11	LINE, BOOM CYLINDER TO CONTROL VALVE	3360-8	3F13	LINE, OIL TANK TO CONTROL VALVE	3360-58
3D17	LINE, CENTER JOINT TO CONTROL VALVE	3360-14	2H15	LINE, OIL TANK TO HYDRAULIC PUMP	2160-14
3D9	LINE, CENTER JOINT TO RETURN PIPINGS	3360-6	3E19	LINE, OIL TANK TO HYDRAULIC PUMP	3360-40
3E21	LINE, CENTER JOINT TO SOLENOID VALVE	3360-42	3F13	LINE, OIL TANK TO OIL FILTER	3360-58
1C7	LINE, CENTER JOINT TO TRAVEL DEVICE	0260-20	3D5	LINE, OIL TANK TO RADIATOR	3360-2
2D18	LINE, COMPRESSOR TO AIR CONDITIONER	1830-14	3F5	LINE, PROPEL PILOT VALVE TO CONTROL VALVE	3360-50
3D11	LINE, CONTROL VALVE TO BOOM CYLINDER	3360-8			
3D17	LINE, CONTROL VALVE TO CENTER JOINT	3360-14			

TP54827 -UN-29MAY97

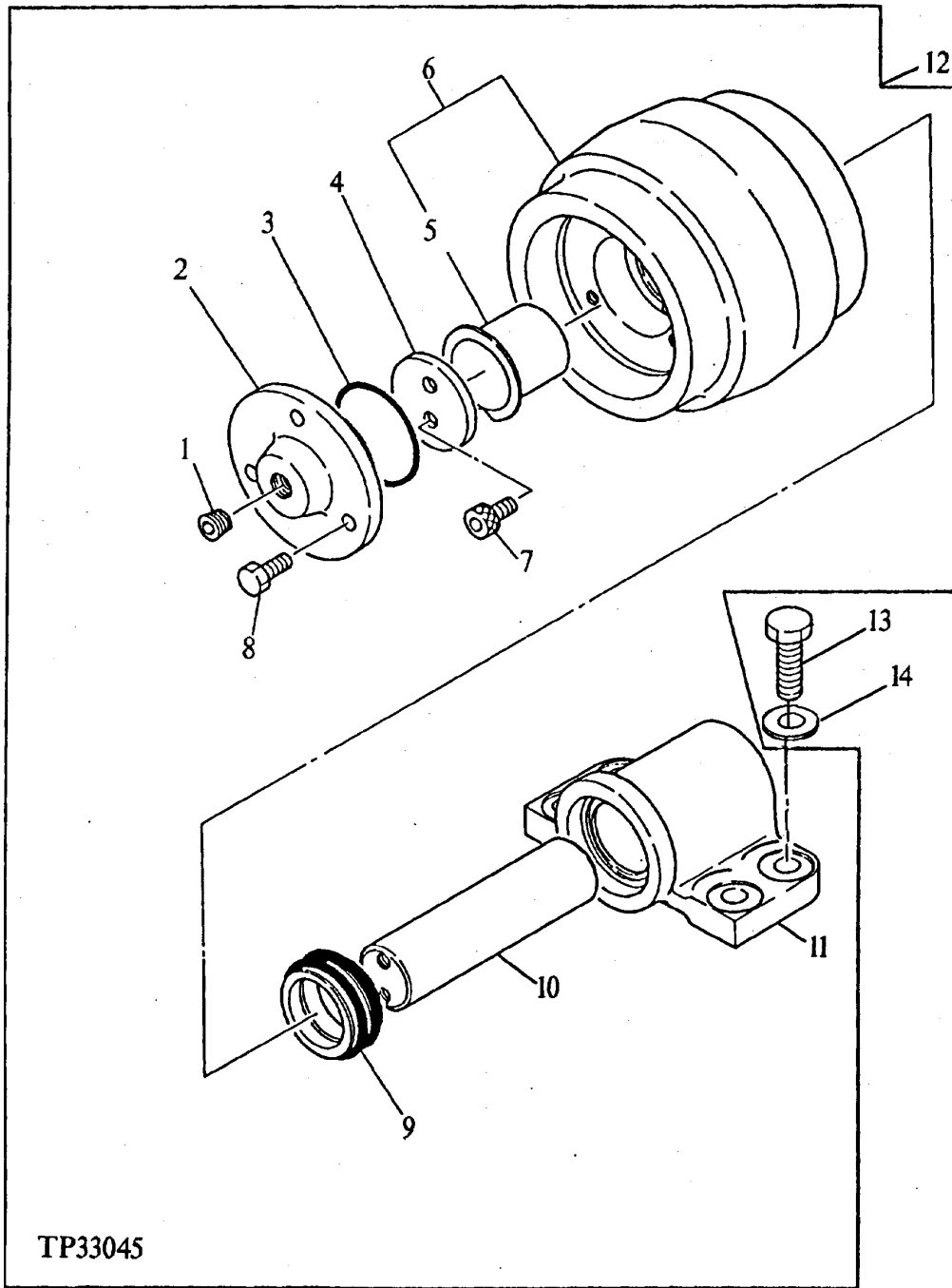
TRACK FRAME



TP54827

TP33045 -UN-01JAN94

UPPER ROLLER

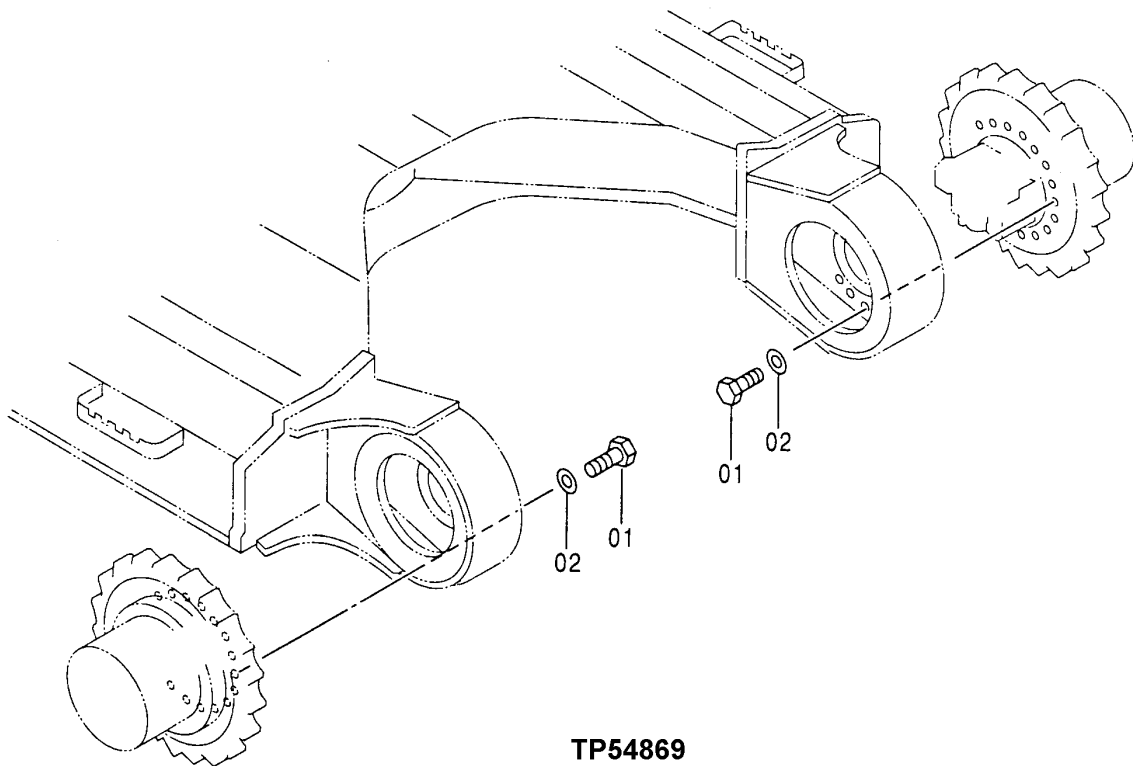
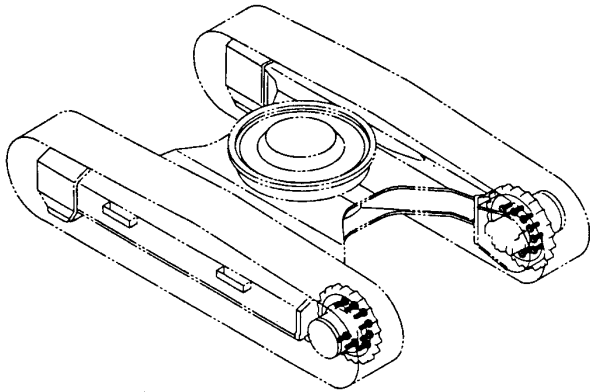


TP33045

TP54869

-UN-05JUN97

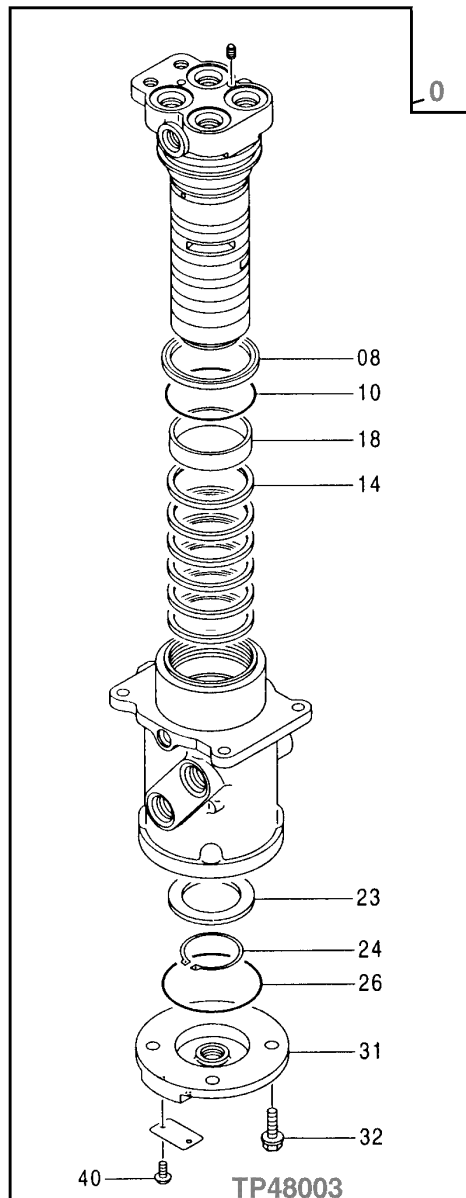
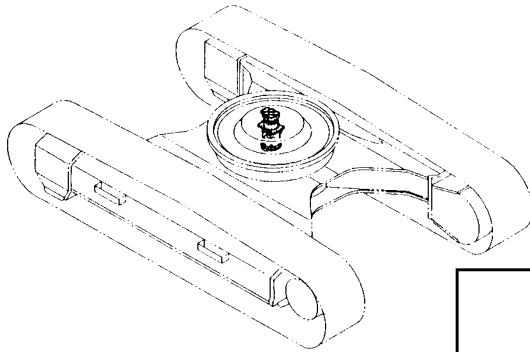
TRAVEL DEVICE SUPPORT



TP54869

TP48003 -UN-28MAY96

CENTER JOINT

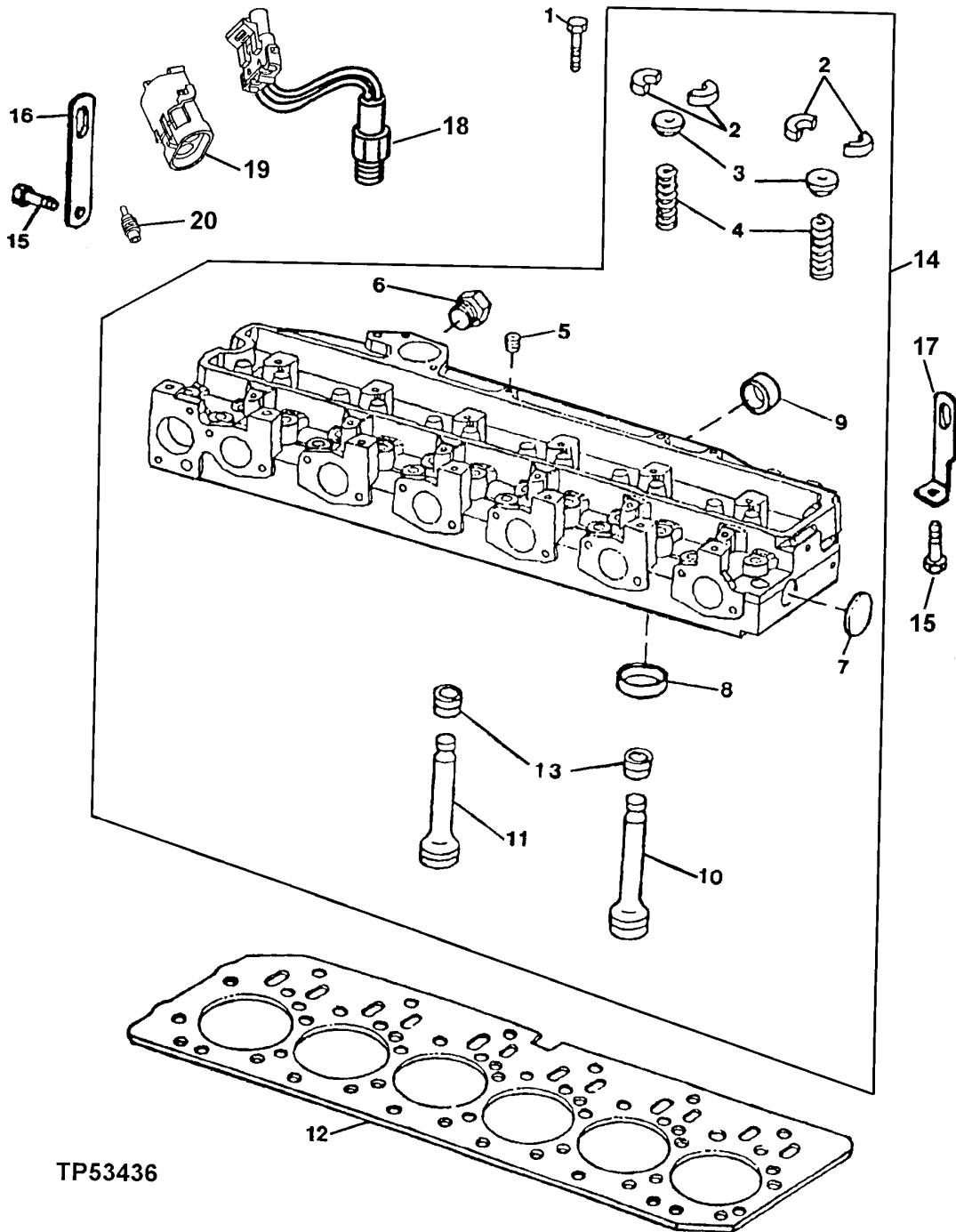


MEMORANDA

TP53436

-UN-05JUN97

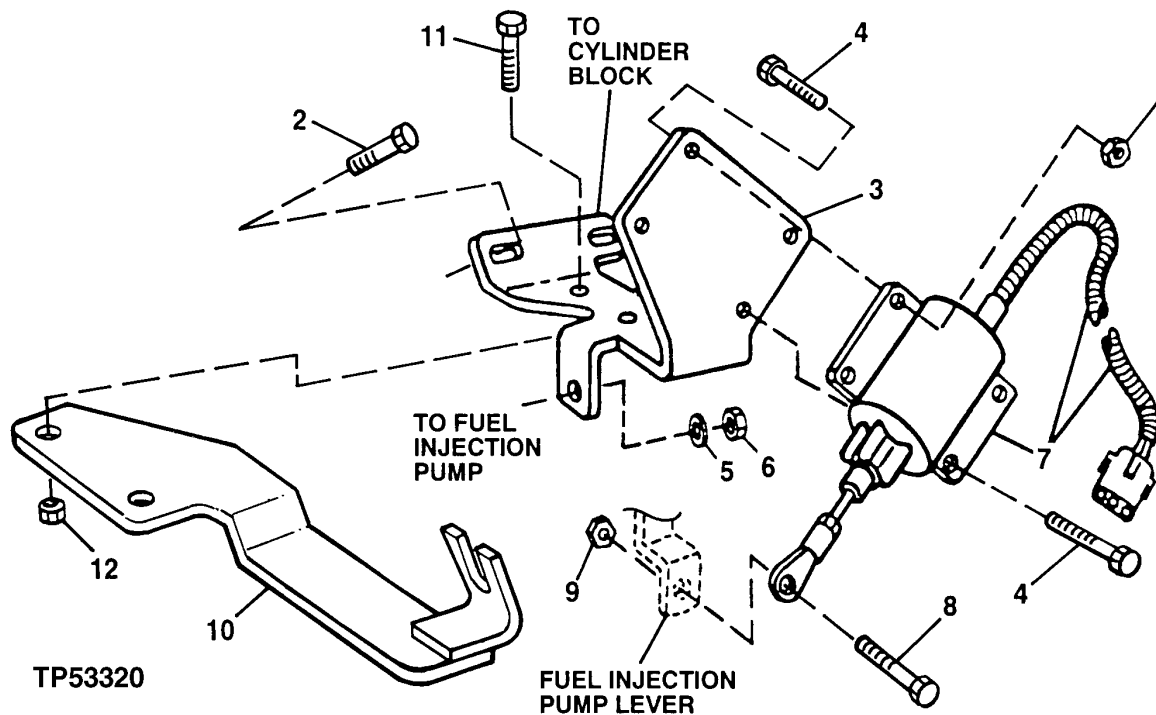
CYLINDER HEAD, HEAD GASKET AND VALVES



TP53436

TP53320 -UN-09SEP96

FUEL INJECTION PUMP SOLENOID SHUT-OFF

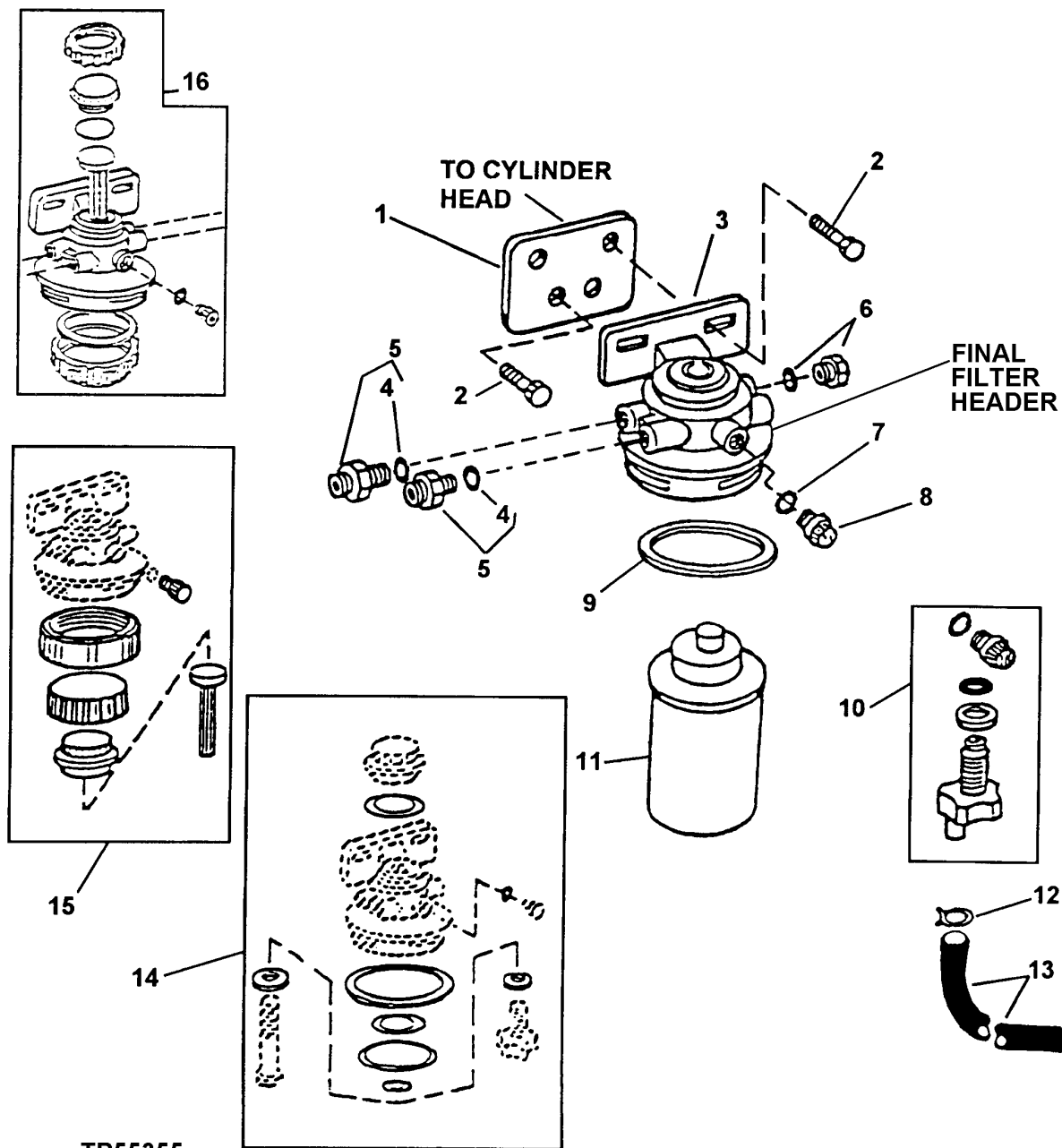


KEY	PART NO.	PART NAME	QTY	ENGINE SERIAL NO.	REMARKS
1	14M7303	FLANGE NUT	4	M6	
2	19M7784	SCREW	1	M10 X 20	
3	R132901	BRACKET	1		
4	19M7862	SCREW	4	M6 X 20	
5	24M7213	WASHER	1	10.500 X 25 X 4 MM	
6	14M7444	NUT	1	M10	
7	RE502474	SOLENOID	1		(SUB FOR RE67256) (24-VOLT)
8	CAP SCREW	1		
9	NUT	1		
10	AT176928	BRACKET	1		
11	19M7867	SCREW	2	M8 X 25	
12	14M7298	FLANGE NUT	2	M8	

TP55355

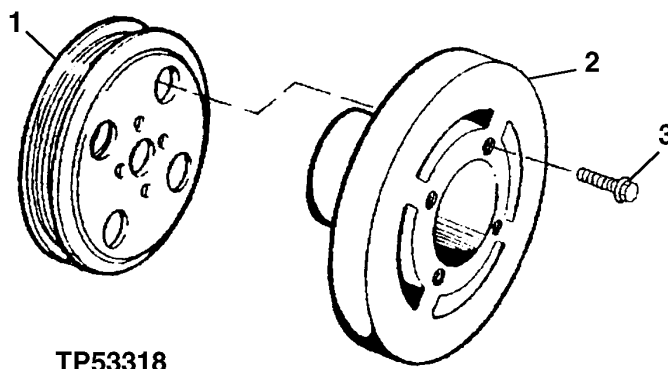
-UN-28APR98

FUEL FILTER AND MOUNTING BRACKET



CRANKSHAFT PULLEY

TP53318 -UN-21AUG96

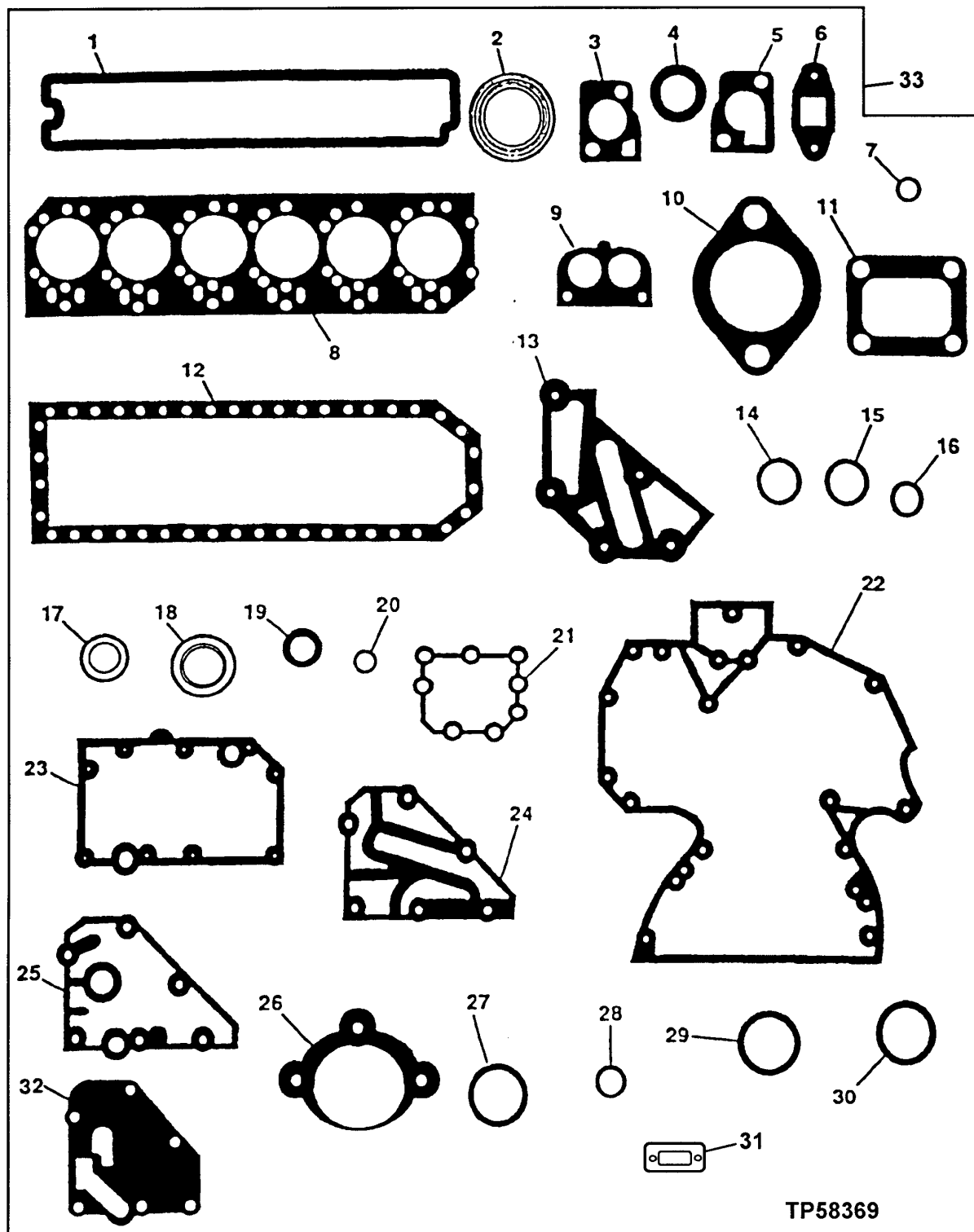


KEY	PART NO.	PART NAME	QTY	ENGINE SERIAL NO.	REMARKS
1	R133295	PULLEY	1		
2	RE59355	TORSIONAL DAMPENER	1		
3	R121897	BOLT	4		

TP58369

-UN-08FEB99

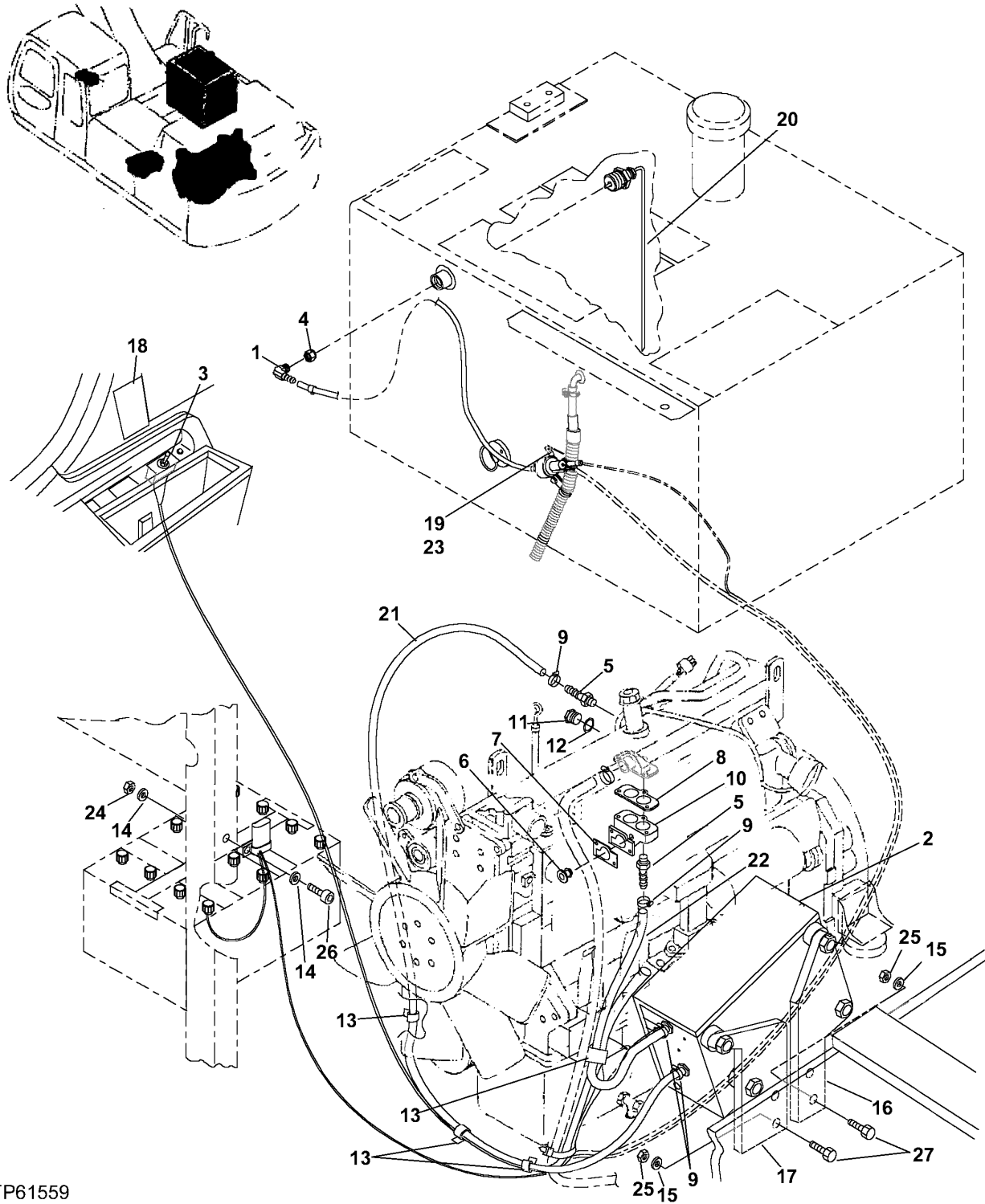
ENGINE MAJOR OVERHAUL GASKET SET



TP58369

TP61559 -UN-22JUN99

ARCTIC START KIT (TYPE I)

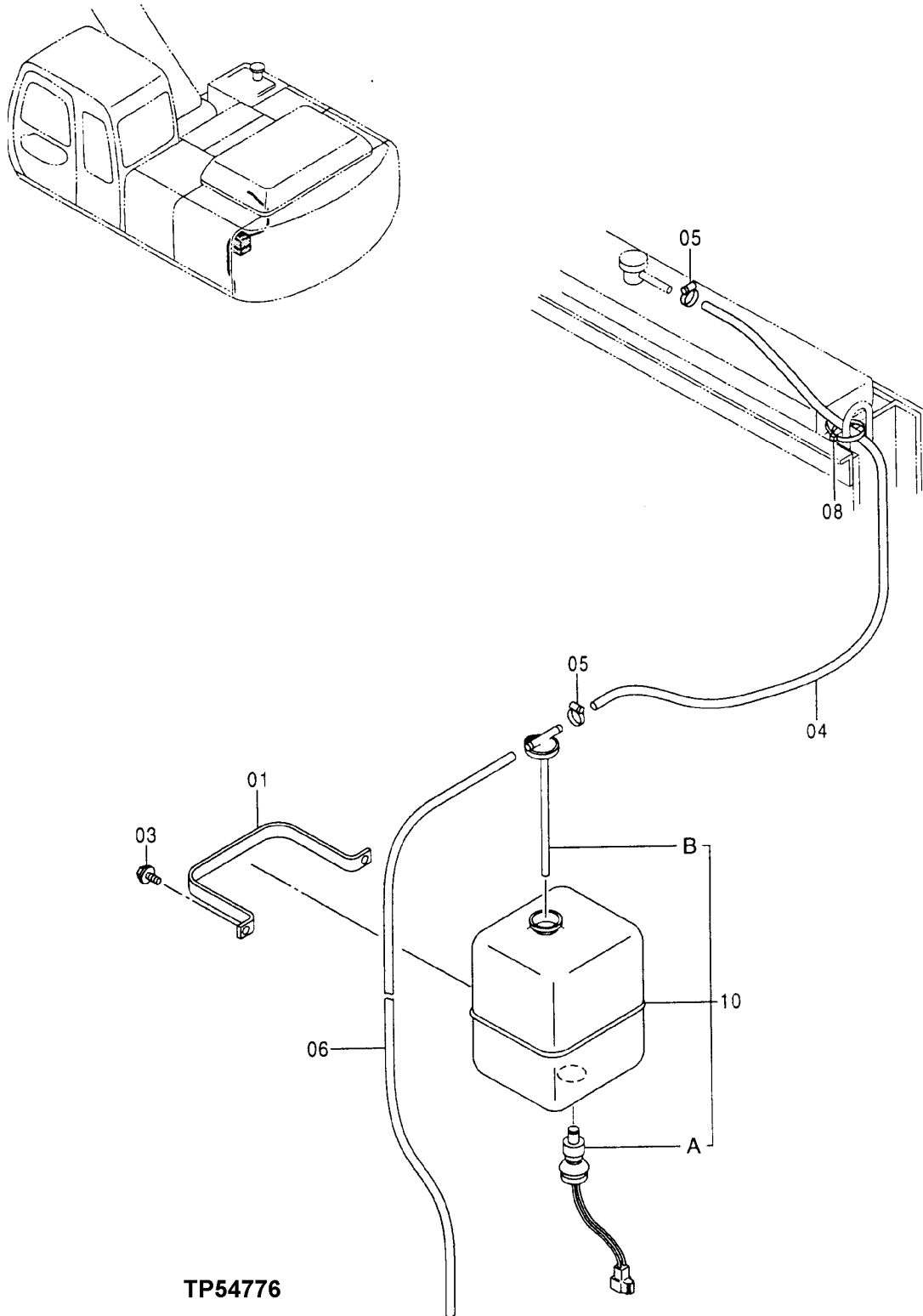


TP61559

TP54776

-UN-03JUN97

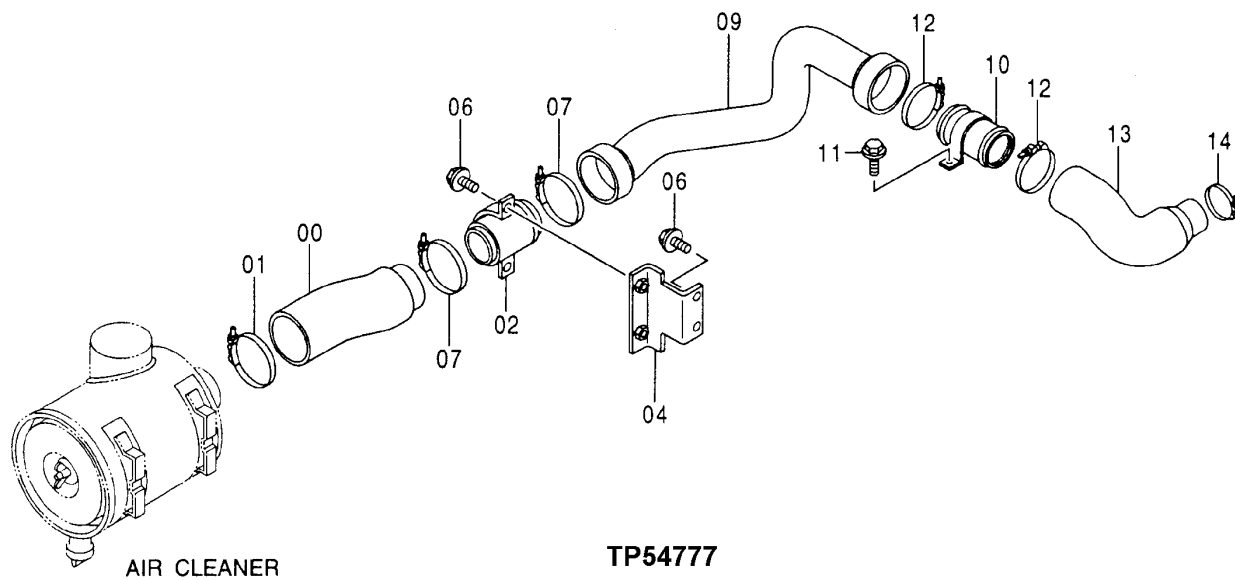
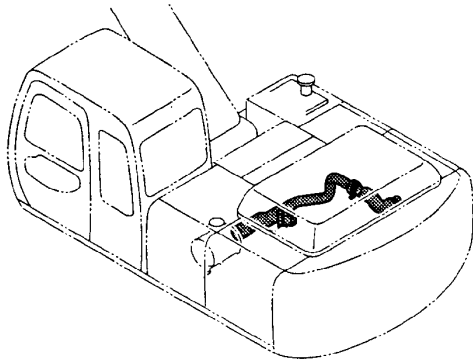
RESERVE WATER TANK



TP54776

TP54777 -UN-03JUN97

AIR CLEANER SUPPORT



CLICK HERE TO **DOWNLOAD** THE COMPLETE MANUAL

- Thank you very much for reading the preview of the manual.
- You can download the complete manual from: www.heydownloads.com by clicking the link below



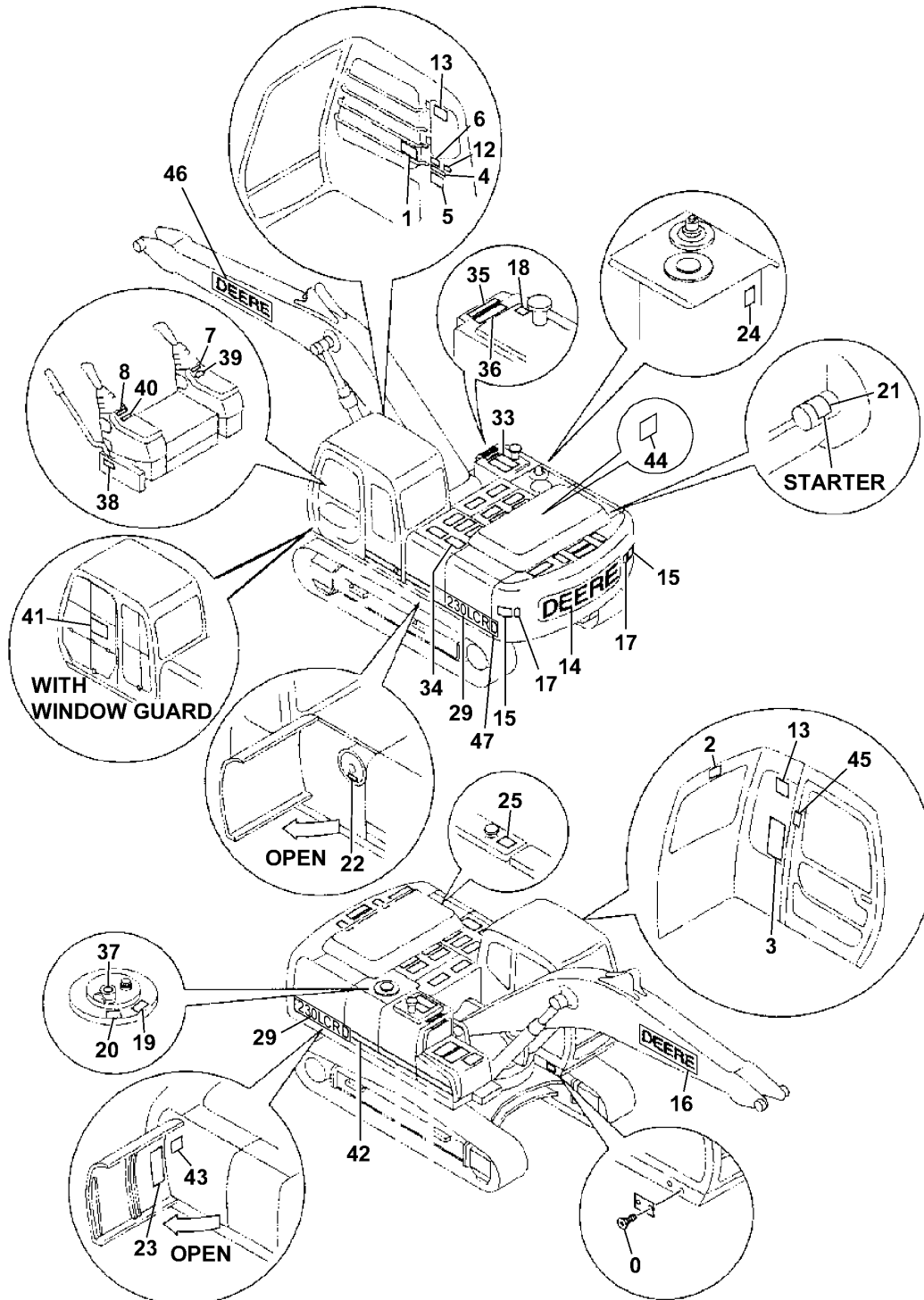
- Please note: If there is no response to CLICKING the link, please download this PDF first and then click on it.

CLICK HERE TO **DOWNLOAD** THE COMPLETE MANUAL

ORDER REPAIR AND REPLACEMENT PARTS FROM SECTION 1320-1369 USING JOHN DEERE CAGE CODE 1J955.

TP61526 -UN-27OCT99

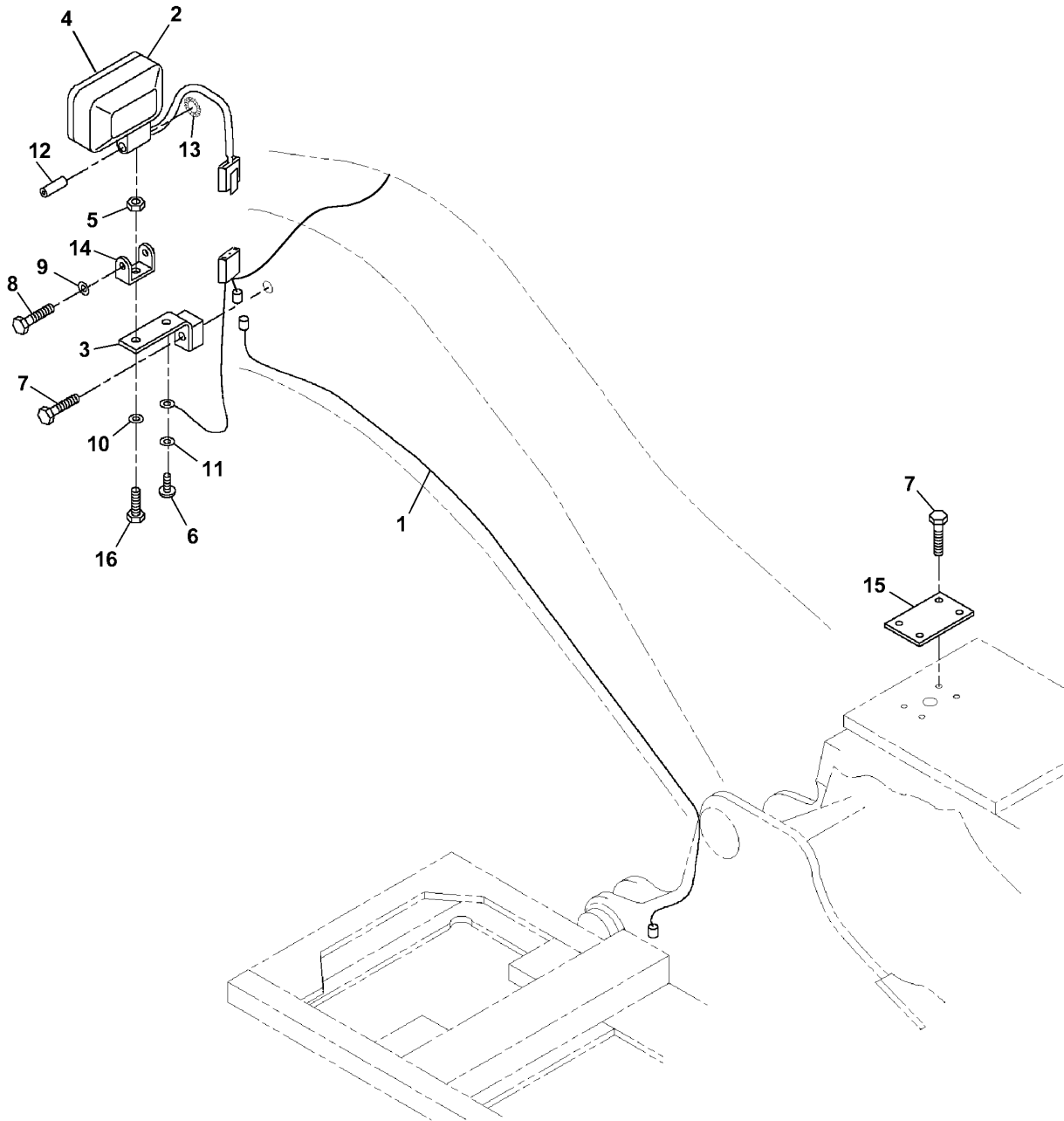
LABELS AND DECALS



TP61526

BOOM LIGHTS

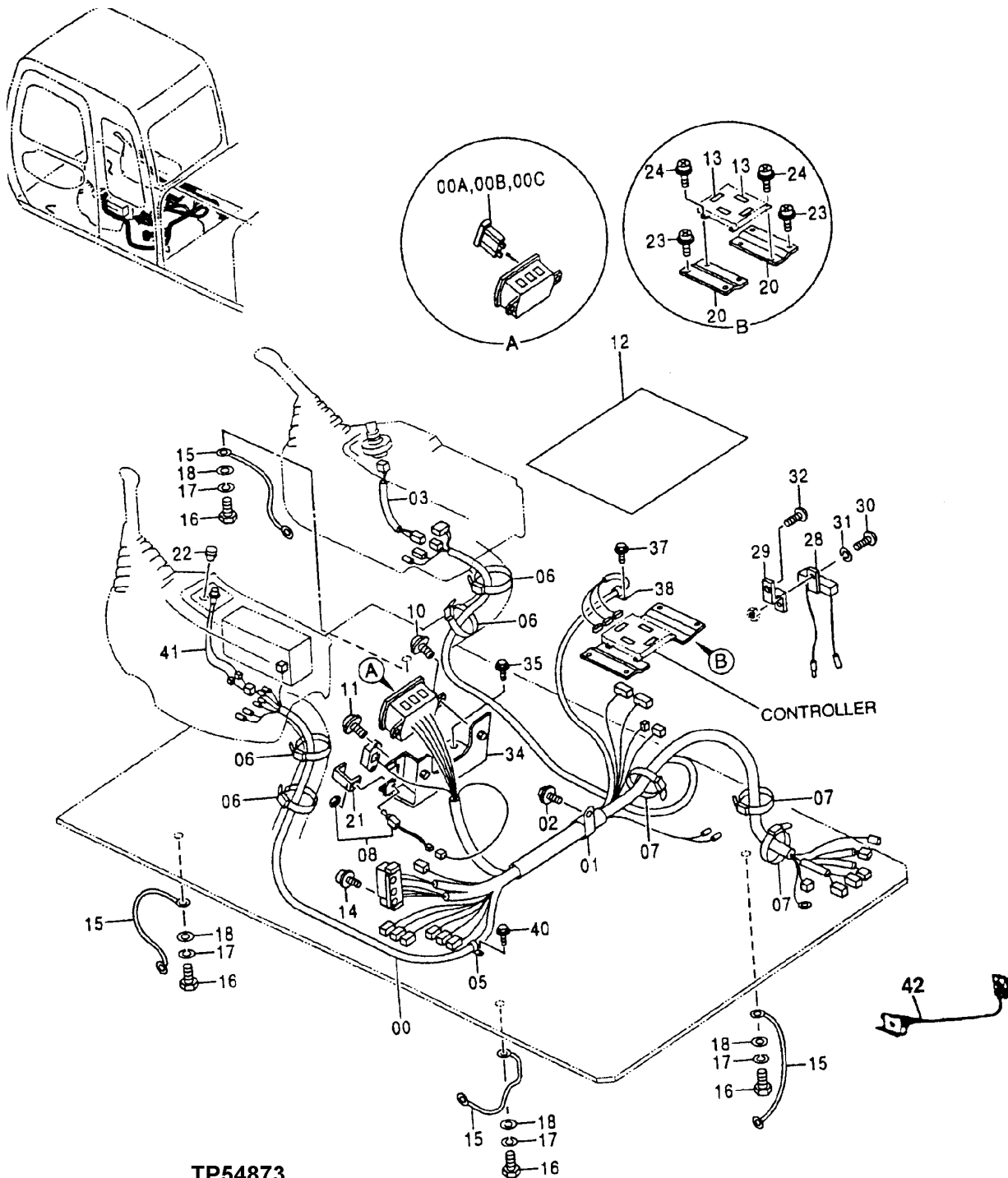
TP61538 -UN-15APR99



TP61538

TP54873 -UN-10JUN97

ELECTRIC PARTS

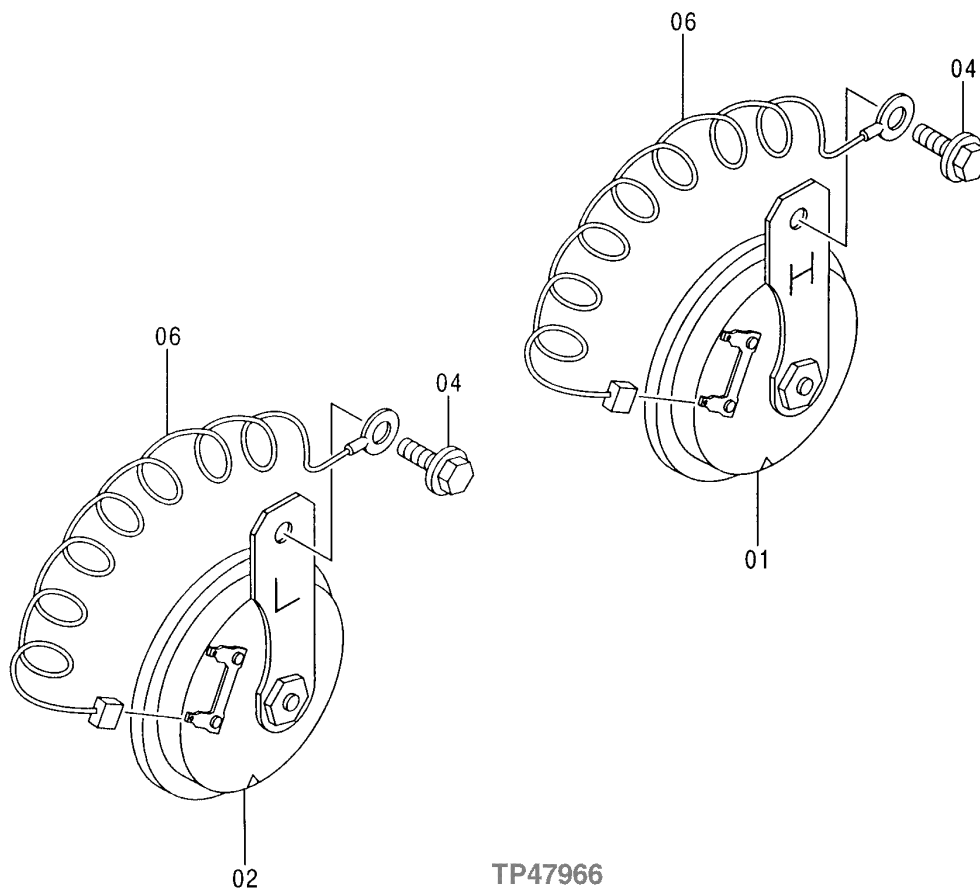
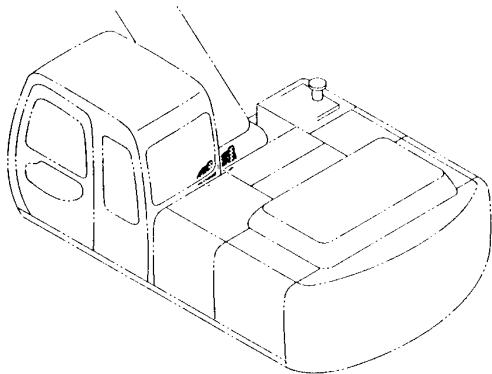


TP54873

TP47966

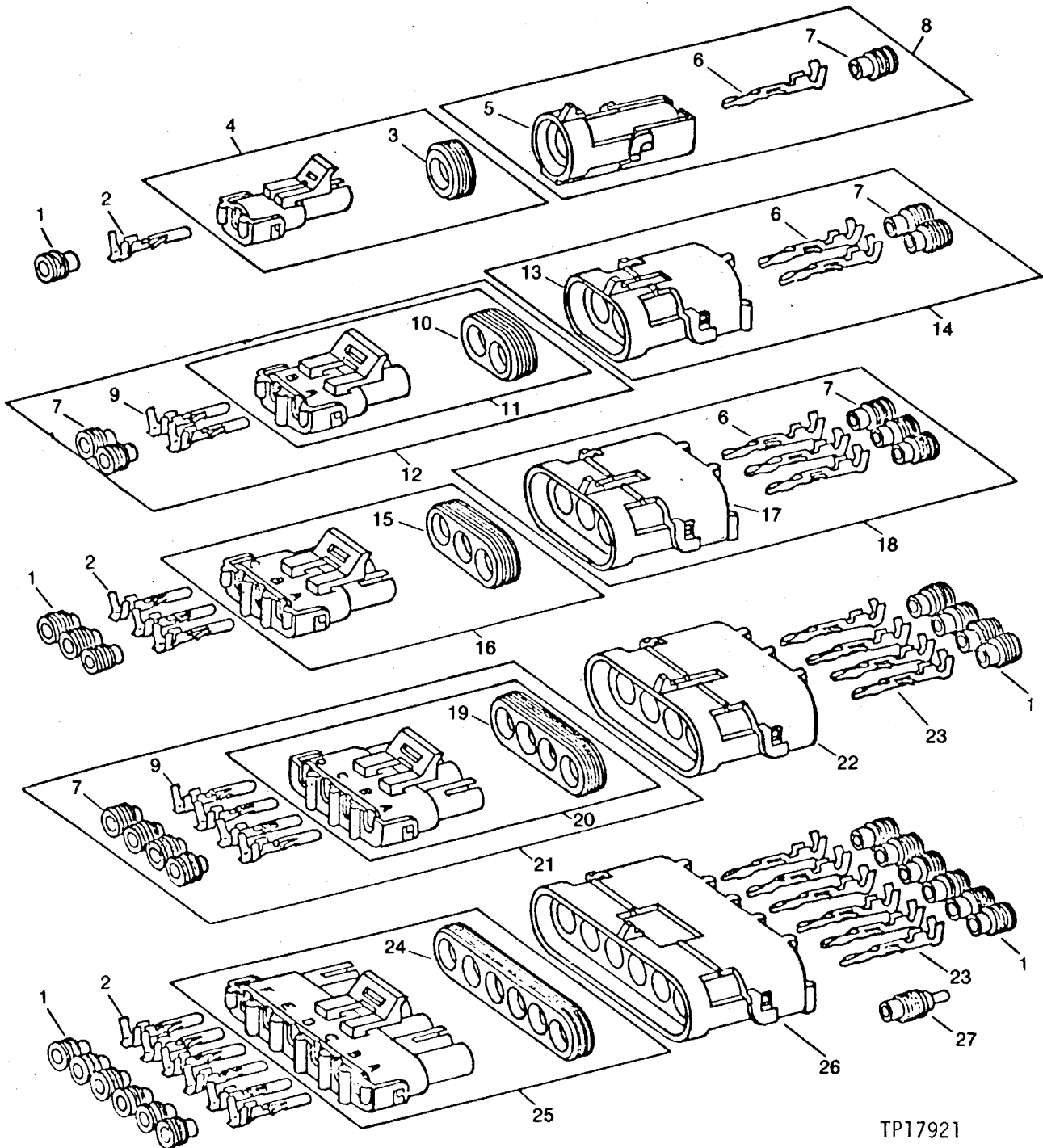
-UN-21MAY96

HORN



TP17921 -UN-01JAN94

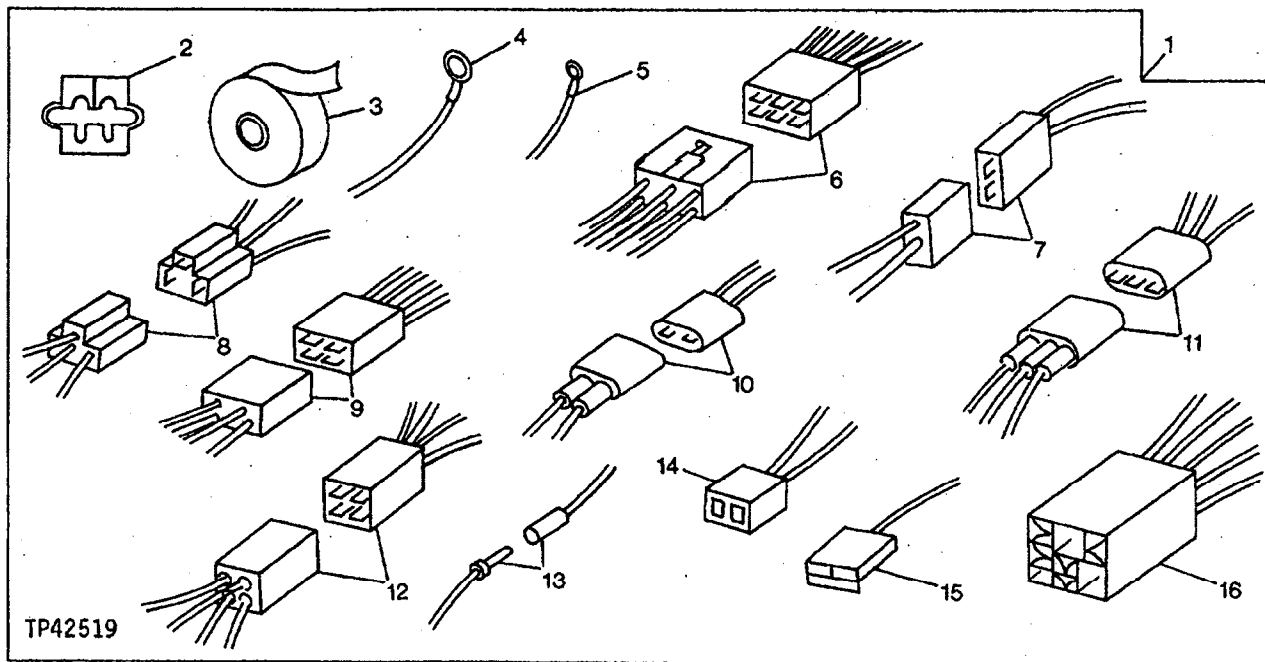
WEATHERPACK TERMINALS AND CONNECTORS



TP17921

TP42519 -UN-01JAN94

WIRING HARNESS KIT

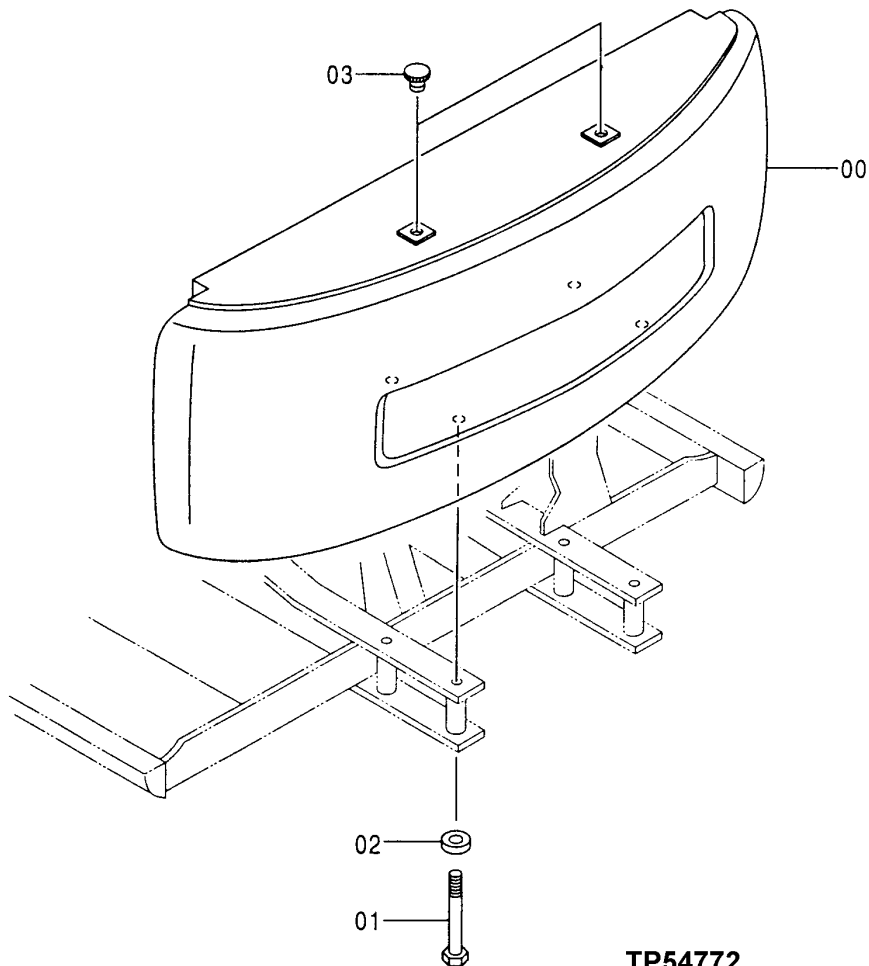
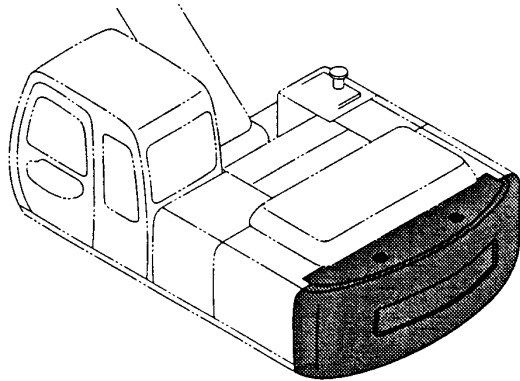


KEY	PART NO.	PART NAME	QTY	SERIAL NO.	REMARKS
1	AT160368	KIT	1		
2	CONNECTOR	100		
3	TAPE	1		(BLACK)
4	EYELET	2		
5	EYELET	2		
6	CONNECTOR	1		(6 WIRES)
7	CONNECTOR	1		(2 WIRES)
8	CONNECTOR	1		(3 WIRES)
9	CONNECTOR	1		(4 WIRES)
10	CONNECTOR	4		(2 WIRES)
11	CONNECTOR	2		(3 WIRES)
12	CONNECTOR	1		(4 WIRES)
13	CONNECTOR	2		(BULLET)
14	CONNECTOR	3		
15	CONNECTOR	2		
16	CONNECTOR	2		(5 WIRES)

TP54772

-UN-03JUN97

COUNTERWEIGHT (230LCR ONLY)

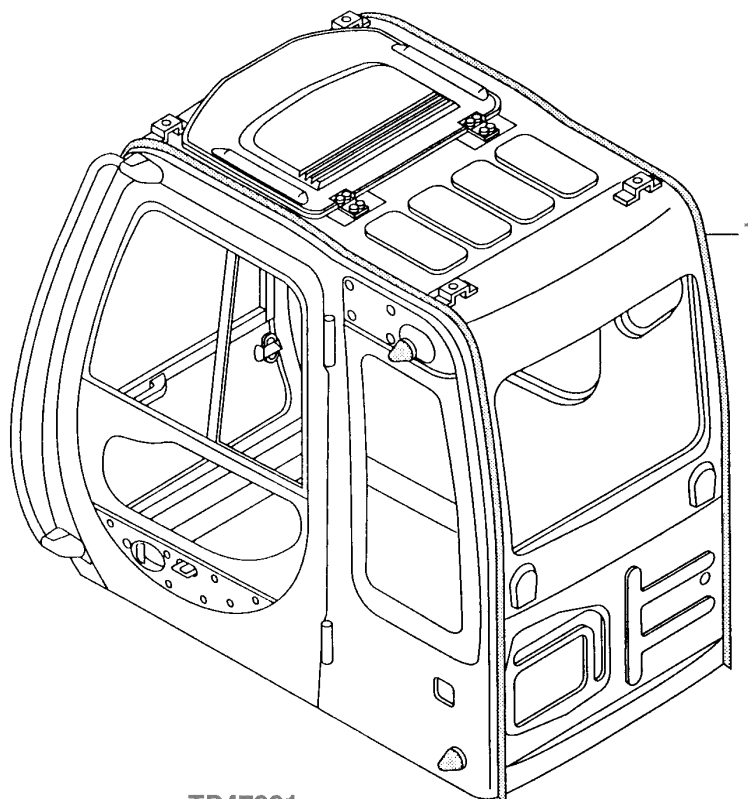
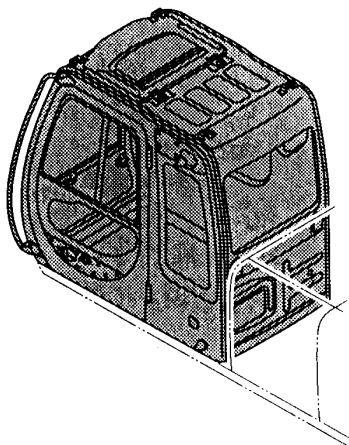


TP54772

TP47991

-UN-22MAY96

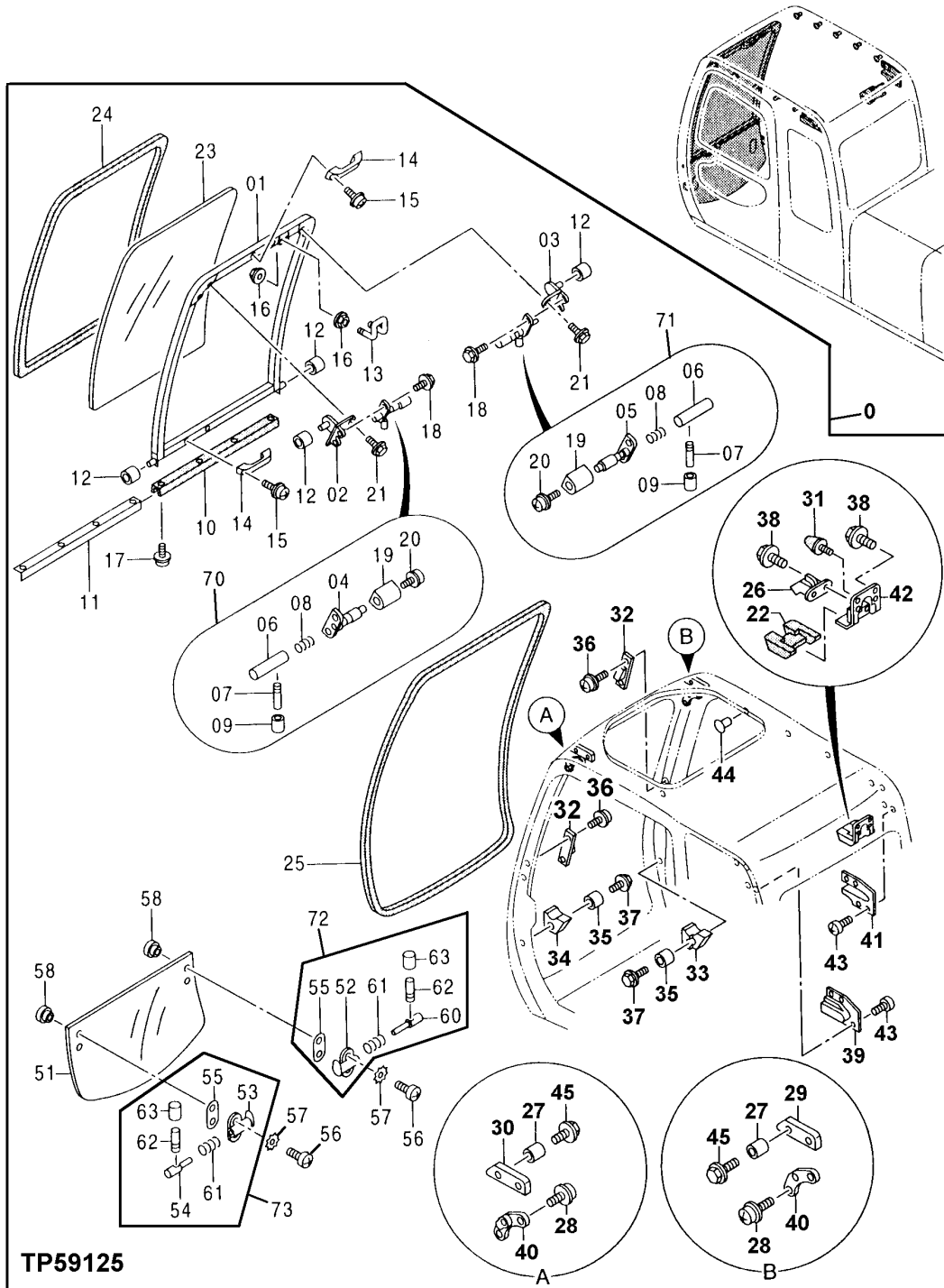
CAB



TP47991

TP59125 -UN-12MAY98

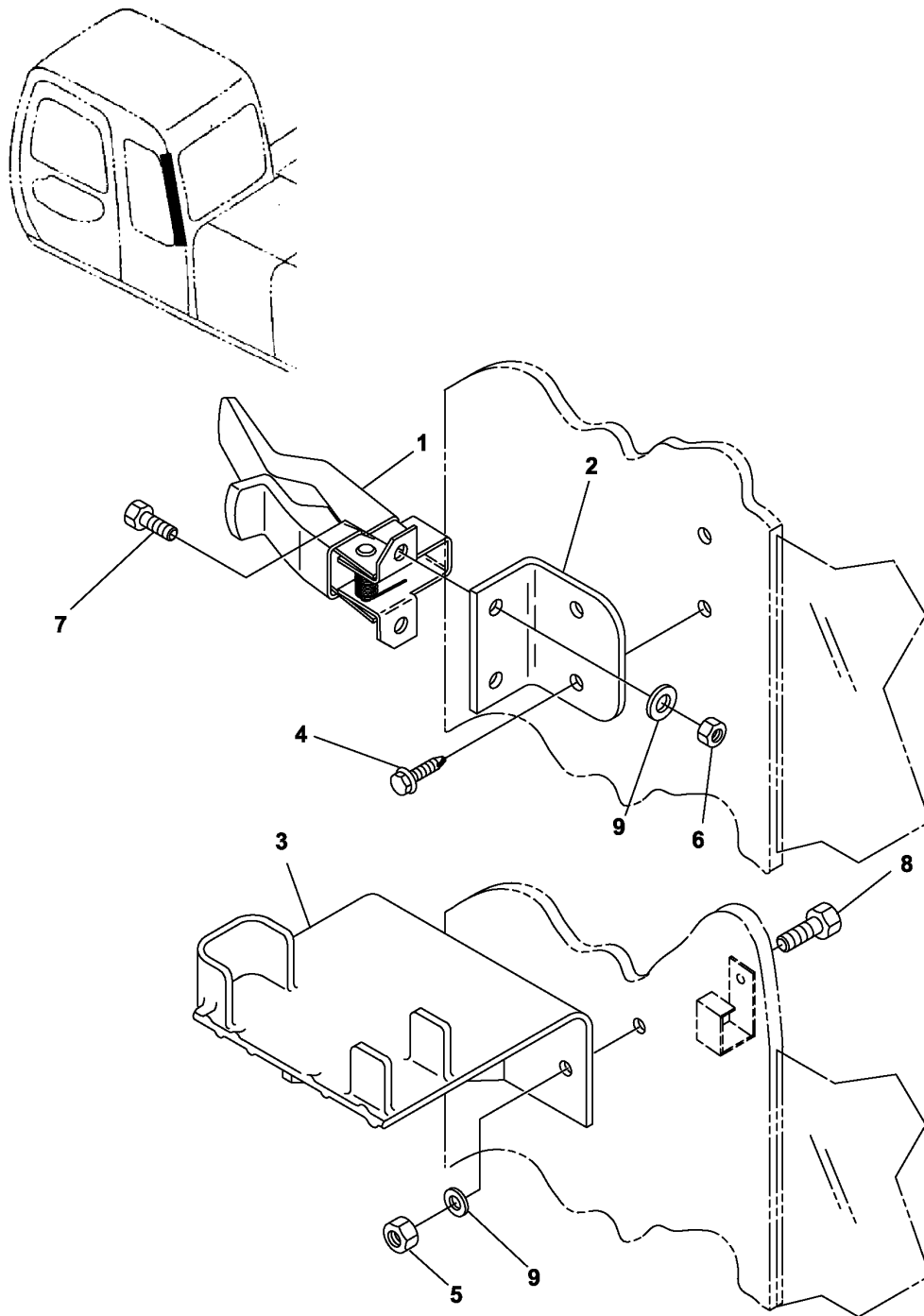
CAB COMPONENTS



TP66751

-UN-21OCT99

CAB COMPONENTS (RIFLE RACK)

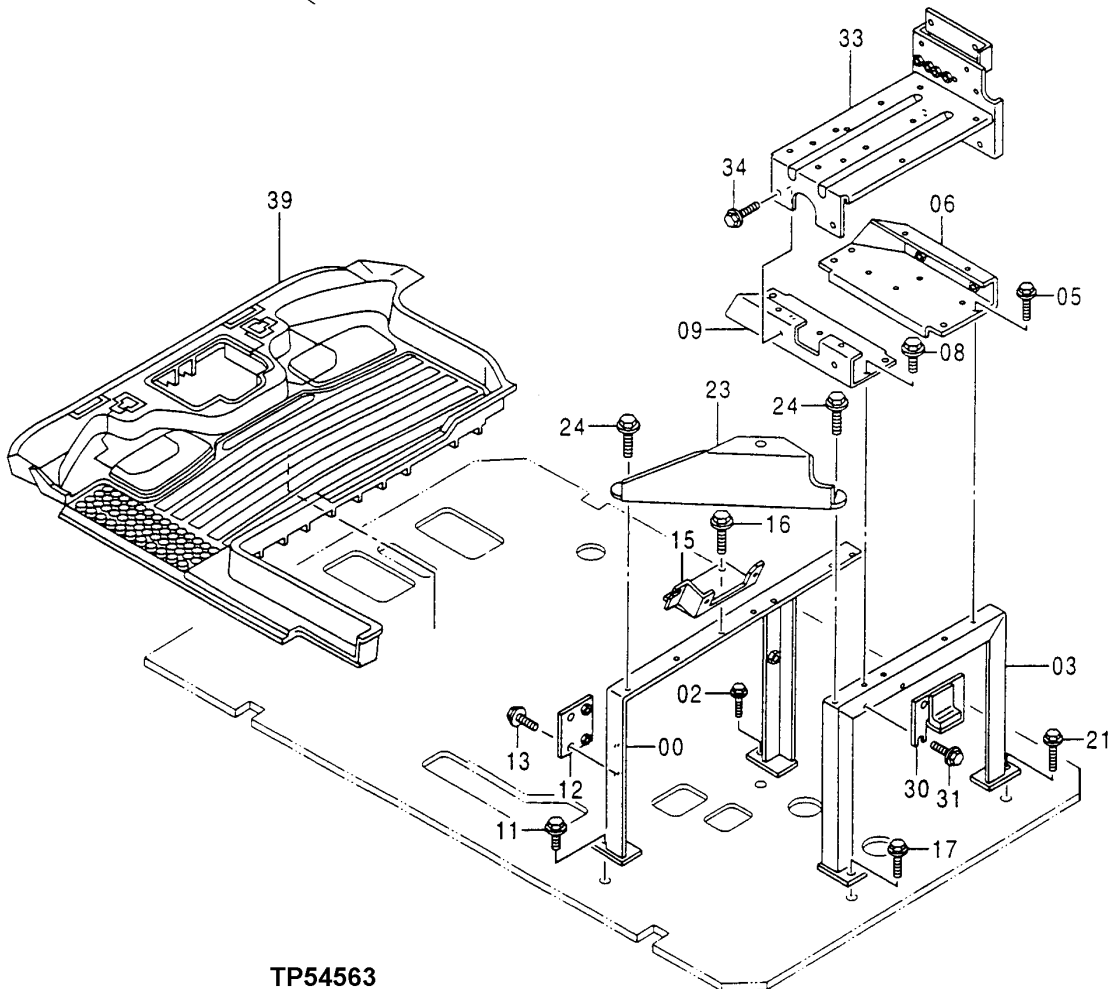
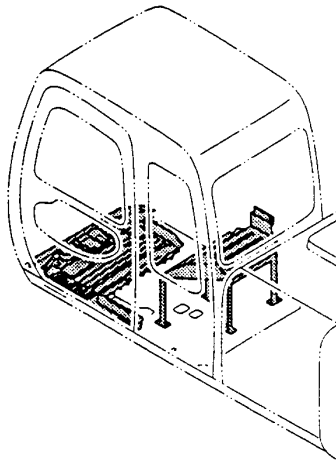


TP66751

TP54563

-UN-14FEB97

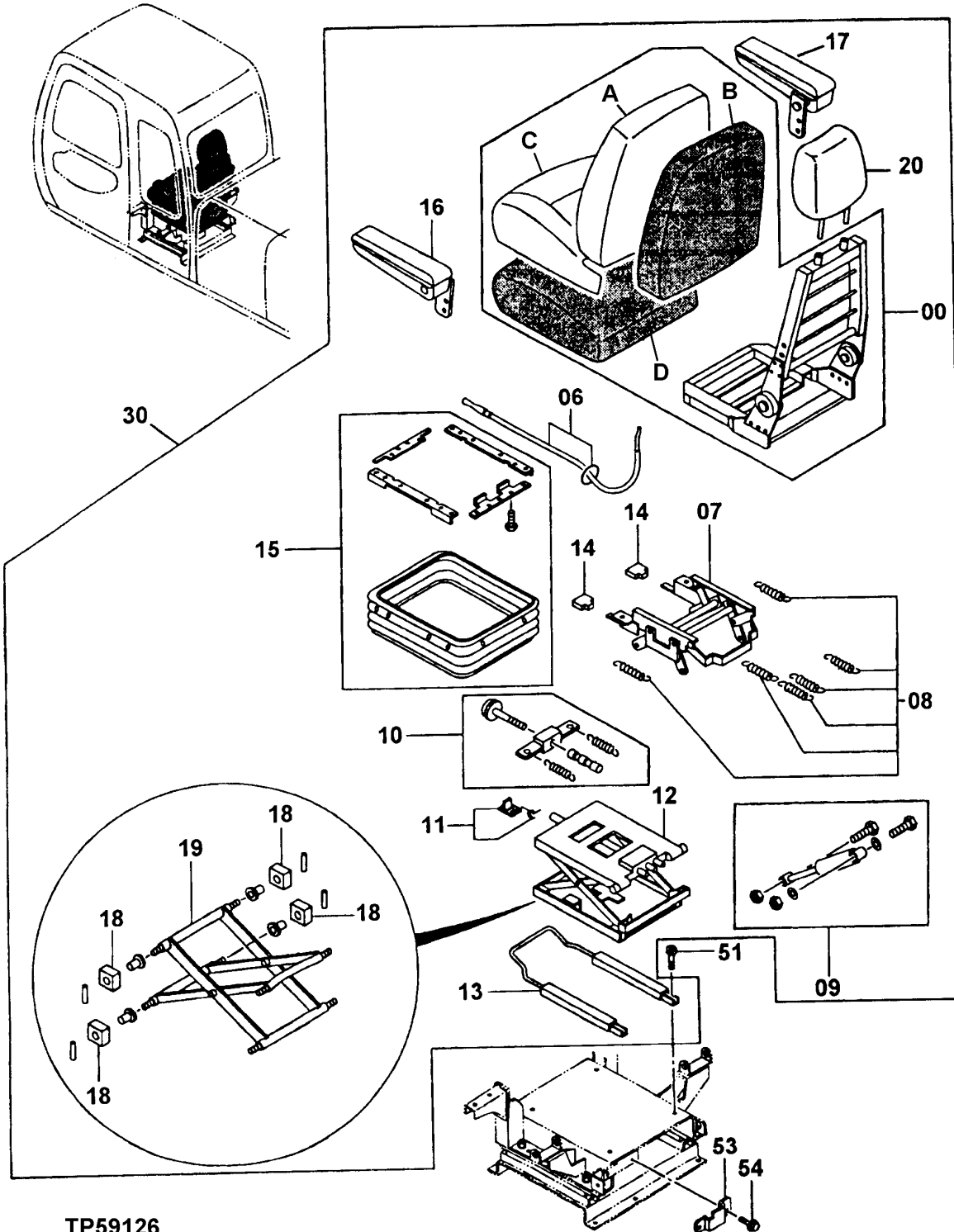
CAB FLOOR PARTS



TP54563

TP59126 -UN-13MAY98

SEAT ASSEMBLY

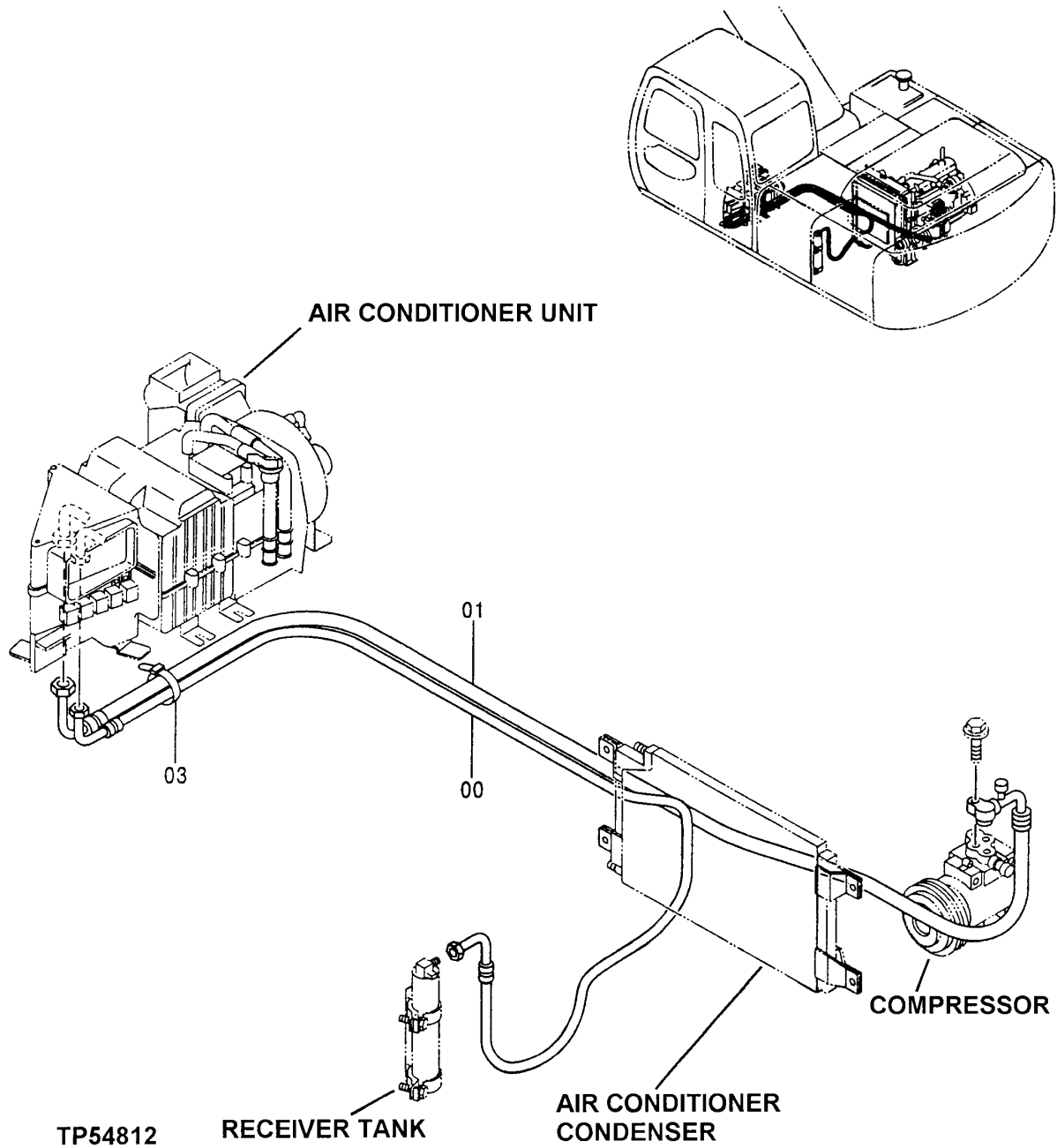


TP59126

TP54812

-UN-05JUN97

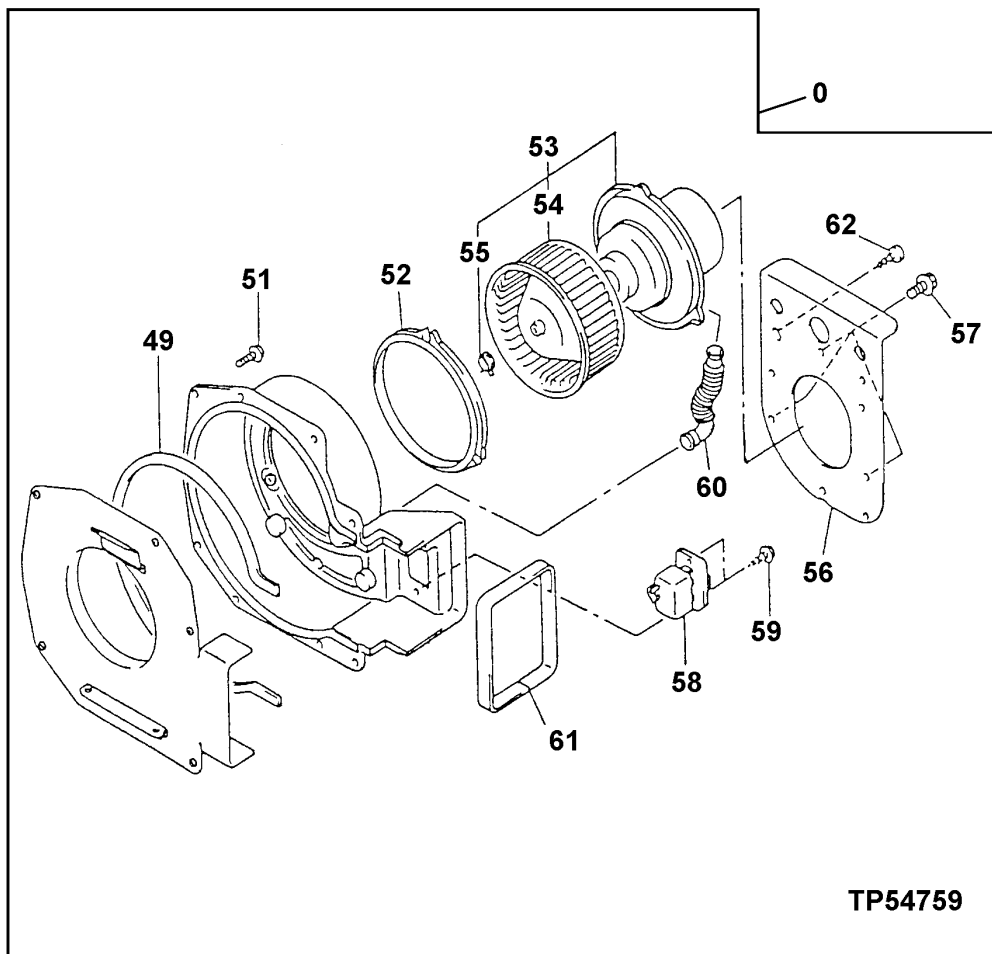
AIR CONDITIONER PIPING



TP54759

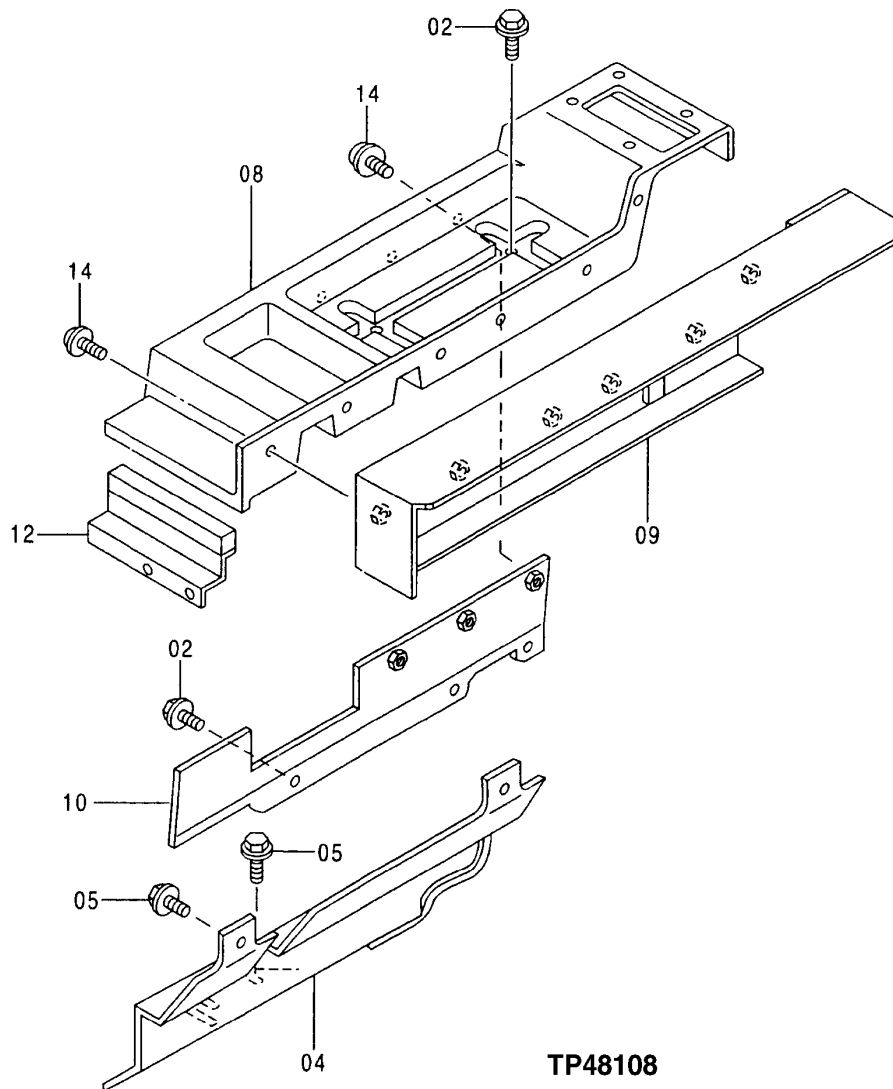
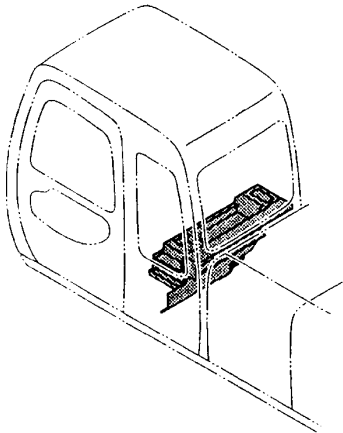
-UN-22APR97

AIR CONDITIONER BLOWER



TP48108 -UN-05AUG96

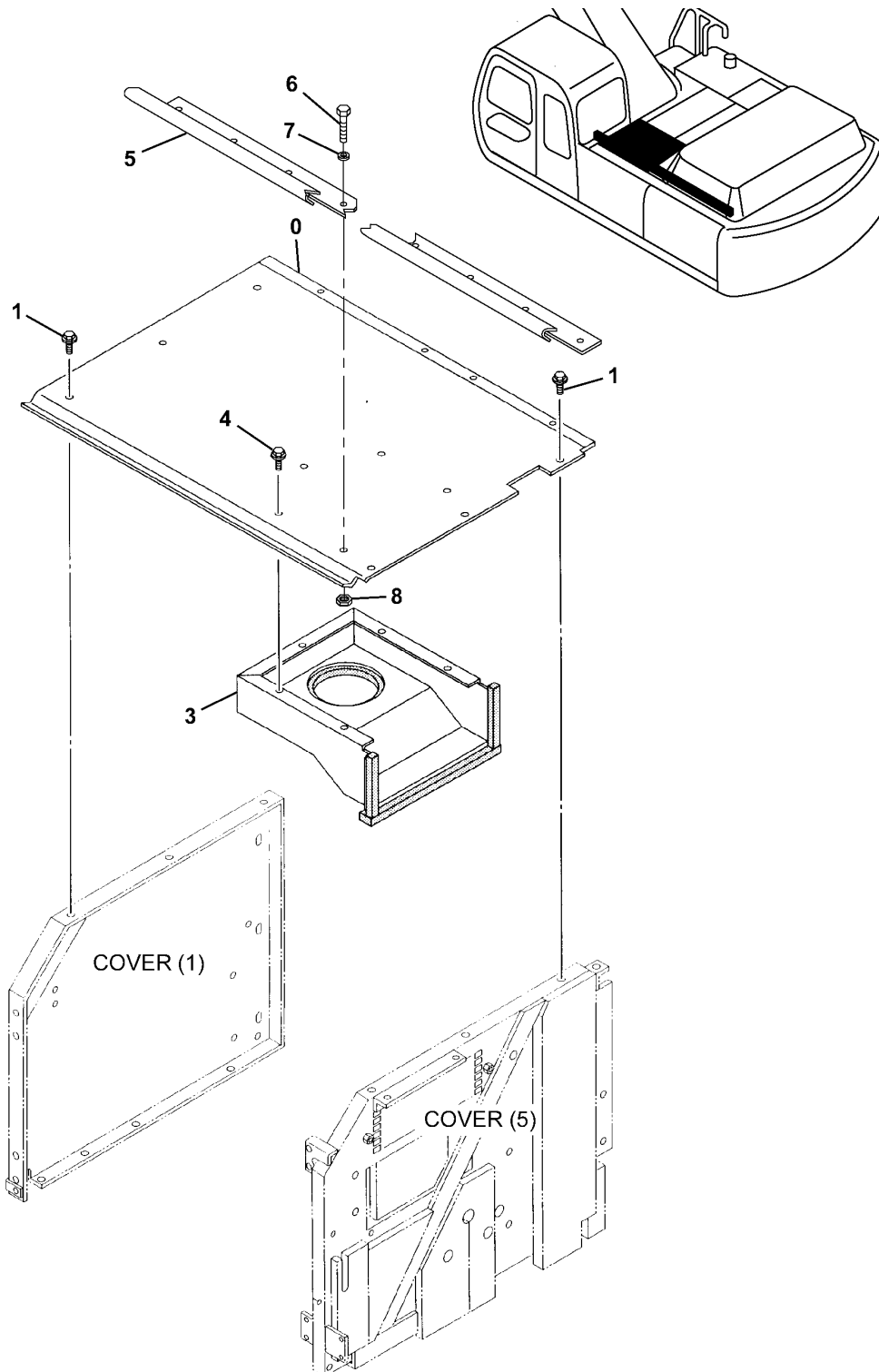
REAR TRAY
(FOR UNITS WITH HEATER)



TP48108

TP66940 -UN-27OCT99

COVER



TP66940

CLICK HERE TO **DOWNLOAD** THE COMPLETE MANUAL

- Thank you very much for reading the preview of the manual.
- You can download the complete manual from: www.heydownloads.com by clicking the link below



- Please note: If there is no response to CLICKING the link, please download this PDF first and then click on it.

CLICK HERE TO **DOWNLOAD** THE COMPLETE MANUAL