



*Bendi*  
**BENDI SERIES IV  
PARTS LIST**



**1900 NORTH STREET  
MARYSVILLE, KANSAS 66508  
(785) 562-5381**

CLICK HERE TO **DOWNLOAD** THE COMPLETE MANUAL

- Thank you very much for reading the preview of the manual.
- You can download the complete manual from: [www.heydownloads.com](http://www.heydownloads.com) by clicking the link below



- Please note: If there is no response to CLICKING the link, please download this PDF first and then click on it.

CLICK HERE TO **DOWNLOAD** THE COMPLETE MANUAL

## COUNTERWEIGHT AND COVER ASSEMBLY

ITEM	PART NO.	DESCRIPTION	QTY.
1	101967	NUT, HEX JAM M10 X 1.5 GRB	3
2	106803	COVER, FRONT ROTATION	1
3	107199	KNOB, TAPERED BLACK	3
4	108797	WASHER, INTERNAL TOOTH LOCKING 1/4	REF
5	110427	PIN, HITCH 1-1/8	1
6	110-7389	WASHER, FLAT 1" SAE	3
7	110843	SCREW, BUTTON HEAD CAP 5/16-18 X 3/4	7
8	115958	SCREW, BUTTON HEAD 1/4-20 X 1/2	REF
9	119001	COUNTERWEIGHT LH (B35, B40)	1
	128851	COUNTERWEIGHT LH (B25, B30)	1
10	119003	COUNTERWEIGHT RH (B35, B40)	1
	128852	COUNTERWEIGHT RH (B25, B30)	1
11	120132	COUNTERWEIGHT REAR (B40)	1
	120133	COUNTERWEIGHT REAR (B30)	1
	109014	COUNTERWEIGHT REAR (B35)	1
	109042	COUNTERWEIGHT REAR (B25)	1
12	121421	LEVER, CONTROL LIFT	1
13	121571	LEVER, CONTROL TILT/SIDESHIFT	2
14	121715	COVER, CONTROL VALVE (B35, B40)	1
	120139	COVER, CONTROL VALVE (B25, B30)	1
15	127100	FRAME WELDMENT (B40)	REF
	128844	FRAME WELDMENT (B25, B30)	REF
16	127627	WASHER, INTERNAL TOOTH LOCKING 5/16	7
17	128313	COVER, COLUMN PIPING	REF
18	1-647-010004255	ROLL PIN, SLOTTED 3/8 X 2	1
19	1-654-010125-13	SCREW, HEX HEAD CAP 1-8 X 4 GR8	4
20	1-654-010125-18	SCREW, HEX HEAD CAP 1-8 X 6-1/2 GR8	3
21	1-861-010032-09	WASHER, FLAT 5/16W	7
22	1-861-010034-21	WASHER, SPLIT LOCK 1"	7
23	1-861-010032-07	WASHER, FLAT 1/4	REF
24	106955	SCREW, BUTTON HEAD CAP 1/4-20 X 3/4	REF
25	107539	SCREW, PAN HEAD #6-32 X 1/2	4

## **POWER STEERING MOTOR HYDRAULIC ASSEMBLY**

<b>ITEM</b>	<b>PART NO.</b>	<b>DESCRIPTION</b>	<b>QTY.</b>
1	123908	ADAPTER, CONNECTOR (B25, B30)	1
	0018104	ADAPTER, LIFT PUMP PRESSURE (B35, B40)	1
2	1-654-010049-05	SCREW, HEX HEAD CAP 5/16-18 X 1 GR5	18
3	1-654-010055-03	SCREW, HEX HEAD CAP 1/2-13 X 1-1/2 GR5	4
4	1-861-010032-09	WASHER, FLAT 5/16W	18
5	1-861-010032-15	WASHER, FLAT 1/2W	4
6	1-861-010034-10	WASHER, SPLIT LOCK 5/16	18
7	1-861-010034-11	WASHER, SPLIT LOCK 3/8	8
8	1-861-010034-13	WASHER, SPLIT LOCK 1/2	4
9	104400	ISOLATION PAD, MOTOR MOUNTS	2
10	108417	NUT, SPIRALOCK HEX FLANGE 1/4-20	3
11	110-0010	SCREW HEX HEAD CAP 3/8-24 X 1-1/4	4
12	120103	PLATE, STEERING MOTOR MOUNT	1
13	123907	ADAPTER, 45 ELBOW	1
14	130608	ADAPTER, 45 ELBOW (PRIOR 03/01/2004)	1
	123909	ADAPTER, 45 ELBOW (AFTER 03/01/2004)	1
15	125893	CLAMP, CABLE 1/2 SST	3
16	130607	HOSE, 22"	1
17	128863	MOTOR, ELEC. STEER 8.3 HP (SEE PAGE 1-51)	1
18	130739	PUMP, HYD HP STEERING (SEE PAGE 1-58)	1
19	129934	TUBE, STEERING PUMP TO VALVE BODY (B25, B30)	1
	129422	TUBE, STEERING PUMP TO VALVE BODY (B35, B40)	1

## **OVERHEAD GUARD, ALARM, AND LIGHTING ASSEMBLY**

<b>ITEM</b>	<b>PART NO.</b>	<b>DESCRIPTION</b>	<b>QTY.</b>
49	0030021	ALARM, VOICE BACKUP	
50	130162	HARNESS, DASH SW 48V (NOT SHOWN)	1

**NOTE: QUANTITIES NOT SHOWN ON ITEMS 13-42 DUE TO VARIETY OF COMBINATIONS WITH LIGHT KIT OPTIONS.**

### **ALARM AND LIGHT KITS**

123895	KIT, 12V HEADLIGHT (INCL ITEMS 13-25,40)
123896	KIT, 12V TAIL LIGHT (INCL ITEMS 13-15,23-34,41)
123897	KIT, 12V STROBE (INCL ITEMS 13-15,21,23-25,27,32,34-37,42)
123898	KIT, 12V REVERSE STROBE (INCL ITEMS 13-15,21,23-25,27,32,34-36,38-39,42)
123899	KIT, 12V HDLT/TAIL LIGHT (INCL ITEMS 13-34,40-41)
123900	KIT, 12V HEAD/TAIL/STROBE (INCL ITEMS 13-37,40-42)
123901	KIT, 12V HEAD/TAIL/REVERSE STROBE (INCL ITEMS 13-36,38-39,40-42)
123902	KIT, 12V HEADLIGHT/ STROBE (INCL ITEMS 13-25,27,32,34-37,40,42)
123903	KIT, 12V HEADLIGHT/REV STROBE (INCL ITEMS 13-25,27,32,34-36,38-39,40,42)
123904	KIT, 12V TAIL LIGHT/STROBE (INCL ITEMS 13-15,21,23-37,41-42)
123905	KIT, 12V TAIL LIGHT/REV STROBE (INCL ITEMS 13-15,21,23--36,38-39,41-42)
123917	KIT, BEEPING BACKUP ALARM
123918	KIT, TALKING BACKUP ALARM
123894	KIT, 12V CONVERTER

## DRIVE WHEEL ASSEMBLY

ITEM	PART NO.	DESCRIPTION	QTY.
	131400	WHEEL OFFSET WELD, 6" SM KRT	
	131401	WHEEL OFFSET WELD, 6" NM MAXMATIC	
	131402	WHEEL OFFSET WELD, 6" SM POLY	
	131403	WHEEL OFFSET WELD, 6" MAXMATIC	
	131404	WHEEL OFFSET WELD, 6" SM NM KRT	
	131405	WHEEL OFFSET WELD, 7" SM KRT	
	131406	WHEEL OFFSET WELD, 7" NM MAXMATIC	
	131407	WHEEL OFFSET WELD, 7" SM POLY	
	131408	WHEEL OFFSET WELD, 7" MAXMATIC	
	131409	WHEEL OFFSET WELD, 7" SM NM KRT	
	131410	WHEEL OFFSET WELD, 7" SPECIAL B & Q	
	131411	WHEEL OFFSET CAST 6" SM KRT	
	131412	WHEEL OFFSET CAST 6" NM MAXMATIC	
	131413	WHEEL OFFSET CAST 6" SM POLY	
	131414	WHEEL OFFSET CAST 6" MAXMATIC	
	131415	WHEEL OFFSET CAST 6" SM NM KRT	
	131416	WHEEL OFFSET CAST 7" SM KRT	
	131417	WHEEL OFFSET CAST 7" NM MAXMATIC	
	131418	WHEEL OFFSET CAST 7" SM POLY	
	131419	WHEEL OFFSET CAST 7" MAXMATIC	
	131420	WHEEL OFFSET CAST 7" SM NM KRT	
	131421	WHEEL OFFSET CAST 7" SPECIAL B & Q	
1	131364	WHEEL WELDMENT, BREVINI 6"	2
	131365	WHEEL WELDMENT, BREVINI 7"	2
	131366	WHEEL, CAST SER4 BREVINI 6"	2
	131367	WHEEL, CAST SER4 BREVINI 7"	2
2	0010998	TIRE, 18 X 7 - 12-1/8, PRESS-ON	2
	0011003	TIRE, 18 X 7 - 12-1/8, PRESS-ON NON MARKING	2
	0012566	TIRE, PRESS-ON, POLY 18 X 7	2
	106487	TIRE, PRESS-ON, SMOOTH, KRT, 18 X 7	2
	106489	TIRE, PRESS-ON, SM, KRT, NON-MARK. 18 X 7	2
	110520	TIRE, PRESS-ON, SMOOTH, KRT, 18 X 6	2
	111991	TIRE, PRESS-ON, MAXMATIC NM 18 X 6	2
	111993	TIRE, PRESS-ON, POLY 18 X 6	2
	111990	TIRE, PRESS-ON, MAXMATIC 18 X 6	2
	111983	TIRE, PRESS-ON, KRT, SM NM 18 X 6	2
	102044	TIRE, PRESS-ON, SPECIAL	2

## POSITION SENSOR ASSEMBLY

ITEM	PART NO.	DESCRIPTION	QTY.
	128665	ASSEMBLY, POSITION SENSOR	
1	1-512-010003-03	NUT, HEX LOCK #8-32	1
2	1-512-010007-02	NUT, HEX #8-32	4
3	1-654-010100015	SCREW, MACH SLOTTED TRUSS #8-32 X 5/8	2
4	107-0762	SCREW, SLOTTED PAN HEAD #8-32 X 1/2	1
5	111271	HANGER, DEUTSCH CONNECTOR	1
6	127151	ARM, POSITION SENSOR	1
7	127152	MOUNT, ROTATION SENSOR	1
8	127561	SENSOR ROTATION 90	1
9	127769	SPRING, TORSION	1
10	127782	PIN, SPRING SLOTTED 3/16 X 3/4	1
11	127795	SCREW, SET, HEX SOCKET CUP POINT #10-24 X 3/16	1
12	622-2967-005	RECEPTACLE 4 POS MALE	1
13	622-2967-013	PIN, 16-18 AWG, SOLID (NOT SHOWN)	3
14	622-2967-021	WEDGE, 4 POS RECEPTACLE (NOT SHOWN)	1
15	622-2962-009	PLUG, SEALING (NOT SHOWN)	1
16	1-861-010032-08	WASHER, FLAT 5/16	REF
17	127772	BEARING, 3/8 ID X 7/8 OD	REF
18	127770	SCREW, HEX SOCKET SHOULDER 3/8	REF

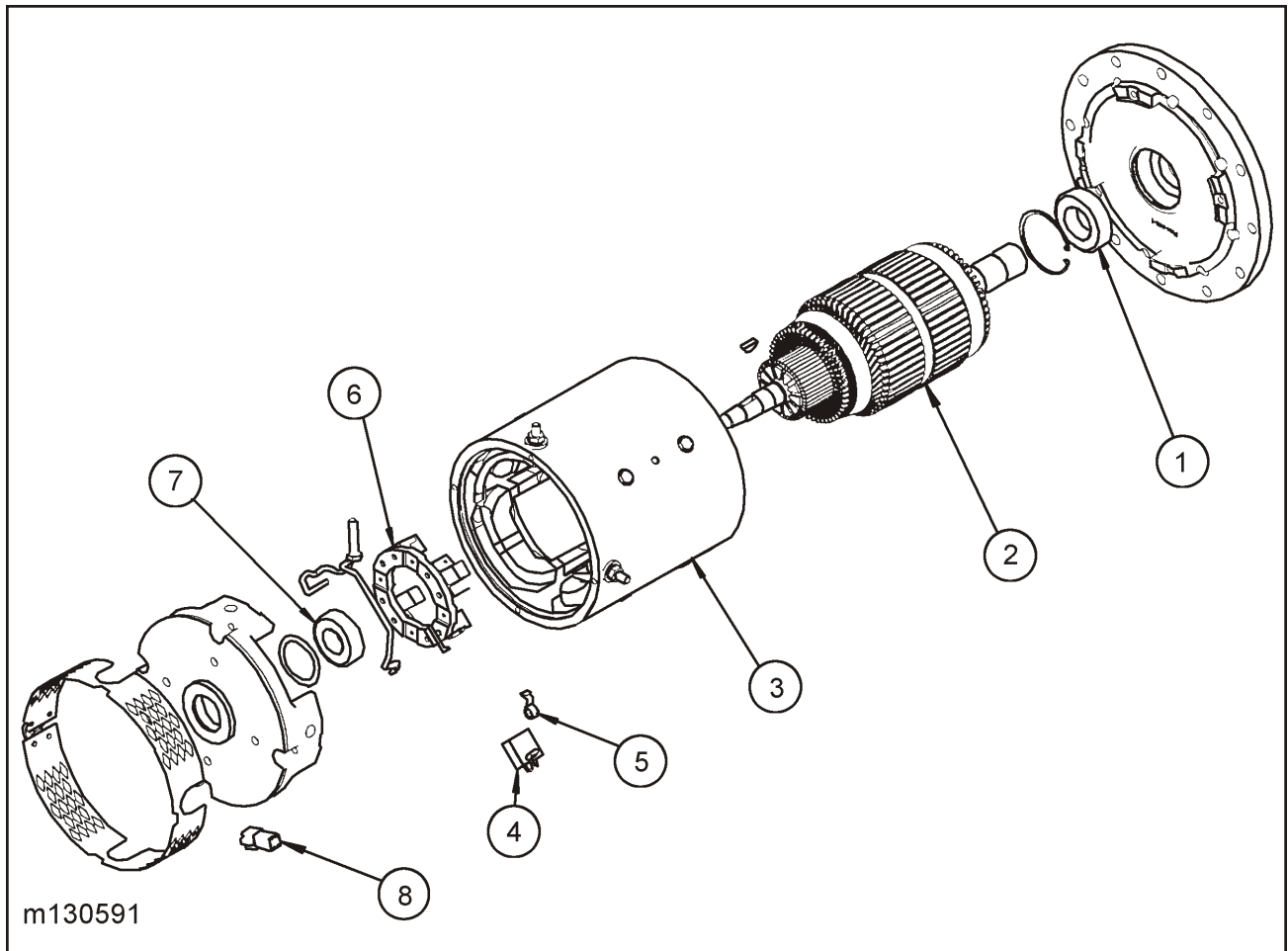


Figure 1-34 Shaft Drive Motor Assembly

### SHAFT DRIVE MOTOR ASSEMBLY, 7.5 KW

ITEM	PART NO.	DESCRIPTION	QTY.
	130591	MOTOR, DRIVE 7.5KW BREVINI MOUNT	
1	130942	BEARING	1
2	132079	ARMATURE ASSEMBLY	1
3	132080	FRAME AND FIELD ASSEMBLY	4
4	128164	BRUSH WEAR INDICATOR SERVICE PKG	4
5	128165	BRUSH SPRING	1
6	0033011-10	BRUSH BOX ASSEMBLY	1
7	0033015-02	BEARING	1
8	132086	CONNECTOR SERVICE KIT (INCL THERMO SENSOR AND INSTALLATION CLIP)	1

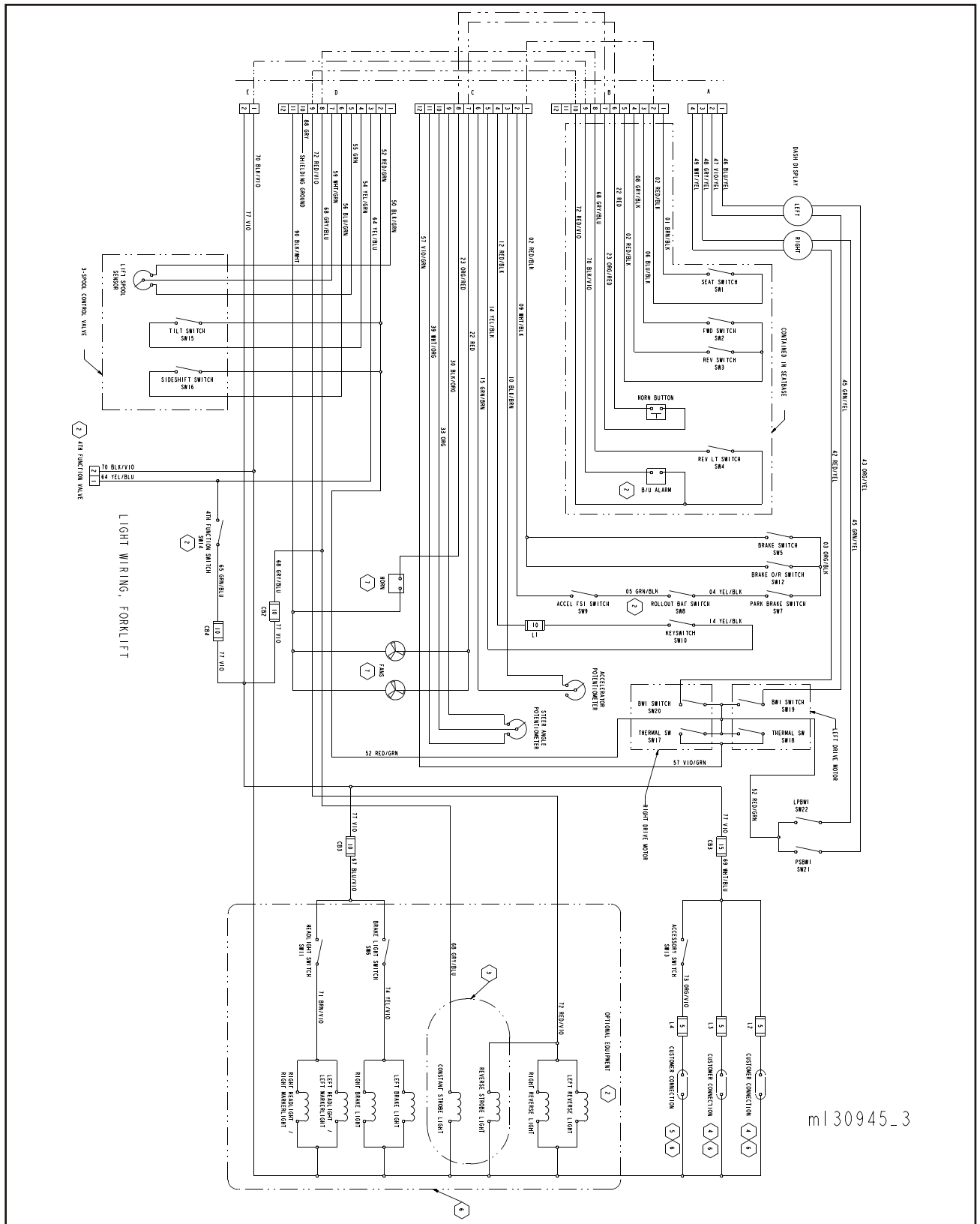


Figure 1-42 Electrical Schematic

## CONTROL PANEL ASSEMBLY

ITEM	PART NO.	DESCRIPTION	QTY.
	129641	CONTROL PANEL, DUAL MOTOR	
1	----	BASE PLATE	1
2	----	BRIDGE, CONTACTOR MOUNTING	1
3	----	MOUNTING PLATE	1
4	----	BUSBAR, LONG B+, 90° TWIST	1
5	----	BUSBAR, LONG B-	1
6	----	INSULATOR, BUSBAR LONG B-	1
7	----	BUSBAR, CONTACTOR - AF LINK	2
8	----	BUSBAR, SHORT B-	3
9	----	BUSBAR, SHORT AF	2
10	----	BUSBAR, SHORT F	2
11	131593	CONTROLLER, SE325	2
12	131594	CONTROLLER, PC325	1
13	131595	CONTROLLER, TPM350-07	1
14	131596	MODULE, PSM 4000-48	1
15	131597	CONTACTOR, 24V - C/W MOUNTING BRACKET	2
16	131598	CONTACTOR, 48V - C/W MOUNTING BRACKET	1
17	----	MOUNTING BRACKET, CONTACTOR	1
18	----	FUSE PANEL, BLADE TYPE, ATC	1
19	40-0917-5	FUSE, BLADE TYPE 32 VDC 5A TAN	2
20	40-0917-10	FUSE, BLADE TYPE 32 VDC 10A RED	2
21	40-0917-30	FUSE, BLADE TYPE 32 VDC 30A GREEN	1
22	131869	FUSE, 200 AMP 125V	2
23	131599	FUSE, 60 AMP 125V	1
24	----	PLASTIC STANDOFF INSULATOR, 1" HEIGHT	6
25	131600	PANEL WIRING HARNESS (NOT SHOWN)	1
26	----	POWER CABLE, 2/0 AWG 7.75" LONG (NOT SHOWN)	2
27	----	POWER CABLE, 4 AWG 9.5" LONG (NOT SHOWN)	1
28	----	POWER CABLE, 2/0 AWG 12" LONG (NOT SHOWN)	1
29	----	POWER CABLE, 4 AWG, 18" LONG (NOT SHOWN)	1
30	----	CABLE CLAMP, NYLON (NOT SHOWN)	3
31	131873	FUSE, 150 AMP 125	1
32	135621	RELAY, PANEL - KEYSWITCH	1
33	123894	KIT, 12V CONVERTER (NOT SHOWN)	1

CLICK HERE TO **DOWNLOAD** THE COMPLETE MANUAL

- Thank you very much for reading the preview of the manual.
- You can download the complete manual from: [www.heydownloads.com](http://www.heydownloads.com) by clicking the link below



- Please note: If there is no response to CLICKING the link, please download this PDF first and then click on it.

CLICK HERE TO **DOWNLOAD** THE COMPLETE MANUAL