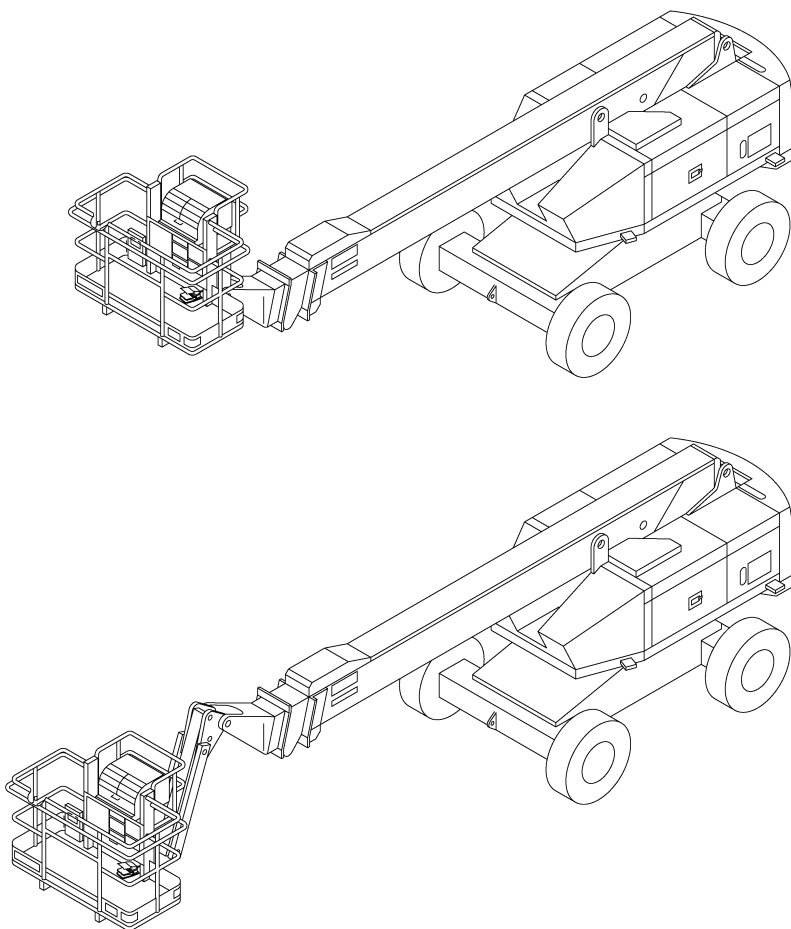




PARTS LIST

MODEL **SP18A**
 SP18AJ
 SP21A
 SP21AJ
 SP25B

Applied Specification
EF0,FF0



8910000

株式会社 **アイチ** コーポレーション
AICHI CORPORATION

CLICK HERE TO **DOWNLOAD** THE COMPLETE MANUAL

- Thank you very much for reading the preview of the manual.
- You can download the complete manual from: www.heydownloads.com by clicking the link below



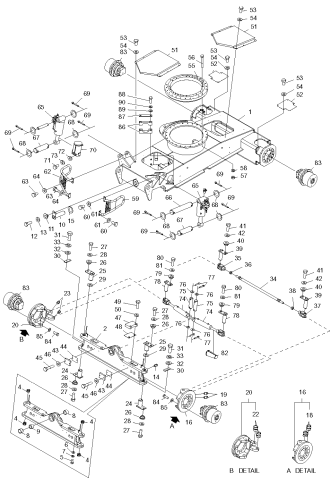
- Please note: If there is no response to CLICKING the link, please download this PDF first and then click on it.

CLICK HERE TO **DOWNLOAD** THE COMPLETE MANUAL

ILLUSTRATIONS INDEX

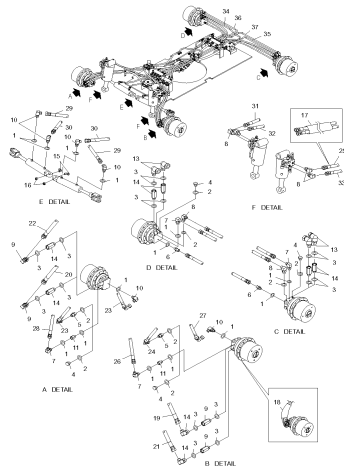
CHASSIS

Gr No.
1-1



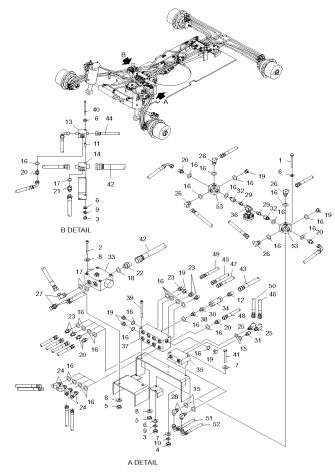
CHASSIS (TUBING)

Gr No.
1-7



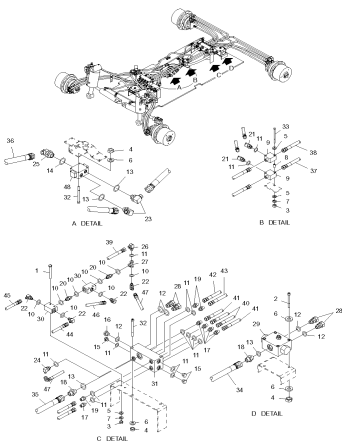
CHASSIS (TUBING)

Gr No.
1-11



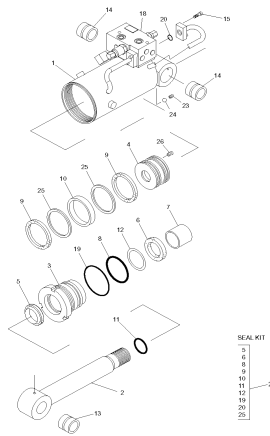
CHASSIS (TUBING)

Gr No.
1-15



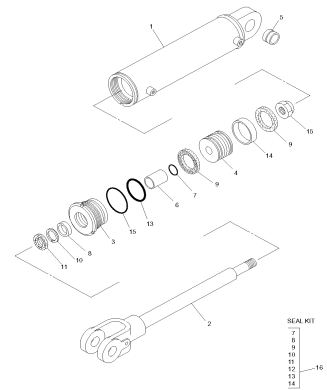
OSCILLATION AXLE CYLINDER

Gr No.
1-19



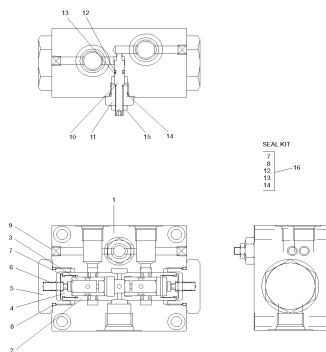
STEERING CYLINDER

Gr No.
1-21



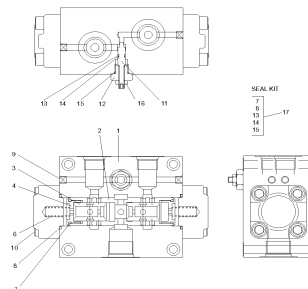
FLOW DIVIDER VALVE

Gr No.
1-23



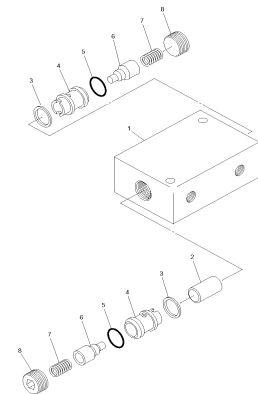
FLOW DIVIDER VALVE

Gr No.
1-25



DOUBLE PILOT CHECK VALVE

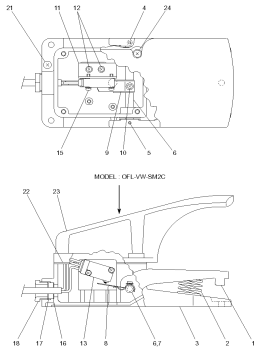
Gr No.
1-27



ILLUSTRATIONS INDEX

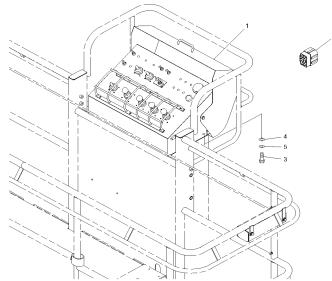
FOOT SWITCH

Gr No.
15-3



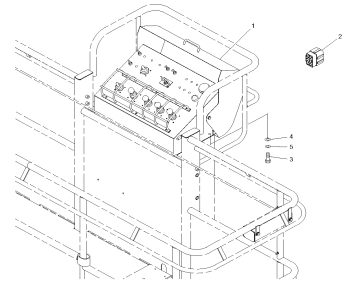
CONTROL UPPER

Gr No.
16-1



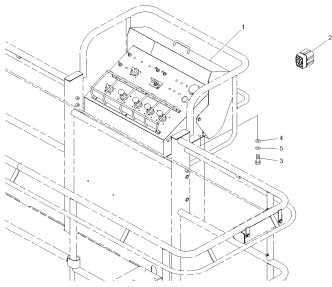
CONTROL UPPER

Gr No.
16-3



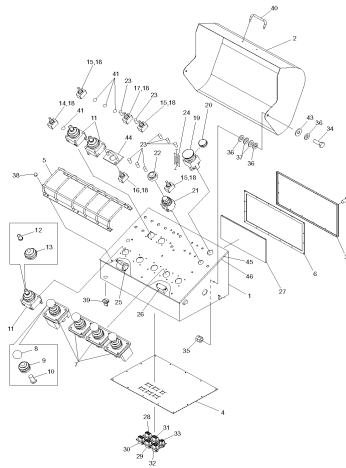
CONTROL UPPER

Gr No.
16-5



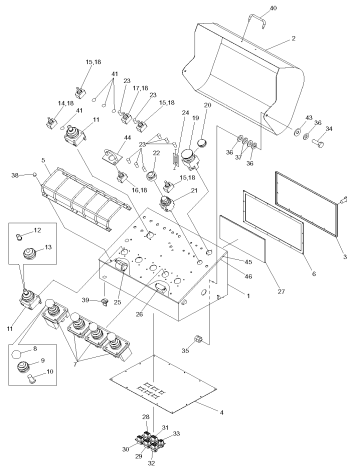
CONTROL BOX (UPPER)

Gr No.
16-7



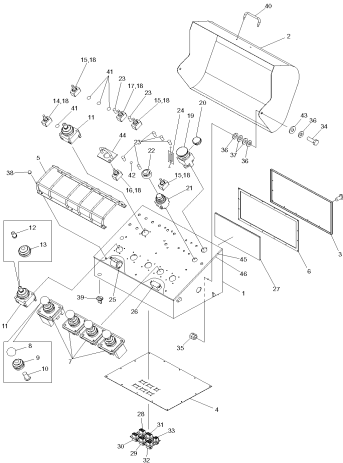
CONTROL BOX (UPPER)

Gr No.
16-11



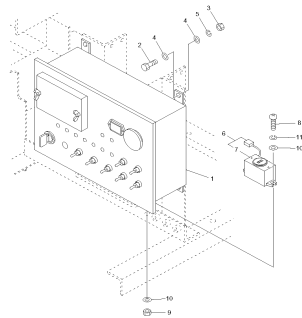
CONTROL BOX (UPPER)

Gr No.
16-15



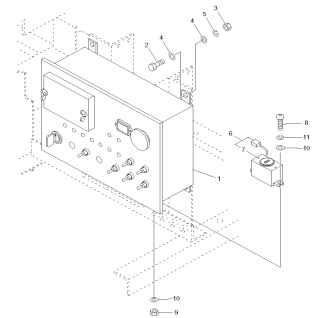
CONTROL LOWER

Gr No.
17-1



CONTROL LOWER

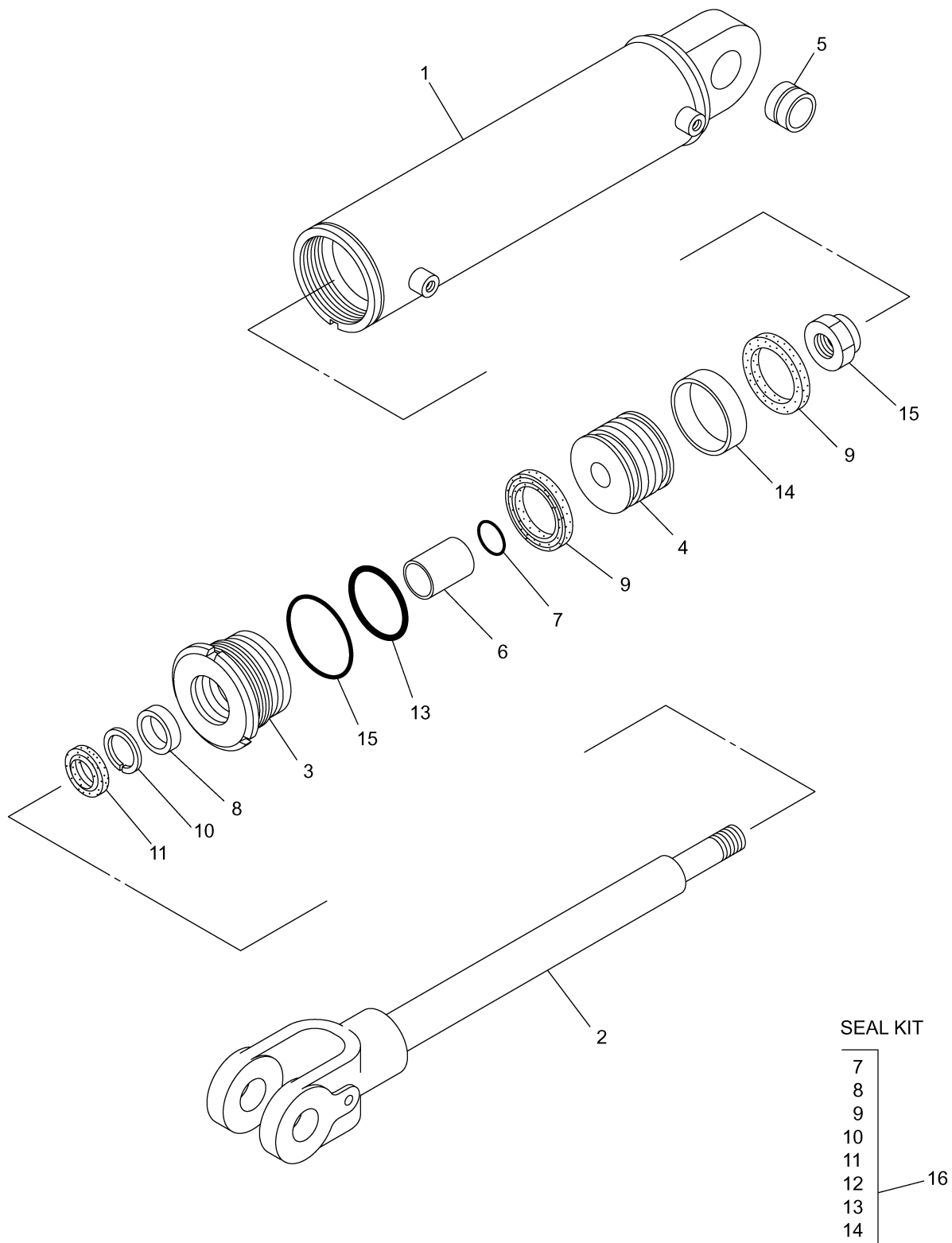
Gr No.
17-3



7E00088600(02)-2/4

Index No.	Level	Part No.	Description	Q'ty	Class	Serial No.	Remarks
1	1	11010110	O-RING	14	C		
2	1	11010140	O-RING	8	C		
3	1	11010180	O-RING	16	C		
4	1	12101003	PLUG	4	C		
5	1	12250103	CONNECTOR	2	C		
6	1	12252102	REDUCER	2	C		
7	1	12270102	ELBOW-90	4	C		
8	1	12270103	ELBOW-90	6	C		
9	1	12270104	ELBOW-90	4	C		
10	1	12272102	REDUCER-90	6	C		
11	1	12341002	BUSHING-G	2	C		
12							
13	1	13211804	ELBOW	4	C		
14	1	4070000239	BUSHING,long	8	C		
15	1	12000101	FITTING,grease	2	C		
16	1	12000201	CAP,fitting-grease	2	C		
17	1	3380000019	HOSE	AR	C		
18	1	3380000020	HOSE	AR	C		
19	1	S3102519	HOSE	1	C		
20	1	S3102515	HOSE	1	C		
21	1	S3102516	HOSE	1	C		
22	1	S3102513	HOSE	1	C		
23	1	10714136	HOSE,nylon	2	C		
24	1	10714140	HOSE,nylon	1	C		
25	1	10710095	HOSE,nylon	1	C		
26	1	10700136	HOSE,nylon	1	C		
27	1	10714157	HOSE,nylon	1	C		
28	1	10700145	HOSE,nylon	1	C		
29	1	10710066	HOSE,nylon	2	C		
30	1	10714047	HOSE,nylon	2	C		
31	1	10710105	HOSE,nylon	1	C		
32	1	10714095	HOSE,nylon	1	C		
33	1	10714140	HOSE,nylon	1	C		
34	1	5E00231900 B	TUBE	1	C		
35	1	5E00232000 A	TUBE	1	C		

STEERING CYLINDER



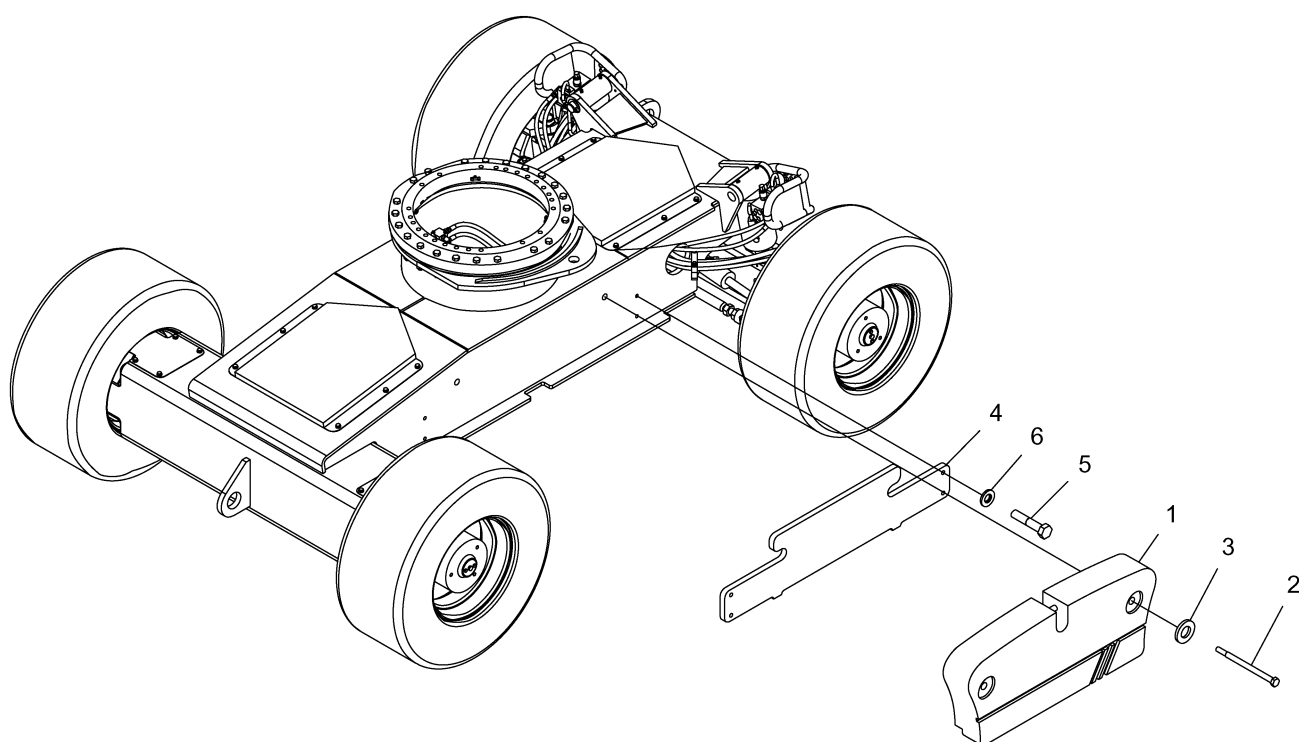
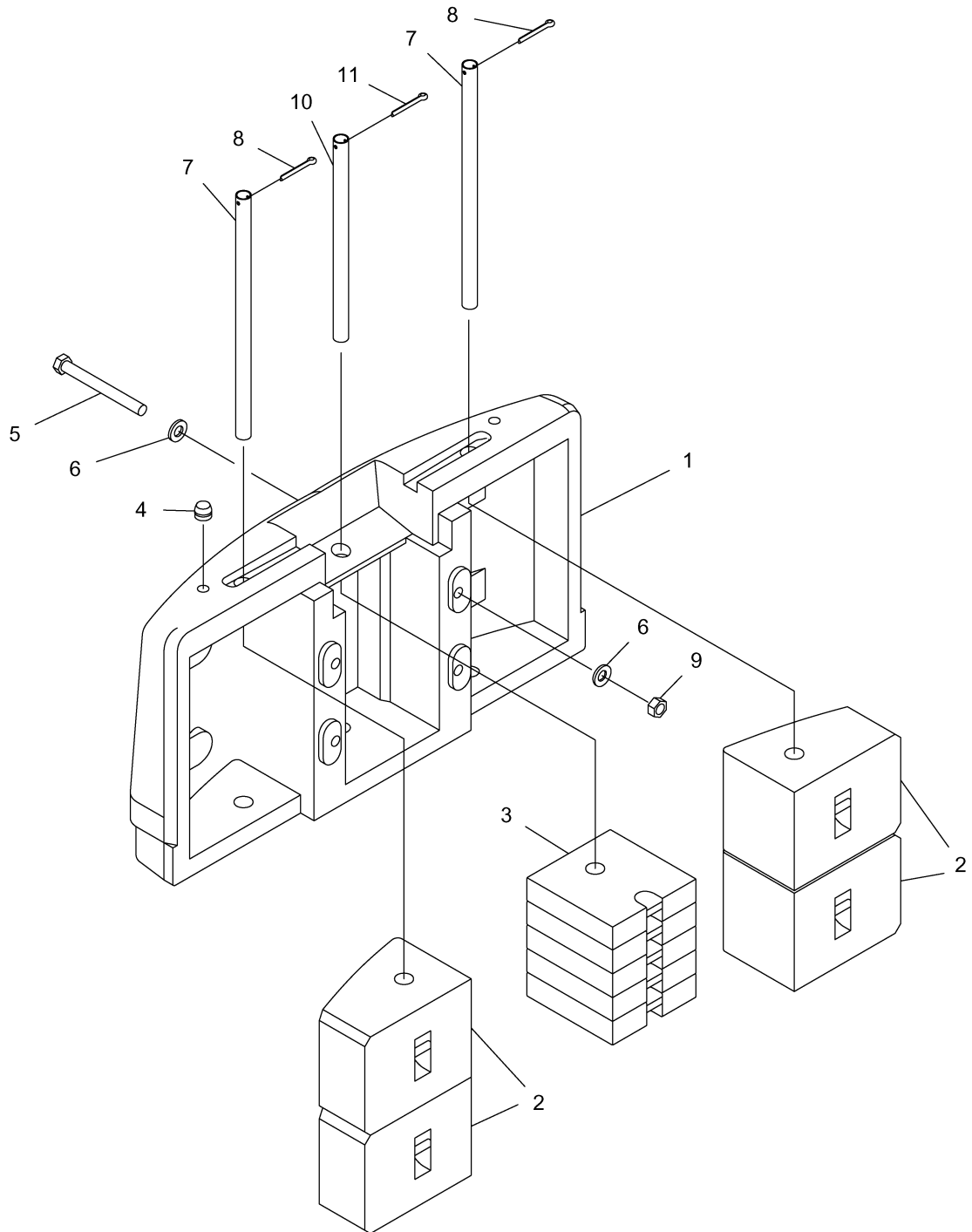


Fig 7F90001600

WEIGHT(TURNTABLE)



7F00013301-1/2

Index No.	Level	Part No.	Description	Q'ty	Class	Serial No.	Remarks
36	1	3780000167	BAND	2	C		
37	1	P12B2001	CUSHION,rubber	3	C		
38	1	5F00079300	COVER,battery	1	C		
39	1	5F00054000 C	PLATE,cpu under	1	C		
40	1	01131020	BOLT	4	C		
41	1	03010010	WASHER,harden	4	C		
42	1	5F00053800 E	PLATE,battery under	1	C		
43	1	01131020	BOLT	5	C		
44	1	03010010	WASHER,harden	5	C		
45	1	5F00066400 B	PLATE,engine under	1	C		
46	1	01131020	BOLT	8	C		
47	1	03010010	WASHER,harden	8	C		
48	1	3620000050	TRIM	AR	C		
49	1	3620000012	TRIM	AR	C		
50							
51							
52							
53							
54	1	5F00066800 A	BRACKET	1	C		
55	1	01130625	BOLT	4	C		
56	1	02014206	NUT	4	C		
57	1	03000006	WASHER,flat	8	C		
58	1	03020006	WASHER,spring	4	C		
59	1	3700000020	ROTATION GEARBOX	1	C		See Fig 3700000020
60	1	S3400108	BOLT	3	C		
61	1	02012414	NUT	3	C		
62	1	01361670	SCREW,cap	4	C		
63	1	02014416	NUT	4	C		
64	1	03010016	WASHER,harden	4	C		
65	1	3780000163 B	RESERVOIR,oil	1	C		
66	2	G357780001	CAP	1	C		
67	2	G357780017	PLUG	1	C		
68	2	G357780018	O-RING	1	C		
69	2	G357780019	VINYL HOSE	1	C		
70	2	G357780004	FLOATER	1	C		

7F00013301-2/2

Index No.	Level	Part No.	Description	Q'ty	Class	Serial No.	Remarks
141	1	30802086	BAND,hose s6400	2	C		
142	1	3400000006	BOLT	1	C		
143	1	03040008	WASHER,tooth	1	C		
144	1	03000008	WASHER,flat	1	C		
145	1	03020008	WASHER,spring	1	C		
146	1	32700393	CAP,waterproof	1	C		
147	1	3630000020	CABLE,control	1	C		
148	1	5D00004200	COVER	1	C		
149	1	3220000400	MOTOR,accel	1	C		
150	1	06602025	COLLAR	2	C		
151	1	01130840	BOLT	2	C		
152	1	03000008	WASHER,flat	2	C		
153	1	03020008	WASHER,spring	2	C		

7F00013301(01)-2/2

Index No.	Level	Part No.	Description	Q'ty	Class	Serial No.	Remarks
36	1	37802613	CLIP,hose	1	C		
37	1	5A20006500 C	PIPE,exhaust	1	C		
38	1	G705780028	GASKET,engine	1	C		
39							
40							
41	1	01730616	BOLT,w/washer	4	C		
42	1	01730820	BOLT,w/washer	3	C		
43	1	01730820	BOLT,w/washer	4	C		
44	1	01730825	BOLT,w/washer	4	C		
45	1	01730816	BOLT,w/washer	8	C		
46	1	01130830	BOLT	4	C		
47	1	03000008	WASHER,flat	4	C		
48	1	03020008	WASHER,spring	4	C		
49	1	10020608	ADAPTER-90	1	C		
50	1	12221006	ADAPTER-90	1	C		
51	1	12320806	BUSHING	1	C		
52	1	02004208	NUT	2	C		
53	1	03000008	WASHER,flat	2	C		
54	1	03020008	WASHER,spring	2	C		
55	1	36200582	CUSHION,rubber	4	C		
56	1	03010012	WASHER,harden	8	C		
57	1	02852212	NUT,lock	8	C		
58	1	01130830	BOLT	4	C		
59	1	03020008	WASHER,spring	4	C		
60	1	03000008	WASHER,flat	8	C		
61	1	02014208	NUT	4	C		
62	1	01730816	BOLT,w/washer	2	C		
63	1	S3400113	BOLT	2	C		
64	1	03000008	WASHER,flat	2	C		
65	1	03020008	WASHER,spring	2	C		
66	1	02014208	NUT	4	C		
67	1	36201990	TRIM	AR	C		0.5m
68	1	P12B2001	CUSHION,rubber	1	C		
69	1	B24M7095	STOPPER RH	1	C		
70	1	B24M7096	STOPPER LH	1	C		

7F00013300(04)-1/2

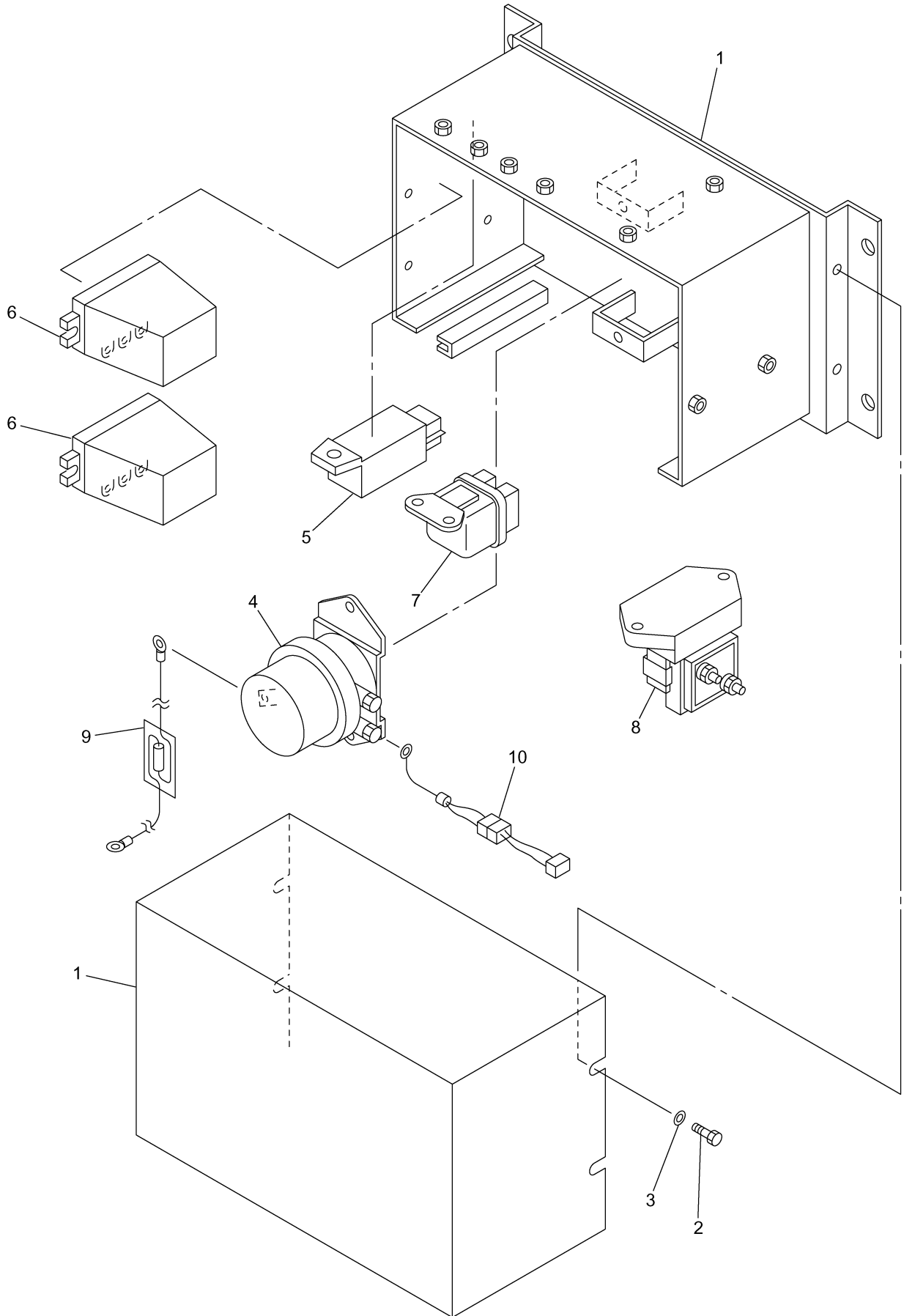
Index No.	Level	Part No.	Description	Q'ty	Class	Serial No.	Remarks
176	1	03000008	WASHER,flat	1	C		
177	1	02014210	NUT	1	C		
178	1	03040010	WASHER,tooth	1	C		
179	1	03010010	WASHER,harden	1	C		
180	1	3400000007	BOLT	5	C		
181	1	03040006	WASHER,tooth	5	C		
182	1	03020006	WASHER,spring	5	C		
183	1	03000006	WASHER,flat	5	C		

7F00013300(06)-1/2

Index No.	Level	Part No.	Description	Q'ty	Class	Serial No.	Remarks
71	2	G357780003	CLIP	2	C		
72							
73							
74	1	3780000167	BAND	2	C		
75	1	P12B2001	CUSHION,rubber	4	C		
76	1	3020004100	VALVE,check	1	C		
77	1	3050000018	FILTER	1	C		
78	2	G319050025	ELEMENT & O-RING	1	C		
79	1	44305661	COLLAR	2	C		
80	1	01230800	BOLT	2	C		
81	1	02014208	NUT	2	C		
82	1	03000008	WASHER,flat	4	C		
83	1	03020008	WASHER,spring	2	C		
84	1	3050000009	FILTER	1	C		
85	2	G824050001	ELEMENT ASSEMBLY	1	C		
86	2	11210650	RING,back-up	1	C		
87	2	11110650	O-RING	1	C		
88	1	01131030	BOLT	4	C		
89	1	03010010	WASHER,harden	4	C		
90	1	3020014900 A	VALVE,unit	1	C		See Fig 3020014900 A
91	1	01130822	BOLT	2	C		
92	1	03000008	WASHER,flat	2	C		
93	1	03020008	WASHER,spring	2	C		
94	1	3020000009 A	VALVE,combination	1	C		See Fig 3020000009 A
95	1	01230800	BOLT	2	C		
96	1	02014208	NUT	2	C		
97	1	03000008	WASHER,flat	4	C		
98	1	03020008	WASHER,spring	2	C		
99	1	03000005	WASHER,flat	2	C		
100	1	04301610	PIN,cotter	2	C		
101	1	04210520	PIN,clevis	2	C		
102	1	5F00001900	LEVER	1	C		
103	1	44002210	NUT	1	C		
104	1	18100110	KNOB	1	C		
105	1	5F00068800 D	VALVE,rework	1	C		

Fig 3290010500B

RELAY BOX



PROPORTIONAL CONTROL VALVE

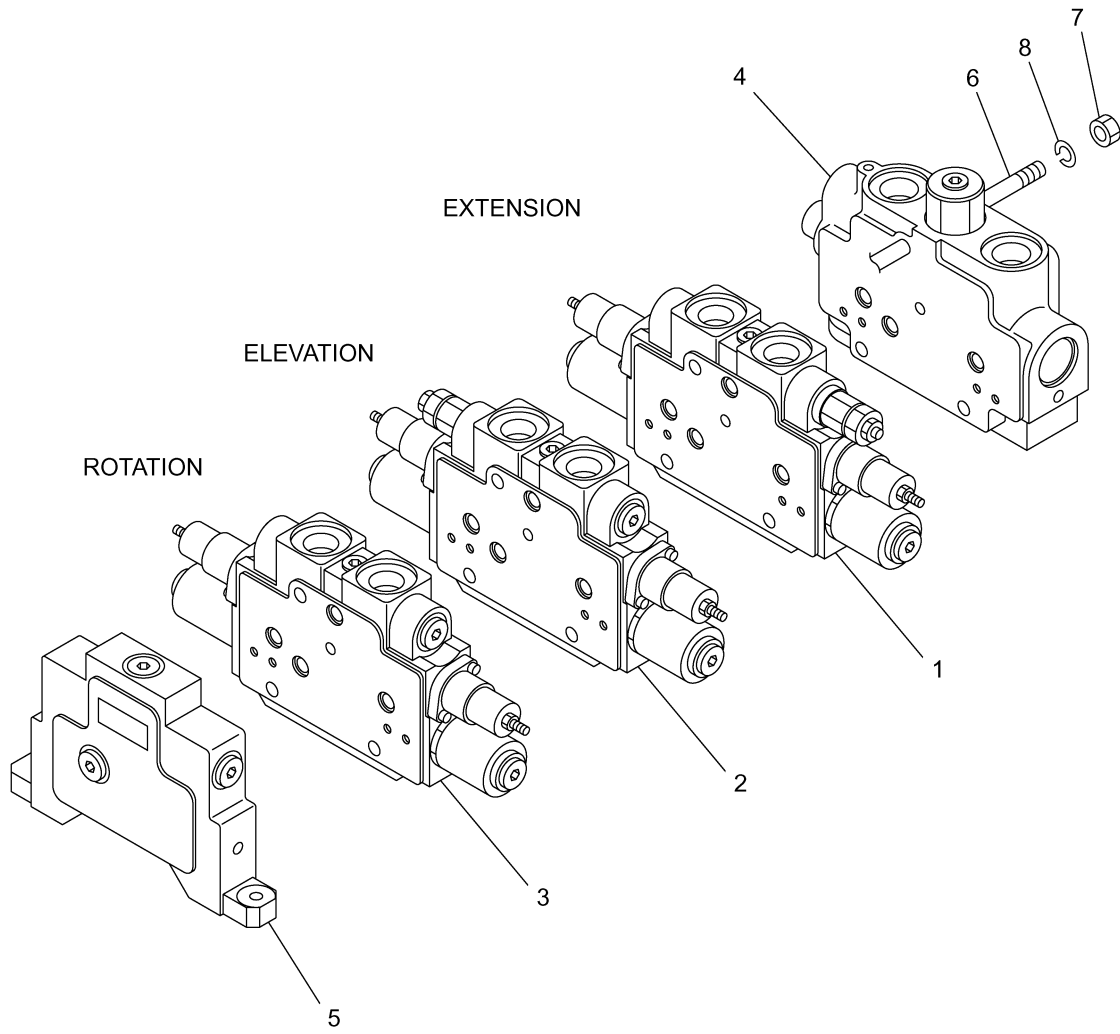
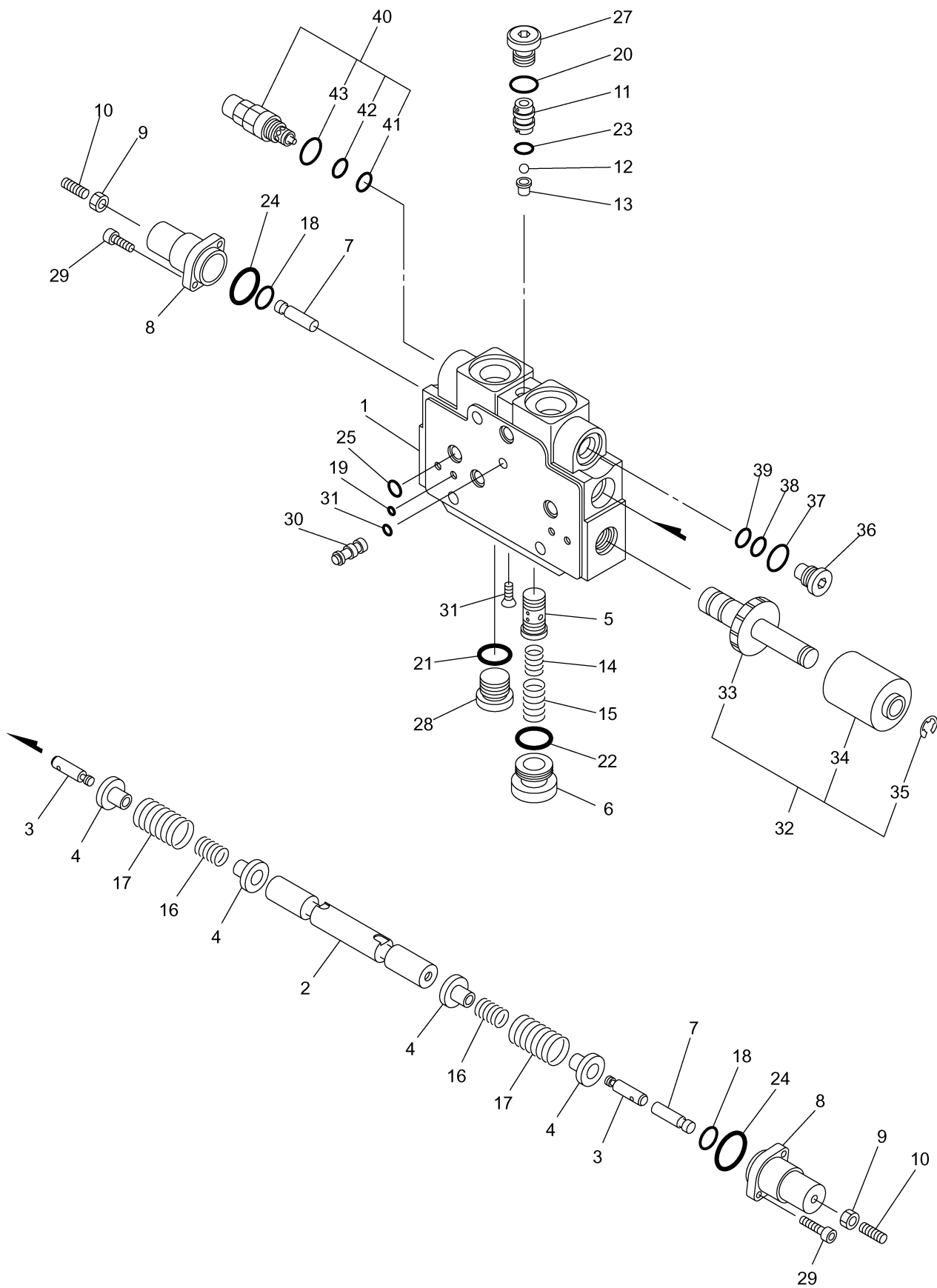


Fig G305020473

VALVE BLOCK(ELEVATION)



302000009A

Index No.	Level	Part No.	Description	Q'ty	Class	Serial No.	Remarks
1	1		HOUSING	1	D		
2	1		SPOOL	1	D		
3	1	G308020087	SEAL, oil	2	C		
4	1	G308020007	BRACKET	1	C		
5	1	G308020088	WASHER	1	C		
6	1	G308020089	BOLT	1	C		
7	1	G308020090	BUSHING	1	C		
8	1	G308020072	BALL	2	C		
9	1	G308020092	SPRING	1	C		
10	1		CAP	1	D		
11	1	G308020006	PLATE	3	C		
12	1		SCREW, cap	2	D		
13	1		SCREW, cap	2	D		
14	1	G308020013	LEVER	1	C		
15	1	G308020012	BOLT	1	C		
16	1	G308020014	SPRING	1	C		
17	1		PLUG	1	D		
18							
19							
20	1		SEAT	2	D		
21	1		VALVE	2	D		
22	1		SPRING	2	D		
23	1	G308020106	O-RING	2	C		
24	1		PLUG	2	D		
25	1		PISTON	1	D		
26	1	G308020009	O-RING	1	C		
27	1	G308020104	GASKET	2	C		
28							
29							
30	1	G308020059	VALVE, relief	2	C		

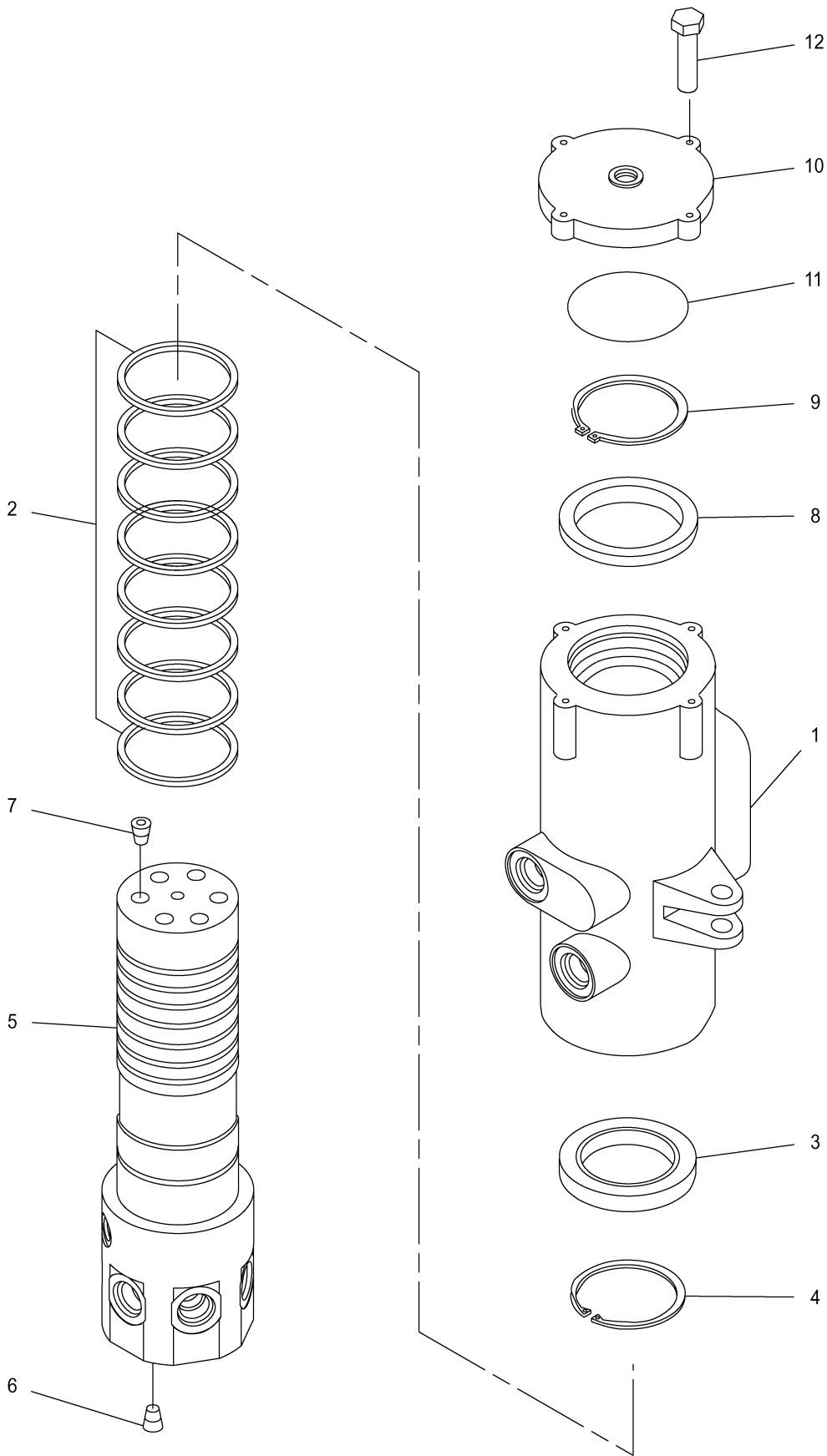
7S70000700(15)-1/2

Index No.	Level	Part No.	Description	Q'ty	Class	Serial No.	Remarks
36	1	11010180	O-RING	1	C		
37	1	12252102	REDUCER	1	C		
38	1	11010110	O-RING	1	C		
39	1	12270103	ELBOW-90	1	C		
40	1	11010140	O-RING	1	C		
41	1	12252102	REDUCER	1	C		
42	1	11010110	O-RING	1	C		
43	1	12253006	CONNECTOR	1	C		
44	1	11010240	O-RING	2	C		
45	1	12101003	PLUG	1	C		
46	1	11010140	O-RING	1	C		
47	1	12270104	ELBOW-90	2	C		
48	1	11010180	O-RING	2	C		
49	1	12260106	ELBOW-45	2	C		
50	1	11010240	O-RING	2	C		
51	1	12260106	ELBOW-45	1	C		
52	1	11010240	O-RING	1	C		
53	1	12271108	REDUCER-90	1	C		
54	1	11010290	O-RING	1	C		
55	1	12260102	ELBOW-45	1	C		
56	1	11010110	O-RING	1	C		
57	1	12270106	ELBOW-90	2	C		
58	1	11010240	O-RING	2	C		
59	1	12101003	PLUG	1	C		
60	1	11010140	O-RING	1	C		
61	1	30706053	PLUG	1	C		
62	1	12270104	ELBOW-90	1	C		
63	1	11010180	O-RING	1	C		
64	1	12253003	CONNECTOR	1	C		
65	1	11010140	O-RING	2	C		
66	1	12720003	TEE-PF	1	C		
67	1	12250103	CONNECTOR	1	C		
68	1	11010140	O-RING	1	C		
69	1	12272104	REDUCER-90	1	C		
70	1	11010180	O-RING	1	C		

7S70000700(17)-1/2

Index No.	Level	Part No.	Description	Q'ty	Class	Serial No.	Remarks
36	1	11010180	O-RING	1	C		
37	1	12252102	REDUCER	1	C		
38	1	11010110	O-RING	1	C		
39	1	12270103	ELBOW-90	1	C		
40	1	11010140	O-RING	1	C		
41	1	12252102	REDUCER	1	C		
42	1	11010110	O-RING	1	C		
43	1	12253006	CONNECTOR	1	C		
44	1	11010240	O-RING	2	C		
45	1	12101003	PLUG	1	C		
46	1	11010140	O-RING	1	C		
47	1	12270104	ELBOW-90	2	C		
48	1	11010180	O-RING	2	C		
49	1	12260106	ELBOW-45	2	C		
50	1	11010240	O-RING	2	C		
51	1	12260106	ELBOW-45	1	C		
52	1	11010240	O-RING	1	C		
53	1	12271108	REDUCER-90	1	C		
54	1	11010290	O-RING	1	C		
55	1	12260102	ELBOW-45	1	C		
56	1	11010110	O-RING	1	C		
57	1	12270106	ELBOW-90	2	C		
58	1	11010240	O-RING	2	C		
59	1	12101003	PLUG	1	C		
60	1	11010140	O-RING	1	C		
61	1	30706053	PLUG	1	C		
62	1	12270104	ELBOW-90	1	C		
63	1	11010180	O-RING	1	C		
64	1	12253003	CONNECTOR	1	C		
65	1	11010140	O-RING	2	C		
66	1	12720003	TEE-PF	1	C		
67	1	12250103	CONNECTOR	1	C		
68	1	11010140	O-RING	1	C		
69	1	12272104	REDUCER-90	1	C		
70	1	11010180	O-RING	1	C		

SWIVEL JOINT



CLICK HERE TO **DOWNLOAD** THE COMPLETE MANUAL

- Thank you very much for reading the preview of the manual.
- You can download the complete manual from: www.heydownloads.com by clicking the link below



- Please note: If there is no response to CLICKING the link, please download this PDF first and then click on it.

CLICK HERE TO **DOWNLOAD** THE COMPLETE MANUAL

Fig 7G10003200(06)-1/2

COVER(TURNTABLE)

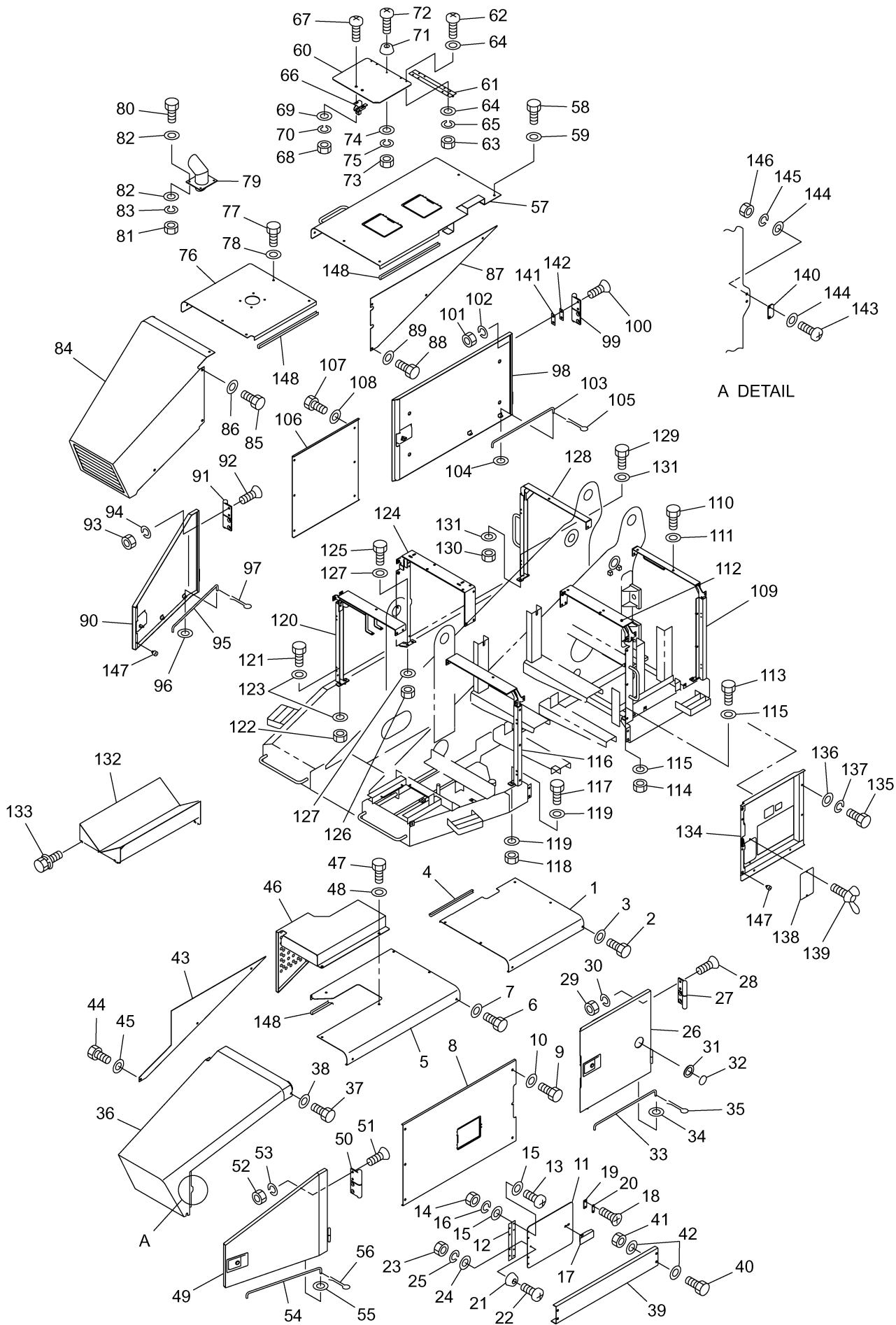
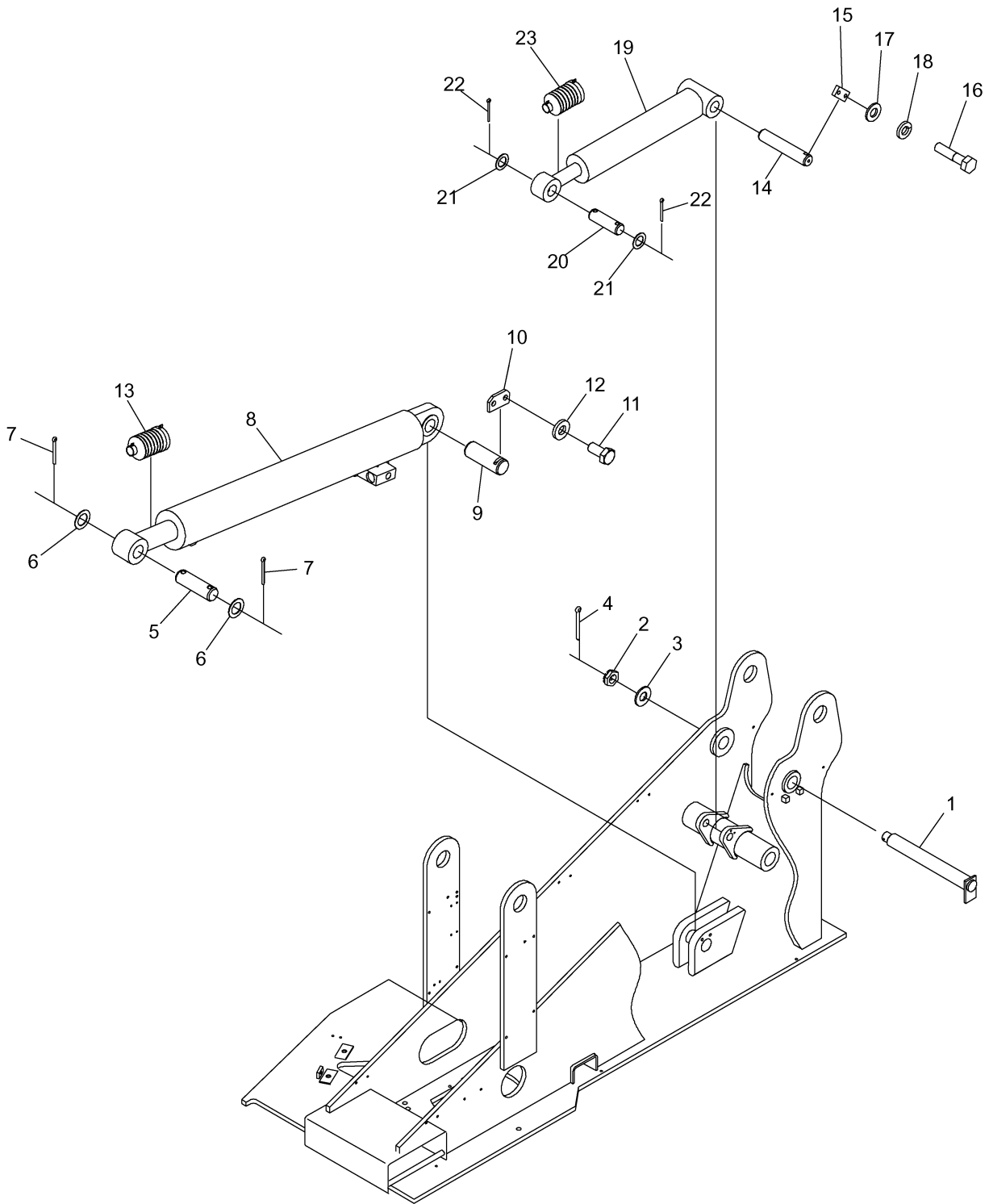


Fig 7Y00000400(03)

JOINT PARTS



BOOM

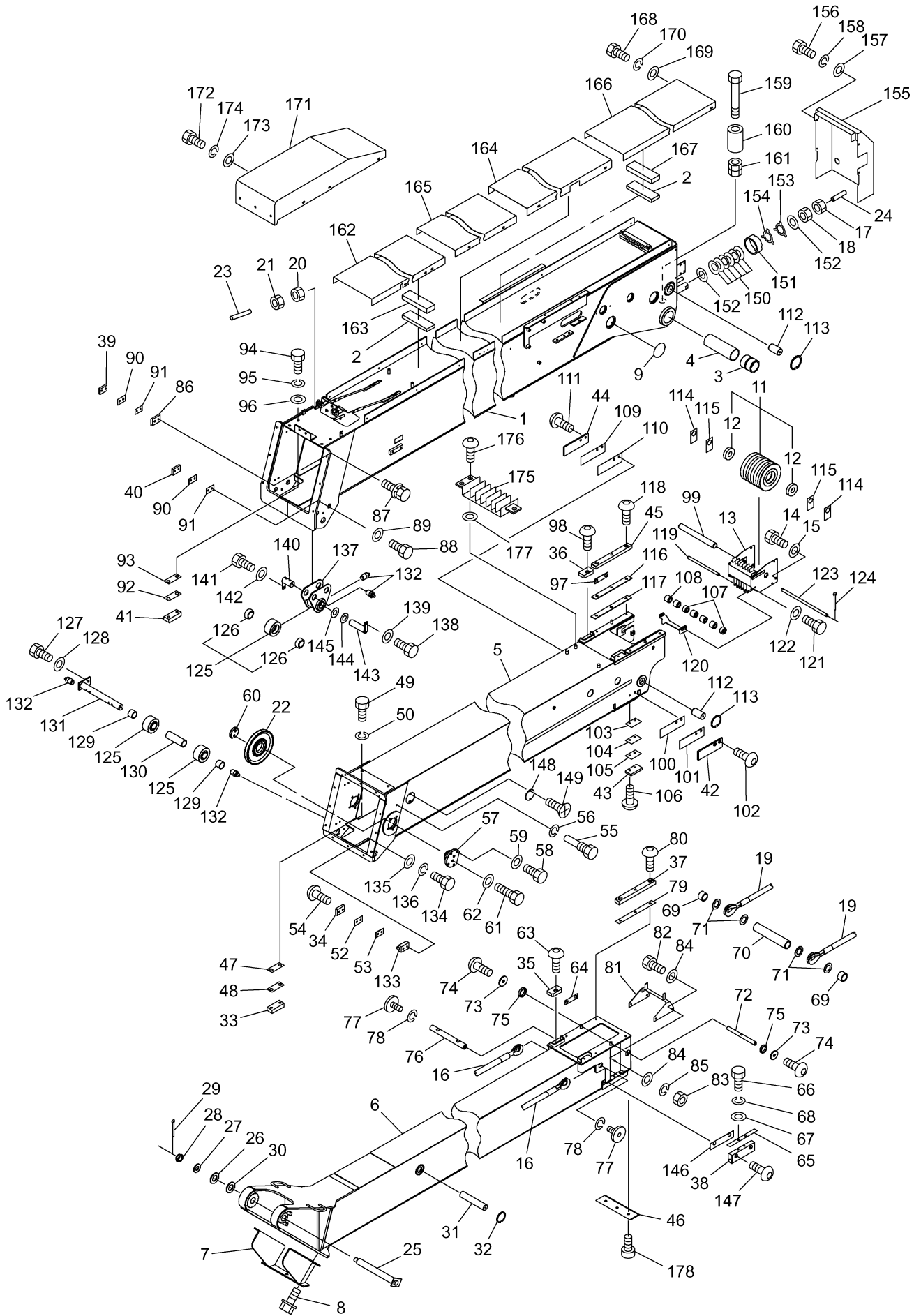


Fig 7K00006807(06)-1/2

BOOM

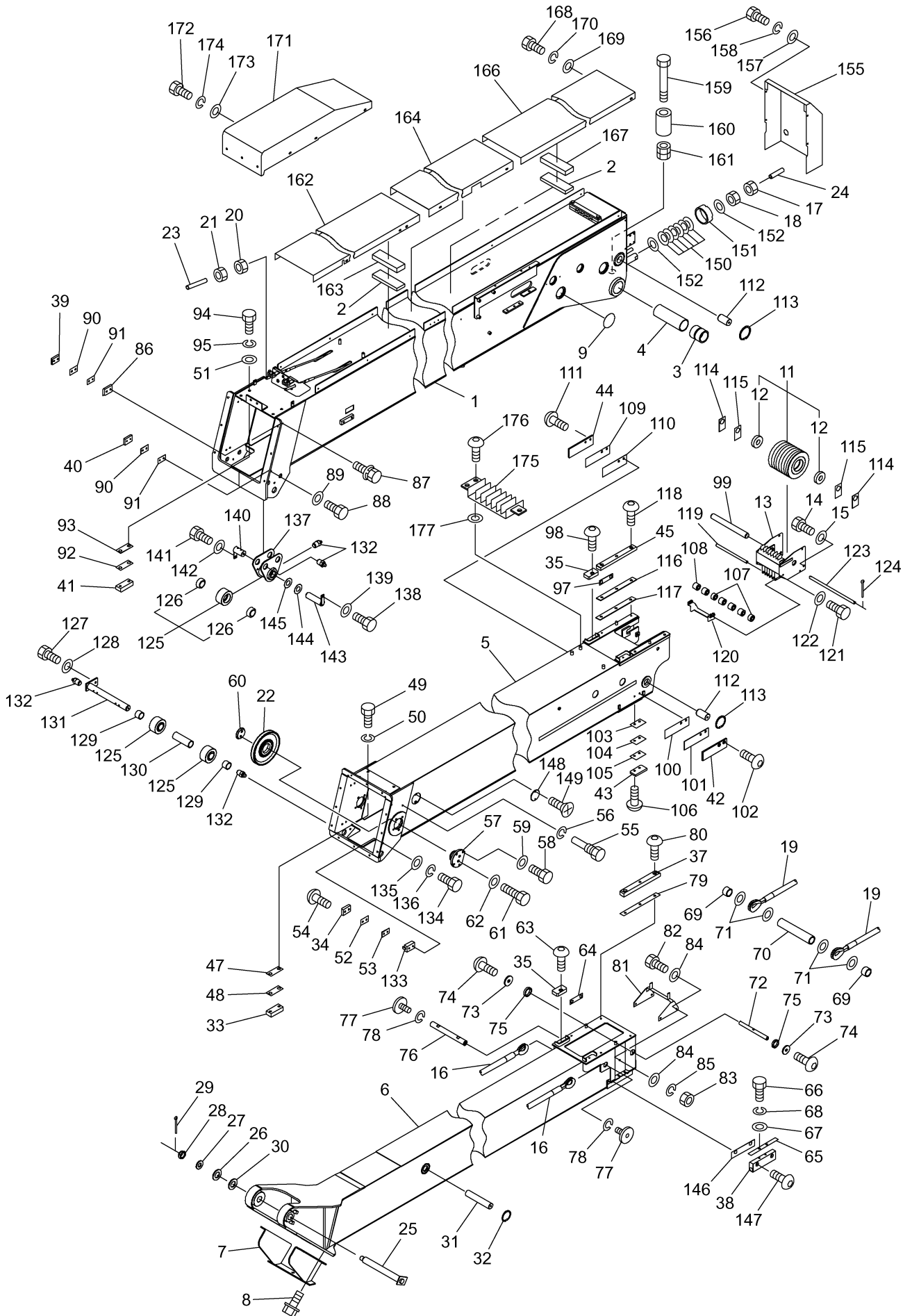


Fig 7K00007004(08)-1/2

BOOM

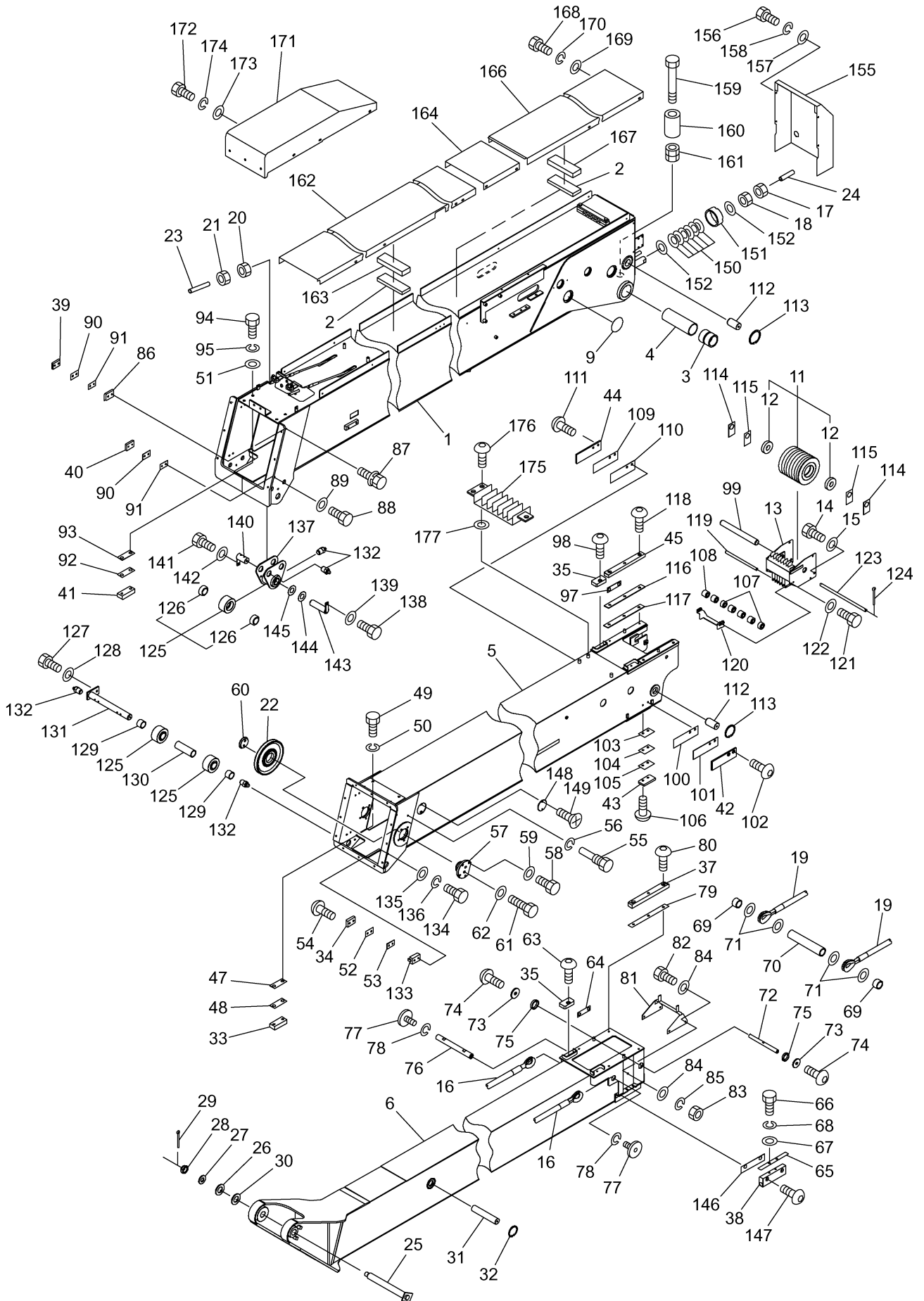
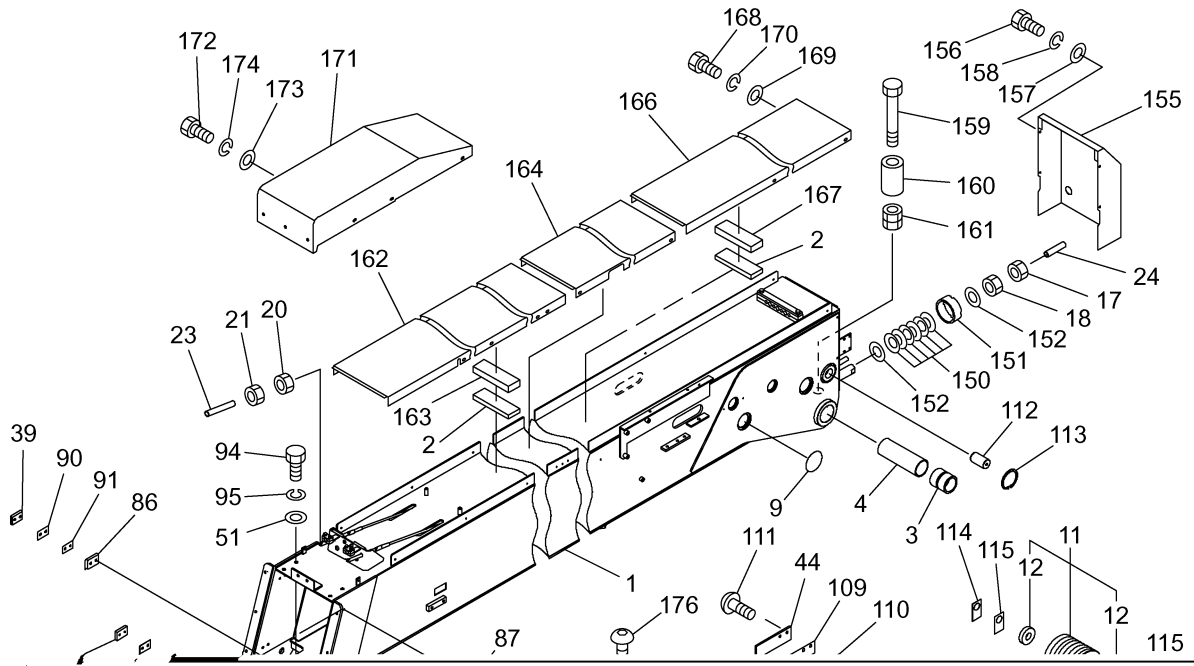
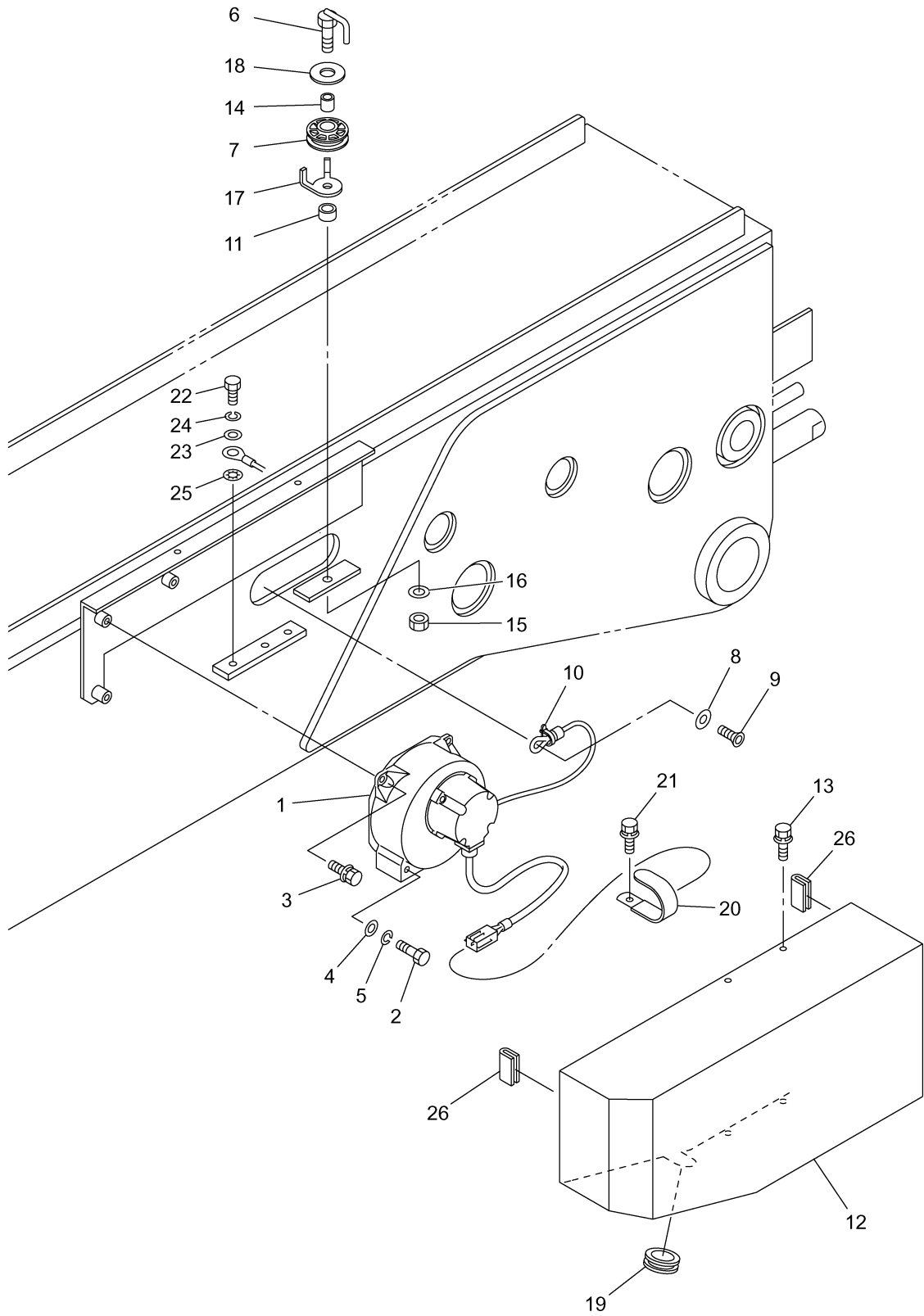


Fig 7K00007003(06)-1/2

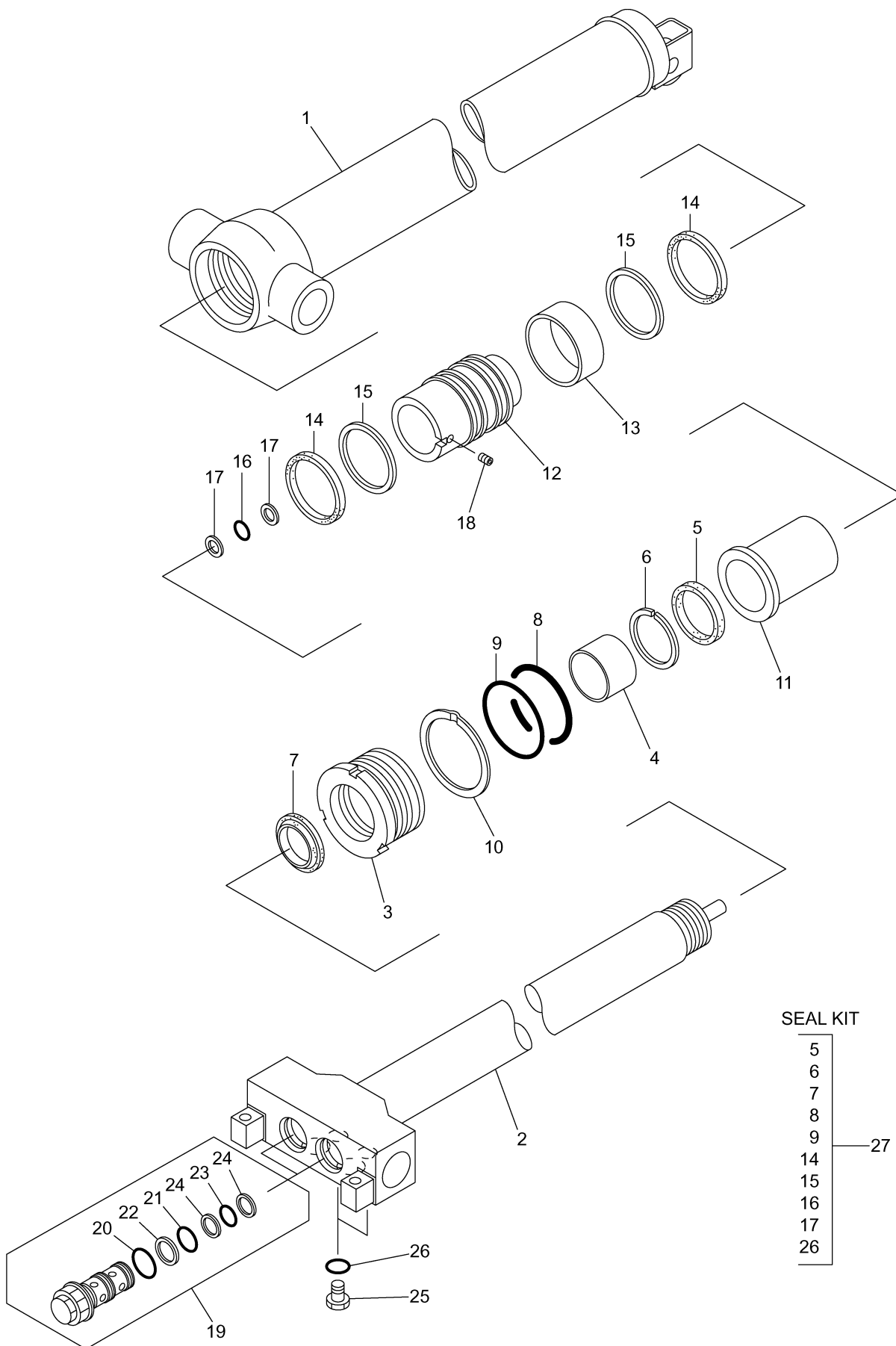
BOOM



BOOM LENGTH SENSOR



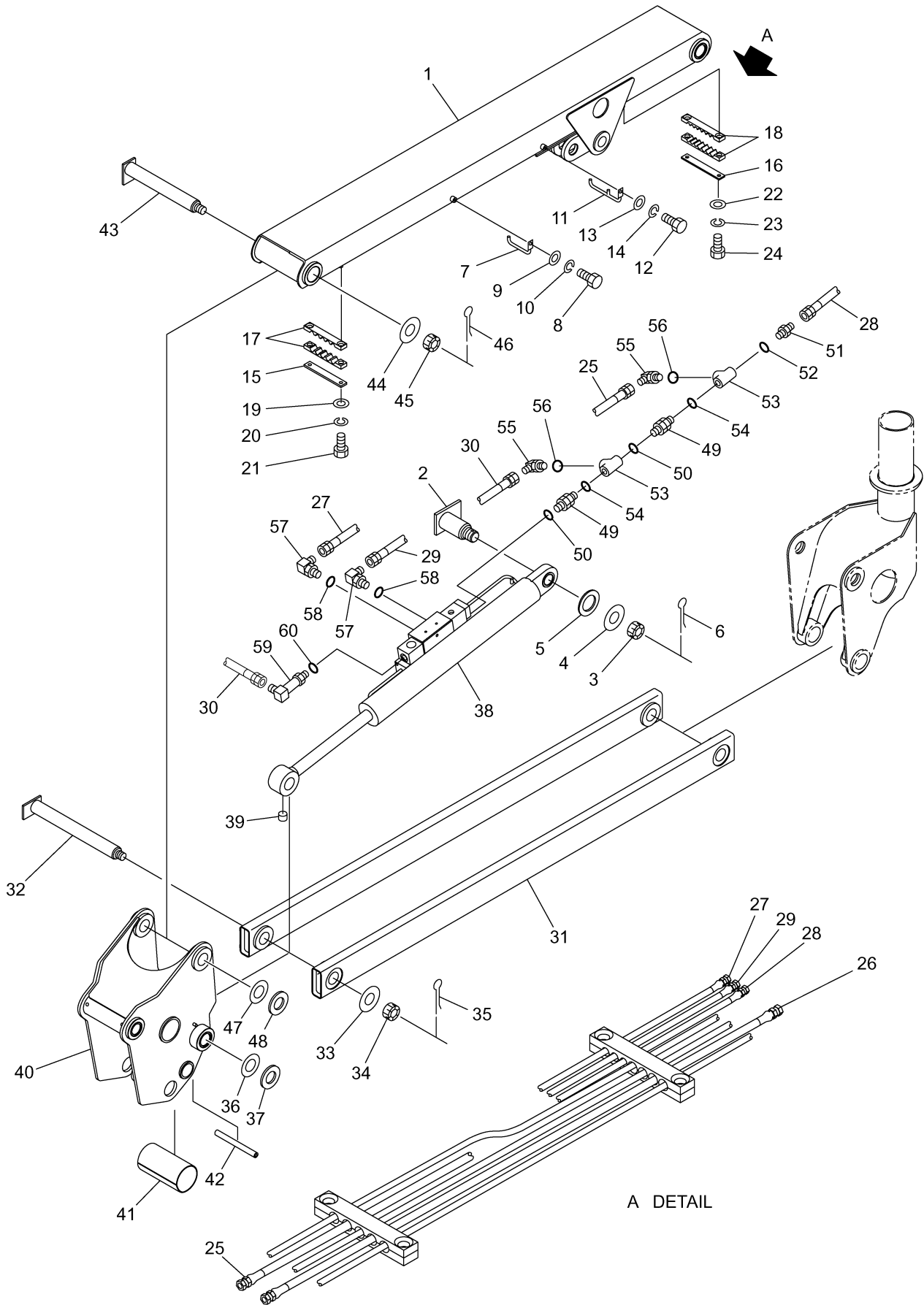
EXTENSION CYLINDER



SEAL KIT

5	—27
6	
7	
8	
9	
14	
15	
16	
17	
26	

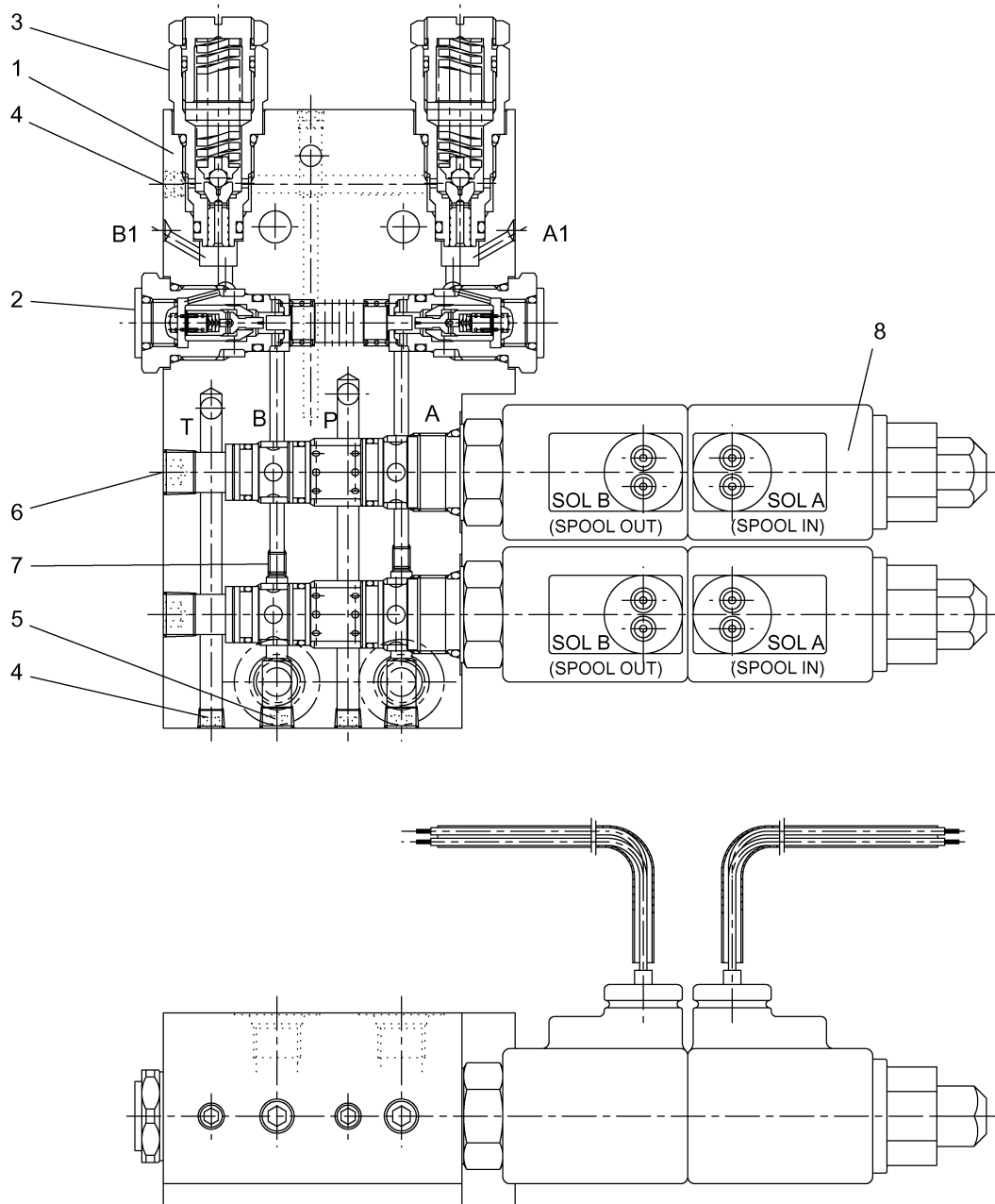
FLY JIB



7L10016600(07)

Index No.	Level	Part No.	Description	Q'ty	Class	Serial No.	Remarks
36	1	01730816	BOLT,w/washer	2	C		
37	1	02403216	NUT,castle	2	C		
38	1	04304032	PIN,cotter	2	C		
39	1	04811025	WASHER,flat	2	C		
40	1	5L10092700 A	BRACKET	1	C		
41	1	5L10100400 A	GUARD	1	C		
42	1	01131016	BOLT	2	C		
43	1	03010010	WASHER,harden	2	C		
44	1	5L10098700 A	GUIDE	1	C		
45	1	01130814	BOLT	2	C		
46	1	03000008	WASHER,flat	2	C		
47	1	03020008	WASHER,spring	2	C		
48	1	5L10092500 D	BRACKET,spring	1	C		
49	1	01131030	BOLT	2	C		
50	1	03010010	WASHER,harden	2	C		
51	1	02014210	NUT	2	C		
52	1	3200002601 D	SWITCH,rework	1	C		
53	2	3200002600	SWITCH,limit	1	C		
54	2	3200009600	CONNECTOR	1	C		
55	2	5C10193300 C	HARNESS,wire	1	C		
56	1	01360540	SCREW,cap	4	C		
57	1	03000005	WASHER,flat	4	C		
58	1	03020005	WASHER,spring	4	C		
59	1	5L10247200	BOLT	1	C		
60	1	02012410	NUT	1	C		
61	1	S3400114	BOLT	2	C		
62	1	02012410	NUT	2	C		
63	1	4500000028	SPRING	1	C		
64	1	5L10093000 B	BRACKET,spring	1	C		
65	1	01131035	BOLT	2	C		
66	1	03010010	WASHER,harden	2	C		
67	1	02014210	NUT	2	C		
68	1	01261220	BOLT	1	C		
69	1	02852212	NUT,lock	1	C		
70	1	03000012	WASHER,flat	2	C		

VALVE UNIT



CONTROL UPPER

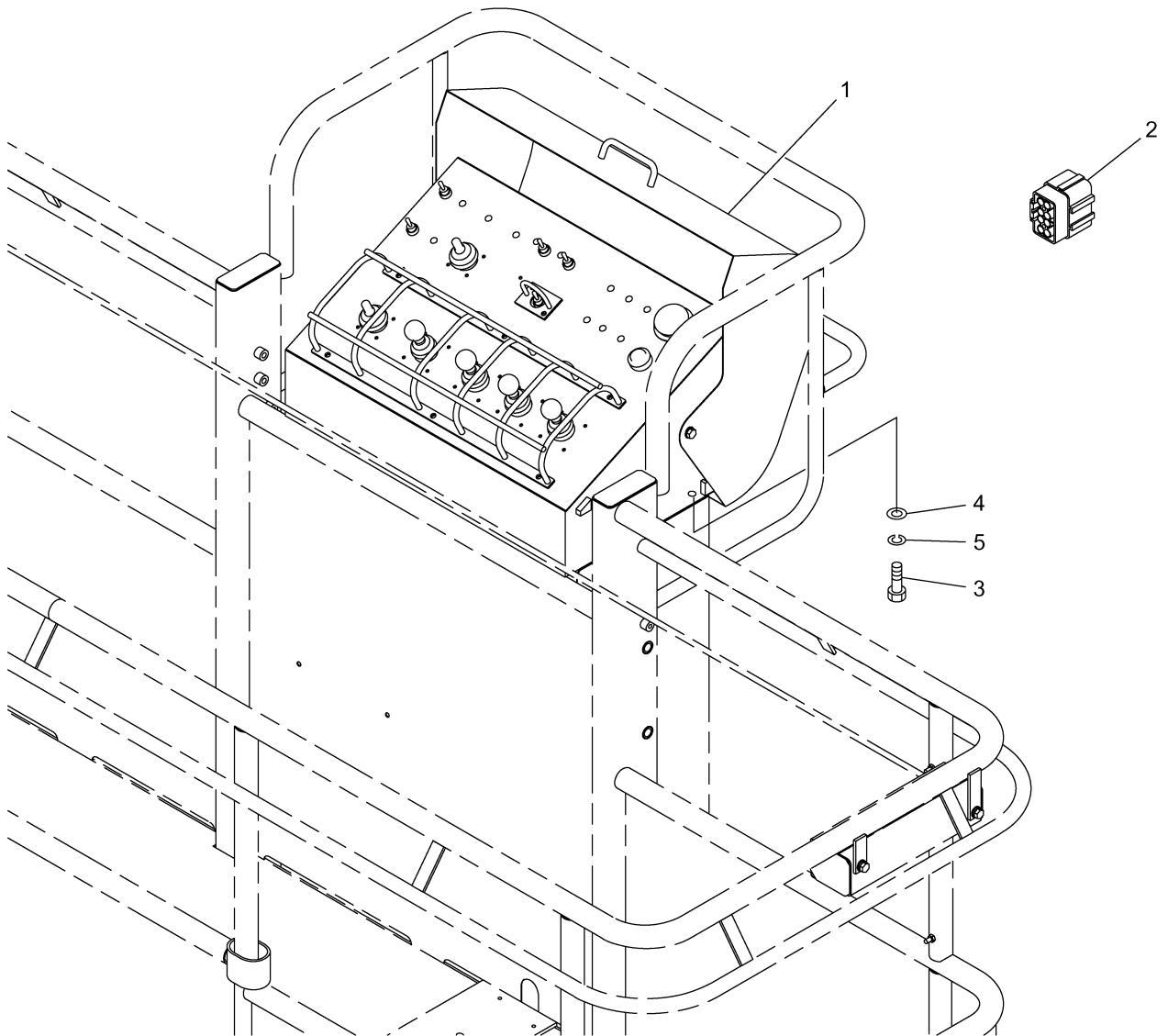
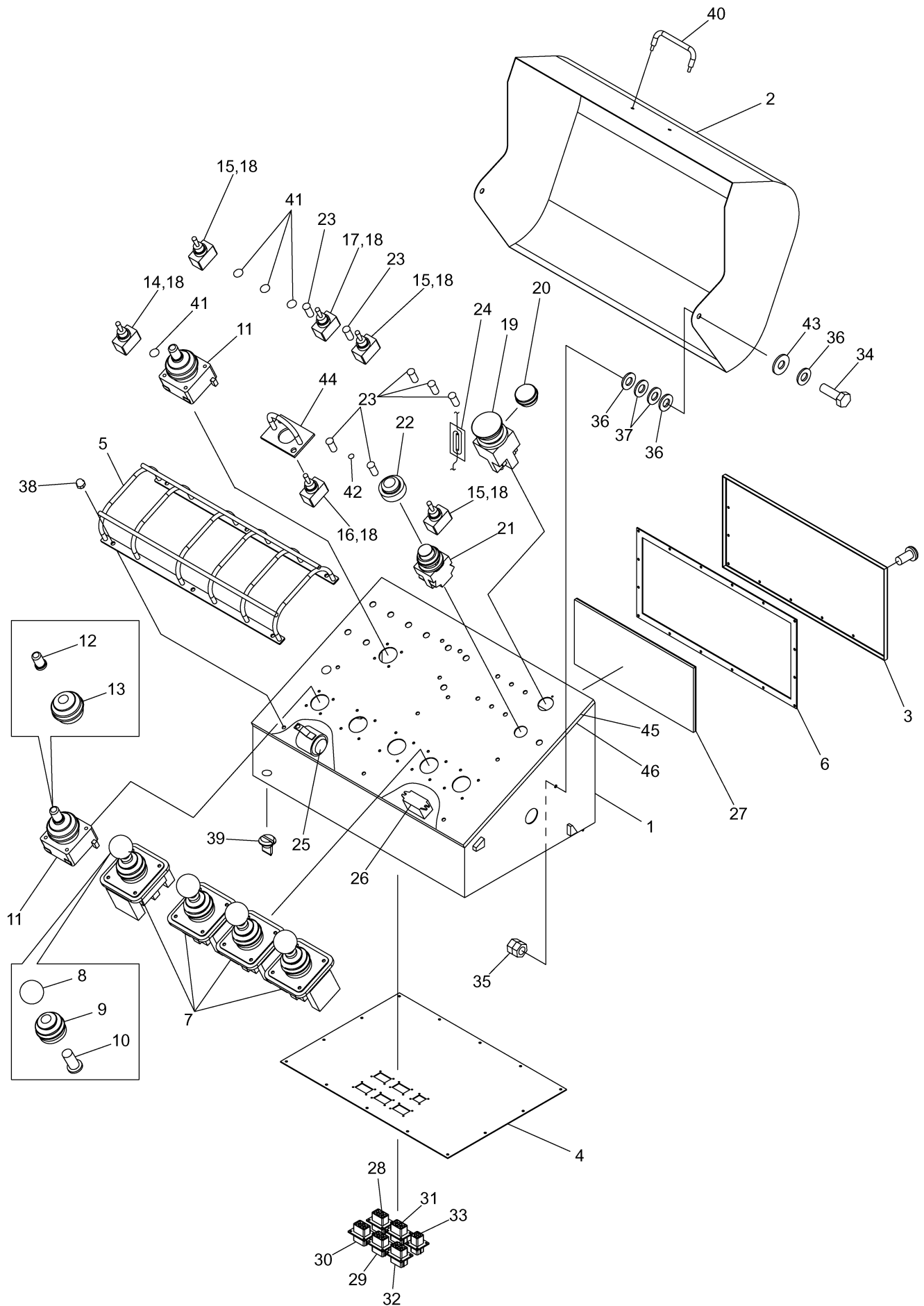


Fig 3290013413

CONTROL BOX (UPPER)

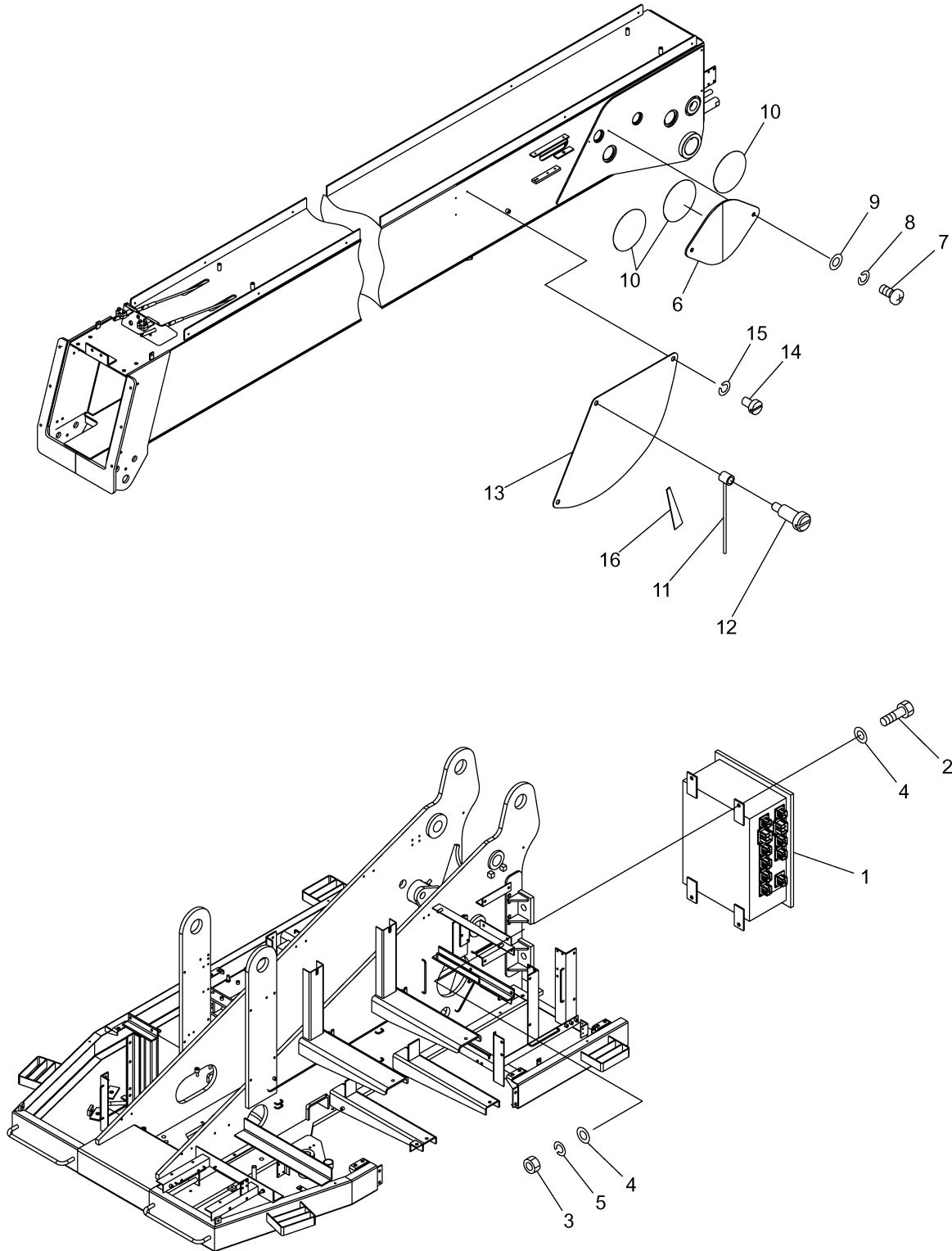


3290013503B

Index No.	Level	Part No.	Description	Q'ty	Class	Serial No.	Remarks
1	1	G788290187	BOX	1	C		
2	1	G788290254	COVER	1	C		
3	1	G788290253	COVER	1	C		
4	1	G788290190	PLATE	1	C		
5	1	G788290126	COVER	1	C		
6	1	G788290048	PACKING	1	C		
7	1	G788290052	PACKING	1	C		
8	1	17301102	SWITCH, toggle	1	C		
9	1	17302102	SWITCH, toggle	3	C		
10	1	17301212	SWITCH, toggle	4	C		
11	1	3620000125	COVER	1	C		
12							
13	1	17340000	CAP	8	C		
14	1	3200001600	SWITCH	1	C		
15	1	3200001900	COVER	1	C		
16	1	38100112	METER, hour	1	C		
17	1	V04C0102	SWITCH, key	1	C		
18	2	G912550001	KEY	1	C		
19	1	32102222 A	L.E.D.	9	C		
20	1	32102190	DIODE	12	C		
21	1	3270000800	RESISTOR	6	C		
22	1	19103000	BOX, fuse	1	C		
23	1	3270000026	HOLDER, fuse	1	C		
24	1	19101020	FUSE	3	C		
25	1	19101010	FUSE	6	C		
26	1	19101005	FUSE	6	C		
27	1	32005778 A	RELAY	1	C		
28	1	19222202	CONNECTOR	1	C		
29	1	32005792	RELAY	6	C		
30	1	32704653	CONNECTOR	6	C		
31	1	3270002300	COVER	2	C		
32	1	19229112	CONNECTOR	1	C		
33	1	19229304	CONNECTOR	1	C		
34	1	19229408	CONNECTOR	1	C		
35	1	19229306	CONNECTOR	1	C		

Fig 7T00005400(04)

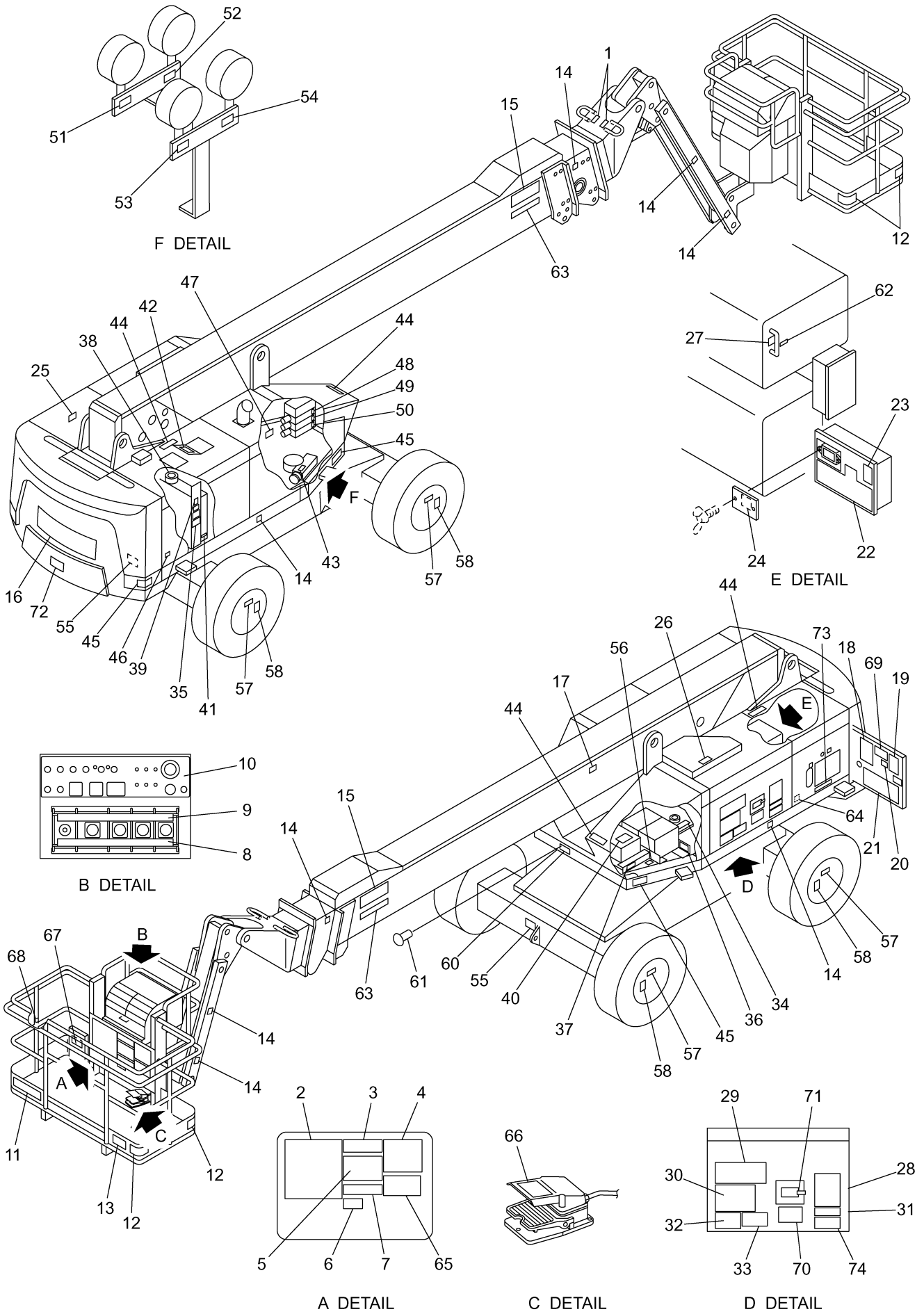
CPU BOX



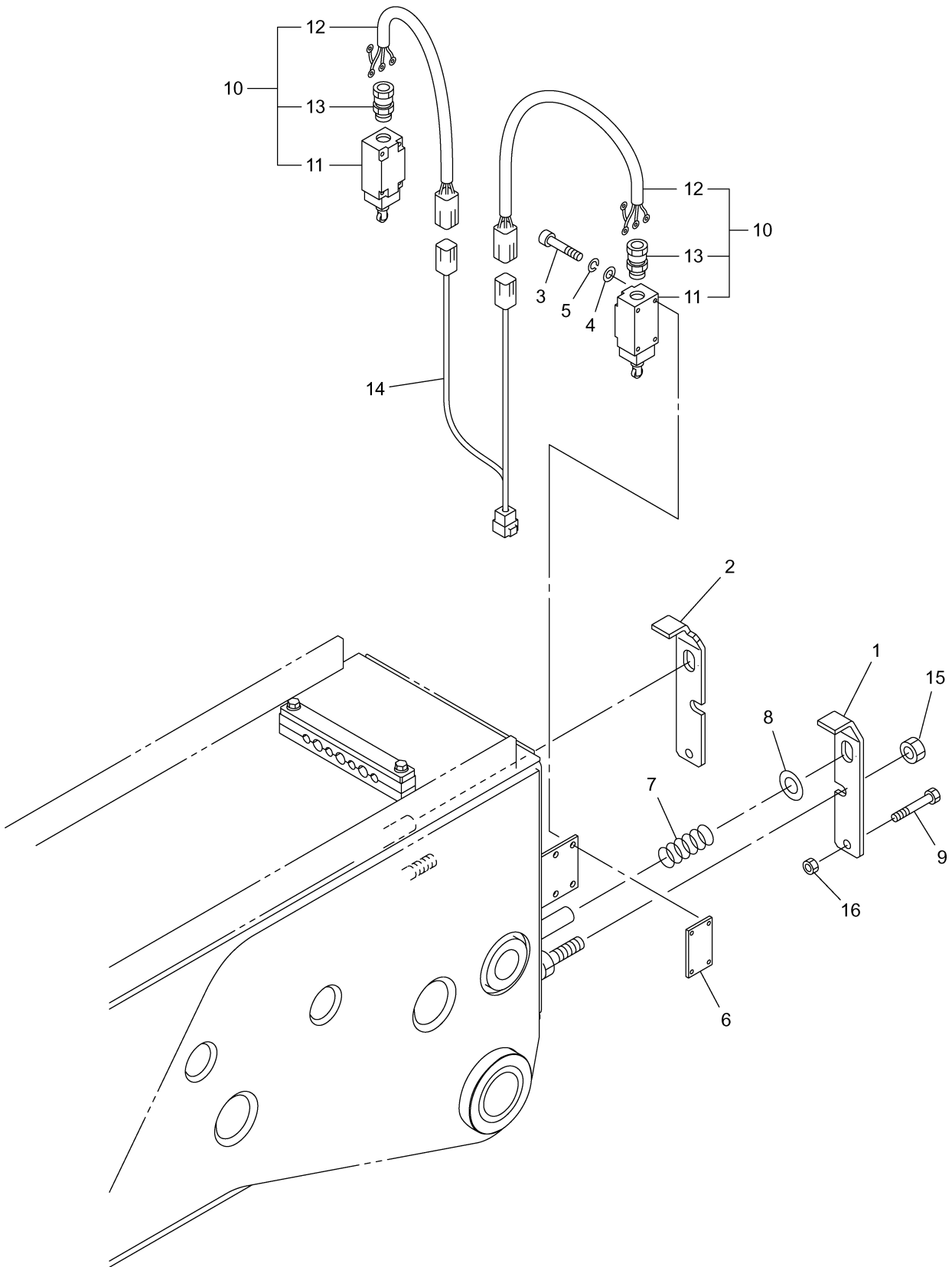
7Y60039604(02)

Index No.	Level	Part No.	Description	Q'ty	Class	Serial No.	Remarks
36	1	4910000343 A	NAMEPLATE,caution	1	C		
37	1	5Y60120900 A	NAMEPLATE	1	C		
38	1	49103921	NAMEPLATE,caution	1	C		
39	1	49100891 B	NAMEPLATE,coolant	1	C		
40	1	49104088 B	NAMEPLATE,caution	1	C		
41	1	49404400 A	NAMEPLATE	1	C		
42	1	4940000254 A	NAMEPLATE,oil	1	C		
43	1	4940000169 A	NAMEPLATE,oil	1	C		
44	1	4910000339 A	NAMEPLATE,caution	4	C		
45	1	49404735	NAMEPLATE	4	C		
46	1	49404720	NAMEPLATE,ce	2	C		
47	1	49104088 B	NAMEPLATE,caution	1	C		
48	1	5Y60071100 A	NAMEPLATE	1	C		
49	1	5Y60071300 A	NAMEPLATE	1	C		
50	1	5Y60071500 A	NAMEPLATE	1	C		
51	1	5Y60143000	NAMEPLATE	1	C		
52	1	5Y60143100	NAMEPLATE	1	C		
53	1	5Y60143200	NAMEPLATE	1	C		
54	1	5Y60143300	NAMEPLATE	1	C		
55	1	4910000348 A	NAMEPLATE	3	C		
56	1	5Y60154900	NAMEPLATE	4	C		
57	1	4940000169 A	NAMEPLATE,oil	4	C		
58	1	5Y60121100 B	NAMEPLATE	4	C		
59	1	4910000618	NAMEPLATE,caution	1	C		
60			NAMEPLATE	1	D		
61	1	34000132 A	SCREW,rivet	6	C		
62	1	3780000024 A	THERMO LABEL	1	C		
63	1	4940000253	NAMEPLATE	2	C		
64	1	S4943102	NAMEPLATE	1	C		
65	1	4910000159	NAMEPLATE,caution	1	C		
66	1	4910000152	NAMEPLATE,caution	1	C		
67	1	4910000307 B	NAMEPLATE	1	C		
68	1	4910000149	NAMEPLATE,caution	1	C		
69	1	4910000159	NAMEPLATE,caution	1	C		
70	1	4910000155	NAMEPLATE,caution	1	C		

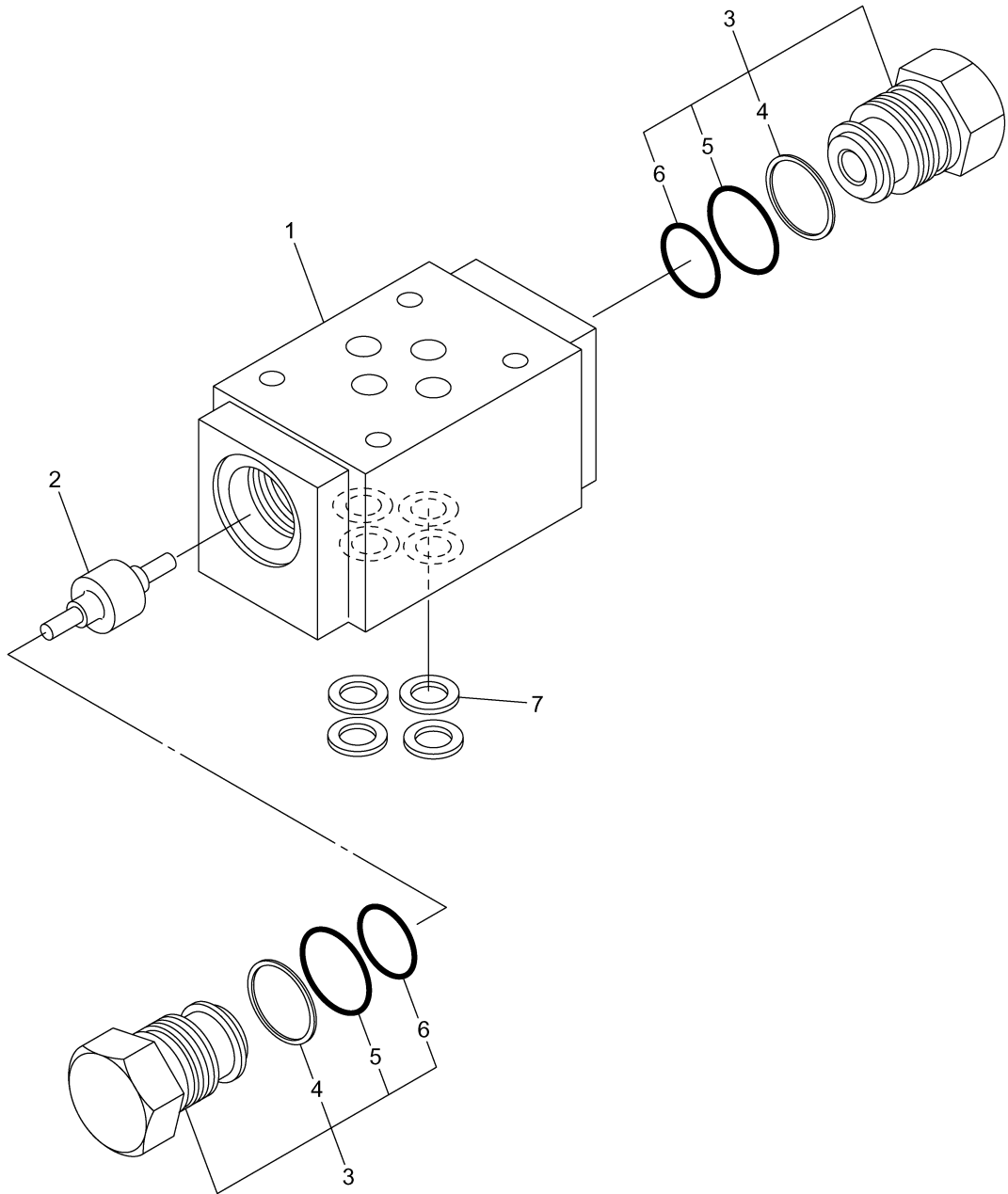
DECALS



BOOM WIRE ROPE SENSOR



DOUBLE PILOT CHECK VALVE



CLICK HERE TO **DOWNLOAD** THE COMPLETE MANUAL

- Thank you very much for reading the preview of the manual.
- You can download the complete manual from: www.heydownloads.com by clicking the link below



- Please note: If there is no response to CLICKING the link, please download this PDF first and then click on it.

CLICK HERE TO **DOWNLOAD** THE COMPLETE MANUAL