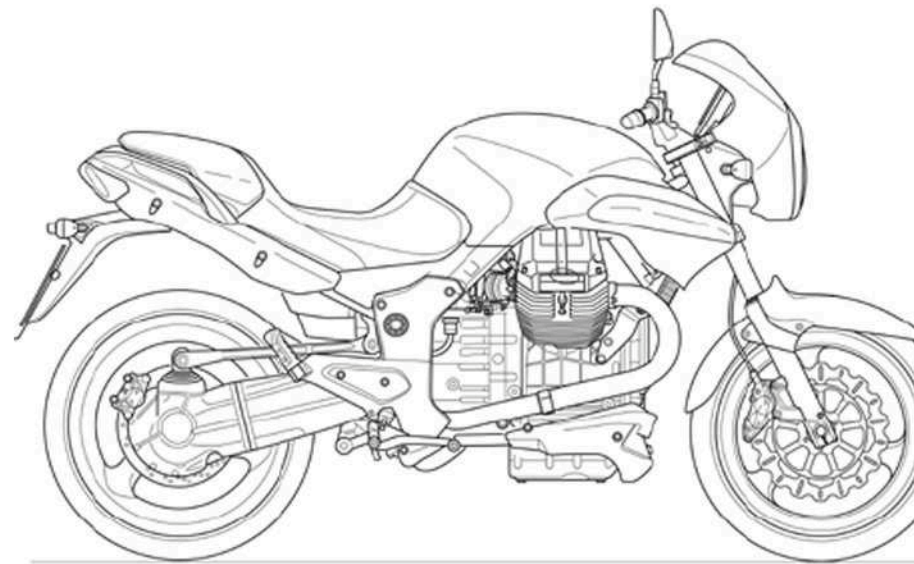


Compliments of:



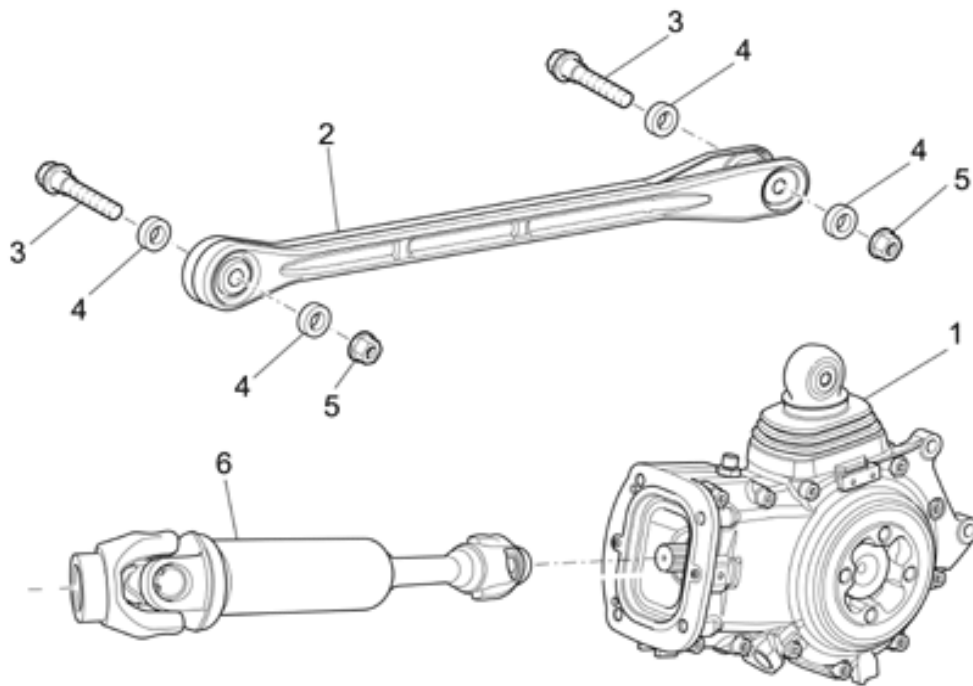
CLICK HERE TO **DOWNLOAD** THE COMPLETE MANUAL

- Thank you very much for reading the preview of the manual.
- You can download the complete manual from: www.heydownloads.com by clicking the link below

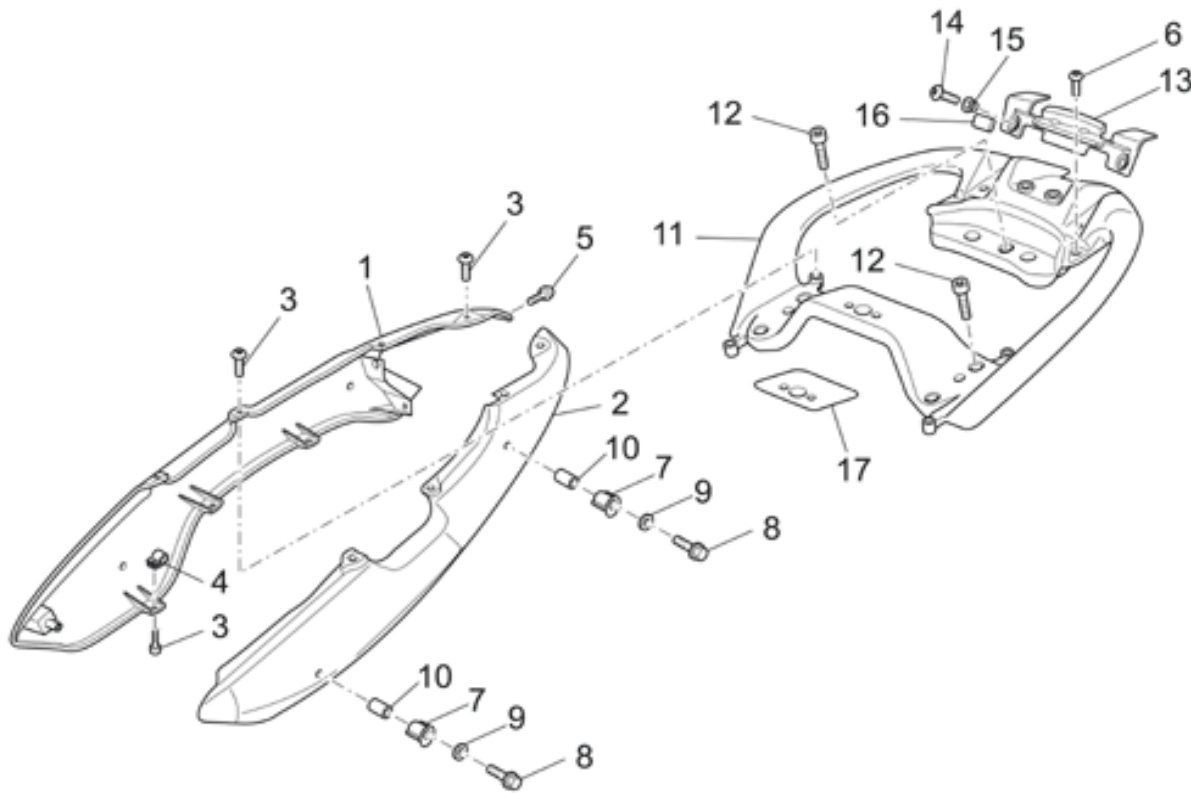


- Please note: If there is no response to CLICKING the link, please download this PDF first and then click on it.

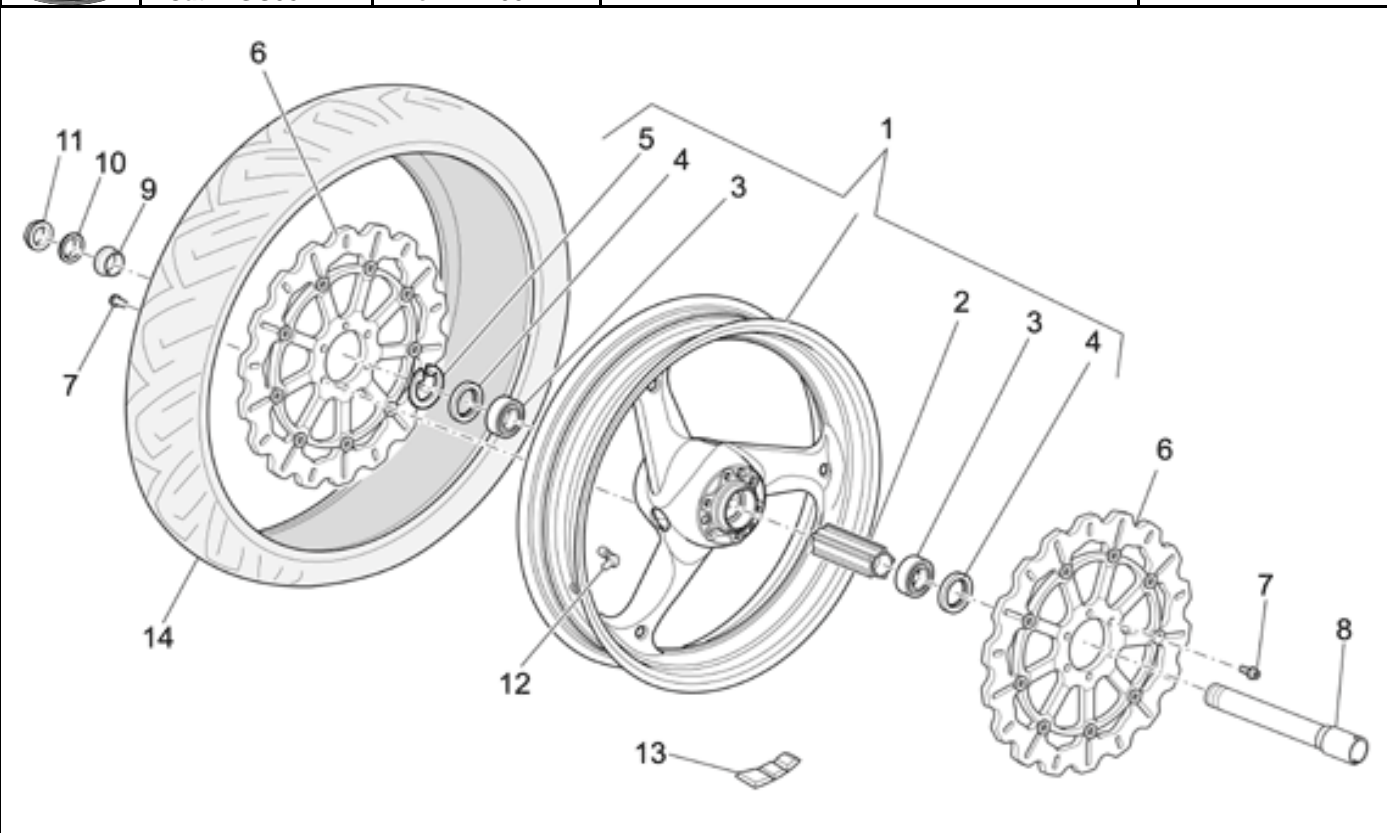
CLICK HERE TO **DOWNLOAD** THE COMPLETE MANUAL



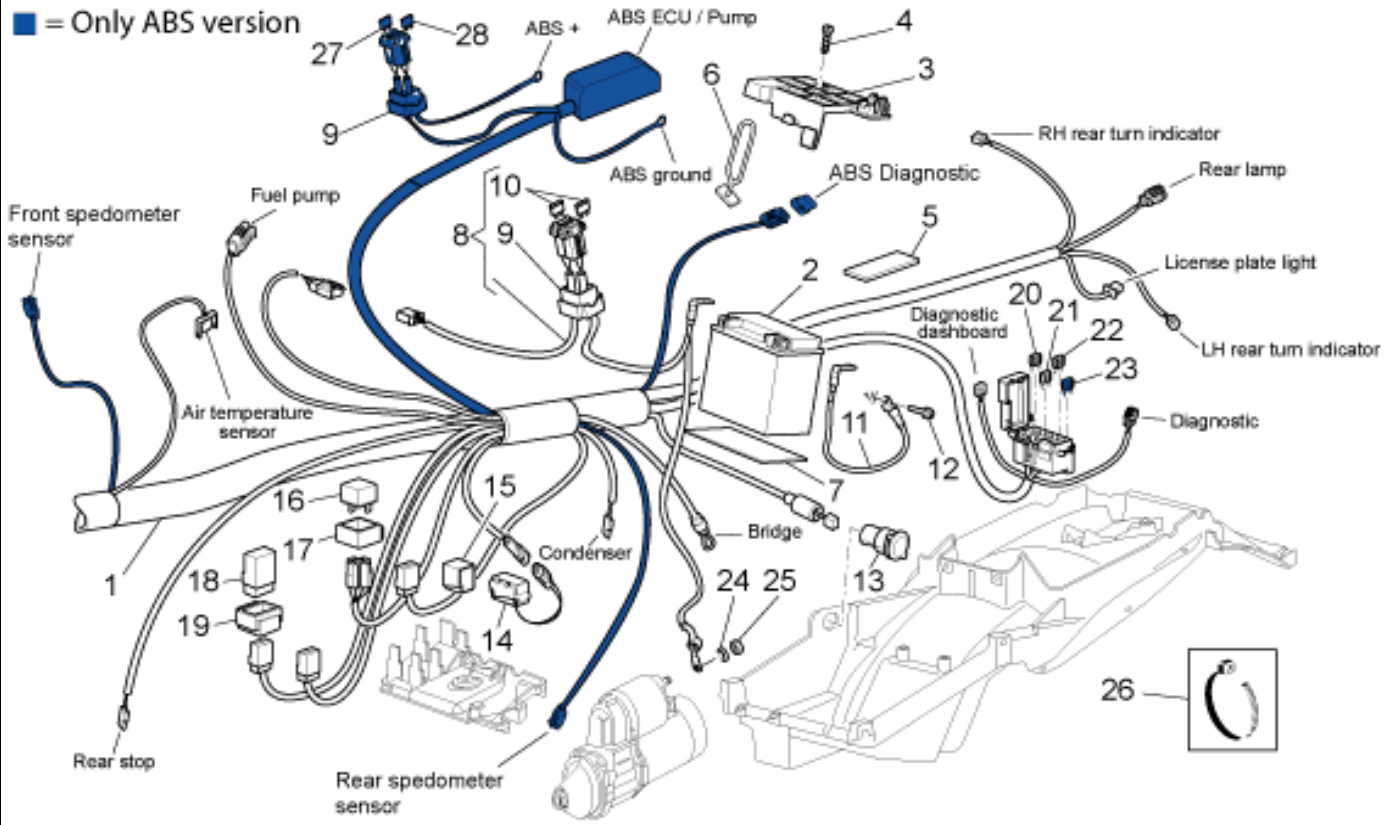
Ref.	Description	Year	I.M.	Country	Version	Code	Qty
1	Transmission assygrey	-	-	-	-	MG976126	1
2	Reaction rod assy.	-	-	-	-	MG977262	1
3	Screw w/ flange	-	-	-	-	AP8152410	2
4	Spacer	-	-	-	-	AP8121218	4
5	Nut	-	-	-	-	AP8152242	2
6	Drive shaft	-	-	-	-	05326330	1



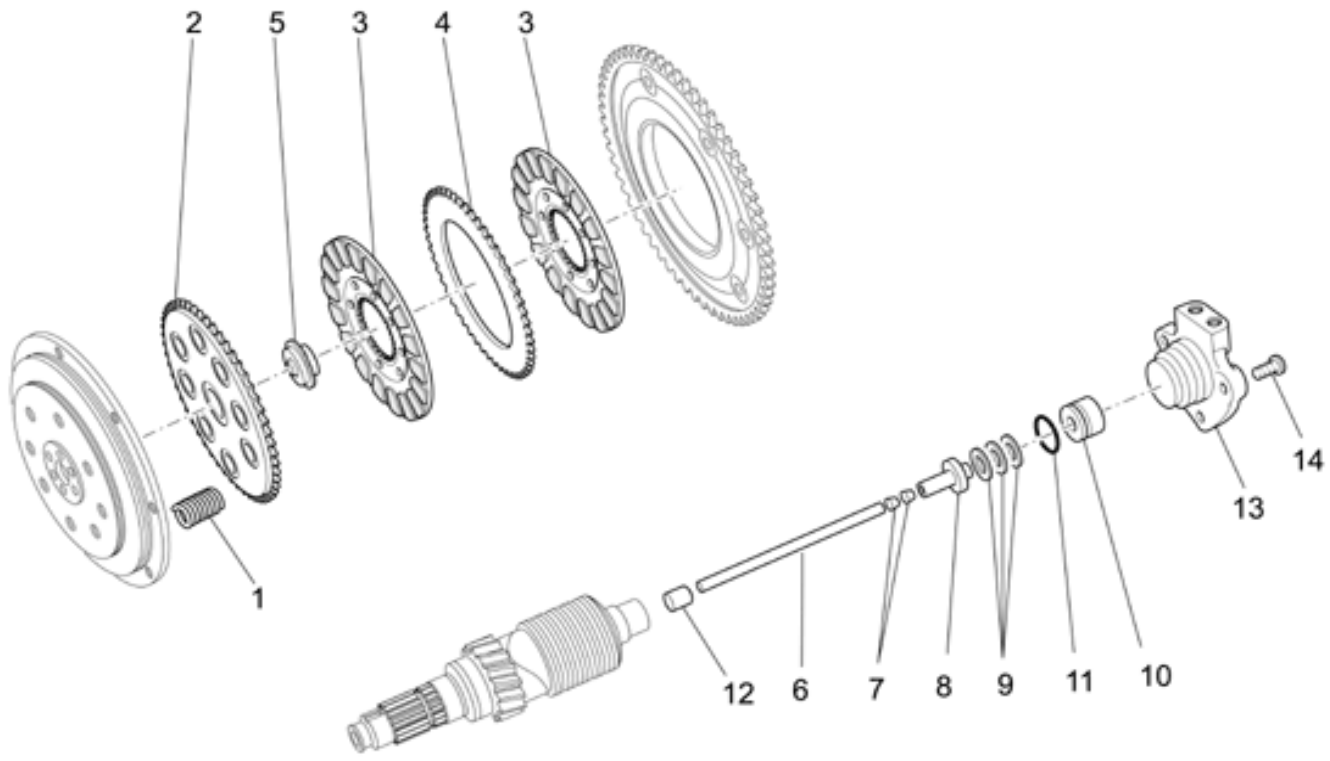
Ref.	Description	Year	I.M.	Country	Version	Code	Qty
1	RH rear fairing, blank	-	-	-	-	05573230	1
	RH rear fairing, black	-	-	-	g/bl	MG05573330Y 02	1
	RH rear fairing, red	-	-	-	r/re	MG05573330Y 01	1
2	LH rear fairing, blank	-	-	-	-	05573330	1
	RH rear fairing, black	-	-	-	g/bl	MG05573330Y 02	1
	RH rear fairing, red	-	-	-	r/re	MG05573330Y 01	1
3	Screw w/ flange	-	-	-	-	AP8152339	10
4	Clip	-	-	-	-	AP8102375	10
5	Hex socket screw M5x15	-	-	-	-	98682215	2
6	Screw w/ flange	-	-	-	-	AP8152302	2
7	Hook	-	-	-	-	05467330	4
8	Screw w/ flange	-	-	-	-	AP8152292	4
9	Washer 8,4x15	-	-	-	-	03270300	4
10	Spacer 9x18x24	-	-	-	-	91120924	4
11	Handle. Black	-	-	-	-	MG05464330N A	1
12	Hex socket screw M8x25	-	-	-	-	98682425	5
13	Cover	-	-	-	-	05464830	1
14	Hex socket screw	-	-	-	-	AP8152055	2
15	T bush	-	-	-	-	AP8121096	2
16	Rubber spacer	-	-	-	-	AP8120455	2
17	Guard decal	-	-	-	-	32944210	1



Ref.	Description	Year	I.M.	Country	Version	Code	Qty
1	Front wheel, black 3,5x17"	-	-	-	-	05610330	1
2	Spacer	-	-	-	-	05615230	1
3	Ball bearing	-	-	-	-	AP8125777	2
4	Gasket ring	-	-	-	-	AP8125773	2
5	Circlip	-	-	-	-	AP8125779	1
6	Front brake disc 320	-	-	-	noABS	MG977835	2
7	Screw w/ flange	-	-	-	-	AP8152286	12
8	Front wheel spindle	-	-	-	-	05614130	1
9	Spacer	-	-	-	-	AP8125791	1
10	Washer 25,2X36X1	-	-	-	-	95005325	1
11	Nut	-	-	-	-	01612190	1
12	Tubeless tyre valve	-	-	-	-	03617710	1
13	Counterweight	-	-	-	-	14616150	1
14	Front/rear tyre 120/70-17"	-	-	-	-	0000000	1



Ref.	Description	Year	I.M.	Country	Version	Code	Qty
1	Main wiring harness	-	-	-	ABS	MG977877	1
	Main wiring harness	-	-	-	noABS	MG977875	1
2	Battery 12V-20Ah	-	-	-	-	05704531	1
3	Battery cover	-	-	-	-	05704630	1
4	Phillips screw, SWP	-	-	-	-	AP8152329	2
5	Adhesive sponge	-	-	-	-	AP8117200	1
6	Headlight supp.snapp	-	-	-	-	AP8120177	2
7	Support rubber part	-	-	-	-	AP8144553	2
8	Wiring	-	-	-	-	05747830	1
9	Rubber fuse box	-	-	-	ABS	AP8112811	2
	Rubber fuse box	-	-	-	noABS	AP8112811	1
10	Fuse 30A	-	-	-	-	28742562	3
11	Ground-battery lead	-	-	-	-	05747930	1
12	Screw w/ flange	-	-	-	-	AP8152277	1
13	Socket	-	-	-	-	AP8124768	1
14	Inclination sensor	-	-	-	-	AP8124266	1
15	Rubber sensor support	-	-	-	-	AP8144046	1
16	Injection relay	-	-	-	-	AP8124869	1
17	Relay rubber	-	-	-	-	AP8220546	1
18	Relay	-	-	-	-	AP8224462	3
19	Rubber spacer	-	-	-	-	AP8220283	3
20	Fuse 20A	-	-	-	-	28742561	2
21	Fuse 15A	-	-	-	-	28742560	4
22	Fuse	-	-	-	-	AP8127346	2
23	Fuse 10A	-	-	-	ABS	28742559	1
24	Washer 8,4x15x1,7	-	-	-	-	95129131	1
25	Nut M8x1,25	-	-	-	-	92609408	1
26	Hose clamp 3,6x20,6	-	-	-	-	14609650	23
	Hose clamp 7,6x380	-	-	-	-	93304360	2
27	Fuse ABS-25A	-	-	-	ABS	MG977761	2
28	Fuse ABS-40A	-	-	-	ABS	MG977762	2



Ref.	Description	Year	I.M.	Country	Version	Code	Qty
1	Clutch spring	-	-	-	-	04084100	5
	Clutch spring	-	-	-	RS	13084100	5
2	Disc	-	-	-	-	30082900	1
3	Clutch plate complete	-	-	-	-	05084430	2
4	Intermediate plate	-	-	-	-	12082300	1
5	Cup	-	-	-	-	04082800	1
6	Rod	-	-	-	-	05085730	1
7	Bush	-	-	-	-	14085900	2
8	Inner body	-	-	-	-	14086000	1
9	Thrust bearing	-	-	-	-	12087001	1
10	Clutch control cylinder	-	-	-	-	04086100	1
11	O-ring 17,13x2,62	-	-	-	-	90706170	1
12	Bush	-	-	-	-	05217630	1
13	Clutch command cylinder	-	-	-	-	05086330	1
14	Screw w/ flange	-	-	-	-	AP8152278	3

CLICK HERE TO **DOWNLOAD** THE COMPLETE MANUAL

- Thank you very much for reading the preview of the manual.
- You can download the complete manual from: www.heydownloads.com by clicking the link below



- Please note: If there is no response to CLICKING the link, please download this PDF first and then click on it.

CLICK HERE TO **DOWNLOAD** THE COMPLETE MANUAL