

2000 JEEP WRANGLER (TJ)

PARTS CATALOG

ILLUSTRATION AND TEXT
(CHASSIS - BODY - TRIM)

SUPERSEDES
October 2001
ENGLISH



Jeep

CHRYSLER • PLYMOUTH • DODGE • JEEP

THE MOPAR DIFFERENCE

INDEX TO INFORMATION PAGES

The use of this Parts Catalog and the arrangement of information herein is explained in the General Information Section as indexed below.

Abbreviations	INF-13
Alphabetic Index	INF-10
Body Code Plate Interpretation	INF-12
Catalog Groups - Titles & Contents	INF-2
How to Use This Catalog and Locate Parts	INF-8
Illustration Index	INF-10
Illustration Numbering Index	INF-9
Index.....	INF-1
Logical Illustration Index.....	INF-3
Logical Illustrations	INF-9
Numerical Index	INF-10
Page Numbering.....	INF-9
Part Packages	INF-10
Standard Parts.....	INF-10
Symbols Used in this Catalog.....	INF-9
VIN Plate Decoding Information	INF-11

CLICK HERE TO **DOWNLOAD** THE COMPLETE MANUAL

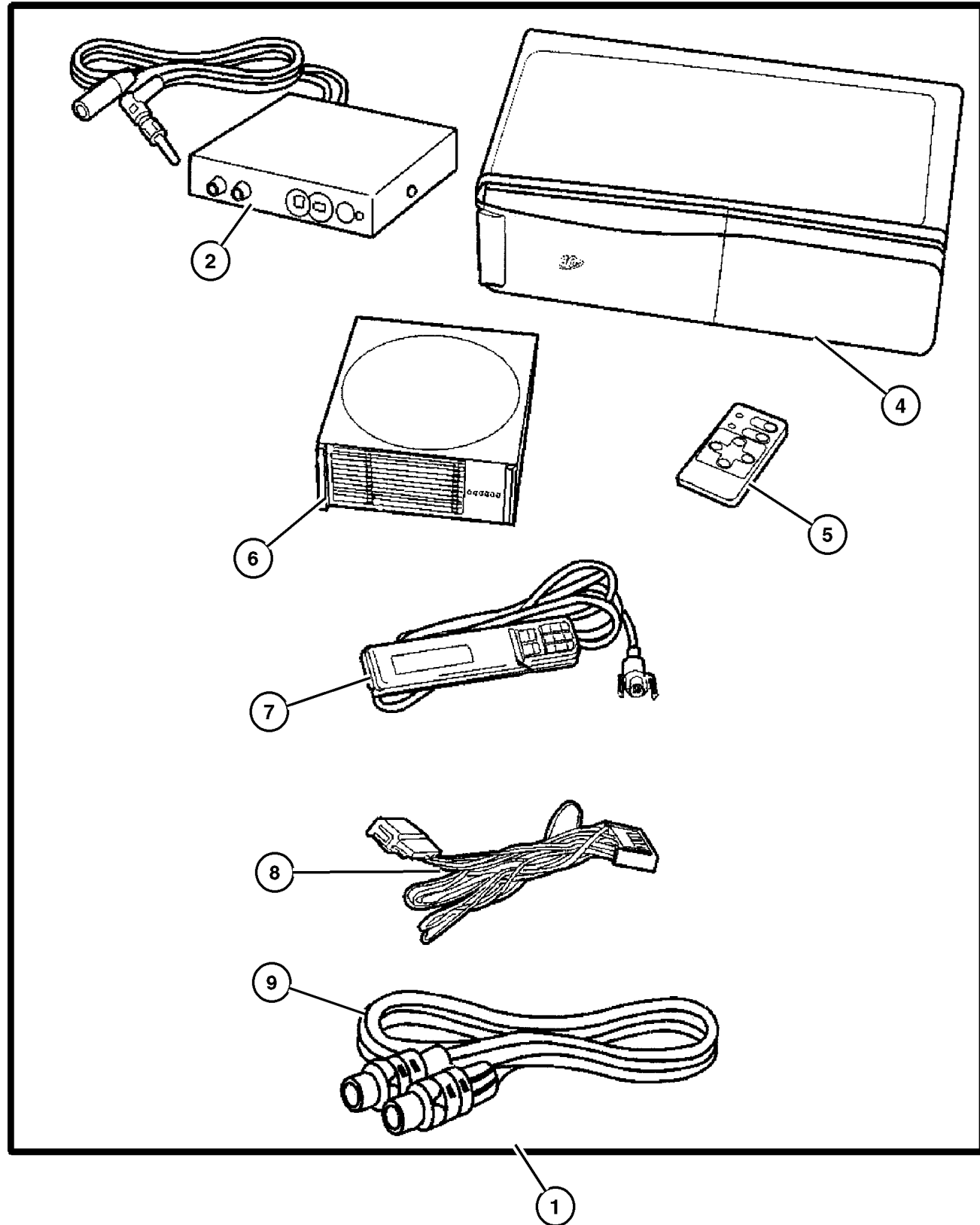
- Thank you very much for reading the preview of the manual.
- You can download the complete manual from: www.heydownloads.com by clicking the link below



- Please note: If there is no response to CLICKING the link, please download this PDF first and then click on it.

CLICK HERE TO **DOWNLOAD** THE COMPLETE MANUAL

Player Kit - 12 Disc
Figure 001-120



ITEM	PART NUMBER	QTY	LINE	BODY	DESCRIPTION
NOTE; For radio without CD controls. Pentastar Logo, Includes RF Modulator, Power Cord, Din Cord, Hand Held and IR Remote Controller and Operating manual, 12 Disc Magazine.					
1	8220 4730	1	J	77	PLAYER KIT, CD Changer - 12 Disc
2	5013 804AA	1	J	77	MODULATOR, FM
-3	5013 800AA	1	J	77	HARDWARE KIT, Mounting
4	5013 806AA	1	J	77	CHANGER, CD
5	5013 802AA	1	J	77	CONTROLLER, CD Wireless
6	5013 805AA	1	J	77	MAGAZINE, CD Changer
7	5013 803AA	1	J	77	CONTROLLER, CD Wired
8	4465 117	1	J	77	ADAPTOR, A/C
9	5013 801AA	1	J	77	DIN CORD, CD Player

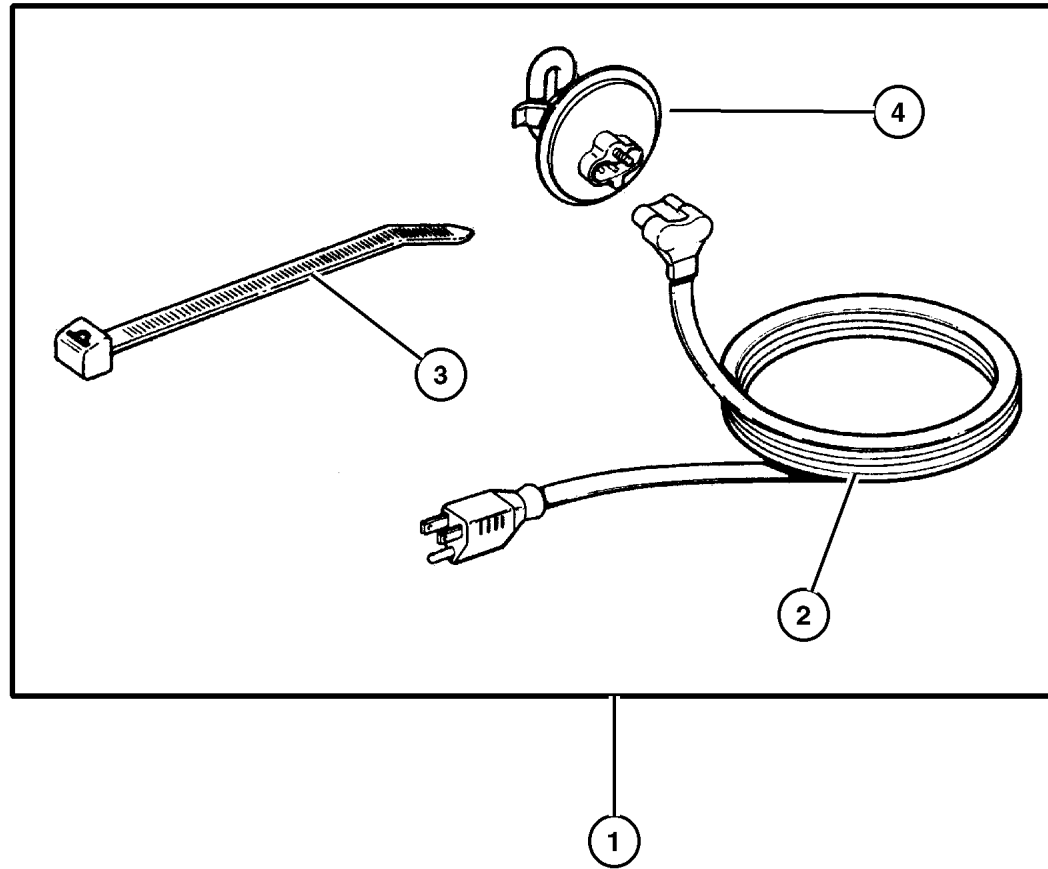
JEEP WRANGLER (TJ)				
SERIES	LINE	BODY	ENGINE	TRANSMISSION
H=Sport	J = Wrangler 4WD	77=93.4 WB	EPE, EP0 = 2.5L Power Tech	DGG, DGD = 32RH 3 Spd. Auto.
L=SE	U = Wrangler 4WD (RHD)		ERH, ER0 = 4.0L Power Tech	DDQ = 5 Spd. Manual
P=Sahara				DDD = 5 Speed HD Manual
				DG0 = Auto Trans.
				DBB = Manual Trans.
				DDO = All 5 Speed Manual

AR = Use as required - = Non illustrated part # = New this model year

February 6, 2002

**Heater Kit - Engine Block
Figure 001-650**

ITEM	PART NUMBER	QTY	LINE	BODY	DESCRIPTION
1					HEATER PACKAGE, Engine Block
	8220 1505	1			2.5L Engine
	8220 1506	1			4.0L Engine
2					CORD, Engine Block Heater
	5300 0878	1	J	77	2.5L Engine
	J575 2677	1	J	77	4.0L Engine
3	6015 756	3			STRAP, Tie
4					HEATER, Engine Block, Serviced only in package, (NOT SERVICED)



JEEP WRANGLER (TJ)				
SERIES	LINE	BODY	ENGINE	TRANSMISSION
H=Sport	J = Wrangler 4WD	77=93.4 WB	EPE, EP0 = 2.5L Power Tech	DGG, DGD = 32RH 3 Spd. Auto.
L=SE	U = Wrangler 4WD (RHD)		ERH, ER0 = 4.0L Power Tech	DDQ = 5 Spd. Manual
P=Sahara				DDD = 5 Speed HD Manual
				DG0 = Auto Trans.
				DBB = Manual Trans.
				DDO = All 5 Speed Manual

AR = Use as required - = Non illustrated part # = New this model year

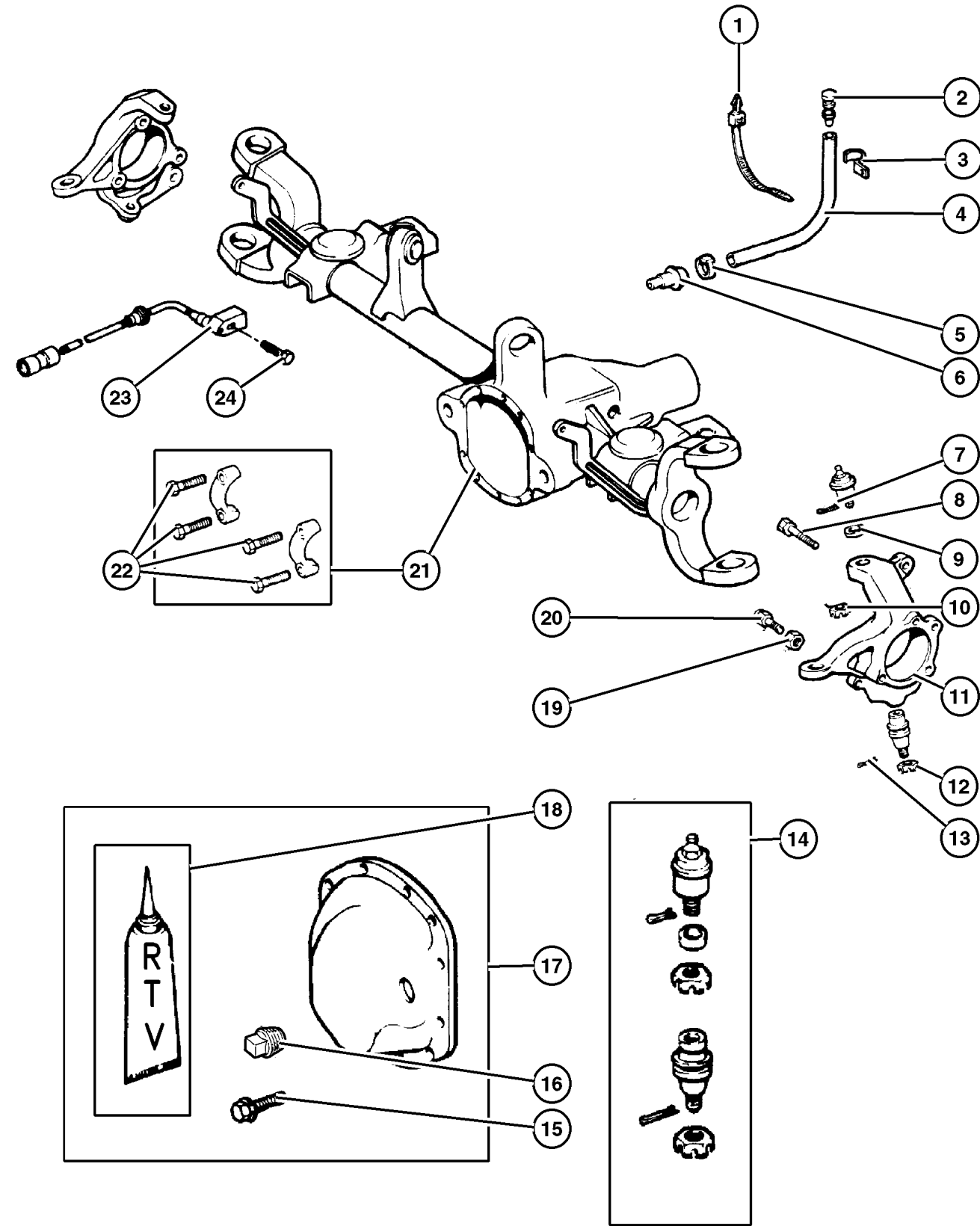
February 6, 2002

Housing, Front Axle 4 Wheel Drive Figure 002-310

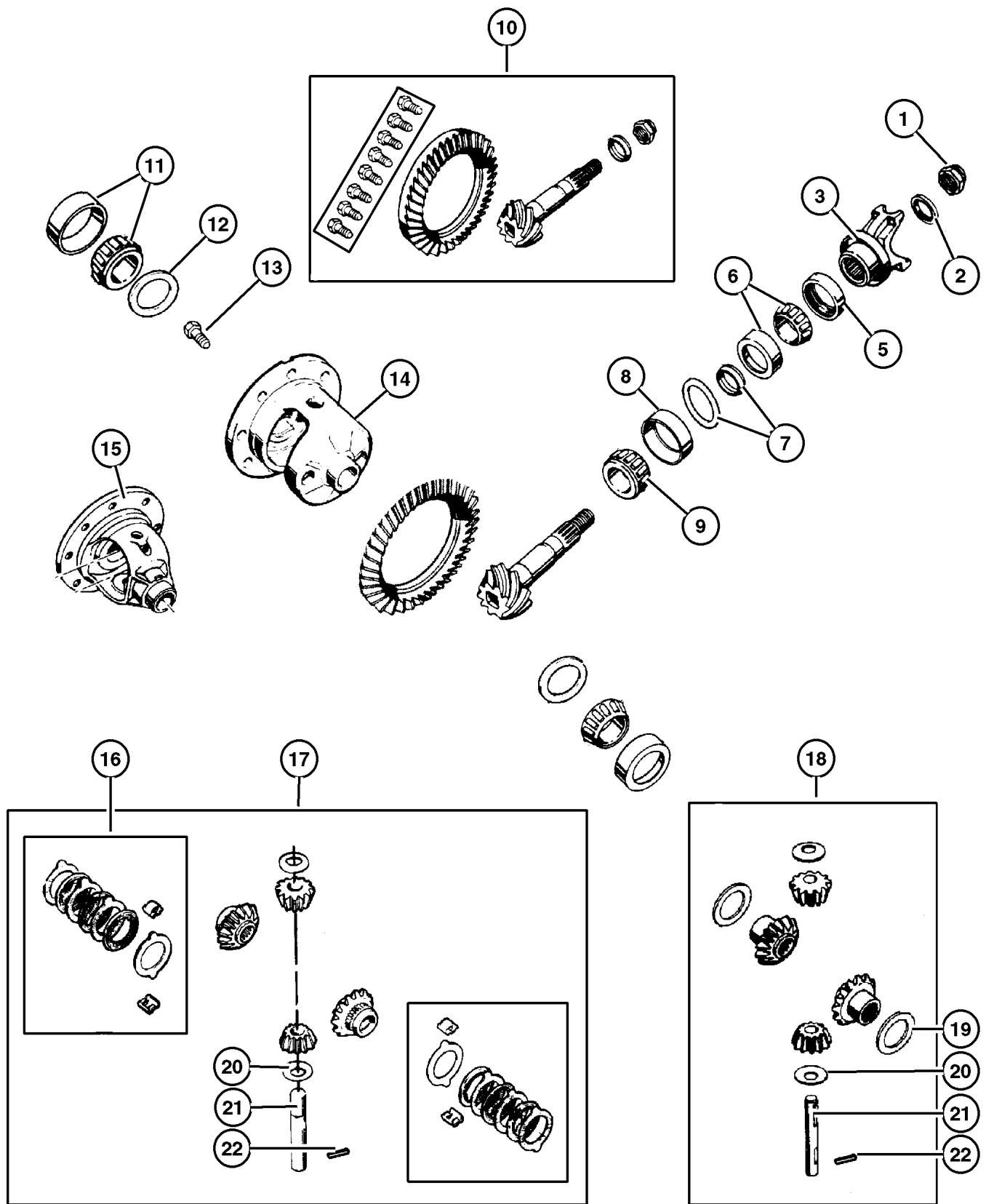
ITEM	PART NUMBER	QTY	LINE	BODY	ENGINE	TRANS	DESCRIPTION
1	J417 5376	1					STRAP, Tie
2	J535 2955	1					VENT, Axle, Upper
3	J014 0780	1					CLIP, Wrap Around
4	HFV0 0516	1					HOSE, Fuel And Vapor, 25 Foot Roll 5/16"
5	6503 573	1					CLIP
6	4720 944	1	J				VENT, Axle
7		1	U				
8	1101 0069	6	J				PIN, Cotter, M4x40.00
		6	U				
9	3420 1535	6	J				BOLT
		6	U				
10	8350 0203	2	J				RING, Ball Joint
		2	U				
11	J012 5258	2	J				NUT, Hex Slotted
		2	U				
12		1	J				KNUCKLE, Front
	5206 7576	1	J				Right
	5206 7577	1	J				Left
	5206 7576	1	U				Right
	5206 7577	1	U				Left
13	J812 3318	2	J				NUT
		2	U				
14	1101 0069	6	J				PIN, Cotter, M4x40.00
		6	U				
15	8350 0202	2	J				BALL JOINT KIT, Knuckle
		2	U				
16	2954 031	10	J				BOLT, Differential Cover
		10	U				
17	J400 4751	1	J				PLUG, Differential Cover
		1	U				
18	4713 451	1	J				COVER, Differential

JEEP WRANGLER (TJ)

SERIES	LINE	BODY	ENGINE	TRANSMISSION
H=Sport	J = Wrangler 4WD	77=93.4 WB	EPE, EP0 = 2.5L Power Tech	DGG, DGD = 32RH 3 Spd. Auto.
L=SE	U = Wrangler 4WD (RHD)		ERH, ER0 = 4.0L Power Tech	DDQ = 5 Spd. Manual
P=Sahara				DDD = 5 Speed HD Manual
				DG0 = Auto Trans.
				DBB = Manual Trans.
				DDO = All 5 Speed Manual



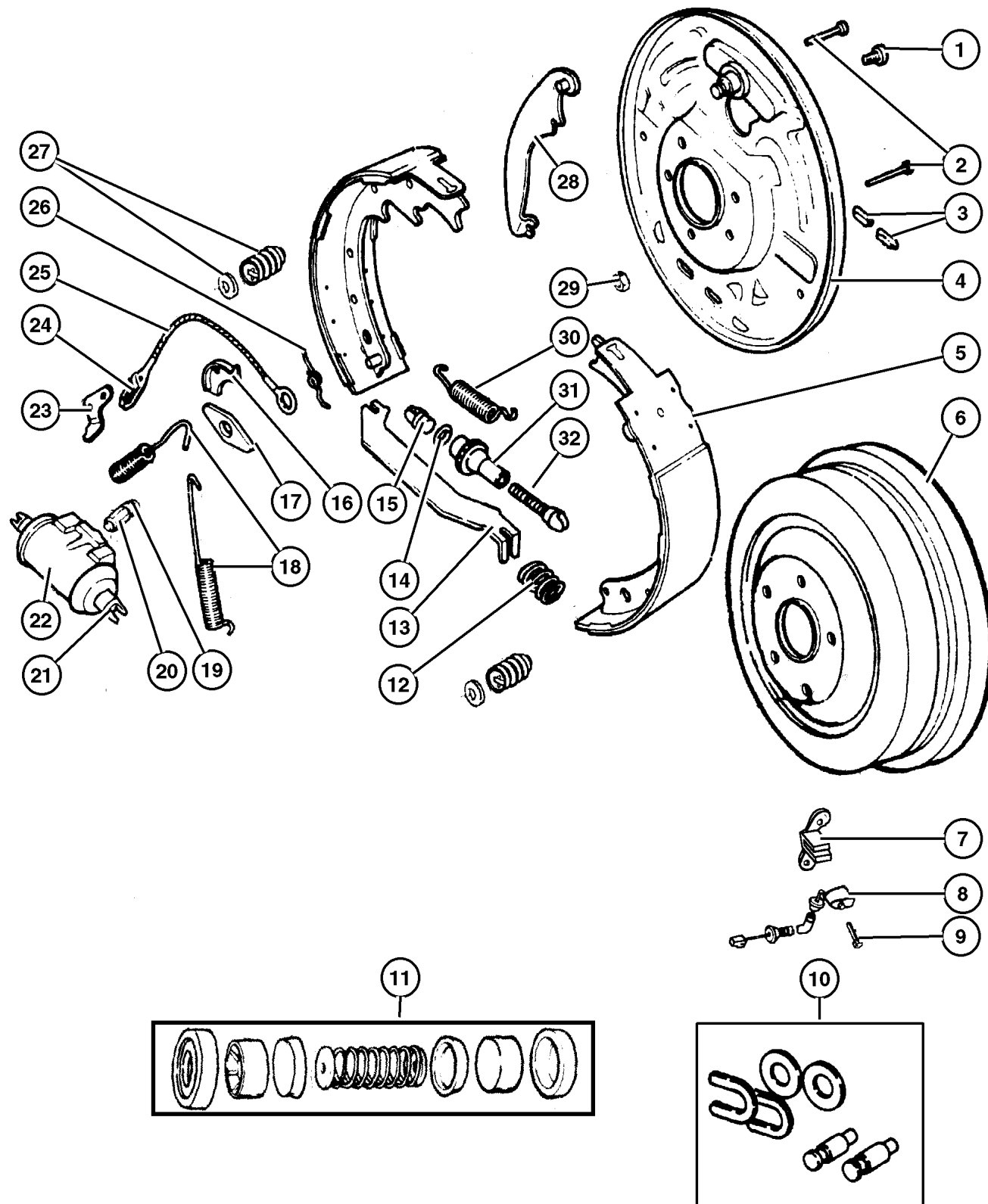
Differential, With and Without Trac-Lok [DSA] Dana 44/226MM [DRK]
Figure 003-240



ITEM	PART NUMBER	QTY	LINE	SERIES	BODY	DESCRIPTION
Note: Sales Codes; manual, 12 Disc Magazine.						
[DME]=Axle Ratio - 3.73 manual, 12 Disc Magazine.						
[DMM]=Axle Ratio - 3.07 manual, 12 Disc Magazine.						
[DRK]=Axle - Rear, Dana 44/226MM manual, 12 Disc Magazine.						
[DSA]=Axle - Anti-Spin Differential manual, 12 Disc Magazine.						
1	1791 575	1	J			NUT, Pinion Yoke
2	1791 576	1	J			WASHER, Pinion Yoke
3	4897 026AA	1	J			YOKE, Axle
-4	4031 974	1	J			SLINGER, Drive Pinion
5	#5019 154AA	1	J			SEAL, Drive Pinion
6	4746 772	1	U			BEARING, Drive Pinion
7	J812 4052	1	J			Bearing and Cup, Front
		1	U			Bearing and Cup, Front
	J812 9221	1	J			SHIM KIT, Pinion Shaft
		1	U			
8	0698 413	1	J			CUP, Bearing Inner
		1	U			Rear
		1	U			Rear
9	J080 7266	1	J			BEARING, Drive Pinion
		1	U			Rear
		1	U			Rear
10	4882 352	1	J			GEAR KIT, Ring And Pinion
		1	U			[DME]
	8350 4197	1	U			[DME]
		1	U			[DMM]
11	4746 733	1	J			BEARING, Differential Case
		1	U			Consists of 2 Bearings and 2 Cups
		1	U			Consists of 2 Bearings and 2 Cups
12	J812 9222	1	J			SHIM KIT, Differential
		1	U			
13						SCREW, Drive Gear

JEEP WRANGLER (TJ)
 SERIES LINE BODY ENGINE TRANSMISSION
 H=Sport J = Wrangler 4WD 77=93.4 WB EPE, EP0 = 2.5L Power Tech DGG, DGD = 32RH 3 Spd. Auto.
 L=SE U = Wrangler 4WD (RHD) ERH, ER0 = 4.0L Power Tech DDQ = 5 Spd. Manual
 P=Sahara DDD = 5 Speed HD Manual
 DGO = Auto Trans.
 DBB = Manual Trans.
 DDO = All 5 Speed Manual

Rear Drum Brakes Figure 005-210



ITEM	PART NUMBER	QTY	LINE	BODY	DESCRIPTION
12					SPRING, Parking Brake Strut, Purchase Strut, (NOT SERVICED)
13	4713 590	1	J		STRUT, Parking Brake
		1	U		
14	6027 559	1	J		WASHER, Adjuster Button
		1	U		
15					BUTTON, Rear Brake Auto Adjust
	2944 586	1	J		
		1	U		
16					GUIDE, Brake Adjusting Cable
	2260 793	1	J		
		1	U		
17					PLATE, Brake Shoe Guide
	4313 075	1	J		
		1	U		
18					SPRING, Brake Shoe Return
	2881 676	2	J		
		2	U		
19					CAP, Bleeder
	4238 717	1	J		
		1	U		
20					SCREW, Bleeder
	3766 674	1	J		
		1	U		
21					LINK, Brake, Purchase Wheel Cylinder , (NOT SERVICED)
22					CYLINDER, Wheel
	4423 601	1	J		Up To and Including 03-09-00
	4313 056	1	J		03-10-00 and After
	4423 601	1	U		Up To and Including 03-09-00
	4313 056	1	U		03-10-00 and After
23					LEVER, Park Brake Adjusting
	4761 759	1	J		
		1	U		
24					SPRING, Adjuster Cable
	3461 660	1	J		
		1	U		
25					CABLE, Brake Automatic Adjuster
	3461 662	1	J		
		1	U		
26					SPRING, Brake Auto Adjuster Lever

JEEP WRANGLER (TJ)

SERIES
H=Sport
L=SE
P=Sahara

LINE
J = Wrangler 4WD
U = Wrangler 4WD (RHD)

BODY
77=93.4 WB

ENGINE
EPE, EP0 = 2.5L Power Tech
ERH, ER0 = 4.0L Power Tech

TRANSMISSION
DGG, DGD = 32RH 3 Spd. Auto.
DDQ = 5 Spd. Manual
DDD = 5 Speed HD Manual
DG0 = Auto Trans.
DDB = Manual Trans.
DD0 = All 5 Speed Manual

Group – 006

Clutch

GROUP 6 - Clutch

Illustration Title

Group-Fig. No.

Clutch

CLUTCH Fig. 006-110

Clutch Housing

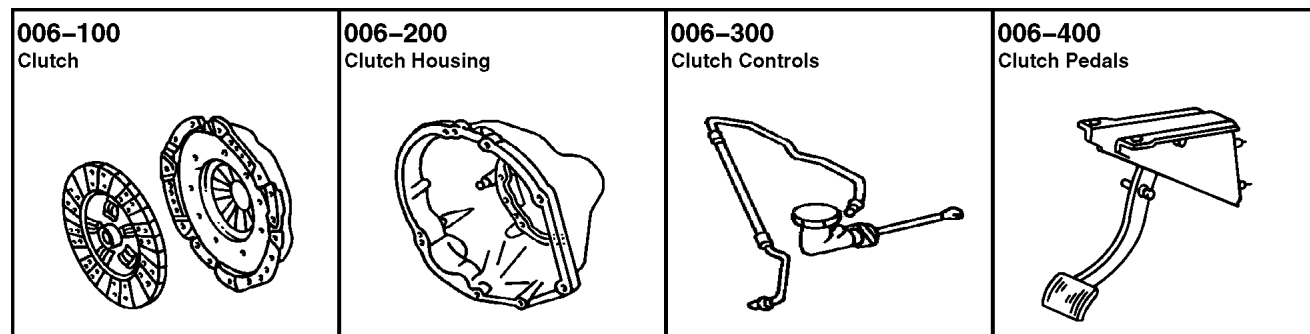
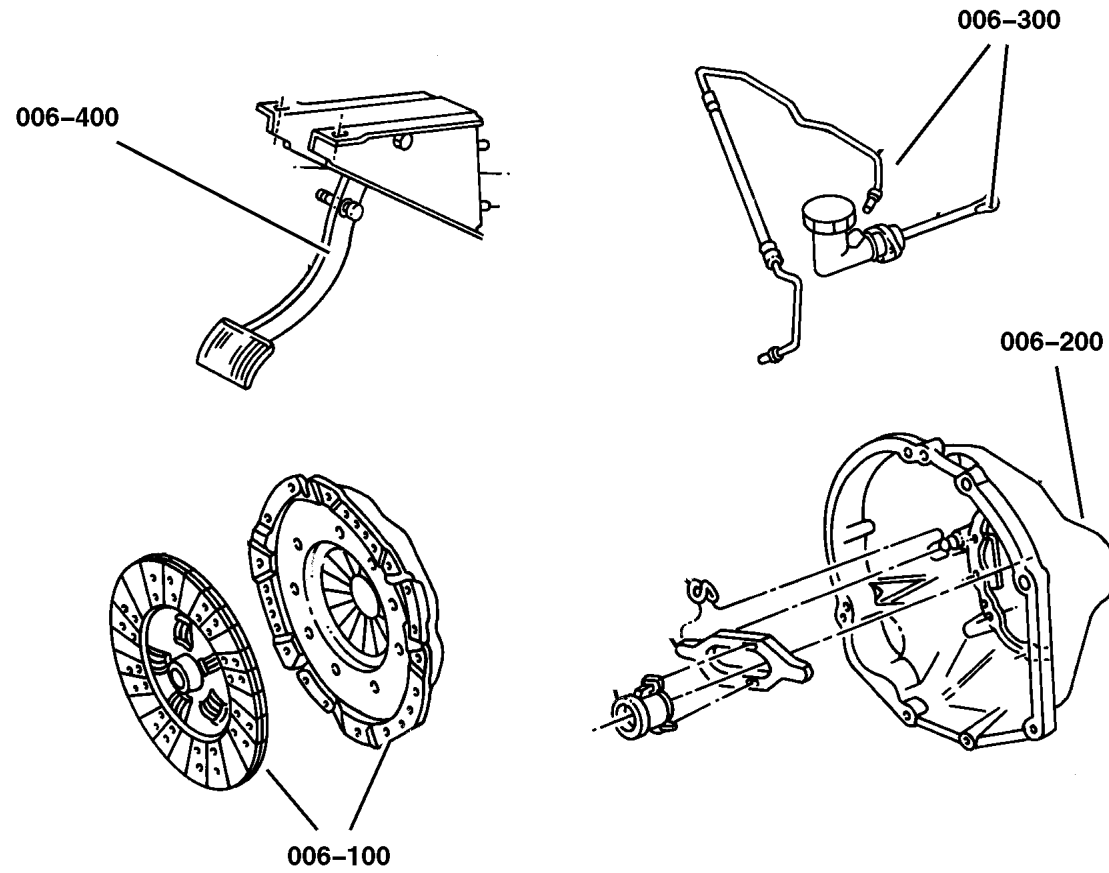
Housing and Pan, Clutch Fig. 006-210

Clutch Controls

Control, Clutch Fig. 006-310

Clutch Pedals

Pedal, Clutch Fig. 006-410



Drive Pulleys Figure 007-405

ITEM	PART NUMBER	QTY	LINE	ENGINE	TRANS	DESCRIPTION
------	-------------	-----	------	--------	-------	-------------

Note: Sales Code EP0 = 2.5L Gas Engine manual, 12 Disc Magazine.

Note: Sales Code ER0 = 4.0L Gas Engine manual, 12 Disc Magazine.

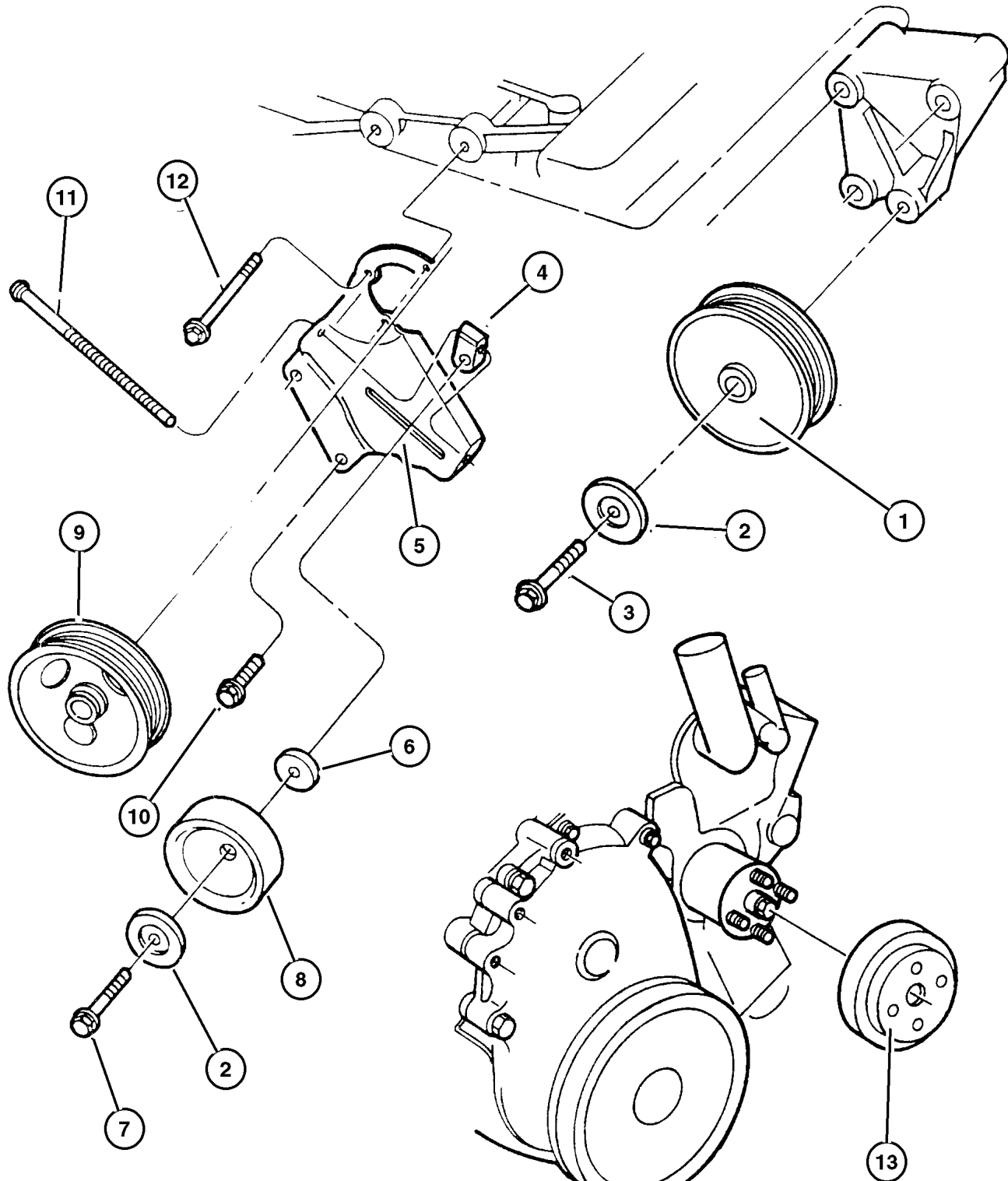
1						PULLEY, Idler
	4792 112	1		EP0		
	4854 092	1		ER0		
2	3300 2201	1		EP0		BUSHING, Idler Pulley
3	6504 239	1		EP0		SCREW AND WASHER, M10x1.5x40
4	5301 0149	1		EP0		COLLAR, Tensioner Adjustment
5	5301 0148	1		EP0		BRACKET, Tensioner
6	6503 230	1		EP0		SPACER, Belt Tensioner
7	3420 2029	1		EP0		BOLT, Hex Flange Head, M10x1.50x50
8						PULLEY, Idler
	4792 112	1		EP0		
	4854 092	1		ER0		
9						PULLEY, Power Steering Pump
	53010 258AB	1		EP0		
		1		ER0		
10						SCREW, (NOT SERVICED)
11	6503 198	1		EP0		BOLT
12						SCREW, (NOT SERVICED)
13						PULLEY, Water Pump
	5300 7154	1		EP0		
	4854 032	1		ER0		
-14	6034 860	4		EP0, ER0		BOLT AND WASHER, Implement Attaching
-15	4854 089	1		ER0		TENSIONER, Alternator Belt

JEEP WRANGLER (TJ)

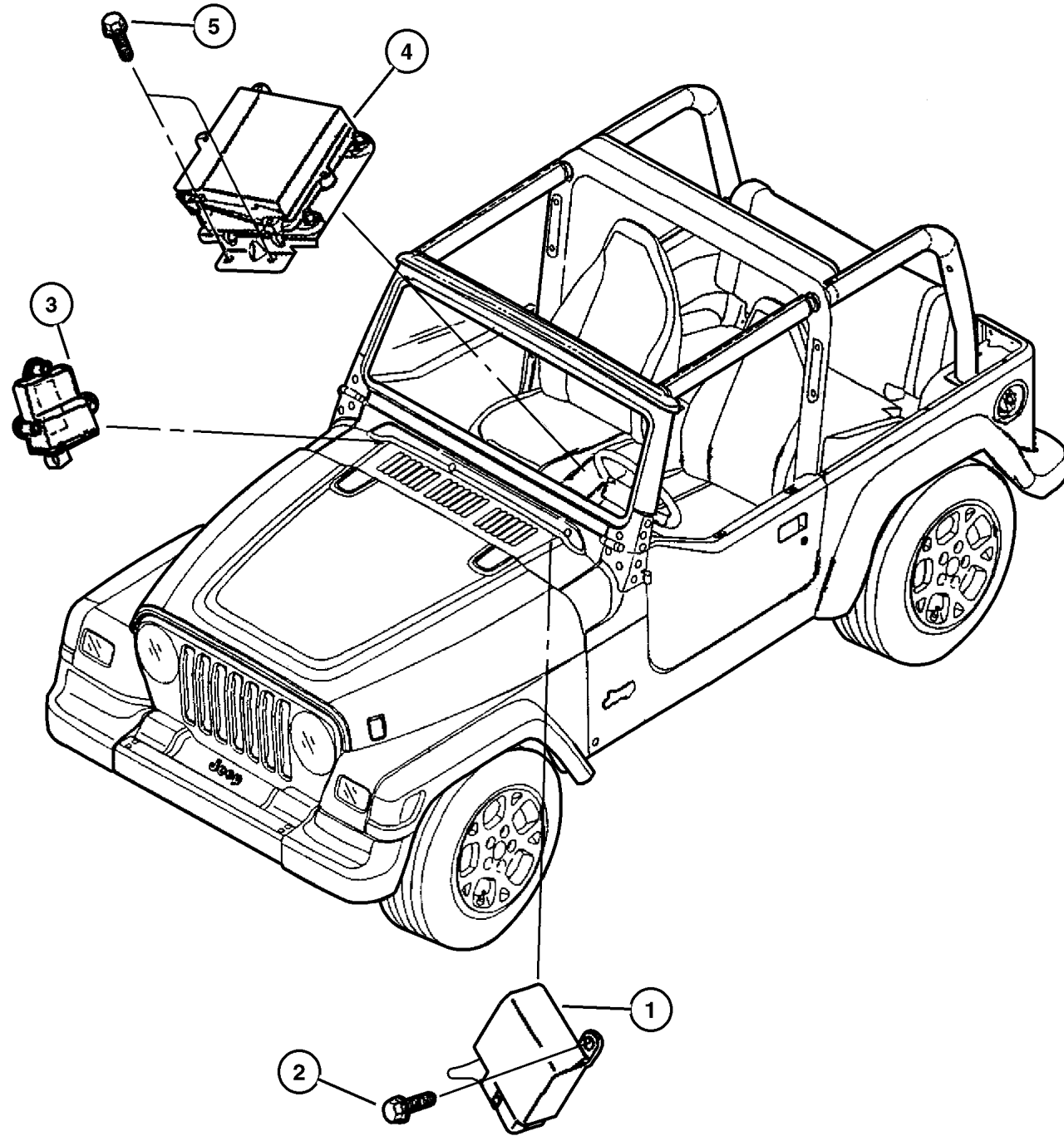
SERIES	LINE	BODY	ENGINE	TRANSMISSION
H=Sport	J = Wrangler 4WD	77=93.4 WB	EPE, EP0 = 2.5L Power Tech	DGG, DGD = 32RH 3 Spd. Auto.
L=SE	U = Wrangler 4WD (RHD)		ERH, ER0 = 4.0L Power Tech	DDQ = 5 Spd. Manual
P=Sahara				DDD = 5 Speed HD Manual
				DG0 = Auto Trans.
				DBB = Manual Trans.
				DD0 = All 5 Speed Manual

AR = Use as required - = Non illustrated part # = New this model year

February 6, 2002



Modules
Figure 008-405



ITEM	PART NUMBER	QTY	LINE	SERIES	BODY	ENGINE	TRANS	DESCRIPTION
1	5600 4262	1						MODULE, Daytime Running Lamp, Daytime Running Lamp
2								SCREW, 250-14x.625 (Not Serviced) ***, (NOT SERVICED)
3								MODULE, Immobilizer, (NOT REQUIRED)
4	56010 105AD	1						MODULE, Air Bag Control
5								SCREW, M6.3x1.81x20.00 , (NOT SERVICED)

JEEP WRANGLER (TJ)

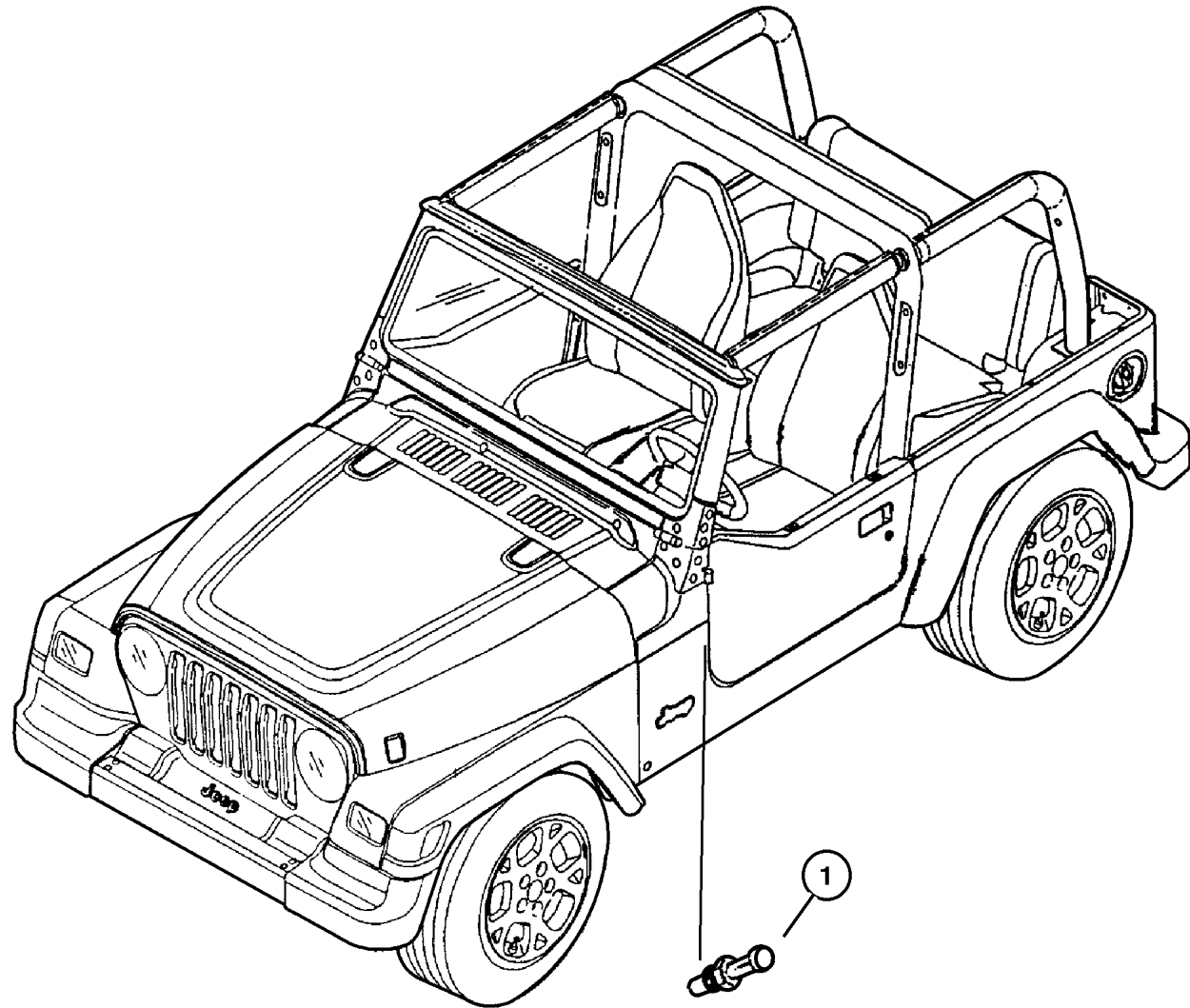
SERIES	LINE	BODY	ENGINE	TRANSMISSION
H=Sport	J = Wrangler 4WD	77=93.4 WB	EPE, EP0 = 2.5L Power Tech	DGG, DGD = 32RH 3 Spd. Auto.
L=SE	U = Wrangler 4WD (RHD)		ERH, ER0 = 4.0L Power Tech	DDQ = 5 Spd. Manual
P=Sahara				DDD = 5 Speed HD Manual
				DG0 = Auto Trans.
				DBB = Manual Trans.
				DDO = All 5 Speed Manual

AR = Use as required - = Non illustrated part # = New this model year

February 6, 2002

Switches Body
Figure 008-815

ITEM	PART NUMBER	QTY	LINE	SERIES	BODY	ENGINE	TRANS	DESCRIPTION
1	4687 558	2						SWITCH, Door Ajar



JEEP WRANGLER (TJ)

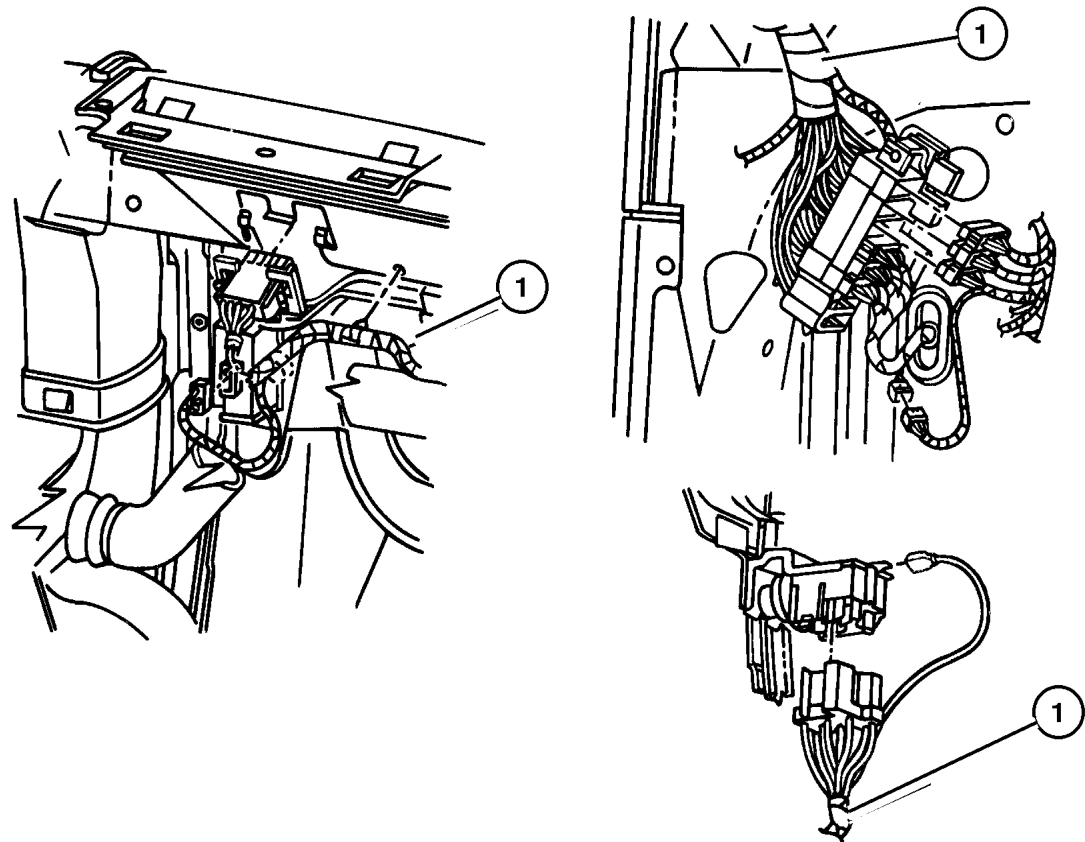
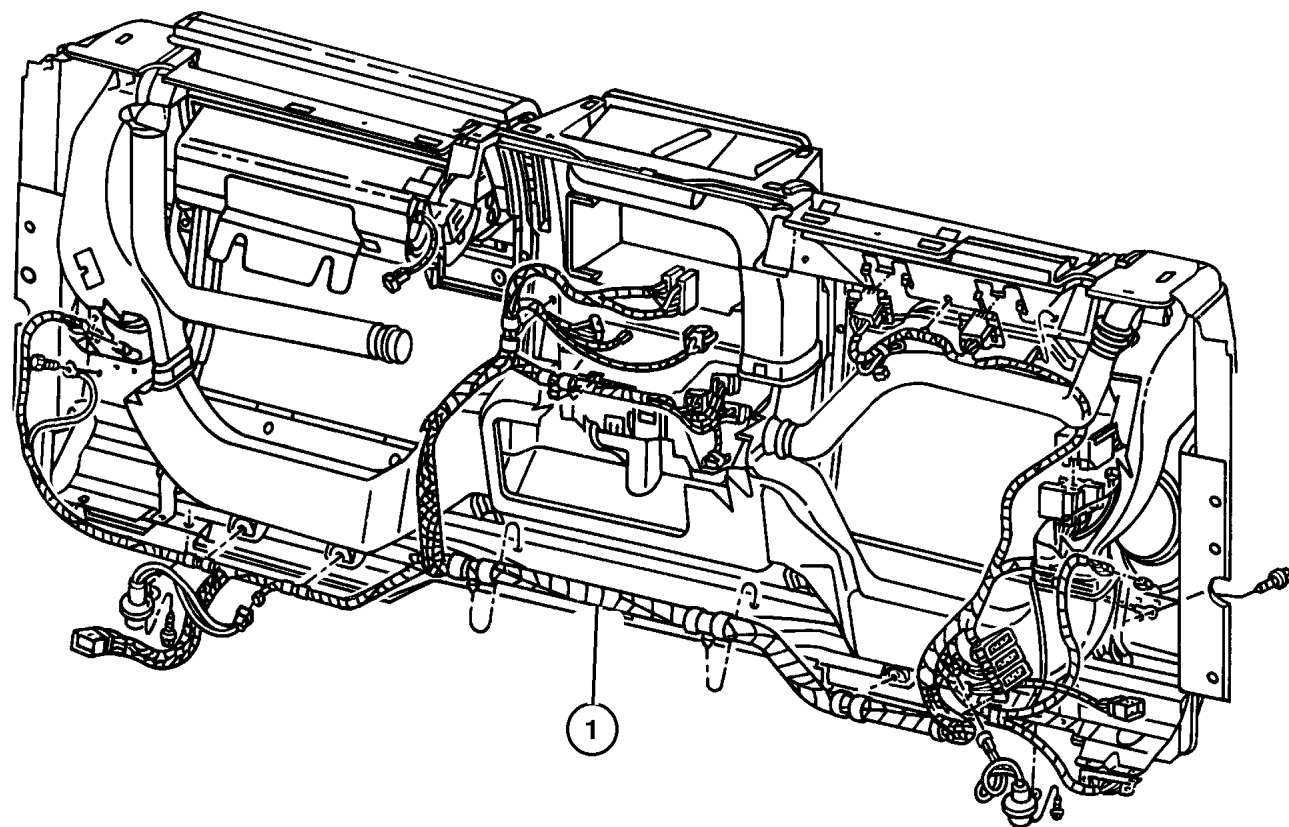
SERIES	LINE	BODY	ENGINE	TRANSMISSION
H=Sport	J = Wrangler 4WD	77=93.4 WB	EPE, EP0 = 2.5L Power Tech	DGG, DGD = 32RH 3 Spd. Auto.
L=SE	U = Wrangler 4WD (RHD)		ERH, ER0 = 4.0L Power Tech	DDQ = 5 Spd. Manual
P=Sahara				DDD = 5 Speed HD Manual
				DG0 = Auto Trans.
				DBB = Manual Trans.
				DDO = All 5 Speed Manual

AR = Use as required - = Non illustrated part # = New this model year

February 6, 2002

Wiring Instrument Panel & Fuses Figure 008-1405

ITEM	PART NUMBER	QTY	LINE	SERIES	BODY	ENGINE	TRANS	DESCRIPTION
DG0=Automatic Transmission manual, 12 Disc Magazine.								
1								WIRING, Instrument Panel
	56010 104AH	1	J					Soft Top
	56010 108AH	1	J					Hard Top
	56010 131AH	1	J					Europe
	56010 205AH	1	U					Europe
-2	56009 391AF	1						LABEL, Fuse Block
-3	6102 077AA	1						FUSE CARTRIDGE, 40 Amp
-4	6101 486	1						FUSE, Mini, 10 AMP, Red
-5	6101 488	1					DG0	FUSE, Mini, 20 AMP, Yellow
-6	00MA X40	1						FUSE, Maxi, 40 AMP, Amber
-7								FLASHER
	5600 9339	1						USA/CANADA
	5600 9345	1						EUROPE



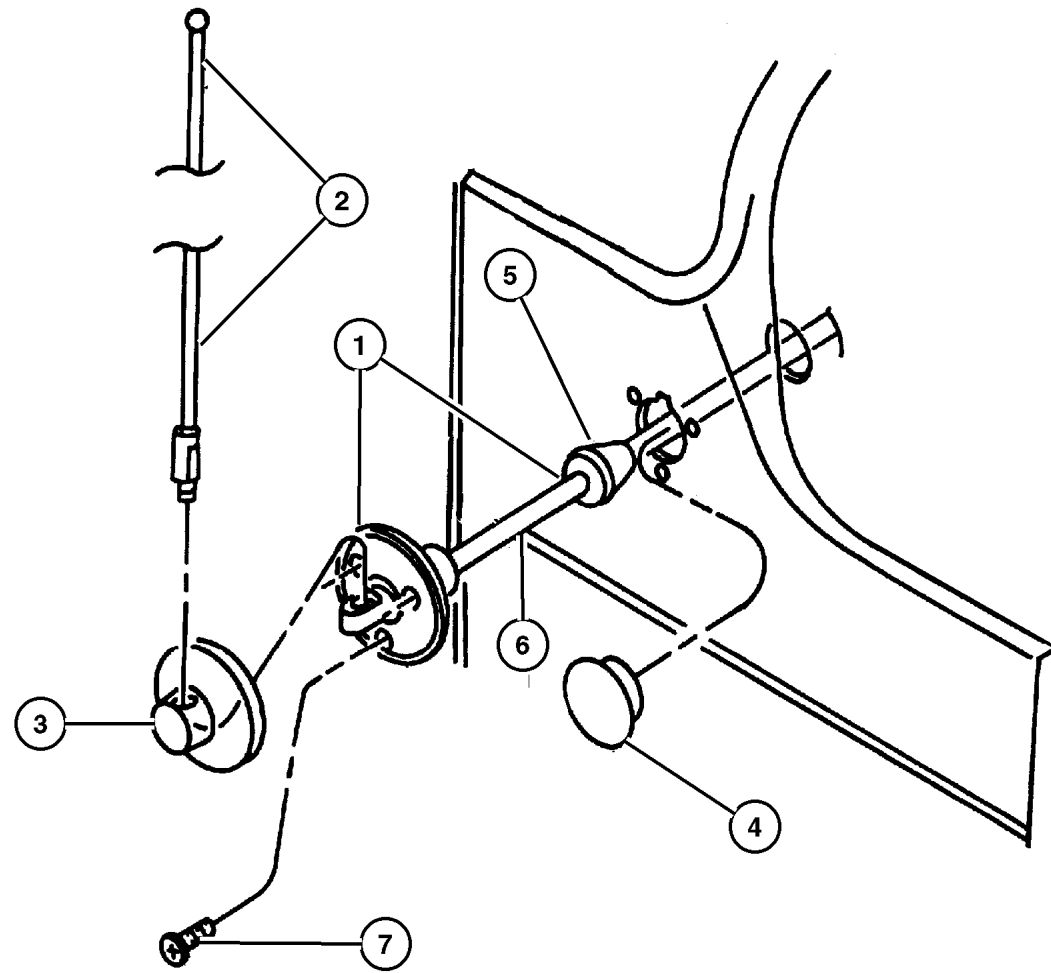
JEEP WRANGLER (TJ)				
SERIES	LINE	BODY	ENGINE	TRANSMISSION
H=Sport	J = Wrangler 4WD	77=93.4 WB	EPE, EP0 = 2.5L Power Tech	DGG, DGD = 32RH 3 Spd. Auto.
L=SE	U = Wrangler 4WD (RHD)		ERH, ER0 = 4.0L Power Tech	DDQ = 5 Spd. Manual
P=Sahara				DDD = 5 Speed HD Manual
				DG0 = Auto Trans.
				DBB = Manual Trans.
				DDO = All 5 Speed Manual

AR = Use as required - = Non illustrated part # = New this model year

February 6, 2002

Antenna
Figure 08A-320

ITEM	PART NUMBER	QTY	LINE	BODY	DESCRIPTION
1	5600 8788	1			ANTENNA, Base Cable And Bracket
2	5600 9081	1			MAST, Antenna
3	5603 8504	1			COVER, Antenna Opening
4	5600 8929	1	J		PLUG, Antenna Hole
5					GROMMET, Antenna, (NOT SERVICED)
6	5600 8786	1			CABLE, Antenna
7					SCREW, .164-18x.75, (NOT SERVICED)



JEEP WRANGLER (TJ)

SERIES
H=Sport
L=SE
P=Sahara

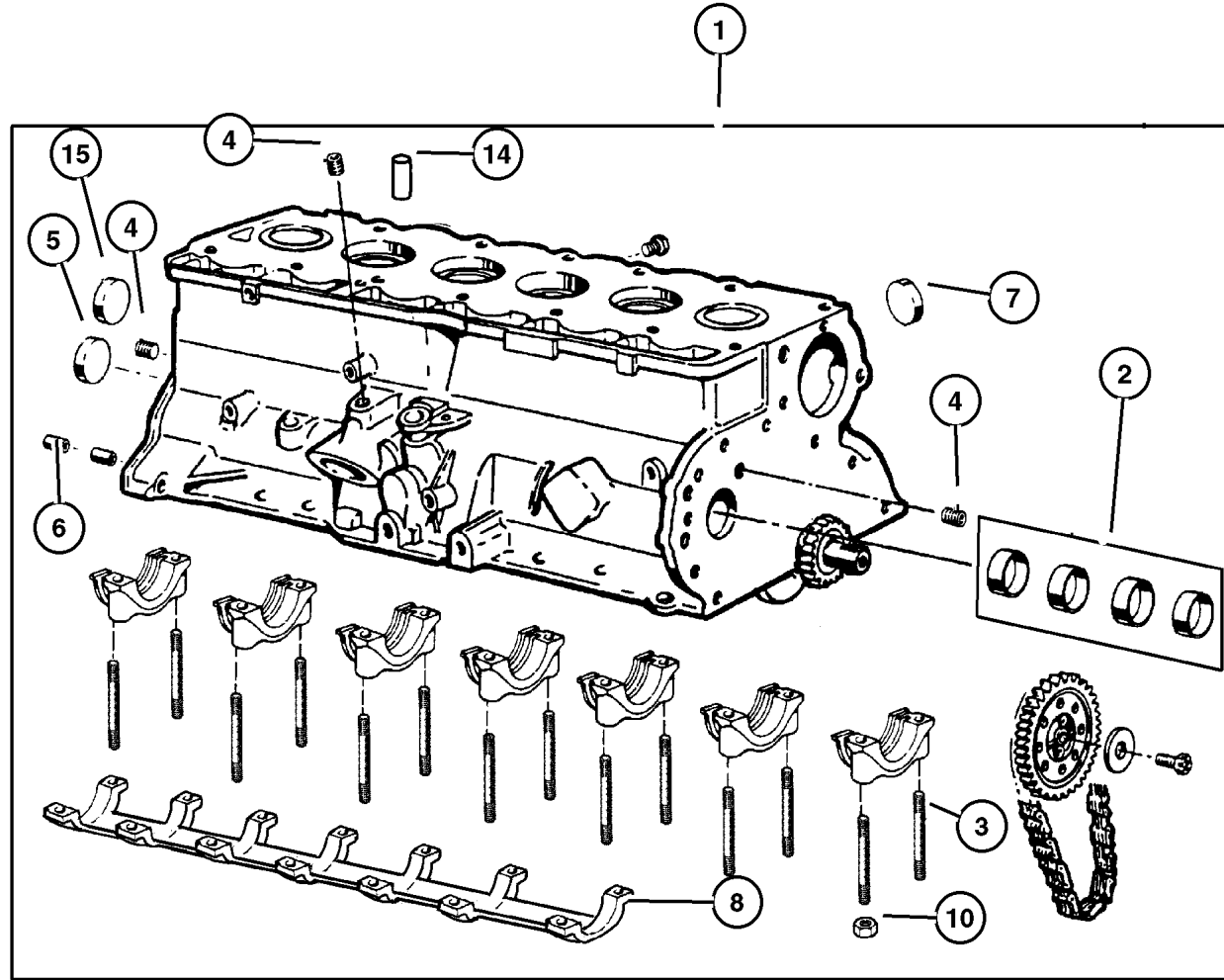
LINE
J = Wrangler 4WD
U = Wrangler 4WD (RHD)

BODY
77=93.4 WB

ENGINE
EPE, EP0 = 2.5L Power Tech
ERH, ER0 = 4.0L Power Tech

TRANSMISSION
DGG, DGD = 32RH 3 Spd. Auto.
DDQ = 5 Spd. Manual
DDD = 5 Speed HD Manual
DGO = Auto Trans.
DBB = Manual Trans.
DDO = All 5 Speed Manual

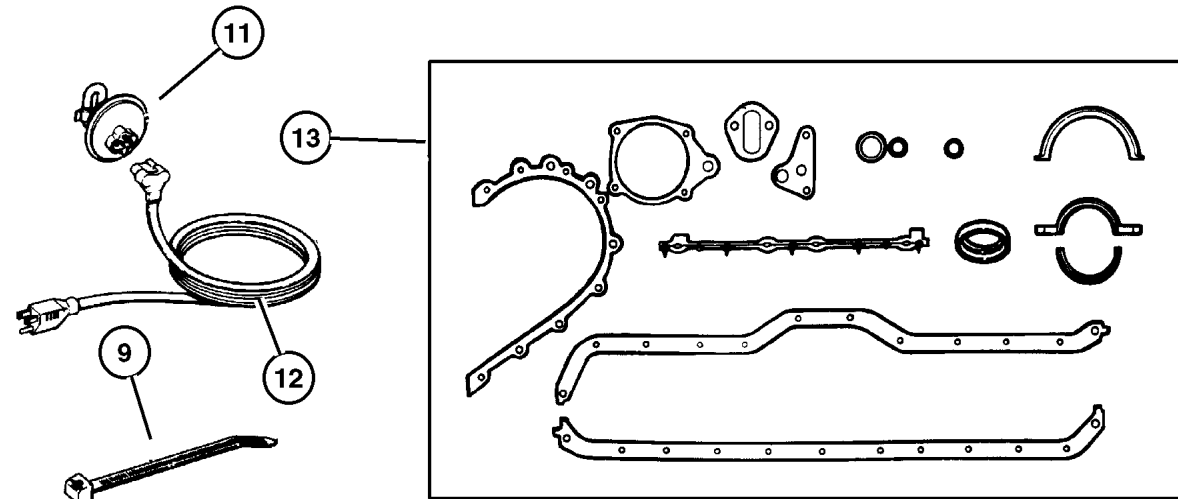
**Cylinder Block 4.0L (ERH) Engine
Figure 4.0L-310**



NOTE: ER0=All 4.0L Engines manual, 12 Disc Magazine.

EPO= All 2.5L Gas Engines manual, 12 Disc Magazine.

ITEM	PART NUMBER	QTY	LINE	ENGINE	TRANS	DESCRIPTION
1	#5013 161AC	1		ER0		BLOCK, Short
2	4636 985AB	1		ER0		BEARING PACKAGE, Camshaft, Standard Size
3	6035 207	14		ER0		STUD, .500-13/.375-16x3.97
4	6034 166	3		ER0		PLUG, Cylinder Block Oil Hole
5	J317 2313	1		EP0		PLUG, Camshaft
6	J400 5148	2		ER0		DOWEL, Transmission
7	J310 5394	6		ER0		PLUG, Cylinder Block Oil Hole
8	5302 0566	1		ER0		BRACE, Main Bearing Cap
9	4641 780	1				STRAP, Tie
10	0152 474	14		ER0		NUT, Hex Flange Lock, .375-16
11	8220 1506	1		ER0		HEATER PACKAGE, Engine Block
12	5601 6834	1		EP0, ER0		CORD, Engine Block Heater
13	4740 008AC	1		ER0		GASKET PACKAGE, Engine Lower
14	0141 215	2		ER0		DOWEL, .312 x .500
15	5302 0465	1		ER0		PLUG, Cylinder Block



JEEP WRANGLER (TJ)

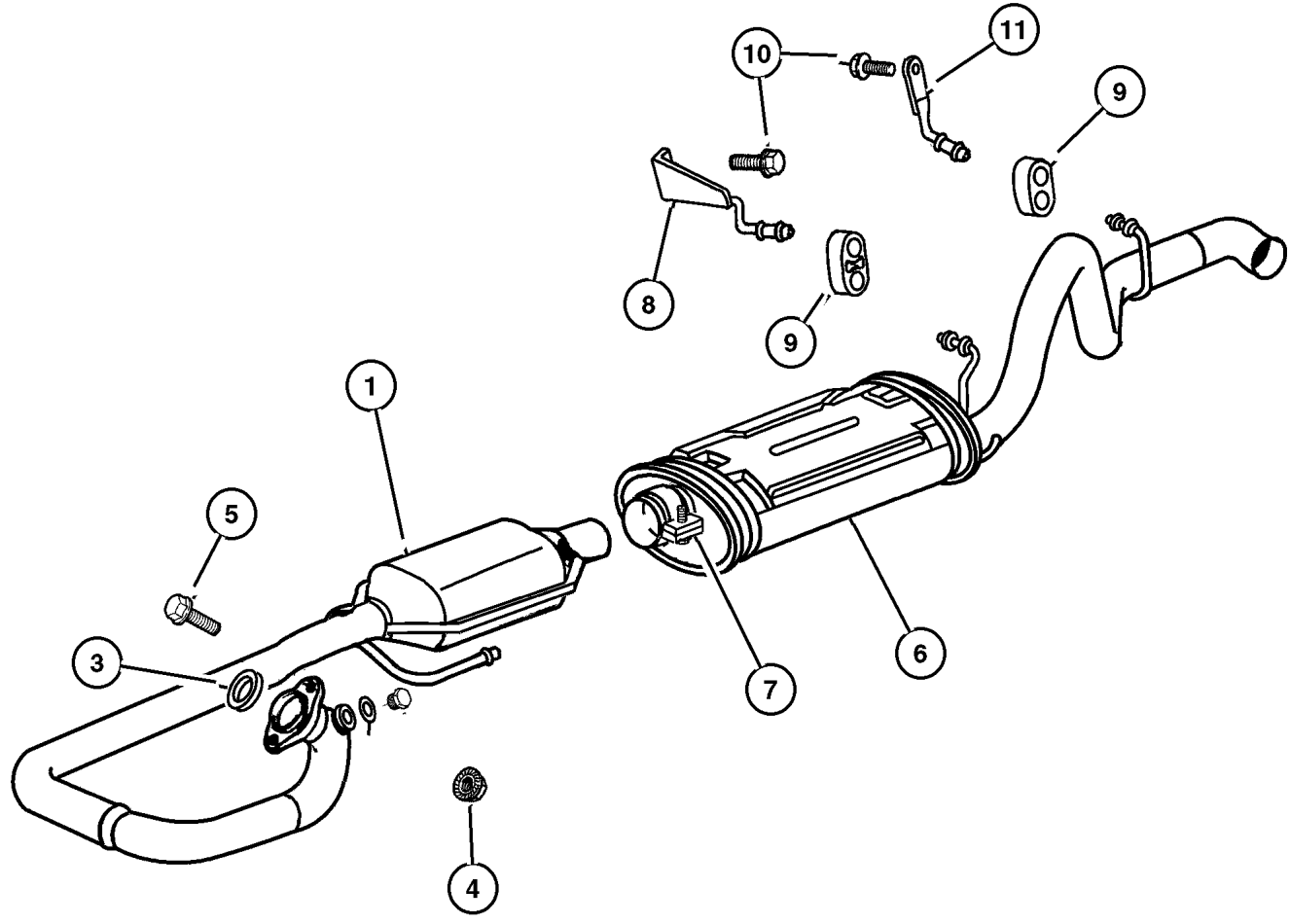
SERIES	LINE	BODY	ENGINE	TRANSMISSION
H=Sport	J = Wrangler 4WD	77=93.4 WB	EPE, EP0 = 2.5L Power Tech	DGG, DGD = 32RH 3 Spd. Auto.
L=SE	U = Wrangler 4WD (RHD)		ERH, ER0 = 4.0L Power Tech	DDQ = 5 Spd. Manual
P=Sahara				DDD = 5 Speed HD Manual
				DG0 = Auto Trans.
				DBB = Manual Trans.
				DDO = All 5 Speed Manual

AR = Use as required - = Non illustrated part # = New this model year

February 6, 2002

**Exhaust System 2.5L (EPE), 4.0L (ERH) Engine
Figure 011-110**

ITEM	PART NUMBER	QTY	LINE	SERIES	BODY	ENGINE	TRANS	DESCRIPTION
-12	4616 707	1						GASKET, Exhaust, 3 Bolt Flange Gskt. After 1/24/00
-13	6100 517	3				EP0	DBB	NUT, Hex Flange Lock, M8 Phosphate 3 Bolt Flange Nuts Front After 1/24/00
		3				ER0	DBB, DGO	3 Bolt Flange Nuts Front After 1/24/00
-14	6502 696	2						NUT, Hex Flange Lock, M10x1.5, 2 Bolt Flange Nuts Rear After 1/24/00



JEEP WRANGLER (TJ)				
SERIES	LINE	BODY	ENGINE	TRANSMISSION
H=Sport	J = Wrangler 4WD	77=93.4 WB	EPE, EP0 = 2.5L Power Tech	DGG, DGD = 32RH 3 Spd. Auto.
L=SE	U = Wrangler 4WD (RHD)		ERH, ER0 = 4.0L Power Tech	DDQ = 5 Spd. Manual
P=Sahara				DDD = 5 Speed HD Manual
				DGO = Auto Trans.
				DBB = Manual Trans.
				DDO = All 5 Speed Manual

AR = Use as required - = Non illustrated part # = New this model year

February 6, 2002

CLICK HERE TO **DOWNLOAD** THE COMPLETE MANUAL

- Thank you very much for reading the preview of the manual.
- You can download the complete manual from: www.heydownloads.com by clicking the link below



- Please note: If there is no response to CLICKING the link, please download this PDF first and then click on it.

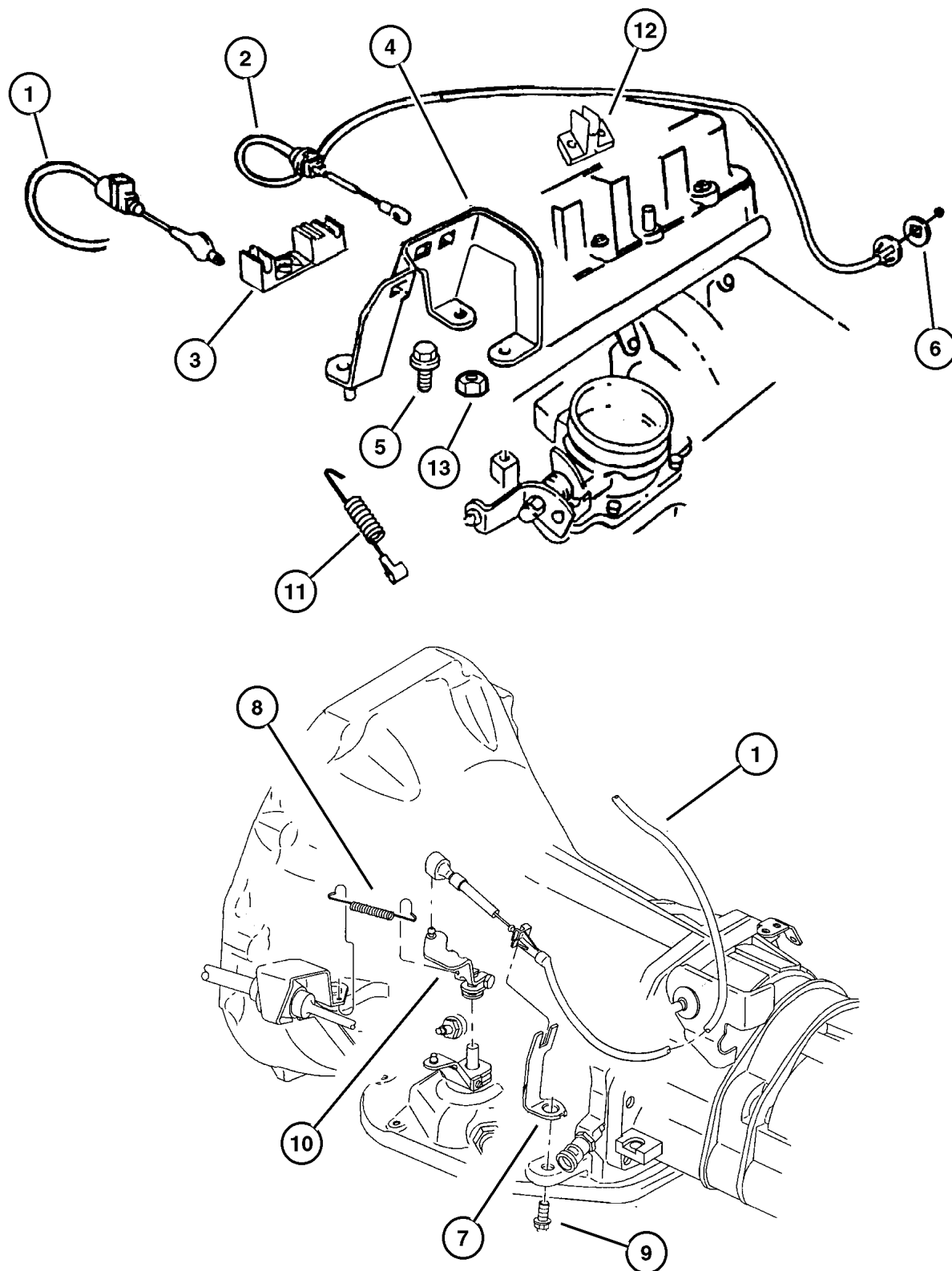
CLICK HERE TO **DOWNLOAD** THE COMPLETE MANUAL

GROUP 14 - Fuel

Illustration Title	Group-Fig. No.
Tank, Fuel	
Fuel Tank 2.5L (EPE), 4.0L (ERH) Engine	Fig. 014-110
Fuel Tank Filler Tube	
Fuel Filler Tube 2.5L (EPE), 4.0L (ERH) Engine	Fig. 014-210
Fuel Lines	
Fuel Lines, Front 2.5L (EPE) Engine	Fig. 014-310
Fuel Lines, Rear 2.5L (EPE) Engine	Fig. 014-320
Fuel Lines, Front 4.0L Engine	Fig. 014-335
Fuel Lines, Rear 4.0L (ERH) Engine	Fig. 014-340
Fuel Rail	
Fuel Injection System 2.5L (EPE), 4.0L (ERH) Engine	Fig. 014-410
Fuel Pump and Sending Unit	
Fuel Module 2.5L (EPE), 4.0L (ERH) Engine	Fig. 014-510
Throttle Body	
Throttle Body 2.5L (EPE), 4.0L (ERH) Engine	Fig. 014-610
Throttle Controls	
Throttle Controls 2.5L (EPE), 4.0L (ERH) Engine	Fig. 014-710
Air Cleaner	
Air Cleaner 2.5L (EPE), 4.0L (ERH) Engine	Fig. 014-810
Speed Control	
Speed Control	Fig. 014-1010
Accelerator Pedal	
Accelerator Pedal 2.5L (EPE), 4.0L (ERH) Engine	Fig. 014-1110



Throttle Controls 2.5L (EPE), 4.0L (ERH) Engine Figure 014-710



ITEM	PART NUMBER	QTY	LINE	SERIES	BODY	ENGINE	TRANS	DESCRIPTION
Note; Sales Codes manual, 12 Disc Magazine.								
[DBB]= All Manual Transmissions manual, 12 Disc Magazine.								
[DG0]= All Automatic Transmissions manual, 12 Disc Magazine.								
[EP0]= All 2.5L, 4 Cylinder Gas Engines manual, 12 Disc Magazine.								
[ER0]= All 4.0L, 6 Cylinder Gas Engines manual, 12 Disc Magazine.								
1	52104 352AA	1				EP0, ER0	DG0	CABLE, Throttle Valve
2	4854 137	1				EP0, ER0		CABLE, Accelerator
3								GUIDE, Accelerator Cable
4	5207 9029	1				ER0		BRACKET, Accelerator Cable
	5300 7620	1				EP0		
5	5300 7485	1				EP0		SCREW AND WASHER, Hex Head, M6x1x17
	53013 160AA	1				ER0		
6	6501 979	3				ER0		PLUG, Access Hole, (NOT REQUIRED) BRACKET, Cable
		2				EP0		
7	5207 8867	1				EP0, ER0	DG0	BRACKET, Cable
8	5300 9055	1				EP0, ER0	DG0	SPRING, Throttle Valve Return
9	0181 112	1				EP0, ER0	DG0	SCREW AND WASHER, .375-16x1.00
10	52078 723AB	1				EP0, ER0	DG0	LEVER, Throttle Valve
11	52078 102AB	1				EP0, ER0	DBB	SPRING, Throttle Return
12	5207 8987	1	J			ER0		GUIDE, Accelerator Cable
13	6100 047	1				EP0		NUT AND WASHER, Hex Nut-Coned Washer, M6 x 1.00

JEEP WRANGLER (TJ)

SERIES
H=Sport
L=SE
P=Sahara

LINE
J = Wrangler 4WD
U = Wrangler 4WD (RHD)

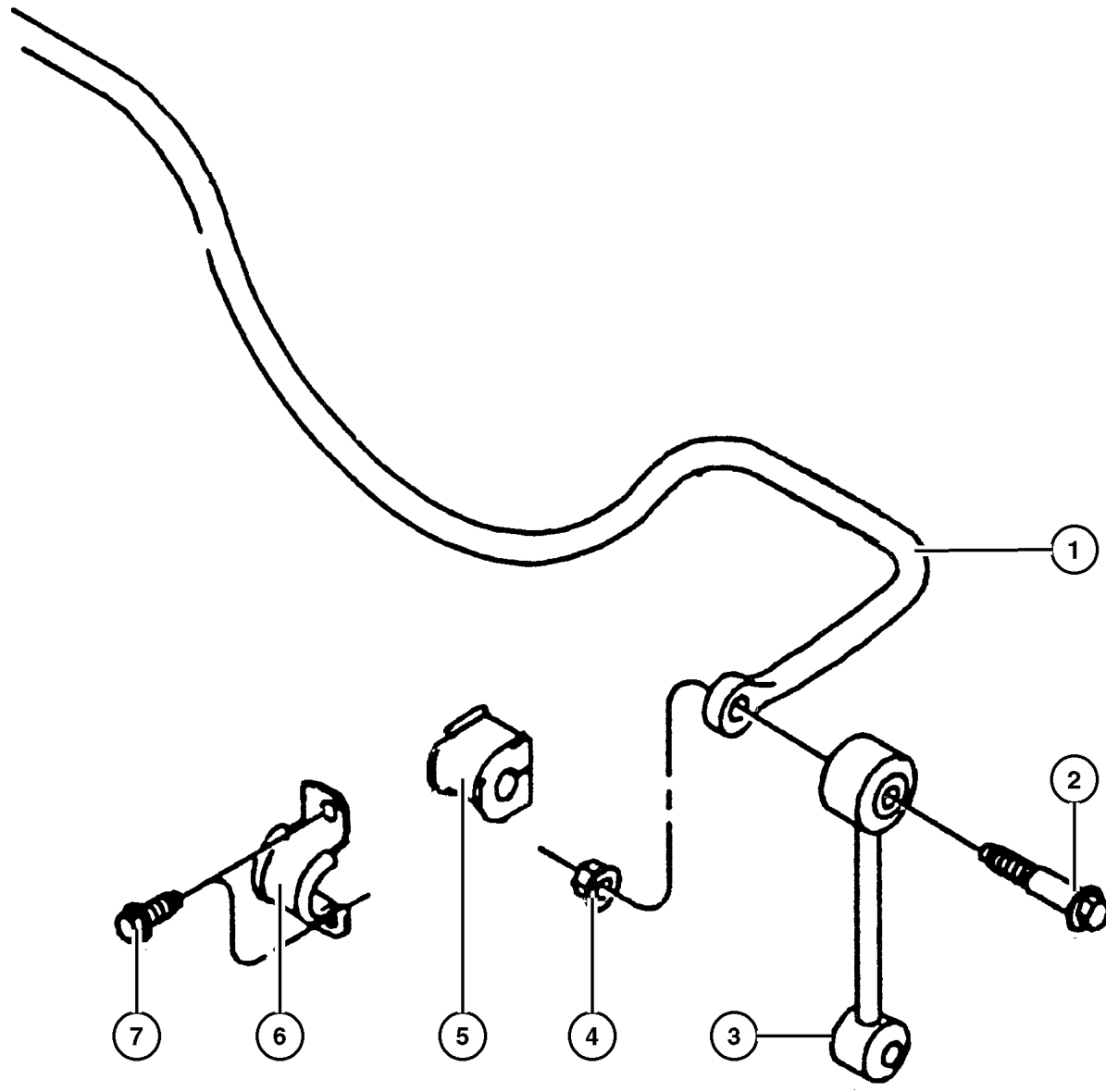
BODY
77=93.4 WB

ENGINE
EPE, EP0 = 2.5L Power Tech
ERH, ER0 = 4.0L Power Tech

TRANSMISSION
DGG, DGD = 32RH 3 Spd. Auto.
DDQ = 5 Spd. Manual
DDD = 5 Speed HD Manual
DG0 = Auto Trans.
DBB = Manual Trans.
DD0 = All 5 Speed Manual

Stabilizer, Rear Figure 017-210

ITEM	PART NUMBER	QTY	LINE	SERIES	BODY	ENGINE	TRANS	DESCRIPTION
1	5208 8002	1						BAR, Rear Sway
2	6503 726	2						SCREW, Shoulder
3	52088 896AA	2						LINK, Sway Eliminator
4	6502 696	2						NUT, Hex Flange Lock, M10x1.5
5	5208 8125	2						BUSHING, Sway Bar
6	5208 7865	2						RETAINER, Sway Bar
7	6503 571	4						SCREW AND WASHER, M10x1.50x35



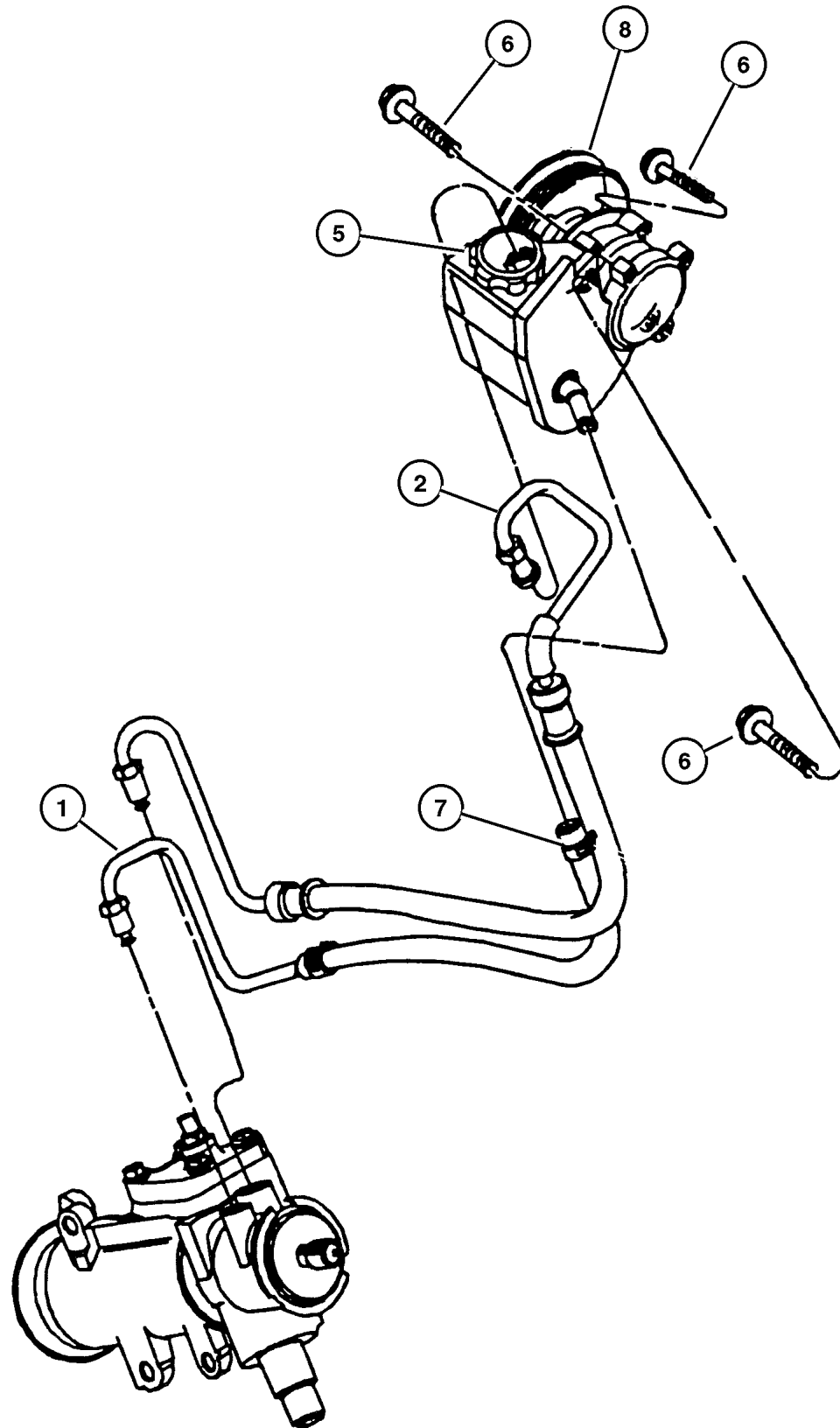
JEEP WRANGLER (TJ)

SERIES	LINE	BODY	ENGINE	TRANSMISSION
H=Sport	J = Wrangler 4WD	77=93.4 WB	EPE, EP0 = 2.5L Power Tech	DGG, DGD = 32RH 3 Spd. Auto.
L=SE	U = Wrangler 4WD (RHD)		ERH, ER0 = 4.0L Power Tech	DDQ = 5 Spd. Manual
P=Sahara				DDD = 5 Speed HD Manual
				DG0 = Auto Trans.
				DBB = Manual Trans.
				DD0 = All 5 Speed Manual

AR = Use as required - = Non illustrated part # = New this model year

February 6, 2002

Hoses and Reservoir, 4.0L Engine Figure 019-720



ITEM	PART NUMBER	QTY	LINE	SERIES	ENGINE	TRANS	DESCRIPTION
------	-------------	-----	------	--------	--------	-------	-------------

Note: EP0 = ALL 2.5L 4 Cylinder Gas Engines---ER0=4.0L 6 Cylinder Gas Engines---J=Four Wheel Drive-Left Hand Drive---U=Four Wheel Drive-Right Hand Drive

1	#52038 423AB	1	J		ER0		HOSE, Power Steering Return 4WD
	52038 424AB	1	U		ER0		4WD RHD
2	52087 902AB	1	J		ER0		HOSE, Power Steering Pressure 4WD
	52087 903AB	1	U		ER0		4WD RHD
-3	3420 1888	1	U				SCREW, Hex Head
-4	6035 358	1	U				CLIP, Oil Cooler Tube, Power Strg Line 4WD RHD
5	4694 766	1			EP0		CAP, Power Steering Pump
6	6502 425	3			ER0		SCREW AND WASHER, Hex Head, M8x1.25x95
7	2448 770	2			EP0		CLAMP, Hose
8	53010 258AB	1			EP0		PULLEY, Power Steering Pump
-9	5200 2044	1	U				CLIP, Tube, Power Strg Line to Frame 4WD RHD

JEEP WRANGLER (TJ)

SERIES	LINE	BODY	ENGINE	TRANSMISSION
H=Sport	J = Wrangler 4WD	77=93.4 WB	EPE, EP0 = 2.5L Power Tech	DGG, DGD = 32RH 3 Spd. Auto.
L=SE	U = Wrangler 4WD (RHD)		ERH, ER0 = 4.0L Power Tech	DDQ = 5 Spd. Manual
P=Sahara				DDD = 5 Speed HD Manual
				DG0 = Auto Trans.
				DBB = Manual Trans.
				DD0 = All 5 Speed Manual

AR = Use as required - = Non illustrated part # = New this model year

February 6, 2002

**Governor 30RH (DGD)
Figure 30RH-610**

ITEM	PART NUMBER	QTY	LINE	SERIES	ENGINE	TRANS	DESCRIPTION
------	-------------	-----	------	--------	--------	-------	-------------

Note: ve

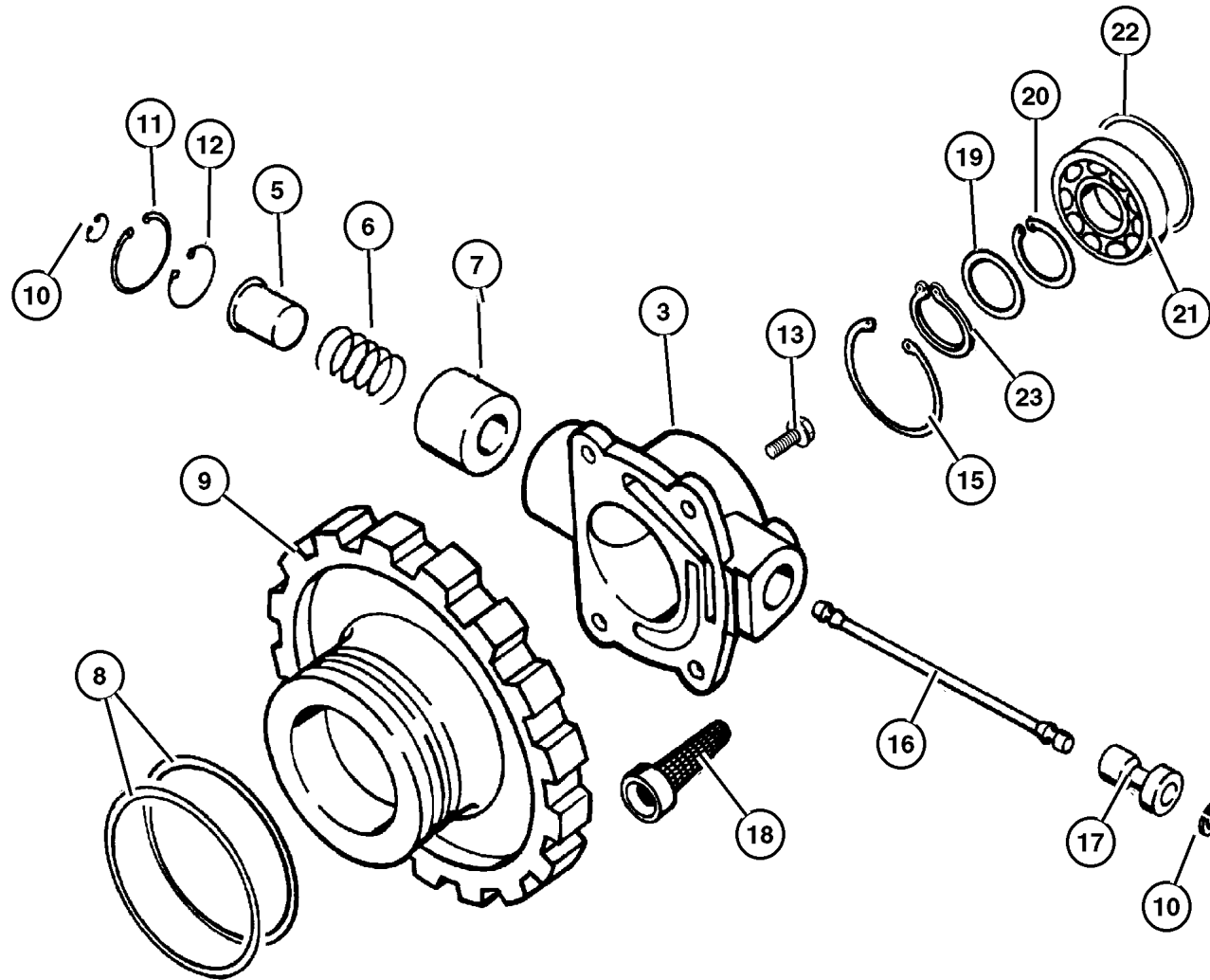
DGD = 3 Speed Automatic Transmission 30RH ve

DG0 = All Automatic Transmissions ve

EPE = 2.5L SMPI Magnum 4 Cyl Engine ve

EP0 = All 2.5L 4 Cyl Gas Engines ve

-1	4883 956AB	1				DGD	GASKET AND SEAL PACKAGE, Governor
-2	4728 460	1				DGD	BODY PACKAGE, Governor
3							BODY, Governor, (NOT SERVICED)
-4	5211 7938	1				DGD	WEIGHT KIT, Transmission Governor
5							INNER, Inner, (NOT SERVICED)
6							SPRING, Governor Valve, (NOT SERVICED)
7							WEIGHT, Governor, (NOT SERVICED)
8	1942 109	1				DGD	SEAL, Governor
9	3743 518	1				DGD	SUPPORT, Governor
10	1638 461	2				DGD	SNAP RING
11	6031 392	1				DGD	SNAP RING, Brake Master Cylinder
12	6034 723	1				DGD	SNAP RING, Governor, .675 x .025
13	6031 613	2				DGD	BOLT, Hex Head, .25-20x.68
-14	6034 788	2				DGD	BOLT, Hex Head, .25-20x1.33
15	6027 271	1				DGD	SNAP RING, Governor, 1.156
16	1556 082	1				DGD	SHAFT, Governor
17	4617 064	1				DGD	VALVE, Governor
18	3743 519	1				DGD	FILTER, Transmission Governor
19	4617 799	1				DGD	SPACER, Output Shaft
20	6025 668	1				DGD	SNAP RING, 1.150" Free Diameter
21	4130 537	1				DGD	BEARING, Output Shaft
22	6032 739	1				DGD	O RING, Output Shaft Bearing, Transmission
23	6025 668	1				DGD	SNAP RING, 1.150" Free Diameter



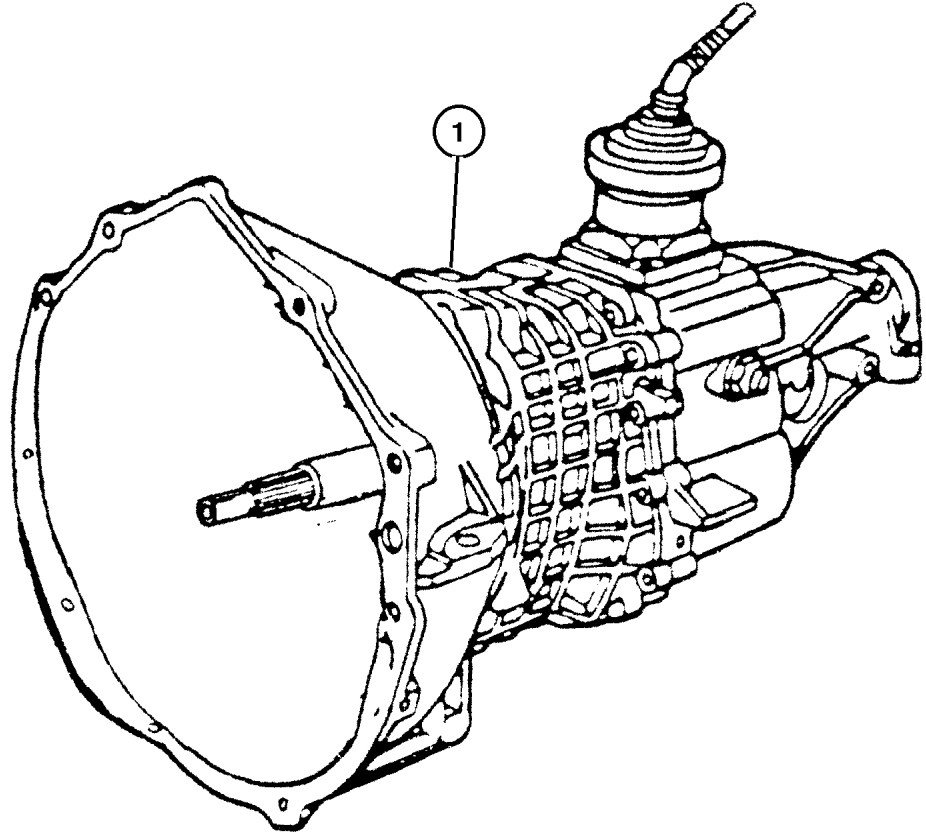
JEEP WRANGLER (TJ)

SERIES	LINE	BODY	ENGINE	TRANSMISSION
H=Sport	J = Wrangler 4WD	77=93.4 WB	EPE, EP0 = 2.5L Power Tech	DGG, DGD = 32RH 3 Spd. Auto.
L=SE	U = Wrangler 4WD (RHD)		ERH, ER0 = 4.0L Power Tech	DDQ = 5 Spd. Manual
P=Sahara				DDD = 5 Speed HD Manual
				DG0 = Auto Trans.
				DBB = Manual Trans.
				DD0 = All 5 Speed Manual

AR = Use as required - = Non illustrated part # = New this model year

February 6, 2002

Transmission (DDD)
Figure 3550-110



ITEM	PART NUMBER	QTY	LINE	SERIES	ENGINE	TRANS	DESCRIPTION
------	-------------	-----	------	--------	--------	-------	-------------

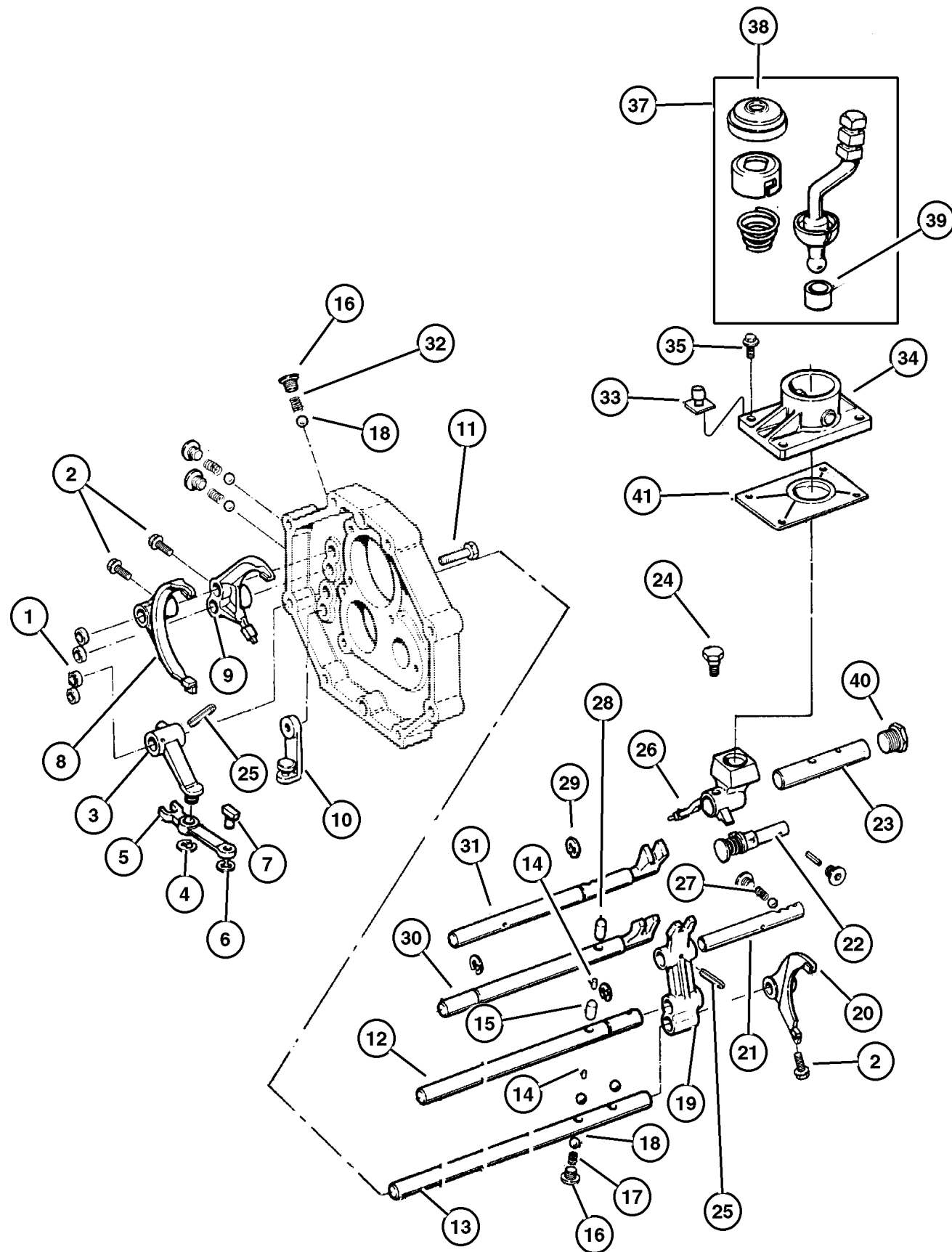
ERH= 4.0L Power Tech I-6 ve

1	#52104 388AA	1			ER0	DDD	TRANSMISSION, 5 Speed
---	--------------	---	--	--	-----	-----	-----------------------

JEEP WRANGLER (TJ)		BODY	ENGINE	TRANSMISSION
SERIES	LINE	77=93.4 WB	EPE, EP0 = 2.5L Power Tech	DGG, DGD = 32RH 3 Spd. Auto.
H=Sport	J = Wrangler 4WD		ERH, ER0 = 4.0L Power Tech	DDQ = 5 Spd. Manual
L=SE	U = Wrangler 4WD (RHD)			DDD = 5 Speed HD Manual
P=Sahara				DG0 = Auto Trans.
				DBB = Manual Trans.
				DD0 = All 5 Speed Manual

AR = Use as required - = Non illustrated part # = New this model year

Forks AX5 (DDQ)
Figure AISIN-910



ITEM	PART NUMBER	QTY	LINE	SERIES	ENGINE	TRANS	DESCRIPTION
------	-------------	-----	------	--------	--------	-------	-------------

Note: ve

DDK = 5 Speed Heavy Duty Manual Transmission ve

DDQ = 5 Speed Manual Transmission ve

EPE = 2.5L SMPI MAGNUM 4 Cyl Engine ve

EP0 = All 2.5L 4 Cyl Gas Engines ve

1	8350 0503	4			EP0	DDQ	PLUG, Shift Rail
2	8350 2664	3			EP0	DDQ	BOLT, Shift Fork
3	8350 0526	1			EP0	DDQ	FORK, Transmission
4	8350 0547	1			EP0	DDQ	SNAP RING
5	4897 099AA	1			EP0	DDQ	ARM, Reverse Shift
6	8350 0547	1			EP0	DDQ	SNAP RING
7	4897 100AA	1			EP0	DDQ	SHOE, Shift Lever
8	4740 236	1			EP0	DDQ	FORK PACKAGE, Shift
9	8350 2662	1			EP0	DDQ	FORK, Transmission
10	8350 0531	1			EP0	DDQ	BRACKET, Reverse Arm
11	8350 0549	2			EP0	DDQ	BOLT, Bearing Retainer
12	4746 659	1			EP0	DDQ	SHAFT, Gear Shift Fork, Number 3
13	4746 660	1			EP0	DDQ	SHAFT, Gear Shift Fork, Number 4
14	8350 0537	2			EP0	DDQ	PIN, Shift Shaft
15	8350 0541	1			EP0	DDQ	PIN, Interlock, 21.6mm
16	8350 0524	1			EP0	DDQ	PLUG, Transmission
17	8350 0638	1			EP0	DDQ	SPRING, Compression Shift
18	8350 0542	7			EP0	DDQ	BALL, Gearshift Fork Lock
19	4746 658	1			EP0	DDQ	HEAD, Shifter Shaft
20	4746 656	1			EP0	DDQ	FORK, Transmission
21	8350 0536	1			EP0	DDQ	SHAFT, Selector
22	8350 0515	1			EP0	DDQ	PIN, Reverse
23	8350 0514	1			EP0	DDQ	SHAFT, Shift Lever
24	8350 6036	1			EP0	DDQ	BOLT
25	8350 0540	1			EP0	DDQ	PIN, Shift Shaft
26	8350 0636	1			EP0	DDQ	HOUSING, Shift Lever
27	8350 0544	1			EP0	DDQ	SPRING, Compression
28	8350 0543	1			EP0	DDQ	PIN, Interlock, 30.3mm
29	8350 6054	3			EP0	DDQ	SNAP RING
30	4874 510	AR			EP0	DDQ	SHAFT, Gear Shift Fork, Number 1
31	8350 6047	AR			EP0	DDQ	SHAFT, Selector
32	8350 0545	3			EP0	DDQ	SPRING, Compression Detent
33	4864 215	1			EP0	DDQ	CAP, Vent
34	4864 211	1			EP0	DDQ	RETAINER, Transmission
35	8350 3107	2			EP0	DDQ	BOLT
-36	8350 0525	2			EP0	DDQ	BOLT AND LOCK WASHER, Hex Head, M8x1.25x30

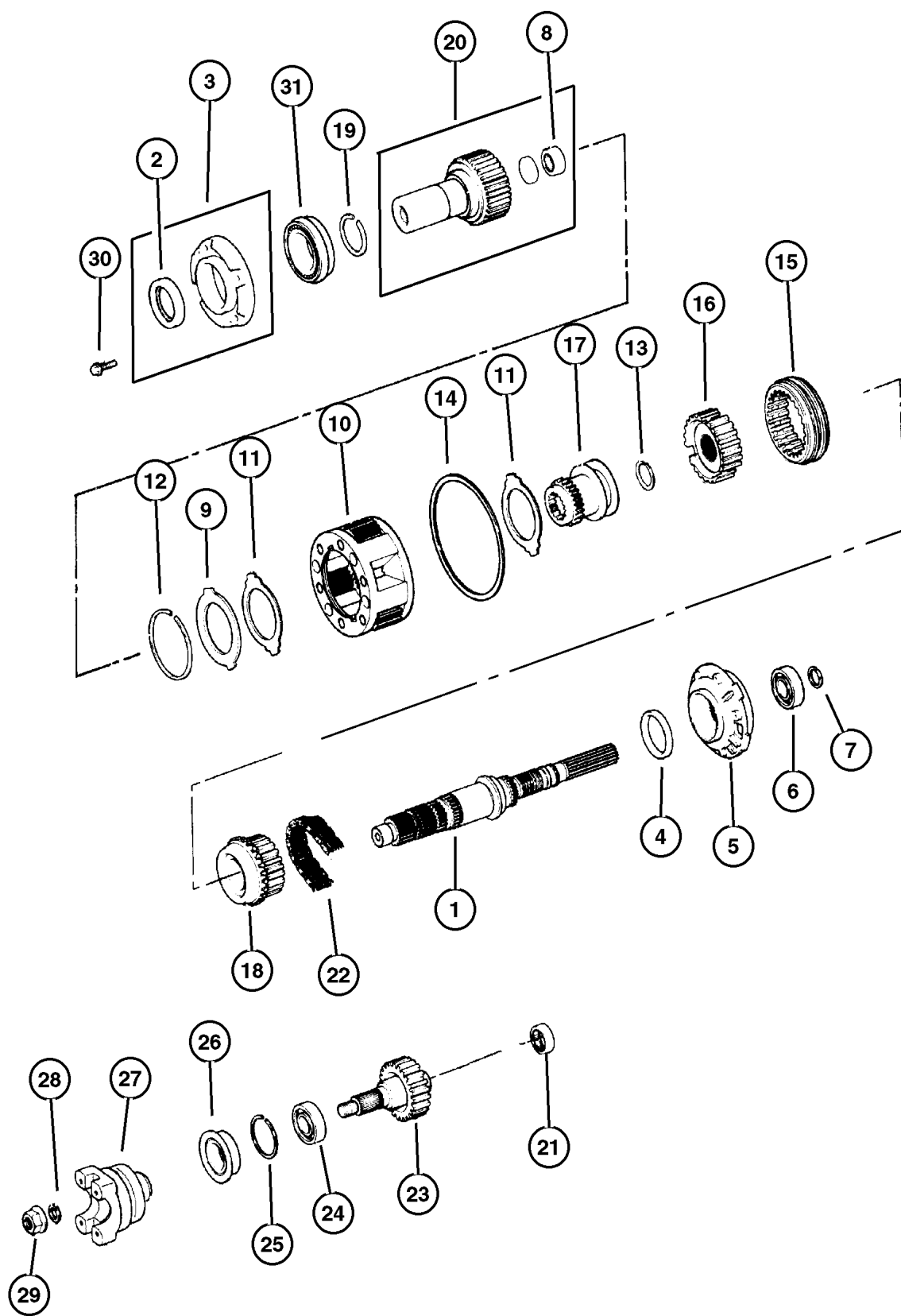
JEEP WRANGLER (TJ)

SERIES	LINE	BODY	ENGINE	TRANSMISSION
H=Sport	J = Wrangler 4WD	77=93.4 WB	EPE, EP0 = 2.5L Power Tech	DGG, DGD = 32RH 3 Spd. Auto.
L=SE	U = Wrangler 4WD (RHD)		ERH, ER0 = 4.0L Power Tech	DDQ = 5 Spd. Manual
P=Sahara				DDD = 5 Speed HD Manual
				DG0 = Auto Trans.
				DBB = Manual Trans.
				DD0 = All 5 Speed Manual

AR = Use as required - = Non illustrated part # = New this model year

February 6, 2002

**Gear Train Command Trac (DHN)
Figure 231-410**



ITEM	PART NUMBER	QTY	LINE	SERIES	ENGINE	TRANS	DESCRIPTION
NOTE: Sales Code ve							
EP0 = 2.5L 4 Cyl. ve							
ER0 = 4.0L 6 Cyl. ve							
DG0= All Automatic Transmission ve							
DDQ= 5 Speed Manual Transmission ve							
DDD= 5 Speed Heavy Duty Manual TransmssionEP0 = 2.5L 4 Cyl. ve							
ER0 = 4.0L 6 Cyl. ve							
DG0= All Automatic Transmission ve							
DDQ= 5 Speed Manual Transmission ve							
DDD= 5 Speed Heavy Duty Manual Transmssion ve							
1							MAINSHAFT, Transfer Case
	#5016 630AA	1			EP0, ER0	DG0	
2							SEAL, Input Gear
	#5017 631AA	1			EP0 ER0	DDQ DDD	
	4167 929	1			EP0, ER0	DG0	
3							RETAINER
	4338 973	1			EP0, ER0	DG0	
		1			EP0	DDQ	
		1			ER0	DDD	
4							SEAL, Main Shaft
	4210 603	1			EP0, ER0	DG0	
		1			EP0	DDQ	
		1			ER0	DDD	
5							PUMP, Transfer Case Oil
	4338 936	1			EP0, ER0	DG0	
6							BEARING
	4338 892	1			EP0, ER0	DG0	
7							SNAP RING
	J813 4488	1			EP0	DDQ	

JEEP WRANGLER (TJ)

SERIES	LINE	BODY	ENGINE	TRANSMISSION
H=Sport	J = Wrangler 4WD	77=93.4 WB	EPE, EP0 = 2.5L Power Tech	DGG, DGD = 32RH 3 Spd. Auto.
L=SE	U = Wrangler 4WD (RHD)		ERH, ER0 = 4.0L Power Tech	DDQ = 5 Spd. Manual
P=Sahara				DDD = 5 Speed HD Manual
				DG0 = Auto Trans.
				DBB = Manual Trans.
				DD0 = All 5 Speed Manual

Group – 022

Wheels, Covers and Jacks

GROUP 22 - Wheels, Covers and Jacks

Illustration Title

Group-Fig. No.

Wheels and Hardware

Wheels Fig. 022-110

Wheel Covers and Center Caps

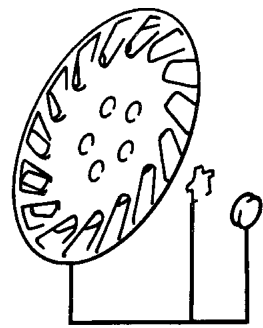
Caps And Covers Fig. 022-210

Jack Stowage

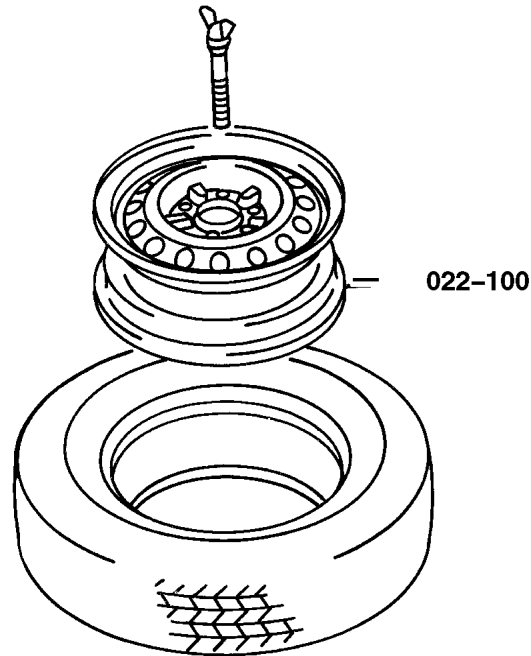
Jack And Storage Fig. 022-310

Spare Tire Stowage

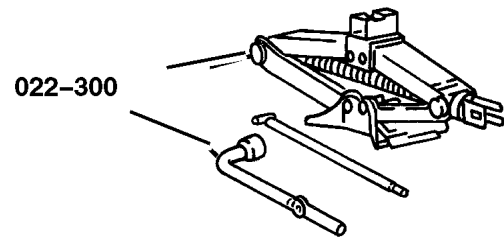
Wheel, Spare Tailgate Mounted Fig. 022-410




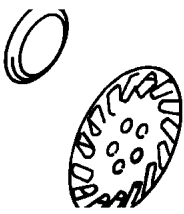
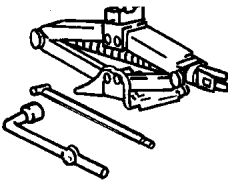
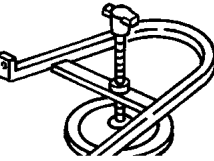
022-200



022-100



022-300

<p>022-100 Wheels and Hardware</p> 	<p>022-200 Wheel Covers and Center Caps</p> 	<p>022-300 Jack Stowage</p> 	<p>022-400 Spare Tire Stowage</p> 
-----------------------------------------------------------------------------------------------------------------------------------	--------------------------------------------------------------------------------------------------------------------------------------------	-----------------------------------------------------------------------------------------------------------------------------	------------------------------------------------------------------------------------------------------------------------------------

Group – 024

Air Conditioning & Heater

GROUP 24 - Air Conditioning & Heater

Illustration Title

Group-Fig. No.

Air Conditioner and Heater Units

Hevac Unit Fig. 024-110

Air Conditioner and Heater Plumbing

Hoses, Heater 2.5L Engine Fig. 024-205

Hoses, Heater 2.5L Engine, RHD Fig. 024-210

Hoses, Heater 4.0L Engine, RHD Fig. 024-220

Plumbing, Hevac 2.5L Engine Fig. 024-225

Plumbing, Hevac 2.5L Engine, RHD Fig. 024-230

Plumbing, Hevac 4.0L Engine Fig. 024-235

Plumbing, Hevac 4.0L Engine, RHD Fig. 024-240

Seals, A/c Condenser Fig. 024-245

Air Conditioner and Heater Controls

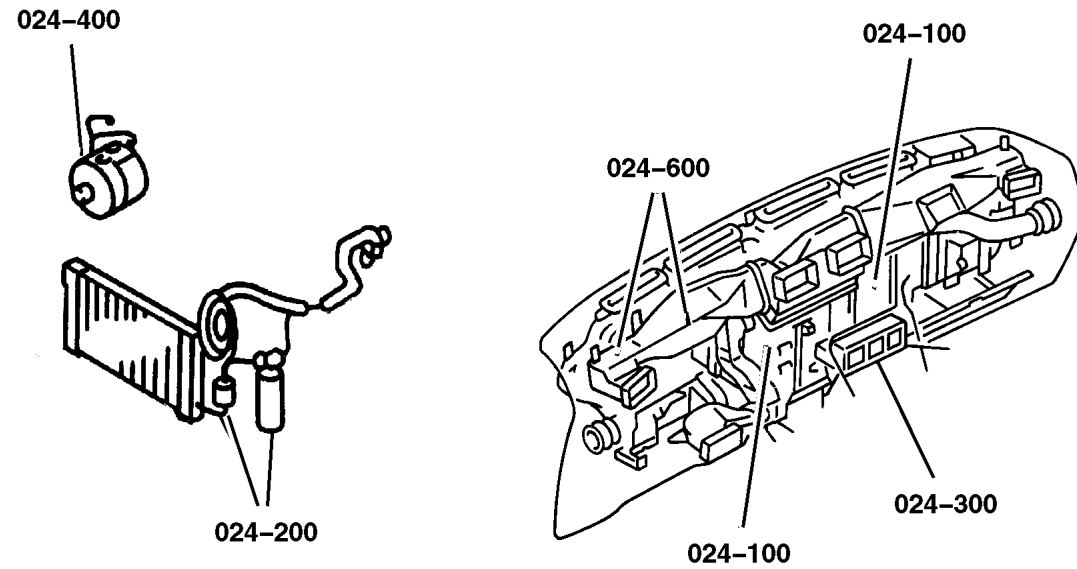
Control, Heater And A/c Fig. 024-310

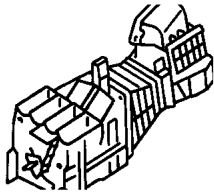
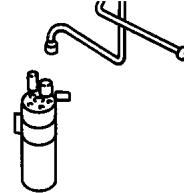
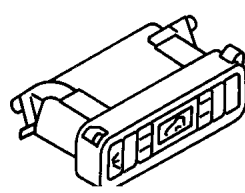
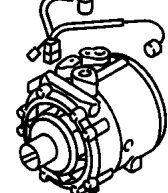
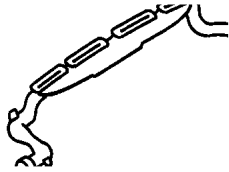
Air Conditioning Compressor

Compressor, A/c Fig. 024-410

Air Ducts and Outlets

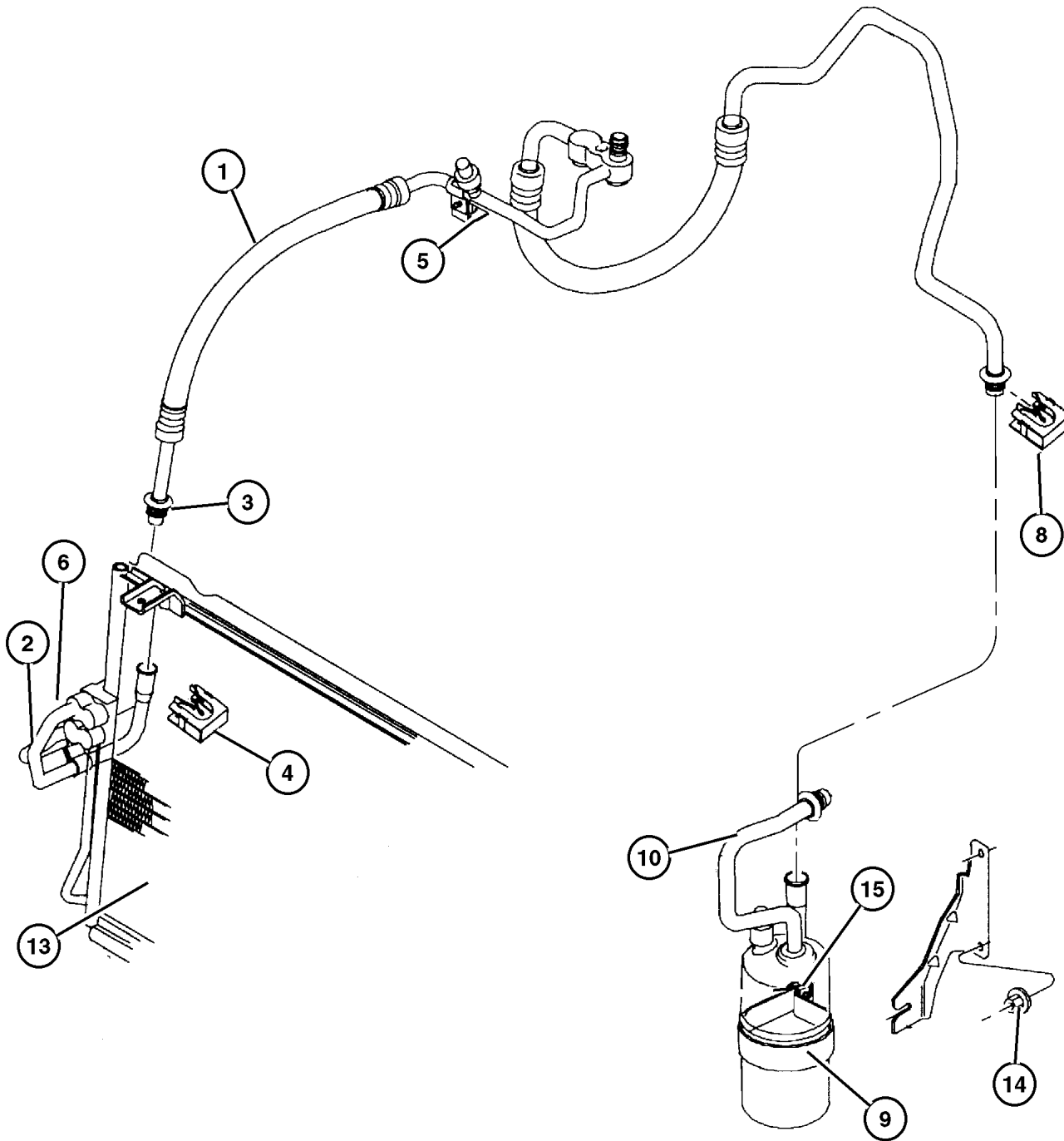
Ducts, Heater And A/c Fig. 024-610



<p>024-100 Air Conditioner and Heater Units</p> 	<p>024-200 Air Conditioner and Heater Plumbing</p> 	<p>024-300 Air Conditioner and Heater Controls</p> 	<p>024-400 Air Conditioning Compressor</p> 
<p>024-600 Air Ducts and Outlets</p> 			

Plumbing, Hevac 4.0L Engine, RHD
Figure 024-240

ITEM	PART NUMBER	QTY	LINE	BODY	ENGINE	DESCRIPTION
Note: Sales Code ER0 = 4.0L Gas Engine ve						
Note: Sales Code EP0 = 2.5L Gas Engine ve						
1	#55037 506AA	1			ER0	LINE, A/C Discharge
2	5503 6292	1	U		EP0, ER0	LINE, A/C Liquid
3	4741 705	2	J		EP0, ER0	O RING, A/C Liquid Line
4	5503 6022	2				CLIP, A/C Liquid Line
5	55036 782AB	2	U		EP0, ER0	RETAINER, A/C Supply Line
6	#55037 510AA	1	U		EP0, ER0	TUBE, A/C Liquid Line
-7	4596 152	2	U			CLIP, A/C Quick Disconnect
8	5503 6304	1	U			BRACKET, Accumulator
9	55036 206AB	1				BAND, Accumulator Retaining, Support
10	55037 442AA	1	U		EP0, ER0	ACCUMULATOR, Suction Line
-11	4723 029	1	U		ER0	VALVE, A/C Discharge Line Check
-12	4596 153	1				CLIP, A/C Quick Disconnect
13	#55037 513AA	1	U		EP0, ER0	CONDENSER, Air Conditioning
14						NUT, (NOT SERVICED)
15						SCREW, (NOT SERVICED)



JEEP WRANGLER (TJ)

SERIES	LINE	BODY	ENGINE	TRANSMISSION
H=Sport	J = Wrangler 4WD	77=93.4 WB	EPE, EP0 = 2.5L Power Tech	DGG, DGD = 32RH 3 Spd. Auto.
L=SE	U = Wrangler 4WD (RHD)		ERH, ER0 = 4.0L Power Tech	DDQ = 5 Spd. Manual
P=Sahara				DDD = 5 Speed HD Manual
				DG0 = Auto Trans.
				DBB = Manual Trans.
				DD0 = All 5 Speed Manual

AR = Use as required - = Non illustrated part # = New this model year

February 6, 2002

Group – DTJ

Doors and Related Parts

GROUP DTJ - Doors and Related Parts

Illustration Title

Group-Fig. No.

Front Door

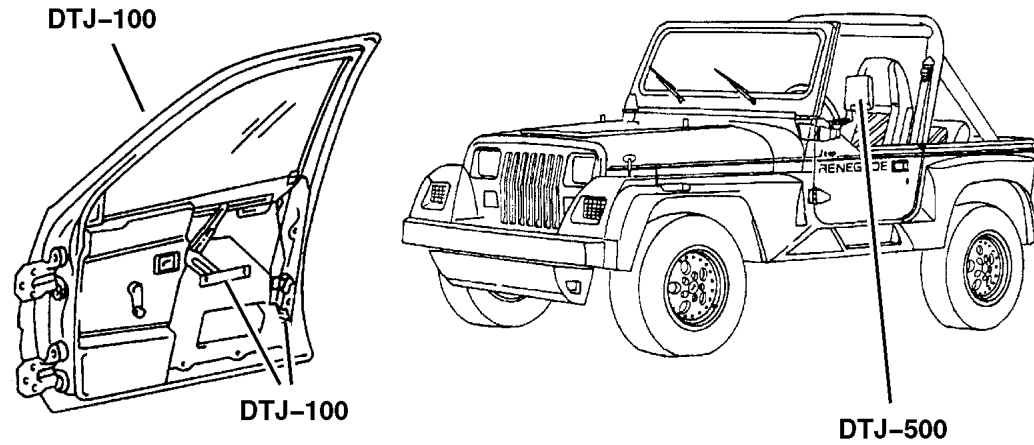
Door, Full Front Shell And Hinges	Fig. DTJ-110
Door, Full Front Glass And Regulator	Fig. DTJ-120
Door, Full Front Lock And Controls	Fig. DTJ-130
Door, Half Front Shell And Hinges	Fig. DTJ-160
Door, Half Front Lock And Controls	Fig. DTJ-170

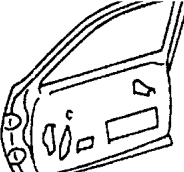
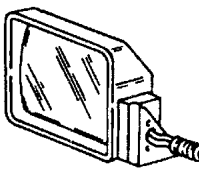
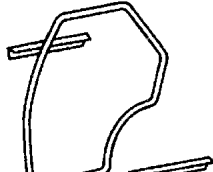
Exterior Mirror

Mirror, Exterior	Fig. DTJ-510
------------------------	--------------

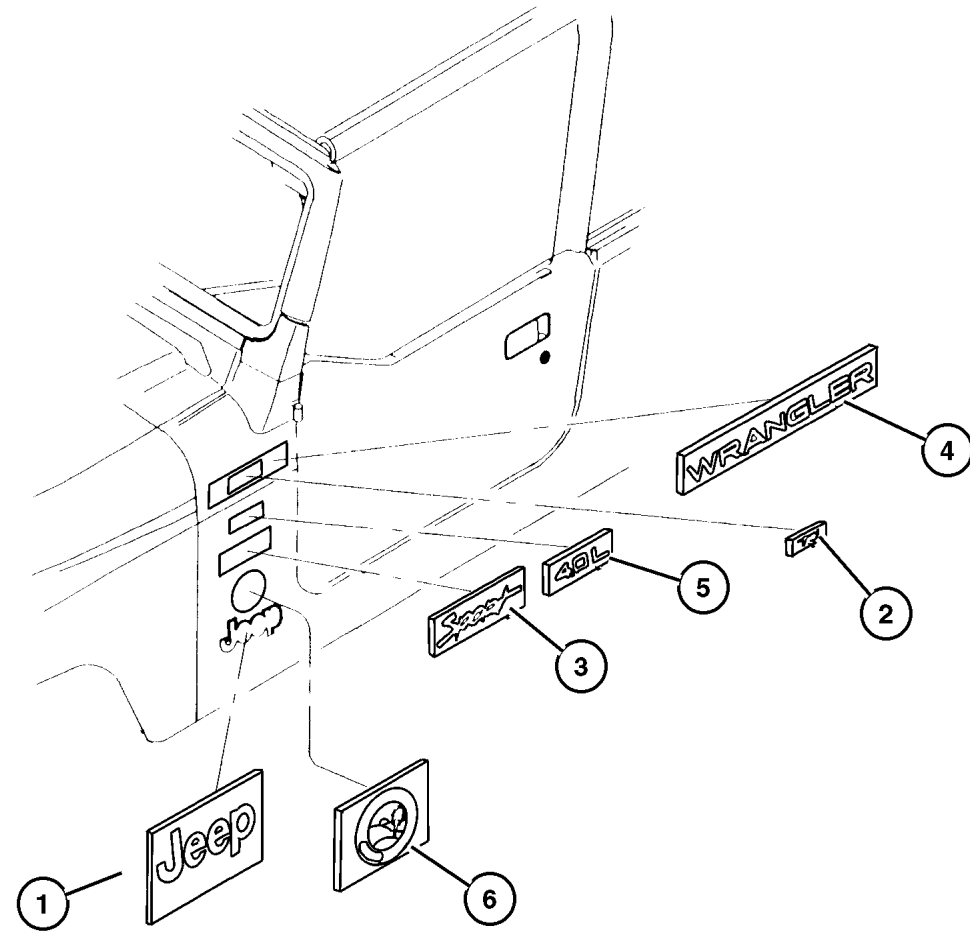
Weatherstrips and Seals

Door Weatherstrips And Runs	Fig. DTJ-610
-----------------------------------	--------------



<p>DTJ-100 Front Door</p> 	<p>DTJ-500 Exterior Mirror</p> 	<p>DTJ-600 Weatherstrips and Seals</p> 	
--------------------------------------------------------------------------------------------------------------------------	-------------------------------------------------------------------------------------------------------------------------------	----------------------------------------------------------------------------------------------------------------------------------------	--

Decals
Figure ETJ-310



ITEM	PART NUMBER	QTY	LINE	SERIES	BODY	DESCRIPTION
1						DECAL, Bodyside, JEEP
	5FC8 4TA2	2				[KWP]
	5FC8 4TA9	2				[KWR]
2						DECAL
	5FE5 6TA2	2	J			[KVP]
	5FE5 6TA9	2	J			[KVR]
3						DECAL, Bodyside, SPORT
	5FC8 1HA2	2				[KFP]
	5FC8 1HA9	2				[KFR]
4						DECAL, Bodyside, Wrangler
	5FC8 3TA2	2				[KXP]
	5FC8 3TA9	2				[KXR]
5						DECAL, 4.0L High Output
	5FC8 5TA2	2				[KYP]
	5FC8 5TA9	2				[KYR]
6	5FE5 2WGK	2				DECAL, Sahara, [KBT]
-7	5515 5566	2				PROTECTOR, Door Opening, Lower Door

JEEP WRANGLER (TJ)

SERIES	LINE	BODY	ENGINE	TRANSMISSION
H=Sport	J = Wrangler 4WD	77=93.4 WB	EPE, EP0 = 2.5L Power Tech	DGG, DGD = 32RH 3 Spd. Auto.
L=SE	U = Wrangler 4WD (RHD)		ERH, ER0 = 4.0L Power Tech	DDQ = 5 Spd. Manual
P=Sahara				DDD = 5 Speed HD Manual
				DG0 = Auto Trans.
				DBB = Manual Trans.
				DD0 = All 5 Speed Manual

AR = Use as required - = Non illustrated part # = New this model year

February 6, 2002

Seat Belts Figure ITJ-710

ITEM	PART NUMBER	QTY	LINE	SERIES	BODY	TRIM	DESCRIPTION
1	SEAT BELT, Front Outer						
	5EV70 LAZAE	1					Right
	5EV71 LAZAE	1					Left
	5EV72 LAZAD	1					Right,Export
	5EV73 LAZAD	1					Left,Export
2	55217 173AB	2					ADJUSTER, Seat Belt Turning Loop
3	5EZ7 0TAZ	2					COVER, Turning Loop
4	6036 187AA	2					SCREW, Pan Head
							SEAT BELT, Buckle Half
5	5FU0 6LAZ	1				D6	Right
						J6	Right
						K5	Right
						M5	Right
5FU0 7LAZ	1	1				D6	Left
						J6	Left
						K5	Left
						M5	Left
5FU0 8LAZ	1	1	J			J6	Left,Export
			J			K5	Left,Export
			J			M5	Left,Export
			U			J6	Left,Export
			U			K5	Left,Export
5FV3 4LAZ	1	1	U			M5	Left,Export
			U			J6	Right,Export
			U			K5	Right,Export
			U			M5	Right,Export
6	4874 129	1				D6	BOLT, Seat Belt
						J6	
						K5	
						M5	
7	4798 898	1					WASHER, Seat Belt Attaching
						J6	
						K5	
						M5	
8	5EV66 LAZAB	2					SEAT BELT, Rear Outer
							Export
	5EV62 LAZAC	2					
9	5FX94 LAZAA	1					SEAT BELT, Buckle Half
-10	4740 415	1					EXTENDER, Seat Belt
-11							SCREW, Button Head, .375-24x.62, Front Traveling Inboard Buckle Mounting

JEEP WRANGLER (TJ)

SERIES
H=Sport
L=SE
P=Sahara

LINE
J = Wrangler 4WD
U = Wrangler 4WD (RHD)

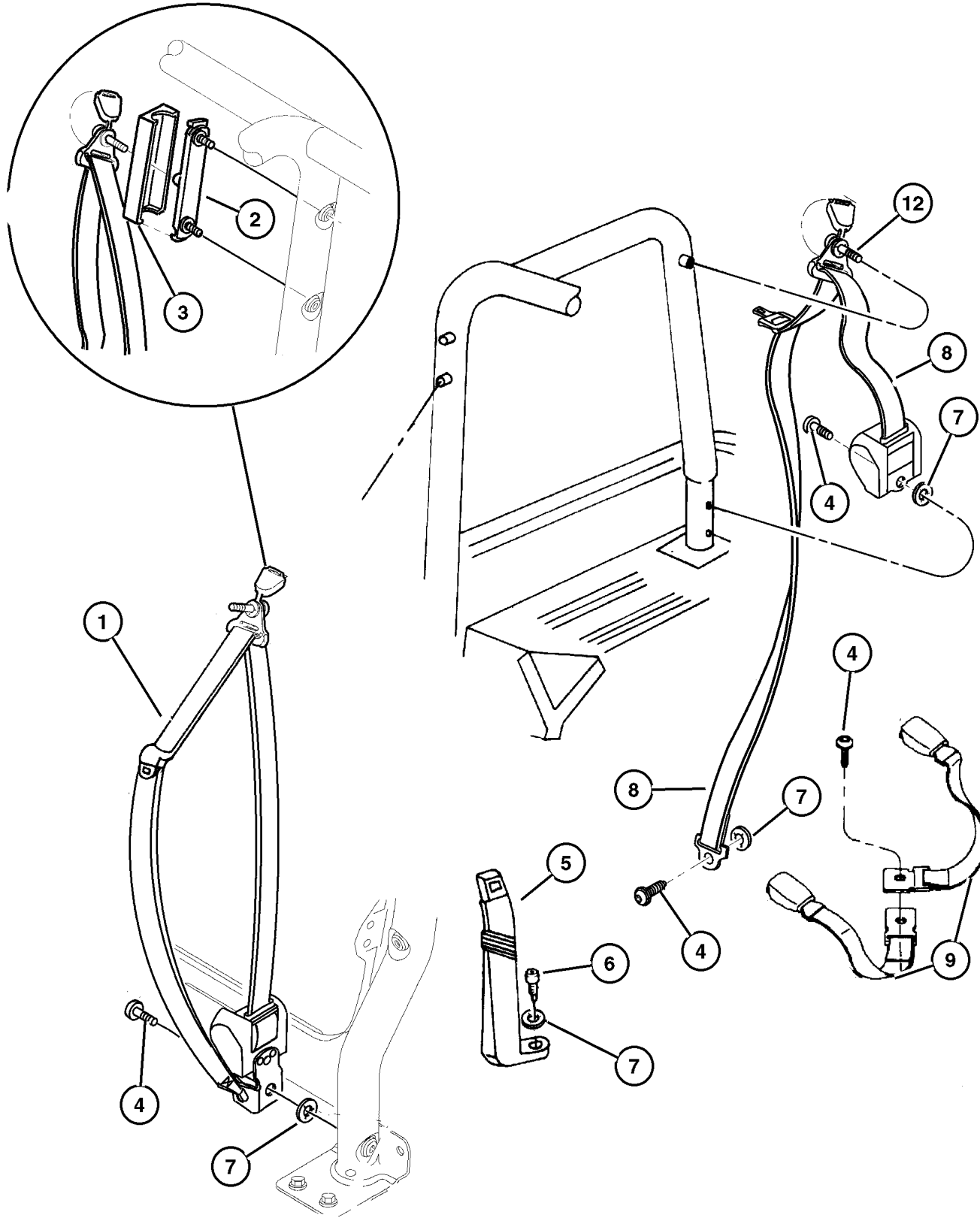
BODY
77=93.4 WB

ENGINE
EPE, EP0 = 2.5L Power Tech
ERH, ER0 = 4.0L Power Tech

TRANSMISSION
DGG, DGD = 32RH 3 Spd. Auto.
DDQ = 5 Spd. Manual
DDD = 5 Speed HD Manual
DGO = Auto Trans.
DDB = Manual Trans.
DDO = All 5 Speed Manual

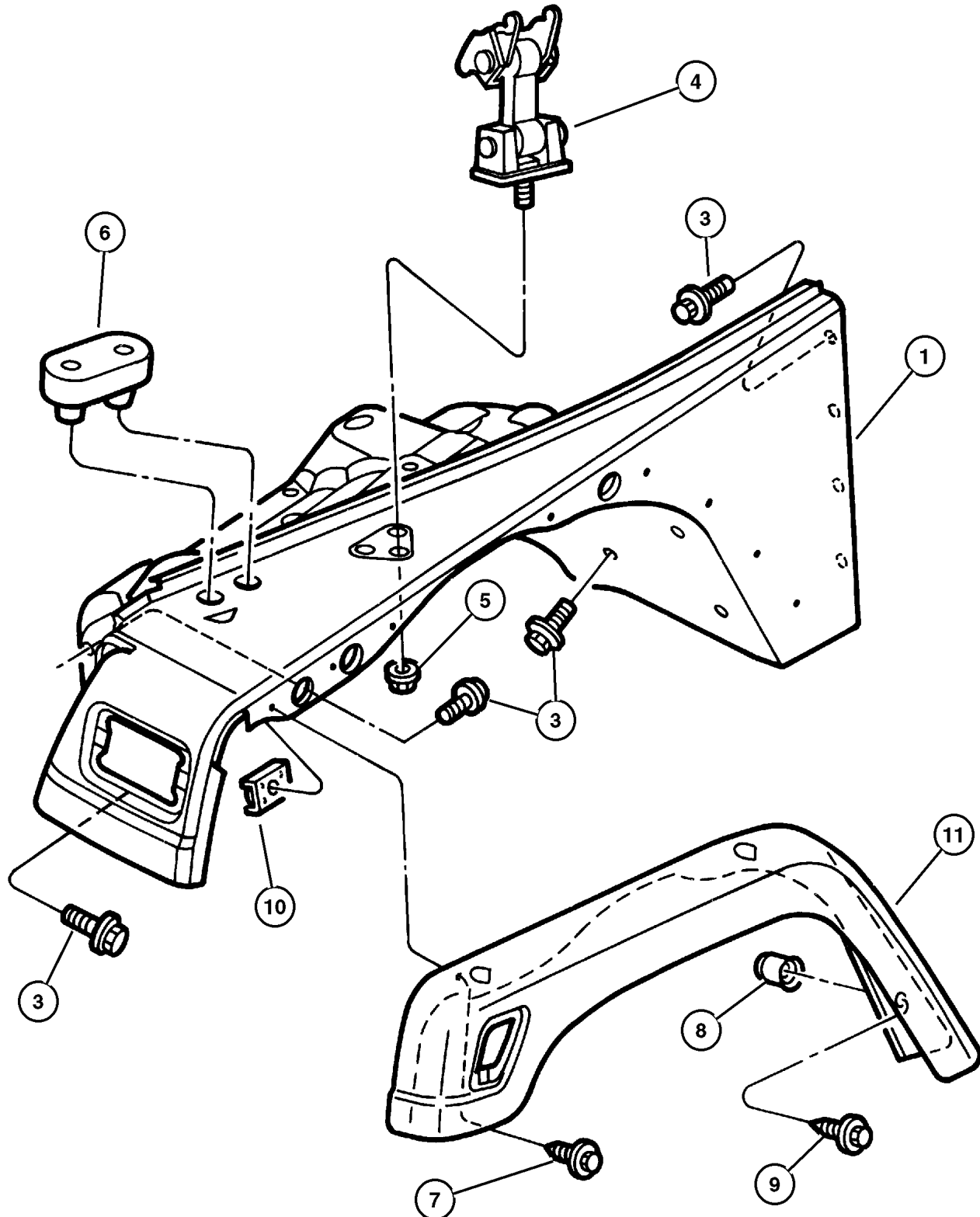
AR = Use as required - = Non illustrated part # = New this model year

February 6, 2002



Fender And Flare, Front
Figure STJ-410

ITEM	PART NUMBER	QTY	LINE	BODY	DESCRIPTION
1					PANEL, Fender
	5003 950AC	1			Right
	5003 951AC	1			Left
-2	5517 4658	2			SHIELD, Splash, Front
3	6100 583	8			BOLT AND CONED WASHER, Hex Head, M8x25x20
4	55176 636AD	2			CATCH, Hood
5	6101 445	2			NUT AND WASHER, Hex Nut-Coned Washer, M8 x 1.25
6	J400 7541	2			BUMPER, Fender, Oblong Head in Front Fender as Hood Cushion
7					SCREW AND WASHER, .190-16x.750, (NOT SERVICED)
8					NUT, M5x0.80x11.09, (NOT SERVICED)
9					SCREW AND WASHER, M5x.080x20.00, (NOT SERVICED)
10					NUT, Plastic
	J400 4868	14			Front
		10			Rear
11					EXTENSION, Fender
	QP94 DX8	1			Black High Gloss, SAHARA, Right
	QP94 DX9	1			Black, Flat, SAHARA, Right
	QP94 SG8	1			Forest Green, SAHARA, Right
	QP94 SW1	1			White, SAHARA, Right
	QP94 WTD	1			Sand, SAHARA, Right
	QP95 DX8	1			Black High Gloss, SAHARA, Left
	QP95 DX9	1			Black, Flat, SAHARA, Left
	QP95 SG8	1			Forest Green, SAHARA, Left
	QP95 SW1	1			White, SAHARA, Left
	QP95 WTD	1			Sand, SAHARA, Left
	5525 4918	1			Black, Textured, Right
	5525 4919	1			Black, Textured, Left



JEEP WRANGLER (TJ)

SERIES
H=Sport
L=SE
P=Sahara

LINE
J = Wrangler 4WD
U = Wrangler 4WD (RHD)

BODY
77=93.4 WB

ENGINE
EPE, EP0 = 2.5L Power Tech
ERH, ER0 = 4.0L Power Tech

TRANSMISSION
DGG, DGD = 32RH 3 Spd. Auto.
DDQ = 5 Spd. Manual
DDD = 5 Speed HD Manual
DG0 = Auto Trans.
DDB = Manual Trans.
DDO = All 5 Speed Manual

CLICK HERE TO **DOWNLOAD** THE COMPLETE MANUAL

- Thank you very much for reading the preview of the manual.
- You can download the complete manual from: www.heydownloads.com by clicking the link below



- Please note: If there is no response to CLICKING the link, please download this PDF first and then click on it.

CLICK HERE TO **DOWNLOAD** THE COMPLETE MANUAL