

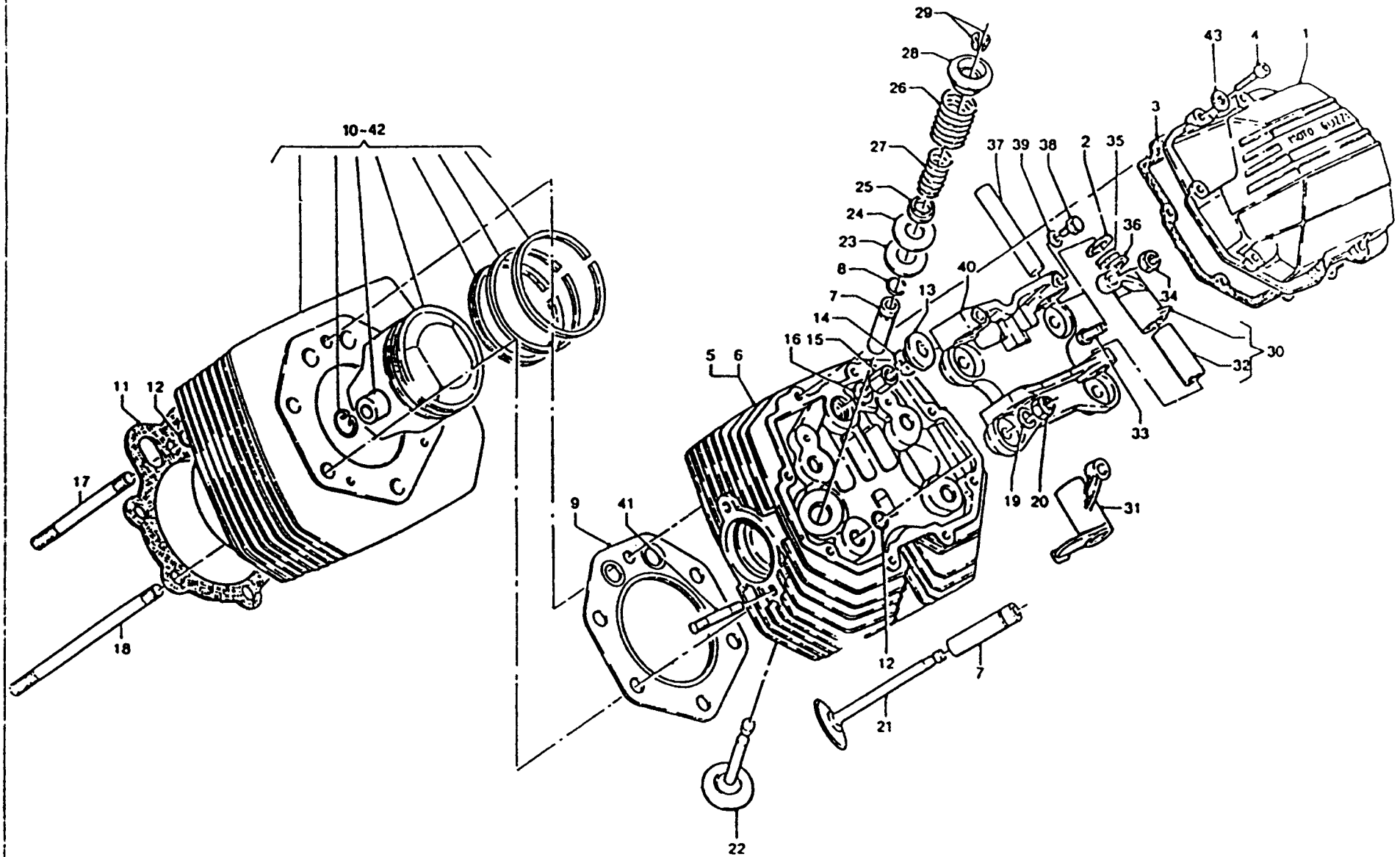
A1

TESTA - CILINDRO
HEAD - CYLINDER

CULASSE - CYLINDRE
KOPF - ZYLINDER

Tavola - Drawing
Table - Bild

1



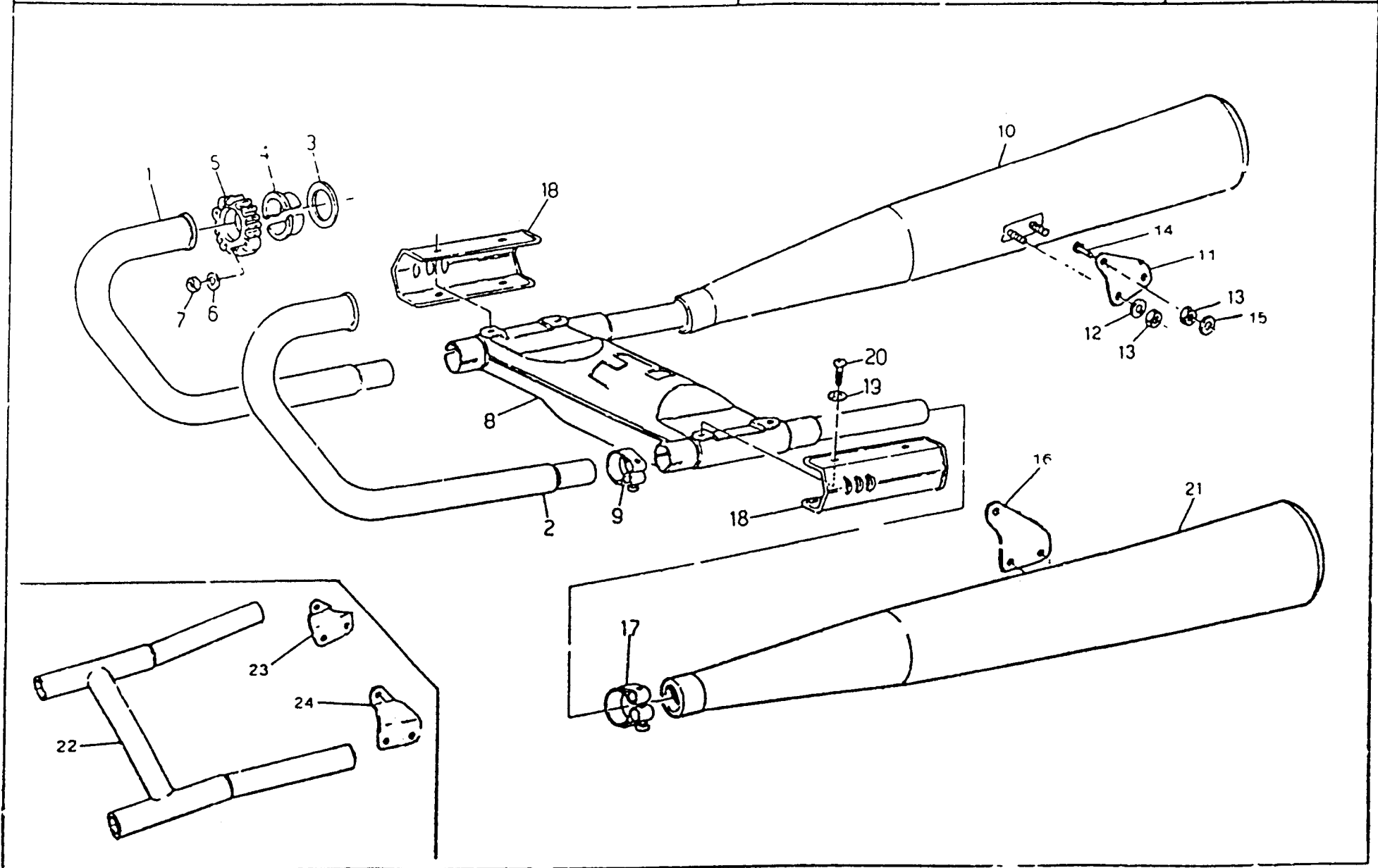
CLICK HERE TO **DOWNLOAD** THE COMPLETE MANUAL

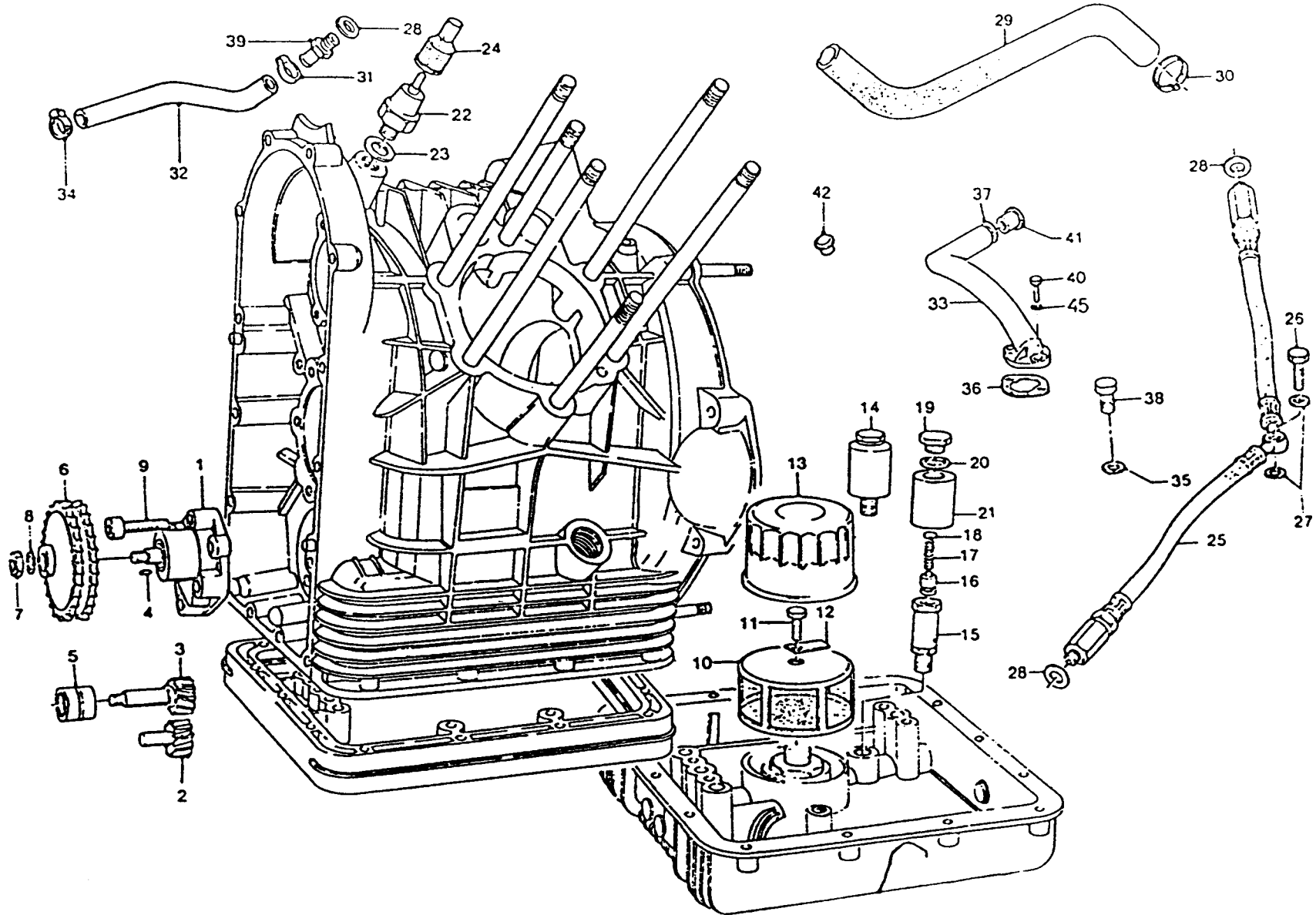
- Thank you very much for reading the preview of the manual.
- You can download the complete manual from: www.heydownloads.com by clicking the link below



- Please note: If there is no response to CLICKING the link, please download this PDF first and then click on it.

CLICK HERE TO **DOWNLOAD** THE COMPLETE MANUAL





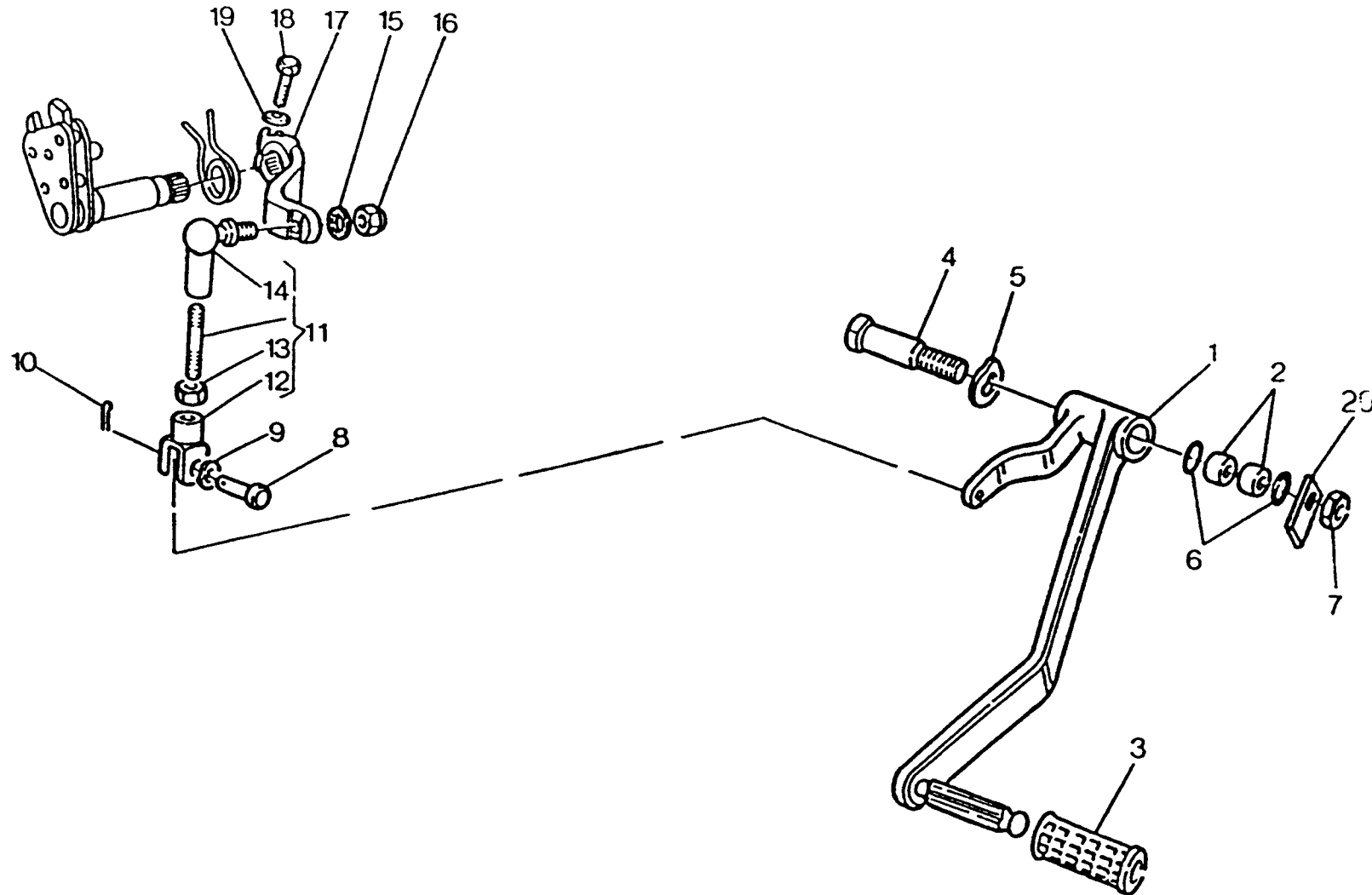
B15

LEVA COMANDO CAMBIO
SHIFTER LEVER

LEVIER COMM. BOÎTE DE VITESSE
GANGSCHALTUNG HEBEL

Tavola - Drawing
Table - Bild

13



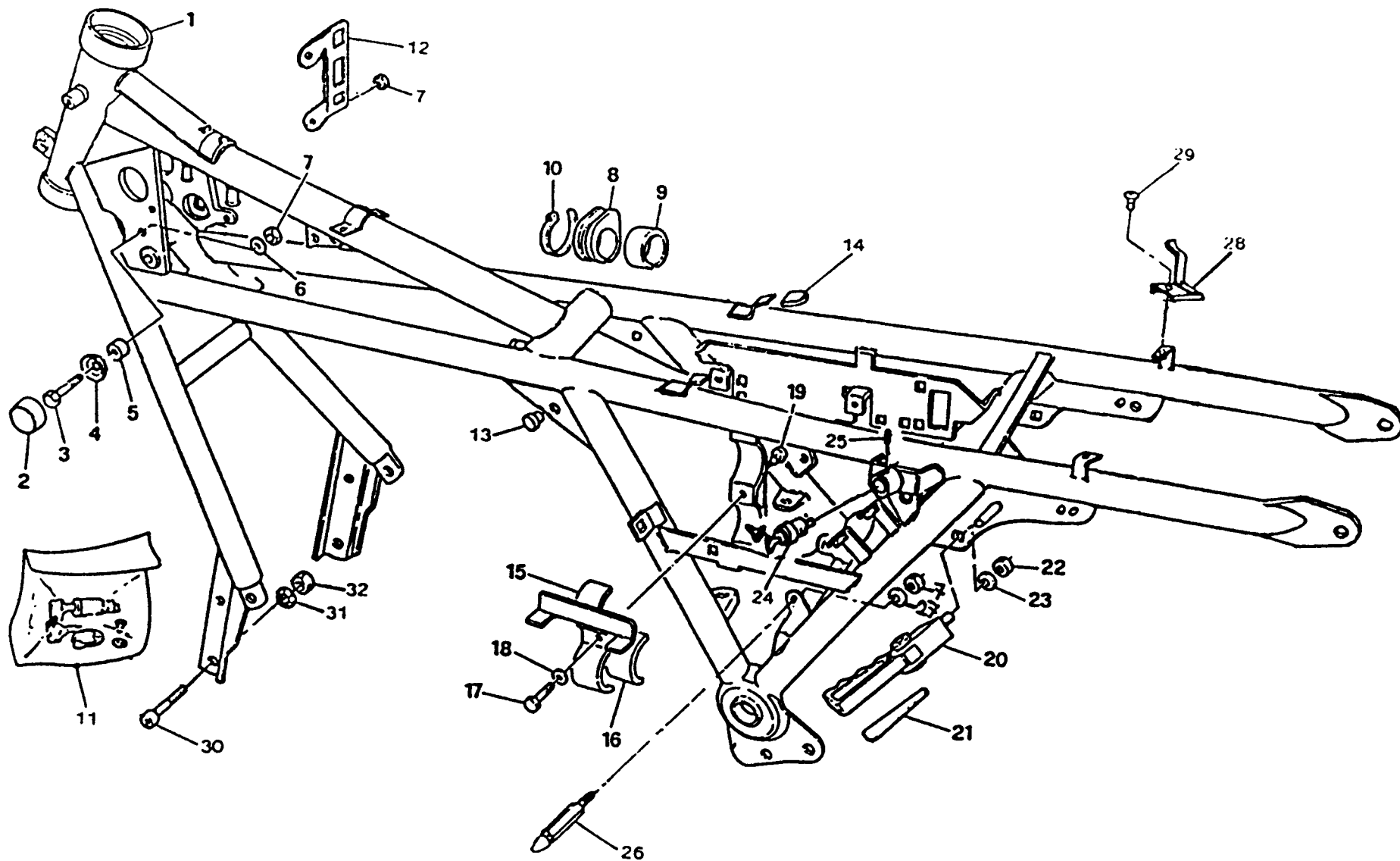
C9

TELAIO
FRAME

CHÂSSIS
RAHMEN

Tavola - Drawing
Table - Bild

16

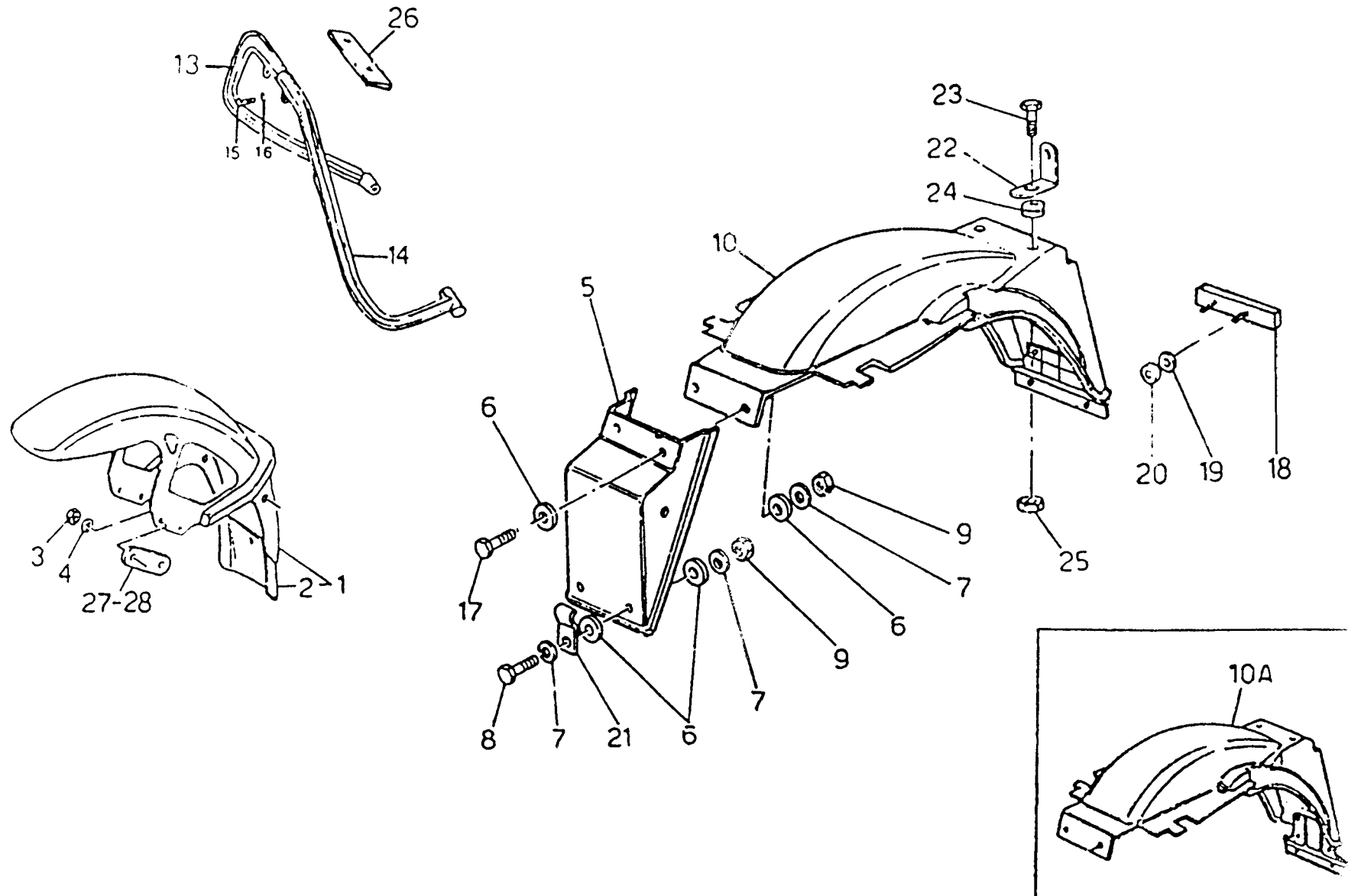


PARAFANGHI ANT. E POST.
FRONT AND REAR MUDGUARD

GARDF BOVE AV. ET AR.
VORD. UND HINT. KITFLÜGEL

Technical Drawing
Table - Bild

12



D11

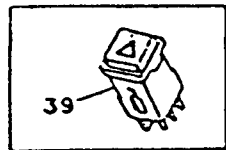
CRUSCOTTO E STRUMENTAZIONE (2ª serie)
 INSTRUMENT BOARD AND INSTRUMENTATION (2nd series)

TABEAU DE BORD ET EQUIP. (2ème série)
 INSTRUMENTENBRETT UND SCHALTBRETTAUSRSTG (2. Serie)

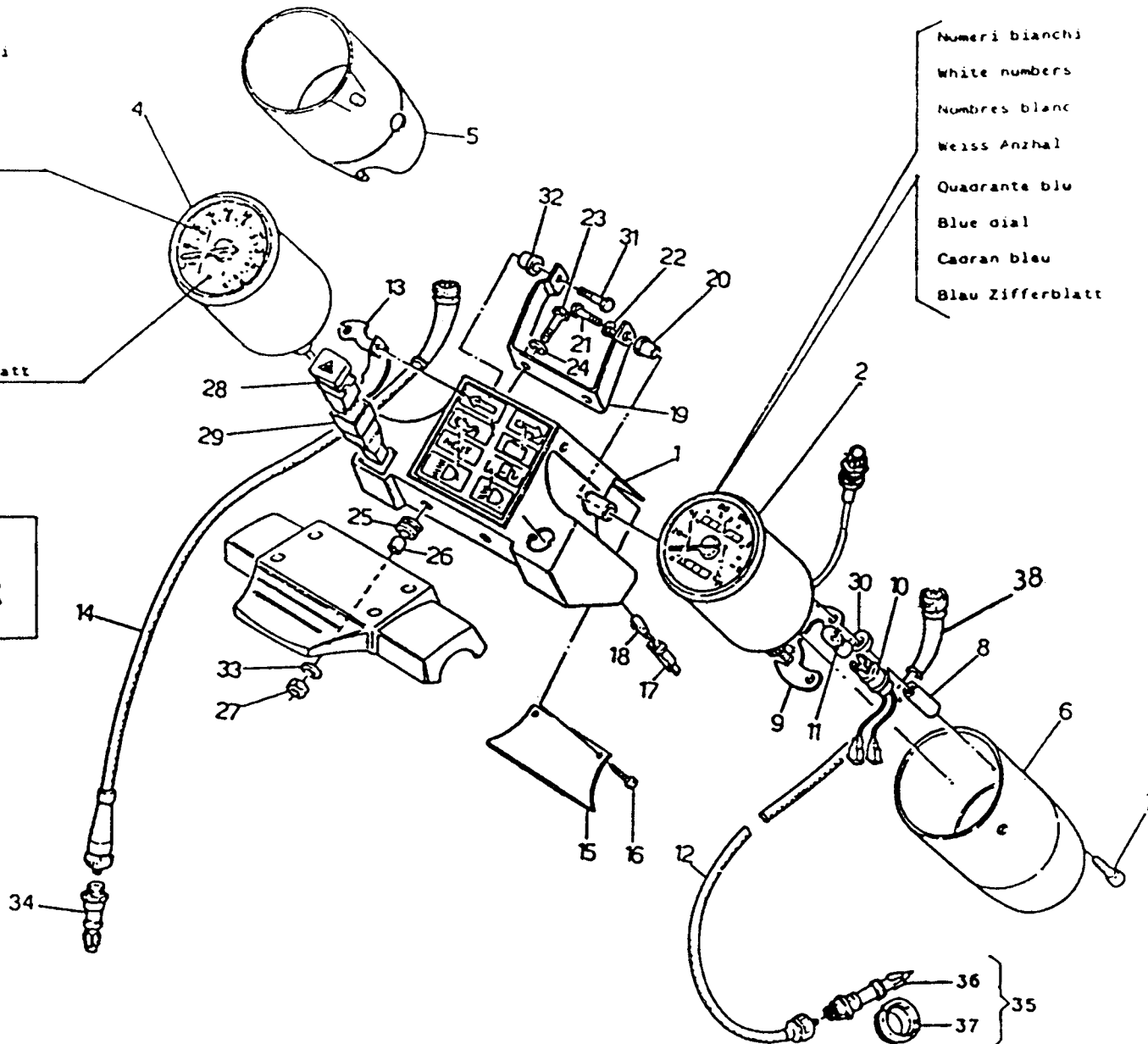
Tavola - Drawing 22A
 Table - Bild

Numeri bianchi
 White numbers
 Nombres blanc
 Weiss Anzhal

Quadrante blu
 Blue dial
 Caoran bleu
 Blau Zifferblatt



Numeri bianchi
 White numbers
 Nombres blanc
 Weiss Anzhal
 Quadrante blu
 Blue dial
 Caoran bleu
 Blau Zifferblatt



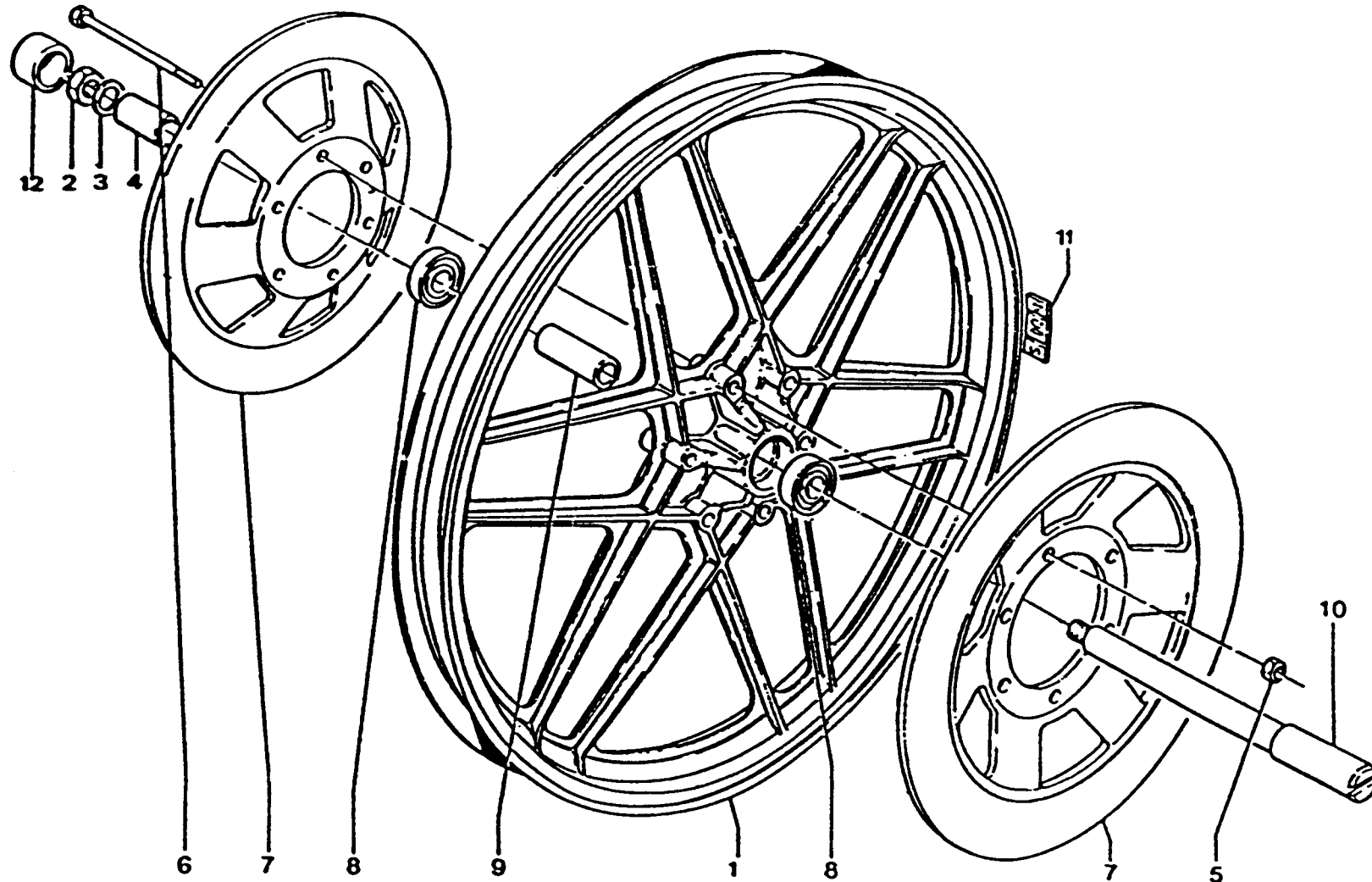
E3

RUOTA ANTERIORE (1ª serie)
FRONT WHEEL (1st series)

ROUE AVANT (1ère série)
VORDERRAD (1. Serie)

Tavola - Drawing
Table - Bild

24



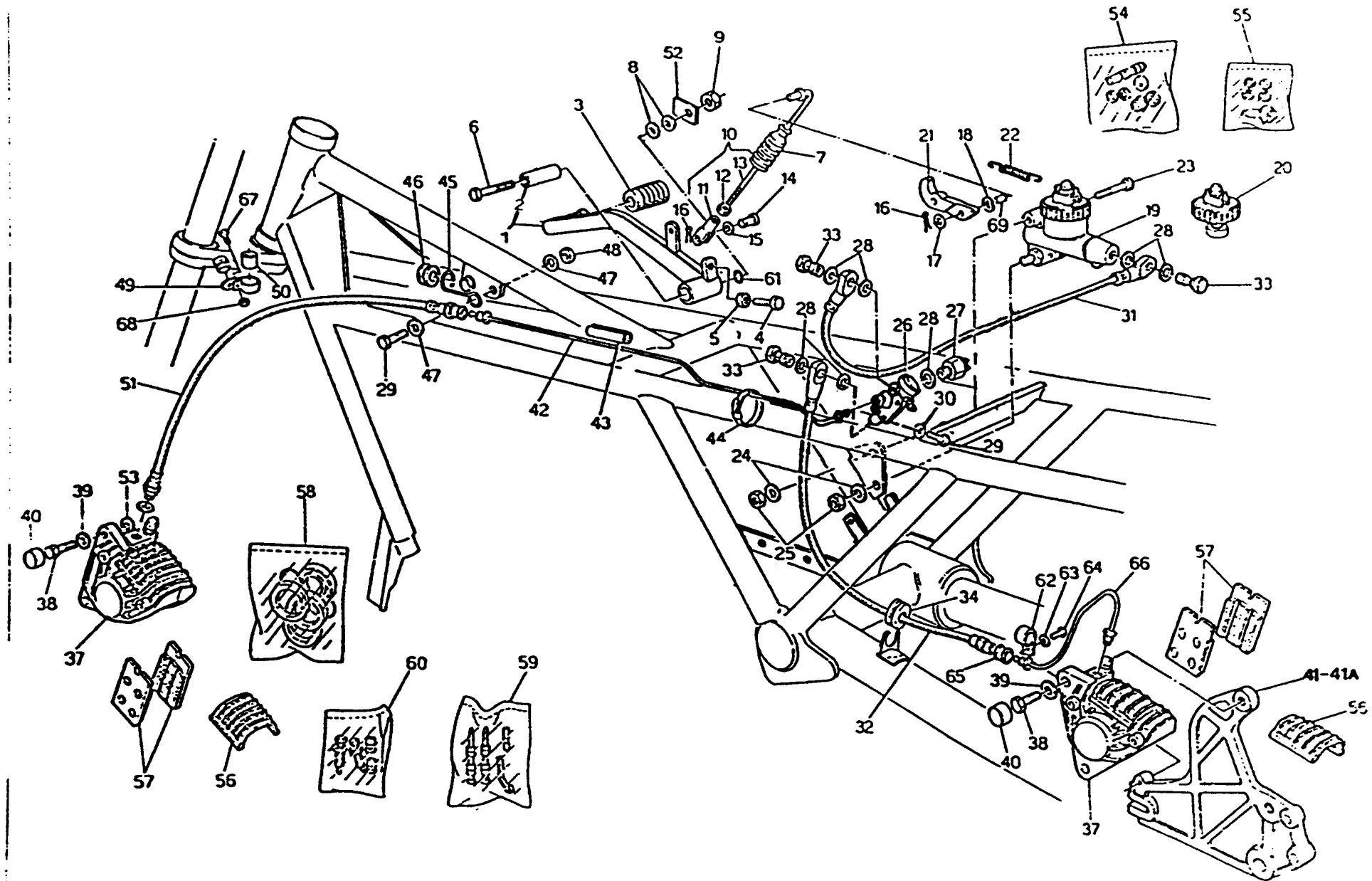
E13

COMANDO IMPIANTO FRENANTE ANT. SX E POST.
L.H. FRONT AND REAR BRAKE SYSTEM

SYSTEME DE FREIN AV. G. ET AR.
BREMSANLAGE HINT. L. UND VORD.

Tavola - Drawing
Table - Bild

27



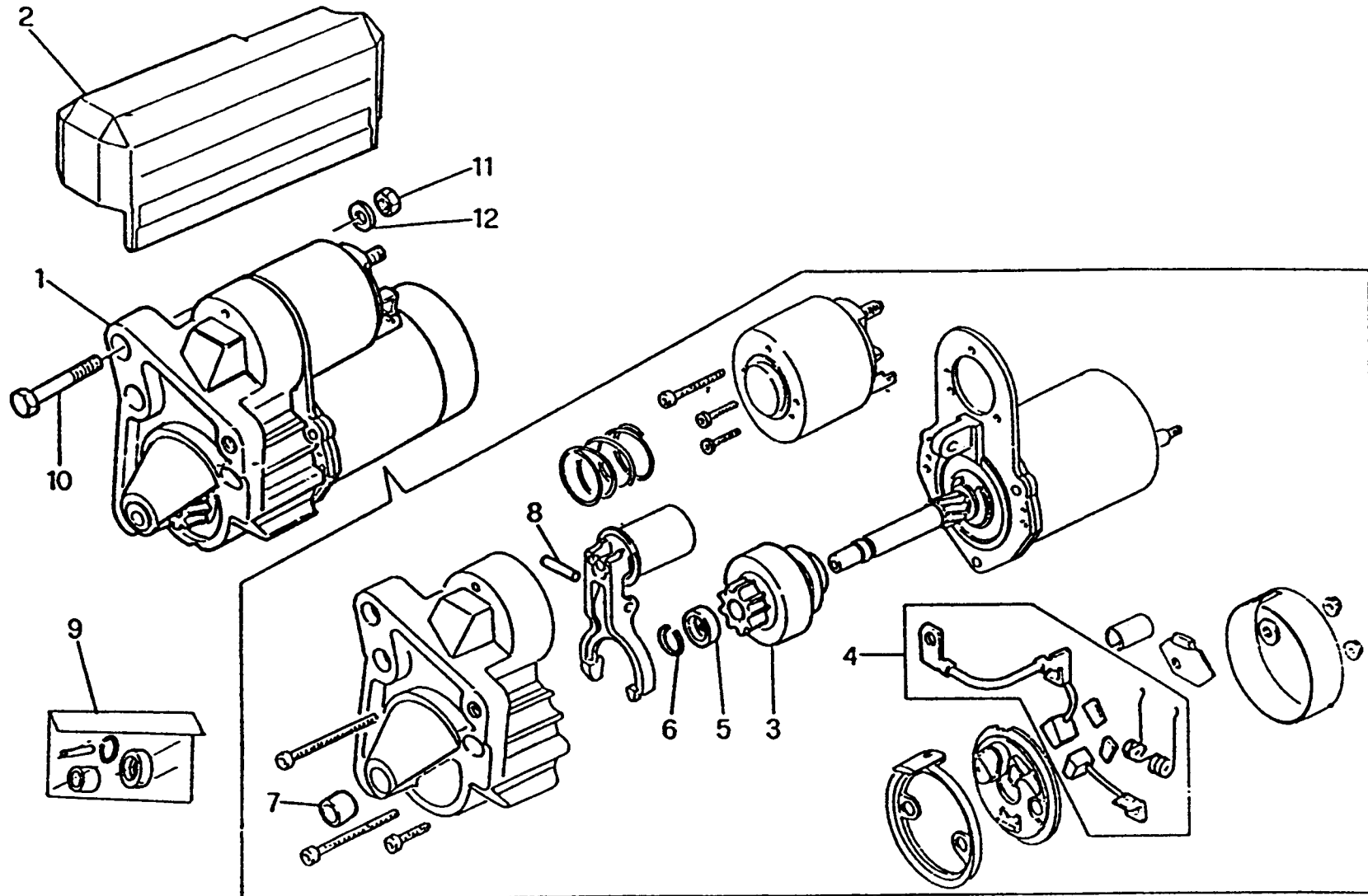
F7

MOTORINO AVVIAMENTO -VALEO- - COMPONENTI
-VALEO- STARTING MOTOR - PARTS

DEMARREUR -VALEO- - PIECES
ANLASSMOTOR -VALEO- - ERSATZTEILE

Tavola - Drawing
Table - Bild

30



CLICK HERE TO **DOWNLOAD** THE COMPLETE MANUAL

- Thank you very much for reading the preview of the manual.
- You can download the complete manual from: www.heydownloads.com by clicking the link below



- Please note: If there is no response to CLICKING the link, please download this PDF first and then click on it.

CLICK HERE TO **DOWNLOAD** THE COMPLETE MANUAL