



Bendi
BENDI SERIES IV
PARTS LIST



1900 NORTH STREET
MARYSVILLE, KANSAS 66508
(785) 562-5381

CLICK HERE TO **DOWNLOAD** THE COMPLETE MANUAL

- Thank you very much for reading the preview of the manual.
- You can download the complete manual from: www.heydownloads.com by clicking the link below



- Please note: If there is no response to CLICKING the link, please download this PDF first and then click on it.

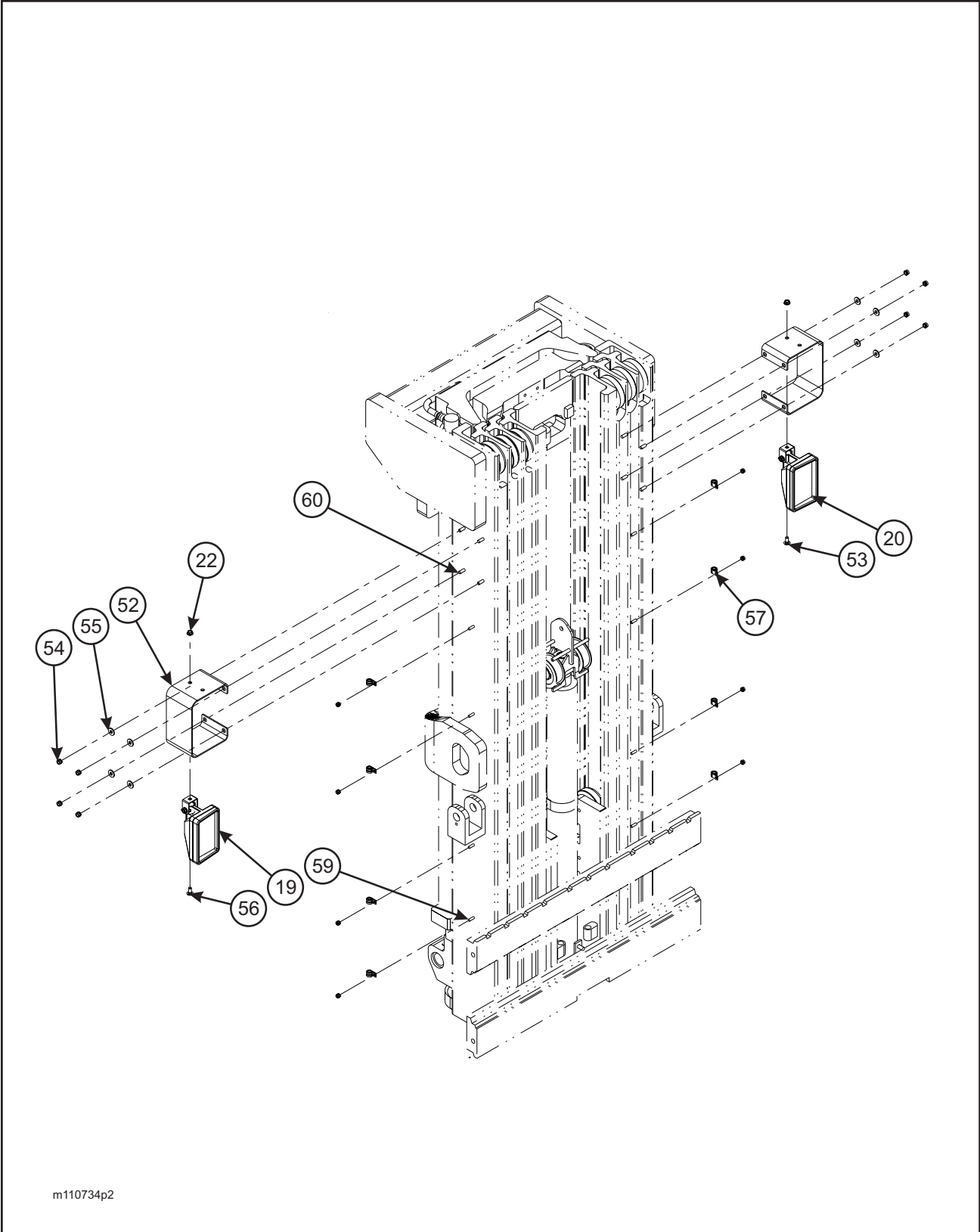
CLICK HERE TO **DOWNLOAD** THE COMPLETE MANUAL

COUNTERWEIGHT AND COVER ASSEMBLY

ITEM	PART NO.	DESCRIPTION	QTY.
1	101967	NUT, HEX JAM M10 X 1.5 GRB	3
2	106803	COVER, FRONT ROTATION	1
3	107199	KNOB, TAPERED BLACK	3
4	108797	WASHER, INTERNAL TOOTH LOCKING 1/4	REF
5	110427	PIN, HITCH 1-1/8	1
6	110-7389	WASHER, FLAT 1" SAE	3
7	110843	SCREW, BUTTON HEAD CAP 5/16-18 X 3/4	7
8	115958	SCREW, BUTTON HEAD 1/4-20 X 1/2	REF
9	119001	COUNTERWEIGHT LH (B35, B40)	1
	128851	COUNTERWEIGHT LH (B25, B30)	1
10	119003	COUNTERWEIGHT RH (B35, B40)	1
	128852	COUNTERWEIGHT RH (B25, B30)	1
11	120132	COUNTERWEIGHT REAR (B40)	1
	120133	COUNTERWEIGHT REAR (B30)	1
	109014	COUNTERWEIGHT REAR (B35)	1
	109042	COUNTERWEIGHT REAR (B25)	1
12	121421	LEVER, CONTROL LIFT	1
13	121571	LEVER, CONTROL TILT/SIDESHIFT	2
14	121715	COVER, CONTROL VALVE (B35, B40)	1
	120139	COVER, CONTROL VALVE (B25, B30)	1
15	127100	FRAME WELDMENT (B40)	REF
	128844	FRAME WELDMENT (B25, B30)	REF
16	127627	WASHER, INTERNAL TOOTH LOCKING 5/16	7
17	136969	COVER, COLUMN PIPING	REF
18	1-647-010004255	ROLL PIN, SLOTTED 3/8 X 2	1
19	1-654-010125-13	SCREW, HEX HEAD CAP 1-8 X 4 GR8	4
20	1-654-010125-18	SCREW, HEX HEAD CAP 1-8 X 6-1/2 GR8	3
21	1-861-010032-09	WASHER, FLAT 5/16W	7
22	1-861-010034-21	WASHER, SPLIT LOCK 1"	7
23	1-861-010032-07	WASHER, FLAT 1/4	REF
24	106955	SCREW, BUTTON HEAD CAP 1/4-20 X 3/4	REF
25	107539	SCREW, PAN HEAD #6-32 X 1/2	4

POWER STEERING MOTOR HYDRAULIC ASSEMBLY

ITEM	PART NO.	DESCRIPTION	QTY.
1	123908	ADAPTER, CONNECTOR (B25, B30)	1
	0018104	ADAPTER, LIFT PUMP PRESSURE (B35, B40)	1
2	1-654-010049-05	SCREW, HEX HEAD CAP 5/16-18 X 1 GR5	18
3	1-654-010055-03	SCREW, HEX HEAD CAP 1/2-13 X 1-1/2 GR5	4
4	1-861-010032-09	WASHER, FLAT 5/16W	18
5	1-861-010032-15	WASHER, FLAT 1/2W	4
6	1-861-010034-10	WASHER, SPLIT LOCK 5/16	18
7	1-861-010034-11	WASHER, SPLIT LOCK 3/8	8
8	1-861-010034-13	WASHER, SPLIT LOCK 1/2	4
9	104400	ISOLATION PAD, MOTOR MOUNTS	2
10	108417	NUT, SPIRALOCK HEX FLANGE 1/4-20	3
11	110-0010	SCREW HEX HEAD CAP 3/8-24 X 1-1/4	4
12	120103	PLATE, STEERING MOTOR MOUNT	1
13	123907	ADAPTER, 45 ELBOW	1
14	123909	ADAPTER, 45 ELBOW	1
15	125893	CLAMP, CABLE 1/2 SST	2
16	130607	HOSE, 22"	1
17	128863	MOTOR, ELEC. STEER 8.3 HP (SEE PAGE 1-53)	1
18	130739	PUMP, HYD HP STEERING (SEE PAGE 1-60)	1
19	129934	TUBE, STEERING PUMP TO VALVE BODY (B25, B30)	1
	129422	TUBE, STEERING PUMP TO VALVE BODY (B35, B40)	1



m110734p2

**FIGURE 1-15 OVERHEAD GUARD, ALARM, AND LIGHTING ASSEMBLY
(2 OF 2)**

LOAD WHEEL AND AXLE ASSEMBLY

ITEM	PART NO.	DESCRIPTION	QTY.
2	130743	LOAD WHEEL ASSY (INCL ITEMS 19-21)	2
	130741	LOAD WHEEL ASSY 14" (ITEMS 19-20, 22)	2
3	0019039	HUB CAP, LOAD WHEEL	2
4	0022008	BEARING, DOUBLE CONE	4
5	0022015	SEAL, LOAD WHEEL BENDI	2
6	0022016	O-RING, LOAD WHEEL BENDI	2
7	1-516-010001-20	NUT, HEX SLOT 1-14	2
8	1-654-010065-15	SCREW HEX HEAD CAP 1-8 X 5 GR5	4
9	113099	WASHER, BT SPINDLE	2
10	1-861-010034-21	WASHER, SPLIT LOCK 1"	4
11	107202	BLOCK, FRONT AXLE MOUNT	2
12	106525	WELDMENT, FRT AXLE B30-12	1
	110978	WELDMENT, FRT AXLE B30-14	1
	109388	AXLE WELDMENT, B40-14 FRONT	1
	107207	AXLE WELDMENT, B40-12 FRONT	1
13	110-0354	COTTER PIN	2
14	3-654-010015	SCREW, HEX SOC FLAT CTSK 1/4-20 X 1/2	8
15	40-0848	PLATE, TILT BLOCK COVER	2
16	40-0861	O-RING, TRUNNION COVER	2
17	100018	BUSHING, BT FRONT AXLE PIVOT	2
18	5410	FITTING, GREASE 1/4-28 90	2
19	130733	WHEEL, FRONT LOAD HUB	1
20	0022007	BEARING CUP LOAD WHEEL BENDI	2
21	0022017	LOAD WHEEL BENDI	1
22	109091	TIRE, 14 X 5 X 8	2

FRONT ROTATION ASSEMBLY

ITEM	PART NO.	DESCRIPTION	QTY.
51	128665	SENSOR, POSITION 12VDC INPUT (SEE PAGE 1-47)	1
52	1-512-010005-03	NUT, HEX LOCK 5/16-18 GR2	2
53	1-861-010032-07	WASHER, FLAT 1/4W	2
54	115958	SCREW, BUTTON HEAD CAP 1/4-20 X 1/2	4
55	124845	U-BOLT, 5/16-18 X 2 X 2-11/16	1
56	108797	WASHER, LOCKING INT TOOTH 1/4	4
57	115827	INDICATOR, RH TILT	1
58	0010867	PIN, LOWER MAST	2
59	1-654-010059-07	SCREW, HEX HEAD CAP 5/8-11 X 2-1/2 GR5	4
60	1-861-010034-15	WASHER, SPLIT LOCK 5/8	4
62	110-7389	WASHER, FLAT 1" SAE	6
63	127100	FRAME B40-48 (B35, B40)	REF
	128844	FRAME B30-42 (B25, B30)	REF
64	115826	INDICATOR, LH TILT	1
65	0023202	SEAL, MAST PIVOT BENDI 48	4
66	0023205	BUSHING, MAST BENDI 48	2
67	112838	SCREW, HEX HEAD CAP 3/8-16 X 1-1/4 GR8	1
68	107944	PLATE, PINION RETAINER	1
69	127629	PINION, STRAIGHT BORE	1
70	130416	BEARING, MOTOR SUPPORT	1
71	126418	MOTOR, EATON 4000 COMPACT 29.8 (SEE PAGE 1-59)	REF
72	128077	SCREW, HEX SOCKET 1/2-20 X 2	4
73	130593	ADAPTER, 90 ELBOW	REF
74	128862	ADAPTER, CONN	REF
75	129444	TUBE, VALVE BODY D1 TO STEERING CASE DR	1
76	129436	TUBE, VALVE BODY M1 TO STEERING MOTOR	1
77	129437	TUBE, VALVE BODY M2 TO STEERING MOTOR	1
78	1-394-010002	HOSE, ABRASION SLEEVE X 2-7/8	2

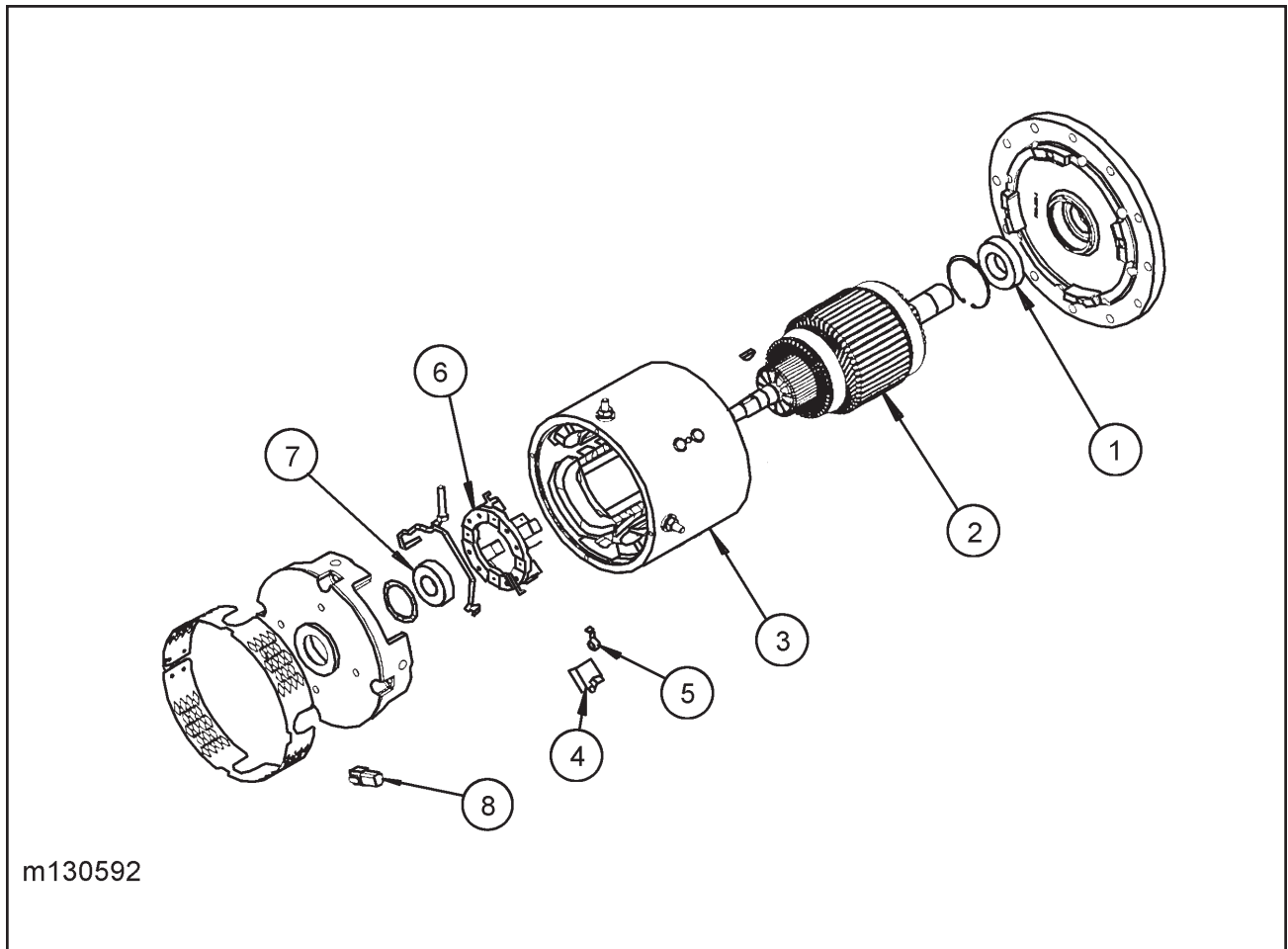


FIGURE 1-32 SHAFT DRIVE MOTOR ASSEMBLY

SHAFT DRIVE MOTOR ASSEMBLY, 5.5 KW

ITEM	PART NO.	DESCRIPTION	QTY.
	130592	MOTOR, DRIVE 5.5KW BREVINI MOUNT	
1	130942	BEARING	1
2	132081	ARMATURE ASSEMBLY	1
3	132082	FRAME AND FIELD ASSEMBLY	4
4	128164	BRUSH WEAR INDICATOR SERVICE PKG	4
5	128165	BRUSH SPRING	1
6	0033011-10	BRUSH BOX ASSEMBLY	1
7	0033015-02	BEARING	1
8	132086	CONNECTOR SERVICE KIT (INCL THERMO SENSOR AND INSTALLATION CLIP)	1

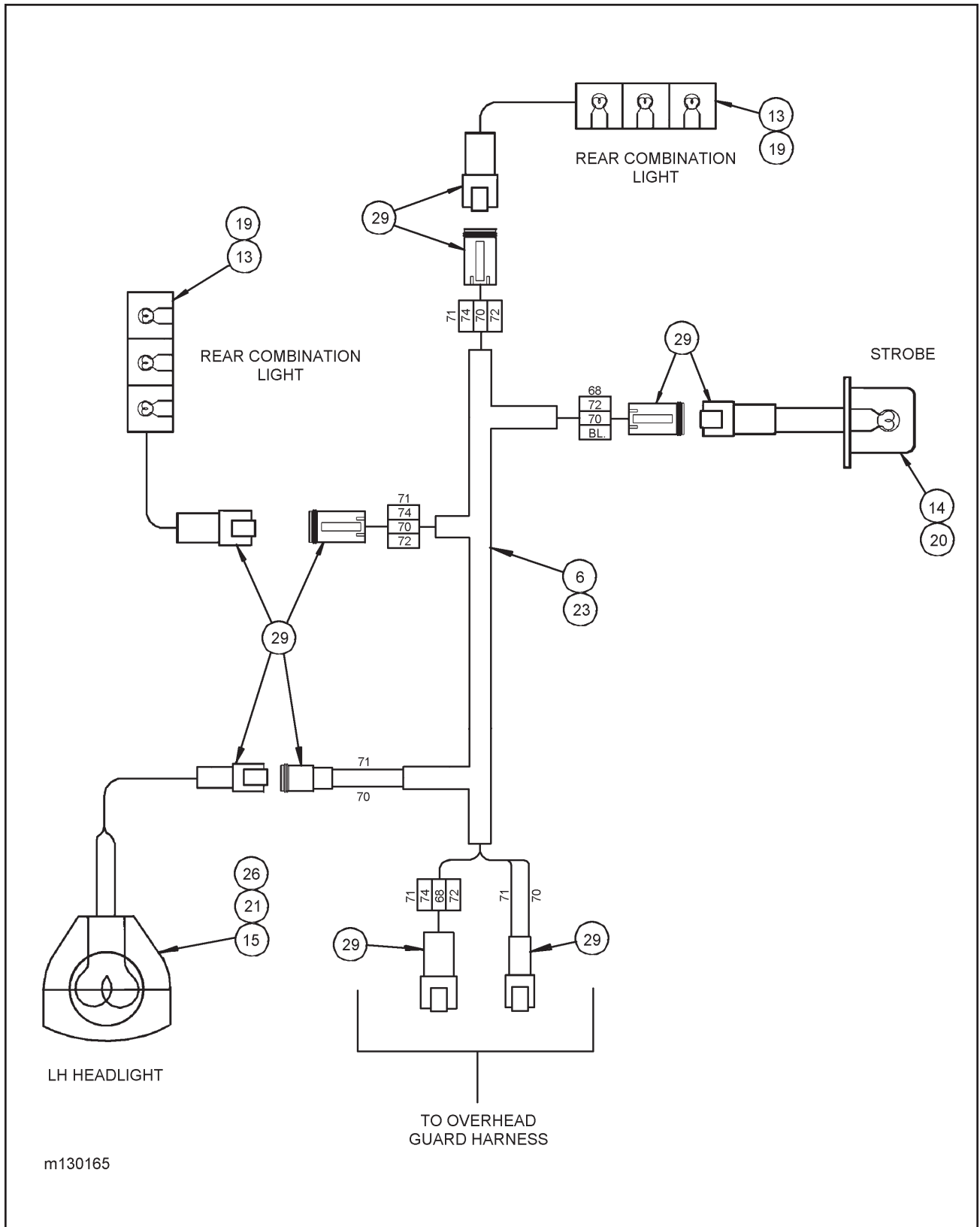


FIGURE 1-40 OPTIONAL LIGHTING HARNESS INSTALLATION

HEAVY CABLE INSTALLATION

ITEM	PART NO.	DESCRIPTION	QTY.
1	0037001-026	CABLE ASSEMBLY 1/0 X 26	2
2	0037002-078	CABLE ASSEMBLY 2/0 X 78 (B25, B30)	2
3	0037003-086	CABLE ASSEMBLY 2/0 X 86 MAIN LEADS	*2,1
4	122048	MOTOR LIFT HI-SPEED	REF
5	0037003-060	CABLE ASSEMBLY 2/0 X 60 MAIN LEADS (B35, B40)	1
6	113418	CABLE ASSEMBLY 1/0 X 24	1
7	114609	CABLE ASSEMBLY 1/0 X 30	3
8	114610	CABLE ASSEMBLY 1/0 X 36	3
9	116486	CABLE ASSEMBLY 1/0 X 50	1,2
10	0037001-063	CABLE ASSEMBLY 1/0 X 63 (B35, B40)	1
11	128863	MOTOR, ELEC STEER 8.3HP (SEE PAGE 1-53)	REF
12	1-654-010055-03	SCREW, HEX HEAD CAP 1/2-13 X 1-1/2 GR5	5
13	129643	MOTOR, DRIVE 4KW W/ PLNTRY (B25, B30) (SEE PAGE 1-54)	REF
	130592	MOTOR, DRIVE 5.5KW (B25, B30) (SEE PAGE 1-55)	REF
	128298	MOTOR, BREV. DRIVE, ADC 6KW (B35, B40) (SEE PAGE 1-56)	REF
	130591	MOTOR, DRIVE 7.5KW BREV. (B35, B40) (SEE PAGE 1-57)	REF
14	1-861-010034-13	WASHER, SPLIT LOCK 1/2	5
15	130407	DISCONNECT BUTTON, BATTERY (B25, B30)	1
16	30008	CONNECTOR BATTERY SB350 BLUE	1
17	139449	CONTROL PANEL, DUAL MOTOR (SEE PAGE 1-77)	REF
18	1-512-010007-05	NUT, HEX 1/4-20	2
19	1-822-010002	TRIM-LOK 3/16 (B35, B40) (NOT SHOWN)	AR
20	1-861-010032-07	WASHER, FLAT 1/4 (B35, B40)	2
21	1-861-010034-09	WASHER, SPLIT LOCK 1/4 (B35, B40)	2
22	106954	SCREW, BUTTON HEAD CAP 1/4-20 X 5/8 (B35, B40)	1
23	108417	NUT, HEX FLANGE SPIRALOCK 1/4-20 (B35, B40)	1
24	109099	CLAMP, DOUBLE TUBE 5/8 (B35, B40)	1
25	111630	SCREW, HEX SOCKET CTSK 1/4-20 X 1.5 (B35, B40)	2
26	100218	HANDLE, BATTERY DISCONNECT (B35, B40)	1
27	1-861-010032-14	WASHER, FLAT 1/2N	5
28	1-394-010002	HOSE, ABRASION SLEEVE X 2-7/8	AR
29	127072	BOOT, RED HIGH TEMP	2
30	43028	HOSE WRAP 3/8	4
31	143356	SETTINGS, NAVITAS CONTROLLER (NOT SHOWN)	1

* 1ST QUANTITY SHOWN IS FOR B25/B30 MODELS; 2ND QUANTITY IS FOR B35/B40 MODELS

DECAL PLACEMENT

ITEM	PART NO.	DESCRIPTION	QTY.
1	0010112	DECAL, DANGER, ROLLOVER	1
2	0010113	DECAL, OVERLOAD WARNING	1
3	0010114	DECAL, BEFORE OPERATING WARNING	1
4	0010116	DECAL, COVER OPEN WARNING	1
5	0010117	DECAL, PROPER VEHICLE LOADING	1
6	0010123	PLACARD, FORKLIFT PATENTS	1
7	126614	DECAL, ACCENT STRIPE RH	1
8	0014004	PLACARD, BENDI LANDOLL	1
9	107-0828	POP RIVET 5/32	AR
10	107484	DECAL, BOW TIE	1
11	10104	DECAL, BATTERY CAUTION	2
12	10105	DECAL, SIDESHIFT CAUTION	2
13	10106	DECAL, OVERHEAD GUARD	1
14	10107	DECAL, TIRE REPLACEMENT	2
15	10108	DECAL, OPERATOR WARNING	1
16	103804	DECAL, OHG PINCH POINT	2
17	104831	DECAL, BENDI DIRECTIONAL	1
18	110815	DECAL, HYDRAULIC OIL LEVEL	1
19	111009	DECAL, HORN BENDI	1
20	126196	TAPE, NO-SLIP LH	1
21	126197	TAPE, NO-SLIP RH	1
22	2-573-010335	DECAL, DANGER PINCHING	2
23	131357	DECAL, B25 SERIES IV OVAL	2
	131358	DECAL, B30 SERIES IV OVAL	2
	131359	DECAL, B35 SERIES IV OVAL	2
	131360	DECAL, B40 SERIES IV OVAL	2
24	126484	DECAL, ACCENT STRIPE LH	1
25	121422	PLACARD, OPERATOR DATA	1
27	131056	DECAL, BENDI DIVISION	2
28	131453	DECAL, BATTERY LEAD WARNING (B35 & B40)	1
29	104808	DECAL, ES TRUCK	2
30	0011042	DECAL, MADE IN USA FLAG	1
31	105360	DECAL, ROTATION INDICATOR WHITE	2
32	125526	DECAL, NO RIDERS	2
33	125527	DECAL, DO NOT REMOVE GUARD	1
34	125528	DECAL, APPLY PARK BRAKE	1
35	0012530	DECAL, TILT INDICATOR	1
36	131555	DECAL, LANDOLL YELLOW BENDI	2
37	131556	DECAL, BREVINI OIL SPEC	2
38	131557	DECAL, HYD FILTER	1
39	102159	DECAL, CAUTION ROLLOUT BATTERY	1
40	0010122	DECAL, EE TRUCK	2
41	105563	PLACARD, EE FM APPROVED	1
42	131830	DECAL, BENDI PROGRAM 1	1
	131831	DECAL, BENDI PROGRAM 2	1
	131832	DECAL, BENDI PROGRAM 3	1
43	131839	DECAL, ELECTRICAL SCHEMATIC 1	1
44	131840	DECAL, ELECTRICAL SCHEMATIC 2	1
45	131841	DECAL, ELECTRICAL SCHEMATIC 3	1
46	131842	DECAL, ERROR CODES	1
47	139247	DECAL, BRUSH WEAR INDICATORS (SEE PAGE 1-31)	REF

CLICK HERE TO **DOWNLOAD** THE COMPLETE MANUAL

- Thank you very much for reading the preview of the manual.
- You can download the complete manual from: www.heydownloads.com by clicking the link below



- Please note: If there is no response to CLICKING the link, please download this PDF first and then click on it.

CLICK HERE TO **DOWNLOAD** THE COMPLETE MANUAL