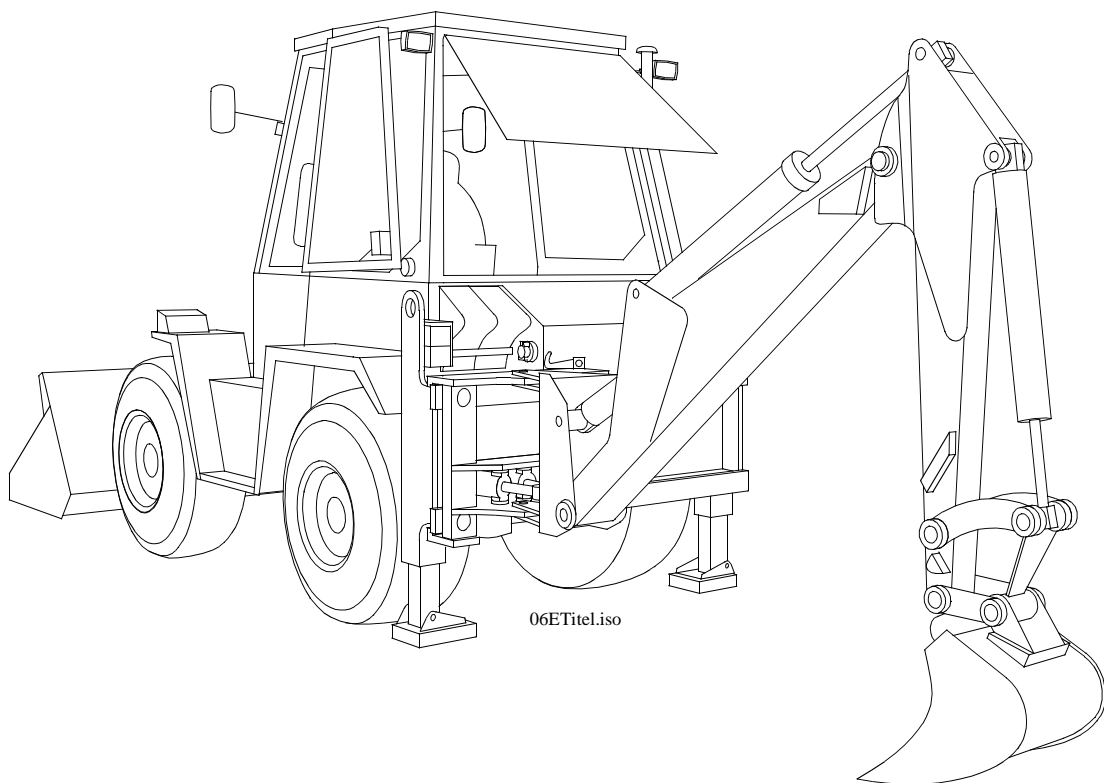


# KramerAllrad

## Tieflöffelbagger TB 45

Typ 01349-00



## Ersatzteilliste

**Ausgabe 1.3**

**Teil-Nummer 0 06 003 00 90**

**Gültig ab Fabrik-Nr.**

**1349 00 405 003**

Kramer Werke GmbH  
Postfach 10 15 63  
D-88 645 Überlingen  
Telefon-Nr. 07551 - 802 - 0  
Telefax-Nr. 07551 - 802 - 234

CLICK HERE TO **DOWNLOAD** THE COMPLETE MANUAL

- Thank you very much for reading the preview of the manual.
- You can download the complete manual from: [www.heydownloads.com](http://www.heydownloads.com) by clicking the link below



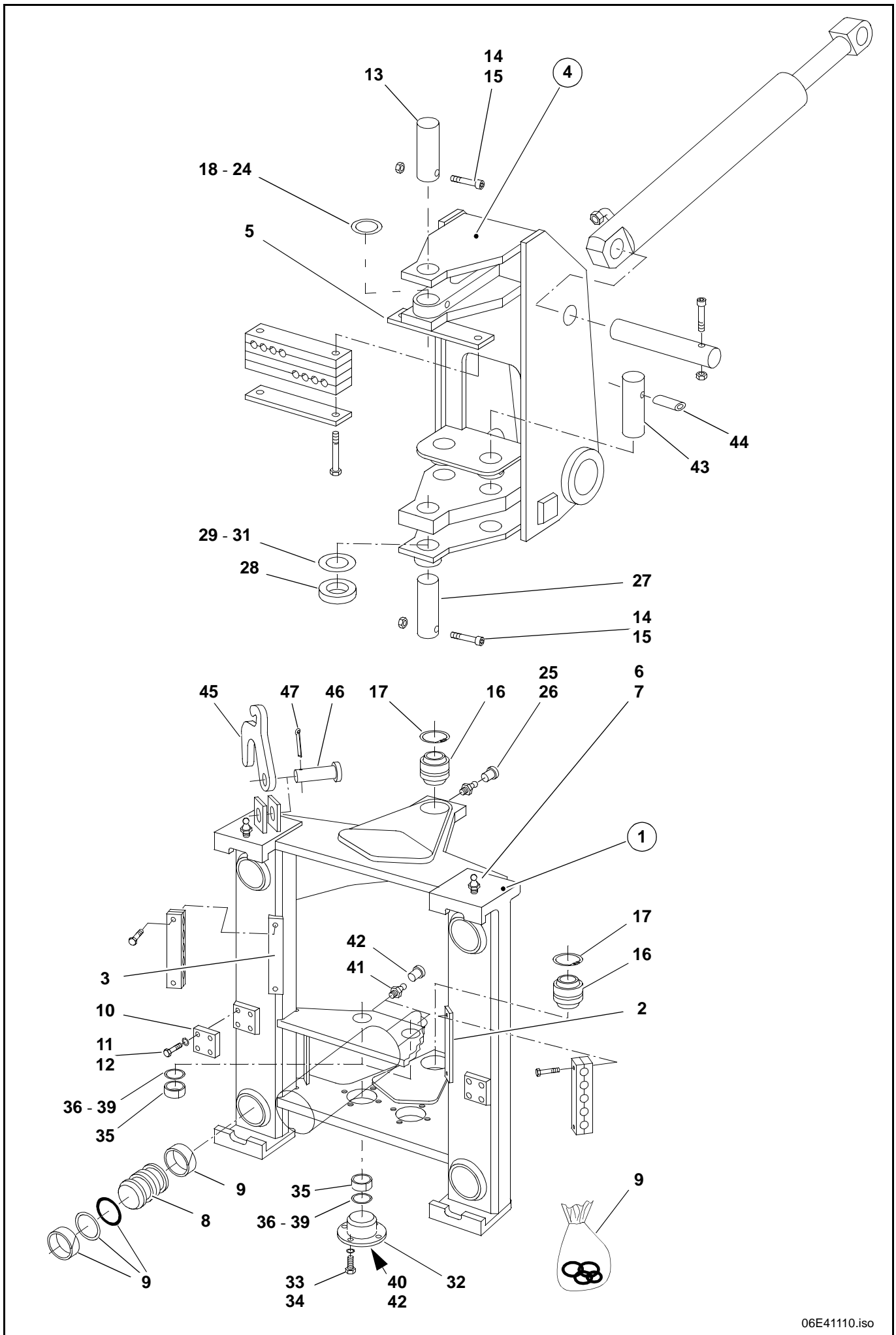
- Please note: If there is no response to CLICKING the link, please download this PDF first and then click on it.

CLICK HERE TO **DOWNLOAD** THE COMPLETE MANUAL

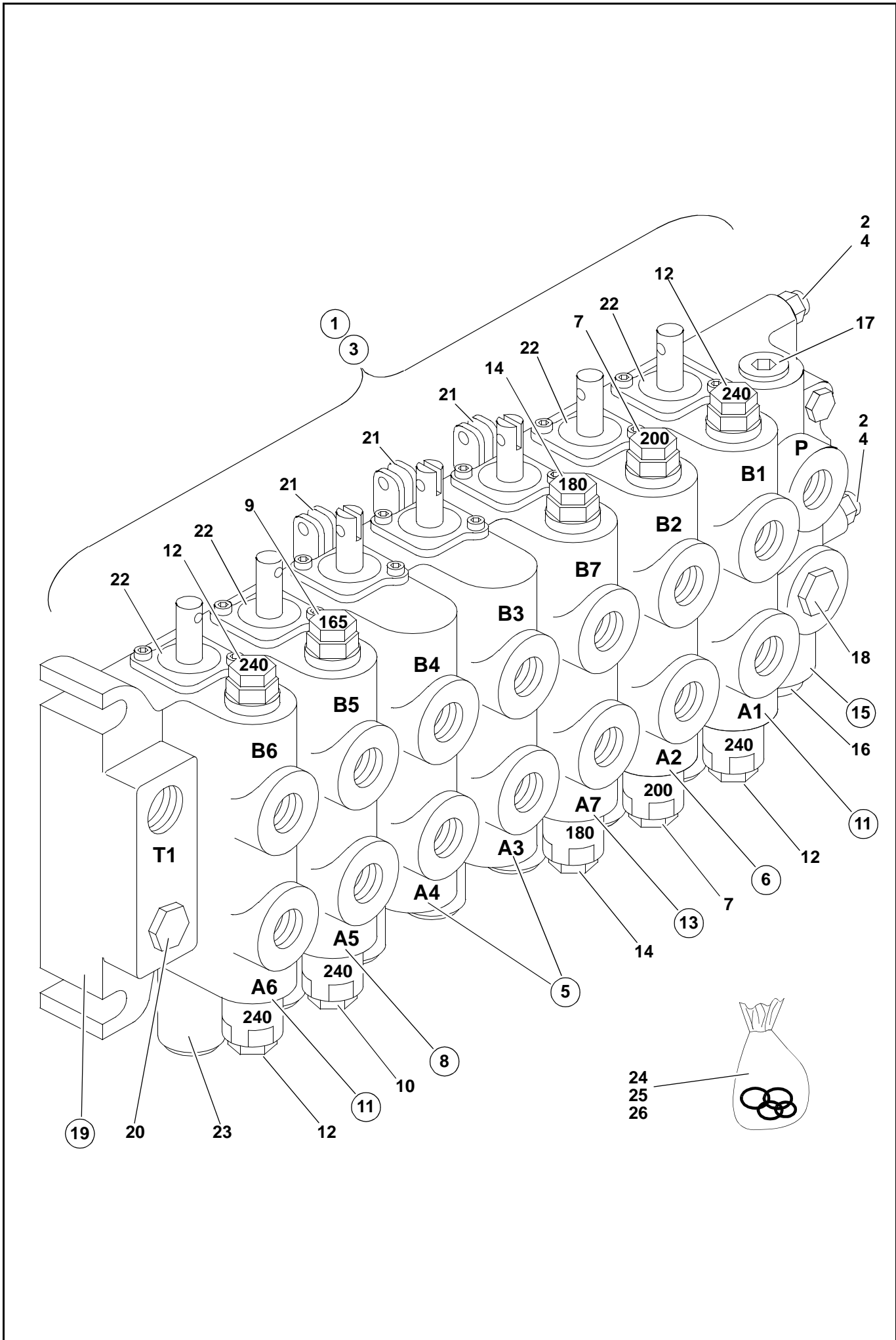
**Hauptgruppe**

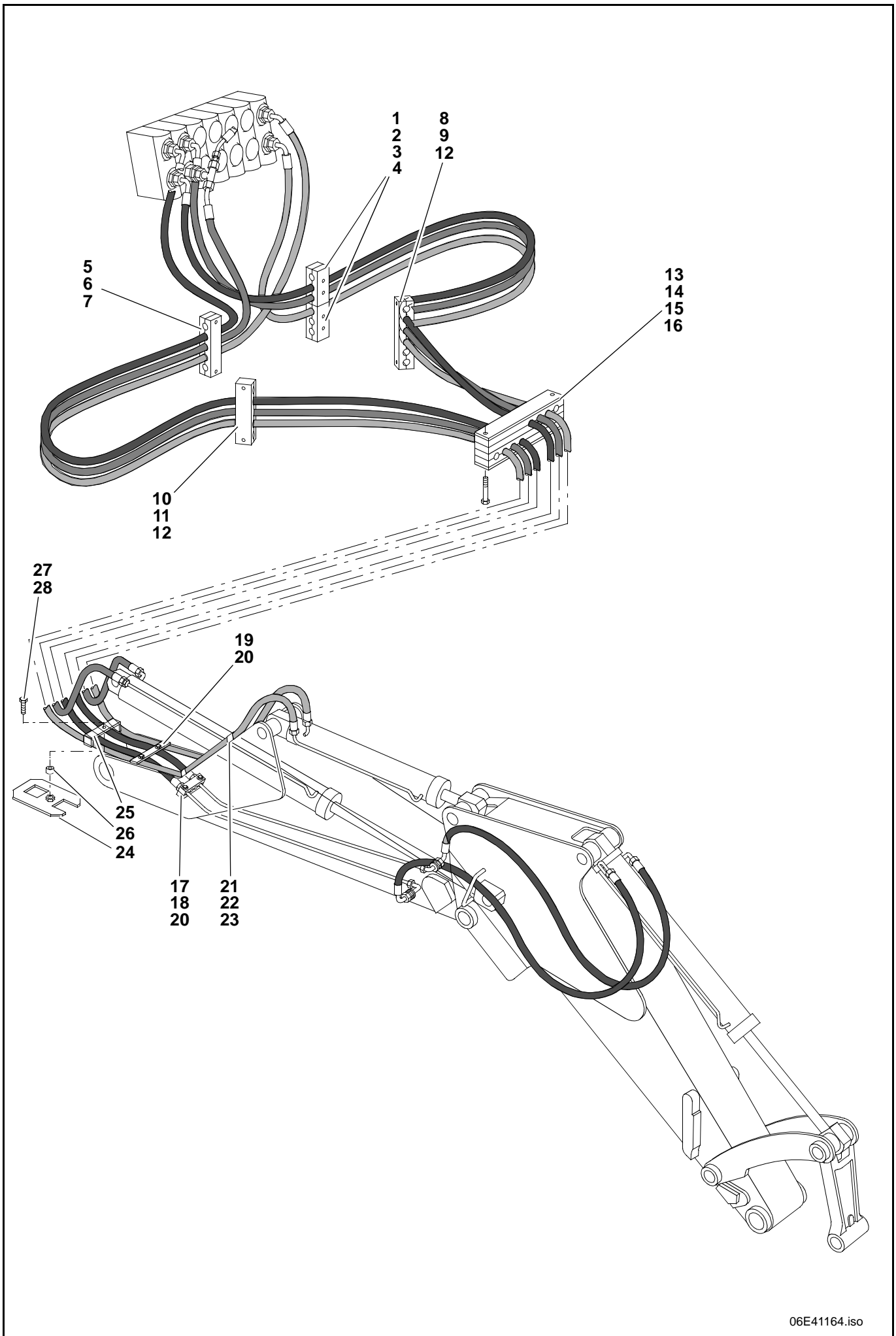
**00**

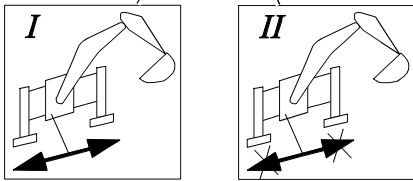
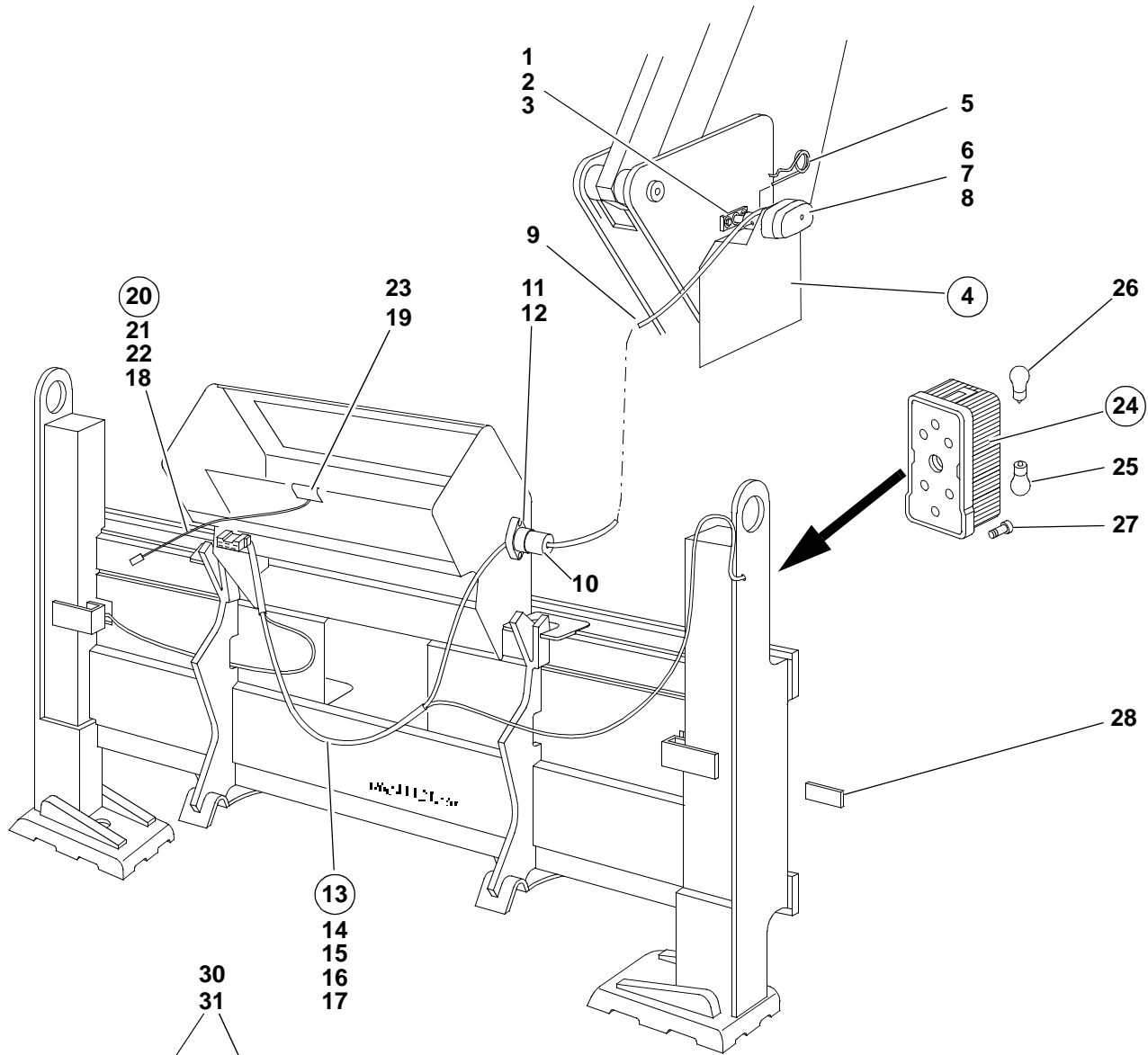
**Dichsätze**



06E41110.iso







**Bevor Tieflöffel in  
Transportstellung  
gebracht wird  
Scheibe schließen!**

# Kramer TB 45

CLICK HERE TO **DOWNLOAD** THE COMPLETE MANUAL

- Thank you very much for reading the preview of the manual.
- You can download the complete manual from: [www.heydownloads.com](http://www.heydownloads.com) by clicking the link below



- Please note: If there is no response to CLICKING the link, please download this PDF first and then click on it.

CLICK HERE TO **DOWNLOAD** THE COMPLETE MANUAL